

BOEING 707 **PARTS CATALOG (MAINTENANCE)**

CHAPTER 26 FIRE PROTECTION TABLE OF CONTENTS

SECTION	FIGURE
26-01 FIRE DETECTION	
AMPLIFIER INSTL, STATION 335 SMOKE DETECTOR CONTROL	50
DETECTION SYSTEM INSTL, UPPER CARGO COMPARTMENT SMOKE	21C
DETECTOR INSTL, ELECTRONIC SMOKE DETECTION SYSTEM	52
DETECTOR INSTL, FORWARD CARGO COMPARTMENT SMOKE	17
DETECTOR INSTL, KIDDE SHROUD ENGINE MOUNTED FIRE	14B
DETECTOR INSTL, KIDDE SHROUDED ENGINE MOUNTED FIRE	14B
DETECTOR INSTL, KIDDE SHROUDED INBOARD STRUT MOUNTED FIRE	15B
DETECTOR INSTL, KIDDE SHROUDED OUTBOARD STRUT MOUNTED FIRE	15B
DETECTOR INSTL, MAIN WHEEL WELL FIRE	25
DETECTOR SYSTEM INSTL, UPPER CARGO COMPARTMENT SMOKE	21E
EQUIPMENT INSTL, STATION 335 J5 ELECTRICAL	56
LIGHTSHIELD INSTL, PILOT AND COPILOT	28
MODULE INSTL, CAPTAINS AND FIRST OFFICERS	60
MODULE INSTL, P13 PILOTS OVERHEAD	38E
PANEL INSTL, FUEL TANK PROTECTION SYSTEM TEST	49E
SHIELD ASSY, STATION 300 J1 RELAY	29J
SHIELD ASSY, STATION 336 J4 RELAY	33
SUPPORT INSTL, MAIN WHEEL WELL FIRE DETECTOR	25
SUPPRESSOR INSTL, FUEL TANK PROTECTION SYSTEM	48
26-02 FIRE EXTINGUISHING	
BOTTLE INSTL, FIRE EXTINGUISHER	17
BOTTLE INSTL, FIRE EXTINGUISHER	40
EXTINGUISHER INSTL, LAVATORY	26
EXTINGUISHER INSTL, LAVATORY	27
FAIRING ASSY, NO. 2 INBOARD NACELLE STRUT TRAILING EDGE	23
FAIRING ASSY, NO. 3 INBOARD NACELLE STRUT TRAILING EDGE	23
INDICATOR ASSY, EXTINGUISHING AGENT THERMAL DISCHARGE	25
INDICATOR ASSY, SYSTEM DISCHARGE	24
PLUMBING INSTL, INBOARD NACELLE STRUT FIRE PROTECTION	7A
PLUMBING INSTL, OUTBOARD NACELLE STRUT FIRE PROTECTION	3A
SUPPORT INSTL, FIRE EXTINGUISHING BOTTLE	21
TUBING INSTL, SECTION 24 WING FIRE EXTINGUISHER	16
VALVE AND TUBING INSTL, NO. 2 STRUT FIRE EXTINGUISHER	13
VALVE AND TUBING INSTL, NO. 3 STRUT FIRE EXTINGUISHER	14

BOEING *707* *Intercontinental* 
PARTS CATALOG

SECTION 01
FIRE DETECTION

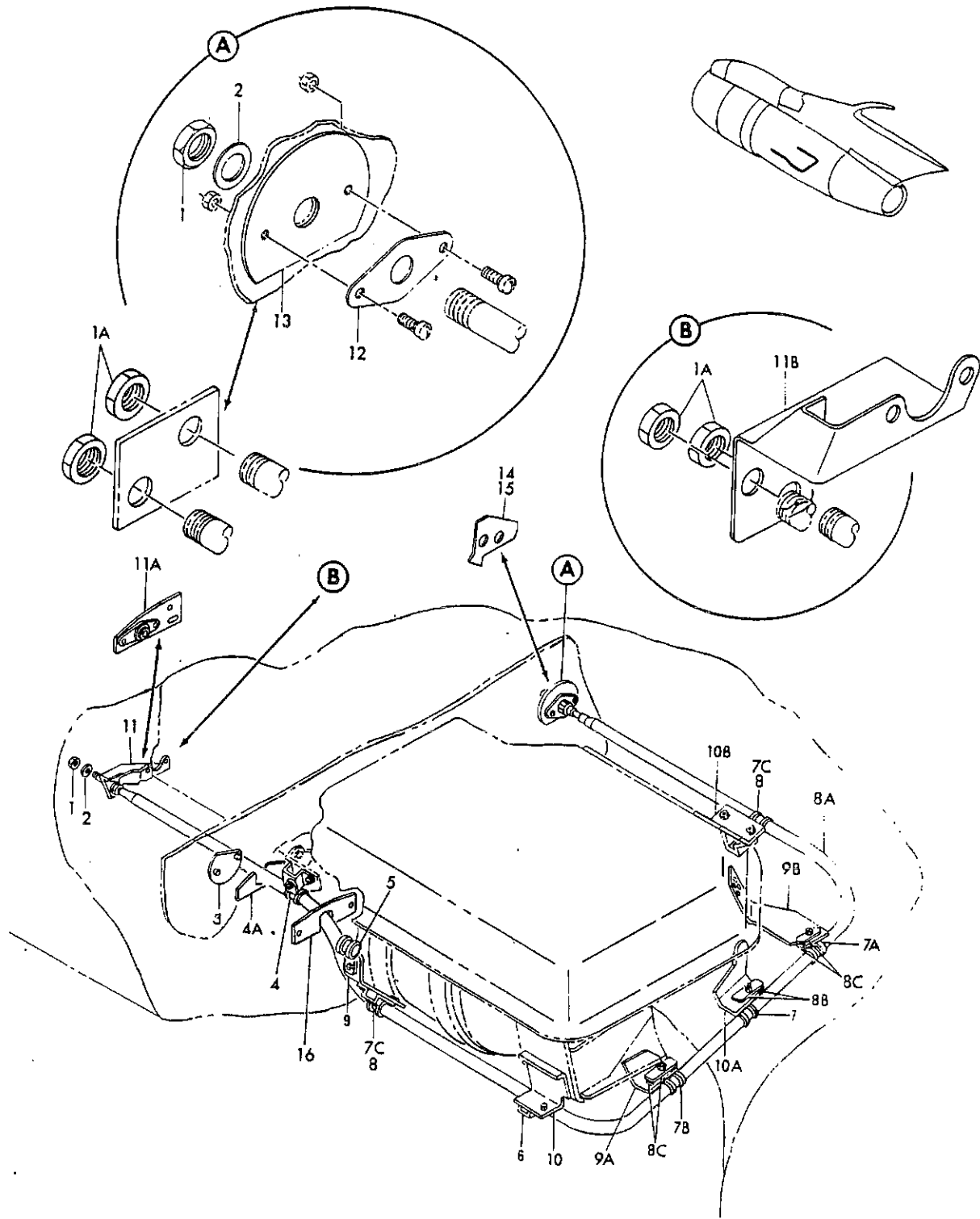


FIGURE 14B. DETECTOR INSTL, FENWALL AND KIDDE SHROUDED ENGINE MOUNTED FIRE



PARTS CATALOG

FIGURE & ITEM NO.	MANUFACTURER'S PART NUMBER	NOMENCLATURE							EFF FROM TO	UNITS PER ASSY	
		1	2	3	4	5	6	7			
R R R R	14B	65-43739-3	DETECTOR INSTL, KIDDE SHROUDED ENGINE MOUNTED FIRE (SEE 71-1, FIG. 5B, ITEM 43, 71-1, FIG. 5G, ITEM 52 AND 71-1, FIG. 5H, ITEM 44)							0151	RF
		65-43739-4	DETECTOR INSTL, KIDDE SHROUD ENGINE MOUNTED FIRE (SEE 71-1, FIG. 5G, ITEM 52 AND 71-1, FIG. 5H, ITEM 44)							5299	RF
	1	207865	. NUT, JAM (V33525)								2
	2	AN960-616L	. WASHER								2
	3	65-42335-2	. PLATE, LINDBERG SHROUDED ENGINE MOUNTED FIRE DETECTOR COVER (OPTIONAL 518517 (V77445))								1
	3	518517	. PLATE, LINDBERG SHROUDED ENGINE MOUNTED FIRE DETECTOR COVER (V77445) (OPTIONAL TO 65-42335-2)								1
		MS24674-7	ATTACHING PARTS								2
		NAS679C08W	. SCREW								2
			. NUT								2
	4	TA12100004	. CLAMP, (V84971) (OPTIONAL TA5000RH8AT)								1
4	TA5000RH8AT	. CLAMP, FLIP LOCK (V84971) (OPTIONAL TO TA12100004)								1	
	NAS603-6	ATTACHING PARTS							0150	1	
	NAS679A3W	. SCREW							0150	1	
		. NUT								1	
4A	69-34532-1	. BRACKET, ENGINE FIRE DETECTOR SUPPORT, (ADDED BY SB 2166)							0450	1	
5	BACC10EP8	. CLAMP							0103	1	
5	BACC10DDC8	. CLAMP, (ADDED BY SB 2166)							5151	1	
5	BACC10EP8	. CLAMP, (DELETED BY SB 2166)							0450	1	
	BACS12CK3U8	ATTACHING PARTS							0150	2	
	MS9033-06	. BOLT (OPTIONAL MS9033-06)							0150	2	
	NAS679C3W	. SCREW (OPTIONAL TO BACS12CK3U8)							0150	2	
		. NUT							0150	2	
7	65-42335-3	. CLAMP, LINDBERG (ADDED BY SB 2166)							0450	1	
	MS9033-06	ATTACHING PARTS							0450	1	
	NAS679C3W	. BOLT							0450	1	
		. NUT							0450	1	
7A	TA12100004	. CLAMP, (V84971) (OPTIONAL TA5000LH8AT)								1	
7A	TA5000LH8AT	. CLAMP, FLIP LOCK (V84971) (OPTIONAL TO TA12100004)								1	
7B	TA12100004	. CLAMP, (V84971) (OPTIONAL TA5000RH8AT)								1	
7B	TA5000RH8AT	. CLAMP, (V84971) (OPTIONAL TO TA12100004)								1	
	BACS12CK3U8	ATTACHING PARTS								2	
	MS9033-06	. SCREW (OPTIONAL MS9033-06)								2	
	MS9033-06	. BOLT (OPTIONAL TO BACS12CK3U8)								2	
	NAS679C3W	. NUT								2	
8	TA12100004	. CLAMP, (V84971) (OPTIONAL TA5000BH8AT)								1	
8	TA5000BH8AT	. CLAMP, FLIP LOCK (V84971) (OPTIONAL TO TA12100004)								2	
	MS9033-06	ATTACHING PARTS							0150	2	
	MS9033-06	. BOLT (OPTIONAL TO BACS12CK3U8)							5199	2	
	BACS12CK3U8	. BOLT (OPTIONAL TO BACS12CK3U8)							5199	2	
	BACS12CK3U8	. SCREW (OPTIONAL MS9033-06)							0150	2	
	BACS12CK3U8	. SCREW (OPTIONAL MS9033-06)							0150	2	
	NAS679C3W	. NUT								2	
8A	893178	. DETECTOR, CONTINUOUS SUPPORT FIRE (V33525) (DELETED BY SB 3236)							0151	1	
8A	897128	. DETECTOR, CONTINUOUS SUPPORT (V33525)							5299	1	
8A	897128	. DETECTOR, CONTINUOUS SUPPORT (V33525) (ADDED BY SB 3236)							0151	1	
8B	69-34532-8	. CLIP, SUPPORT BRACKET								2	
8C	69-34532-8	. CLIP								4	
9	69-38561-4	. BRACKET, ENGINE FIRE DETECTOR SUPPORT							0103	1	
9	69-34532-5	. BRACKET, ENGINE FIRE DETECTOR SUPPORT							5151	1	

MISSING ITEM NUMBERS ARE NOT APPLICABLE



PARTS CATALOG

R R R R R R	FIGURE & ITEM NO.		MANUFACTURER'S PART NUMBER							NOMENCLATURE	EFF FROM TO	UNITS PER ASSY
	1	2	3	4	5	6	7					
	14B	9	69-34532-5							. BRACKET, ENGINE FIRE DETECTOR SUPPORT, (ADDED BY SB 2166)	0450	1
		9	69-38561-4							. BRACKET, ENGINE FIRE DETECTOR SUPPORT, (DELETED BY SB 2166)	0450	1
		10	69-34532-2							. BRACKET, SUPPORT (ADDED BY SB 2166)	0450	1
		10A	69-34532-7							. BRACKET, SUPPORT (ADDED BY SB 2166)	0450	1
		10B	69-34532-4							. BRACKET, SUPPORT (ADDED BY SB 2166)	0450	1
		11	66-22330-9							. BRACKET ASSY, FAN ENGINE FIRE DETECTOR SUPPORT		1
		13	69-34532-6							. PLATE, ENGINE FIRE DETECTOR SUPPORT		1
			MS24674-8							ATTACHING PARTS . SCREW		2
			NAS679C08W							. NUT		2
										-----*		

MISSING ITEM NUMBERS ARE NOT APPLICABLE

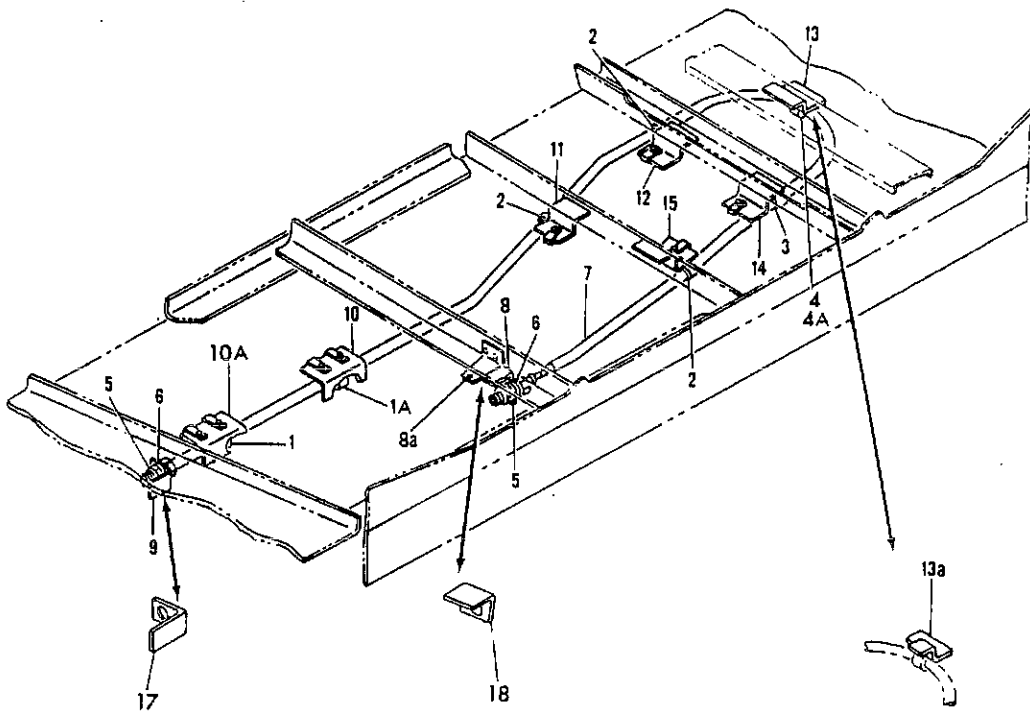
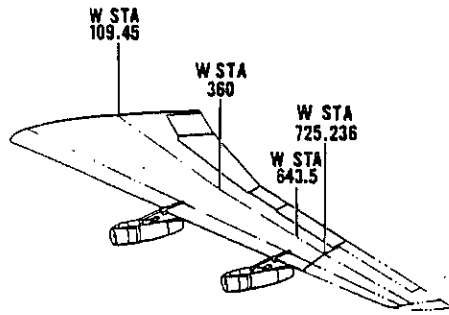


FIGURE 15B. DETECTOR INSTL, KIDNEY SHROUDED STRUT MOUNTED FIRE



PARTS CATALOG

FIGURE & ITEM NO.	MANUFACTURER'S PART NUMBER	NOMENCLATURE	EFF FROM TO	UNITS PER ASSY	
					1 2 3 4 5 6 7
R R R R R R R R R R R R R R R	15B 65-43740-2	DETECTOR INSTL, KIDDE SHROUDED OUTBOARD STRUT MOUNTED . FIRE (SEE 54-1, FIG. 6A, ITEM 11, 54-1, FIG. 6B, ITEM 10 AND 54-1, FIG. 6C, ITEM 14)	0151	RF	
	65-43740-1	DETECTOR INSTL, KIDDE SHROUDED INBOARD STRUT MOUNTED . FIRE (SEE 54-1, FIG. 21A, ITEM 11, 54-1, FIG. 21B, ITEM 10 AND 54-1, FIG. 21C, ITEM 21)	0151	RF	
	65-43740-3	DETECTOR INSTL, KIDDE SHROUDED INBOARD STRUT MOUNTED . FIRE (SEE 54-1, FIG. 21C, ITEM 21)	5299	RF	
	65-43740-4	DETECTOR INSTL, KIDDE SHROUDED OUTBOARD STRUT MOUNTED . FIRE (SEE 54-1, FIG. 6A, ITEM 11 AND 54-1, FIG. 6C, ITEM 14)	5299	RF	
	1	TA5000BH8AT NAS603-6 BACN10FX2	. CLAMP, (V84971) ATTACHING PARTS . SCREW NUT		2 4 4
	2	TA5000LH8AT MS9033-06 BACN10FX2	. CLAMP, (V84971) ATTACHING PARTS . BOLT NUT		3 3 3
	3	TA5000RH8AT MS9033-06 BACN10FX2	. CLAMP, (V84971) ATTACHING PARTS . BOLT NUT		1 1 1
	4	TA5000BH8AT MS9033-06 NAS679C3W	. CLAMP, (V84971) ATTACHING PARTS . BOLT NUT		1 2 2
	5	207865	. NUT, CONNECTOR (V33525)		2
	6	AN960-616L	. WASHER		2
	7	893177	. SUPPORT, FIRE DETECTOR CONTINUOUS (V33525) (DELETED BY SB 3236)		1
	7	897127	. SUPPORT, FIRE DETECTOR CONTINUOUS (V33525)	5299	1
	7	897127	. SUPPORT, FIRE DETECTOR CONTINUOUS (V33525) (ADDED BY SB 3236)		1
	8	66-22687-2 NAS623-3-7	. BRACKET ASSY, STRUT FIRE DETECTOR ATTACHING PARTS . SCREW		1 2
	8A	69-42418-1 NAS623-3-7	. BRACKET, WIRE SUPPORT (ADDED BY SB 2166) ATTACHING PARTS . SCREW, (ADDED BY SB 2166)	0450 0450	1 2
9	66-22687-1	. BRACKET ASSY, STRUT FIRE DETECTOR		1	
10	69-34531-1	. BRACKET, STRUT FIRE DETECTOR SUPPORT		1	
10A	69-34531-1	. BRACKET ASSY		1	
11	69-34531-6	. BRACKET, STRUT FIRE DETECTOR SUPPORT (USED ON 65-43740-2, -4)		1	
11	69-34531-7	. BRACKET, STRUT FIRE DETECTOR SUPPORT (USED ON 65-43740-1, -3)		1	
12	69-34531-4	. BRACKET, STRUT FIRE DETECTOR SUPPORT (USED ON 65-43740-2, -4)		1	
12	69-34531-5	. BRACKET, STRUT FIRE DETECTOR SUPPORT (USED ON 65-43740-1, -3)		1	
13	69-34598-3	. BRACKET, STRUT FIRE DETECTOR SUPPORT (USED ON 65-43740-2, -4)		1	
13A	69-34598-4	. BRACKET, STRUT FIRE DETECTOR SUPPORT (USED ON 65-43740-1, -3)		1	
14	69-34531-2	. BRACKET, STRUT FIRE DETECTOR SUPPORT (USED ON 65-43740-2, -4)		1	
14	69-34531-3	. BRACKET, STRUT FIRE DETECTOR SUPPORT (USED ON 65-43740-1, -3)		1	
15	69-34531-9	. BRACKET, STRUT FIRE DETECTOR SUPPORT (USED ON 65-43740-2, -4)		1	
15	69-34531-8	. BRACKET, STRUT FIRE DETECTOR SUPPORT (USED ON 65-43740-1, -3)		1	

MISSING ITEM NUMBERS ARE NOT APPLICABLE

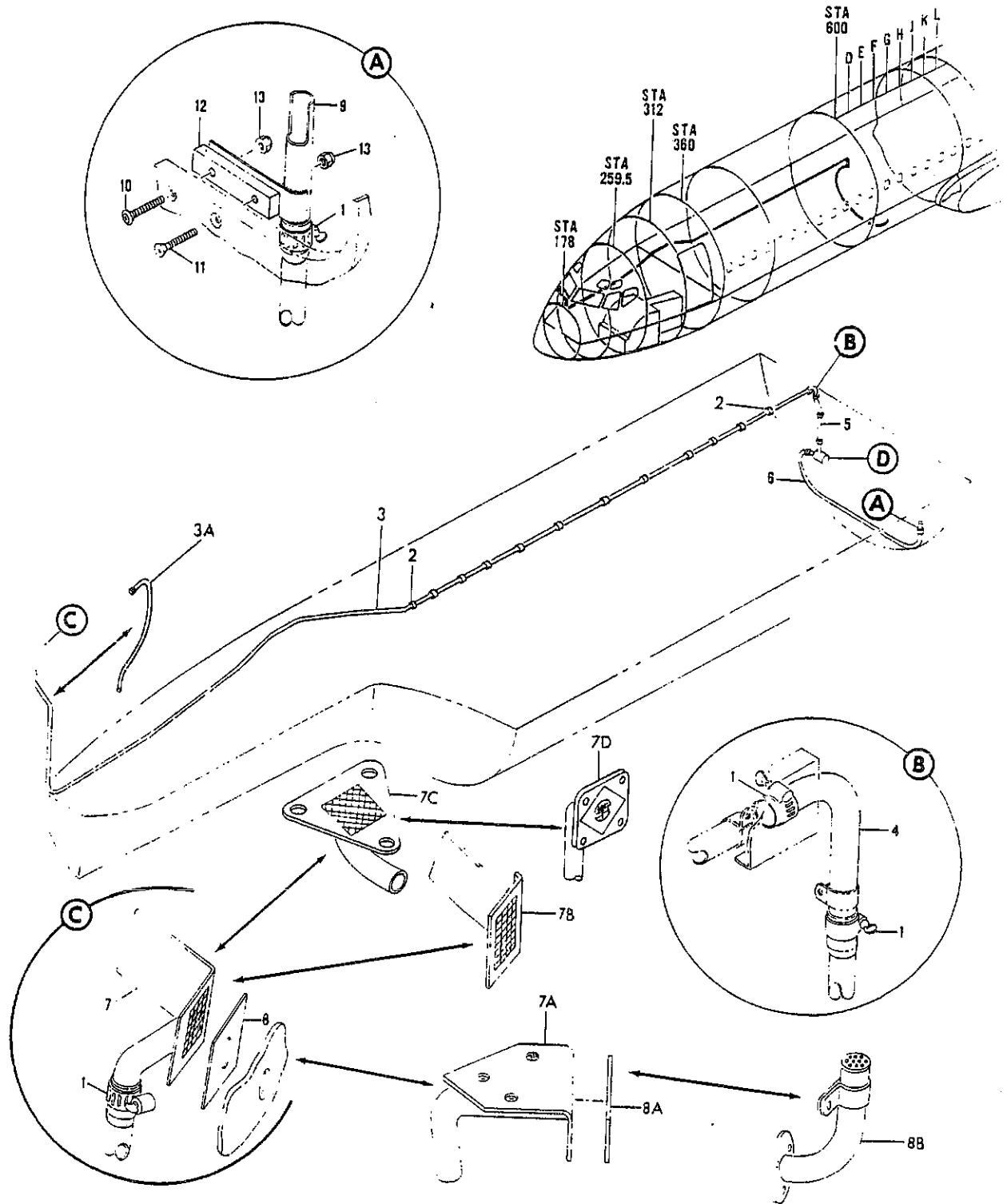


FIGURE 17. DETECTOR INSTL, FORWARD CARGO COMPARTMENT SMOKE (SHEET 1)

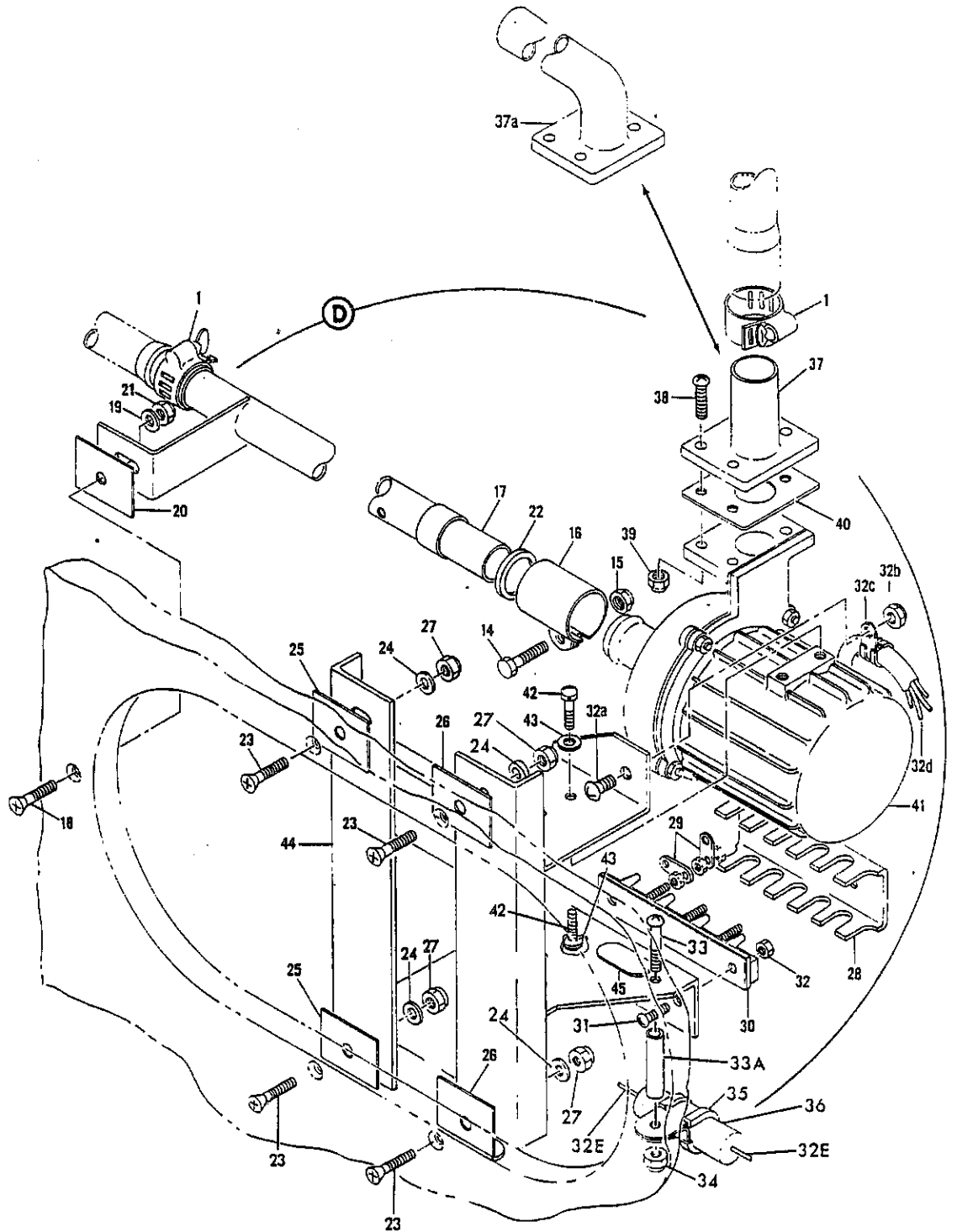


FIGURE 17. DETECTOR INSTL, FORWARD CARGO COMPARTMENT SMOKE (SHEET 2)



PARTS CATALOG

FIGURE & ITEM NO.	MANUFACTURER'S PART NUMBER	NOMENCLATURE	EFF	UNITS
			FROM TO	PER ASSY
17	65-8330	DETECTOR INSTL, FORWARD CARGO COMPARTMENT SMOKE (VARIABLE DWG NO. 65-8330-5001) (SEE 25-1, FIG. 3, ITEM 10)	5199	RF
1	AN737TW26	. CLAMP	5199	6
2	PD500	. CLAMP, SNAP IN TUBE (V02768).	5199	12
3A	65-8330-24	. TUBE	5199	1
4	66-8901	. TUBE, SMOKE DETECTOR.	5199	1
5	65-8330-12	. TUBE, FORWARD CARGO COMPARTMENT SMOKE DETECTOR.	5199	1
6	65-8330-6	. TUBE, FORWARD CARGO COMPARTMENT SMOKE DETECTOR.	5199	1
7C	69-53472-1	. SUPPORT ASSY, OUTLET.	5199	1
8	65-8330-9	. SEAL, SMOKE DETECTOR.	5199	1
9	66-8671	. END ASSY, SMOKE DETECTOR TUBE	5199	1
		ATTACHING PARTS		
10	BACCS12N10-20	. SCREW ASSY.	5199	1
11	NAS514P1032-20	. SCREW	5199	1
12	65-8330-26	. SPACER, SMOKE DETECTOR.	5199	1
13	NAS679A3W	. NUT	5199	2

13A	BACC10DK10	. CLAMP	5199	1
14	AN4DD6A	. BOLT	5199	1
15	NAS679A3W	. NUT	5199	1
16	AN741D7	. CLAMP	5199	1
17	66-8683	. INLET ASSY, SMOKE DETECTOR TUBE	5199	1
		ATTACHING PARTS		
18	NAS514P1032-14	. SCREW	5199	1
19	AN960-10	. WASHER.	5199	1
20	65-8330-4	. SPACER, SMOKE DETECTOR.	5199	1
21	NAS679A3W	. NUT	5199	1

22	65-8330-1	. WASHER, SMOKE DETECTOR.	5199	1
	65-8330-18	. BLOWER ASSY, SMOKE DETECTOR	5199	1
		ATTACHING PARTS		
23	NAS514P1032-14	. SCREW	5199	4
24	AN960-10	. WASHER.	5199	4
25	65-8330-4	. SPACER, SMOKE DETECTOR MOTOR SHOCK.	5199	2
26	65-8330-5	. SPACER, SMOKE DETECTOR MOTOR SHOCK.	5199	2
27	NAS679A3W	. NUT	5199	4

28	BACC50C19A	. COVER ASSY.	5199	1
29	36153	. TERMINAL, (V00779).	5199	6
30	MS27212-2-3	. TERMINAL BLOCK ASSY	5199	1
		ATTACHING PARTS		
31	NAS600-6	. SCREW	5199	2
32	NAS679A3W	. NUT	5199	2

32A	NAS603-7	. SCREW	5199	1
32B	NAS679A3W	. NUT	5199	1
32C	BACC10BH6RW	. CLAMP	5199	1
32D	65-8330-15	. TUBE, FORWARD CARGO COMPARTMENT SMOKE DETECTOR.	5199	4
		COVER		
32E	65-8330-16	. TUBE, FORWARD CARGO COMPARTMENT SMOKE DETECTOR.	5199	2
		COVER		
33	NAS603-20P	. SCREW	5199	1
33A	NAS43DD3-64	. SPACER.	5199	1
34	NAS679A3W	. NUT	5199	1
35	BACC10BH10RW	. CLAMP	5199	1
36	PM6P15	. CAPACITOR, MOLDED MYLAR TUBULAR (VI4655).	5199	1
		ATTACHING PARTS		
38	NAS603-10	. SCREW	5199	4
39	NAS679A3W	. NUT	5199	4

40	65-8330-8	. GASKET, SMOKE DETECTOR.	5199	1
41	AO-14025	. MOTOR, BLOWER TYPE (VB2877) 115 VOLT PHASE, 400 CPS BLOWER 201, MODEL R, RA2 (OPTIONAL AO-14025T (VB2877))	5199	1
41	AO-14025T	. MOTOR, BLOWER TYPE (VB2877) 115 VOLT PHASE, 400 CPS BLOWER 201, MODEL R, RA2 (OPTIONAL TO AO-14025 (VB2877))	5199	1
		ATTACHING PARTS		
42	AN503-B-4	. SCREW	5199	4
43	AN960DB	. WASHER.	5199	4

44	66-9056	. SUPPORT ASSY, SMOKE DETECTOR MOTOR.	5199	1
45	BACM10N00-2PP	. MARKER-ALUMINUM FOIL, 1	5199	1

MISSING ITEM NUMBERS ARE NOT APPLICABLE

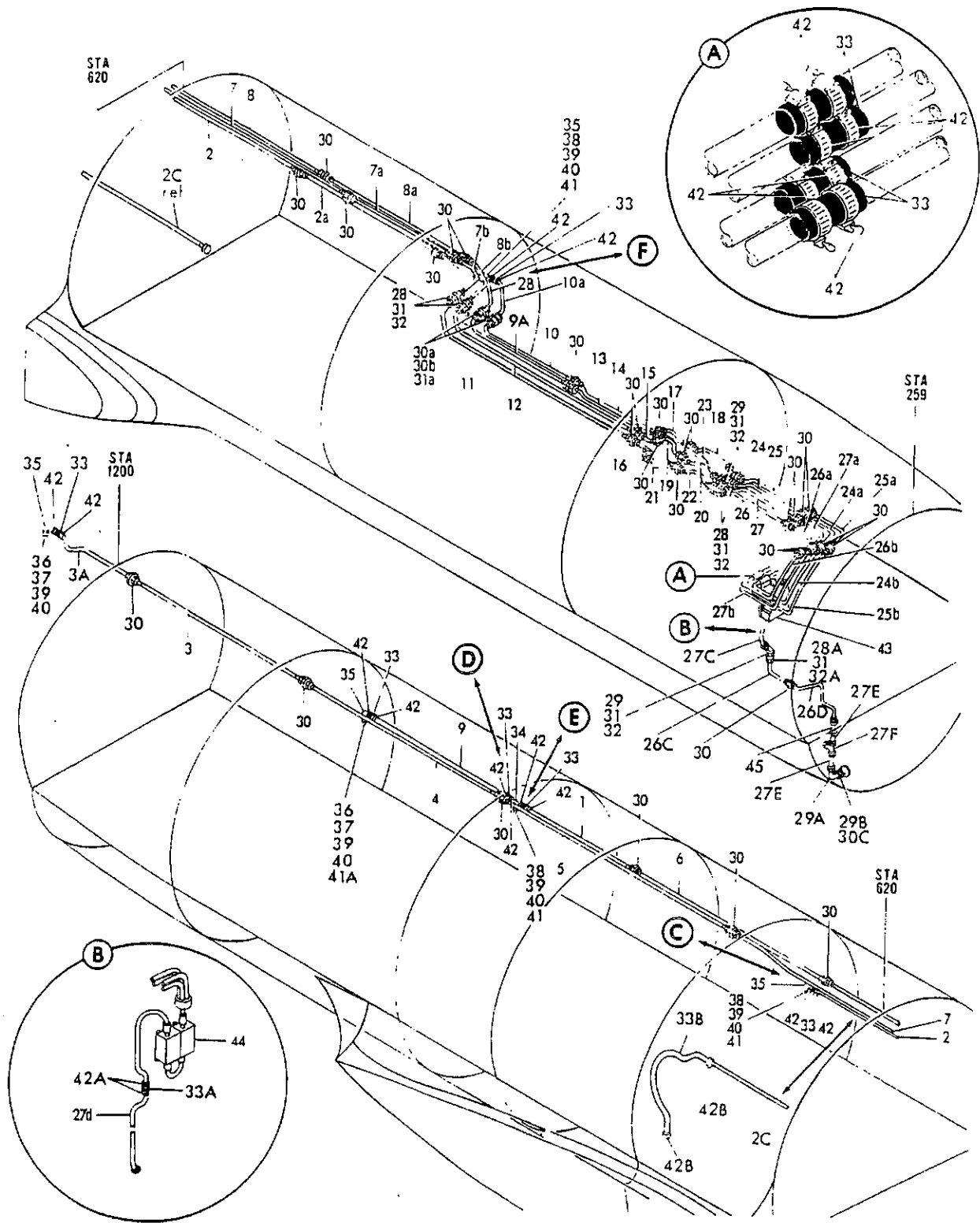


FIGURE 21C. DETECTION SYSTEM INSTL, UPPER CARGO COMPARTMENT SMOKE (SHEET 1)

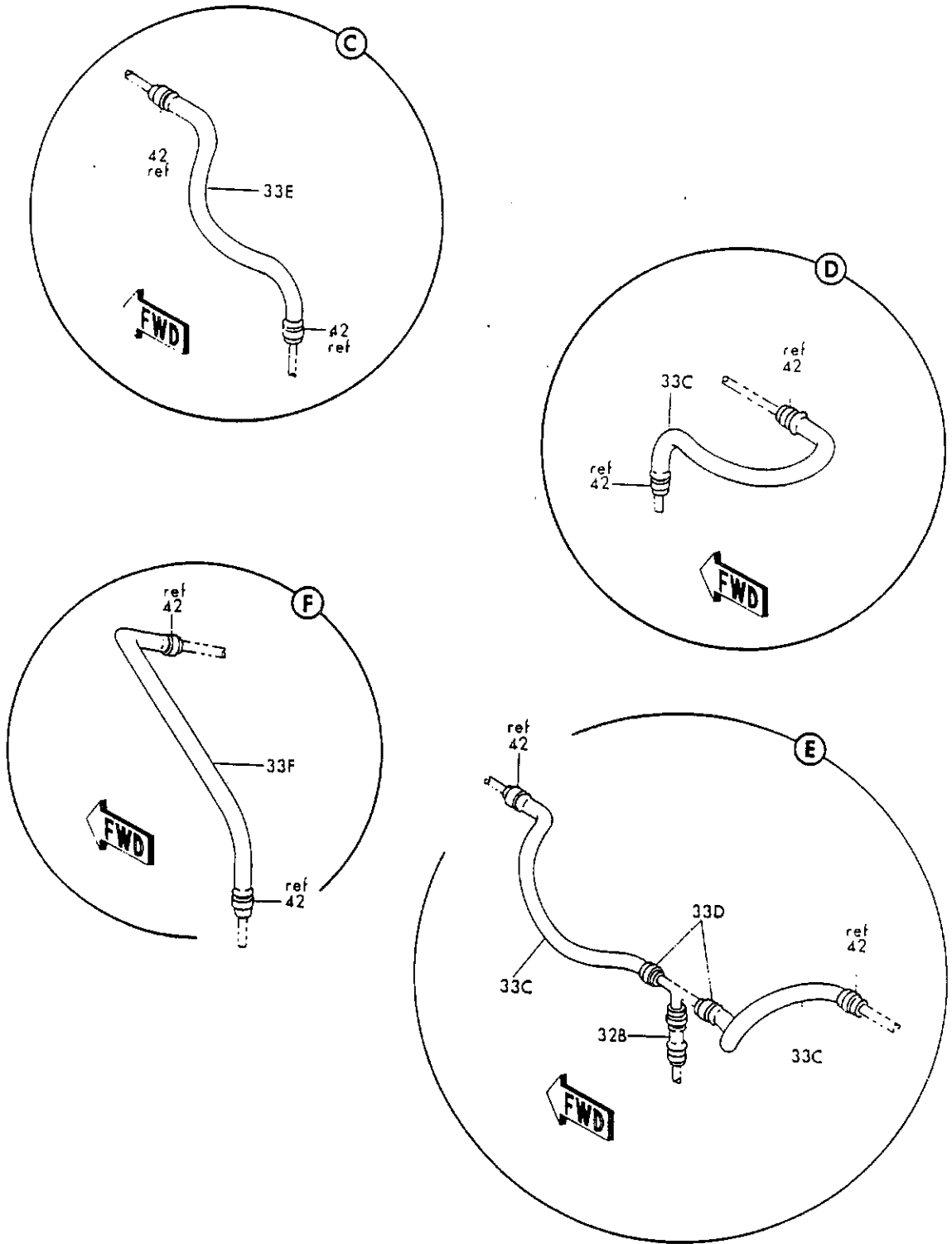


FIGURE 21C. DETECTION SYSTEM INSTL, UPPER CARGO COMPARTMENT SMOKE (SHEET 2)

NOV 21/90

26-01-21C

BOEING *Intercontinental* 
PARTS CATALOG

FIGURE & ITEM NO.	MANUFACTURER'S PART NUMBER	NOMENCLATURE	EFF	UNITS
			FROM TO	PER ASSY
21C	65-32249-163	DETECTION SYSTEM INSTL, UPPER CARGO COMPARTMENT SMOKE (SEE 21-2, FIG. 3, ITEM 8)	0150	RF
R	1	. TUBE ASSY, SMOKE DETECTION SYSTEM UPPER CARGO COMPARTMENT 3/8 IN. .028 6061-T6	0150	1
R	2	. TUBE ASSY, SMOKE DETECTION SYSTEM UPPER CARGO COMPARTMENT 3/8 IN. .028 6061-T6	0150	1
R	2A	. TUBE ASSY, SMOKE DETECTION SYSTEM UPPER CARGO COMPARTMENT 3/8 IN. .028 6061-T6	0150	1
R	2B	. TUBE ASSY, SMOKE DETECTION SYSTEM UPPER CARGO COMPARTMENT 3/8 IN. .028 6061-T6	0150	1
R	3	. TUBE ASSY, SMOKE DETECTION SYSTEM UPPER CARGO COMPARTMENT 3/8 IN. .028 6061-T6	0150	1
R	3A	. TUBE ASSY, SMOKE DETECTION SYSTEM UPPER CARGO COMPARTMENT 3/8 IN. .028 6061-T6	0150	1
R	4	. TUBE ASSY, SMOKE DETECTION SYSTEM UPPER CARGO COMPARTMENT 3/8 IN. .028 6061-T6	0150	1
R	5	. TUBE ASSY, SMOKE DETECTION SYSTEM UPPER CARGO COMPARTMENT 3/8 IN. .028 6061-T6	0150	1
R	6	. TUBE ASSY, SMOKE DETECTION SYSTEM UPPER CARGO COMPARTMENT 3/8 IN. .028 6061-T6	0150	1
R	7	. TUBE ASSY, SMOKE DETECTION SYSTEM UPPER CARGO COMPARTMENT 3/8 IN. .028 6061-T6	0150	1
R	7A	. TUBE ASSY, SMOKE DETECTION SYSTEM UPPER CARGO COMPARTMENT 3/8 IN. .028 6061-T6	0150	1
R	7B	. TUBE ASSY, SMOKE DETECTION SYSTEM UPPER CARGO COMPARTMENT 3/8 IN. .028 6061-T6	0150	1
R	8	. TUBE ASSY, SMOKE DETECTION SYSTEM UPPER CARGO COMPARTMENT 3/8 IN. .028 6061-T6	0150	1
R	8A	. TUBE ASSY, SMOKE DETECTION SYSTEM UPPER CARGO COMPARTMENT 3/8 IN. .028 6061-T6	0150	1
R	8B	. TUBE ASSY, SMOKE DETECTION SYSTEM UPPER CARGO COMPARTMENT 3/8 IN. .028 6061-T6	0150	1
R	9	. TUBE ASSY, SMOKE DETECTION SYSTEM UPPER CARGO COMPARTMENT 3/8 IN. .028 6061-T6	0150	1
R	9A	. TUBE ASSY, SMOKE DETECTION SYSTEM UPPER CARGO COMPARTMENT 3/8 IN. .028 6061-T6	0150	1
R	10	. TUBE ASSY, SMOKE DETECTION SYSTEM UPPER CARGO COMPARTMENT 3/8 IN. .028 6061-T6	0150	1
R	10A	. TUBE ASSY, SMOKE DETECTION SYSTEM UPPER CARGO COMPARTMENT 3/8 IN. .028 6061-T6	0150	1
R	11	. TUBE ASSY, SMOKE DETECTION SYSTEM UPPER CARGO COMPARTMENT 3/8 IN. .028 6061-T6	0150	1
R	12	. TUBE ASSY, SMOKE DETECTION SYSTEM UPPER CARGO COMPARTMENT 3/8 IN. .028 6061-T6	0150	1
R	13	. TUBE ASSY, SMOKE DETECTION SYSTEM UPPER CARGO COMPARTMENT 3/8 IN. .028 6061-T6	0150	1
R	14	. TUBE ASSY, SMOKE DETECTION SYSTEM UPPER CARGO COMPARTMENT 3/8 IN. .028 6061-T6	0150	1
R	15	. TUBE ASSY, SMOKE DETECTION SYSTEM UPPER CARGO COMPARTMENT 3/8 IN. .028 6061-T6	0150	1
R	16	. TUBE ASSY, SMOKE DETECTION SYSTEM UPPER CARGO COMPARTMENT 3/8 IN. .028 6061-T6	0150	1
R	17	. TUBE ASSY, SMOKE DETECTION SYSTEM UPPER CARGO COMPARTMENT 3/8 IN. .028 6061-T6	0150	1
R	18	. TUBE ASSY, SMOKE DETECTION SYSTEM UPPER CARGO COMPARTMENT 3/8 IN. .028 6061-T6	0150	1
R	19	. TUBE ASSY, SMOKE DETECTION SYSTEM UPPER CARGO COMPARTMENT 3/8 IN. .028 6061-T6	0150	1
R	20	. TUBE ASSY, SMOKE DETECTION SYSTEM UPPER CARGO COMPARTMENT 3/8 IN. .028 6061-T6	0150	1
R	21	. TUBE ASSY, SMOKE DETECTION SYSTEM UPPER CARGO COMPARTMENT 3/8 IN. .028 6061-T6	0150	1
R	22	. TUBE ASSY, SMOKE DETECTION SYSTEM UPPER CARGO COMPARTMENT 3/8 IN. .028 6061-T6	0150	1
R	23	. TUBE ASSY, SMOKE DETECTION SYSTEM UPPER CARGO COMPARTMENT 3/8 IN. .028 6061-T6	0150	1
R	24	. TUBE ASSY, SMOKE DETECTION SYSTEM UPPER CARGO COMPARTMENT 3/8 IN. .028 6061-T6	0150	1
R	24A	. TUBE ASSY, SMOKE DETECTION SYSTEM UPPER CARGO COMPARTMENT 3/8 IN. .028 6061-T6	0150	1
R	24B	. TUBE ASSY, SMOKE DETECTION SYSTEM UPPER CARGO COMPARTMENT 3/8 IN. .028 6061-T6	0150	1
R	25	. TUBE ASSY, SMOKE DETECTION SYSTEM UPPER CARGO COMPARTMENT 3/8 IN. .028 6061-T6	0150	1

MISSING ITEM NUMBERS ARE NOT APPLICABLE

26-01-21C

BOEING *Intercontinental* 
PARTS CATALOG

FIGURE & ITEM NO.	MANUFACTURER'S PART NUMBER	NOMENCLATURE	EFF FROM TO	UNITS PER ASSY
R 21C 25A	65-32249-97	. TUBE ASSY, SMOKE DETECTION SYSTEM UPPER CARGO COMPARTMENT 3/8 IN. .028 6061-T6	0150	1
R 25B	65-32249-164	. TUBE ASSY, SMOKE DETECTION SYSTEM UPPER CARGO COMPARTMENT 3/8 IN. .028 6061-T6	0150	1
R 26	65-32249-70	. TUBE ASSY, SMOKE DETECTION SYSTEM UPPER CARGO COMPARTMENT 3/8 IN. .028 6061-T6	0150	1
R 26A	65-32249-68	. TUBE ASSY, SMOKE DETECTION SYSTEM UPPER CARGO COMPARTMENT 3/8 IN. .028 6061-T6	0150	1
R 26B	65-32249-167	. TUBE ASSY, SMOKE DETECTION SYSTEM UPPER CARGO COMPARTMENT 3/8 IN. .028 6061-T6	0150	1
R 26C	65-32249-169	. TUBE ASSY, SMOKE DETECTION SYSTEM UPPER CARGO COMPARTMENT 3/8 IN. .028 6061-T6	0150	1
R 26D	65-32249-170	. TUBE ASSY, SMOKE DETECTION SYSTEM UPPER CARGO COMPARTMENT 3/8 IN. .028 6061-T6	0150	1
R 27	65-32249-69	. TUBE ASSY, SMOKE DETECTION SYSTEM UPPER CARGO COMPARTMENT 3/8 IN. .028 6061-T6	0150	1
R 27A	65-32249-67	. TUBE ASSY, SMOKE DETECTION SYSTEM UPPER CARGO COMPARTMENT 3/8 IN. .028 6061-T6	0150	1
R 27B	65-32249-166	. TUBE ASSY, SMOKE DETECTION SYSTEM UPPER CARGO COMPARTMENT 3/8 IN. .028 6061-T6	0150	1
R 27D	65-32249-183	. TUBE ASSY, SMOKE DETECTION SYSTEM UPPER CARGO COMPARTMENT 3/8 IN. .028 6061-T6	0150	1
R	MS21921D6 NUT, (NOT USED ON 65-32249-96).	0150	1
R	MS21921D6 NUT, (NOT USED ON 65-32249-5, -7, -11, -96, -99, -164, -165, -166 AND -167)	0150	1
R	BACS13AP6 SLEEVE, (NOT USED ON 65-32249-96)	0150	1
R	BACS13AP6 SLEEVE, (NOT USED ON 65-32249-5, -7, -11, -96, -99, -164, -165, -166 AND -167)	0150	1
R 27E	65-32249-157	. TUBE ASSY, SMOKE DETECTION SYSTEM UPPER CARGO COMPARTMENT 5/8 IN. .035 6061-T6	0150	2
R	MS21921D10 NUT	0150	2
R	BACS13AP10 SLEEVE	0150	2
R 27F	ER824D101006 TEE, (V92003)	0150	1
R 28	MS21924D6 UNION	0150	4
R 28A	MS21924-6D UNION	0150	1
R 29	MS21907D6 ELBOW	0150	3
R 29A	MS21908D10 ELBOW	0150	1
R 29B	MS28778-10 PACKING	0150	1
R 30	MS21902D6 UNION	0150	32
R 30A	MS21912D5 UNION	0150	2
R 30B	AN924D5 NUT	0150	2
R 30C	AN924-10D NUT	0150	1
R 31	AN924-6D NUT	0150	8
R 31A	AN960PD816 WASHER	0150	2
R 32	AN960PD916 WASHER	0150	7
R 32A	AN960PD916L WASHER	0150	1
R 32B	65-32249-33 HOSE	0150	3
R 33	65-32249-33 HOSE	0150	7
R 33A	65-32249-33 HOSE	0150	1
R 34	69-25629-9	. TUBE ASSY, SMOKE DETECTION SYSTEM 3/8 IN. .028. 6061-T6	0150	1
R 35	69-25629-8	. TUBE ASSY, SMOKE DETECTION SYSTEM 3/8 IN. .028. 6061-T6	0150	4
R 36	BACC10DK6 CLAMP	0150	2
R 37	AN743-13 CLAMP	0150	2
R 38	AN735D36 CLAMP	0150	3
R 39	NAS679A3W NUT	0150	5
R 40	NAS603-8 SCREW	0150	5
R 41	AN960PD10L WASHER	0150	3
R 41A	NAS816-29 PLUG	0150	1
R 42	AN737TW26 CLAMP	0150	20
R 42A	AN737TW26 CLAMP	0150	2
R 44	65-58782-3	. DETECTOR INSTL, ELECTRONIC SMOKE DETECTION SYSTEM (SEE FIG. 52)	0150	1
R 45	69-29130-2	. VENTURI, SMOKE DETECTOR SYSTEM.	0150	1

MISSING ITEM NUMBERS ARE NOT APPLICABLE

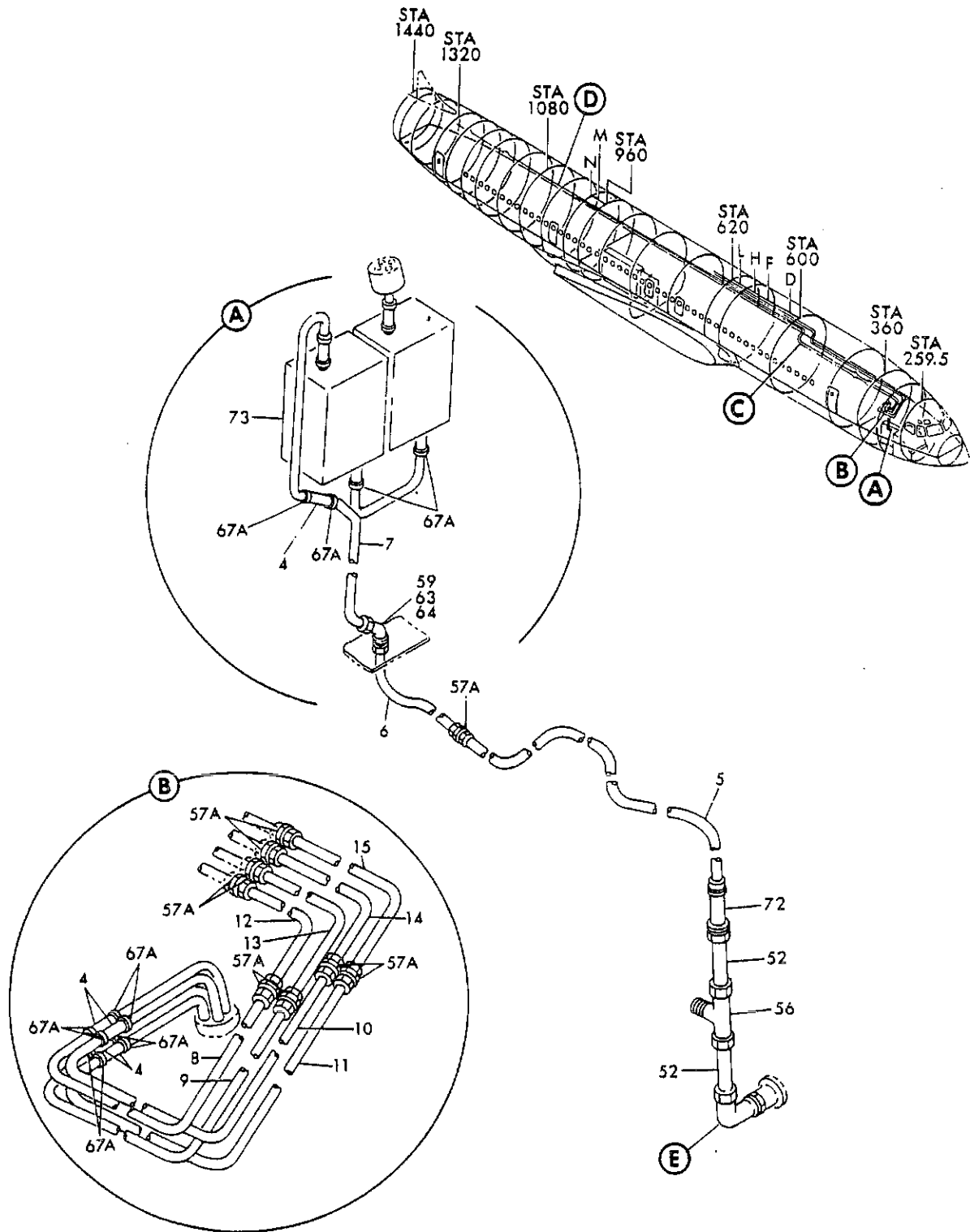


FIGURE 21E. DETECTOR SYSTEM INSTL, UPPER CARGO COMPARTMENT SMOKE (SHEET 1)

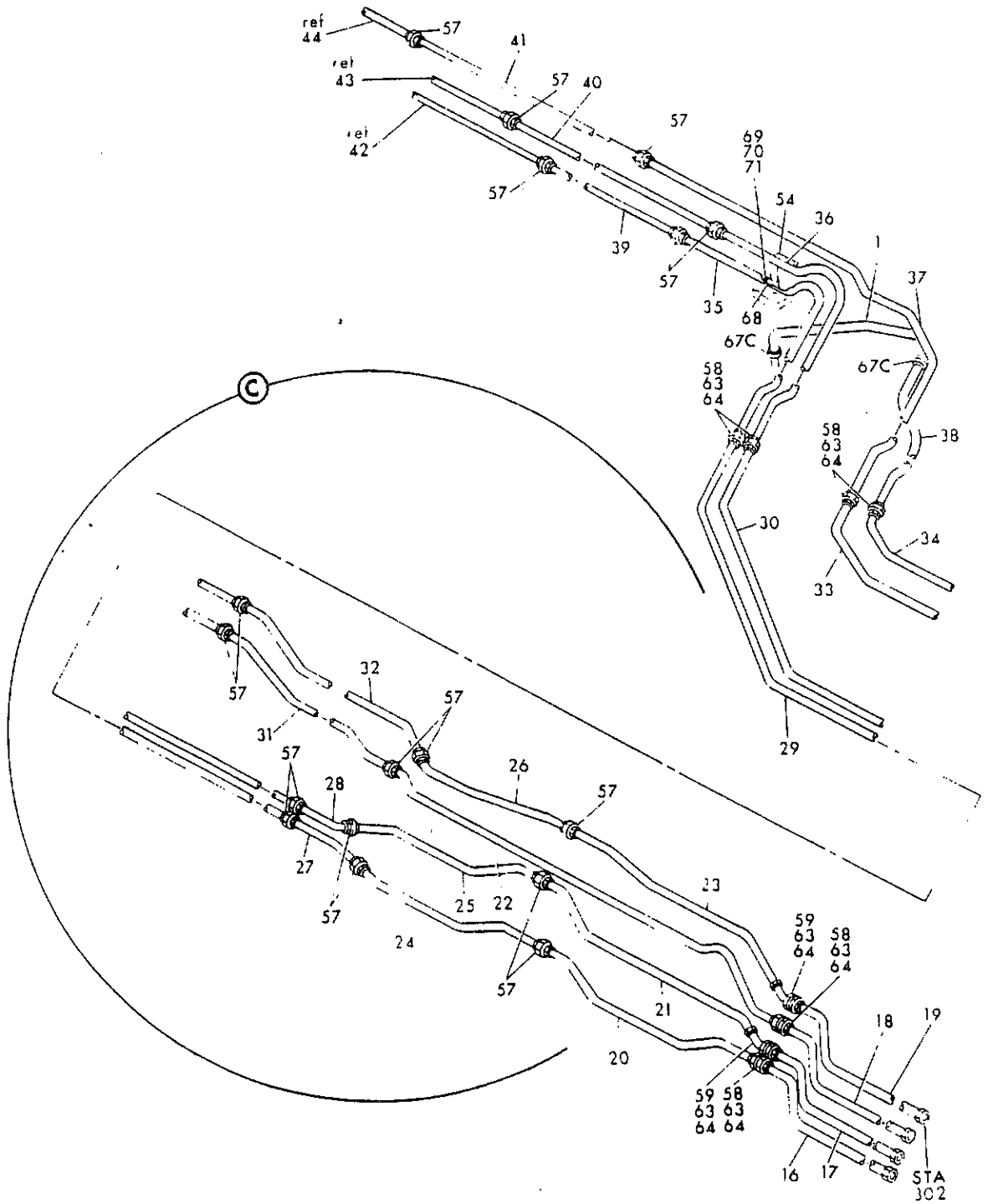


FIGURE 21E. DETECTOR SYSTEM INSTL, UPPER CARGO COMPARTMENT SMOKE (SHEET 2)

NOV 21/90

26-01-21E

DETAILED PARTS LIST
26-01-21E
PAGE 1

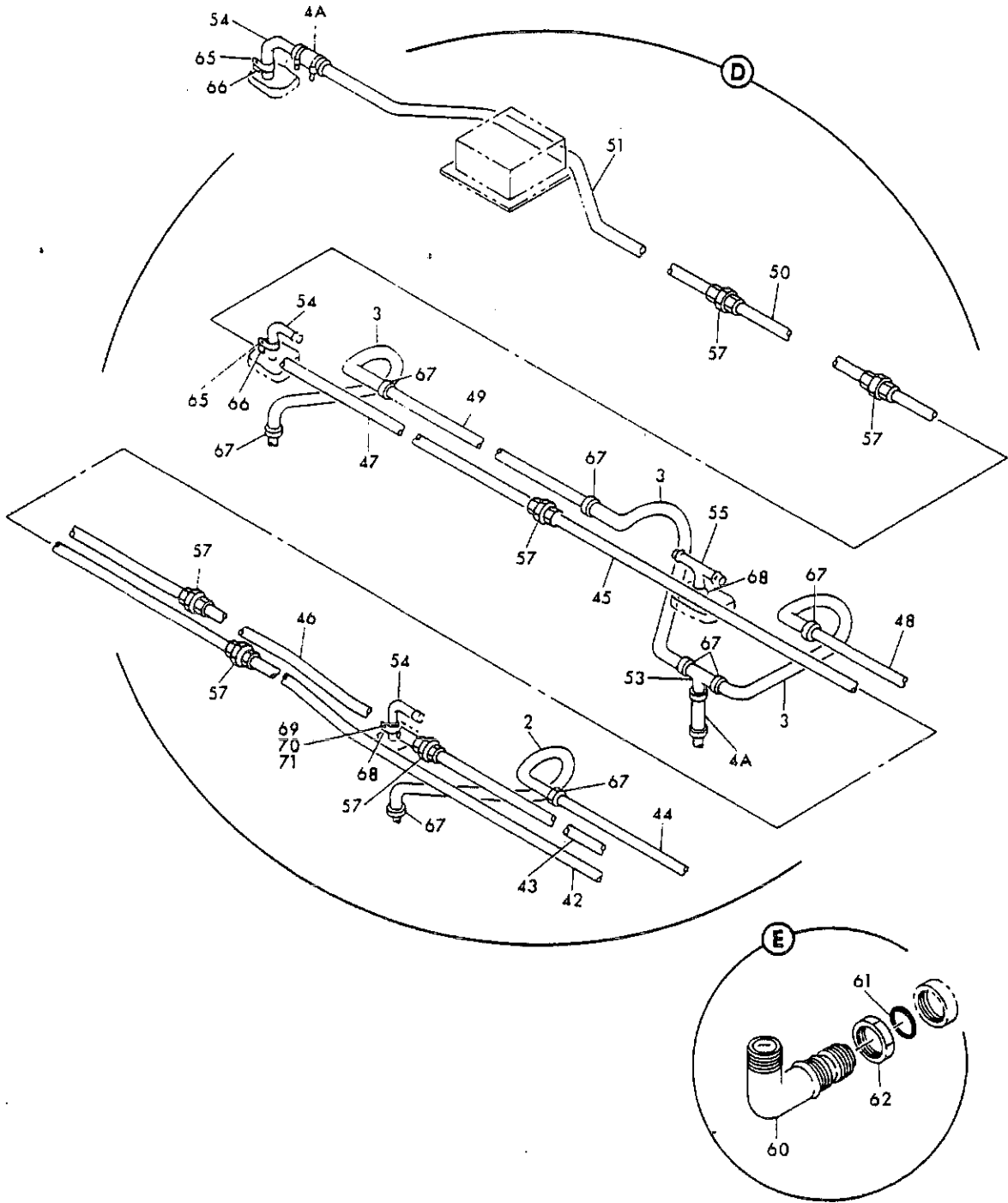


FIGURE 21E. DETECTOR SYSTEM INSTL, UPPER CARGO COMPARTMENT SMOKE (SHEET 3)



PARTS CATALOG

FIGURE & ITEM NO.	MANUFACTURER'S PART NUMBER	NOMENCLATURE	EFF	UNITS
			FROM TO	PER ASSY
21E	65-32249-193	DETECTOR SYSTEM INSTL, UPPER CARGO COMPARTMENT SMOKE. . (SEE 21-2, FIG. 3, ITEM 8)	5199	RF
1	65-32249-190	. HOSE.	5199	1
2	65-32249-191	. HOSE.	5199	1
3	65-32249-192	. HOSE.	5199	3
4	65-32249-33	. HOSE.	5199	5
4A	65-32249-33	. HOSE.	5199	2
5	65-32249-181	. TUBE ASSY, SMOKE DETECTION SYSTEM UPPER CARGO COMPARTMENT 3/8 IN. .028 6061-T6	5199	1
6	65-32249-169	. TUBE ASSY, SMOKE DETECTION SYSTEM UPPER CARGO COMPARTMENT 3/8 IN. .028 6061-T6	5199	1
7	65-32249-183	. TUBE ASSY, SMOKE DETECTION SYSTEM UPPER CARGO COMPARTMENT 3/8 IN. .028 6061-T6	5199	1
8	65-32249-167	. TUBE ASSY, SMOKE DETECTION SYSTEM UPPER CARGO COMPARTMENT 3/8 IN. .028 6061-T6	5199	1
9	65-32249-166	. TUBE ASSY, SMOKE DETECTION SYSTEM UPPER CARGO COMPARTMENT 3/8 IN. .028 6061-T6	5199	1
10	65-32249-165	. TUBE ASSY, SMOKE DETECTION SYSTEM UPPER CARGO COMPARTMENT 3/8 IN. .028 6061-T6	5199	1
11	65-32249-164	. TUBE ASSY, SMOKE DETECTION SYSTEM UPPER CARGO COMPARTMENT 3/8 IN. .028 6061-T6	5199	1
12	65-32249-68	. TUBE ASSY, SMOKE DETECTION SYSTEM UPPER CARGO COMPARTMENT 3/8 IN. .028 6061-T6	5199	1
13	65-32249-67	. TUBE ASSY, SMOKE DETECTION SYSTEM UPPER CARGO COMPARTMENT 3/8 IN. .028 6061-T6	5199	1
14	65-32249-98	. TUBE ASSY, SMOKE DETECTION SYSTEM UPPER CARGO COMPARTMENT 3/8 IN. .028 6061-T6	5199	1
15	65-32249-97	. TUBE ASSY, SMOKE DETECTION SYSTEM UPPER CARGO COMPARTMENT 3/8 IN. .028 6061-T6	5199	1
16	65-32249-70	. TUBE ASSY, SMOKE DETECTION SYSTEM UPPER CARGO COMPARTMENT 3/8 IN. .028 6061-T6	5199	1
17	65-32249-69	. TUBE ASSY, SMOKE DETECTION SYSTEM UPPER CARGO COMPARTMENT 3/8 IN. .028 6061-T6	5199	1
18	65-32249-85	. TUBE ASSY, SMOKE DETECTION SYSTEM UPPER CARGO COMPARTMENT 3/8 IN. .028 6061-T6	5199	1
19	65-32249-84	. TUBE ASSY, SMOKE DETECTION SYSTEM UPPER CARGO COMPARTMENT 3/8 IN. .028 6061-T6	5199	1
20	65-32249-80	. TUBE ASSY, SMOKE DETECTION SYSTEM UPPER CARGO COMPARTMENT 3/8 IN. .028 6061-T6	5199	1
21	65-32249-76	. TUBE ASSY, SMOKE DETECTION SYSTEM UPPER CARGO COMPARTMENT 3/8 IN. .028 6061-T6	5199	1
22	65-32249-74	. TUBE ASSY, SMOKE DETECTION SYSTEM UPPER CARGO COMPARTMENT 3/8 IN. .028 6061-T6	5199	1
23	65-32249-71	. TUBE ASSY, SMOKE DETECTION SYSTEM UPPER CARGO COMPARTMENT 3/8 IN. .028 6061-T6	5199	1
24	65-32249-81	. TUBE ASSY, SMOKE DETECTION SYSTEM UPPER CARGO COMPARTMENT 3/8 IN. .028 6061-T6	5199	1
25	65-32249-77	. TUBE ASSY, SMOKE DETECTION SYSTEM UPPER CARGO COMPARTMENT 3/8 IN. .028 6061-T6	5199	1
26	65-32249-72	. TUBE ASSY, SMOKE DETECTION SYSTEM UPPER CARGO COMPARTMENT 3/8 IN. .028 6061-T6	5199	1
27	65-32249-82	. TUBE ASSY, SMOKE DETECTION SYSTEM UPPER CARGO COMPARTMENT 3/8 IN. .028 6061-T6	5199	1
28	65-32249-78	. TUBE ASSY, SMOKE DETECTION SYSTEM UPPER CARGO COMPARTMENT 3/8 IN. .028 6061-T6	5199	1
29	65-32249-83	. TUBE ASSY, SMOKE DETECTION SYSTEM UPPER CARGO COMPARTMENT 3/8 IN. .028 6061-T6	5199	1
30	65-32249-79	. TUBE ASSY, SMOKE DETECTION SYSTEM UPPER CARGO COMPARTMENT 3/8 IN. .028 6061-T6	5199	1
31	65-32249-75	. TUBE ASSY, SMOKE DETECTION SYSTEM UPPER CARGO COMPARTMENT 3/8 IN. .028 6061-T6	5199	1
32	65-32249-73	. TUBE ASSY, SMOKE DETECTION SYSTEM UPPER CARGO COMPARTMENT 3/8 IN. .028 6061-T6	5199	1
33	65-32249-14	. TUBE ASSY, SMOKE DETECTION SYSTEM UPPER CARGO COMPARTMENT 3/8 IN. .028 6061-T6	5199	1
34	65-32249-13	. TUBE ASSY, SMOKE DETECTION SYSTEM UPPER CARGO COMPARTMENT 3/8 IN. .028 6061-T6	5199	1
35	65-32249-90	. TUBE ASSY, SMOKE DETECTION SYSTEM UPPER CARGO COMPARTMENT 3/8 IN. .028 6061-T6	5199	1
36	65-32249-89	. TUBE ASSY, SMOKE DETECTION SYSTEM UPPER CARGO COMPARTMENT 3/8 IN. .028 6061-T6	5199	1
37	65-32249-88	. TUBE ASSY, SMOKE DETECTION SYSTEM UPPER CARGO COMPARTMENT 3/8 IN. .028 6061-T6	5199	1

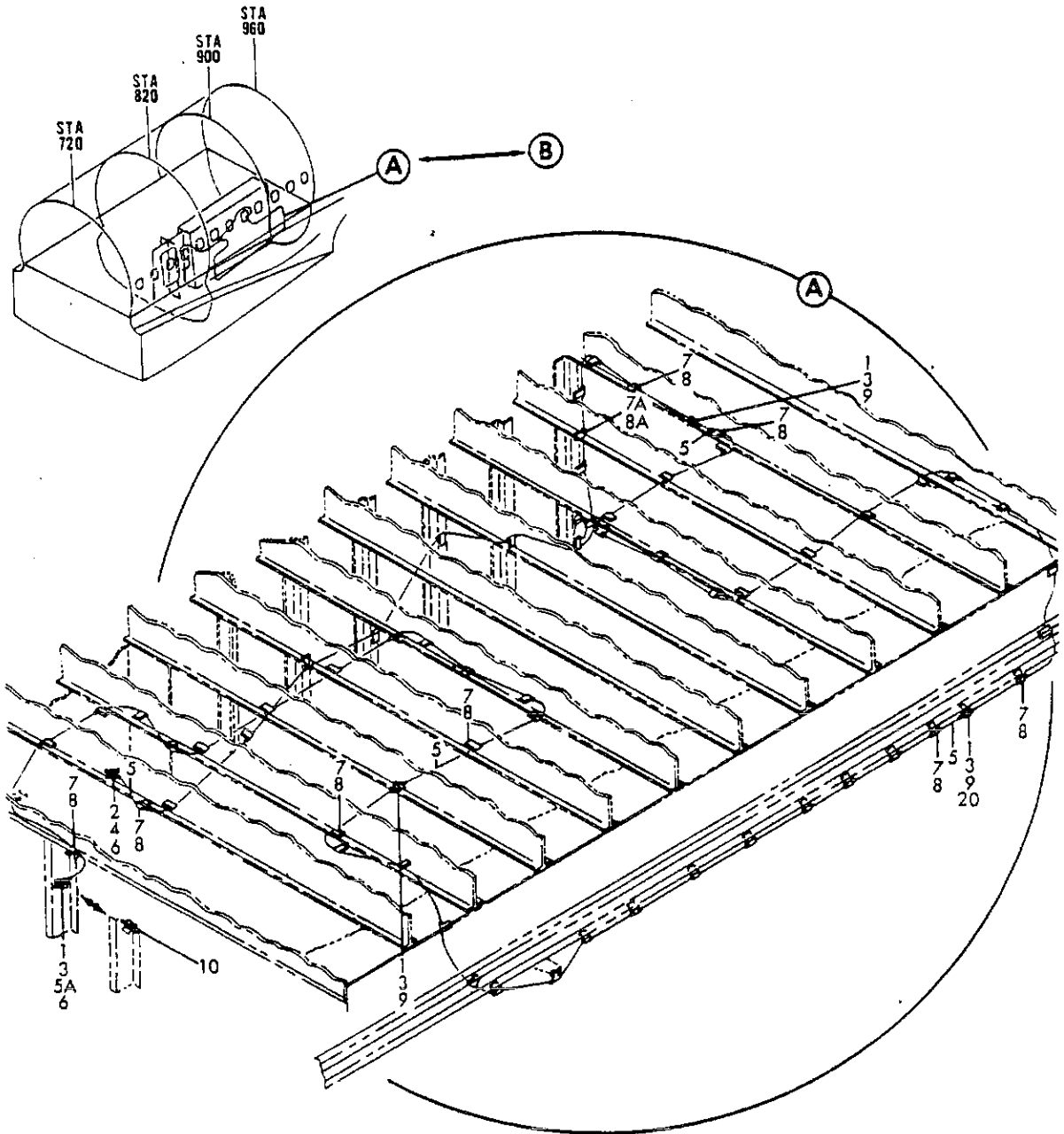
MISSING ITEM NUMBERS ARE NOT APPLICABLE



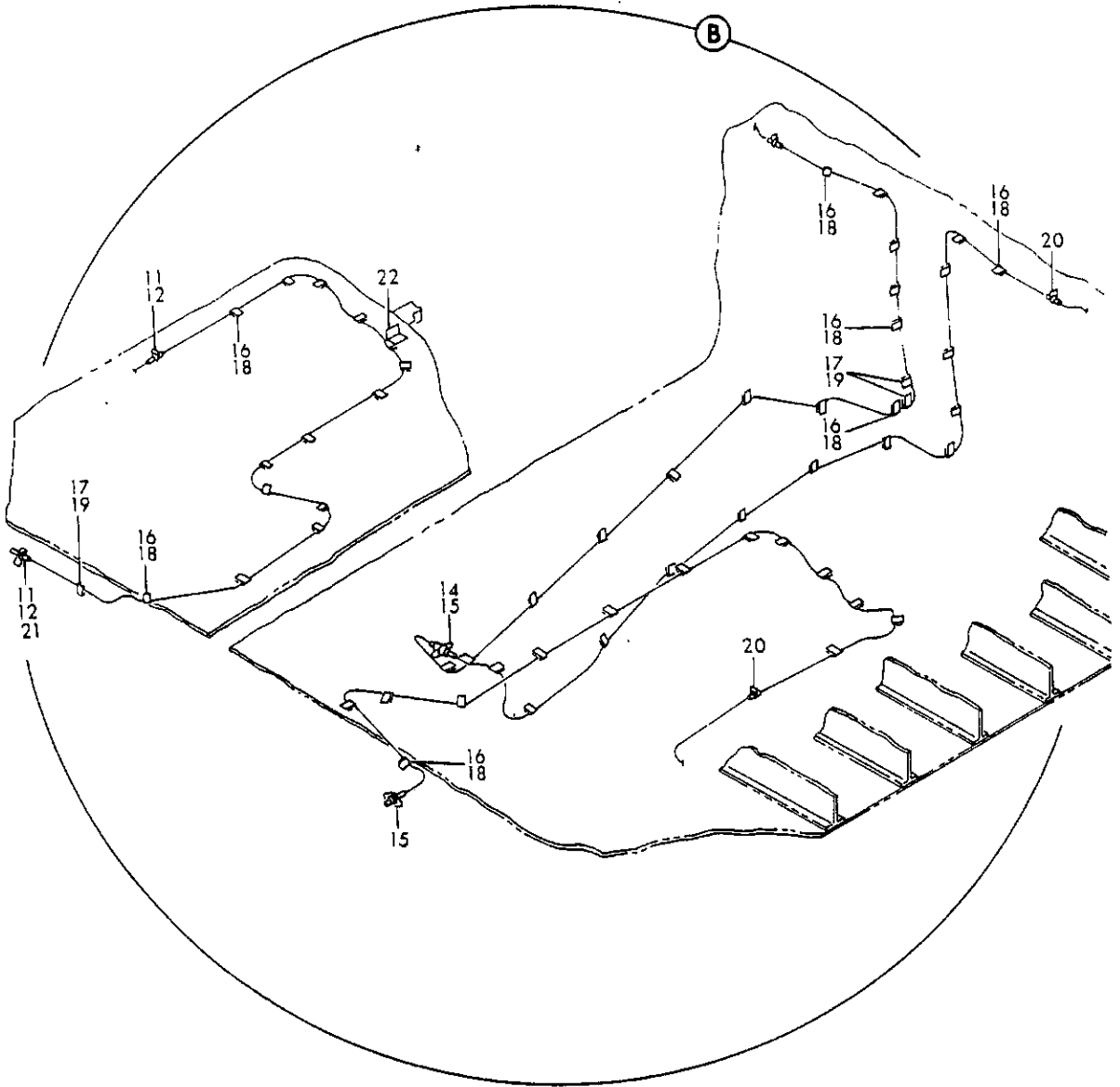
PARTS CATALOG

FIGURE & ITEM NO.	MANUFACTURER'S PART NUMBER	NOMENCLATURE							EFF FROM TO	UNITS PER ASSY
		1	2	3	4	5	6	7		
21E 38	65-32249-186	. TUBE ASSY, SMOKE DETECTION SYSTEM UPPER CARGO							5199	1
		COMPARTMENT 3/8 IN. .028 6061-T6								
39	65-32249-92	. TUBE ASSY, SMOKE DETECTION SYSTEM UPPER CARGO							5199	1
		COMPARTMENT 3/8 IN. .028 6061-T6								
40	65-32249-10	. TUBE ASSY, SMOKE DETECTION SYSTEM UPPER CARGO							5199	1
		COMPARTMENT 3/8 IN. .028 6061-T6								
41	65-32249-91	. TUBE ASSY, SMOKE DETECTION SYSTEM UPPER CARGO							5199	1
		COMPARTMENT 3/8 IN. .028 6061-T6								
42	65-32249-93	. TUBE ASSY, SMOKE DETECTION SYSTEM UPPER CARGO							5199	1
		COMPARTMENT 3/8 IN. .028 6061-T6								
43	65-32249-8	. TUBE ASSY, SMOKE DETECTION SYSTEM UPPER CARGO							5199	1
		COMPARTMENT 3/8 IN. .028 6061-T6								
44	65-32249-187	. TUBE ASSY, SMOKE DETECTION SYSTEM UPPER CARGO							5199	1
		COMPARTMENT 3/8 IN. .028 6061-T6								
45	65-32249-94	. TUBE ASSY, SMOKE DETECTION SYSTEM UPPER CARGO							5199	1
		COMPARTMENT 3/8 IN. .028 6061-T6								
46	65-32249-6	. TUBE ASSY, SMOKE DETECTION SYSTEM UPPER CARGO							5199	1
		COMPARTMENT 3/8 IN. .028 6061-T6								
47	65-32249-95	. TUBE ASSY, SMOKE DETECTION SYSTEM UPPER CARGO							5199	1
		COMPARTMENT 3/8 IN. .028 6061-T6								
48	65-32249-188	. TUBE ASSY, SMOKE DETECTION SYSTEM UPPER CARGO							5199	1
		COMPARTMENT 3/8 IN. .028 6061-T6								
49	65-32249-189	. TUBE ASSY, SMOKE DETECTION SYSTEM UPPER CARGO							5199	1
		COMPARTMENT 3/8 IN. .028 6061-T6								
50	65-32249-3	. TUBE ASSY, SMOKE DETECTION SYSTEM UPPER CARGO							5199	1
		COMPARTMENT 3/8 IN. .028 6061-T6								
51	65-32249-99	. TUBE ASSY, SMOKE DETECTION SYSTEM UPPER CARGO							5199	1
		COMPARTMENT 3/8 IN. .028 6061-T6								
	MS21921D6	. . NUT, (NOT USED ON 65-32249-189)							5199	1
	MS21921D6	. . NUT, (NOT USED ON 65-32249-99, -164, -165, -166,							5199	1
		-167, -183, -186, -187, -188 AND -189)								
	BACS13AP6	. . SLEEVE, (NOT USED ON 65-32249-189)							5199	1
	BACS13AP6	. . SLEEVE, (NOT USED ON 65-32249-99, -164, -165, -166,							5199	1
		-167, -183, -186, -187, -188 AND -189)								
52	65-32249-157	. TUBE ASSY, SMOKE DETECTION SYSTEM UPPER CARGO							5199	2
		COMPARTMENT 5/8 IN. .035 6061-T6								
	MS21921D10	. . NUT							5199	2
	BACS13AP10	. . SLEEVE							5199	2
53	69-64809-1	. TUBE ASSY, SMOKE DETECTION SYSTEM UPPER CARGO							5199	1
		COMPARTMENT 3/8 IN. .028 6061-T6								
54	69-25629-8	. TUBE ASSY, SMOKE DETECTION SYSTEM 3/8 IN. .028.							5199	4
		6061-T6								
55	69-25629-9	. TUBE ASSY, SMOKE DETECTION SYSTEM 3/8 IN. .028.							5199	1
		6061-T6								
56	ER824D101006	. TEE, (V92003)							5199	1
57	MS21902D6	. UNION							5199	23
57A	MS21902D6	. UNION							5199	9
58	MS21924D6	. UNION							5199	6
59	MS21907D6	. ELBOW							5199	4
60	MS21908D10	. ELBOW							5199	1
61	MS28778-10	. PACKING							5199	1
62	AN924-10D	. NUT							5199	1
63	AN924-6D	. NUT							5199	10
64	AN960PD916	. WASHER.							5199	10
65	BACC10DK6	. CLAMP							5199	2
66	AN743-13	. CLAMP							5199	2
67	AN737TW26	. CLAMP							5199	8
67A	AN737TW26	. CLAMP							5199	12
67C	AN737TW26	. CLAMP							5199	2
68	AN735D6	. CLAMP							5199	4
69	BACN10JCS	. NUT							5199	2
70	NAS603-8	. SCREW							5199	2
71	AN960PD10L	. WASHER.							5199	2
72	69-29130-2	. VENTURI, SMOKE DETECTOR SYSTEM.							5199	1
73	65-58782-3	. DETECTOR INSTL, ELECTRONIC SMOKE DETECTION SYSTEM							5199	1
		(SEE FIG. 52)								

MISSING ITEM NUMBERS ARE NOT APPLICABLE



DETECTOR INSTL, MAIN WHEEL WELL FIRE
 FIGURE 25. SUPPORT INSTL, MAIN WHEEL WELL FIRE DETECTOR (SHEET 1)



DETECTOR INSTL, MAIN WHEEL WELL FIRE
FIGURE 25. SUPPORT INSTL, MAIN WHEEL WELL FIRE DETECTOR (SHEET 2)



PARTS CATALOG

FIGURE & ITEM NO.	MANUFACTURER'S PART NUMBER	NOMENCLATURE							EFF FROM TO	UNITS PER ASSY
		1	2	3	4	5	6	7		
25		DETECTOR INSTL, MAIN WHEEL WELL FIRE.								
	65-2981-1	SUPPORT INSTL, MAIN WHEEL WELL FIRE DETECTOR.								RF
		. DETECTOR INSTL, MAIN WHEEL WELL FIRE LH (SEE 24-3, . . . FIG. 2, ITEM 19)								
	65-2981-2	. DETECTOR INSTL, MAIN WHEEL WELL FIRE RH (SEE 24-3, . . . FIG. 2, ITEM 20)								RF
1	207865	. . NUT, CONNECTOR (V33525)								4
2	207865	. . NUT, CONNECTOR (V33525) (RH ONLY)								1
3	209592	. . GASKET, COPPER (V33525)								4
4	209592	. . GASKET, COPPER (V33525) (RH ONLY)								1
5	701120	. . ELEMENT, SENSING (V33525)								4
	65-2981-3	. SUPPORT INSTL, MAIN WHEEL WELL FIRE DETECTOR LH (SEE 24-3, FIG. 2, ITEM 19A)								RF
	65-2981-4	. SUPPORT INSTL, MAIN WHEEL WELL FIRE DETECTOR RH (SEE 24-3, FIG. 2, ITEM 20A)								RF
5A	BACW10T616	. . WASHER, (LH ONLY)								1
6	207895	. . PLATE, CONNECTOR JOINT (V33525) (LH ONLY) ATTACHING PARTS								2
	AN500A8-7	. . SCREW								2
	BACN10BY508W	. . NUT								4
7	207305	. . CLAMP, (V33525)								59
7A	207305	. . CLAMP, (V33525) (RH ONLY) ATTACHING PARTS								1
	NAS603-6P	. . SCREW								46
	NAS603-7	. . SCREW								4
	NAS603-10P	. . SCREW								1
	NAS603-12P	. . SCREW								5
	NAS603-12P	. . SCREW, (LH ONLY)								1
	NAS603-16P	. . SCREW, (RH ONLY)								2
	NAS43-HT3-16	. . SPACER								6
	NAS43-HT3-16	. . SPACER, (LH ONLY)								1
	NAS43-HT3-32	. . SPACER, (RH ONLY)								2
	BACN10BY53W	. . NUT								25
	BACN10BY53W	. . NUT, (RH ONLY)								1
8	207419	. . GROMMET, (V33525)								59
8A	207419	. . GROMMET, (V33525) (RH ONLY)								1
9	840855	. . BRACKET, CONNECTOR JOINT (V33525) (OPTIONAL TO 841171 (V33525))								3
9	841171	. . BRACKET, CONNECTOR JOINT (V33525) (OPTIONAL 840855 (V33525))								3
10	840855	. . BRACKET, CONNECTOR JOINT (V33525) (RH ONLY) (OPTIONAL TO 841171 (V33525))								1
10	841171	. . BRACKET, CONNECTOR JOINT (V33525) (RH ONLY) (OPTIONAL 840855 (V33525)) ATTACHING PARTS								1
	NAS603-6P	. . SCREW								3
	NAS603-7	. . SCREW, (RH ONLY)								1
	BACN10BY53W	. . NUT, (RH ONLY)								1

MISSING ITEM NUMBERS ARE NOT APPLICABLE

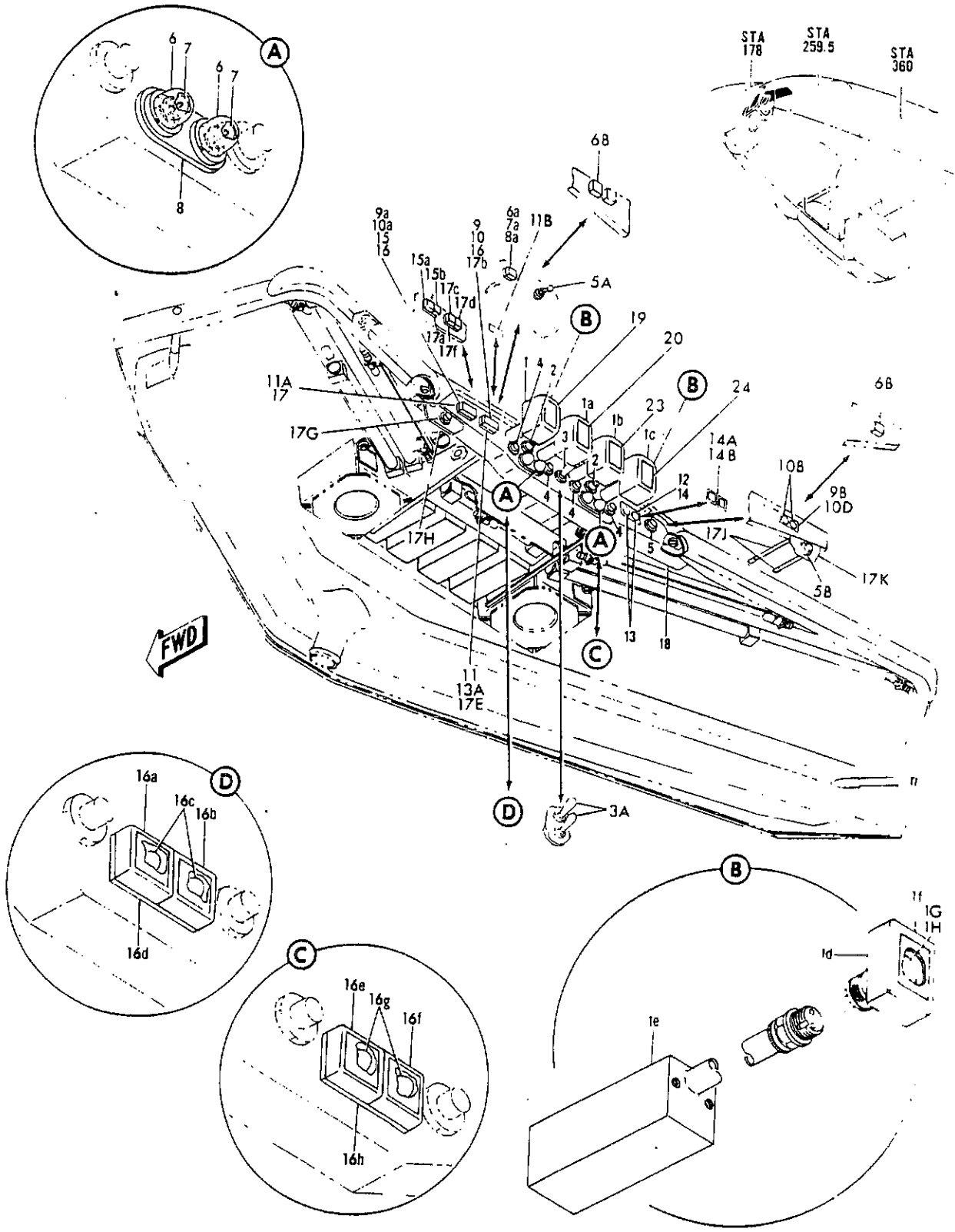


FIGURE 28. LIGHTSHIELD INSTL, PILOT AND COPILOT (FIRE PROTECTION)

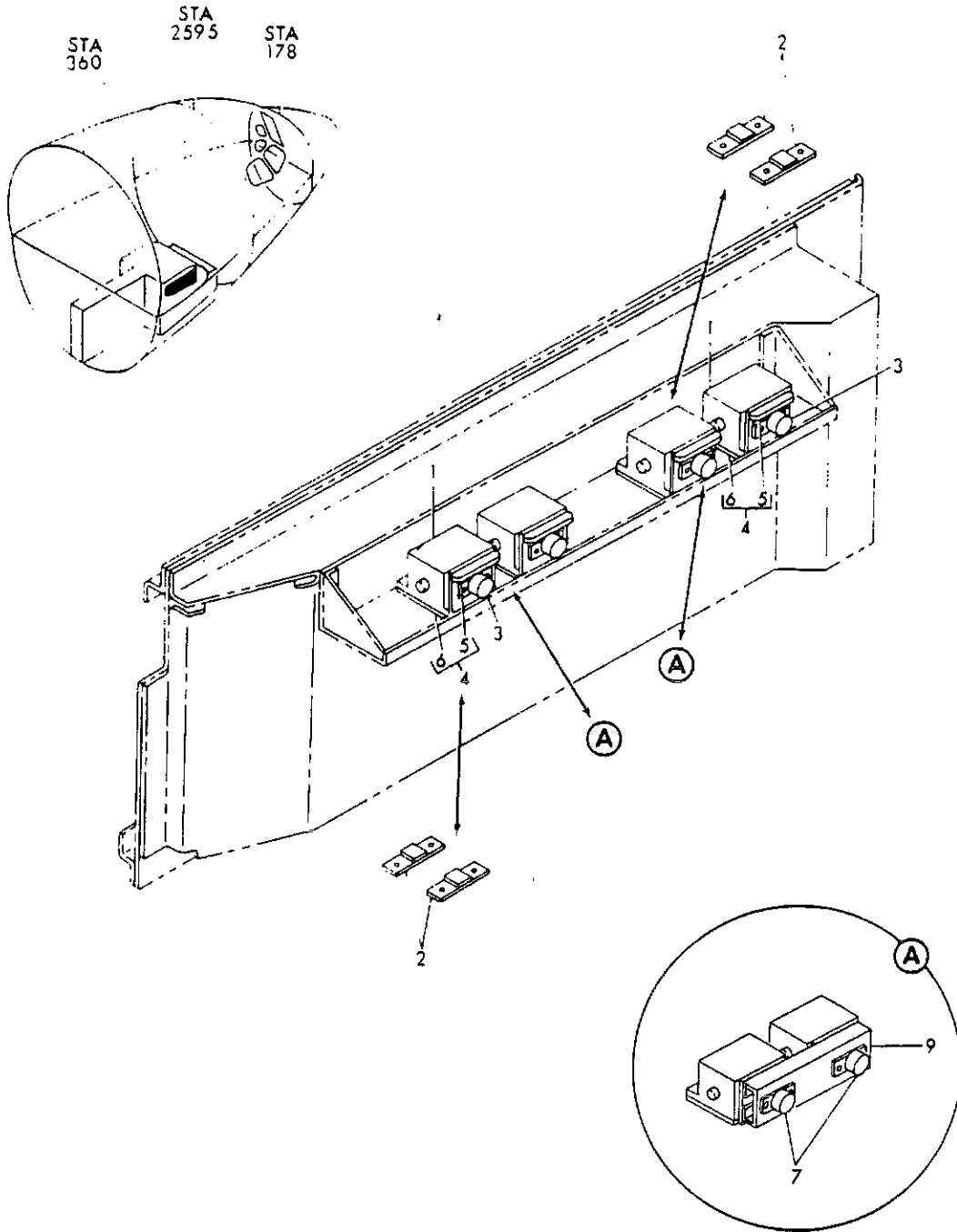


FIGURE 29J. FIRE PROTECTION-FIRE DETECTION

BOEING
Intercontinental

PARTS CATALOG

FIGURE & ITEM NO.	MANUFACTURER'S PART NUMBER	1 2 3 4 5 6 7	NOMENCLATURE	EFF	UNITS
				FROM TO	PER ASSY
29J	65-58611-13		SHIELD ASSY, STATION 300 J1 RELAY (FIRE PROTECTION. . .	5199	RF
			ONLY) (SEE 24-6, FIG. 36C, ITEM 1)		
1	893229-0450		. CONTROL UNIT, FIRE DETECTOR (V33525).	5199	4
			ATTACHING PARTS		
	NAS603-6P		. SCREW	5199	16
			-----*		
3	280911		. FILTER, INDUCTIVE (V33525).	5199	4
			ATTACHING PARTS		
	NAS600-10P		. SCREW	5199	8
	NAS43001-12		. SPACER.	5199	8
			-----*		
4	65-58621-20		. BRACKET ASSY.	5199	4
5	8ACG20ZA320		. . GROMMET	5199	1
6	65-58621-21		. . BRACKET, FILTER	5199	1
			. FOR REFERENCE TO OTHER SHIELD DETAILS, SEE NHA. . . .	5199	

MISSING ITEM NUMBERS ARE NOT APPLICABLE

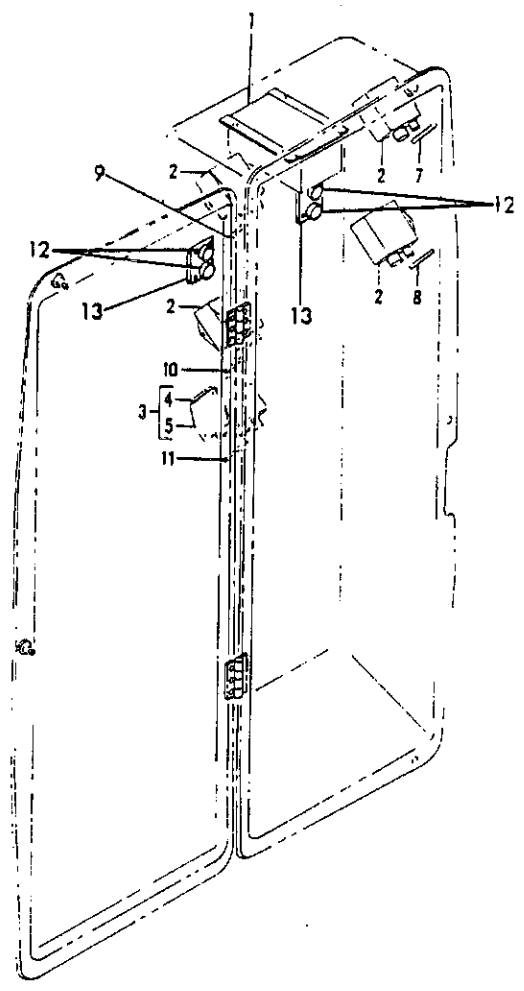
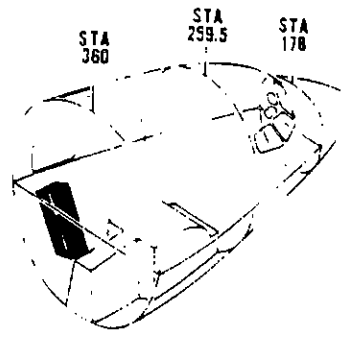


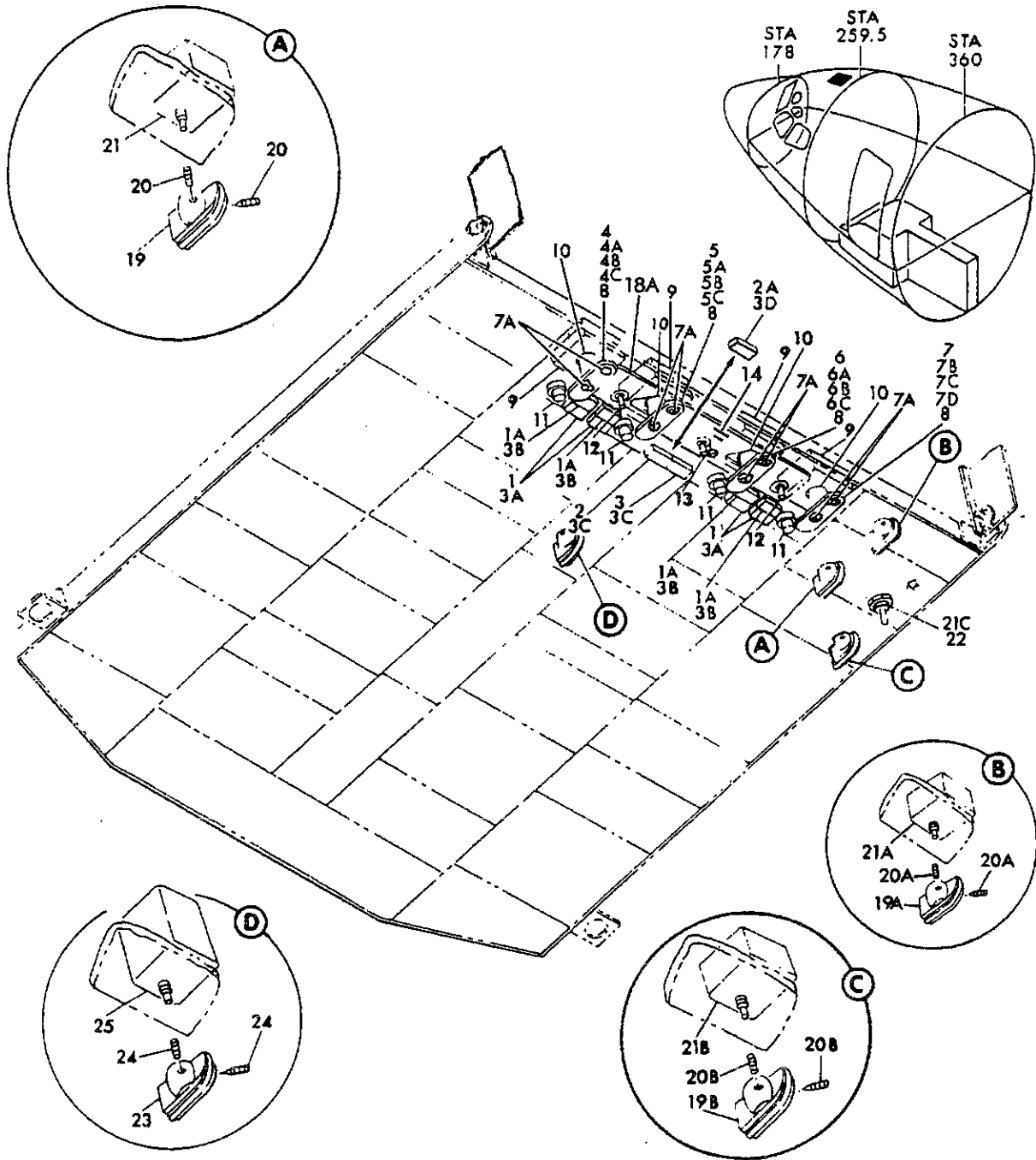
FIGURE 33. SHIELD ASSY, STATION 336 J4 RELAY (FIRE PROTECTION ONLY)



PARTS CATALOG

FIGURE & ITEM NO.	MANUFACTURER'S PART NUMBER	NOMENCLATURE							EFF FROM TO	UNITS PER ASSY		
		1	2	3	4	5	6	7				
R	33	50-8248-4	SHIELD ASSY, STATION 336 J4 RELAY (FIRE PROTECTION. . . ONLY) (SEE 24-6, FIG. 11B, ITEM 2)							0150	RF	
R		1	A159-1A	. CONTROL, FIRE WARNING BELL (V97896)							0150	1
R				(OPTIONAL AND FOR REPLACEMENT ORDER BAC SPEC NO. 10-3248)								
R		1	10-3248	. CONTROL, FIRE WARNING BELL.							0150	1
R				(OPTIONAL TO AND REPLACEMENT FOR A159-1A (V97896))								
R			NAS602-8P	ATTACHING PARTS								
R				. SCREW							0150	4
R		2	893229-0450	. CONTROL UNIT, FIRE DETECTOR (V33525).							0103	4
R		2	893229-0450	. CONTROL UNIT, FIRE DETECTOR (V33525) (ADDED BY SB 2981)							0450	4
R				ATTACHING PARTS								
R			NAS603-8P	. SCREW							0103	16
R			NAS603-8P	. SCREW, (DELETED BY SB 2166)							0450	16
R			NAS603-9	. SCREW, (ADDED BY SB 2166)							0450	16
R			NAS602-6P	. SCREW, (ADDED BY SB 2981)							0450	16
R			AN960-10L	. WASHER, (ADDED BY SB 2166).							0450	16
R			NAS679A3W	. NUT, (ADDED BY SB 2166)							0450	16
R		3	66-29065	. CONTROL UNIT ASSY, FIRE DETECTOR.							0150	1
R				ATTACHING PARTS								
R			NAS603-8P	. SCREW							0150	2
R		4	890700-1800	. CONTROL UNIT, (V33525).							0150	1
R				ATTACHING PARTS								
R			MS20426D6	. RIVET							0150	2
R		5	66-29065-1	. ADAPTER, FIRE DETECTOR CONTROL UNIT MOUNTING.							0150	1
R		7	BACM10E10-2CF	. MARKER, ENGINE 1 ALUMINUM FOIL.							0150	1
R		8	BACM10E10-2CH	. MARKER, ENGINE 3 ALUMINUM FOIL.							0150	1
R		9	BACM10E10-2CG	. MARKER, ENGINE 2 ALUMINUM FOIL.							0150	1
R		10	BACM10E10-2CJ	. MARKER, ENGINE 4 ALUMINUM FOIL.							0150	1
R		11	BACM10L10-1BGB	. MARKER, MAIN WHEEL WELL ALUMINUM FOIL							0150	1
R		12	280911	. FILTER, INDUCTIVE (V33525) (ADDED BY SB 3110)							0150	4
R				ATTACHING PARTS								
R			BACSI2CB04-5	. SCREW							0150	8
R		13	66-11205-4	. SUPPORT ASSY, (ADDED BY SB 3110).							0150	2
R				ATTACHING PARTS								
R			NAS602-8P	. SCREW							0150	8
R				. FOR REFERENCE TO OTHER SHIELD DETAILS, SEE NHA.							0150	

MISSING ITEM NUMBERS ARE NOT APPLICABLE



A 2601038E REV 268

FIGURE 38E MODULE INSTL, P13 PILOTS OVERHEAD (FIRE PROTECTION ONLY)

DETAILED PARTS LIST
26-01-38E
PAGE 0

26-01-38E

NOV 21/98

BOEING

707

PARTS CATALOG (MAINTENANCE)

FIGURE & ITEM NO.	MANUFACTURER'S PART NUMBER	NOMENCLATURE							EFF FROM TO	UNITS PER ASSY
		1	2	3	4	5	6	7		
38E	65-86177-2	MODULE INSTL, P13 PILDTS OVERHEAD (VARIABLE DWG;65-86177-5011) (FIRE PROTECTION ONLY) (SEE 25-1, FIG. 2E, ITEM 92 AND 25-1, FIG. 180H, ITEM 108)							5199	RF
	65-58794-46	. MODULE ASSY, P13H ENGINE FIRE SHUTOFF (FIRE PROTECTION ONLY)							5199	RF
1	318-630-1003-028	. . LIGHT ASSY, SHORT CIRCUIT (V81590)							5199	4
2	318-630-1003-026	. . LIGHT ASSY, WHEEL WELL FIRE (V81590)							5199	1
3	318-630-1003-008	. . LIGHT ASSY, MAIN CARGO SMOKE (V81590)							5199	1
3C	319-19	. . BRACKET, MOUNTING (V81590)							5199	2
4A	259-659-1001-001	. . HANDLE ASSY, (V81590)							5199	1
4B	659-1001-001	. . CAP, (V81590)							5199	1
4C	259-1001-001	. . BASE ASSY, (V81590)							5199	1
5A	259-659-1001-002	. . HANDLE ASSY, (V81590)							5199	1
5B	659-1001-002	. . CAP, (V81590)							5199	1
5C	259-1001-001	. . BASE ASSY, (V81590)							5199	1
6A	259-659-1001-003	. . HANDLE ASSY, (V81590)							5199	1
6B	659-1001-003	. . CAP, (V81590)							5199	1
6C	259-1001-01	. . BASE ASSY, (V81590)							5199	1
7B	259-659-1001-004	. . HANDLE ASSY, (V81590)							5199	1
7C	659-1001-004	. . CAP, (V81590)							5199	1
7D	259-1001-001	. . BASE ASSY, (V81590)							5199	1
8	387	. . LAMP, (V08806)							5199	4
9	10-3349-5	. . SWITCH							5199	4
11	D20012W	. . SWITCH, PUSHBUTTON (V81640) (OPTIONAL 65-58794-14)							5199	4
11	65-58794-14	. . SWITCH, PUSHBUTTON (ALTERED FROM D20012 (V81640)) (OPTIONAL TO D20012W (V81640))							5199	4
12	MS24524-23	. . SWITCH							5199	2
13	MS24524-27	. . SWITCH							5199	1
14	10-61437-235G	. . LIGHTPLATE ASSY, ENGINE FIRE SHUTOFF							5199	1
	69-51352-1	. MODULE ASSY, P13Y SMOKE DETECTOR (FIRE PROTECTION ONLY)							5199	RF
19	66-9039	. . KNOB ASSY							5199	1
20	LL22XD62J3	. . SETSCREW, HEX SOCKET (V03038)							5199	2
21	IRM6-52	. . SWITCH, ROTARY (V91929)							5199	1
		. FOR REFERENCE TO OTHER MODULE DETAILS, SEE NHA.							5199	

MISSING ITEM NUMBERS ARE NOT APPLICABLE

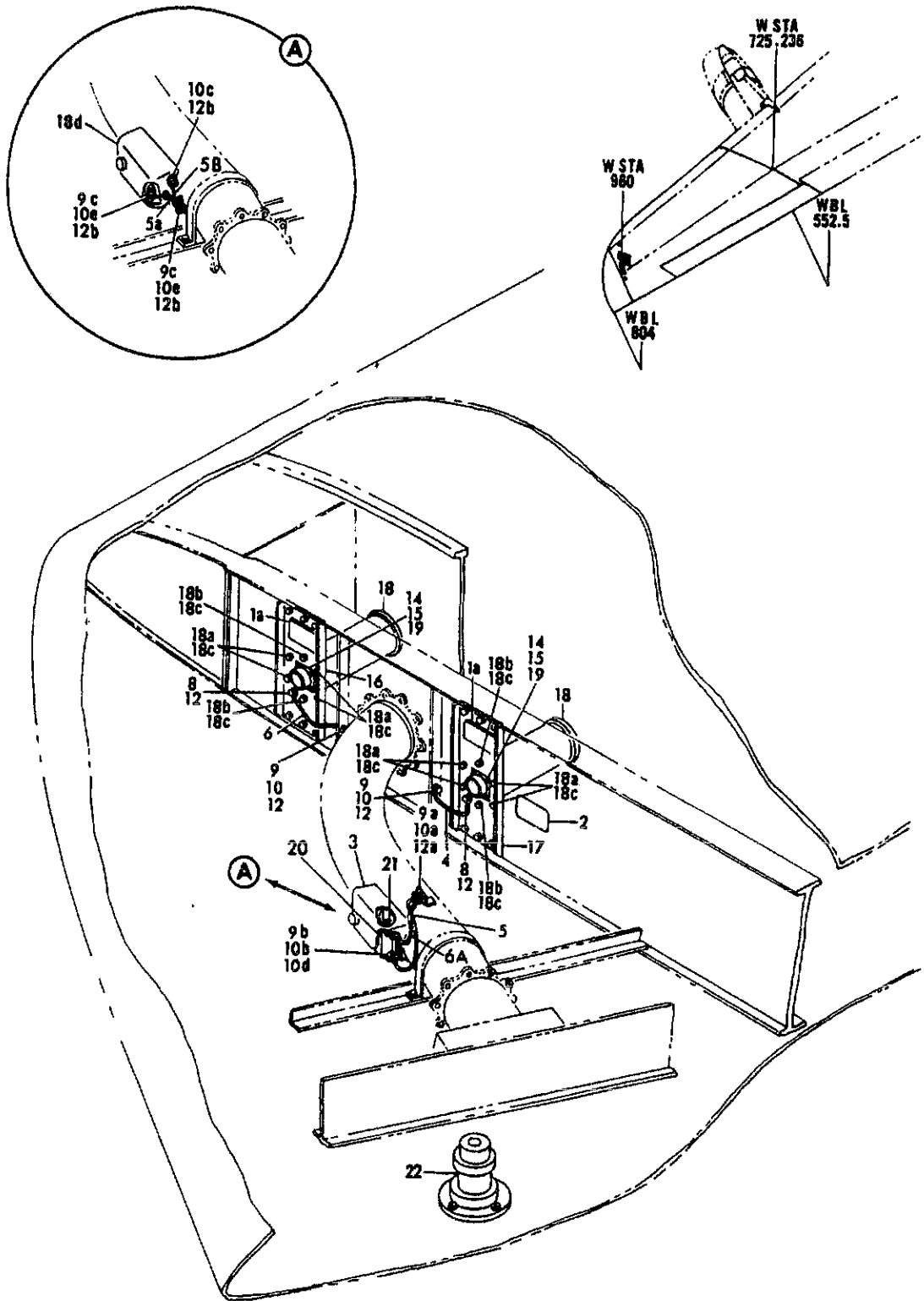


FIGURE 48. SUPPRESSOR INSTL, FUEL TANK PROTECTION SYSTEM

DETAILED PARTS LIST
 26-01-48
 PAGE 0

26-01-48



PARTS CATALOG

FIGURE & ITEM NO.	MANUFACTURER'S PART NUMBER	NOMENCLATURE	EFF FROM TO	UNITS PER ASSY
48	65-58343-1	SUPPRESSOR INSTL, FUEL TANK PROTECTION SYSTEM (LH) (SEE 57-2, FIG. 1, ITEM 12)	5199	RF
	65-58343-2	SUPPRESSOR INSTL, FUEL TANK PROTECTION SYSTEM (RH) (SEE 57-2, FIG. 1, ITEM 12)	5199	RF
1A	BAC27CFS1	. MARKER-ALUMINUM FOIL, CAUTION EXPLOSIVE CONNECTOR . . . INSTALLATION INSTRUCTIONS	5199	2
2	BACM10W2ACU	. MARKER-ALUMINUM FOIL, WARNING CONTAINS EXPLOSIVE. . .	5199	1
3	48-194508-000	. COVER, PROTECTIVE (V73166).	5199	1
	BACB30BG3K2A	ATTACHING PARTS		
	AN960D10L	. BOLT.	5199	4
		. WASHER.	5199	4
		-----*		
4	BACJ40K5A5A4	. JUMPER.	5199	1
5	BACJ40K5A5A5	. JUMPER.	5199	1
6	BACJ40K5A5A7	. JUMPER.	5199	1
6A	BACJ40K5A5A7	. JUMPER.	5199	1
		ATTACHING PARTS		
8	BACB30BF3-3	. SCREW	5199	2
9	BACS12BE3C10	. SCREW	5199	2
9A	BACB30BG3KH2	. BOLT.	5199	1
		(OPTIONALS BACB30BG3H2, NAS673-2H)		
9A	BACS12BE3C10	. SCREW	5199	1
9A	BACS12BE3A10	. SCREW	5199	1
		(OPTIONAL TO BACS12BE3C10)		
9B	BACB30BG3KH2	. BOLT.	5199	1
		(OPTIONALS BACB30BG3H2, NAS673-2H)		
9B	BACB30BG3H2	. BOLT.	5199	1
		(OPTIONAL TO BACB30BG3KH2)		
9B	NAS673-2H	. BOLT.	5199	1
		(OPTIONAL TO BACB30BG3KH2)		
10	AN960D10L	. WASHER.	5199	4
10A	AN960C10L	. WASHER.	5199	2
10B	AN960C10L	. WASHER.	5199	1
10D	AN960C10	. WASHER.	5199	1
12	NAS679C3W	. NUT	5199	4
12A	NAS679C3W	. NUT	5199	1
		-----*		
14	10-61249-4	. INITIATOR	5199	2
		ATTACHING PARTS		
	AN500AD4-5	. SCREW	5199	8
		-----*		
15	MS29513-018	. PACKING	5199	2
16	69-45642-11	. BRACKET ASSY, SUPPORT (LH ONLY)	5199	1
16	69-45642-12	. BRACKET ASSY, SUPPORT (RH ONLY)	5199	1
17	69-45642-9	. BRACKET ASSY, SUPPORT (LH ONLY)	5199	1
17	69-45642-10	. BRACKET ASSY, SUPPORT (RH ONLY)	5199	1
		ATTACHING PARTS		
	BACB30BG3K8A	. BOLT.	5199	12
		(OPTIONALS NAS673-8, BACB30BG3-8A)		
	NAS673-8	. BOLT.	5199	12
		(OPTIONAL TO BACB30BG3K8A)		
	BACB30BG3-8A	. BOLT.	5199	12
		(OPTIONAL TO BACB30BG3K8A)		
	AN960D10	. WASHER.	5199	12
		-----*		
18	10-61249-2	. RESERVOIR	5199	2
		ATTACHING PARTS		
18A	BACB30BG3K10A	. BOLT.	5199	8
		(OPTIONALS BACB30BG3-10A, NAS673-10)		
18A	BACB30BG3-10A	. BOLT.	5199	8
		(OPTIONAL TO BACB30BG3K10A)		
18A	NAS673-10	. BOLT.	5199	8
		(OPTIONAL TO BACB30BG3K10A)		
18B	BACB30BG3K8A	. BOLT.	5199	4
		(OPTIONALS NAS673-8, BACB30BG3-8A)		
18B	NAS673-8	. BOLT.	5199	4
		(OPTIONAL TO BACB30BG3K8A)		
18B	BACB30BG3-8A	. BOLT.	5199	4
		(OPTIONAL TO BACB30BG3K8A)		
18C	AN960D10	. WASHER.	5199	12
		-----*		
19	MS29513-231	. PACKING	5199	2
20	10-61249-7	. DETECTOR.	5199	1

MISSING ITEM NUMBERS ARE NOT APPLICABLE



PARTS CATALOG

FIGURE & ITEM NO.	MANUFACTURER'S PART NUMBER	NOMENCLATURE							EFF FROM TO	UNITS PER ASSY
		1	2	3	4	5	6	7		
48	BACB30BG3KH2	ATTACHING PARTS							5199	3
		. BOLT.								
		(OPTIONALS BACB30BG3H2, NAS673-2H)								
	BACB30BG3H2	. BOLT.								
		(OPTIONAL TO BACB30BG3KH2)								
	NAS673-2H	. BOLT.							5199	3
		(OPTIONAL TO BACB30BG3KH2)								
	AN960C10	. WASHER.							5199	3
		-----*								
21	MS29513-021	. PACKING							5199	1
22	10-61249-3	. INDICATOR							5199	1
		ATTACHING PARTS								
	BACB30BF3-4	. SCREW							5199	4
		-----*								

MISSING ITEM NUMBERS ARE NOT APPLICABLE

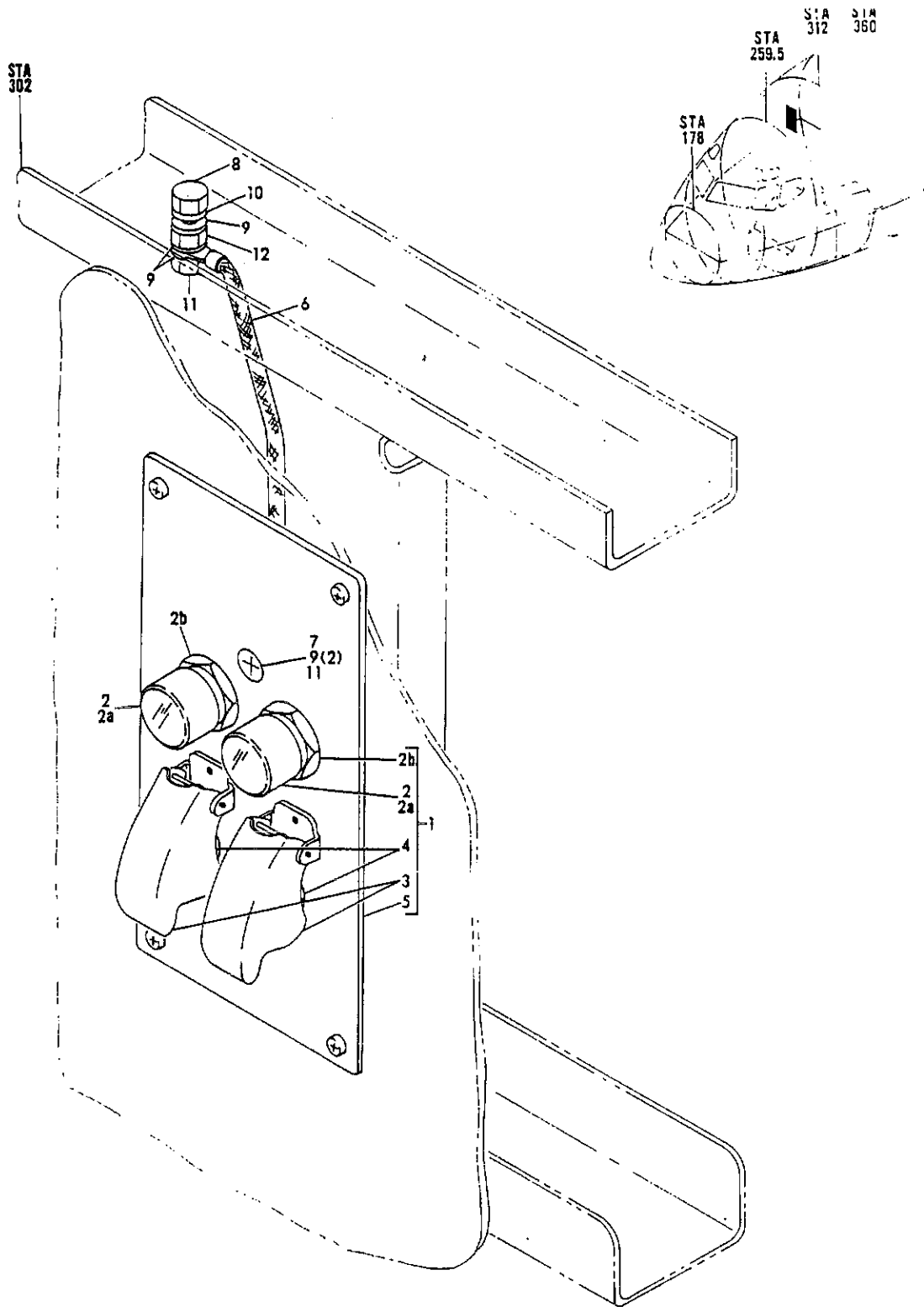


FIGURE 49E. PANEL INSTL, FUEL TANK PROTECTION SYSTEM TEST



PARTS CATALOG

FIGURE & ITEM NO.	MANUFACTURER'S PART NUMBER	NOMENCLATURE							EFF FROM TO	UNITS PER ASSY
		1	2	3	4	5	6	7		
49E	65-71192-1	PANEL INSTL, FUEL TANK PROTECTION SYSTEM TEST (SEE . . .							5199	RF
		25-1, FIG. 1C, ITEM 165, 25-1, FIG. 1F, ITEM								
		134, 25-1, FIG. 1H, ITEM 150 AND 25-1, FIG. 2E,								
		ITEM 125)								
1	69-56548-1	. PANEL ASSY.							5199	1
	NAS603-8P	. ATTACHING PARTS								
		. SCREW							5199	4
2	AAP	. . . CAP, AMBER (V81590)							5199	2
2A	1864	. . . LAMP, INCANDESCENT (V08806)							5199	2
2B	ST130-7	. . . BASE ASSY, (V81590)							5199	2
3	MS25224-3	. . . GUARD							5199	2
4	MS35059-30	. . . SWITCH.							5199	2
5	69-56548-2	. . . PANEL							5199	1
6	MS25083-2BB12	. JUMPER ASSY.							5199	1
		. ATTACHING PARTS								
7	NAS514P1032-10	. SCREW							5199	1
8	BACS12CB3-10	. SCREW							5199	1
9	AN960D10L	. WASHER.							5199	5
10	MS35338-43	. WASHER.							5199	1
11	NAS679A3W	. NUT							5199	2
12	MS20341-10A	. NUT							5199	1

MISSING ITEM NUMBERS ARE NOT APPLICABLE

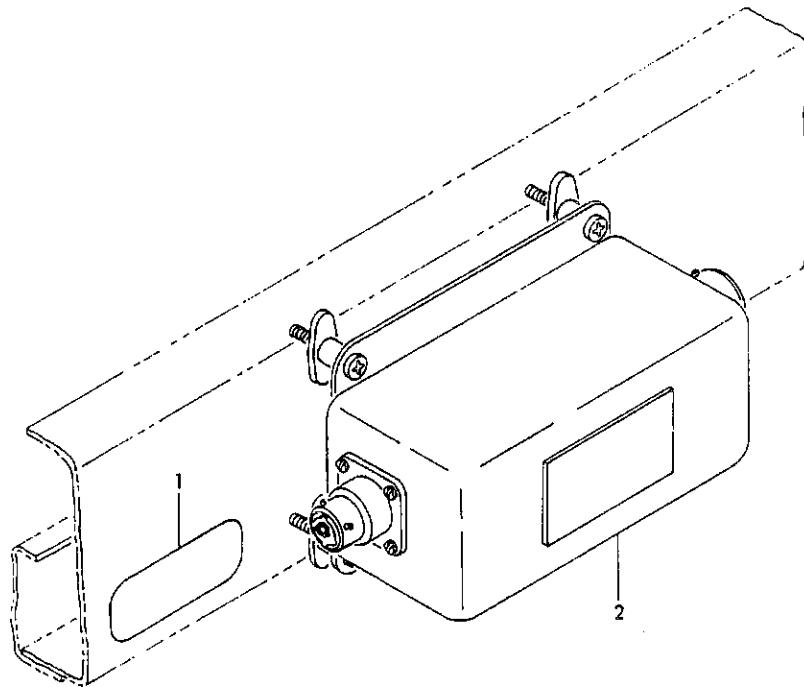
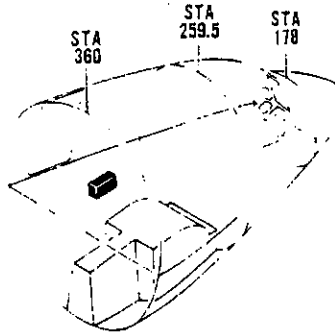


FIGURE 50. AMPLIFIER INSTL, STATION 335 SMOKE DETECTOR CONTROL



PARTS CATALOG

FIGURE & ITEM NO.	MANUFACTURER'S PART NUMBER	NOMENCLATURE							EFF FROM TO	UNITS PER ASSY
		1	2	3	4	5	6	7		
30	69-45842-1	AMPLIFIER INSTL, STATION 335 SMOKE DETECTOR CONTROL . . . (SEE 24-3, FIG. 1B, ITEM 64 AND 24-3, FIG. 1C, ITEM 61)								RF
1	BAC27CEE1	. MARKER, M440 SMOKE DETECTOR AMPLIFIER ALUMINUM FOIL . . .								1
2	30-303A3	. AMPLIFIER, CONTROL (V11941) (OPTIONAL TO 30-326-8 (V11941))								1
2	30-326-8	. AMPLIFIER, CONTROL (V11941) (OPTIONAL 30-303A3 (V11941))								1
	NAS602-16P	ATTACHING PARTS								
	NAS680A08	. SCREW								4
	BACS18F508	. NUT								4
		. SPACER.								4
		-----*								

MISSING ITEM NUMBERS ARE NOT APPLICABLE

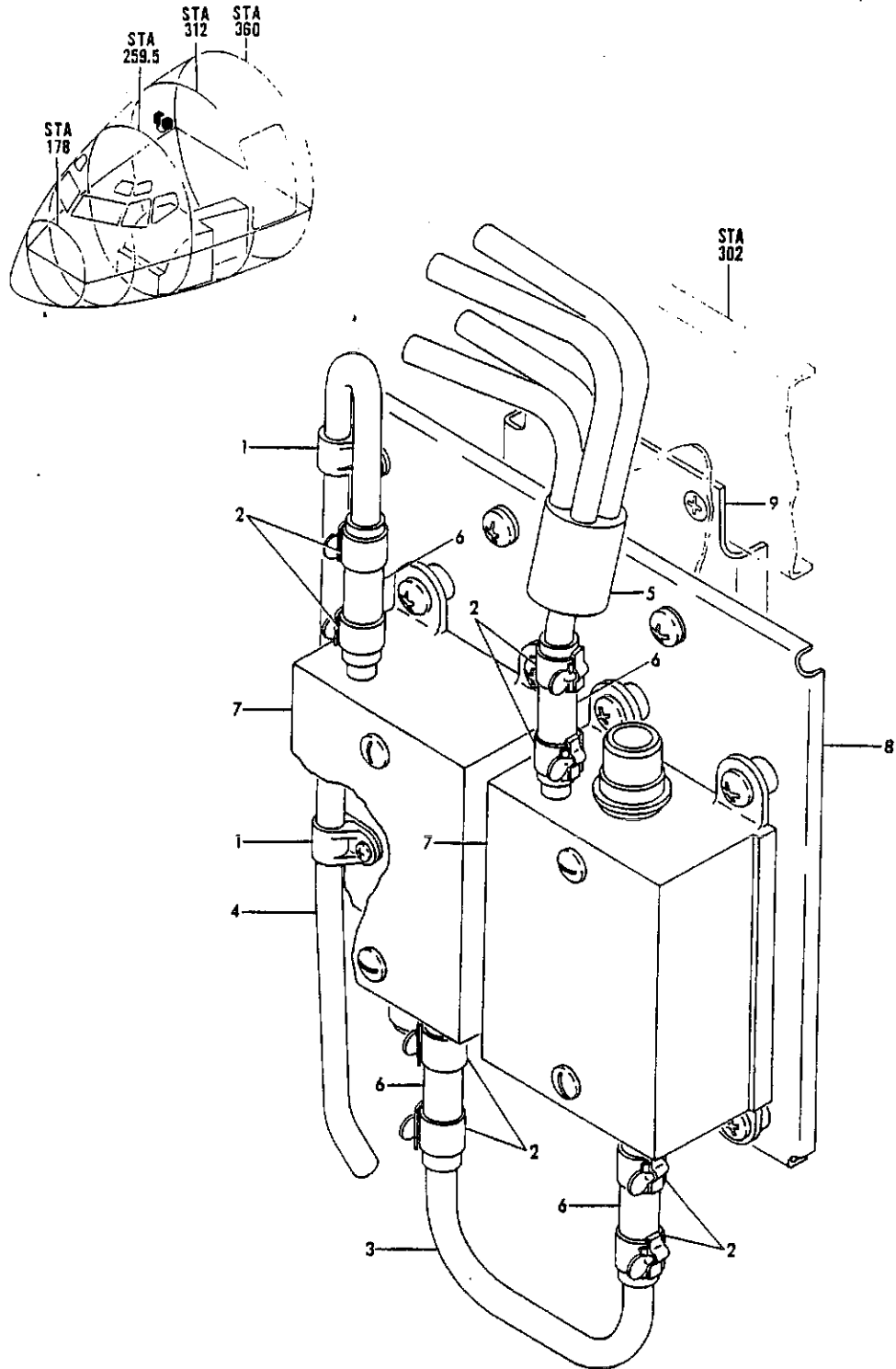


FIGURE 52. DETECTOR INSTL, ELECTRONIC SMOKE DETECTION SYSTEM



PARTS CATALOG

FIGURE & ITEM NO.	MANUFACTURER'S PART NUMBER	NOMENCLATURE							EFF FROM TO	UNITS PER ASSY	
		1	2	3	4	5	6	7			
52	65-58782-3	DETECTOR INSTL, ELECTRONIC SMOKE DETECTION SYSTEM (SEE FIG. 21C, ITEM 44, FIG. 21E, ITEM 73 AND 52B, ITEM 25)								RF	
	1	BACC10DK6	. CLAMP								2
		NAS603-8P	. ATTACHING PARTS								2
			. SCREW								
			-----*								
	2	AN737TW26	. CLAMP								8
	3	65-58782-4	. TUBE								1
	4	65-58782-5	. TUBE							0150	1
	4	65-58782-7	. TUBE							5199	1
	5	65-65169-1	. TUBING ASSY								1
	6	65-58782-6	. HOSE								4
	7	30-284	. DETECTOR, (V11941)								2
			. ATTACHING PARTS								
		NAS600-16P	. SCREW								8
			-----*								
8	69-52660-1	. BRACKET ASSY, MOUNTING.								1	
		. ATTACHING PARTS									
	NAS603-16P	. SCREW								4	
	AN960D10L	. NUT								4	
		-----*									
9	69-47443-1	. BRACKET ASSY.								1	

MISSING ITEM NUMBERS ARE NOT APPLICABLE

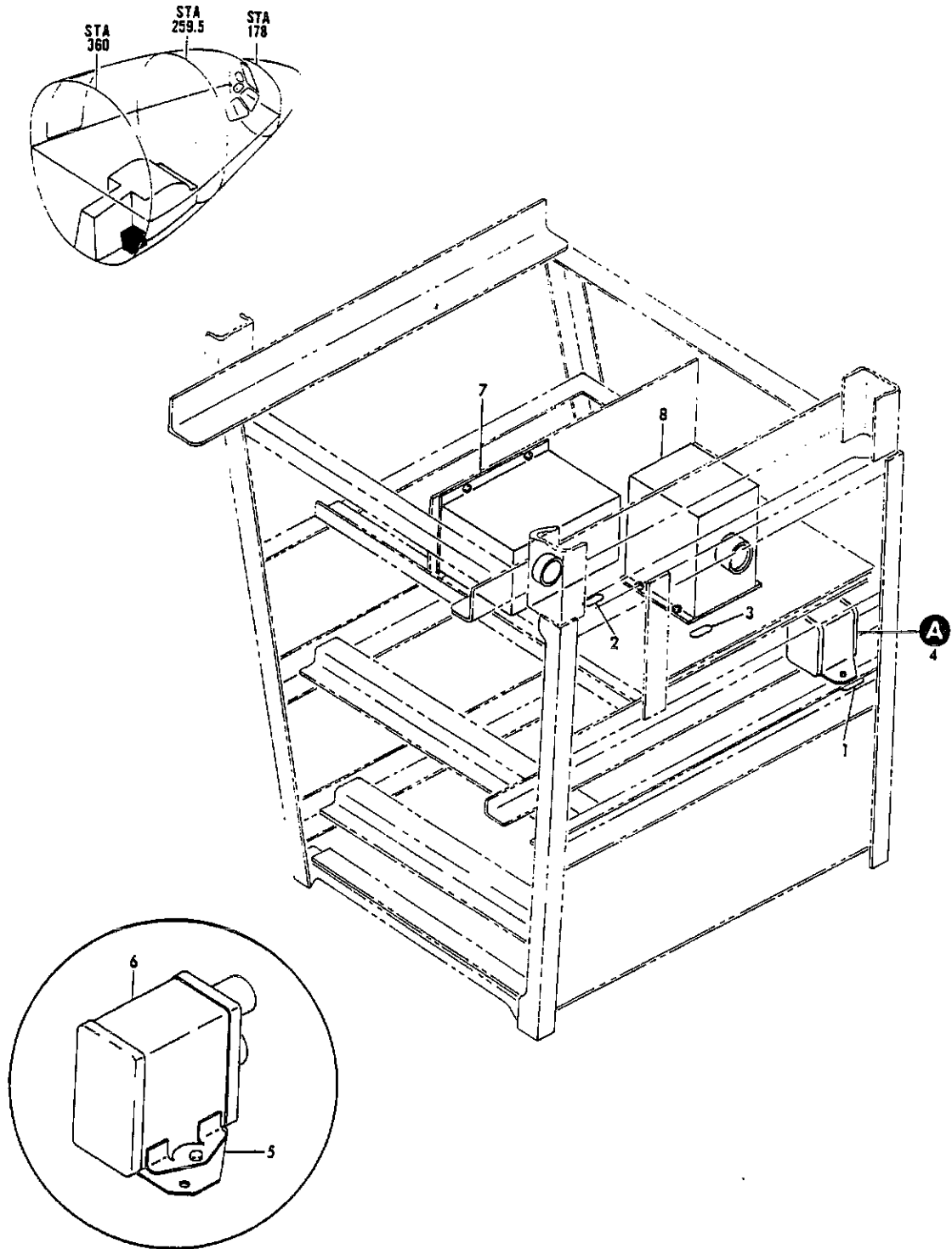


FIGURE 56. EQUIPMENT INSTL, STATION 335 J5 ELECTRICAL (FIRE PROTECTION ONLY)



PARTS CATALOG

FIGURE & ITEM NO.	MANUFACTURER'S PART NUMBER	NOMENCLATURE							EFF FROM TO	UNITS PER ASSY
		1	2	3	4	5	6	7		
56	65-69905-1	EQUIPMENT INSTL, STATION 335 J5 ELECTRICAL (VARIABLE. . .							5199	RF
		DWG; 65-69905-5002) (FIRE PROTECTION ONLY) (SEE								
		24-3, FIG. 1A, ITEM 4 AND 24-3, FIG. 1C, ITEM 4)								
1	BAC27CEE87	. MARKER-ALUMINUM FOIL, M30							5199	1
2	BAC27CEE85	. MARKER-ALUMINUM FOIL, M15							5199	1
3	BAC27CEE86	. MARKER-ALUMINUM FOIL, M17							5199	1
4	66-29065	. CONTROL UNIT ASSY, FIRE DETECTOR.							5199	1
		ATTACHING PARTS								
	BACS12CB3-6	. SCREW							5199	2
		-----*								
5	66-29065-1	. . MOUNTING, ADAPTER							5199	1
6	890700-1800	. . CONTROL UNIT, (V33525).							5199	1
		ATTACHING PARTS								
	MS20426D6	. . RIVET							5199	2
		-----*								
7	A159-1A	. CONTROL, FIRE WARNING BELL (V97896)							5199	1
		(OPTIONAL BAC SPEC NO. 10-3248)								
7	10-3248	. CONTROL, FIRE WARNING BELL.							5199	1
		(OPTIONAL TO A159-1A (V97896))								
8	10-3364	. FLASHER, OVERHEAT WARNING							5199	1
		ATTACHING PARTS								
	BACS12CB08-6	. SCREW							5199	8
		-----*								
		. FOR REFERENCE TO OTHER EQUIPMENT DETAILS, SEE NHA . . .							5199	

MISSING ITEM NUMBERS ARE NOT APPLICABLE

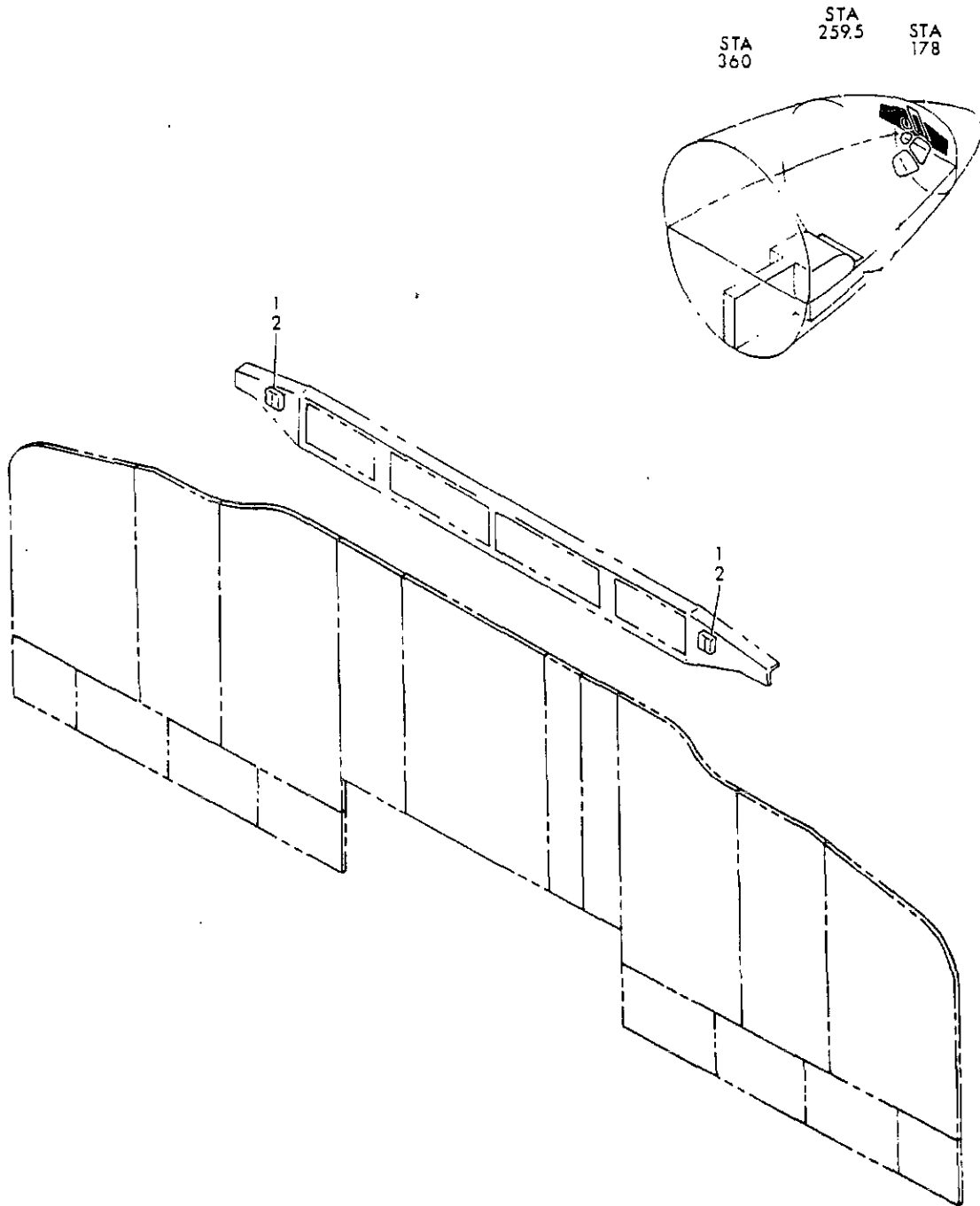


FIGURE 60. MODULE INSTL, CAPTAINS AND FIRST OFFICERS INSTRUMENT PANELS (FIRE PROTECTION ONLY)



PARTS CATALOG

FIGURE & ITEM NO.	MANUFACTURER'S PART NUMBER	NOMENCLATURE							EFF FROM TO	UNITS PER ASSY
		1	2	3	4	5	6	7		
60	65C10900-1	MODULE INSTL, CAPTAINS AND FIRST OFFICERS (INSTRUMENT . PANELS) (VARIABLE DWG; 65C10900-5003) (FIRE PROTECTION ONLY) (SEE 25-1, FIG. 2E, ITEM 107A)							5199	RF
1	611-1048-001	. LIGHT ASSY, INDICATING (FIRE PUSH TO RESET) (V81590)							5199	2
2	MS25237-387	. LAMP.							5199	4
		. FOR REFERENCE TO OTHER MODULE DETAILS, SEE NHA. . . .							5199	

MISSING ITEM NUMBERS ARE NOT APPLICABLE

BOEING *707* *Intercontinental* 
PARTS CATALOG

SECTION 02
FIRE EXTINGUISHING

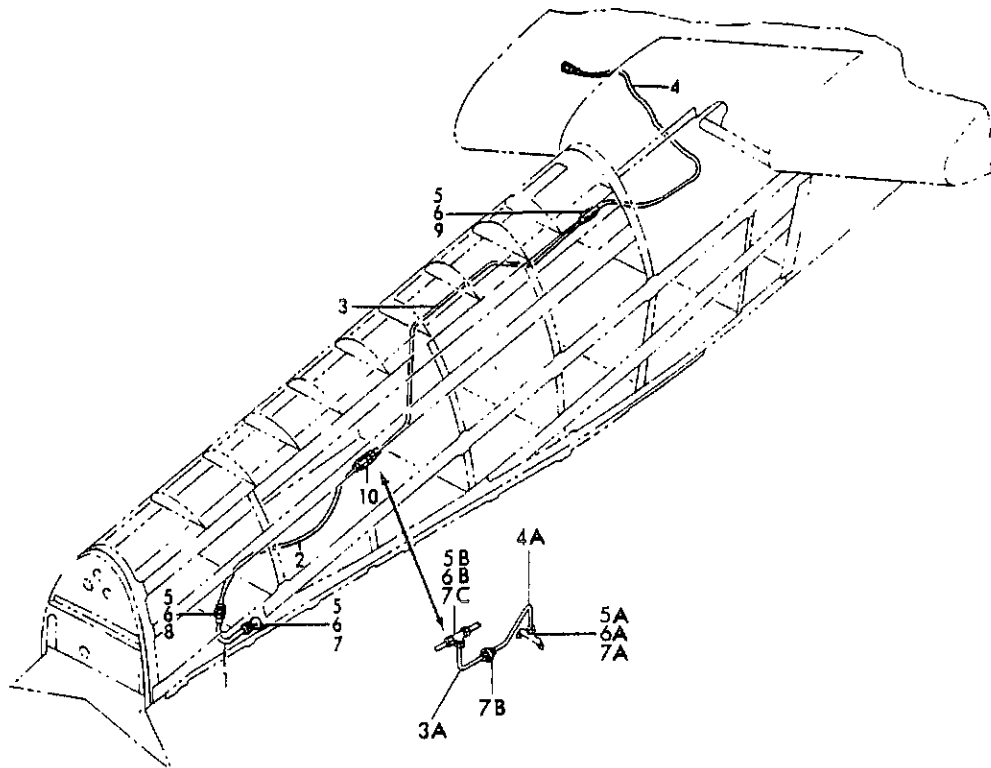
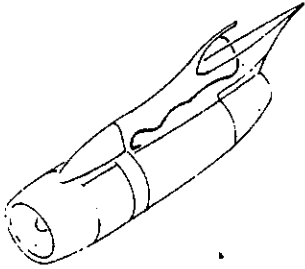


FIGURE 3A. PLUMBING INSTL, OUTBOARD NACELLE STRUT FIRE PROTECTION



PARTS CATALOG

FIGURE & ITEM NO.	MANUFACTURER'S PART NUMBER	NOMENCLATURE	EFF FROM TO	UNITS
				PER ASSY
3A	65-11904-405	PLUMBING INSTL, OUTBOARD NACELLE STRUT FIRE PROTECTION (SEE 54-1, FIG. 6A, ITEM 31, 54-1, FIG. 6B, ITEM 25 AND 54-1, FIG. 6C, ITEM 9)		RF
1	65-11904-26 MS21921-10C BACS13AP10	. TUBE ASSY, FIRE PROTECTION 5/8 .035 AISI304 NUT, (OPTIONAL MS21921-10) SLEEVE, (OPTIONAL MS21922-10)		1 2 2
2	65-11904-130	. TUBE ASSY, FIRE PROTECTION 5/8 IN. .035 AISI304		1
3	65-11904-386	. TUBE ASSY, FIRE PROTECTION 5/8 .035 AISI304		1
4	65-11904-335	. TUBE ASSY, FIRE PROTECTION 5/8 .035 AISI304 (NACELLE NO. 1)		1
4	65-11904-336	. TUBE ASSY, FIRE PROTECTION 5/8 .035 AISI304 (NACELLE NO. 4)		1
	MS21921D10	. . . NUT		2
	BACS13AP10	. . . SLEEVE, (OPTIONAL MS21922-10)		2
5	AN924-10	. . . NUT		3
6	AN960-1416	. . . WASHER		4
7	65-52085-3	. FITTING, FIRE EXTINGUISHER DISCHARGE		1
8	MS21924-10	. . . UNION		1
9	MS21924D10	. . . UNION		1
10	MS21902-10	. . . UNION		1

MISSING ITEM NUMBERS ARE NOT APPLICABLE

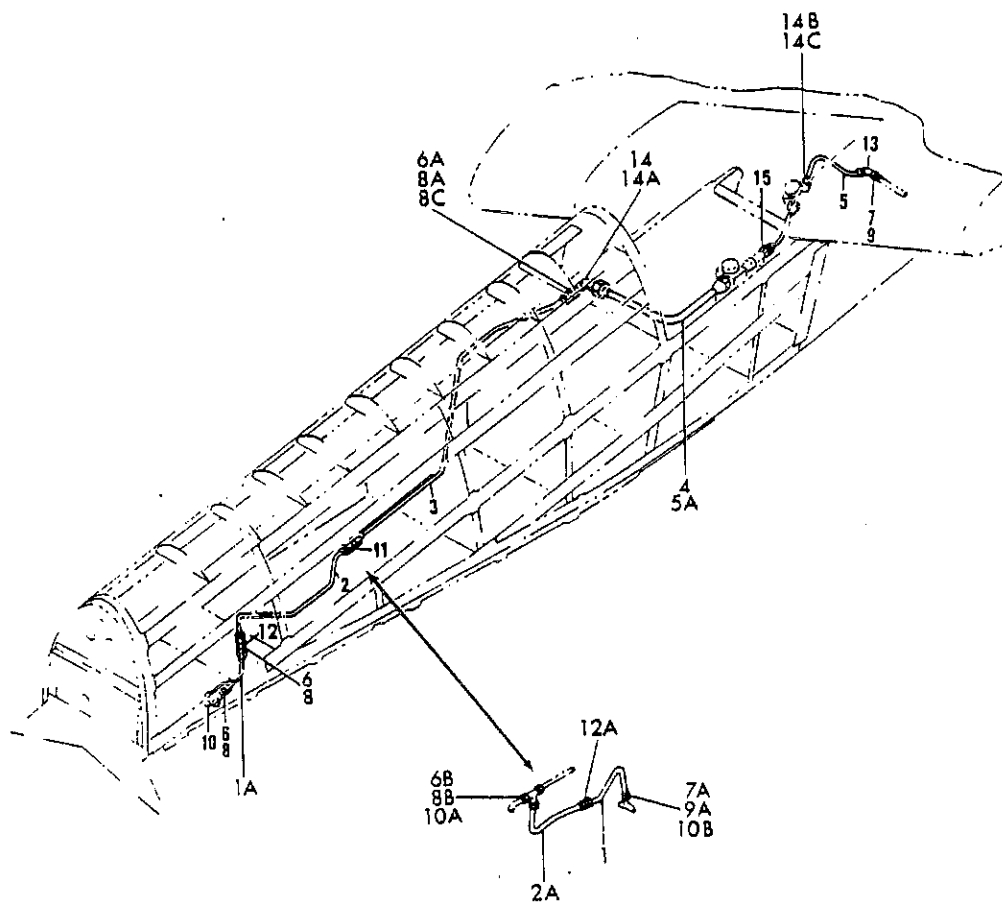
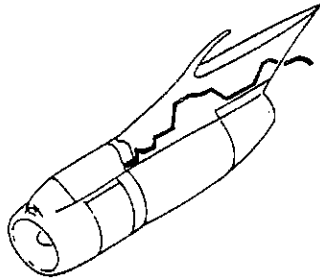


FIGURE 7A. PLUMBING INSTL, INBOARD NACELLE STRUT FIRE PROTECTION



PARTS CATALOG

FIGURE & ITEM NO.	MANUFACTURER'S PART NUMBER	NOMENCLATURE	EFF	
			FROM TO	UNITS PER ASSY
7A	65-11904-402	PLUMBING INSTL, INBOARD NACELLE STRUT FIRE PROTECTION . (SEE 54-1, FIG. 21A, ITEM 29, 54-1, FIG. 21B, ITEM 28 AND 54-1, FIG. 21C, ITEM 10)		RF
1A	65-11904-26	. TUBE ASSY, FIRE PROTECTION 5/8 IN. .035 AISI304		1
	MS21921-10C	. . . NUT (OPTIONAL MS21921-10)		2
	MS21921-10	. . . NUT (OPTIONAL TO MS21921-10C)		2
	BACS13AP10	. . . SLEEVE. (OPTIONAL MS21922-10)		2
	MS21922-10	. . . SLEEVE. (OPTIONAL TO BACS13AP10)		2
2	65-11904-128	. TUBE ASSY, FIRE PROTECTION 5/8 IN. .035 AISI304		1
3	65-11904-28	. TUBE ASSY, FIRE PROTECTION 5/8 .035 AISI304		1
4	65-11904-154	. TUBE ASSY, FIRE PROTECTION 5/8 IN. .035 AISI304		1
5	65-11904-333	. TUBE ASSY, FIRE PROTECTION 5/8 IN. .035 AISI304 (NACELLE NO. 2)		1
5	65-11904-334	. TUBE ASSY, FIRE PROTECTION 5/8 IN. .035 AISI304 (NACELLE NO. 3)		1
	MS21921D10	. . . NUT		2
	BACS13AP10	. . . SLEEVE. (OPTIONAL MS21922-10)		2
	MS21922-10	. . . SLEEVE. (OPTIONAL TO BACS13AP10)		2
6	AN924-10	. . . NUT		2
6A	AN924-10	. . . NUT		1
7	AN924-10D	. . . NUT		1
8	AN960-1416	. . . WASHER.		3
8A	AN960-1416	. . . WASHER.		2
9	AN960PD1416	. . . WASHER.		1
10	65-52085-3	. FITTING, FIRE EXTINGUISHER DISCHARGE.		1
11	MS21902D10	. . . UNION		1
12	MS21924-10	. . . UNION		1
13	MS21907D10	. . . ELBOW		1
14	MS21908D10	. . . ELBOW		1
15		VALVE AND TUBING INSTL, NO. 2 AND 3 STRUT FIRE. EXTINGUISHER (FOR REF SEE FIG. 13 AND 14)		RF

MISSING ITEM NUMBERS ARE NOT APPLICABLE

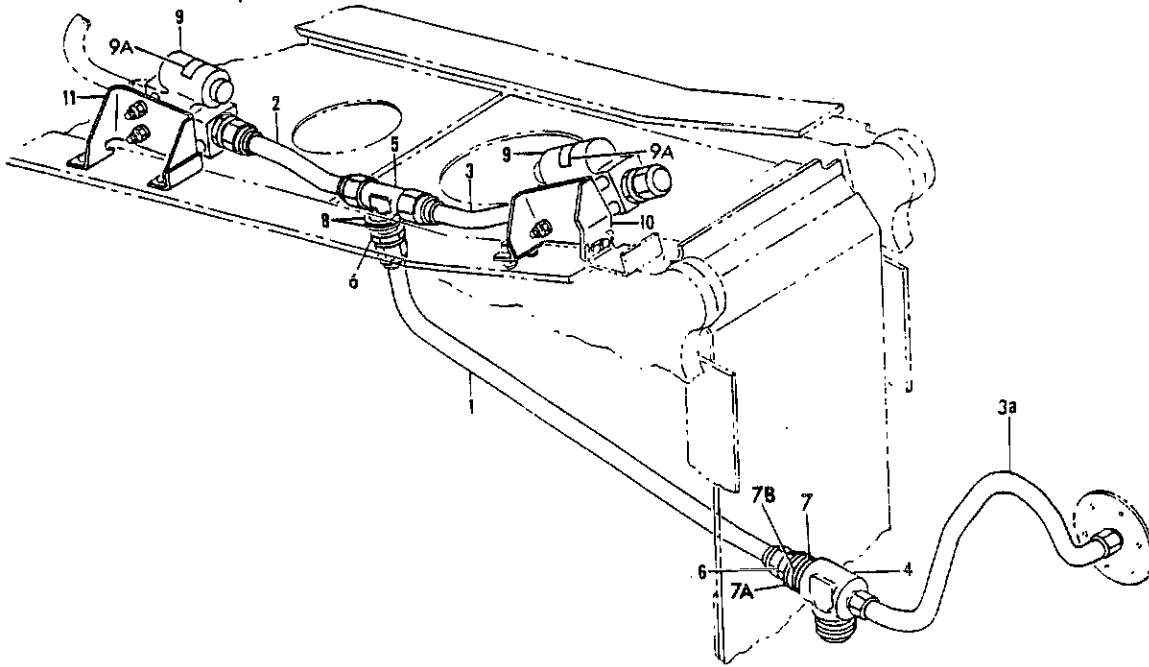
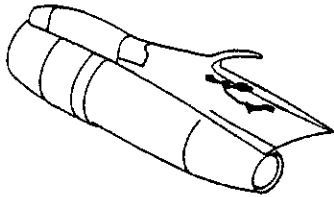


FIGURE 13. VALVE AND TUBING INSTL, NO. 2 STRUT FIRE EXTINGUISHER



PARTS CATALOG

FIGURE & ITEM NO.	MANUFACTURER'S PART NUMBER	NOMENCLATURE	EFF FROM TO	UNITS PER ASSY	
					1 2 3 4 5 6 7
R R R R R R R R R R R R	13	65-11903	0150	RF	
		65-11903-18	5199	RF	
	1	65-11903-2	. TUBE ASSY, FIRE PROTECTION 5/8.035 6061-T6.		1
	2	65-11903-7	. TUBE ASSY, FIRE PROTECTION 5/8.035 6061-T6.		1
	3	65-11903-8	. TUBE ASSY, FIRE PROTECTION 5/8.035 6061-T6.		1
		MS21921D10	. . . NUT		2
		MS21922-10	. . . SLEEVE, (OPTIONAL BACS13AP10)		2
	3A	601184-4-0110	. HOSE ASSY, (V00624)	5199	1
	4	4126-588598	. TEE, REDUCER (V92003)		1
	5	MS21909D10	. TEE		1
	6	AN924-10D	. NUT		2
	7	AN960C1416	. WASHER.		1
	7B	AN960D1416	. WASHER.		1
8	AN960C1416	. WASHER.		2	
9	10-3289-1	. VALVE ASSY, 600 PSI CBRF3 SOLENOID ACTUATED SHUTOFF (DELETED BY SB 3326)	0150	2	
9	10-3289-4	. VALVE ASSY, 600 PSI CBRF3 SOLENOID ACTUATED SHUTOFF (ADDED BY SB 3326)	0150	2	
9	10-3289-3	. VALVE ASSY, 600 PSI CBRF3 SOLENOID ACTUATED SHUTOFF	5199	2	
		ATTACHING PARTS			
		. BOLT.		6	
		. SPACER.		6	
		. WASHER.		6	
		. NUT		6	

	10	69-11784-12	. BRACKET ASSY, FIRE EXTINGUISHER VALVE	1	
		ATTACHING PARTS			
		. RIVET		2	
		. BOLT.		2	
		. COLLAR.		2	

	11	65-2616-13	. BRACKET ASSY, FIRE EXTINGUISHER VALVE	1	
		ATTACHING PARTS			
		. RIVET		3	
		. RIVET		2	
		. COLLAR.		2	

MISSING ITEM NUMBERS ARE NOT APPLICABLE

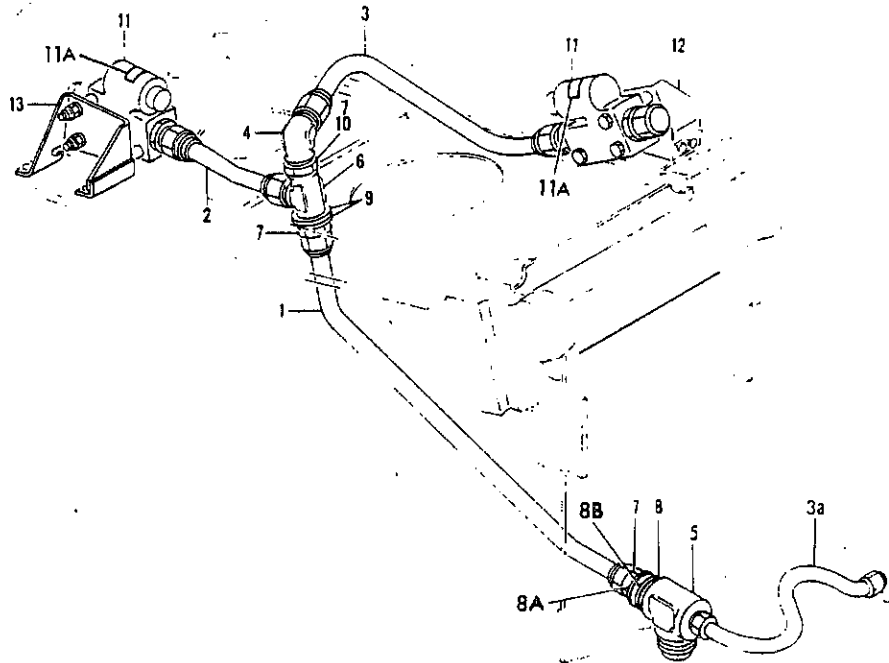
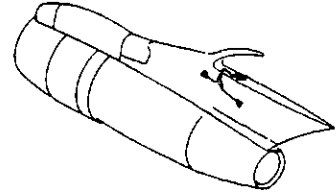


FIGURE 14. VALVE AND TUBING INSTL, NO. 3 STRUT FIRE EXTINGUISHER



PARTS CATALOG

FIGURE & ITEM NO.	MANUFACTURER'S PART NUMBER	NOMENCLATURE							EFF FROM TO	UNITS PER ASSY	
		1	2	3	4	5	6	7			
R R R R R R R R R R R R	14	65-11903-1	VALVE AND TUBING INSTL, NO. 3 STRUT FIRE EXTINGUISHER . (SEE 54-1, FIG. 21A, ITEM 20, 54-1, FIG. 21B, ITEM 19 AND 54-1, FIG. 21C, ITEM 30)							0150	RF
		65-11903-19	VALVE AND TUBING INSTL, NO. 3 STRUT FIRE EXTINGUISHER . (SEE 54-1, FIG. 21A, ITEM 20, 54-1, FIG. 21B, ITEM 19, 54-1, FIG. 21C, ITEM 30 AND 54-1, FIG. 21D, ITEM 8)							5199	RF
	1	65-11903-2	. TUBE ASSY, FIRE PROTECTION 5/8.035 6061-T6.								1
	2	65-11903-9	. TUBE ASSY, FIRE PROTECTION 5/8.035 6061-T6.								1
	3	65-11903-10	. TUBE ASSY, FIRE PROTECTION 5/8.035 6061-T6.								1
		MS21921D10	. . . NUT								2
		MS21922-10	. . . SLEEVE, (OPTIONAL BACS13AP10)								2
	3A	601184-4-0110	. HOSE ASSY, (V00624)							5199	1
	4	MS21908D10	. ELBOW								1
	5	4126-588598	. TEE, REDUCER (V92003)								1
	6	MS21911D10	. TEE								1
	7	AN924-10D	. NUT								3
	8	AN960C1416	. WASHER.								1
8B	AN960D1416	. WASHER.								1	
9	AN960C1416	. WASHER.								2	
10	AN6290-10	. PACKING								1	
11	10-3289-1	. VALVE ASSY, 600 PSI CBRF3 SOLENOID ACTUATED SHUTOFF . (DELETED BY SB 3326)							0150	2	
11	10-3289-4	. VALVE ASSY, 600 PSI CBRF3 SOLENOID ACTUATED SHUTOFF . (ADDED BY SB 3326)							0150	2	
11	10-3289-3	. VALVE ASSY, 600 PSI CBRF3 SOLENOID ACTUATED SHUTOFF . ATTACHING PARTS							5199	2	
	AN4-25A	. BOLT.								6	
	NAS420D8-40	. SPACER.								6	
	AN960-416L	. WASHER.								6	
	NAS679A3W	. NUT								6	
	12	69-11784-11	. BRACKET ASSY, FIRE EXTINGUISHER VALVE ATTACHING PARTS								1
	MS20470D5	. RIVET								2	
	BACB30AL12-21	. BOLT.								2	
	BACC30AF12	. COLLAR.								2	
	13	65-2616-13	. BRACKET ASSY, FIRE EXTINGUISHER VALVE ATTACHING PARTS								1
	MS20470D6	. RIVET								3	
	BACR15AY6-17	. RIVET								1	
	BACC30C6	. COLLAR.								1	

MISSING ITEM NUMBERS ARE NOT APPLICABLE

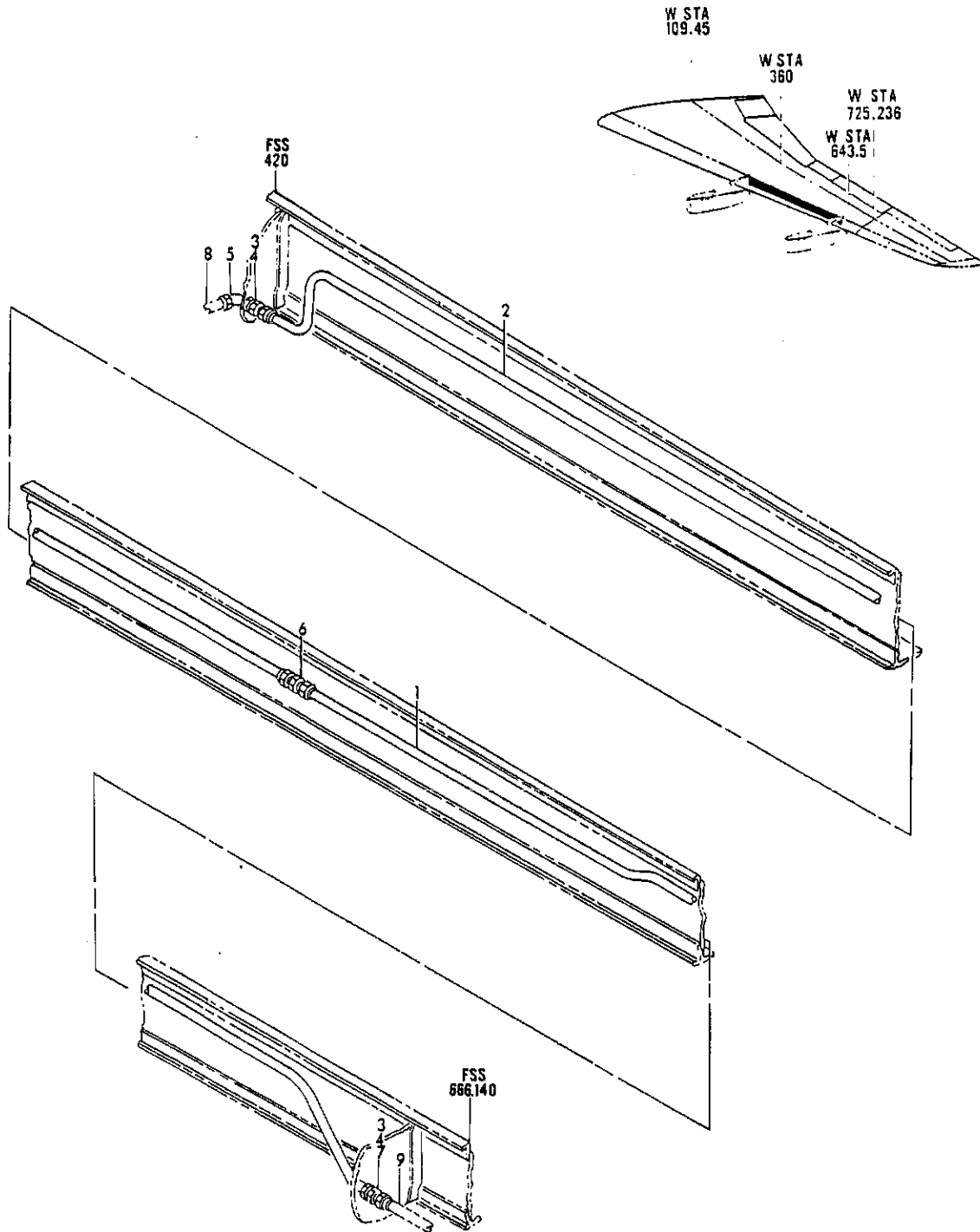


FIGURE 16. TUBING INSTL, SECTION 24 WING FIRE EXTINGUISHER



PARTS CATALOG

FIGURE & ITEM NO.	MANUFACTURER'S PART NUMBER	1 2 3 4 5 6 7	NOMENCLATURE	EFF FROM TO	UNITS PER ASSY
16	65-1636-21		TUBING INSTL, SECTION 24 WING FIRE EXTINGUISHER (LH). . (SEE 71-4, FIG. 1, ITEM 21)		RF
	65-1636-22		TUBING INSTL, SECTION 24 WING FIRE EXTINGUISHER (RH). . (SEE 71-4, FIG. 1, ITEM 21)		RF
1	65-1636-23		. TUBE ASSY, FIRE PROTECTION 5/8 .035 6061-T6 (LH ONLY)		1
1	65-1636-24		. TUBE ASSY, FIRE PROTECTION 5/8 .035 6061-T6 (RH ONLY)		1
2	65-1636-25		. TUBE ASSY, FIRE PROTECTION 5/8 .035 6061-T6		1
	MS21921-10D		. . NUT		2
	BACS13AP10		. . SLEEVE.		2
3	AN924-10D		. NUT		2
4	AN960PD1416		. WASHER.		2
5	MS21907D10		. ELBOW		1
6	MS21902D10		. UNION		1
7	MS21924D10		. UNION		1
8			TUBING INSTL, NO. 2 AND 3 INBOARD NACELLE STRUT (FOR. . REF SEE FIG. 3 AND FIG. 7A)		RF
9			TUBING INSTL, NO. 1 AND 4 OUTBOARD NACELLE STRUT (FOR. . REF SEE FIG. 3 AND FIG. 3A)		RF

MISSING ITEM NUMBERS ARE NOT APPLICABLE

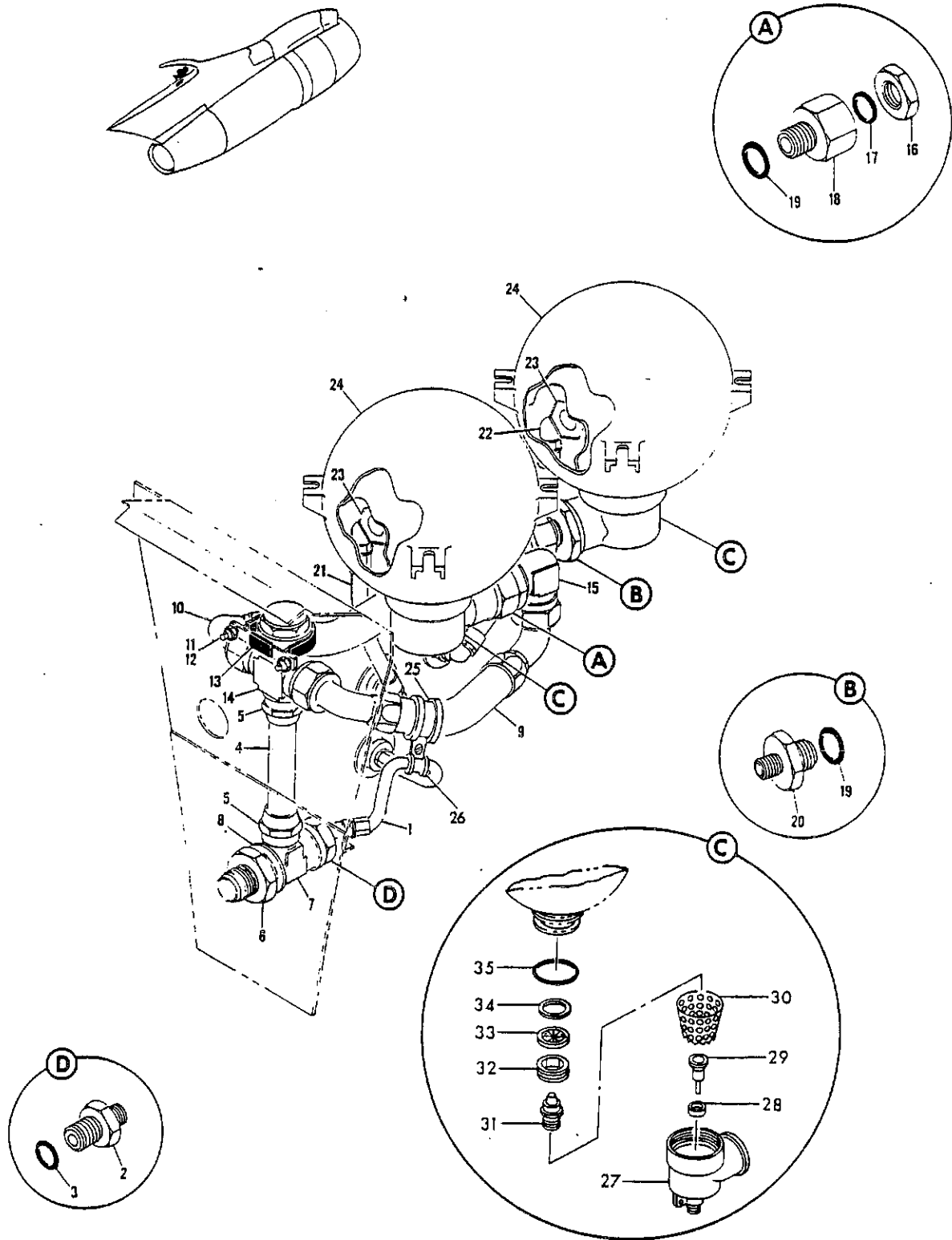


FIGURE 17. BOTTLE INSTL, FIRE EXTINGUISHER



PARTS CATALOG

FIGURE & ITEM NO.	MANUFACTURER'S PART NUMBER	NOMENCLATURE	EFF	UNITS
			FROM TO	PER ASSY
R R R R R R R R R R R R	17 50-11337-1	BOTTLE INSTL, FIRE EXTINGUISHER (LH) (SEE 71-1, FIG. 5A, ITEM 24, 71-4, FIG. 2, ITEM 15 AND 71-4, FIG. 1, ITEM 22)	0150	RF
	50-11337-2	BOTTLE INSTL, FIRE EXTINGUISHER (RH) (SEE 71-1, FIG. 5A, ITEM 24, 71-4, FIG. 2, ITEM 15 AND 71-4, FIG. 1, ITEM 22)	0150	RF
	50-11337-13	BOTTLE INSTL, FIRE EXTINGUISHER (LH) (SEE 71-1, FIG. 5A, ITEM 24, 71-4, FIG. 2, ITEM 15 AND 71-4, FIG. 1, ITEM 22)	5199	RF
	50-11337-14	BOTTLE INSTL, FIRE EXTINGUISHER (RH) (SEE 71-1, FIG. 5A, ITEM 24 AND 71-4, FIG. 1, ITEM 22)	5199	RF
	1 601184-4-0110	. HOSE ASSY, (V00624)	0150	1
	4 50-11337-7	. TUBE ASSY, FIRE PROTECTION 1 .049 5052-0		1
	5 NAS593-16	. NUT		2
	9 270-601651M0141	. HOSE ASSY, (V00624) (LH ONLY)		1
	9 270-601651M0141	. HOSE ASSY, (V00624) (RH ONLY)	5199	1
	9 090-601651M0141	. HOSE ASSY, (V00624) (RH ONLY)	0150	1
	10 601649-1600140	. HOSE ASSY, (V00624)		1
	11 NAS603-10	. SCREW		2
	12 NAS679A3W	. NUT		2
13 BACC10DG32DHS	. CLAMP (OPTIONAL BACC10BT32D)		1	
13 BACC10BT32D	. CLAMP (OPTIONAL TO BACC10DG32DHS)		1	
14 966301	. TEE, DOUBLE CHECK (V33525)		1	
15 AN833-16D	. ELBOW		1	
16 AN924-16D	. NUT		1	
17 BACP11H16	. PACKING		1	
18 AN893-24D	. BUSHING		1	
19 BACP11H20	. PACKING		2	
20 AN919-26D	. REDUCER		1	
21 180-601657F0073	. HOSE ASSY, (V00624)		1	
22 205-601658F0094	. HOSE ASSY, (V00624) (LH ONLY)		1	
22 155-601658F0094	. HOSE ASSY, (V00624) (RH ONLY)		1	
23 802722	. DISCHARGE ASSY, OUTBOARD (V33525)	0150	2	
23 802722	. DISCHARGE ASSY, OUTBOARD (V33525) (USED WITH BAC. SPEC NO. 10-3275-5)	5199	2	
24 10-3275-5	. BOTTLE ASSY, FIRE EXTINGUISHER.	0150	2	
24 10-3275-5	. BOTTLE ASSY, FIRE EXTINGUISHER. (OPTIONAL BAC SPEC NO. 10-3275-20)	5199	2	
24 10-3275-20	. BOTTLE ASSY, FIRE EXTINGUISHER. (OPTIONAL TO BAC SPEC NO. 10-3275-5 WITH 802722 (V33525))	5199	2	
	ATTACHING PARTS			
	. BOLT.		8	
	. WASHER, PLAIN		8	

MISSING ITEM NUMBERS ARE NOT APPLICABLE

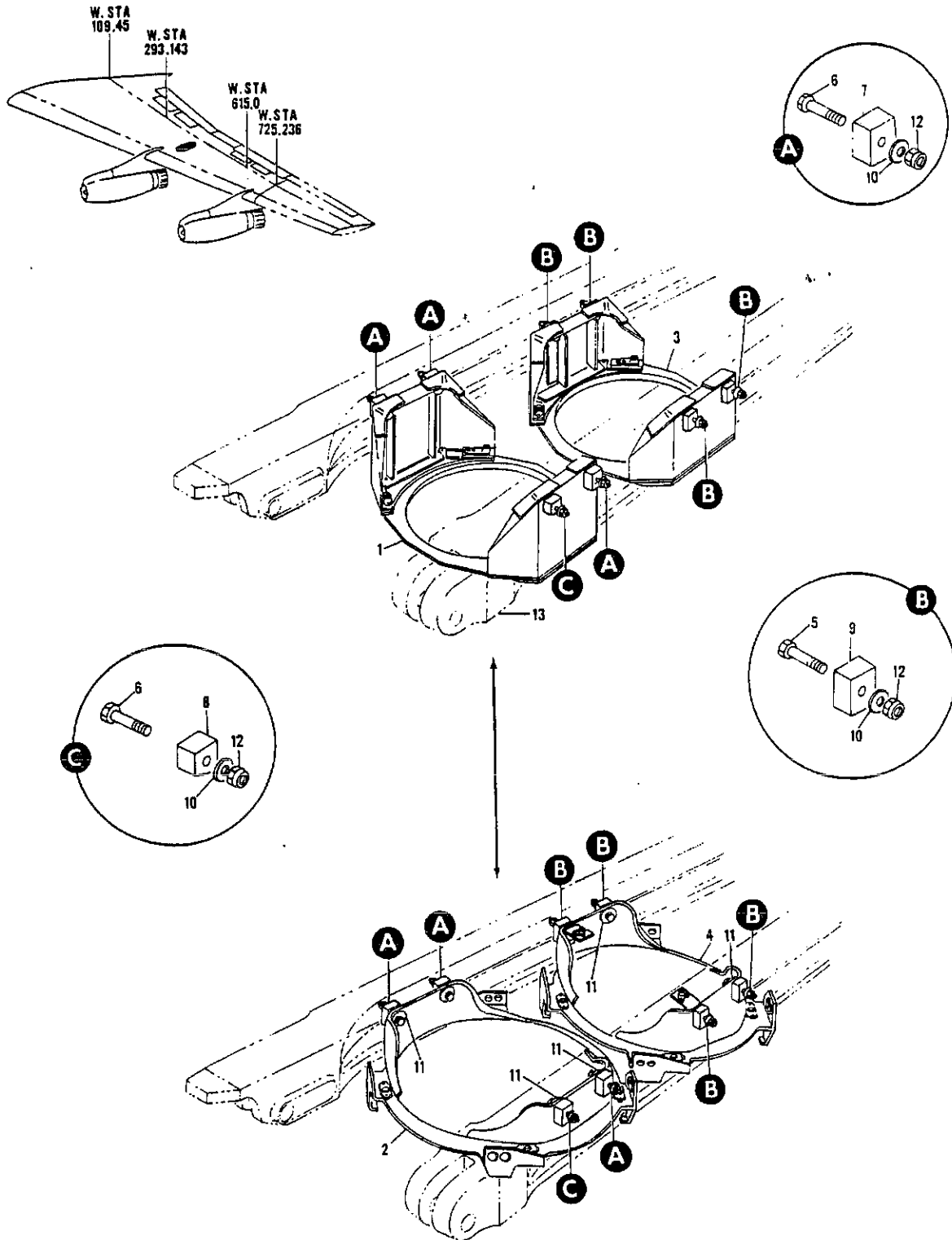


FIGURE 21. SUPPORT INSTL, FIRE EXTINGUISHING BOTTLE



PARTS CATALOG

FIGURE & ITEM NO.	MANUFACTURER'S PART NUMBER	1 2 3 4 5 6 7	NOMENCLATURE	EFF	UNITS
				FROM TO	PER ASSY
21	65-1150-11		SUPPORT INSTL, FIRE EXTINGUISHING BOTTLE (LH) (SEE. . . 71-1, FIG. 5A, ITEM 25, 71-4, FIG. 1, ITEM 23 AND 71-4, FIG. 2, ITEM 16)		RF
	65-1150-12		SUPPORT INSTL, FIRE EXTINGUISHING BOTTLE (RH) (SEE. . . 71-1, FIG. 5A, ITEM 25, 71-4, FIG. 1, ITEM 23 AND 71-4, FIG. 2, ITEM 16)		RF
1	65-1150-45		. BRACKET ASSY, FIRE EXTINGUISHING BOTTLE SUPPORT . . . FORWARD LH (LH ONLY)		1
1	65-1150-46		. BRACKET ASSY, FIRE EXTINGUISHING BOTTLE SUPPORT . . . FORWARD RH (RH ONLY)		1
3	65-1150-43		. BRACKET ASSY, FIRE EXTINGUISHING BOTTLE SUPPORT REAR LH (LH ONLY)		1
3	65-1150-44		. BRACKET ASSY, FIRE EXTINGUISHING BOTTLE SUPPORT REAR RH (RH ONLY)		1
			ATTACHING PARTS		
5	NAS1103-12W		. BOLT.		4
6	NAS1103-14W		. BOLT.		4
7	63-8637		. SPACER, INBOARD STRUT FIRE EXTINGUISHING BOTTLE . . . FORWARD		3
8	63-8637-2		. SPACER, INBOARD STRUT FIRE EXTINGUISHING BOTTLE . . . FORWARD		1
9	63-8637-1		. SPACER, INBOARD STRUT FIRE EXTINGUISHING BOTTLE AFT .		4
10	AN960PD10		. WASHER.		8
12	NAS679C3W		. NUT		8
13			-----* SUPPORT INSTL, INBOARD NACELLE FORWARD DRAG (FOR REF. . SEE 57-3, FIG. 17)		RF

MISSING ITEM NUMBERS ARE NOT APPLICABLE

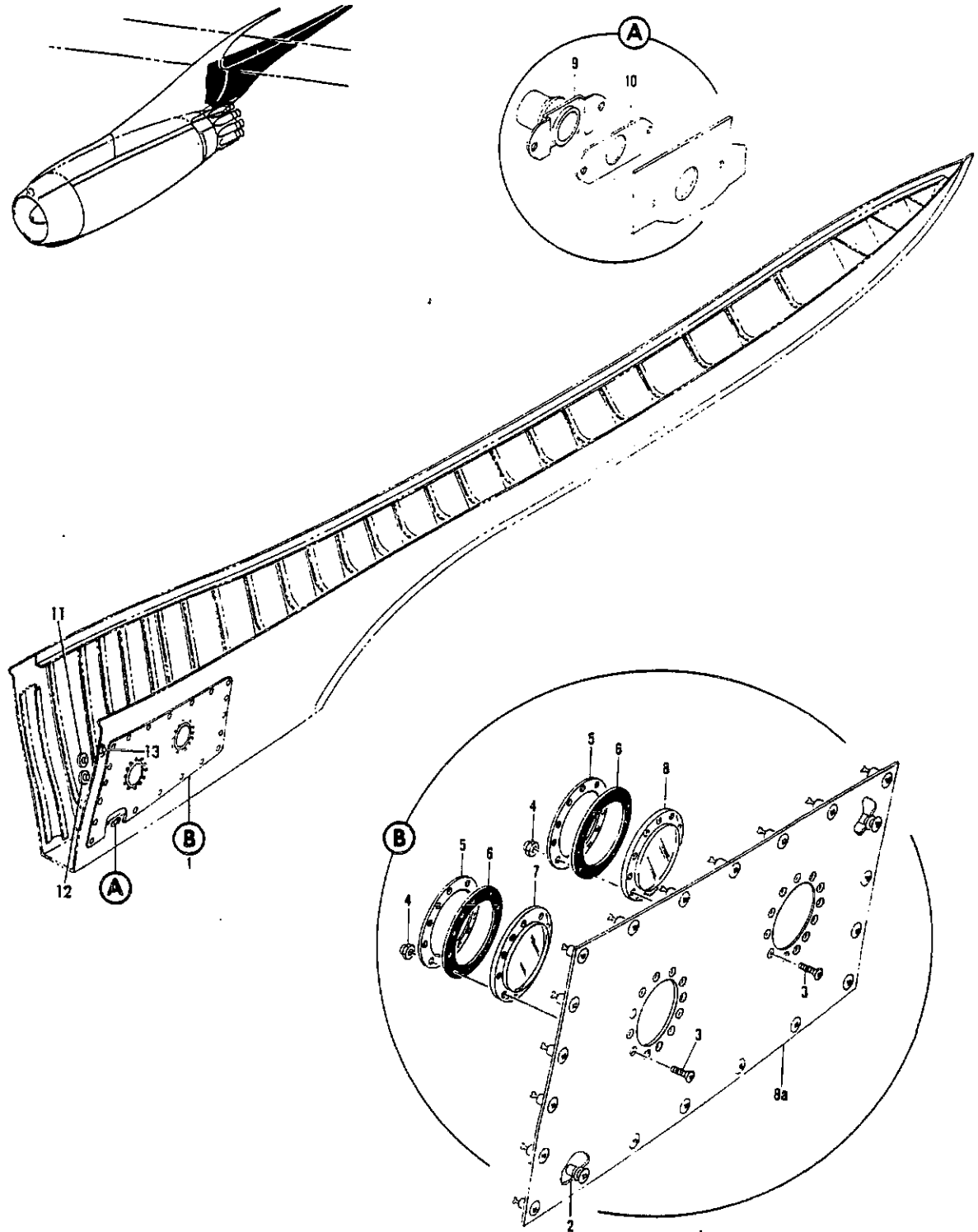


FIGURE 23. FAIRING ASSY, NO. 2 AND 3 INBOARD NACELLE STRUT TRAILING EDGE (FIRE PROTECTION ONLY)



PARTS CATALOG

FIGURE & ITEM NO.	MANUFACTURER'S PART NUMBER	NOMENCLATURE							EFF FROM TO	UNITS PER ASSY
		1	2	3	4	5	6	7		
23	5-85626-3167	FAIRING ASSY, NO. 2 INBOARD NACELLE STRUT TRAILING EDGE (FIRE PROTECTION ONLY) (SEE 54-1, FIG. 18, ITEM 38)								RF
	5-85626-3168	FAIRING ASSY, NO. 3 INBOARD NACELLE STRUT TRAILING EDGE (FIRE PROTECTION ONLY) (SEE 54-1, FIG. 18, ITEM 38)								RF
1	65-2111-27	. DOOR ASSY, FIRE EXTINGUISHING ACCESS (NACELLE NO. 2)								1
1	65-2111-28	. DOOR ASSY, FIRE EXTINGUISHING ACCESS (NACELLE NO. 3)								1
2	BACS21AE4A4	. STUD ASSY								21
3	NAS517-3-5	. SCREW								24
4	NAS679A3W	. NUT								24
5	66-1653-1	. PLATE, FIRE EXTINGUISHING ACCESS DOOR								2
6	66-2366-1	. GASKET, FIRE EXTINGUISHING ACCESS DOOR.								2
7	69-22693-1	. WINDOW, FIRE EXTINGUISHING ACCESS DOOR.								1
8	69-22693-2	. WINDOW, FIRE EXTINGUISHING ACCESS DOOR.								1
8A	65-2111-29	. DOOR ASSY, FIRE EXTINGUISHING BONDED ACCESS (NACELLE NO. 2)								1
8A	65-2111-30	. DOOR ASSY, FIRE EXTINGUISHING BONDED ACCESS (NACELLE NO. 3)								1
9	BACR11AE2	. FASTENER.								21
10	BACS18Y1A14-03	. SPACER.								21
11	802682	. INDICATOR ASSY, EXTINGUISHING AGENT THERMAL DISCHARGE (V33525) (SEE FIG. 25)								1
12	802681	. INDICATOR ASSY, SYSTEM DISCHARGE (V33525) (SEE FIG. 24)								1
13	802682	. INDICATOR ASSY, EXTINGUISHING AGENT THERMAL DISCHARGE (V33525) (SEE FIG. 25)								1
		. FOR REFERENCE TO OTHER FAIRING DETAILS, SEE NHA . . .								

MISSING ITEM NUMBERS ARE NOT APPLICABLE

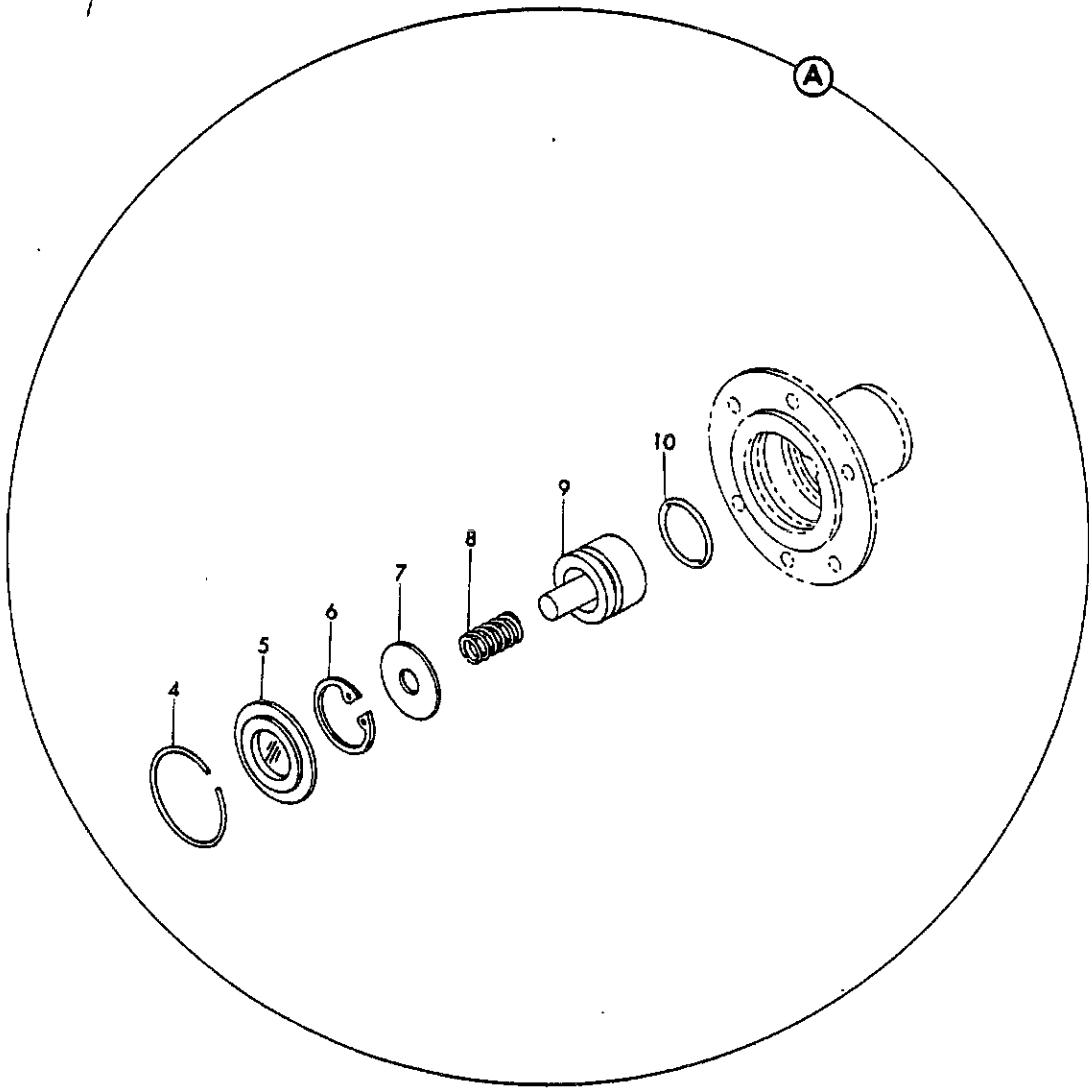
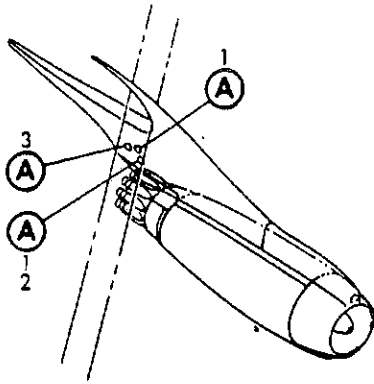


FIGURE 24. INDICATOR ASSY, SYSTEM DISCHARGE

FIGURE & ITEM NO.	MANUFACTURER'S PART NUMBER	NOMENCLATURE							EFF FROM TO	UNITS PER ASSY	
		1	2	3	4	5	6	7			
24	2	802681	INDICATOR ASSY, SYSTEM DISCHARGE (V33525) (SEE FIG. 23, ITEM 12)								RF
M	4	17917	. RING, SPLIT (V33525)								1
M	5	801523	. DISC AND RETAINER ASSY, (V33525)								1
M	6	1848-0010	. RING, RETAINING (V33525)								1
M	7	202000	. WASHER, (V33525)								1
M	8	201679	. SPRING, (V33525)								1
M	9	201999	. PISTON, (V33525)								1
M	10	AN6227-7	. PACKING								1
MISSING ITEM NUMBERS ARE NOT APPLICABLE											

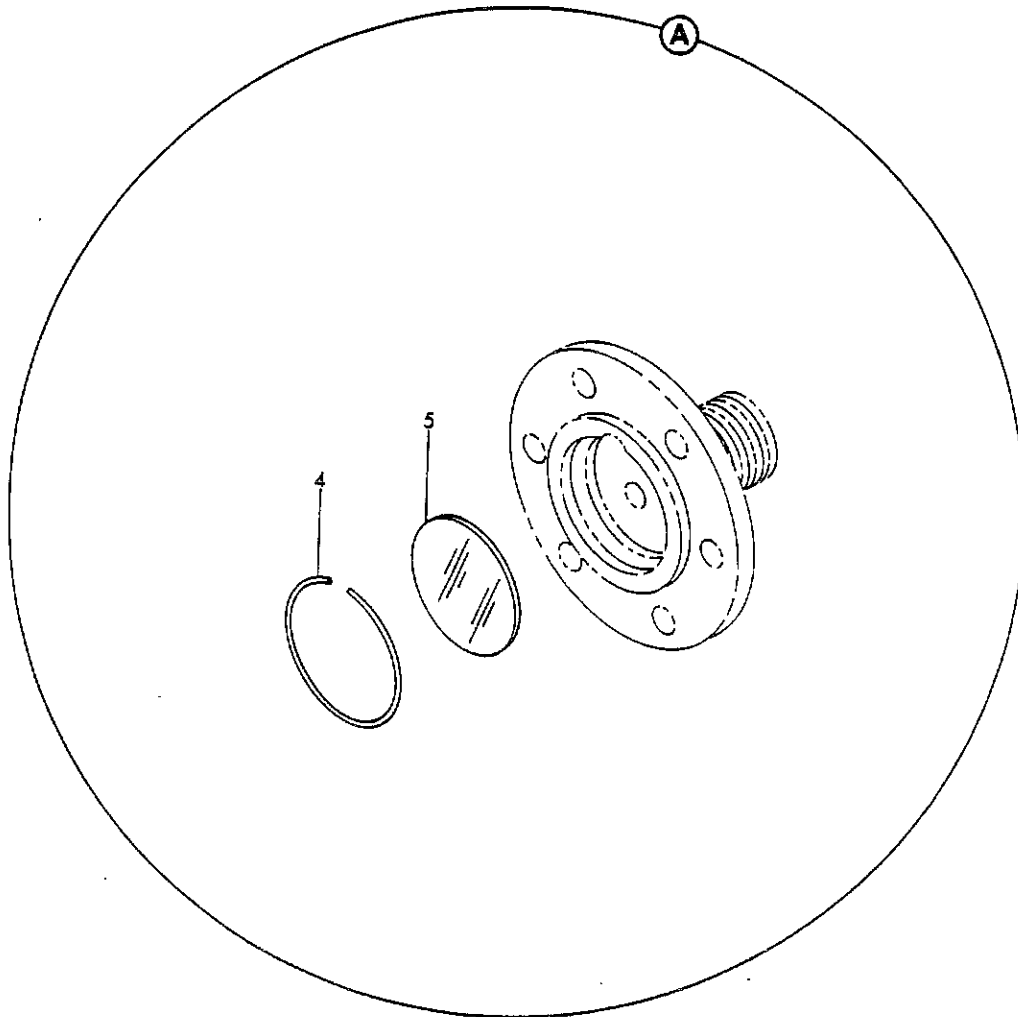
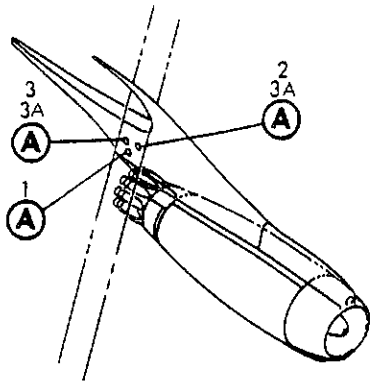


FIGURE 25. INDICATOR ASSY, EXTINGUISHER AGENT THERMAL DISCHARGE



PARTS CATALOG

FIGURE & ITEM NO.	MANUFACTURER'S PART NUMBER	NOMENCLATURE							EFF FROM TO	UNITS PER ASSY	
		1	2	3	4	5	6	7			
25	2	802682	INDICATOR ASSY, EXTINGUISHING AGENT THERMAL DISCHARGE . (V33525) (SEE FIG. 23, ITEM 11)								RF
	3	802682	INDICATOR ASSY, EXTINGUISHING AGENT THERMAL DISCHARGE . (V33525) (SEE FIG. 23, ITEM 13)								RF
	M 4	17917	. RING, SPLIT (V33525).								1
	M 5	17919	. DISC, RED (V33525).								1

MISSING ITEM NUMBERS ARE NOT APPLICABLE

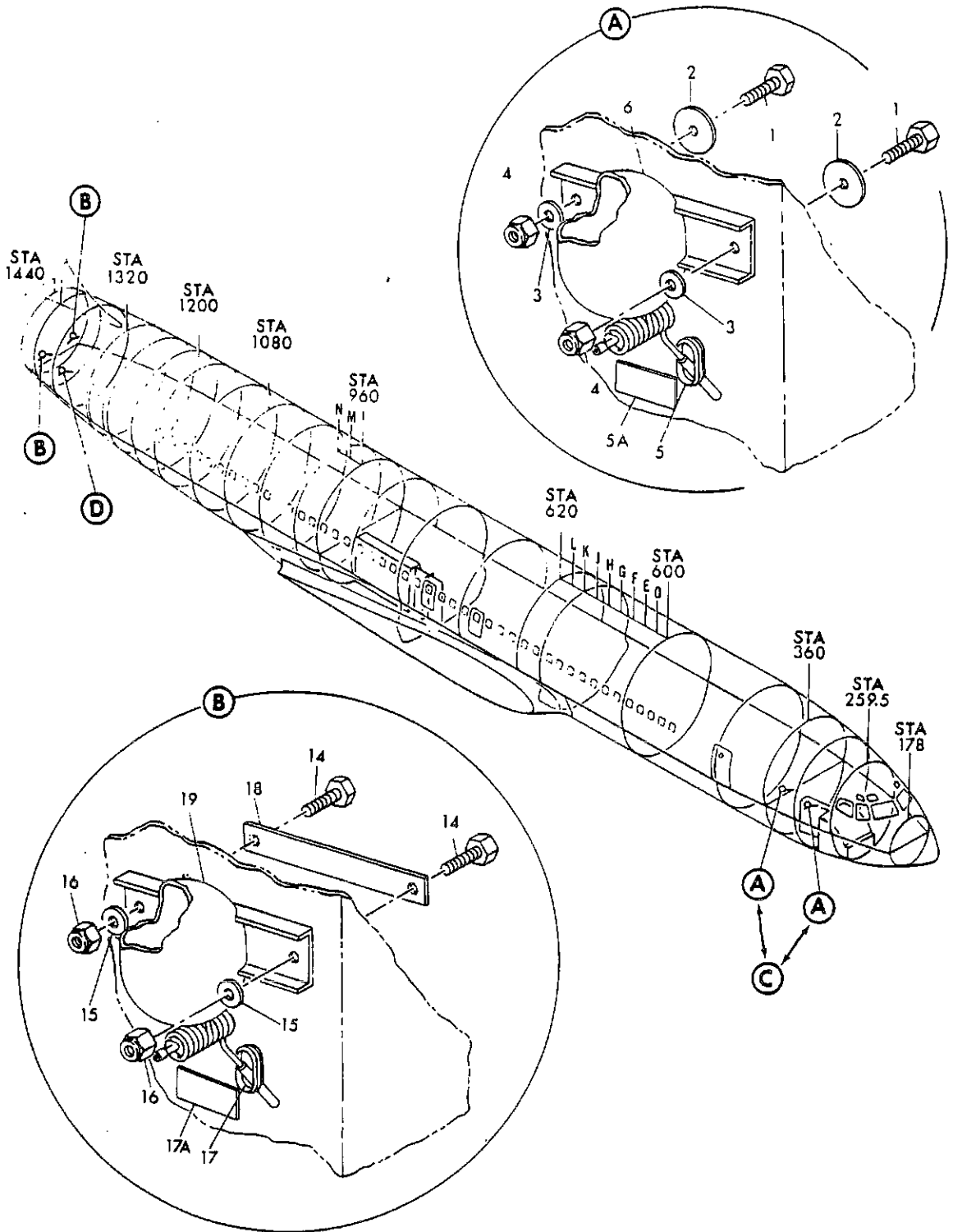


FIGURE 26. EXTINGUISHER INSTL, LAVATORY (SHEET 1)

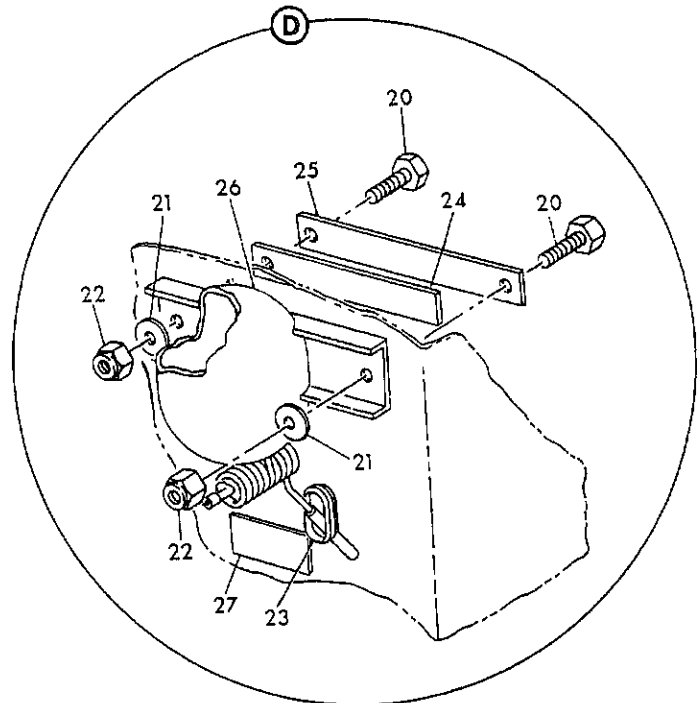
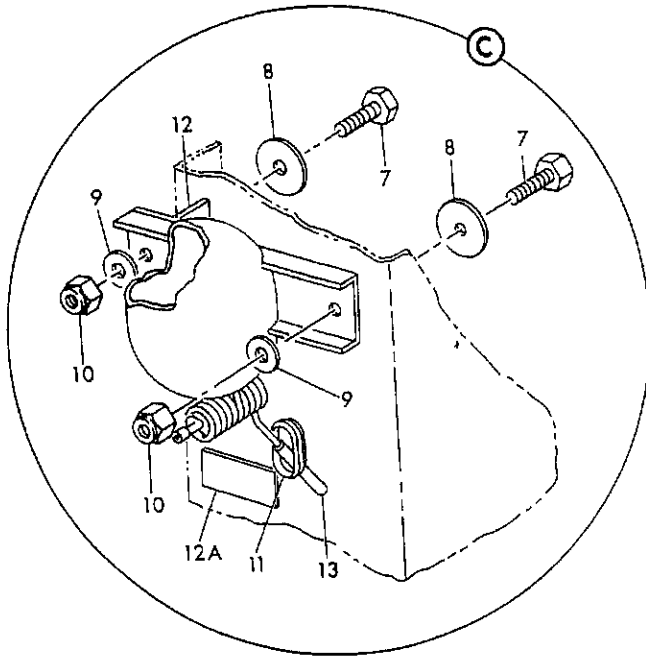
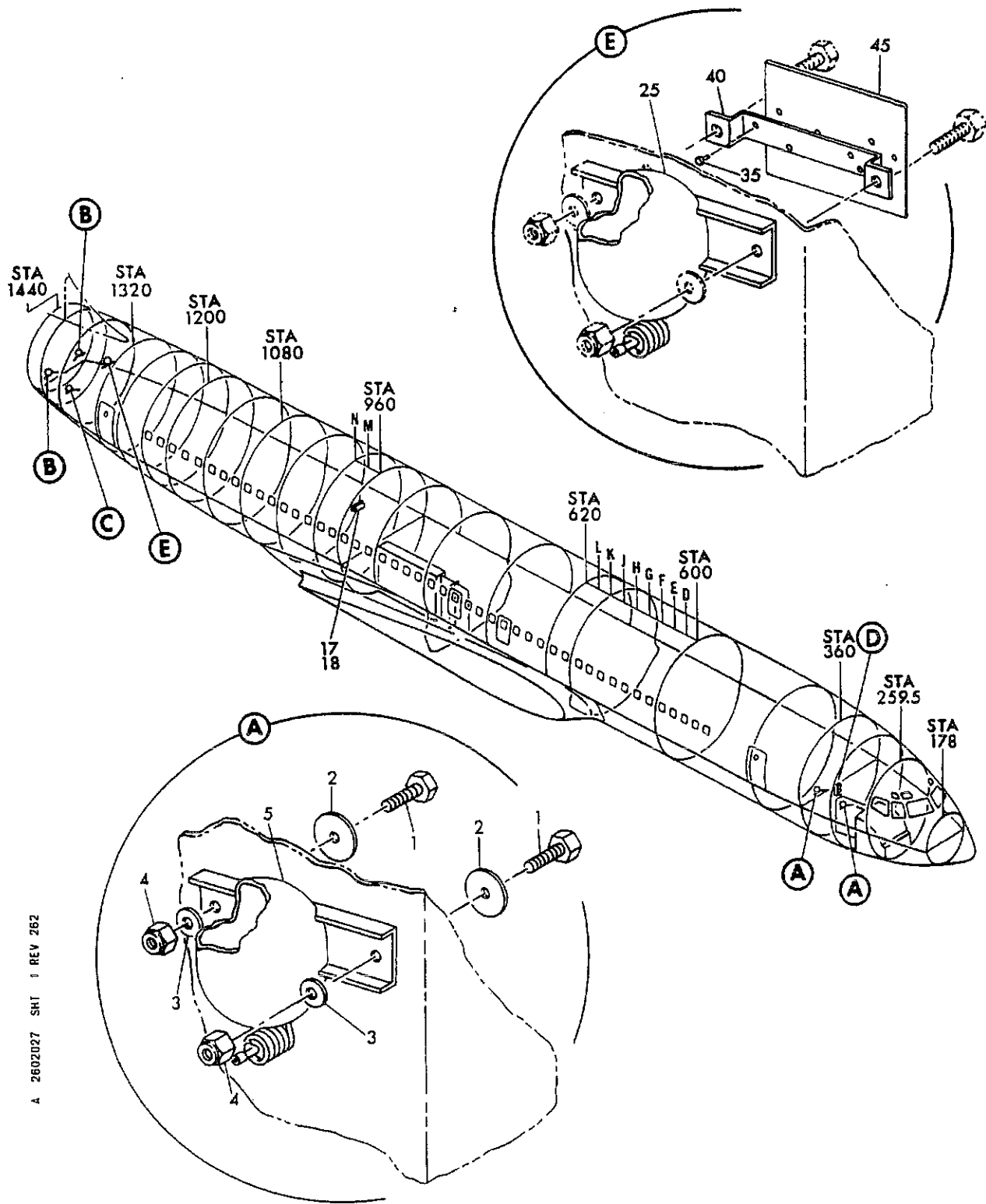
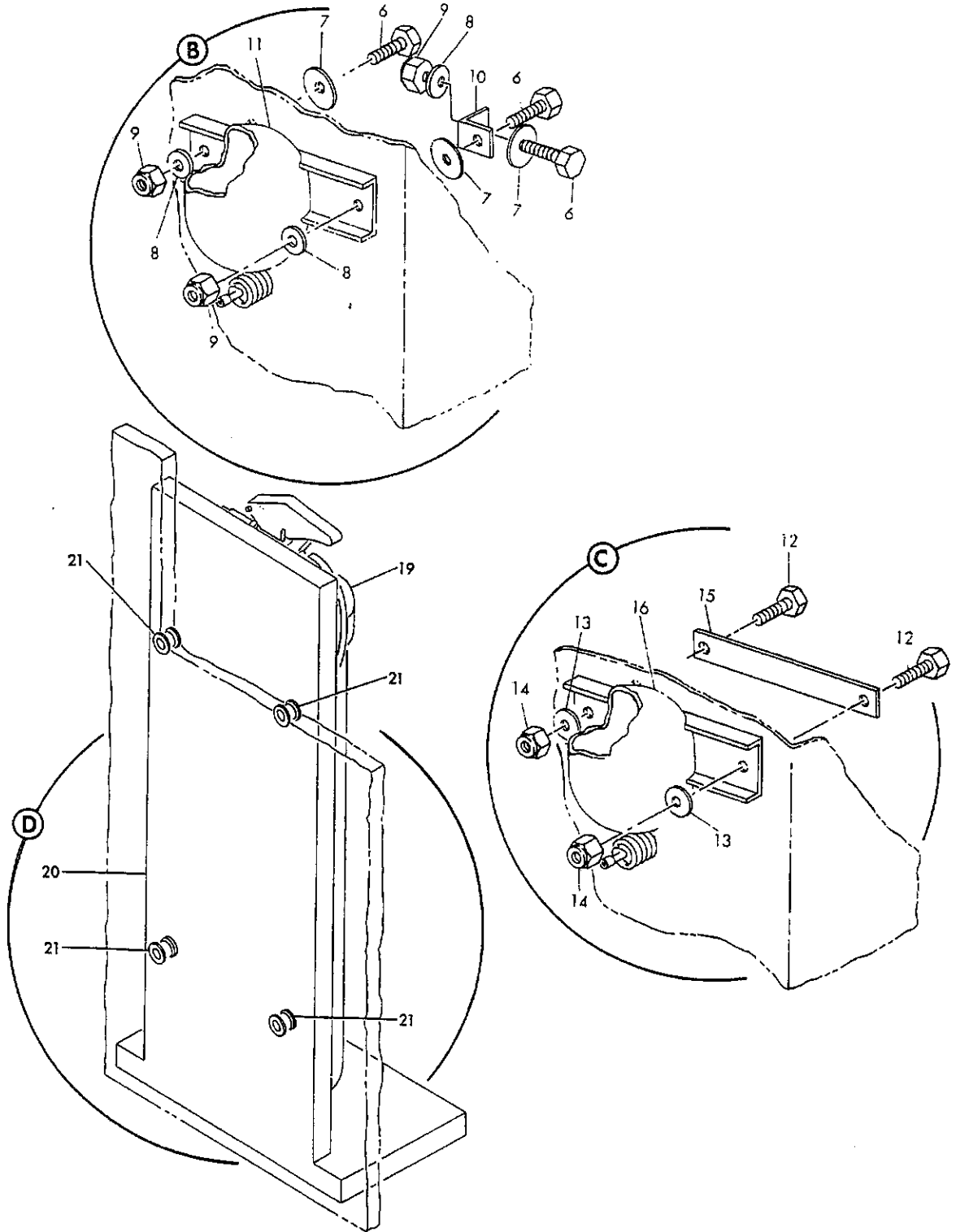


FIGURE 26. EXTINGUISHER INSTL, LAVATORY (SHEET 2)



A 2602027 SH1 1 REV 262

EXTINGUISHER INSTL, LAVATORY
FIGURE 27. EXTINGUISHER INSTL, DRY CHEMICAL FIRE (SHEET 1)



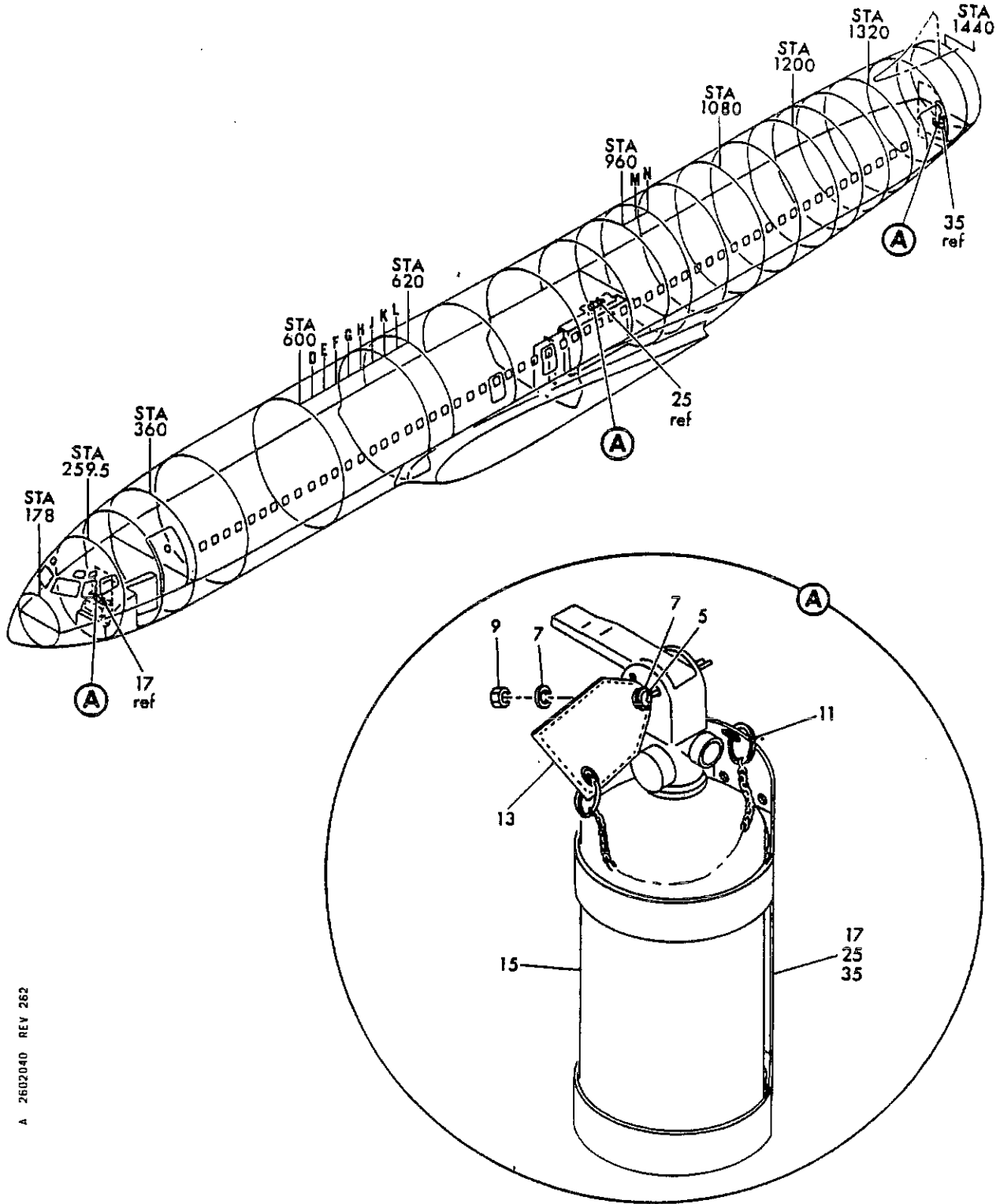
EXTINGUISHER INSTL, LAVATORY
 FIGURE 27, EXTINGUISHER INSTL, DRY CHEMICAL FIRE (SHEET 2)



PARTS CATALOG

FIGURE & ITEM NO.	MANUFACTURER'S PART NUMBER	NOMENCLATURE							EFF FROM TO	UNITS PER ASSY
		1	2	3	4	5	6	7		
27	65C12927-1	EXTINGUISHER INSTL, LAVATORY.							0150	RF
		. EXTINGUISHER INSTL, LAVATORY A (ADDED BY SB 3177) (SEE 25-15, FIG. 1, ITEM 6A, 25-15, FIG. 13, ITEM 28A, 25-15, FIG. 14, ITEM 12A, 25-15, FIG. 14A, ITEM 30, 25-15, FIG. 14C, ITEM 30A, 25-15, FIG. 14D, ITEM 28A AND 25-15, FIG. 14H, ITEM 28A)							0150	
1	BACS12CB3-7	. . . SCREW							0150	2
2	AN970-3	. . . WASHER.							0150	2
3	AN960PD10	. . . WASHER.							0150	2
4	BACN10JC3	. . . NUT							0150	2
5	10-61909-2	. . . EXTINGUISHER ASSY, (SAME AS A800100-2 (V61423), . . . 30100022-2 (V05167))							0150	1
5	30100022-2	. . . EXTINGUISHER ASSY, (SAME AS BAC SPEC DWG; 10-61909-2) (V05167) (OPT TO A800100-2 (V61423))							0150	1
5	A800100-2	. . . EXTINGUISHER ASSY, (SAME AS BAC SPEC DWG; 10-61909-2) (V61423) (OPT TO 30100022-2 (V05167))							0150	1
	65C12927-3	. EXTINGUISHER INSTL, LAVATORIES C AND D (ADDED BY . . . SB 3177) (SEE 25-15, FIG. 1, ITEM 9A, 25-15, FIG. 2, ITEM 40A, 25-15, FIG. 3, ITEM 38A, 25-15, FIG. 4, ITEM 42A, 25-15, FIG. 6, ITEM 43A, 25-15, FIG. 10, ITEM 50A, 25-15, FIG. 12A, ITEMS 39A AND 40A, 25-15, FIG. 12G, ITEM 13A, 25-15, FIG. 12H, ITEM 9B, 25-15, FIG. 13, ITEM 30A, 25-15, FIG. 13M, ITEMS 32A AND 32B, 25-15, FIG. 14A, ITEM 33A, 25-15, FIG. 14B, ITEM 9A, 25-15, FIG. 14C, ITEMS 31A AND 32A, 25-15, FIG. 14D, ITEM 28B, 25-15, FIG. 14E, ITEM 31A, 25-15, FIG. 14H, ITEM 30A, 25-15, FIG. 14K, ITEM 27A AND 25-15, FIG. 14M, ITEM 28A)							0150	RF
6	BACS12CB3-7	. . . SCREW							0150	3
7	AN970-3	. . . WASHER.							0150	3
8	AN960PD10	. . . WASHER.							0150	3
9	BACN10JC3	. . . NUT							0150	3
10	BACB2D10EE	. . . ANGLE							0150	1
11	10-61909-2	. . . EXTINGUISHER ASSY, (SAME AS 30100022-2 (V05167), . . . A800100-2 (V61423))							0150	1
11	30100022-2	. . . EXTINGUISHER ASSY, (SAME AS BAC SPEC DWG; 10-61909-2) (V05167) (OPT TO A800100-1 (V61423))							0150	1
11	A800100-2	. . . EXTINGUISHER ASSY, (SAME AS BAC SPEC DWG; 10-61909-2) (V61423) (OPT TO 30100022-2 (V05167))							0150	1
25	B00100-2	. EXTINGUISHER, (VZ0264) (ADDED BY RAF MOD. 7211.019-217) ATTACHING PARTS							0150	1
	NAS603-16	. SCREW, (ADDED BY RAF MOD 7211.019-217).							0150	2
35	MS20426AD3-4	. RIVET, (ADDED BY RAF MOD 7211.019-217).							0150	4
40	ZADI2866-02	. BRACKET, (VZ0268) (ADDED BY RAF MOD 7211.019-217) . . .							0150	1
45	ZADI2866-01	. PLATE, (VZ0268) (ADDED BY RAF MOD 7211.019-217) . . .							0150	1

MISSING ITEM NUMBERS ARE NOT APPLICABLE



A 2602040 REV 262

FIGURE 40. FIRE PROTECTION, FIRE EXTINGUISHING (SHEET 1)



PARTS CATALOG

FIGURE & ITEM NO.	MANUFACTURER'S PART NUMBER	NOMENCLATURE	EFF	UNITS	
			FROM TO	PER ASSY	
R R R R R R R R R R R R R R R R R	40	50-11337-1	BOTTLE INSTL, FIRE EXTINGUISHER (LH) (ADDED AND REWORKED BY RAF MOD 7211.019-221) (SEE 71-1, FIG. 5A, ITEM 24, 71-4, FIG. 2, ITEM 15 AND 71-4, FIG. 1, ITEM 22)	0150	RF
		50-11337-2	BOTTLE INSTL, FIRE EXTINGUISHER (RH) (ADDED AND REWORKED BY RAF MOD 7211.019-221) (SEE 71-1, FIG. 5A, ITEM 24, 71-4, FIG. 2, ITEM 15 AND 71-4, FIG. 1, ITEM 22)	0150	RF
		50-11337-13	BOTTLE INSTL, FIRE EXTINGUISHER (LH) (ADDED AND REWORKED BY RAF MOD 7211.019-221) (SEE 71-1, FIG. 5A, ITEM 24, 71-4, FIG. 2, ITEM 15 AND 71-4, FIG. 1, ITEM 22)	5199	RF
		50-11337-14	BOTTLE INSTL, FIRE EXTINGUISHER (RH) (ADDED AND REWORKED BY RAF MOD 7211.019-221) (SEE 71-1, FIG. 5A, ITEM 24, 71-4, FIG. 2, ITEM 15 AND 71-4, FIG. 1, ITEM 22)	5199	RF
	5	NAS623-2-5	. SCREW		3
	7	AN960PD8L	. WASHER		6
	9	MS21042L08	. NUT		3
	11	345318	. RING, (VZ0268)		3
	13	BCREFA3263	. TAG, PULL		AR
	15	B0300SD0	. EXTINGUISHER, 3KG BCF (VZ0268)		3
	17	V80300	. MOUNT, FORWARD (VZ0268)		1
			ATTACHING PARTS		
		NAS1104-2	. BOLT	0150	4
		NAS1104-9	. BOLT	5199	4
		80-007-08-4	. INSERT, (VZ0268)		4
			-----*		
	R	25	V803000	. MOUNT, CENTER (VZ0268)	
		ATTACHING PARTS			
	NAS1104-1	. BOLT	0103	4	
	NAS1104-3	. BOLT, INBOARD	0499	2	
	NAS1104-5	. BOLT, OUTBOARD	0499	2	
	80-007-08-4	. INSERT, (VZ0268)		4	
		-----*			
R	35	V80300	. MOUNT, AFT (VZ0268)		1
		ATTACHING PARTS			
	NAS1104-1	. BOLT	0150	4	
	NAS1104-42	. BOLT	5199	4	
	AN960-616	. WASHER	0150	4	
	AN970-4	. WASHER	5199	4	
	80-007-08-4	. INSERT, (VZ0268)	0150	4	
	22K2-048	. NUT, (V72962)	5199	4	
		-----*			

MISSING ITEM NUMBERS ARE NOT APPLICABLE