



BOEING

707

PARTS CATALOG (MAINTENANCE)

CHAPTER 31

INSTRUMENTS

TABLE OF CONTENTS

SECTION	FIGURE
31-01 PILOTS MAIN INSTRUMENT PANEL	
MODULE INSTL, CAPTAINS AND FIRST OFFICERS	73
PANEL INSTL, P10 COPILOTS MAIN INSTRUMENT	42
PANEL INSTL, P8 PILOTS MAIN INSTRUMENT	32
PANEL INSTL, P9 ENGINE INSTRUMENT	52
SUPPORT INSTL, PILOTS AND COPILOTS INSTRUMENT PANEL	1
SUPPORT INSTL, PILOTS AND COPILOTS MODULE	1A
31-02 FLIGHT ENGINEERS PANEL	
INTERPHONE INSTL, FLIGHT ENGINEER	57
INTERPHONE INSTL, FLIGHT ENGINEERS	54
PANEL INSTL, FLIGHT ENGINEERS AUXILIARY	39A
PANEL INSTL, FLIGHT ENGINEERS AUXILIARY	41
PANEL INSTL, FLIGHT ENGINEERS LOWER	35D
PANEL INSTL, FLIGHT ENGINEERS LOWER	35E
PANEL INSTL, FLIGHT ENGINEERS LOWER	37K
PANEL INSTL, FLIGHT ENGINEERS UPPER	33A
PANEL INSTL, FLIGHT ENGINEERS UPPER	34B
31-03 PILOTS OVERHEAD PANEL	
MODULE INSTL, P10 PILOTS OVERHEAD	31
MODULE INSTL, P13	31
MODULE INSTL, P13 PILOTS OVERHEAD	42
MODULE INSTL, P13 PILOTS OVERHEAD	31
STRUCTURE INSTL, P13 PILOTS OVERHEAD	42
SUPPDRT INSTL, OVERHEAD AND CIRCUIT BREAKER PANEL	1A
31-04 NAVIGATORS PANEL	
EQUIPMENT INSTL, NAVIGATORS PANEL	4A
PANEL INSTL, MISSION CO-ORD. STATION	4C
PANEL INSTL, NAVIGATORS	33
RACK INSTL, NAVIGATORS EQUIPMENT	2
STRUCTURE INSTL, NAVIGATORS PANEL SUPPORT	8
SUPPORT INSTL, NAVIGATORS PANEL	7
31-05 AUXILIARY PANELS	
PANEL INSTL, COPILOTS AUXILIARY EQUIPMENT	9
PANEL INSTL, OBSERVER AUXILIARY EQUIPMENT	2
PANEL INSTL, PILOTS AUXILIARY EQUIPMENT	9
PANEL INSTL, P18 PILOTS AUXILIARY EQUIPMENT	10D
PANEL INSTL, P19 AUXILIARY EQUIPMENT	10E
PANEL INSTL, P19 PILOTS AUXILIARY EQUIPMENT	11D
PANEL INSTL, P19 PILOTS AUXILIARY EQUIPMENT	11D
31-06 RADIO, RADAR AND AUTOPILOT CONTROL PANEL	
PANEL INSTL, RADIO, RADAR AND AUTOPILOT CONTROL	19
PANEL INSTL, RADIO, RADAR AND AUTOPILOT CONTROL	25
SUPPORT INSTL, RADIO AND RADAR CONTROL PANEL	3D
31-20 INDEPENDENT INSTRUMENTS	
INCLINOMETER INSTALLATION	1
PANEL INSTL, FLIGHT ENGINEERS LOWER	2
31-40 WEIGHTS AND BALANCE	
PANEL INSTL, FLIGHT ENGINEERS AUXILIARY	4

BOEING *707* *Intercontinental* 
PARTS CATALOG

SECTION 01
PILOTS MAIN INSTRUMENT PANEL

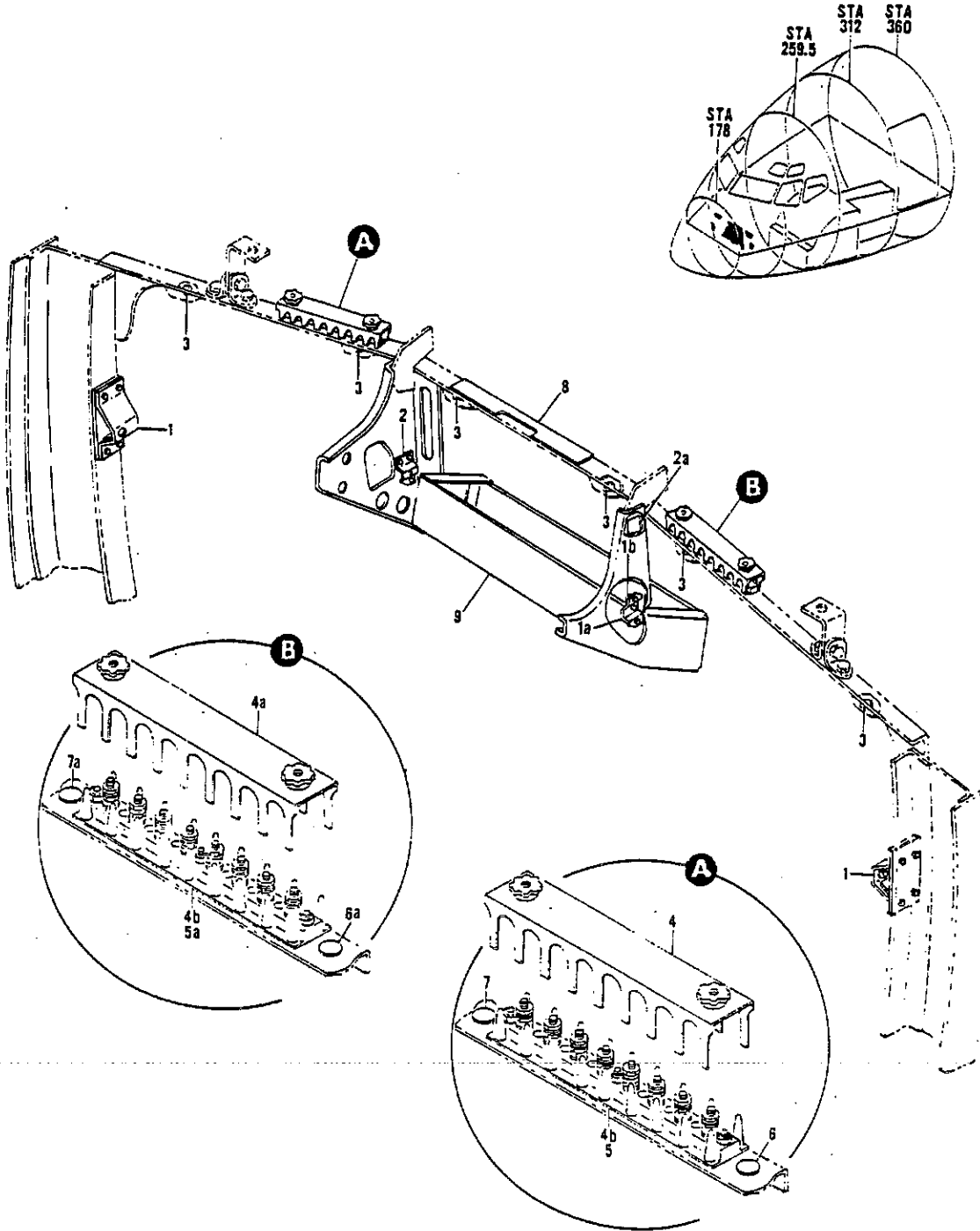


FIGURE 1. SUPPORT INSTL, PILOTS AND COPILOTS INSTRUMENT PANEL

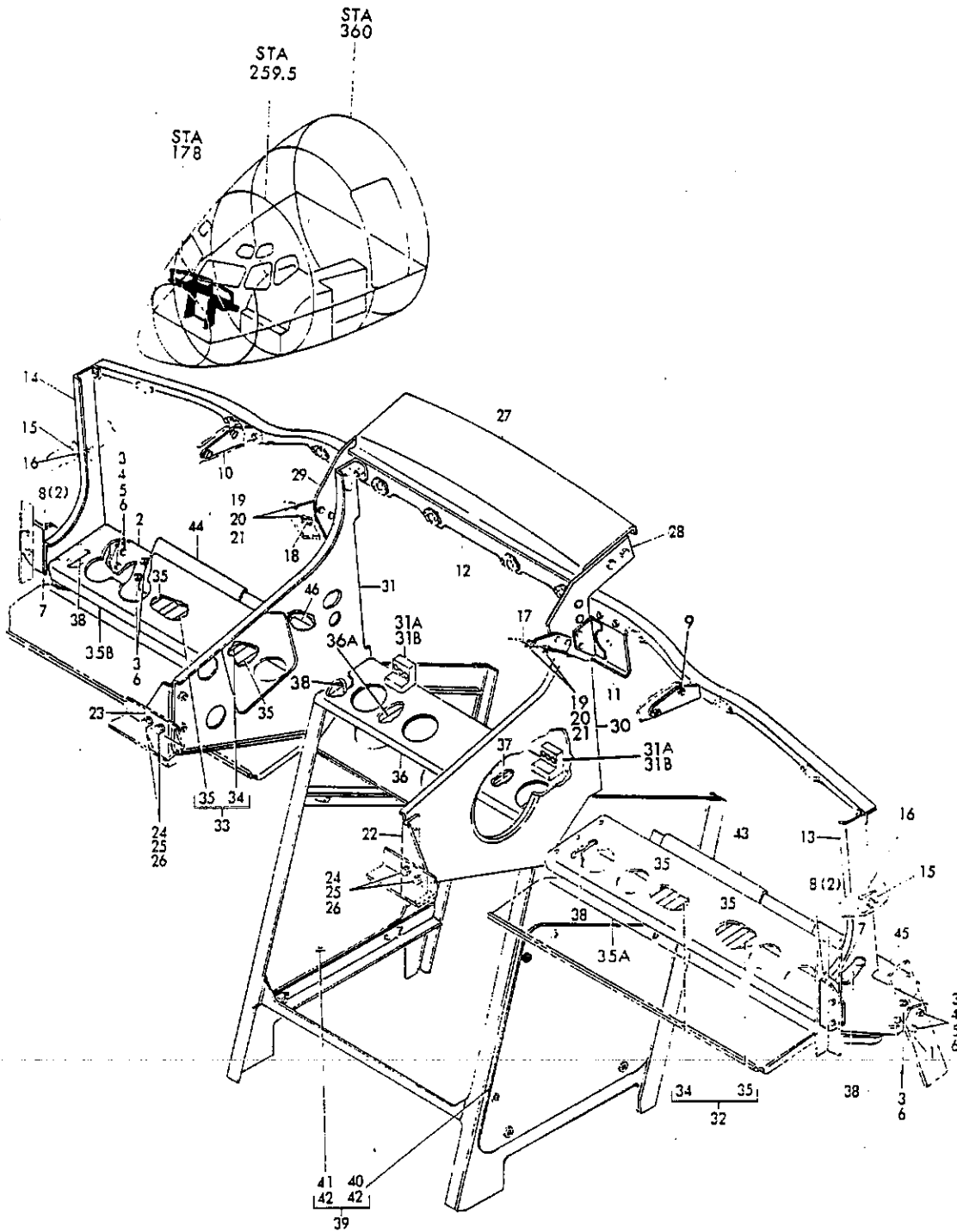


FIGURE 1A. SUPPORT INSTL. PILOTS AND COPILOTS MODULE



PARTS CATALOG

FIGURE & ITEM NO.	MANUFACTURER'S PART NUMBER	NOMENCLATURE	EFF FROM TO	UNITS PER ASSY
		1 2 3 4 5 6 7		
1A	65-59505-1	SUPPORT INSTL, PILOTS AND COPILOTS MODULE (SEE 25-1, FIG. 1B, ITEM 29, 25-1, FIG. 1F, ITEM 23, 25-1, FIG. 2D, ITEM 19, 25-1, FIG. 2E, ITEM 106 AND 25-1, FIG. 2J, ITEM 33)	5199	RF
1	69-37950-19	• ANGLE, (PILOTS)	5199	1
2	69-37950-20	• ANGLE, (COPILOTS)	5199	1
		ATTACHING PARTS		
3	NAS1103-10	• BOLT	5199	8
4	AN960D416L	• WASHER	5199	4
5	BACW10P91L	• WASHER	5199	4
6	NAS679A3W	• NUT	5199	8
		-----*		
7	65-73703-7	• ANGLE, ATTACH	5199	2
		ATTACHING PARTS		
	NAS1103-3	• BOLT	5199	4
	NAS679A3W	• NUT	5199	4
		-----*		
8	65-59505-11	• SHIM	5199	4
9	66-24914-1	• BRACKET, (PILOTS)	5199	1
10	66-24914-2	• BRACKET, (COPILOTS)	5199	1
		ATTACHING PARTS		
	NAS1103-4	• BOLT	5199	4
	BACW10P166L	• WASHER	5199	4
	NAS679A3W	• NUT	5199	4
		-----*		
11	69-46771-4	• BRACKET ASSY, (INSTRUMENTS ONLY)	5199	1
		ATTACHING PARTS		
	NAS603-7	• SCREW	5199	2
	NAS686A3	• NUT	5199	2
		-----*		
12	65-59502-9	• REQUIRED PLACARDS, (SEE 11-2, FIG. 59B)	5199	1
		ANGLE, SUPPORT	5199	
		ATTACHING PARTS		
	NAS514P1032-6	• SCREW	5199	6
	NAS679A3W	• NUT	5199	6
		-----*		
13	69-37951-1	• BRACKET, (PILOTS)	5199	1
14	69-37951-2	• BRACKET, (COPILOTS)	5199	1
		ATTACHING PARTS		
	NAS1103-10	• BOLT	5199	2
	BACW10P91L	• WASHER	5199	2
	NAS679A3W	• NUT	5199	2
		-----*		
15	69-37950-10	• SHIM, TAPERED	5199	2
16	BACS40L14-16	• SHIM, LAMINATED	5199	AR
17	66-1334-1	• TEE, PANEL EXTRUDED ATTACH (PILOTS)	5199	1
18	66-1334-2	• TEE, PANEL EXTRUDED ATTACH (COPILOTS)	5199	1
		ATTACHING PARTS		
	NAS1103-4	• BOLT	5199	4
	BACW10P166L	• WASHER	5199	4
	NAS679A3W	• NUT	5199	4
		-----*		
19	NAS679A3W	• NUT	5199	4
20	AN960D10L	• WASHER	5199	4
21	NAS1103-2	• BOLT	5199	4
22	69-46765-1	• ANGLE, ATTACH (PILOTS)	5199	1
23	69-46765-2	• ANGLE, ATTACH (COPILOTS)	5199	1
		ATTACHING PARTS		
	NAS1103-2	• BOLT	5199	4
	NAS679A3W	• NUT	5199	4
		-----*		
24	NAS679A4W	• NUT	5199	4
25	AN960D416L	• WASHER	5199	4
26	NAS1104-7	• BOLT	5199	4
27	65-59472-1	• BRACKET ASSY, LIGHT SHIELD	5199	1
		ATTACHING PARTS		
	NAS679A3W	• NUT	5199	4
		-----*		
28	65-59502-2	• GUSSET	5199	1
29	65-59502-4	• GUSSET	5199	1
30	65-59502-7	• BRACKET	5199	1
31	65-59502-12	• BRACKET	5199	1
31A	69-47151-1	• STRIP, FASTENING	5199	2
31B	BACS40A14-17	• SHIM, LAMINATED	5199	2

MISSING ITEM NUMBERS ARE NOT APPLICABLE



BOEING 707 Intercontinental

PARTS CATALOG

FIGURE & ITEM NO.	MANUFACTURER'S PART NUMBER	1 2 3 4 5 6 7	NOMENCLATURE	EFF	
				FROM TO	UNITS PER ASSY
1A 35A 35B 37A 38 39 40 41 42 43 44 45 46	65-59503-19		. DECK ASSY, MAIN INSTRUMENT PANEL (PILOTS)	5199	1
	65-59503-20		. DECK ASSY, MAIN INSTRUMENT PANEL (COPILOTS)	5199	1
	65-59503-21		. DECK ASSY, MAIN INSTRUMENT PANEL.	5199	1
	69-46770-2		. . . RAIL.	5199	4
			ATTACHING PARTS		
	NAS514P832-8		. . . SCREW	5199	12
			-----*		
	65-59505-2		. SUPPORT ASSY.	5199	1
	65-59505-35		. . . PANEL ASSY, ACCESS (PILOTS)	5199	1
	65-59505-36		. . . PANEL ASSY, ACCESS (COPILOTS)	5199	1
	65-59505-13	 PANEL	5199	1
	65-59505-19		. COVER, FOOT REST (PILOT).	5199	1
	65-59505-20		. COVER, FOOT REST (COPILOT).	5199	1
	65-59505-21		. COVER, FOOT REST (PILOT).	5199	1
	65-59505-22		. COVER, FOOT REST (COPILOT).	5199	1
			ATTACHING PARTS		
	MS20470D5N		. RIVET	5199	12
	AN960DB		. WASHER.	5199	24
			-----*		

MISSING ITEM NUMBERS ARE NOT APPLICABLE

BOEING
707
PARTS CATALOG (MAINTENANCE)

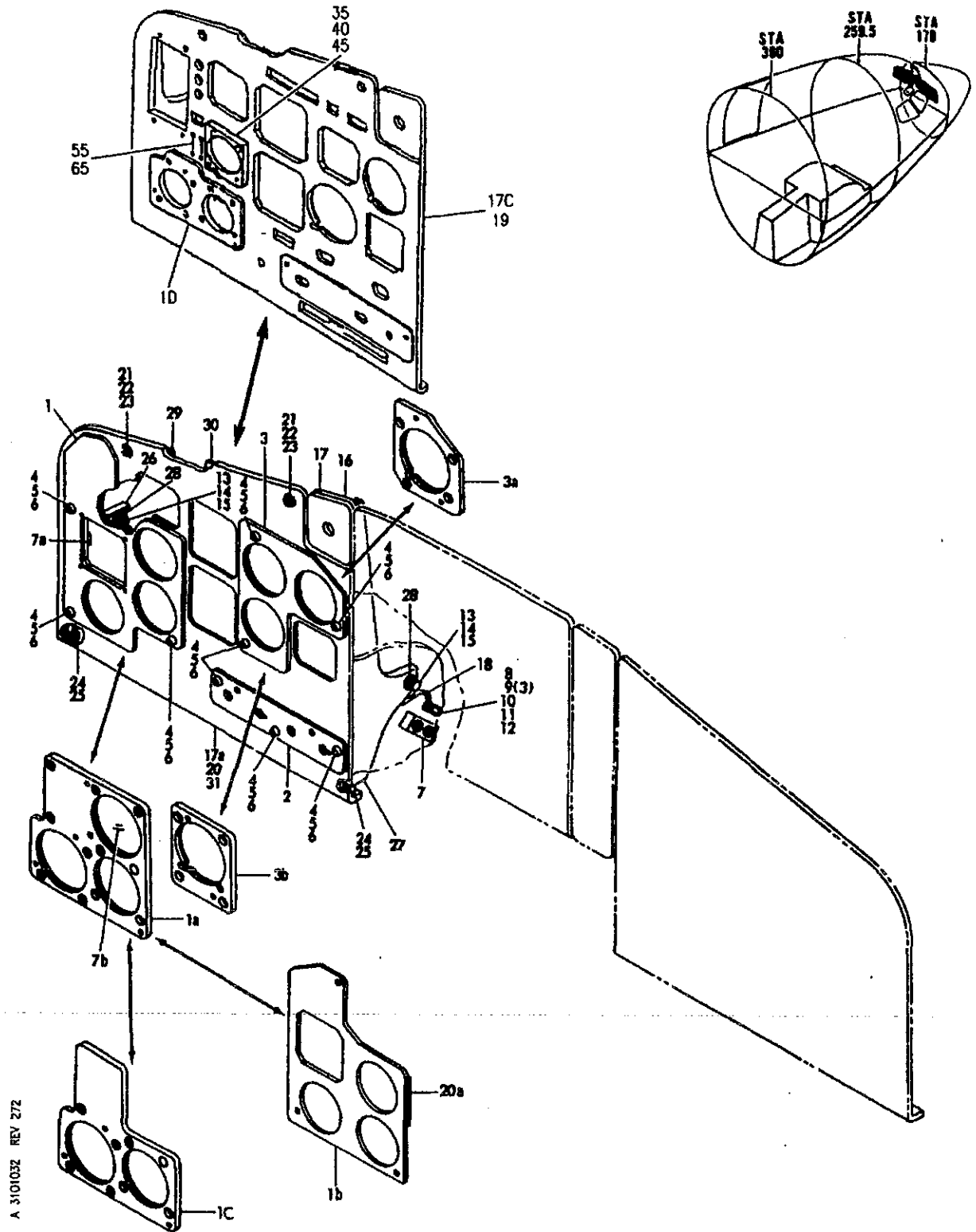


FIGURE 32. PANEL INSTL. P8 PILOTS MAIN INSTRUMENT (INSTRUMENTS ONLY)

DETAILED PARTS LIST
31-01-32
PAGE 0

31-01-32

NOV 21/01

BOEING

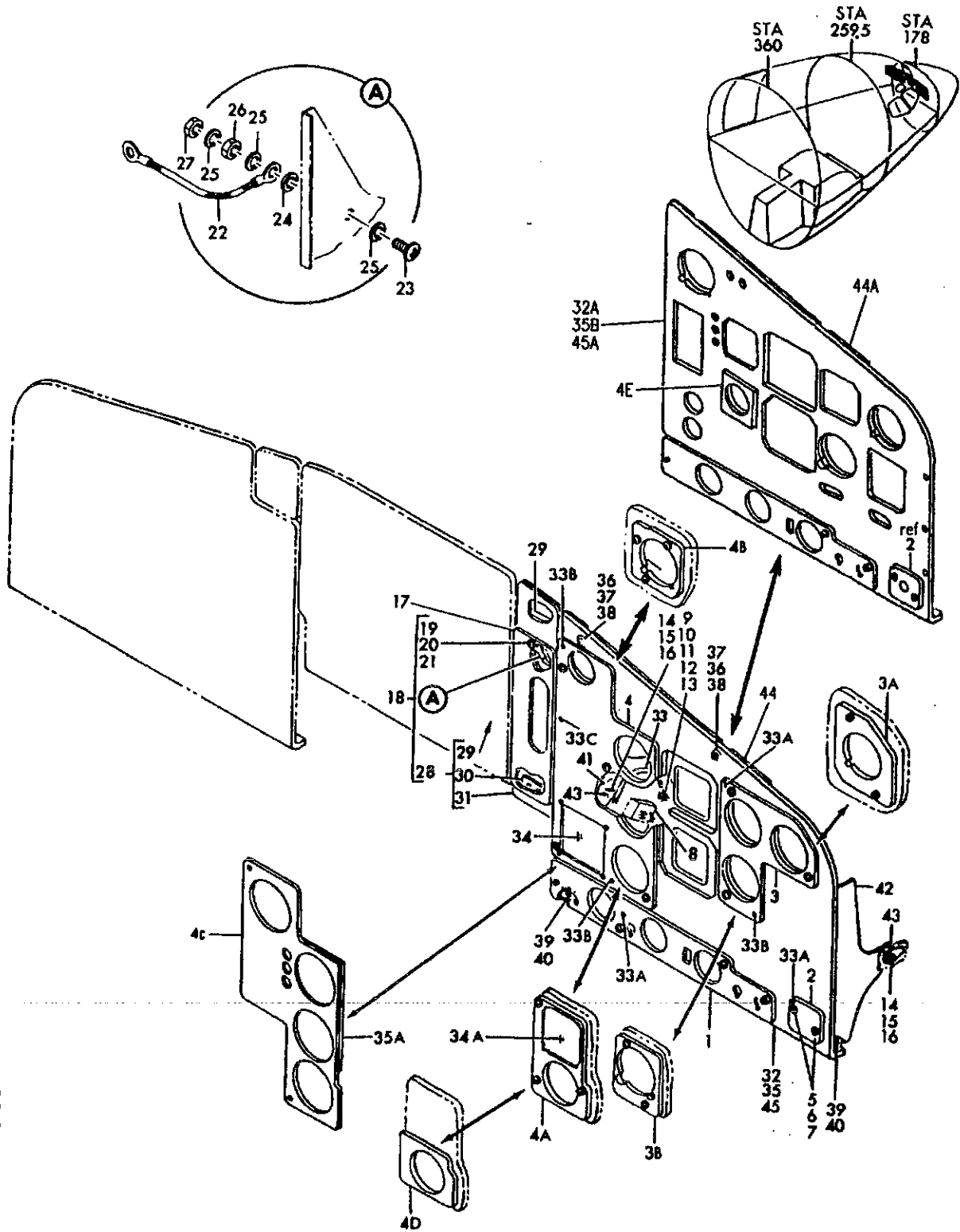
707

PARTS CATALOG (MAINTENANCE)

FIGURE & ITEM NO.	MANUFACTURER'S PART NUMBER	NOMENCLATURE	EFF	UNITS
			FROM TO	PER ASSY
R R R R R R R R R R R R R R R R R R	32	65-51822-1	0150	RF
		391-31-10-74164-001	0101	RF
		391-31-10-74164-003	0203	RF
		391-31-10-74164-005	0450	RF
	1A	10-60424-3507	0450	1
	1A	10-60424-3507	0103	1
	1B	10-60424-3520	0103	1
	1C	QB33773-1	0150	1
	1D	391-33-10-73980-001	0150	1
	2	391-33-10-73981-001	0150	1
	3A	10-60424-3504	0150	1
	3B	10-60424-3505	0150	1
	4	AN515B6R5	0150	AR
	5	AN960D6	0150	AR
	6	BACW10AJ1	0150	AR
	7	65-51822-16	0150	1
		NAS603-16P	0150	2
		NAS679A3W	0150	2
7A	66-26051	0450	1	
7B	66-26051	0103	1	
	AN515B6R5	0150	4	
	NAS679A06W	0150	4	
8	BACS12C83-10	0150	1	
9	AN960D10L	0150	3	
10	MS35338-43	0150	1	
11	MS20341-10	0150	1	
12	NAS679A3W	0150	1	
13	NAS1304-5	0150	2	
14	AN960D416L	0150	2	
15	NAS43DD4-19	0150	2	
	65-51822-3	0150	1	
	NAS514P1032-10	0150	3	
16	65-51822-9	0150	1	
17	65-51822-4	0150	1	
17A	65-51822-71	0150	1	
17C	391-31-10-74164-007	0101	1	
17C	391-31-10-74164-009	0203	1	
17C	391-31-10-74164-011	0450	1	
18	MS25083-28B9	0150	1	
	NAS514P1032-10	0150	1	
	AN960D10L	0150	2	
	NAS679A3W	0150	1	

MISSING ITEM NUMBERS ARE NOT APPLICABLE

BOEING
707
PARTS CATALOG (MAINTENANCE)



A 3101042 REV 272

FIGURE 42. PANEL INSTL; P10COPILOTSMAIN INSTRUMENT (INSTRUMENTS ONLY)

DETAILED PARTS LIST
31-01-42
PAGE 0

31-01-42

NOV 21/01

BOEING

707

PARTS CATALOG (MAINTENANCE)

FIGURE & ITEM NO.	MANUFACTURER'S PART NUMBER	NOMENCLATURE	EFF	UNITS
			FROM TO	PER ASSY
R R R R R	42 65-51822-2	PANEL INSTL, P10 COPILOTS MAIN INSTRUMENT (INSTRUMENTS ONLY) (DELETED BY MOD 7211.019-225) (SEE 25-1, FIG. 1K, ITEM 4)	0150	RF
	391-10-74166-001	PANEL INSTL, P10 COPILOTS MAIN INSTRUMENT (INSTRUMENTS ONLY) (VS2500) (65-51822-2 MODIFIED BY MOD 7211.019-225) (SEE 25-01 FIG. 1K, ITEM 4)	0103	RF
	391-10-74166-003	PANEL INSTL, P10 COPILOTS MAIN INSTRUMENT (INSTRUMENTS ONLY) (VS2500) (65-51822-2 MODIFIED BY MOD 7211.019-225) (SEE 25-1, FIG. 1K, ITEM 4)	0450	RF
R R R R R	1 10-60424-3155	. LIGHTPLATE ASSY, HYDRAULIC PRESSURE DETACHABLE. CIRCUIT (SEE CHAPTER 33 FOR BREAKDOWN)	0150	1
	2 10-60424-2715	. LIGHTPLATE ASSY, COMPASS VOR/GS AND HYDRAULIC SYSTEM DETACHABLE CIRCUIT (DELETED BY RAF MOD 7211.019-4) (SEE CHAPTER 33 FOR BREAKDOWN)	0150	1
	2 391-33-10-73981-003	. LIGHTPLATE ASSY, (VZ0031) (ADDED BY RAF MOD 7211.019-4)	0150	1
	3A 10-60424-3504	. LIGHTPLATE ASSY, RATE OF CLIMB INDICATOR (SEE CHAPTER 33 FOR BREAKDOWN)	0150	1
	3B 10-60424-3536	. LIGHTPLATE ASSY, RADIO MAGNETIC INDICATOR (SEE CHAPTER 33 FOR BREAKDOWN)	0150	1
	4A 10-60424-3508	. LIGHTPLATE ASSY, TURN AND SLIP INDICATOR (DELETED BY RAF MOD 7211.019-188 AND RAF MOD 7211.019-159) (SEE CHAPTER 33 FOR BREAKDOWN)	0450	1
	4A 10-60424-3508	. LIGHTPLATE ASSY, TURN AND SLIP INDICATOR (ADDED BY . . . SB 2663 AND DELETED BY RAF MOD 7211.019-188) (DELETED BY RAF MOD 7211.019-159) (SEE CHAPTER 33 FOR BREAKDOWN)	0103	1
	4B 10-60424-3506	. LIGHTPLATE ASSY, CLOCK (SEE CHAPTER 33 FOR BREAKDOWN)	0450	1
	4B 10-60424-3506	. LIGHTPLATE ASSY, CLOCK (ADDED BY SB 2663) (SEE CHAPTER 33 FOR BREAKDOWN)	0103	1
	4C 10-60424-3525	. LIGHTPLATE ASSY, DETACHABLE CIRCUIT (DELETED BY SB 2663) (SEE CHAPTER 33 FOR BREAKDOWN)	0103	1
R R R R R	4D Q833773-2	. LIGHTPLATE ASSY, (VZ0268) (ALTERED FROM 10-60424-3508) (ADDED BY RAF MOD 7211.019-188 AND RAD MOD 7211.019-159 AND DELETED BY RAF MOD 7211.019-4)	0150	1
	4E 391-33-10-73982-001	. LIGHTING SHROUD (ADDED BY RAF MOD 7211.019-4) ATTACHING PARTS	0150	1
	5 AN515B6R5	. SCREW	0150	AR
	6 AN960D6	. WASHER	0150	AR
	7 BACW10AJ1	. WASHER	0150	AR
	8 65-51822-16	. STOP ATTACHING PARTS	0150	1
	NAS603-16P	. SCREW	0150	2
	NAS679A3W	. NUT	0150	2
	9 BACS12CB3-10	. SCREW	0150	1
	10 AN960D10L	. WASHER	0150	3
11 MS35338-43	. WASHER	0150	1	
12 MS20341-10	. NUT	0150	1	
13 NAS679A3W	. NUT	0150	1	
14 NAS1304-5	. BOLT	0150	2	
15 AN960D416L	. WASHER	0150	2	
16 NAS43DD4-19	. SPACER	0150	2	
69-34773-18	. PANEL INSTL, LANDING GEAR (INSTRUMENTS ONLY)	0150	1	
17 10-60424-2002	. LIGHTPLATE ASSY, LANDING GEAR DETACHABLE CIRCUIT . . . (SEE CHAPTER 33 FOR BREAKDOWN)	0150	1	
AN515B6R5	. ATTACHING PARTS . SCREW	0150	4	
AN960D6	. WASHER	0150	4	
BACW10AJ1	. WASHER	0150	4	
18 69-34773-2	. UNIT ASSY, (INSTRUMENTS ONLY)	0150	1	
19 NAS514P1032-10	. SCREW	0150	1	
20 AN960D10-L	. WASHER	0150	2	
21 NAS679A3W	. NUT	0150	1	
22 MS25083-2BB4	. JUMPER ASSY	0150	1	
23 BACS12CB3-12	. ATTACHING PARTS . SCREW	0150	1	
24 MS35338-43	. WASHER	0150	1	
25 AN960D10L	. WASHER	0150	3	
26 MS20341-10	. NUT	0150	1	
27 NAS679A3W	. NUT	0150	1	

MISSING ITEM NUMBERS ARE NOT APPLICABLE

RAF
NOV 21/01

31-01-42

DETAILED PARTS LIST
31-01-42
PAGE 1

BOEING

707

PARTS CATALOG (MAINTENANCE)

FIGURE & ITEM NO.	MANUFACTURER'S PART NUMBER	1 2 3 4 5 6 7	NOMENCLATURE	EFF	UNITS	
				FROM TO	PER ASSY	
R R R R R	42 28	69-34773-3 PANEL ASSY, (INSTRUMENTS ONLY)	0150	1	
	29	69-34773-7 PAD	0150	1	
	30	69-34773-6 PAD	0150	1	
	31	69-34773-4 PANEL	0150	1	
	32	65-51822-74	. UNIT ASSY, (INSTRUMENTS ONLY) (DELETED BY RAF MOD 7211.019-4)	0150	1	
	32A	391-31-10-74166-005	. UNIT ASSY, (INSTRUMENTS ONLY) (VZ0031) (ADDED BY RAF MOD 7211.019-4)	0103	1	
	32A	391-31-10-74166-007	. UNIT ASSY, (INSTRUMENTS ONLY) (VZ0031) (ADDED BY RAF MOD 7211.019-4)	0450	1	
	33	MS25083-2889 JUMPER ASSY	0150	1	
		NAS514P1032-10 ATTACHING PARTS			
		AN960D10L SCREW	0150	1	
	NAS679A3W WASHER	0150	2		
	 NUT	0150	1		
R R R	33A	SCN001 CONNECTOR, POWER (26742) (DELETED BY RAF MOD 7211.019-4)	0150	3	
	33B	SCN001 CONNECTOR, POWER (V26742) (DELETED BY RAF MOD 7211.019-4)	0150	3	
	34A	66-26051 COVER, (ADDED BY SB 2663 AND DELETED BY RAF MOD 7211.019-188)	0103	1	
	34A	66-26051 COVER, (DELETED BY RAF MOD 7211.019-188).	0450	1	
		AN507PB632R14 ATTACHING PARTS			
		NAS679AD6W SCREW	0150	4	
		 NUT	0150	4	
	R R	35	65-51822-75 PANEL ASSY, (DELETED BY RAF MOD 7211.019-4)	0450	1
		35	65-51822-101 PANEL ASSY, (DELETED BY RAF MOD 7211.019-4)	0103	1
		35A	65-51822-102 PLATE, (DELETED BY SB 2663)	0103	1
36		BACS21X9R STUD ASSY	0150	2	
37		BACR12X1 RING	0150	2	
38		BACG20X2 GROMMET	0150	2	
39		NAS603-10P SCREW	0150	2	
40		AN256-10 NUT	0150	2	
41		66-11568 BRACKET ASSY, PANEL SUPPORT	0150	1	
42		90-9447-2 BRACKET ASSY, PANEL SUPPORT	0150	1	
	NAS514P1032-7 ATTACHING PARTS				
	NAS679A3W SCREW	0150	4		
	 NUT	0150	4		
R R R R	43	BACB2886-185 BUSHING	0150	1	
	44	65-51822-8 PAD, (DELETED BY RAF MOD 7211.019-4).	0150	1	
	44A	391-31-10-74157-103 PAD, (VZ0031) (ADDED BY RAF MOD 7211.019-4)	0150	1	
	45	65-51822-76 PANEL, (DELETED BY RAF MOD 7211.019-4).	0150	1	
	45A	391-31-10-74167-101 PANEL, (VZ0031) (ADDED BY RAF MOD 7211.019-4)	0150	1	
			. FOR REFERENCE TO OTHER PANEL DETAILS, SEE NHA	0150		

MISSING ITEM NUMBERS ARE NOT APPLICABLE

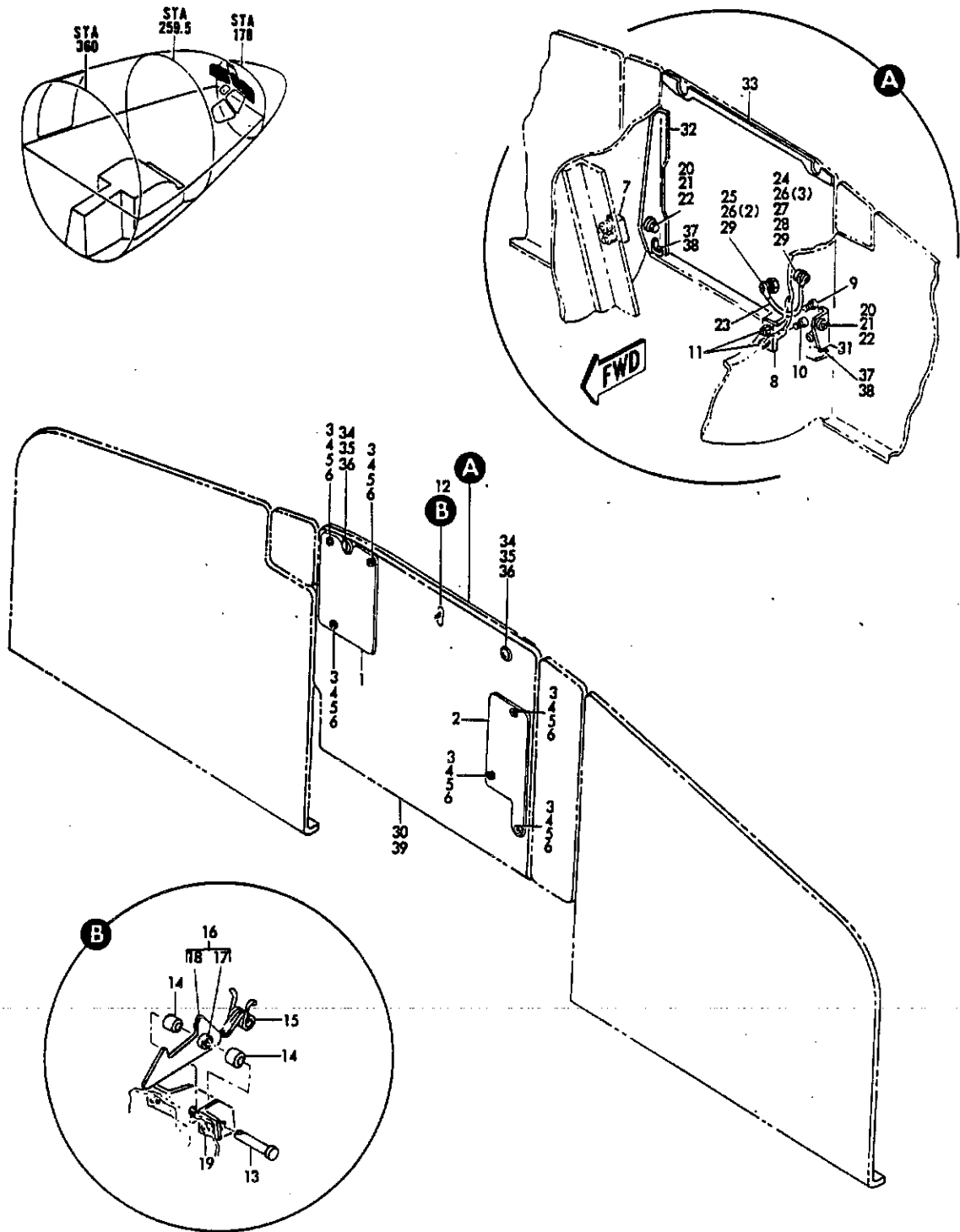


FIGURE 52. PANEL INSTL. P9 ENGINE INSTRUMENT (INSTRUMENTS ONLY)



PARTS CATALOG

FIGURE & ITEM NO.	MANUFACTURER'S PART NUMBER	NOMENCLATURE	EFF FROM TO	UNITS PER ASSY
R	52	PANEL INSTL, P9 ENGINE INSTRUMENT (INSTRUMENTS ONLY).	0150	RF
R		(SEE 25-1, FIG. 1K, ITEM 4)		
R	1	. LIGHTPLATE ASSY, MACH TRIM DETACHABLE CIRCUIT (SEE .	0150	1
R		CHAPTER 33 FOR BREAKDOWN)		
R	2	. LIGHTPLATE ASSY, FLAP INDICATOR DETACHABLE CIRCUIT. .	0150	1
R		(SEE CHAPTER 33 FOR BREAKDOWN)		
R		ATTACHING PARTS		
R	3	. SCREW	0150	6
R	4	. WASHER.	0150	6
R	5	. WASHER.	0150	6
R	6	. NUT	0150	6
R		-----*		
R	7	. STOP.	0150	1
R		ATTACHING PARTS		
R		. SCREW	0150	2
R		. NUT	0150	2
R		-----*		
R	8	. STOP.	0150	1
R		ATTACHING PARTS		
R	9	. SCREW	0150	1
R	10	. SCREW	0150	1
R	11	. NUT	0150	2
R		-----*		
R	12	. LATCH ASSY, SAFETY.	0150	1
R		ATTACHING PARTS		
R		. SCREW	0150	2
R		. NUT	0150	2
R		-----*		
R	13	. PIN	0150	1
R	14	. SPACER.	0150	2
R	15	. SPRING.	0150	1
R	16	. LATCH ASSY.	0150	1
R	17	. BUSHING	0150	1
R	18	. LATCH	0150	1
R	19	. BRACKET	0150	1
R	20	. BOLT.	0150	2
R	21	. WASHER.	0150	2
R	22	. SPACER.	0150	2
R	23	. UNIT ASSY, (INSTRUMENTS ONLY)	0150	1
R		. JUMPER ASSY	0150	1
R		ATTACHING PARTS		
R	24	. SCREW	0150	1
R	25	. SCREW	0150	1
R	26	. WASHER.	0150	5
R	27	. WASHER.	0150	1
R	28	. NUT	0150	1
R	29	. NUT	0150	2
R		-----*		
R	30	. PANEL ASSY, (INSTRUMENTS ONLY).	0150	1
R	31	. ANGLE ASSY, SUPPORT	0150	1
R	32	. ANGLE ASSY, SUPPORT	0150	1
R		ATTACHING PARTS		
R		. SCREW	0150	6
R		. NUT	0150	6
R		-----*		
R	33	. PAD	0150	1
R	34	. STUD ASSY	0150	2
R	35	. RING.	0150	2
R	36	. GROMMET	0150	2
R	37	. SCREW	0150	2
R	38	. NUT	0150	2
R	39	. PANEL	0150	1
R		. FOR REFERENCE TO OTHER PANEL DETAILS, SEE NHA	0150	

MISSING ITEM NUMBERS ARE NOT APPLICABLE

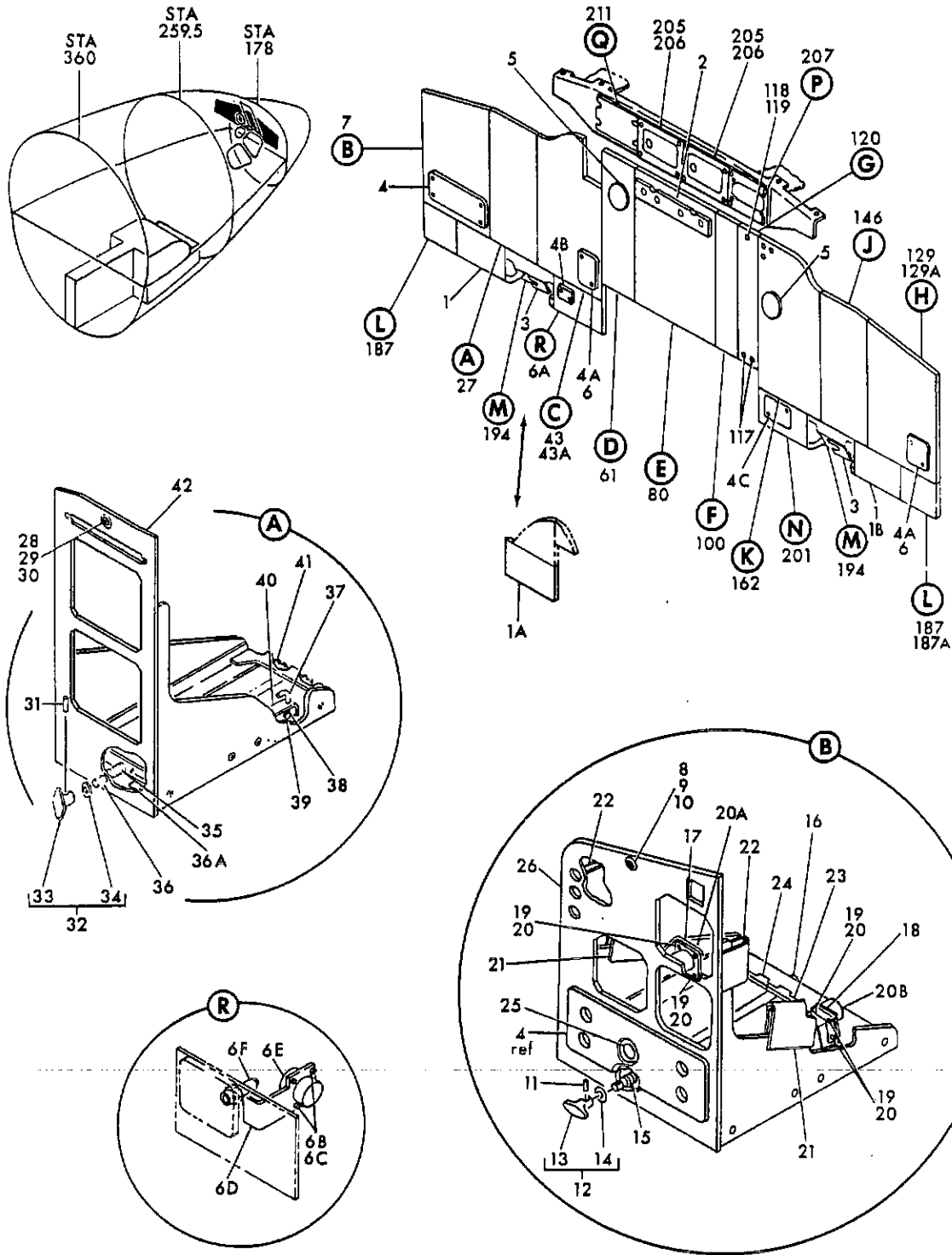


FIGURE 73, MODULE INSTL, CAPTAINS AND FIRST OFFICERS INSTRUMENT PANEL (INSTRUMENTS ONLY) (SHEET 1)

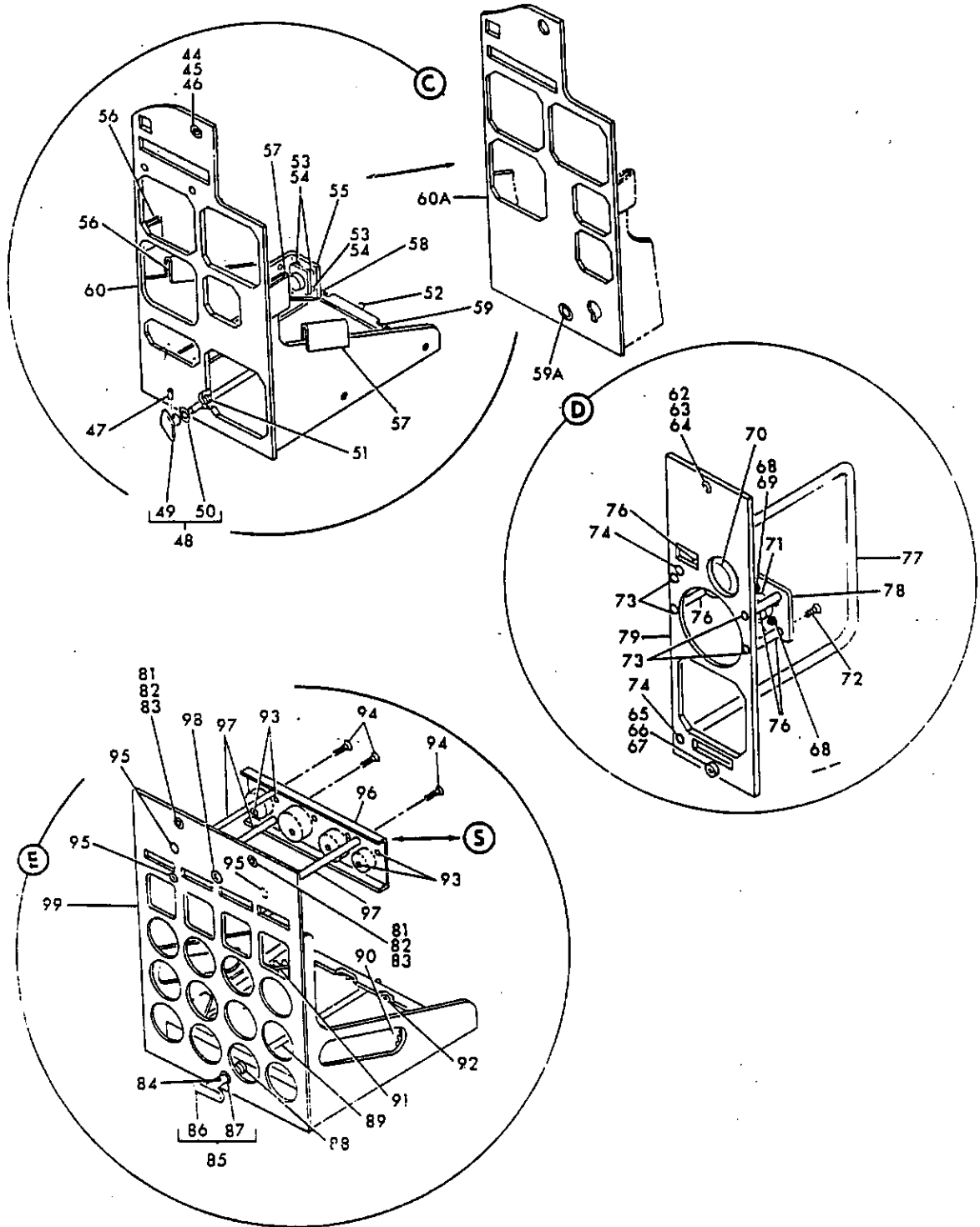


FIGURE 73. MODULE INSTL, CAPTAINS AND FIRST OFFICERS INSTRUMENT PANEL (INSTRUMENTS ONLY) (SHEET 2)

NOV 21/90

31-01-73

DETAILED PARTS LIST
31-01-73
PAGE 1

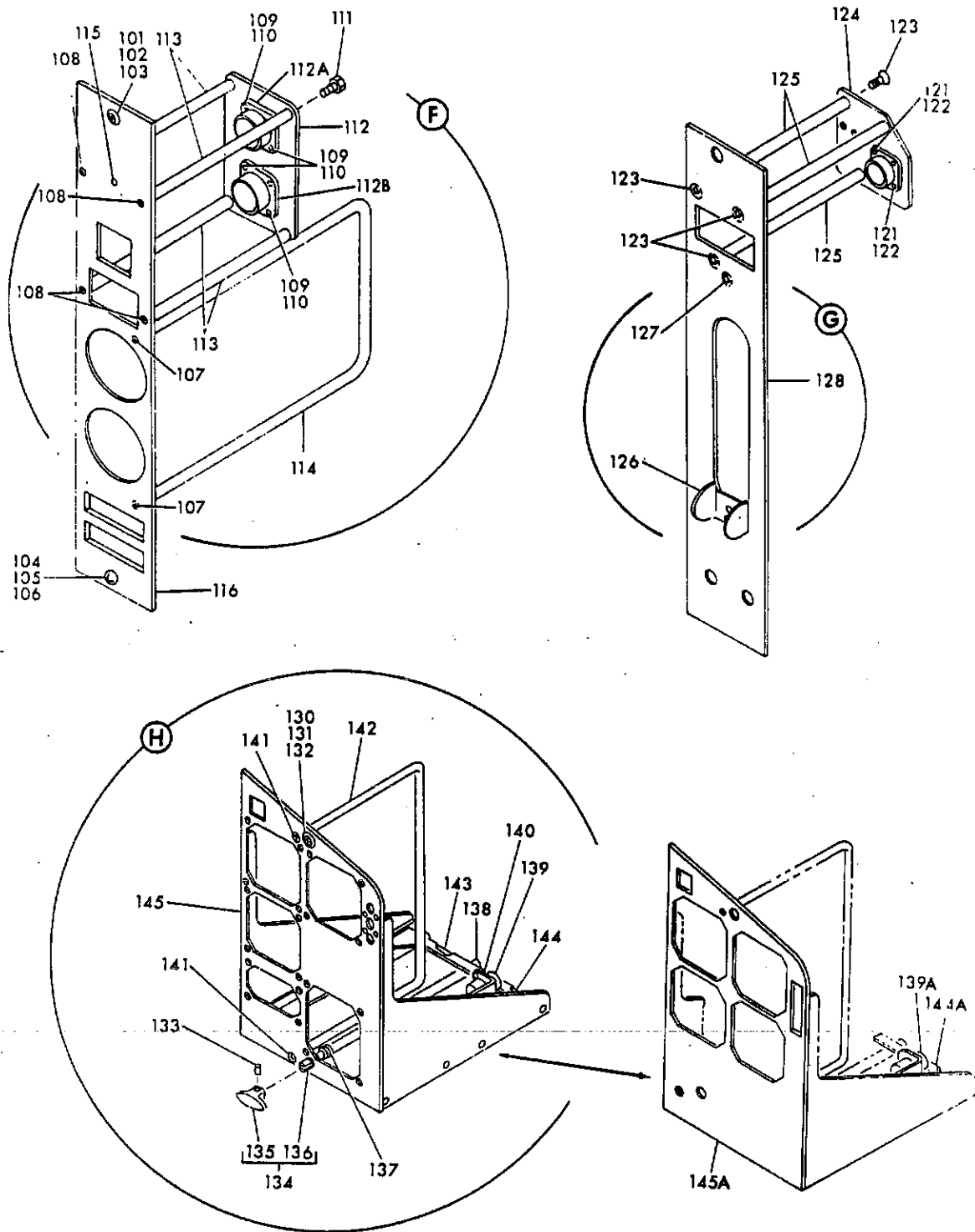


FIGURE 73. MODULE INSTL, CAPTAINS AND FIRST OFFICERS INSTRUMENT PANEL (INSTRUMENTS ONLY) (SHEET 3)

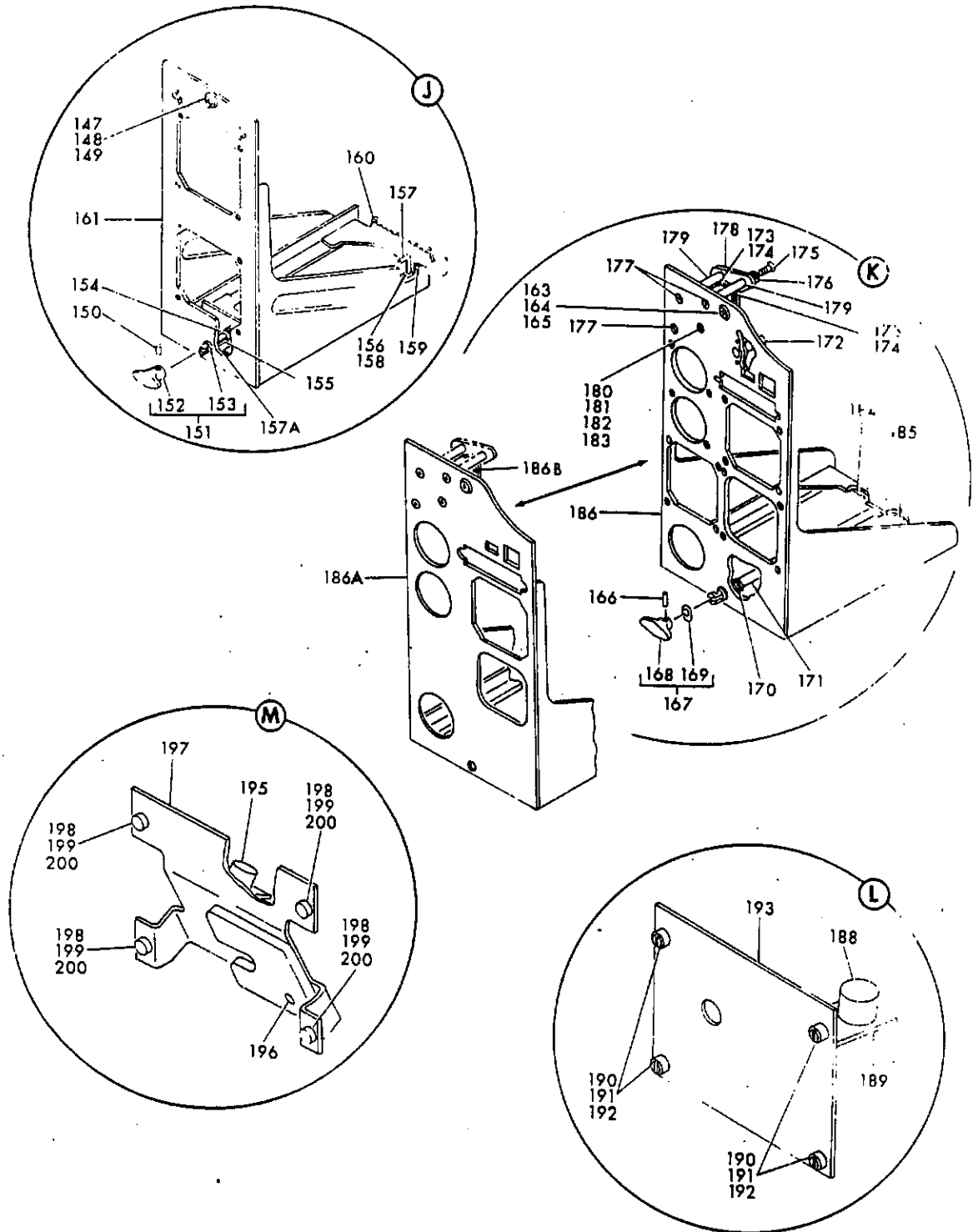


FIGURE 73. MODULE INSTL, CAPTAINS AND FIRST OFFICERS INSTRUMENT PANEL (INSTRUMENTS ONLY) (SHEET 4)

NOV 21/90

31-01-73

DETAILED PARTS LIST
31-01-73
PAGE 3

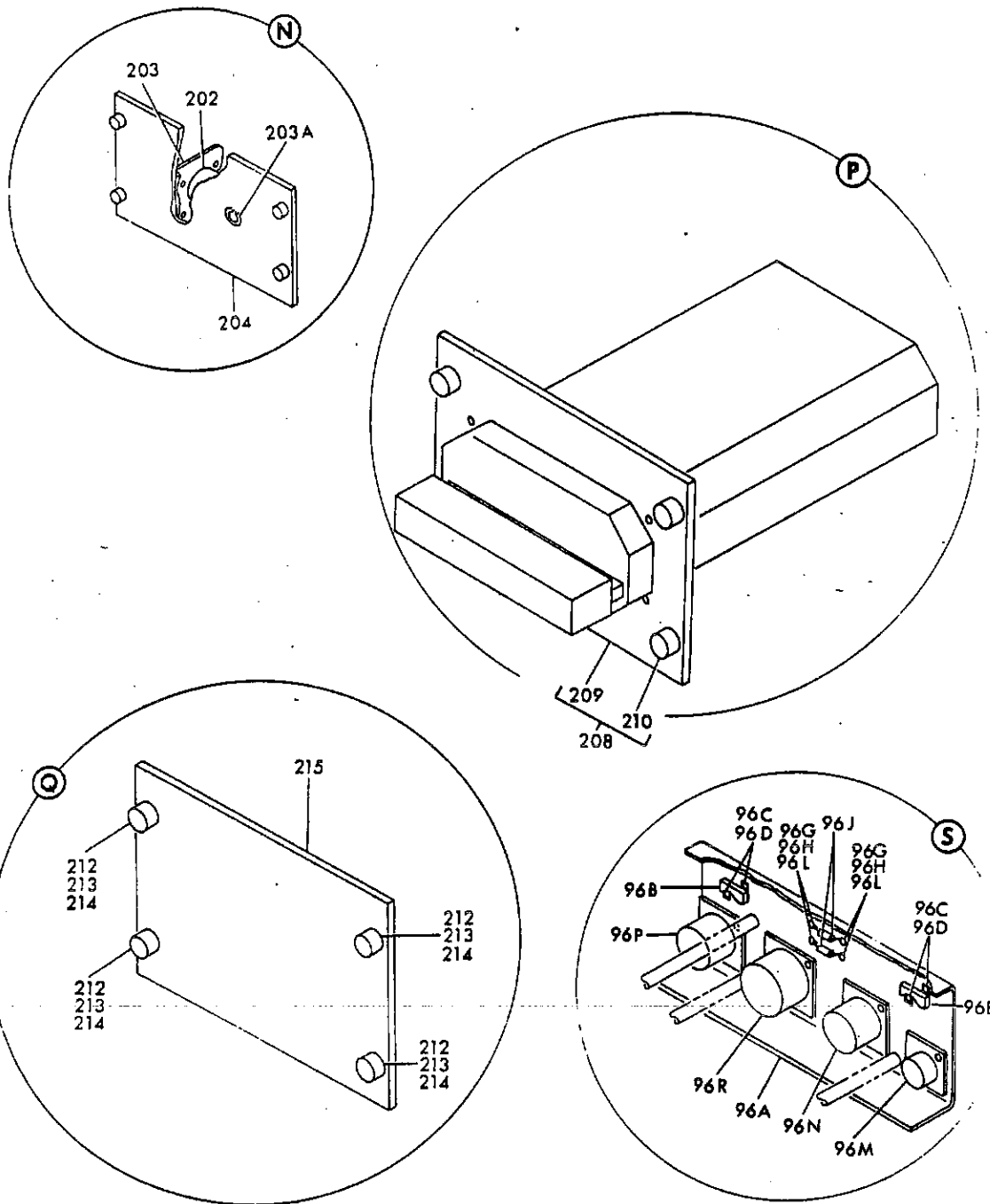


FIGURE 73. MODULE INSTL, CAPTAINS AND FIRST OFFICERS INSTRUMENT PANEL (INSTRUMENTS ONLY) (SHEET 5)



PARTS CATALOG

FIGURE & ITEM NO.	MANUFACTURER'S PART NUMBER	1 2 3 4 5 6 7	NOMENCLATURE	EFF	UNITS
				FROM TO	PER ASSY
73	65C10900-1		MODULE INSTL, CAPTAINS AND FIRST OFFICERS (INSTRUMENT PANELS) (VARIABLE DWG;65C10900-5003) (INSTRUMENTS ONLY) (SEE 25-1, FIG. 2E, ITEM 107A)	5199	RF
1	BACP10U0337G		. PANEL ASSY, P8-5 AND P10-5	5199	2
2	10-61437-31G		. LIGHTPLATE, PANEL DIMMING (SEE CHAPTER 33 FOR BREAKDOWN)	5199	1
3	10-61437-33G		. LIGHTPLATE, STATIC SOURCE (SEE CHAPTER 33 FOR BREAKDOWN)	5199	2
4	10-61437-122G		. LIGHTPLATE, INSTRUMENT SWITCHING (SEE CHAPTER 33 FOR BREAKDOWN)	5199	1
	SFSW6C5DL10GY		ATTACHING PARTS . SCREW, (V12324)	5199	12
4A	10-61437-123G		. LIGHTPLATE, NAV SWITCHING (SEE CHAPTER 33 FOR BREAKDOWN)	5199	2
4B	10-61437-104G		. LIGHTPLATE, AUTOPILOT SWITCHING (SEE CHAPTER 33 FOR BREAKDOWN)	5199	1
4C	10-61437-124G		. LIGHTPLATE, GROUND PROXIMITY (SEE CHAPTER 33 FOR BREAKDOWN)	5199	1
	SFSW6C5DL10GY		ATTACHING PARTS . SCREW, (V12324)	5199	6
	SFSW6C5DL10GY		. SCREW, (V12324)	5199	2
6A	69-53107-9		. PANEL ASSY, P8-7	5199	1
6B	BACS12CB04-5		. SCREW	5199	4
6C	BACN10NW1		. NUT	5199	4
6D	69-47150-16		. BRACKET, SUPPORT	5199	1
6E	BACC45FN14-15P6		. CONNECTOR	5199	1
6F	SCN001		. CONNECTOR, POWER (V26742)	5199	1
7	65C10901-9		. MODULE ASSY, P8-1 (INSTRUMENTS ONLY)	5199	1
8	BACS21X9R		. STUD ASSY	5199	1
9	BACG20X2		. GROMMET	5199	1
10	BACR12X1		. RING	5199	1
11	MS16562-8		. PIN, SPRING	5199	1
12	69-45241-1		. KNOB ASSY	5199	1
13	69-45241-3		. KNOB, LOCKING ROD	5199	1
14	69-45241-4		. WASHER, TEFLON (ALTERED FROM;NAS1515M4L)	5199	1
15	69-45240-1		. SPRING, TORSION	5199	1
16	69-45241-8		. ROD, LOCKING	5199	1
17	69-43873-17		. PLATE, ELECTRICAL RECEPTACLE SUPPORT	5199	1
18	69-43873-2		. PLATE, ELECTRICAL RECEPTACLE SUPPORT	5199	1
	BACR15BA4D		ATTACHING PARTS . RIVET	5199	4
19	BACS12CB04-6		. SCREW	5199	6
20	BACN10NW1		. NUT	5199	6
20A	BACC45FN14-15P		. CONNECTOR	5199	1
20B	BACC45FN22-55P		. CONNECTOR	5199	1
21	69-58286-3		. SUPPORT, CONNECTOR	5199	2
22	69-58286-4		. SUPPORT, CONNECTOR	5199	2
	BACR15BA4A		ATTACHING PARTS . RIVET	5199	12
23	BACG20ZA2B7		. GROMMET	5199	1
24	BACG20ZA307		. GROMMET	5199	1
25	SCN001		. CONNECTOR, POWER (V26742)	5199	1
26	65C10901-10		. BASEPLATE ASSY	5199	1
27	65C10902-4		. MODULE ASSY, P8-2 (INSTRUMENTS ONLY)	5199	1
28	BACS21X9R		. STUD ASSY	5199	1
29	BACG20X2		. GROMMET	5199	1
30	BACR12X1		. RING	5199	1
31	MS16562-8		. PIN, SPRING	5199	1
32	69-45241-1		. KNOB ASSY	5199	1
33	69-45241-3		. KNOB, LOCKING ROD	5199	1
34	69-45241-4		. WASHER, TEFLON (ALTERED FROM;NAS1515M4L)	5199	1
35	69-45240-1		. SPRING, TORSION	5199	1
36	69-45243-1		. ROD, LOCKING	5199	1
36A	69-45262-19		. STOP	5199	1
37	MS16562-10		. PIN, SPRING	5199	1
38	MS24585-80		. SPRING	5199	1
39	69-45243-2		. PIN, LOCKING	5199	1
40	69-45239-7		. BLOCK, GUIDE	5199	1
41	BACG20ZA368		. GROMMET	5199	1
42	65C10902-5		. BASEPLATE ASSY	5199	1

MISSING ITEM NUMBERS ARE NOT APPLICABLE

BOEING **707**
Intercontinental 
PARTS CATALOG

FIGURE & ITEM NO.	MANUFACTURER'S PART NUMBER	NOMENCLATURE	EFF FROM TO	UNITS PER ASSY
73 43A	65C10903-9	. MODULE ASSY, P8-3 (INSTRUMENTS ONLY).	5199	1
44	BACS21X9R STUD ASSY	5199	1
45	BACG20X2 GROMMET	5199	1
46	BACR12X1 RING	5199	1
47	MS16562-8 PIN, SPRING	5199	1
48	69-45241-1 KNOB ASSY	5199	1
49	69-45241-3 KNOB, LOCKING ROD	5199	1
50	69-45241-4 WASHER, TEFLON (ALTERED FROM;NAS1515M4L).	5199	1
51	69-45240-1 SPRING, TORSION	5199	1
52	69-45241-8 ROD, LOCKING.	5199	1
53	BACS12CB04-6 SCREW	5199	3
54	BACN10NW1 NUT	5199	3
55	69-43873-27 PLATE, ELECTRICAL RECEPTACLE SUPPORT.	5199	1
	BACR15BA4D ATTACHING PARTS RIVET	5199	2
56	69-58286-3 SUPPORT	5199	2
57	69-58286-4 SUPPORT ATTACHING PARTS RIVET	5199	2
	BACR15BA4A RIVET	5199	12
58	BACG20ZA259 GROMMET	5199	1
59	BACG20ZA283 GROMMET	5199	1
59A	SCN001 CONNECTOR, POWER (V26742)	5199	1
60A	65C10903-11 BASEPLATE ASSY.	5199	1
61	65C10904-1 MODULE ASSY, P9-1 (INSTRUMENTS ONLY).	5199	1
62	BACS21X9R STUD ASSY	5199	1
63	BACG20X2 GROMMET	5199	1
64	BACR12X1 RING	5199	1
65	PF3 1-2-44X545 STUD, (V72794).	5199	1
66	BACS22B7 SPRING.	5199	1
67	PC3 1-2X547-12 CUP, (V72794)	5199	1
68	BACS12CB04-5 SCREW	5199	8
69	BACN10NW1 NUT	5199	8
70	BACC45FN14-13P8 CONNECTOR	5199	1
71	BACC45FN10-5P6 CONNECTOR	5199	1
72	BACS12CB06-5 SCREW	5199	4
73	NAS514P632-6 SCREW	5199	4
74	NAS514P1032-8 SCREW	5199	2
75	NAS514P1032-10 SCREW	5199	1
76	66-13524-2 SPACER.	5199	4
77	69-47696-7 SUPPORT, ROD.	5199	1
78	69-51592-12 SUPPORT, CONNECTOR.	5199	1
79	65C10904-2 BASEPLATE ASSY.	5199	1
80	65C10905-1 MODULE ASSY, P9-2 (INSTRUMENTS ONLY).	5199	1
81	BACS21X9R STUD ASSY	5199	2
82	BACG20X2 GROMMET	5199	2
83	BACR12X1 RING	5199	2
84	MS16562-8 PIN, SPRING	5199	1
85	69-45241-1 KNOB ASSY	5199	1
86	69-45241-3 KNOB, LOCKING ROD	5199	1
87	69-45241-4 WASHER, TEFLON (ALTERED FROM;NAS1515M4L).	5199	1
88	69-45240-1 SPRING, TORSION	5199	1
89	69-45241-8 ROD, LOCKING.	5199	1
90	BACG20ZA1120 GROMMET	5199	1
91	BACG20ZA360 GROMMET	5199	1
92	BACG20ZA384 GROMMET	5199	1
93	BACS12CB04-5 SCREW	5199	8
94	BACS12CB06-5 SCREW	5199	3
95	NAS514P632-5 SCREW	5199	3
96	69-47150-10 SUPPORT, CONNECTOR.	5199	1
96M	BACC45FN14-13P6 CONNECTOR	5199	1
96N	BACC45FN18-14P CONNECTOR	5199	1
96P	BACC45FN18-14P6 CONNECTOR	5199	1
96R	BACC45FN22-12P CONNECTOR	5199	1
97	66-13524-8 SPACER.	5199	3
98	SCN001 CONNECTOR, POWER (V26742)	5199	1
99	65C10905-2 BASEPLATE ASSY.	5199	1
100	65C10906-3 MODULE ASSY, P9-3 (INSTRUMENTS ONLY).	5199	1
101	BACS21X9R STUD ASSY	5199	1
102	BACG20X2 GROMMET	5199	1
103	BACR12X1 RING	5199	1
104	PF3 1-2-44X545 STUD, (V72794).	5199	1
105	BACS22B7 SPRING.	5199	1

MISSING ITEM NUMBERS ARE NOT APPLICABLE



PARTS CATALOG

FIGURE & ITEM NO.	MANUFACTURER'S PART NUMBER	NOMENCLATURE							EFF FROM TO	UNITS PER ASSY
		1	2	3	4	5	6	7		
73 106	PC3 1-2X547-12	5199	1
107	NAS514P1032-10	5199	2
108	NAS514P632-6	5199	4
109	BACS12CB04-5	5199	8
110	BACN10NW1	5199	4
111	BACS12CB06-5	5199	1
112	69-47615-8	5199	1
112A	BACC45FN14-15P7	5199	1
112B	BACC45FN12-12P7	5199	1
113	66-13524-6	5199	4
114	69-53130-8	5199	1
115	NAS514P1032-10	5199	1
116	65C10906-4	5199	1
117	NAS514P428-8	5199	2
118	NAS603-8P	5199	1
119	AN960PD10L	5199	1
120	69-67142-1	5199	1
121	BACS12CB04-4	5199	4
122	BACN10NW1	5199	4
123	NAS514P632-5	5199	6
124	69-47150-11	5199	1
125	66-13524-9	5199	3
126	63-8651	5199	1
	BACR15BB4D	5199	2
127	NAS514P1032-10	5199	1
128	69-67142-2	5199	1
129A	65C10907-9	5199	1
130	BACS21X9R	5199	1
131	BACG20X2	5199	1
132	BACR12X1	5199	1
133	MS16562-8	5199	1
134	69-45241-1	5199	1
135	69-45241-3	5199	1
136	69-45241-4	5199	1
137	69-45240-1	5199	1
138	69-45241-8	5199	1
139A	BACC45FN22-55P8	5199	1
	BACS12CB04-6	5199	3
	BACN10NW1	5199	3
140	69-43873-12	5199	1
	BACR15BA4D	5199	2
141	NAS514P1032-8	5199	2
142	69-53130-4	5199	1
143	BACG20ZA287	5199	1
144	BACG20ZA307	5199	1
144A	SCN001	5199	1
145A	65C10907-10	5199	1
146	65C10908-4	5199	1
147	BACS21X9R	5199	1
148	BACG20X2	5199	1
149	BACR12X1	5199	1
150	MS16562-8	5199	1
151	69-45241-1	5199	1
152	69-45241-3	5199	1
153	69-45241-4	5199	1
154	69-45240-1	5199	1
155	69-45243-3	5199	1
156	MS16562-10	5199	1
157	69-45243-2	5199	1
157A	69-45262-19	5199	1
158	MS24585-80	5199	1
159	69-45239-7	5199	1
160	BACG20ZA368	5199	1
161	65C10908-5	5199	1
162	65C10909-8	5199	1
163	BACS21X9R	5199	1
164	BACG20X2	5199	1
165	BACR12X1	5199	1

MISSING ITEM NUMBERS ARE NOT APPLICABLE

BOEING **707**
Intercontinental 
PARTS CATALOG

FIGURE & ITEM NO.	MANUFACTURER'S PART NUMBER	NOMENCLATURE							EFF FROM TO	UNITS PER ASSY
		1	2	3	4	5	6	7		
73 166	MS16562-8	5199	1
167	69-45241-1	5199	1
168	69-45241-3	5199	1
169	69-45241-4	5199	1
170	69-45240-1	5199	1
171	69-45241-8	5199	1
172	BACN10MS3-10	5199	1
	BACR15BA3D	5199	2
173	BACS12CB04-5	5199	3
174	BACN10NW1	5199	3
175	BACS12CB06-5	5199	3
176	MS35338-41	5199	3
177	NAS514P632-5	5199	3
178	69-51592-1	5199	1
179	66-13524-11	5199	3
180	NAS514P1032-10	5199	1
181	AN960D416	5199	1
182	MS35650-305T	5199	1
183	BACN10JC3	5199	1
184	BACG20ZA259	5199	1
185	BACG20ZA283	5199	1
186A	65C10909-10	5199	1
	65C10909-16	5199	1
186B	BACC45FN14-15PB	5199	1
187	69-47605-7	5199	2
188	BACC45FN12-12P	5199	1
	BACS12CB04-4	5199	4
	BACN10NW1	5199	4
189	69-51592-9	5199	1
	NAS514P632-5	5199	2
	NAS679A06W	5199	2
190	BACS21F7-38	5199	4
191	BACS22B7	5199	4
192	BACC30F7	5199	4
193	69-47605-8	5199	1
194	69-67143-1	5199	2
195	BACC45FN10-5P	5199	1
	BACS12CB04-5	5199	4
	BACN10NW1	5199	4
196	SCN001	5199	1
197	69-47297-11	5199	1
198	BACS21F7-38	5199	4
199	BACS22B7	5199	4
200	BACC30F7	5199	4
201	69-66331-7	5199	1
202	BACC45FN12-12P	5199	1
	BACS12CB04-6	5199	3
	BACN10NW1	5199	3
203	69-43873-59	5199	1
203A	SCN001	5199	1
204	69-66331-8	5199	1
205	69-51578-8	5199	2
206	69-51578-2	5199	1
207	69-62337-9	5199	1
208	69-62337-2	5199	1
209	69-62337-3	5199	1
210	BACS21DD1	5199	4
211	69-46798-2	5199	1
212	BACS21F7-38	5199	4
213	BACS22B7	5199	4
214	BACC30F7	5199	4
215	69-46798-4	5199	1

MISSING ITEM NUMBERS ARE NOT APPLICABLE



PARTS CATALOG

FIGURE & ITEM NO.	MANUFACTURER'S PART NUMBER	NOMENCLATURE 1 2 3 4 5 6 7	EFF FROM TO	UNITS PER ASSY
73		. FOR REFERENCE TO OTHER MODULE DETAILS, SEE NHA. . . .	5199	
MISSING ITEM NUMBERS ARE NOT APPLICABLE				

BOEING *707* *Intercontinental* 
PARTS CATALOG

SECTION 02
FLIGHT ENGINEERS PANEL

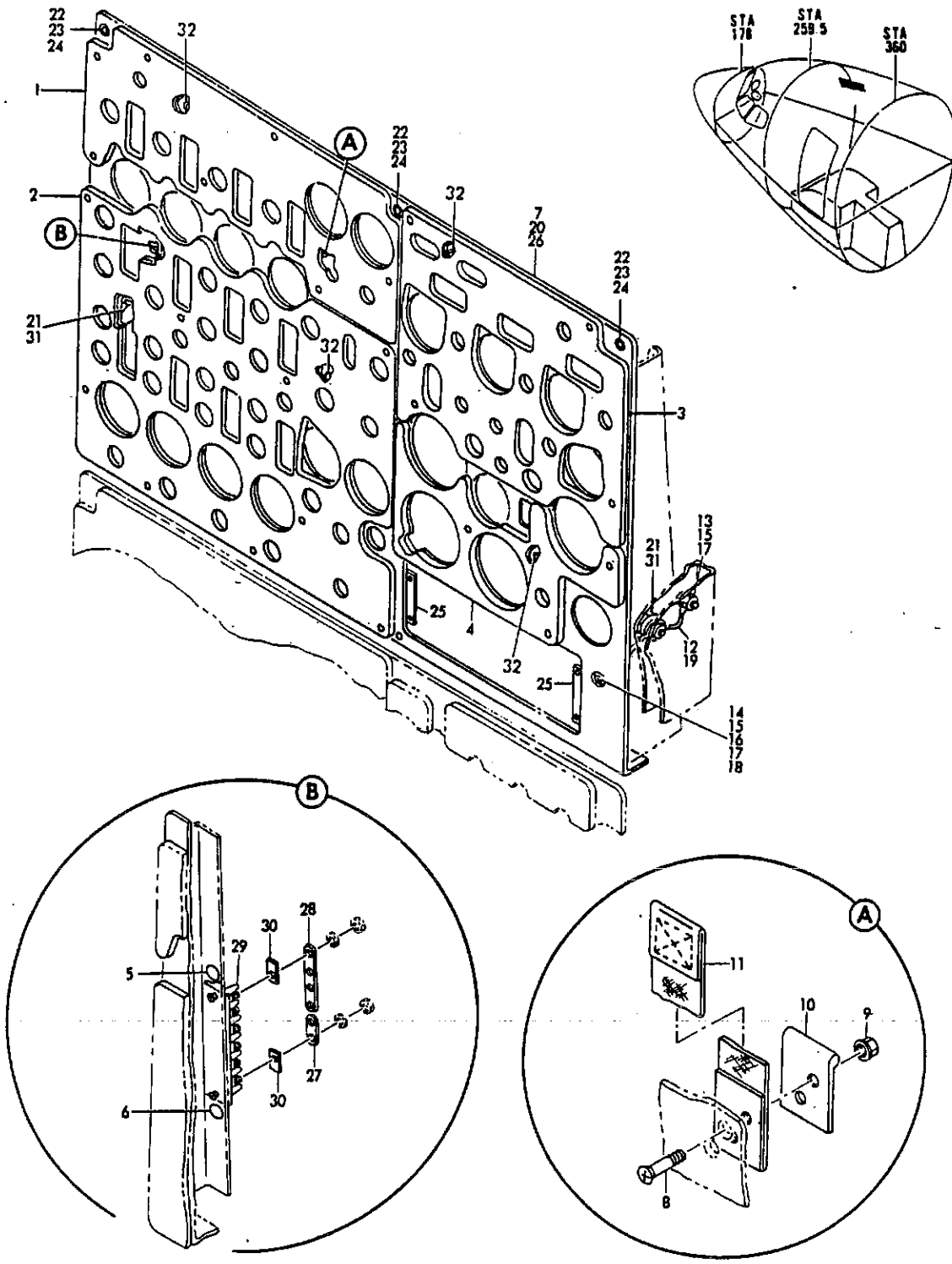


FIGURE 33A. PANEL INSTL, FLIGHT ENGINEERS UPPER (INSTRUMENTS ONLY)

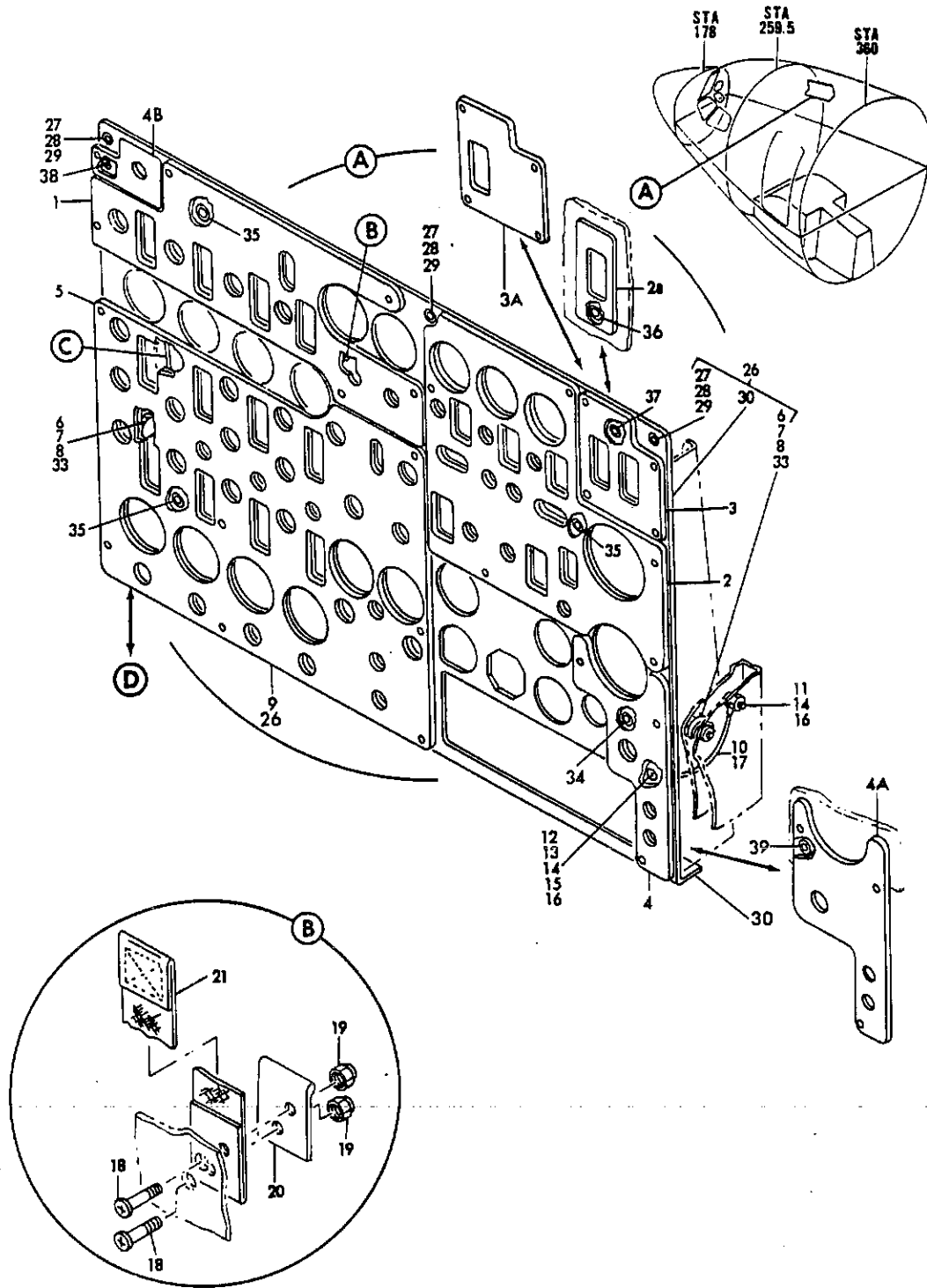


FIGURE 34B. PANEL INSTL, FLIGHT ENGINEERS UPPER (INSTRUMENTS ONLY)

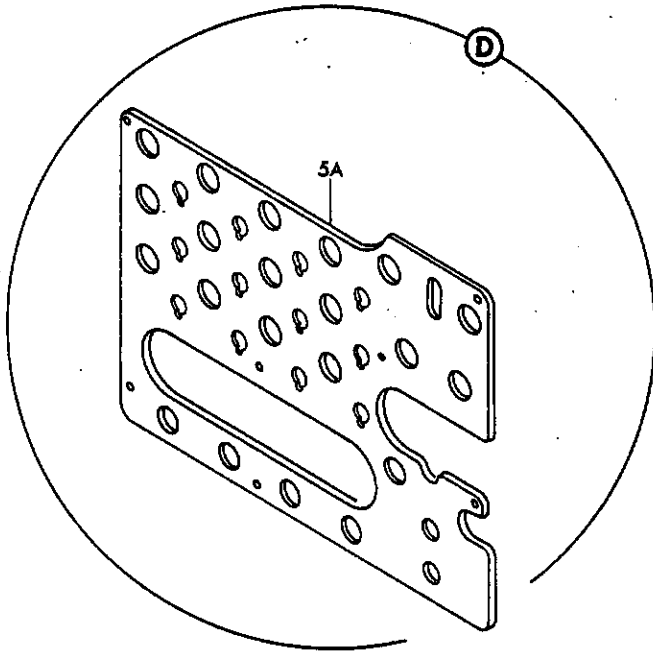
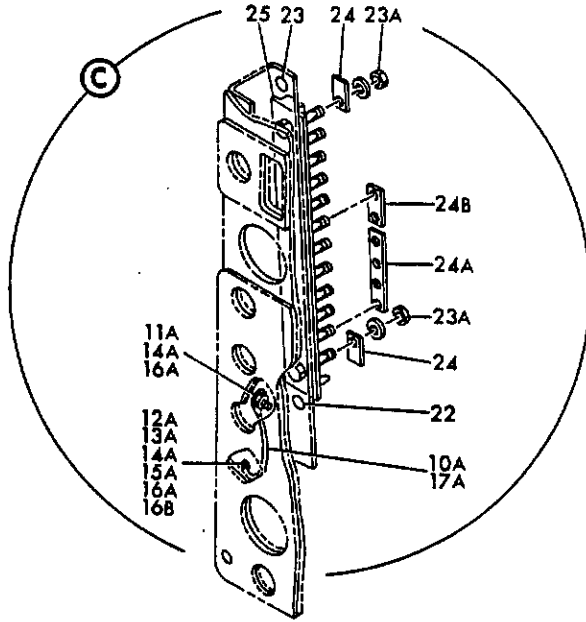


FIGURE 34B PANEL INSTL, FLIGHT ENGINEERS UPPER (INSTRUMENTS ONLY) (SHEET 2)

NOV 21/90.

31-02-34B

DETAILED PARTS LIST
31-02-34B
PAGE 1



PARTS CATALOG

FIGURE & ITEM NO.	MANUFACTURER'S PART NUMBER	NOMENCLATURE							EFF FROM TO	UNITS PER ASSY
		1	2	3	4	5	6	7		
34B	65-58955-1	PANEL INSTL, FLIGHT ENGINEERS UPPER (INSTRUMENTS ONLY) (SEE 25-1, FIG. 1E, ITEM 8, 25-1, FIG. 1F, ITEM 5, 25-1, FIG. 2D, ITEM 6 AND 25-1, FIG. 2E, ITEM 102)							5199	RF
1	10-61437-585G	. LIGHTPLATE ASSY, AC AND DC POWER (SEE CHAPTER 33 FOR BREAKDOWN)							5199	1
	SFSW6C5DG	ATTACHING PARTS . SCREW, (V12234)							5199	4
2	10-61437-529G	. LIGHTPLATE ASSY, AIR CONDITIONING AND PRESSURIZATION (SEE CHAPTER 33 FOR BREAKDOWN)							5199	1
	SFSW6C5DG	ATTACHING PARTS . SCREW, (V12234)							5199	5
3	10-61437-531G	. LIGHTPLATE ASSY, CREW AUXILIARY HEAT VALVE (SEE . . . CHAPTER 33 FOR BREAKDOWN)							5199	1
	SFSW6C5DG	ATTACHING PARTS . SCREW, (V12234)							5199	4
4	10-61437-530G	. LIGHTPLATE ASSY, CABIN AIR TEMPERATURE (SEE CHAPTER . 33 FOR BREAKDOWN)							5199	1
	SFSW6C5DG	ATTACHING PARTS . SCREW, (V12234)							5199	3
4B	10-61437-511G	. LIGHTPLATE ASSY, FUEL FLOWMETER POWER (SEE CHAPTER 33 FOR BREAKDOWN)							5199	1
	SFSW6C5DG	ATTACHING PARTS . SCREW, (V12234)							5199	2
5	10-61437-537G	. LIGHTPLATE ASSY, GENERATOR CONTROL (SEE CHAPTER 33 . FOR BREAKDOWN)							5199	1
	SFSW6C5DG	ATTACHING PARTS . SCREW, (V12234)							5199	6
6	AN4-6A	. BOLT							5199	2
7	NAS105774-018	. SPACER							5199	2
8	AN960-416L	. WASHER							5199	2
9	65-58955-98	. UNIT ASSY, INSTRUMENTS ONLY)							5199	1
10	MS25083-2886	. JUMPER ASSY							5199	1
		ATTACHING PARTS								
11	BACS12CB3-8	. SCREW							5199	1
12	NAS514P1032-10	. SCREW							5199	1
13	MS35338-43	. WASHER							5199	1
14	AN960D10L	. WASHER							5199	5
15	MS20341-10	. NUT							5199	1
16	NAS679A3W	. NUT							5199	2
17	65-58955-7	. SLEEVE							5199	1
18	NAS514P1032-8	. SCREW							5199	2
19	NAS679A3W	. NUT							5199	2
20	63-9208	. SPACER, OVERHEAD PANEL STOP STRAP							5199	1
21	66-1923-3	. STRAP, PANEL STOP							5199	1
22	BACM10N00-2PP	. MARKER-ALUMINUM FOIL, 1							5199	1
23	BACM10N00-2FU	. MARKER-ALUMINUM FOIL, 12.							5199	1
23A	NAS679A3W	. NUT							5199	12
24	MS25227-3	. STRIP							5199	2
		ATTACHING PARTS								
	NAS679A3W	. NUT							5199	2
24A	MS25226-4-4	. BUS							5199	1
24B	MS25226-4-2	. BUS							5199	1
25	MS27212-2-12	. TERMINAL BOARD ASSY							5199	1
		ATTACHING PARTS								
	NAS600-6P	. SCREW							5199	2
	NAS679A04W	. NUT							5199	2
26	65-58955-99	. PANEL ASSY							5199	1
27	BACS21X6R	. STUD ASSY							5199	3
28	BACG20X2	. GROMMET							5199	3
29	BACR12X1	. RING							5199	3
30	65-58955-100	. BASEPLATE							5199	1
33	BACB28B7-185	. BUSHING							5199	2
34	SCN001	. CONNECTOR, POWER (V26742)							5199	1
35	SCN001	. CONNECTOR, POWER (V26742)							5199	3
37	SCN001	. CONNECTOR, POWER (V26742)							5199	1

MISSING ITEM NUMBERS ARE NOT APPLICABLE



PARTS CATALOG

FIGURE & ITEM NO.	MANUFACTURER'S PART NUMBER	1 2 3 4 5 6 7 NOMENCLATURE	EFF FROM TO	UNITS PER ASSY
34B 38	SCN001	. . CONNECTOR, POWER (V26742) FOR REFERENCE TO OTHER PANEL DETAILS, SEE NHA	5199 5199	1

MISSING ITEM NUMBERS ARE NOT APPLICABLE

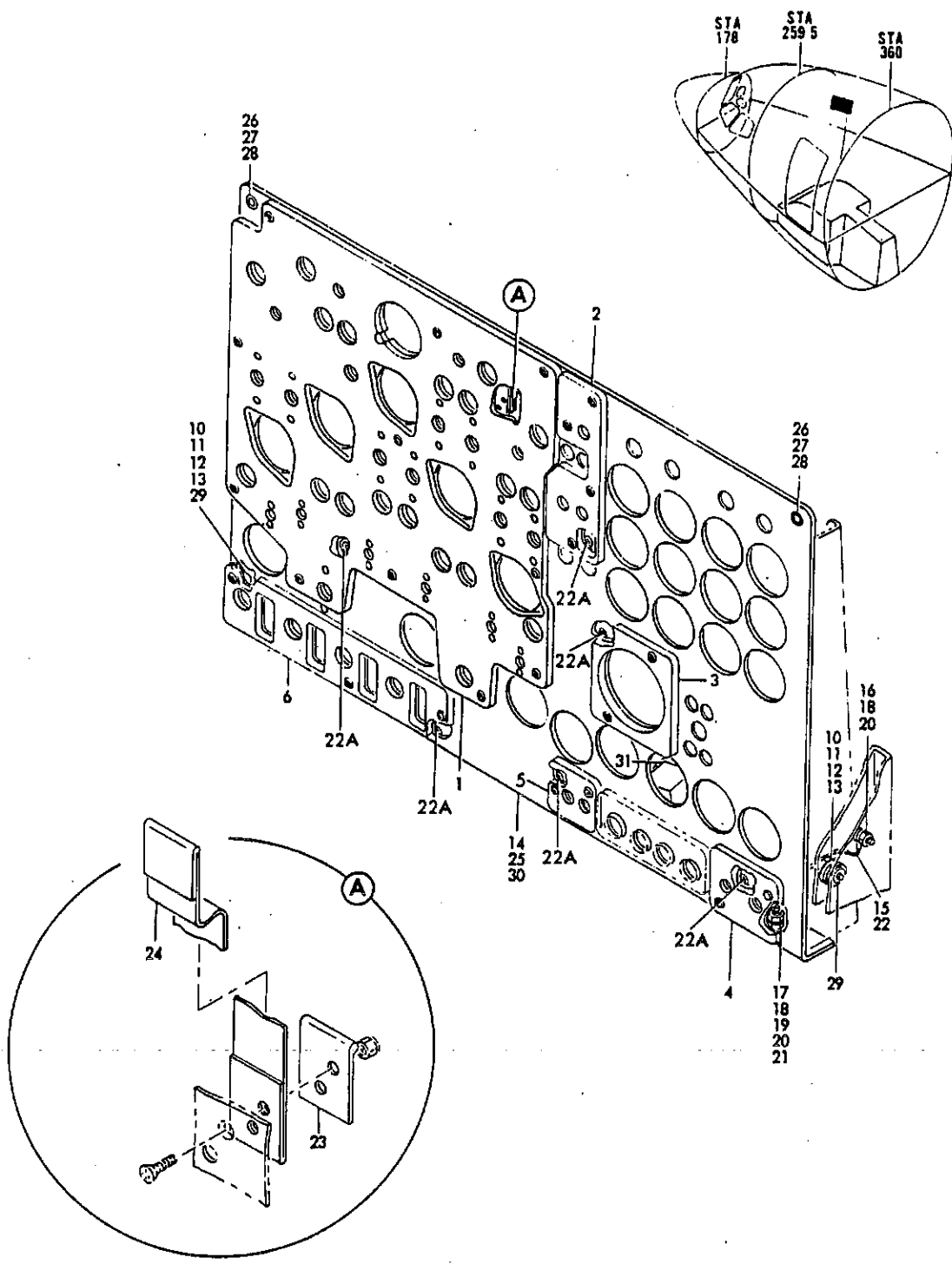


FIGURE 35D. PANEL INSTL. FLIGHT ENGINEERS LOWER (INSTRUMENTS ONLY)



PARTS CATALOG

FIGURE & ITEM NO.	MANUFACTURER'S PART NUMBER	NOMENCLATURE										EFF FROM TO	UNITS PER ASSY	
		1	2	3	4	5	6	7						
R R R R R	35D	65-58398-1	PANEL INSTL, FLIGHT ENGINEERS LOWER (INSTRUMENTS ONLY) (SEE 25-1, FIG. 1K, ITEM 5)										0150	RF
		65-58398-1	PANEL INSTL, FLIGHT ENGINEERS LOWER (INSTRUMENTS . . . ONLY) (DELETED BY 7211.019-225) (SEE 25-1, FIG. 1K, ITEM 5)										0150	RF
	1	10-60424-2480	. LIGHTPLATE ASSY, FUEL SYSTEM DETACHABLE CIRCUIT (SEE CHAPTER 33 FOR BREAKDOWN)										0150	1
	2	10-60424-3407	. LIGHTPLATE ASSY, EQUIPMENT COOLING DETACHABLE CIRCUIT (SEE CHAPTER 33 FOR BREAKDOWN)										0150	1
	3	10-60424-3050	. LIGHTPLATE ASSY, TOTAL AIR TEMPERATURE DETACHABLE . . CIRCUIT (SEE CHAPTER 33 FOR BREAKDOWN)										0150	1
	4	10-60424-2482	. LIGHTPLATE ASSY, ENGINE VIBRATION DETACHABLE CIRCUIT (SEE CHAPTER 33 FOR BREAKDOWN)										0150	1
	5	10-60424-2417	. LIGHTPLATE ASSY, HYDRAULIC FLUID SHUTOFF DETACHABLE . CIRCUIT (SEE CHAPTER 33 FOR BREAKDOWN)										0150	1
	6	10-60424-2433	. LIGHTPLATE ASSY, FUEL HEATERS DETACHABLE CIRCUIT (SEE CHAPTER 33 FOR BREAKDOWN)										0150	1
			ATTACHING PARTS											
		AN515B6R5	. SCREW										0150	24
		AN960D6	. WASHER.										0150	24
		BACW1DAJ1	. WASHER.										0150	24

	10	AN960-616	. WASHER.										0150	AR
	11	AN4-6A	. BOLT.										0150	2
	12	AN960-416L	. WASHER.										0150	2
	13	NAS1057T4-018	. SPACER.										0150	2
	14	65-58398-13	. UNIT ASSY, (INSTRUMENTS ONLY)										0150	1
	15	MS25083-2BB6	. JUMPER ASSY										0150	1
			ATTACHING PARTS											
	16	BACS12CB3-8	. SCREW										0150	1
	17	BACS12CB3-10	. SCREW										0150	1
	18	AN960D10L	. WASHER.										0150	6
	19	MS35338-43	. WASHER.										0150	1
	20	NAS679A3W	. NUT										0150	2
	21	MS20341-10	. NUT										0150	1

	22	65-58398-6	. SLEEVE.										0150	1
	22A	SCN001	. CONNECTOR, POWER (V26742)										0150	6
	23	63-9208	. PLATE										0150	1
	24	66-1923-2	. STRAP										0150	1
		ATTACHING PARTS												
	NAS514P1032-8	. SCREW										0150	2	
	NAS679A3W	. NUT										0150	2	

25	65-58398-14	. PANEL ASSY.										0150	1	
26	BACS21X6R	. STUD ASSY										0150	2	
27	BACG20X2	. GROMMET										0150	2	
28	BACR12X1	. RING.										0150	2	
29	BACB2887-185	. BUSHING										0150	2	
30	65-58398-15	. BASEPLATE										0150	1	
31	10167-2B	. TIME DELAY ASSY, (V08719)										0150	1	
		. FOR REFERENCE TO OTHER PANEL DETAILS, SEE NHA										0150		

MISSING ITEM NUMBERS ARE NOT APPLICABLE

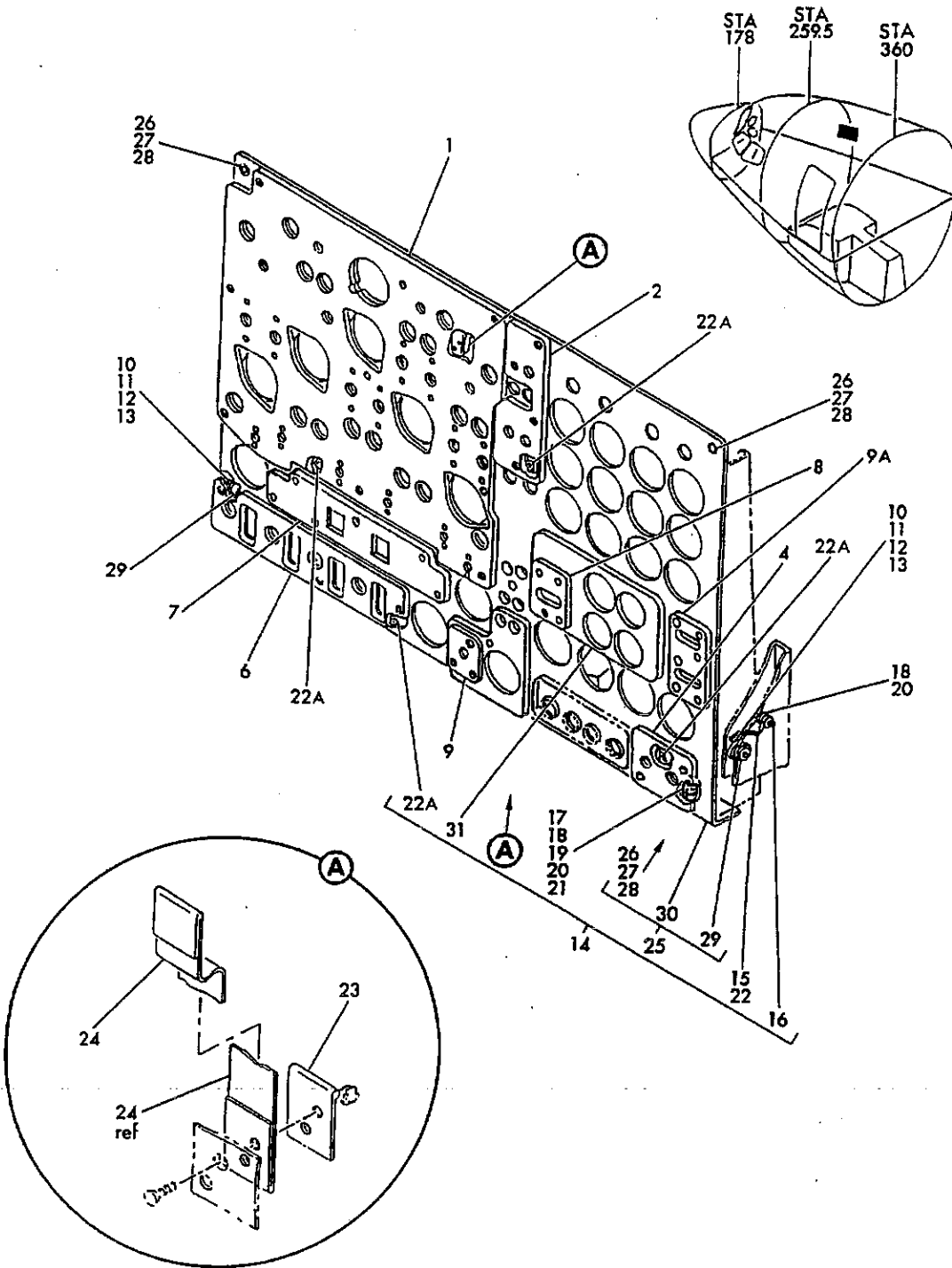


FIGURE 35E. PANEL INSTL, FLIGHT ENGINEERS LOWER (INSTRUMENTS ONLY)



PARTS CATALOG

FIGURE & ITEM NO.	MANUFACTURER'S PART NUMBER	NOMENCLATURE	EFF		UNITS PER ASSY
			FROM TO	PER ASSY	
37K	65-58956-1	PANEL INSTL, FLIGHT ENGINEERS LOWER (INSTRUMENTS ONLY) (SEE 25-1, FIG. 2E, ITEM 83)	5199		RF
1	10-61437-502G	. LIGHTPLATE ASSY, FUEL HEATERS (SEE CHAPTER 33 FOR . . . BREAKDOWN)	5199		1
2A	10-61437-631G	. LIGHTPLATE ASSY, FUEL SYSTEM (SEE CHAPTER 33 FOR . . . BREAKDOWN)	5199		1
2B	10-61437-627G	. LIGHTPLATE ASSY, OIL QUANTITY TEST AND EQUIPMENT. . . COOLING (SEE CHAPTER 33 FOR BREAKDOWN)	5199		1
2D	10-61437-532G	. LIGHTPLATE ASSY, HYDRAULIC SYSTEM AND ENGINE. VIBRATION (SEE CHAPTER 33 FOR BREAKDOWN)	5199		1
	SFSW6C5DL01GY	ATTACHING PARTS . SCREW, (V12324)	5199		20
3	AN4-6A	. BOLT.	5199		2
4	AN960-416L	. WASHER.	5199		2
5	NAS105774-01B	. SPACER.	5199		2
5A	BACG20ZA400	. GROMMET	5199		1
6	65-58956-88	. UNIT ASSY, (INSTRUMENTS ONLY)	5199		1
10	MS25083-28B6	. JUMPER ASSY	5199		1
		ATTACHING PARTS			
11	BACS12CB9-8	. SCREW	5199		1
12	BACS12CB9-10	. SCREW	5199		1
13	MS35338-43	. WASHER.	5199		1
14	AN960D10L	. WASHER.	5199		6
15	MS20341-10	. NUT	5199		1
16	BACN10JC3	. NUT	5199		2
		-----*			
17	65-58956-6	. SLEEVE.	5199		1
18	NAS514P1032-8	. SCREW	5199		2
19	NAS679A3W	. NUT	5199		2
20	63-9208	. SPACER.	5199		1
21	66-1923-2	. STRAP	5199		1
22	BACM10N00-2PP	. MARKER-ALUMINUM FOIL, 1	5199		1
23	BACM10N00-2AAN	. MARKER-ALUMINUM FOIL, 7	5199		1
24	MS25227-3A	. STRIP	5199		2
	NAS679A3W	ATTACHING PARTS . NUT	5199		7
		-----*			
25	MS27212-2-7	. TERMINAL BOARD ASSY	5199		1
	NAS600-6P	ATTACHING PARTS			
	BACN10JC04	. SCREW	5199		2
		. NUT	5199		2
		-----*			
26	SCN001	. CONNECTOR, POWER (V26742)	5199		4
26A	SCN001	. CONNECTOR, POWER (V26742)	5199		1
28	65-58956-89	. PANEL ASSY.	5199		1
29	BACS21X6R	. STUD ASSY	5199		2
30	BACG20X2	. GROMMET	5199		2
31	BACR12X1	. RING.	5199		2
32	BACB2887-185	. BUSHING	5199		2
33	65-58956-90	. BASEPLATE	5199		1
		. FOR REFERENCE TO OTHER PANEL DETAILS, SEE NHA	5199		

MISSING ITEM NUMBERS ARE NOT APPLICABLE

A 3102039A SHT 1 REV 265

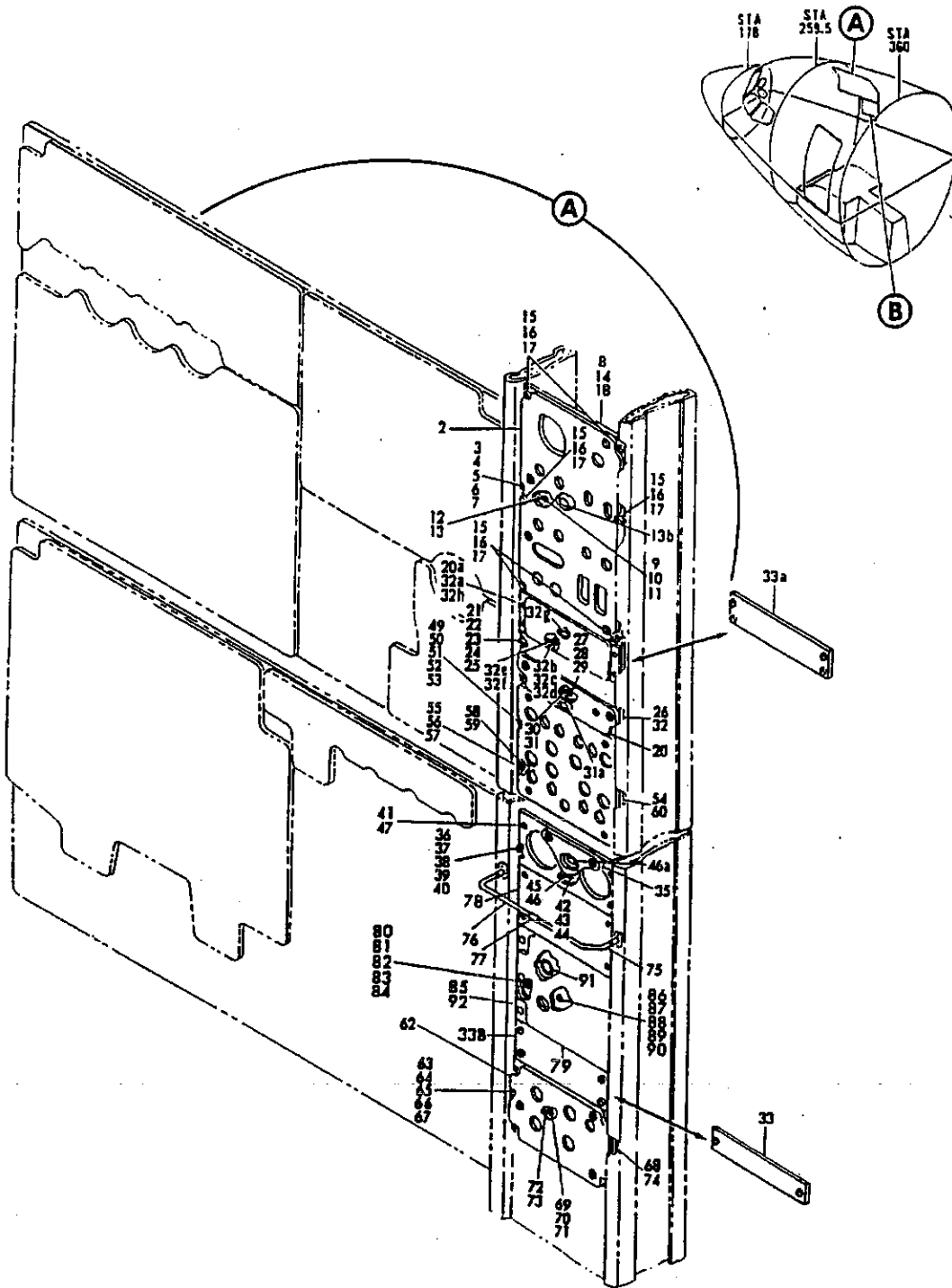
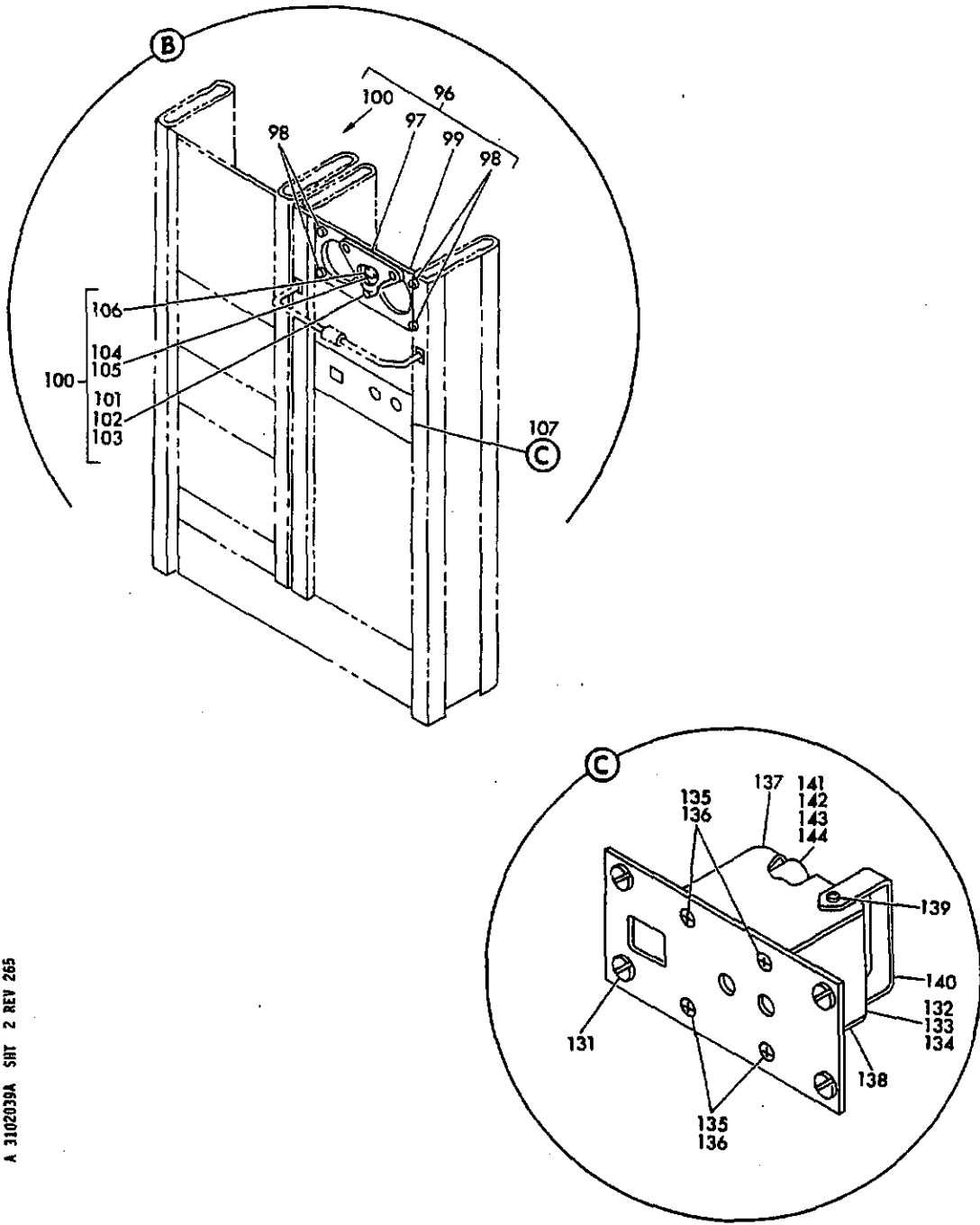


FIGURE 39A. PANEL INSTL., FLIGHT ENGINEERS AXILIARY (INSTRUMENTS ONLY) (SHEET 1)



A 310239A SHY 2 REV 265

FIGURE 39A. PANEL INSTL, FLIGHT ENGINEERS AXILIARY (INSTRUMENTS ONLY) (SHEET 2)

NOV 21/94

31-02-39A

DETAILED PARTS LIST
 31-02-39A
 PAGE 1

BOEING **707**
Intercontinental

PARTS CATALOG

FIGURE & ITEM NO.	MANUFACTURER'S PART NUMBER	NOMENCLATURE	EFF FROM TO	UNITS PER ASSY
39A	65-58399-1	PANEL INSTL, FLIGHT ENGINEERS AUXILIARY (INSTRUMENTS ONLY) (SEE 25-1, FIG. 1K, ITEM 5 AND 25-1, FIG. 2C, ITEM 8)	0150	RF
2	65-57565-33 10-60424-3417	PANEL INSTL, COOLANT AIR SYSTEM (INSTRUMENTS ONLY). LIGHTPLATE ASSY, DETACHABLE CIRCUIT (SEE CHAPTER 33 FOR BREAKDOWN)	0150 0150	1 1
	AN515B6R5 BACW10AJ1 AN960D6	ATTACHING PARTS SCREW WASHER WASHER	0150 0150 0150	4 4 4
3	BACS12CB3-10	SCREW	0150	1
4	MS20341-10A	NUT	0150	1
5	MS3533B-43	WASHER	0150	1
6	AN960D10L	WASHER	0150	3
7	NAS679A3W	NUT	0150	1
8	65-57565-34	UNIT ASSY, (INSTRUMENTS ONLY)	0150	1
9	NAS514P1032-10	SCREW	0150	1
10	AN960D10L	WASHER	0150	2
11	NAS679A3W	NUT	0150	1
12	MS25083-28B6	JUMPER	0150	1
13	65-57565-10	SLEEVE	0150	1
13B	SCN001	CONNECTOR, POWER (V26742)	0150	1
14	65-57565-35	PANEL ASSY.	0150	1
15	BACS21F7-3B	STUD	0150	6
16	BACS22B7	SPRING	0150	6
17	BACC30F7	CUP	0150	6
18	65-57565-36 65-57565-20 65-57565-32	BASEPLATE PANEL INSTL, ZONE CONTROLS (INSTRUMENTS ONLY) PANEL INSTL, CABIN AIR (INSTRUMENTS ONLY)	0150 0150 0150	1 1 1
20	10-60424-3064	LIGHTPLATE ASSY, DETACHABLE CIRCUIT (SEE CHAPTER 33 FOR BREAKDOWN)	0150	1
	AN515B6R5 BACW10AJ1 AN960D6	ATTACHING PARTS SCREW WASHER WASHER	0150 0150 0150	2 2 2
20A	10-60424-3411	LIGHTPLATE ASSY, DETACHABLE CIRCUIT (SEE CHAPTER 33 FOR BREAKDOWN)	0150	1
	AN515B6R5 BACW10AJ1 AN960D6	ATTACHING PARTS SCREW WASHER WASHER	0150 0150 0150	2 2 2
21	BACS12CB3-10	SCREW	0150	1
22	MS20341-10A	NUT	0150	1
23	MS3533B-43	WASHER	0150	1
24	AN960D10L	WASHER	0150	3
25	NAS679A3W	NUT	0150	1
26	65-57565-18	UNIT ASSY, (INSTRUMENTS ONLY)	0150	1
27	NAS514P1032-10	SCREW	0150	1
28	AN960D10L	WASHER	0150	2
29	NAS679A3W	NUT	0150	1
30	MS25083-28B6	JUMPER	0150	1
31	65-57565-10	SLEEVE	0150	1
31A	SCN001	CONNECTOR, POWER (V26742)	0150	1
32	65-57565-19	PANEL ASSY, (ALTERED FROM BACP1000300G)	0150	1
32A	65-57565-30	UNIT ASSY, (INSTRUMENTS ONLY)	0150	1
32B	NAS514P1032-10	SCREW	0150	1
32C	AN960D10L	WASHER	0150	2
32D	NAS679A3W	NUT	0150	1
32E	MS25083-28B6	JUMPER	0150	1
32F	65-57565-10	SLEEVE	0150	1
32G	SCN001	CONNECTOR, POWER (V26742)	0150	1
32H	65-57565-31	PANEL ASSY.	0150	1
33	BACP1000112G 65-40586-51	PANEL ASSY, (DELETED BY RAF 7211.019-225) PANEL INSTL, OXYGEN PRESSURE (INSTRUMENTS ONLY) (DELETED BY RAF 7211.019-225)	0150 0150	1 1
35	10-60424-2479	LIGHTPLATE ASSY, DETACHABLE CIRCUIT (DELETED BY RAF 7211.019-225) (SEE CHAPTER 33 FOR BREAKDOWN)	0150	1
	AN515B6R5 BACW10AJ1	ATTACHING PARTS SCREW, (DELETED BY RAF 7211.019-225) WASHER, (DELETED BY RAF 7211.019-225)	0150 0150	2 2

MISSING ITEM NUMBERS ARE NOT APPLICABLE

R
R
R
R
R
R
R

PARTS CATALOG

FIGURE & ITEM NO.	MANUFACTURER'S PART NUMBER	NOMENCLATURE							EFF FROM TO	UNITS PER ASSY	
		1	2	3	4	5	6	7			
R 39A	AN960D6	. . . WASHER, (DELETED BY RAF 7211.019-225)							0150	2	
R	36	BACS12CB3-10	. . . SCREW, (DELETED BY RAF 7211.019-225)							0150	1
R	37	MS20341-10A	. . . NUT, (DELETED BY RAF 7211.019-225)							0150	1
R	38	MS35338-43	. . . WASHER, (DELETED BY RAF 7211.019-225)							0150	1
R	39	AN960D10L	. . . WASHER, (DELETED BY RAF 7211.019-225)							0150	3
R	40	NAS679A3W	. . . NUT, (DELETED BY RAF 7211.019-225)							0150	1
R	41	65-40586-31	. . . UNIT ASSY, (INSTRUMENTS ONLY) (DELETED BY RAF 7211.019-225)							0150	1
R	42	NAS514P1032-10	. . . SCREW, (DELETED BY RAF 7211.019-225)							0150	1
R	43	AN960D10L	. . . WASHER, (DELETED BY RAF 7211.019-225)							0150	2
R	44	NAS679A3W	. . . NUT, (DELETED BY RAF 7211.019-225)							0150	1
R	45	65-40586-5	. . . SLEEVE, (DELETED BY RAF 7211.019-225)							0150	1
R	46	MS25083-2BB6	. . . JUMPER, (DELETED BY RAF 7211.019-225)							0150	1
R	46A	SCN001	. . . CONNECTOR, POWER (V26742) (DELETED BY RAF 7211.019-225)							0150	1
R			(OPTIONAL 107A (V04211))								
R	46A	107A	. . . CONNECTOR, POWER (V04211) (DELETED BY RAF 7211.019-225)							0150	1
R			(OPTIONAL TO SCN001 (V26742))								
R	47	65-40586-50	. . . PANEL ASSY, (ALTERED FROM BACP10C5) (DELETED BY 7211.019-225)							0150	1
R			. . . PANEL INSTL, FUEL DUMP (INSTRUMENTS ONLY)							0150	1
R	49	65-58741-2	. . . SCREW							0150	1
R	50	BACS12CB3-10	. . . NUT							0150	1
R	51	MS20341-10A	. . . WASHER							0150	1
R	52	MS35338-43	. . . WASHER							0150	3
R	53	AN960D10L	. . . NUT							0150	1
R	54	NAS679A3W	. . . UNIT ASSY, (INSTRUMENTS ONLY)							0150	1
R	55	65-58741-3	. . . SCREW							0150	1
R	56	NAS603-10P	. . . WASHER							0150	3
R	57	AN960D10L	. . . NUT							0150	1
R	58	NAS679A3W	. . . SLEEVE							0150	1
R	59	65-58741-4	. . . JUMPER							0150	1
R	60	MS25083-2BB6	. . . PANEL							0150	1
R	62	66-13559-3	. . . PANEL INSTL, LIGHTING CONTROLS (INSTRUMENTS ONLY)							0150	1
R		65-57565-4	. . . LIGHTPLATE ASSY, DETACHABLE CIRCUIT (SEE CHAPTER 33 FOR BREAKDOWN)							0150	1
R		10-60424-3054	ATTACHING PARTS								
R		AN515B6R5	. . . SCREW							0150	3
R		BACW10AJ1	. . . WASHER							0150	3
R		AN960D6	. . . WASHER							0150	3
R	63	BACS12CB3-10	. . . SCREW							0150	1
R	64	MS35338-43	. . . WASHER							0150	1
R	65	MS20341-10A	. . . NUT							0150	1
R	66	AN960D10L	. . . WASHER							0150	3
R	67	NAS679A3W	. . . NUT							0150	1
R	68	65-57565-5	. . . UNIT ASSY, (INSTRUMENTS ONLY)							0150	1
R	69	NAS514P1032-10	. . . SCREW							0150	1
R	70	AN960D10L	. . . WASHER							0150	2
R	71	NAS679A3W	. . . NUT							0150	1
R	72	65-57565-10	. . . SLEEVE							0150	1
R	73	MS25083-2BB6	. . . JUMPER							0150	1
R	74	65-57565-6	. . . PANEL ASSY							0150	1
R	75	69-43688-2	. . . GUARD							0150	1
R	76	69-43688-1	. . . GUARD							0150	1
R	77	69-43688-3	. . . SLEEVE							0150	1
R		361-39-11-74193-001	. . . PANEL INSTL. MOD, FLIGHT ENGINEERS AUXILIARY (VS2500) (ADDED BY RAF 7211.019-225) (SEE 25-1, FIG. 1K, ITEM 5)							0150	RF
R	79	65-57565-64	. . . PANEL INSTL, FLIGHT RECORDER (INSTRUMENTS ONLY)							0150	1
R		10-60424-2483	. . . LIGHTPLATE ASSY, (SEE CHAPTER 33 FOR BREAKDOWN)							0150	1
R			ATTACHING PARTS								
R		AN515B6R5	. . . SCREW							0150	2
R		BACW10AJ1	. . . WASHER							0150	2
R		AN960D6	. . . WASHER							0150	2
R	80	BACS12CB3-10	. . . SCREW							0150	1
R	81	MS20341-10	. . . NUT							0150	1
R	82	MS35338-43	. . . WASHER							0150	1
R	83	AN960D10L	. . . WASHER							0150	3
R	84	NAS679A3W	. . . NUT							0150	1
R	85	65-57565-2	. . . UNIT ASSY, (INSTRUMENTS ONLY)							0150	1

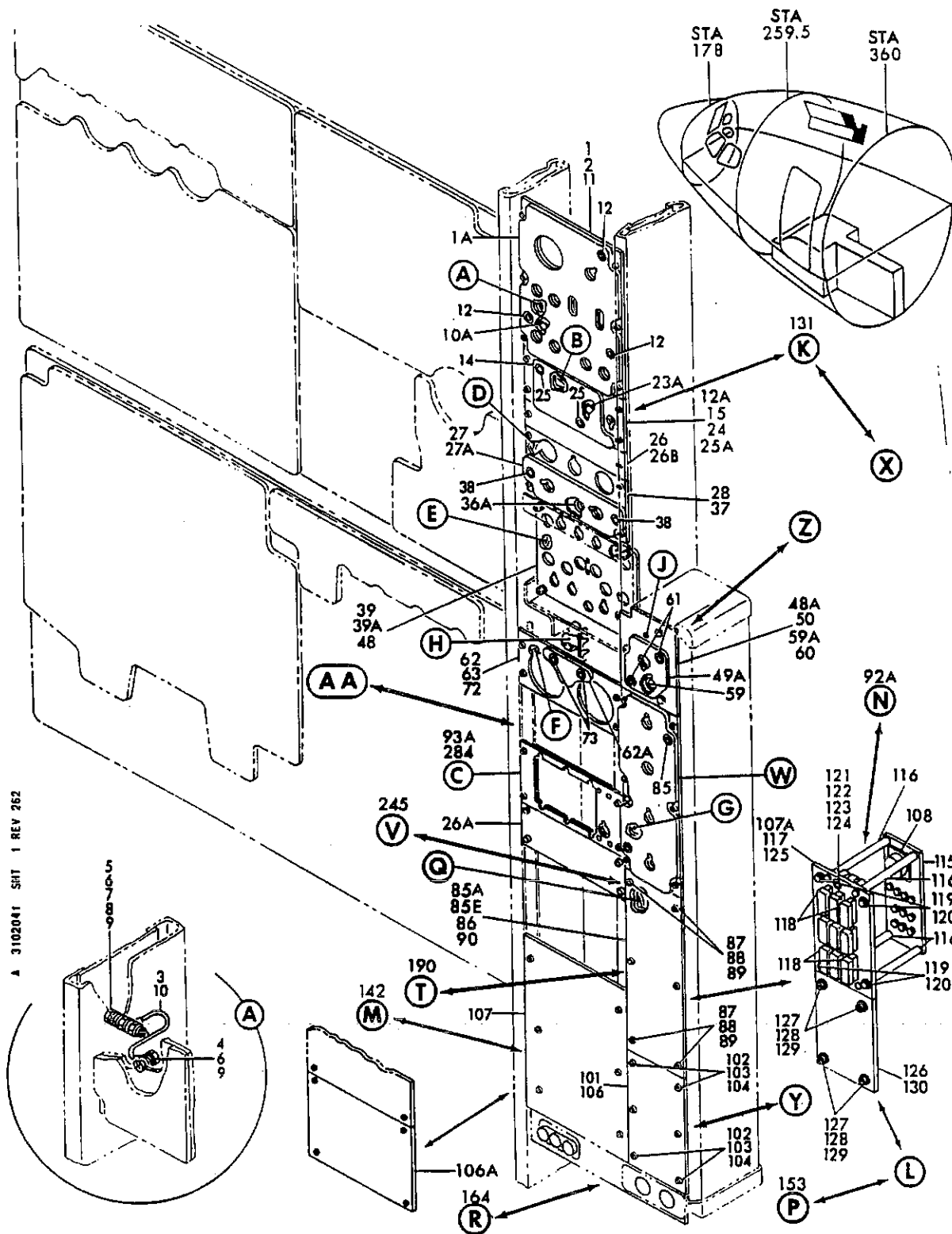
MISSING ITEM NUMBERS ARE NOT APPLICABLE



PARTS CATALOG

FIGURE & ITEM NO.	MANUFACTURER'S PART NUMBER	NOMENCLATURE							EFF FROM TO	UNITS PER ASSY
		1	2	3	4	5	6	7		
39A	86	NAS514P1032-10	SCREW	0150	1
	87	AN960D10L	WASHER	0150	2
	88	NAS679A3W	NUT	0150	1
	89	MS25083-2BB6	JUMPER ASSY	0150	1
	90	65-57565-10	SLEEVE	0150	1
	91	SCN001	CONNECTOR, POWER (V26742)	0150	1
	92	65-57565-3	PANEL ASSY	0150	1
	96	361-39-11-74201-101	OXYGEN PANEL LIGHT ASSY, (INSTRUMENTS ONLY) (VS2500) (ADDED BY RAF 7211.019-225)	0150	1
	97	361-39-11-74201-207	PANEL, (VS2500)	0150	1
	98	PFSC31/2-38A	STUD ASSY	0150	4
	99	361-39-11-74201-205	LIGHT PLATE, (VS2500)	0150	1
R R R		NAS601-6B	SCREW	0150	2
		AN960-JD6	WASHER	0150	2
		NAS1515B06	WASHER	0150	2
R R R R R R R R R R	100	65-40586-31	UNIT ASSY, (INSTRUMENTS ONLY)	0150	1
	101	NAS514P1032-10	SCREW	0150	1
	102	AN960D10L	WASHER	0150	2
	103	NAS679A3W	NUT	0150	1
	104	65-40586-5	SLEEVE	0150	1
	105	MS25083-2BB6	JUMPER	0150	1
	106	SCN001	CONNECTOR POWER, (V26742) (OPTIONAL 107A. (V04211))	0150	1
	106	107A	CONNECTOR POWER, (V04211) (OPTIONAL TO SCN001. (V26742))	0150	1
	107	391-23-50-73977-001	PANEL ASSY, MOD. BOOM MIC. SWITCH (INSTRUMENTS ONLY)	0150	1
	131	391-23-50-73977-103	FRONT PANEL, (VS2500)	0150	1
	132	391-23-50-73977-003	BRACKET ASSY, (VS2500)	0150	1
133	391-23-50-73977-101	BRACKET, (VS2500)	0150	1	
134	MS21047L06	ANCHOR NUT	0150	4	
135	MS24693B47	SCREW	0150	4	
136	MS21042-08	NUT	0150	4	
137	391-23-50-73977-105	COVER, (VS2500)	0150	1	
138	391-23-50-73977-107	COVER, (VS2500)	0150	1	
139	MS35206-226	SCREW	0150	4	
140	RP76416B	BRACKET	0150	1	
141	MS3470L18	RECEPTACLE	0150	1	
142	MS35206-215	SCREW	0150	4	
143	MS21042-04	SELF LOCKING NUT	0150	4	
144	MS5049-18N	GROMMET NUT	0150	4	
144	361-39-11-74195-101	A/R CIRCUIT BREAKER PANEL ASSY, (INSTRUMENTS ONLY). (VS2500)	0150	1	
146	361-39-11-74195-203	PANEL ASSY, (VS2500). FOR REFERENCE TO OTHER PANEL DETAILS, SEE NHA	0150	1	

MISSING ITEM NUMBERS ARE NOT APPLICABLE



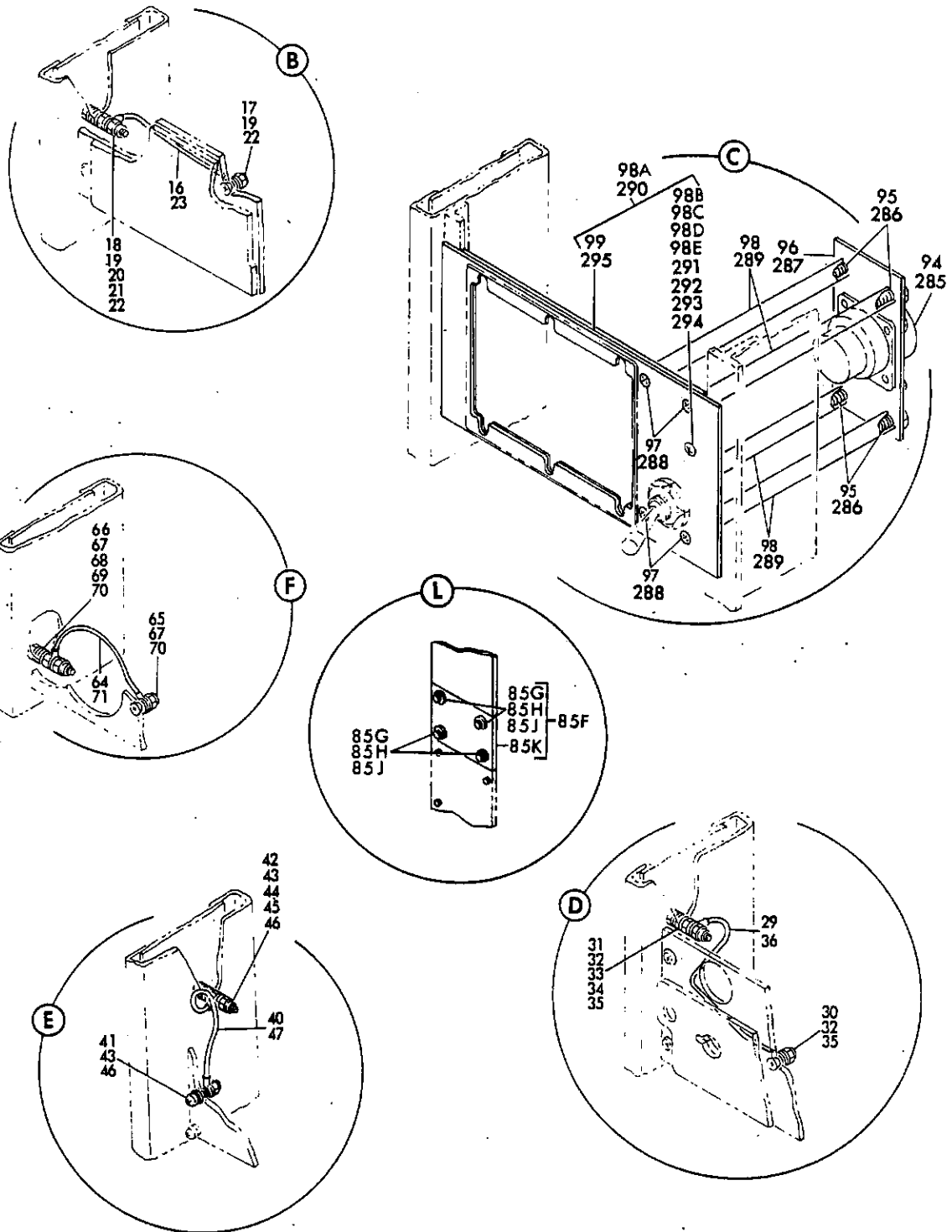
A 3102041 SHT 1 REV 262

FIGURE 41. PANEL INSTL, FLIGHT ENGINEERS AUXILIARY (INSTRUMENTS ONLY) (SHEET 1)

DETAILED PARTS LIST
31-02-41
PAGE 0

31-02-41

NOV 21/91



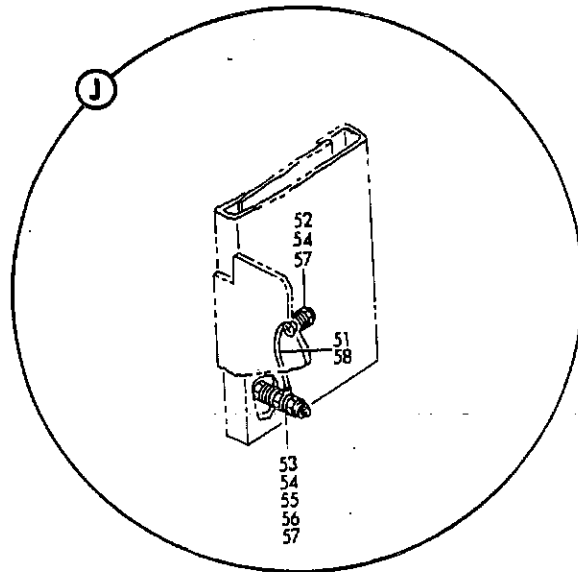
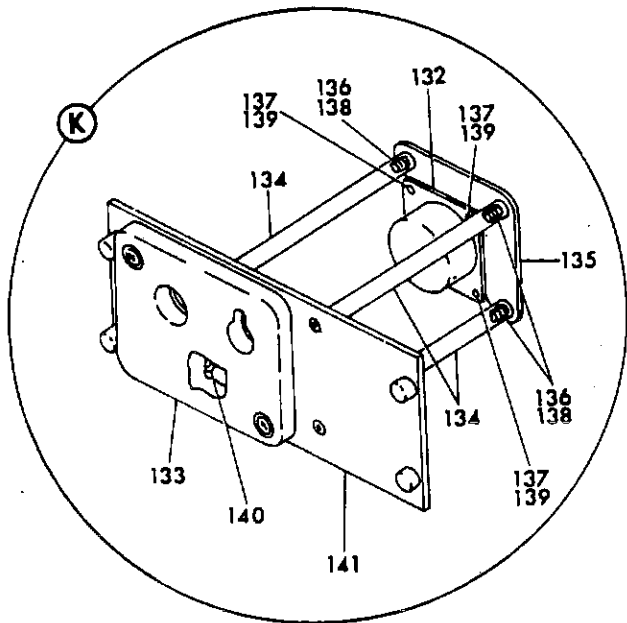
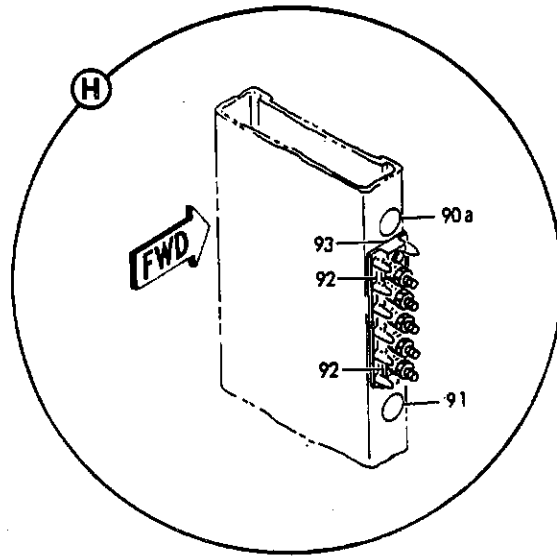
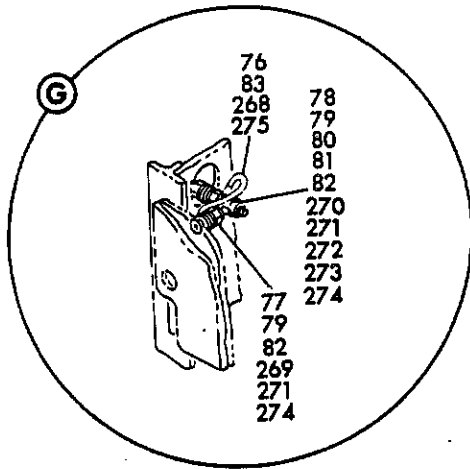
31-02-41 SMT 2 707-320 R259

FIGURE 41. PANEL INSTL, FLIGHT ENGINEERS AUXILIARY (INSTRUMENTS ONLY) (SHEET 2)

NOV 21/90

31-02-41

DETAILED PARTS LIST
 31-02-41
 PAGE 1



31-02-41 SHF 3 707-520 R 257

FIGURE 41. PANEL INSTL, FLIGHT ENGINEERS AUXILIARY (INSTRUMENTS ONLY) (SHEET 3)

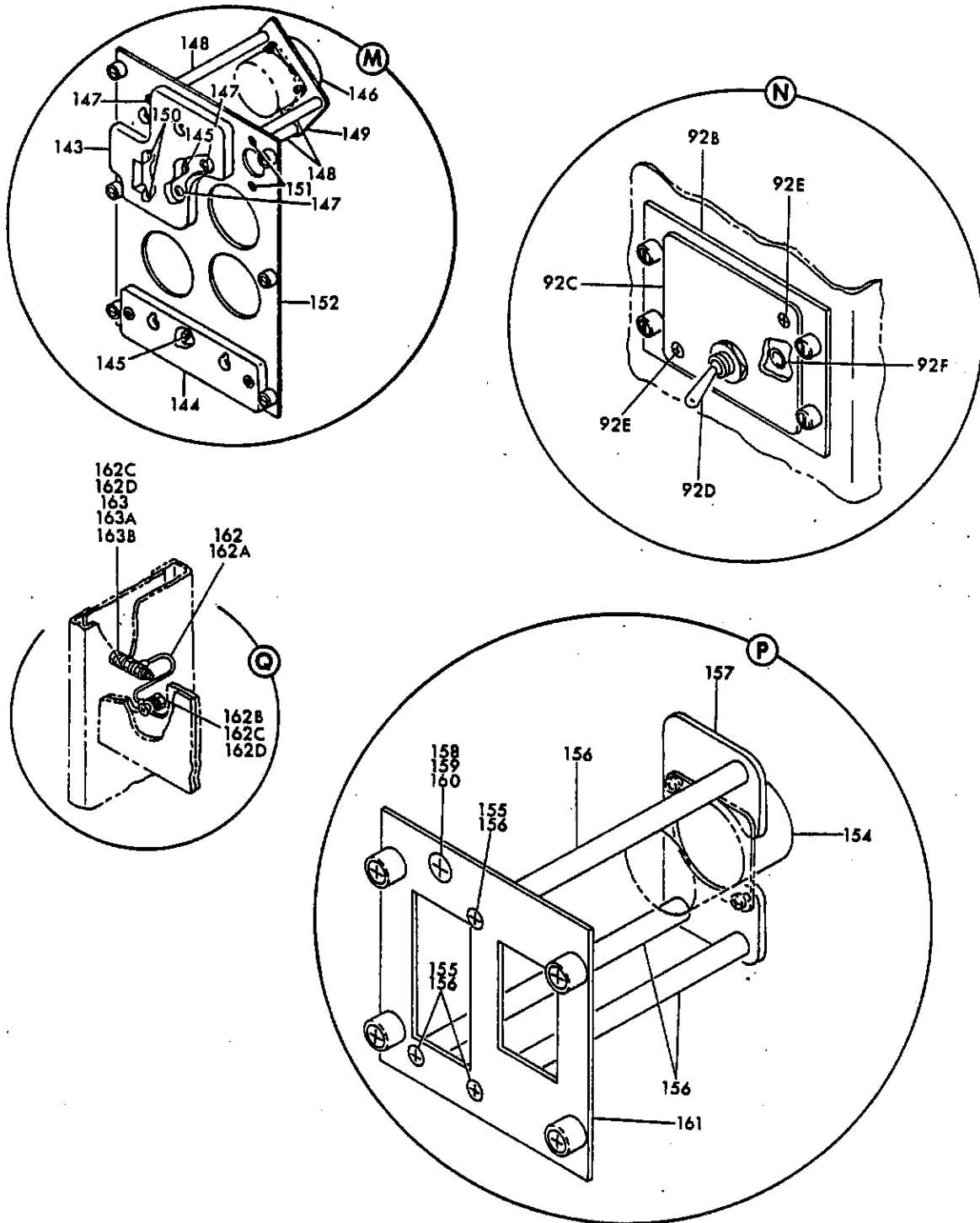


FIGURE 41. PANEL INSTL, FLIGHT ENGINEERS AUXILIARY (INSTRUMENTS ONLY) (SHEET 4)

NOV 21/90

31-02-41

DETAILED PARTS LIST
31-02-41
PAGE 3

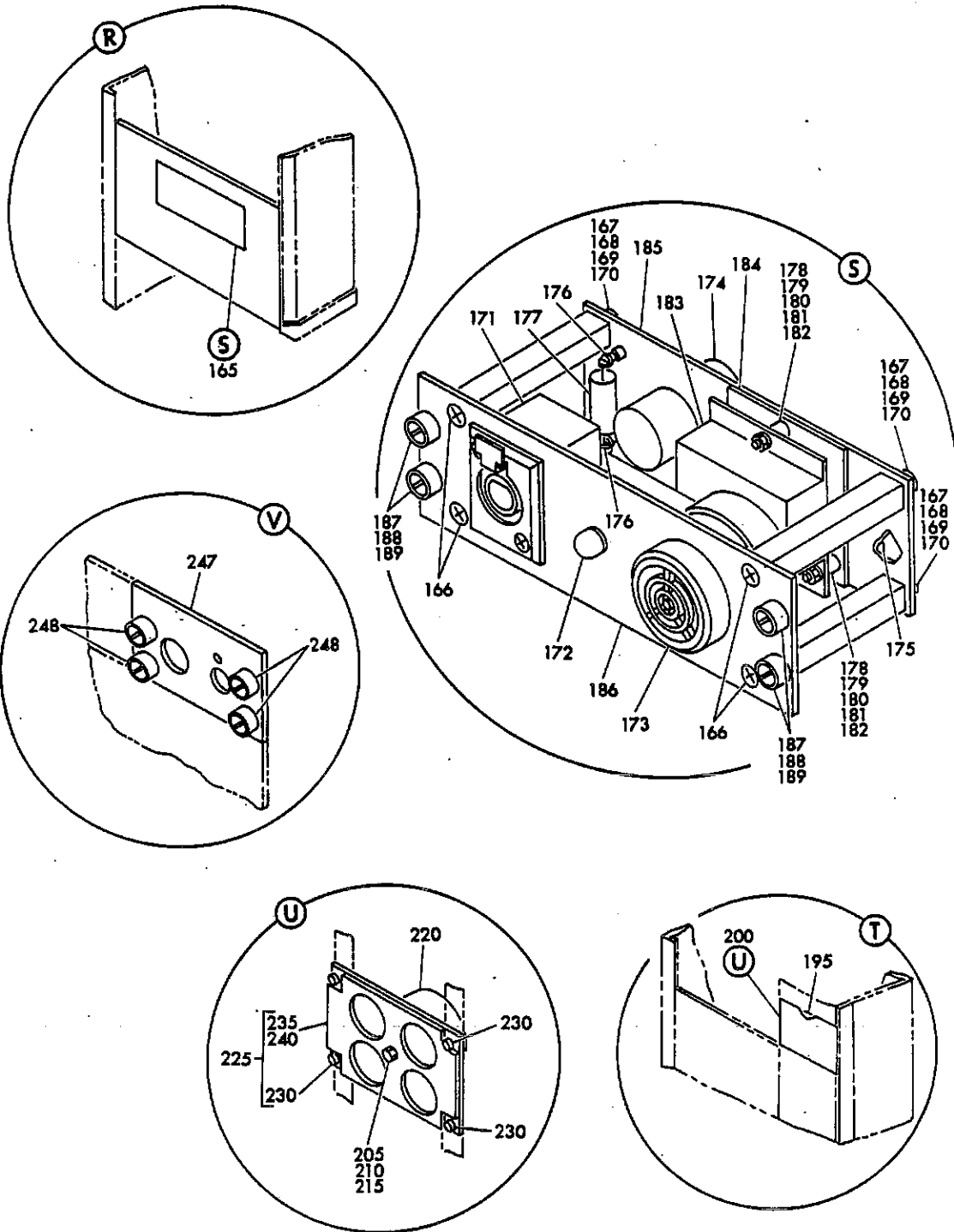
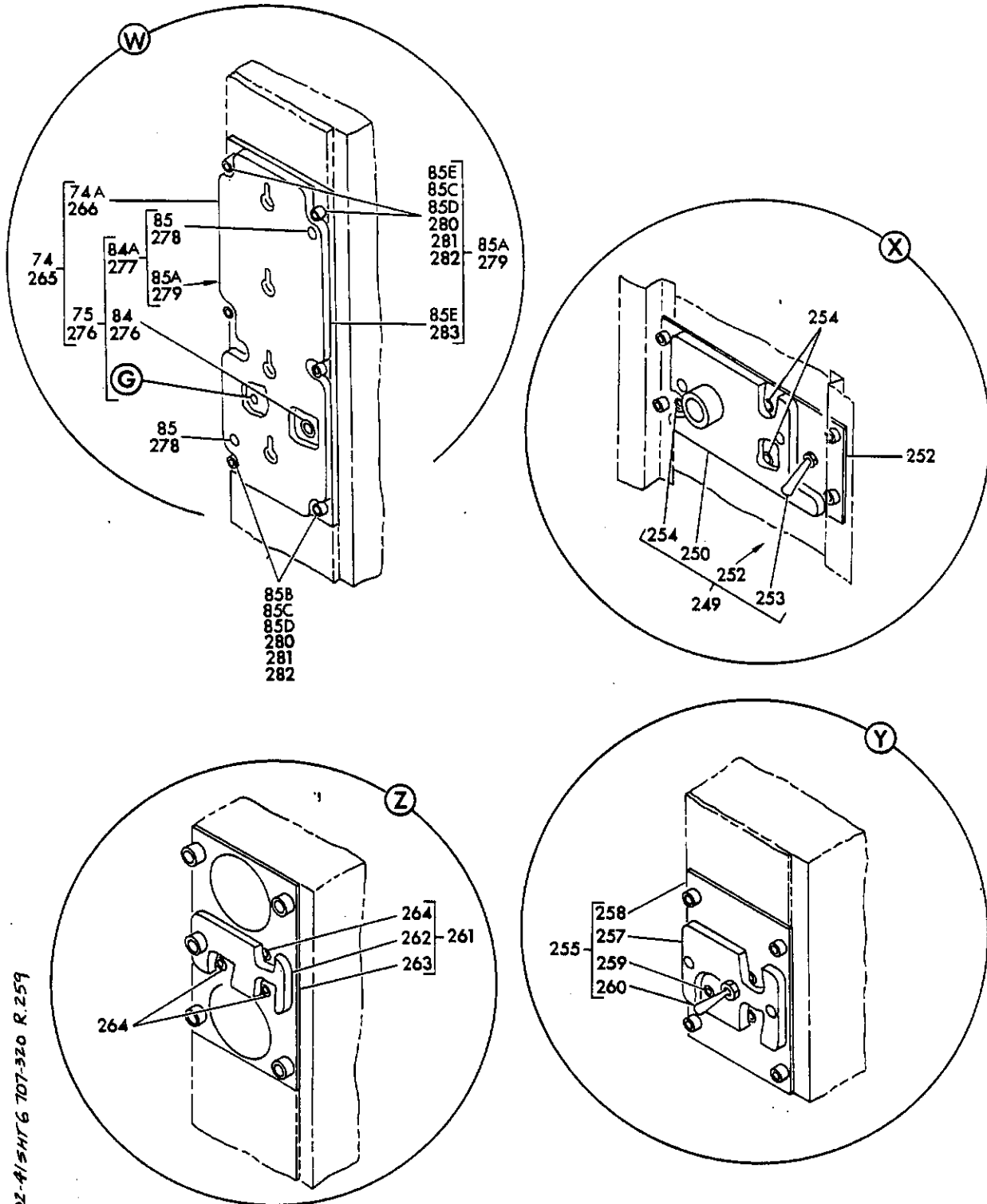
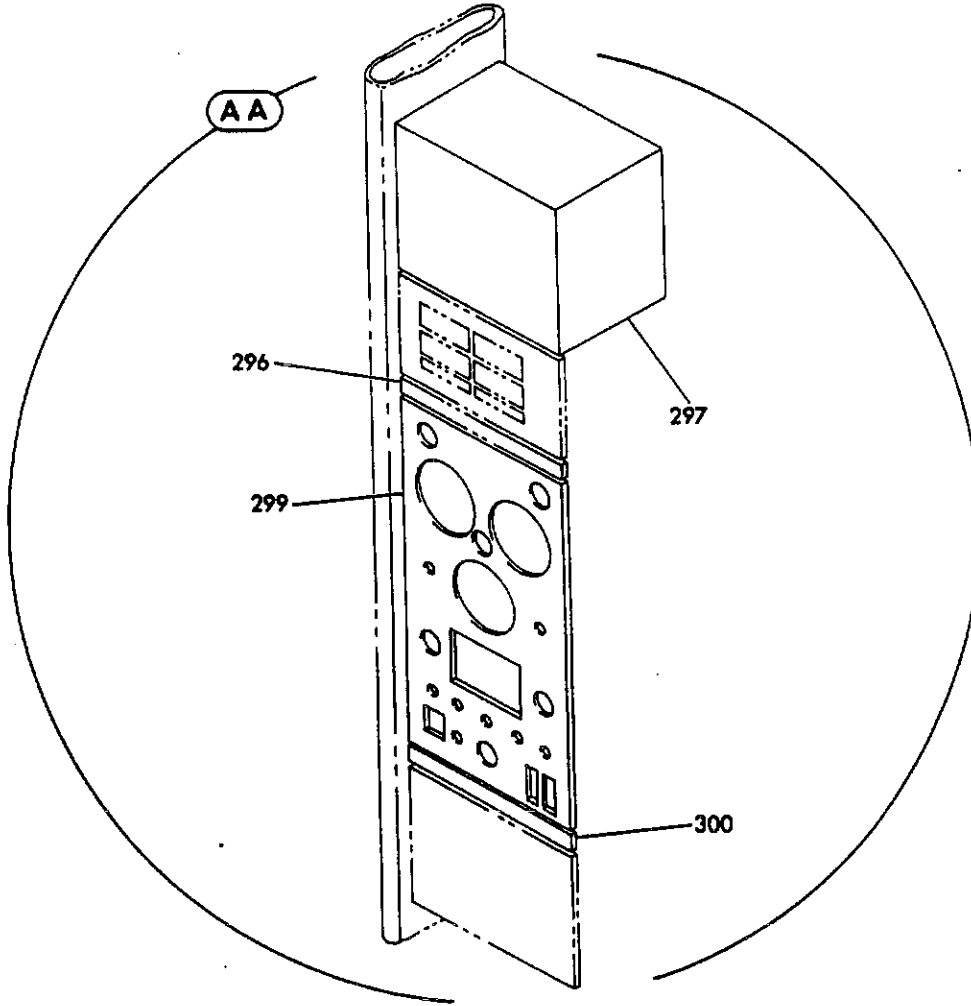


FIGURE 41. PANEL INSTL, FLIGHT ENGINEERS AUXILIARY (INSTRUMENTS ONLY) (SHEET 5)



31-02-41-SHT 6 707-320 R. 259

FIGURE 41. PANEL INSTL, FLIGHT ENGINEER AND AUXILIARY (INSTRUMENTS ONLY) (SHEET 6)



4 3102041 SHI 7 REV 262

FIGURE 41. PANEL INSTL. FLIGHT ENGINEERS AUXILIARY (INSTRUMENTS ONLY) (SHEET 7)



PARTS CATALOG

FIGURE & ITEM NO.	MANUFACTURER'S PART NUMBER	NOMENCLATURE							EFF FROM TO	UNITS PER ASSY	
		1	2	3	4	5	6	7			
R 41	45	MS20341-10	.	.	.	NUT	.	.	.	5199	1
R	46	NAS679A3W	.	.	.	NUT	.	.	.	5199	2
R	47	65-58741-4	.	.	.	SLEEVE	.	.	.	5199	1
R	48	66-13559-3	.	.	.	PANEL	.	.	.	5199	1
R		NAS603-6P	.	.	.	ATTACHING PARTS	.	.	.	5199	4
R		AN960D10L	.	.	.	SCREW	.	.	.	5199	4
R			.	.	.	WASHER	.	.	.	5199	4
R	48A	65-58958-35	.	.	.	MODULE INSTL, SERVICE INTERPHONE (INSTRUMENTS ONLY)	.	.	.	5199	1
R		NAS602-6P	.	.	.	ATTACHING PARTS	.	.	.	5199	3
R			.	.	.	SCREW	.	.	.	5199	3
R	49A	10-61437-535G	.	.	.	LIGHTPLATE ASSY, 5 VOLTS WHITE LIGHTED (SEE CHAPTER 33 FOR BREAKDOWN)	.	.	.	5199	1
R		SFSW6C5DG	.	.	.	ATTACHING PARTS	.	.	.	5199	2
R			.	.	.	SCREW, (V12324)	.	.	.	5199	2
R	50	65-58958-36	.	.	.	UNIT ASSY, (INSTRUMENTS ONLY)	.	.	.	5199	1
R		NAS602-6P	.	.	.	ATTACHING PARTS	.	.	.	5199	3
R			.	.	.	SCREW	.	.	.	5199	3
R	51	MS25083-2BB6	.	.	.	JUMPER ASSY	.	.	.	5199	1
R	52	NAS514P1032-10	.	.	.	ATTACHING PARTS	.	.	.	5199	1
R	53	BACS12CB3-10	.	.	.	SCREW	.	.	.	5199	1
R	54	AN960D10L	.	.	.	SCREW	.	.	.	5199	5
R	55	MS35338-43	.	.	.	WASHER	.	.	.	5199	1
R	56	MS20341-10	.	.	.	WASHER	.	.	.	5199	1
R	57	NAS679A3W	.	.	.	NUT	.	.	.	5199	2
R	58	65-58958-22	.	.	.	NUT	.	.	.	5199	1
R	59	SCN001	.	.	.	SLEEVE	.	.	.	5199	1
R	59A	65-58958-37	.	.	.	CONNECTOR, POWER (V26742)	.	.	.	5199	1
R	60	69-47135-1	.	.	.	PANEL ASSY	.	.	.	5199	1
R	61	BACN10PA06-6	.	.	.	BASEPLATE	.	.	.	5199	1
R	62	65-58958-41	.	.	.	NUT	.	.	.	5199	2
R	62A	10-61437-507G	.	.	.	MODULE INSTL, OXYGEN PRESSURE (INSTRUMENTS ONLY)	.	.	.	5199	1
R			.	.	.	LIGHTPLATE ASSY, 5 VOLTS WHITE LIGHTED (SEE CHAPTER 33 FOR BREAKDOWN)	.	.	.	5199	1
R		SFSW6C5DG	.	.	.	ATTACHING PARTS	.	.	.	5199	2
R			.	.	.	SCREW, (V12324)	.	.	.	5199	2
R	63	65-58958-42	.	.	.	UNIT ASSY, (INSTRUMENTS ONLY)	.	.	.	5199	1
R	64	MS25083-2BB6	.	.	.	JUMPER ASSY	.	.	.	5199	1
R	65	NAS514P1032-10	.	.	.	ATTACHING PARTS	.	.	.	5199	1
R	66	BACS12CB3-10	.	.	.	SCREW	.	.	.	5199	1
R	67	AN960D10L	.	.	.	SCREW	.	.	.	5199	5
R	68	MS35338-43	.	.	.	WASHER	.	.	.	5199	1
R	69	MS20341-10	.	.	.	WASHER	.	.	.	5199	1
R	70	NAS679A3W	.	.	.	NUT	.	.	.	5199	2
R	71	65-58958-22	.	.	.	NUT	.	.	.	5199	2
R	72	65-58958-43	.	.	.	SLEEVE	.	.	.	5199	1
R	73	BACN10PA06-6	.	.	.	PANEL ASSY, (ALTERED FROM BACP10U0262G)	.	.	.	5199	1
R	74	65-58958-10	.	.	.	NUT	.	.	.	5199	2
R	74A	SFSW6C5DG	.	.	.	MODULE INSTL, LIGHTING CONTROL (INSTRUMENTS ONLY)	.	.	.	5199	1
R	74A	10-61437-508G	.	.	.	SCREW, (V12324)	.	.	.	5199	2
R			.	.	.	LIGHTPLATE ASSY, 5 VOLTS WHITE LIGHTED (SEE CHAPTER 33 FOR BREAKDOWN)	.	.	.	5199	1
R		SFSW6C5DG	.	.	.	ATTACHING PARTS	.	.	.	5199	2
R			.	.	.	SCREW, (V12324)	.	.	.	5199	2
R	75	65-58958-11	.	.	.	UNIT ASSY, (INSTRUMENTS ONLY)	.	.	.	5199	1
R	76	MS25083-2BB6	.	.	.	JUMPER ASSY	.	.	.	5199	1
R	77	NAS514P1032-10	.	.	.	ATTACHING PARTS	.	.	.	5199	1
R	78	BACS12CB3-10	.	.	.	SCREW	.	.	.	5199	1
R	79	AN960D10L	.	.	.	SCREW	.	.	.	5199	5
R	80	MS35338-43	.	.	.	WASHER	.	.	.	5199	1
R	81	MS20341-10	.	.	.	WASHER	.	.	.	5199	1
R	82	NAS679A3W	.	.	.	NUT	.	.	.	5199	2
R	83	65-58958-22	.	.	.	NUT	.	.	.	5199	1
R	84	SCN001	.	.	.	SLEEVE	.	.	.	5199	1
			.	.	.	CONNECTOR POWER (V26742)	.	.	.	5199	1

MISSING ITEM NUMBERS ARE NOT APPLICABLE



PARTS CATALOG

FIGURE & ITEM NO.	MANUFACTURER'S PART NUMBER	NOMENCLATURE							EFF FROM TO	UNITS PER ASSY		
		1	2	3	4	5	6	7				
R	41	84	SCN001	.	.	.	CONNECTOR, POWER (V26742)	.	.	.	5199	1
R		84A	65-58958-12	.	.	.	PANEL ASSY.	.	.	.	5199	1
R		84A	65-58958-12	.	.	.	PANEL ASSY.	.	.	.	5199	1
R		85	BACN10PA06-6	.	.	.	NUT	.	.	.	5199	2
R		85A	69-47134-3	.	.	.	PANEL ASSY.	.	.	.	5199	1
R		85A	69-47134-3	.	.	.	PANEL ASSY.	.	.	.	5199	1
R		85B	BACS21F7-38	.	.	.	STUD.	.	.	.	5199	6
R		85B	BACS21F7-38	.	.	.	STUD.	.	.	.	5199	6
R		85C	BACS22B7	.	.	.	SPRING.	.	.	.	5199	6
R		85C	BACS22B7	.	.	.	SPRING.	.	.	.	5199	6
R		85D	BACC30F7	.	.	.	CUP	.	.	.	5199	6
R		85D	BACC30F7	.	.	.	CUP	.	.	.	5199	6
R		85E	69-47134-4	.	.	.	BASEPLATE	.	.	.	5199	1
R		85E	69-47134-4	.	.	.	BASEPLATE	.	.	.	5199	1
R		85F	69-47134-13	.	.	.	PANEL ASSY.	.	.	.	5199	1
R		85G	BACS21F7-38	.	.	.	STUD.	.	.	.	5199	4
R		85H	BACS22B7	.	.	.	SPRING.	.	.	.	5199	4
R		85J	BACC30F7	.	.	.	CUP	.	.	.	5199	4
R		85K	69-47134-14	.	.	.	BASEPLATE	.	.	.	5199	1
R		90A	BACM10N00-2AAV	.	.	.	MARKER, 5 ALUMINUM FOIL	.	.	.	5199	1
R		91	BACM10N00-2PP	.	.	.	MARKER, 1 ALUMINUM FOIL	.	.	.	5199	1
R		92	MS25227-3A	.	.	.	STRIP	.	.	.	5199	2
R			NAS679A3W	.	.	.	ATTACHING PARTS	.	.	.		
R				.	.	.	NUT	.	.	.	5199	5
R		93	MS27212-2-5	.	.	.	TERMINAL BOARD ASSY	.	.	.	5199	1
R			NAS600-6P	.	.	.	ATTACHING PARTS	.	.	.		
R			NAS679A04W	.	.	.	SCREW	.	.	.	5199	2
R				.	.	.	NUT	.	.	.	5199	2
R		93A	69-46160-10	.	.	.	MODULE ASSY, M456 DOOR WARNING ANNUNCIATOR.	.	.	.	5199	1
R				.	.	.	(INSTRUMENTS ONLY)	.	.	.		
R		94	BACC45FN14-15P	.	.	.	CONNECTOR, ELECTRICAL	.	.	.	5199	1
R			BACS12CB04-5	.	.	.	ATTACHING PARTS	.	.	.		
R			BACN10NW1	.	.	.	SCREW	.	.	.	5199	4
R				.	.	.	NUT	.	.	.	5199	4
R		95	BACS12CB06-5	.	.	.	SCREW	.	.	.	5199	4
R		96	69-46161-1	.	.	.	BRACKET, ELECTRICAL RECEPTACLE SUPPORT.	.	.	.	5199	1
R		97	NAS514P632-5	.	.	.	SCREW	.	.	.	5199	4
R		98	66-13524-5	.	.	.	SPACER, ELECTRICAL RECEPTACLE	.	.	.	5199	4
R		98A	69-46160-5	.	.	.	PANEL ASSY, (INSTRUMENTS ONLY)	.	.	.	5199	1
R		98B	NAS514P1032-10	.	.	.	SCREW	.	.	.	5199	1
R		98C	AN960D10	.	.	.	WASHER.	.	.	.	5199	1
R		98D	MS20341-10	.	.	.	NUT	.	.	.	5199	1
R		98E	NAS679A3W	.	.	.	NUT	.	.	.	5199	1
R		99	69-46160-2	.	.	.	BASEPLATE	.	.	.	5199	1
R		106A	BACP10U0412G	.	.	.	PANEL ASSY.	.	.	.	5199	1
R		107	BACP10U0862G	.	.	.	PANEL ASSY.	.	.	.	5199	1
				.	.	.	FOR REFERENCE TO OTHER PANEL DETAIL, SEE NHA.	.	.	.	5199	

MISSING ITEM NUMBERS ARE NOT APPLICABLE

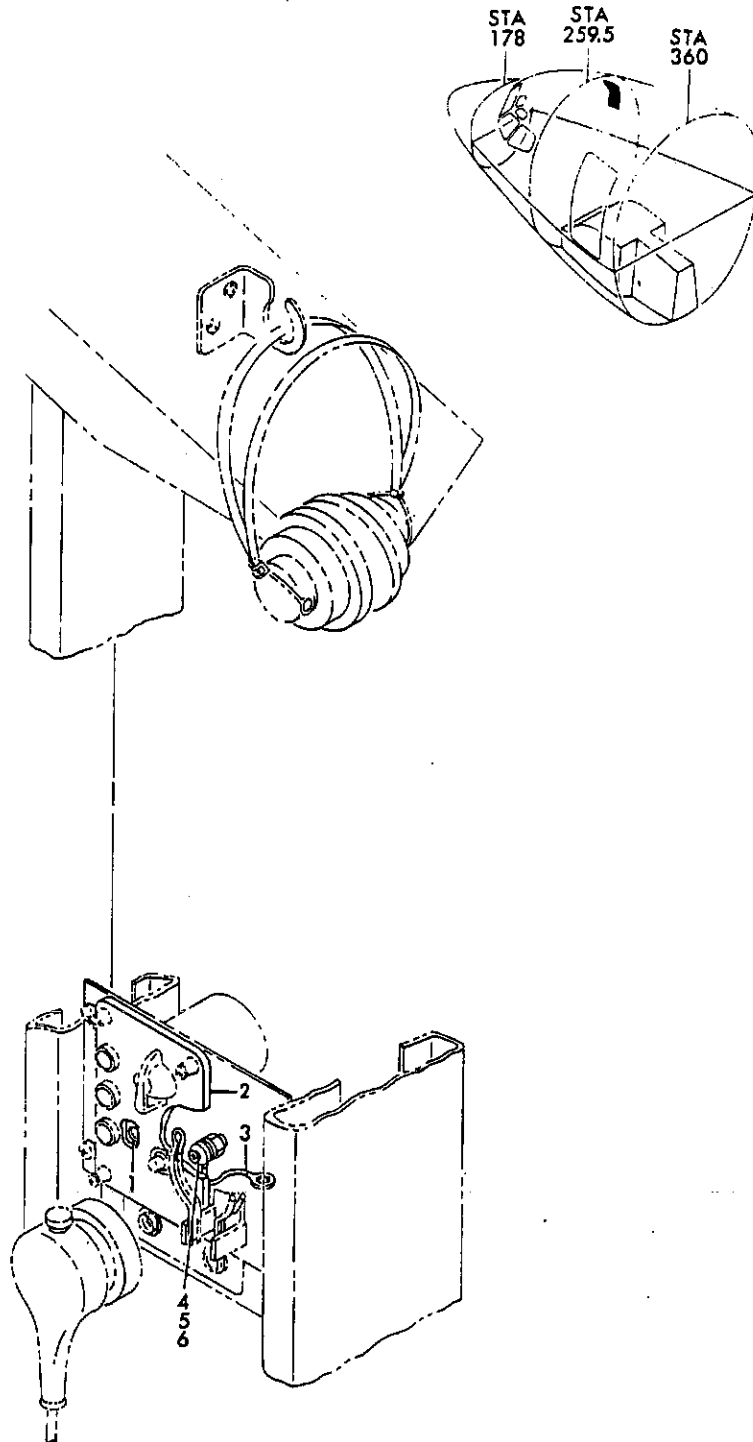


FIGURE 54. INTERPHONE INSTL, FLIGHT ENGINEERS (INSTRUMENTS ONLY)



PARTS CATALOG

FIGURE & ITEM NO.	MANUFACTURER'S PART NUMBER	NOMENCLATURE							EFF FROM TO	UNITS PER ASSY		
		1	2	3	4	5	6	7				
R R R R R R R R R R R R	54	65-12201	INTERPHONE INSTL, FLIGHT ENGINEERS (INSTRUMENTS ONLY) .							0150	RF	
			(SEE 25-1, FIG. 1D, ITEM 112, 25-1, FIG. 1J, ITEM 106 AND 25-1, FIG. 1K, ITEM 101)									
		1	SCN001	. CONNECTOR, POWER (V26742)							0150	1
				(OPTIONAL 107A (V04211))								
		1	107A	. CONNECTOR, POWER (V04211)							0150	1
				(OPTIONAL TO SCN001 (V26742))								
		2	10-60424-2285	. LIGHTPLATE ASSY, DETACHABLE CIRCUIT (SEE CHAPTER 33 .							0150	1
				FOR BREAKDOWN)								
				ATTACHING PARTS								
			AN515B6R5	. SCREW							0150	4
			AN960D6	. WASHER.							0150	4
			BACW10AJ1	. WASHER.							0150	4
		3	MS25083-2B86	. JUMPER ASSY							0150	1
			ATTACHING PARTS									
	4	NAS514P832-8	. SCREW							0150	1	
	5	AN960D8	. WASHER.							0150	2	
	6	NAS679A08W	. NUT							0150	1	
			. FOR REFERENCE TO OTHER INTERPHONE DETAILS, SEE NHA. .							0150		

MISSING ITEM NUMBERS ARE NOT APPLICABLE

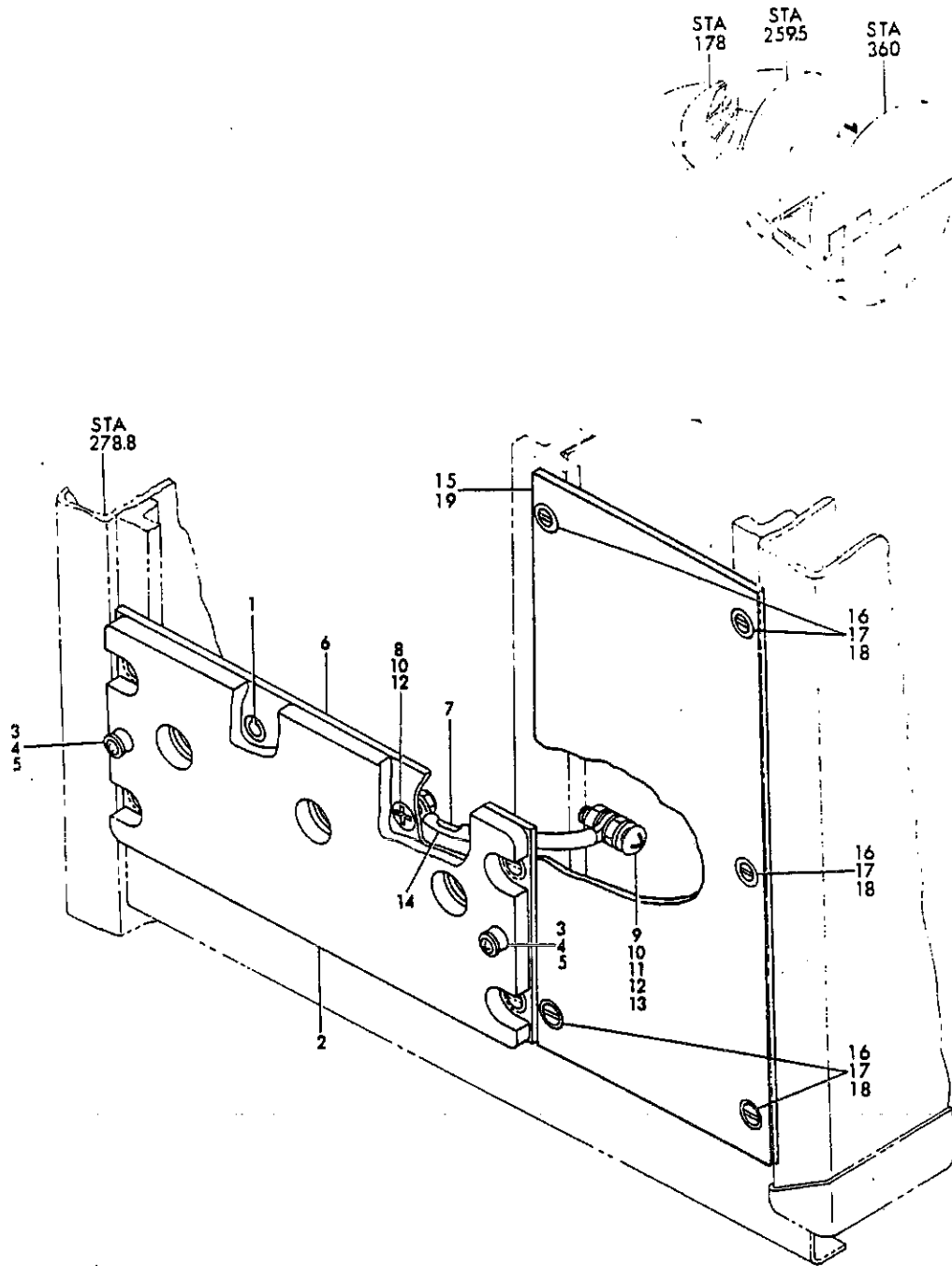


FIGURE 57. INTERPHONE INSTL, FLIGHT ENGINEER (INSTRUMENTS ONLY)



PARTS CATALOG

FIGURE & ITEM NO.	MANUFACTURER'S PART NUMBER	1 2 3 4 5 6 7 NOMENCLATURE	EFF FROM TO	UNITS PER ASSY
57	65-65444-1	INTERPHONE INSTL, FLIGHT ENGINEER (INSTRUMENTS ONLY). (VARIABLE DWG 65-65444-5013) (SEE 25-1, FIG. 2E, ITEM 78)	5199	RF
15	69-53178-7	. PANEL ASSY. FOR REFERENCE TO OTHER INTERPHONE DETAILS, SEE NHA. .	5199 5199	1

MISSING ITEM NUMBERS ARE NOT APPLICABLE

BOEING
Intercontinental
707 
PARTS CATALOG

SECTION 03
PILOTS OVERHEAD PANEL

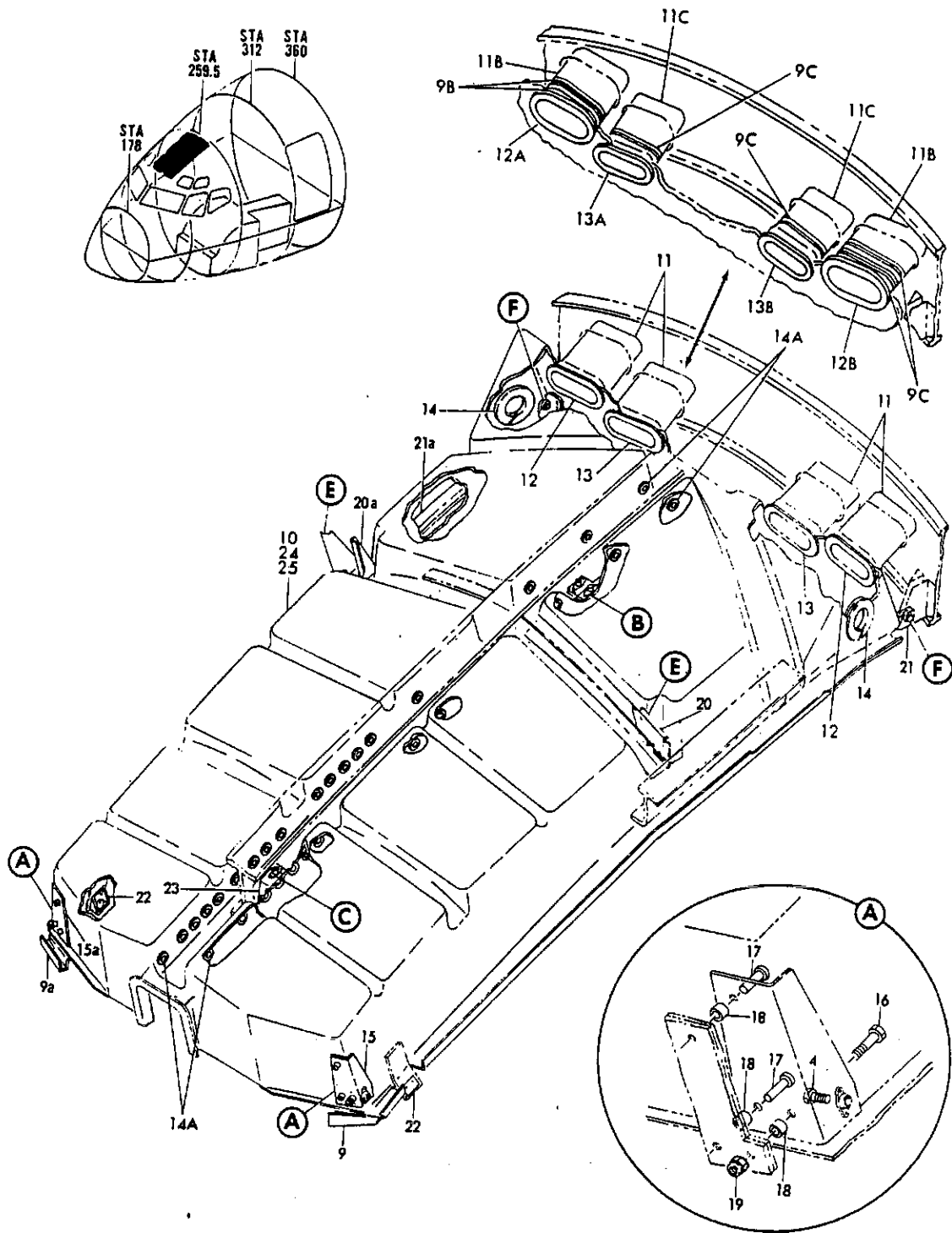


FIGURE 1A. SUPPORT INSTL. OVERHEAD AND CIRCUIT BREAKER PANEL (SHEET 1)

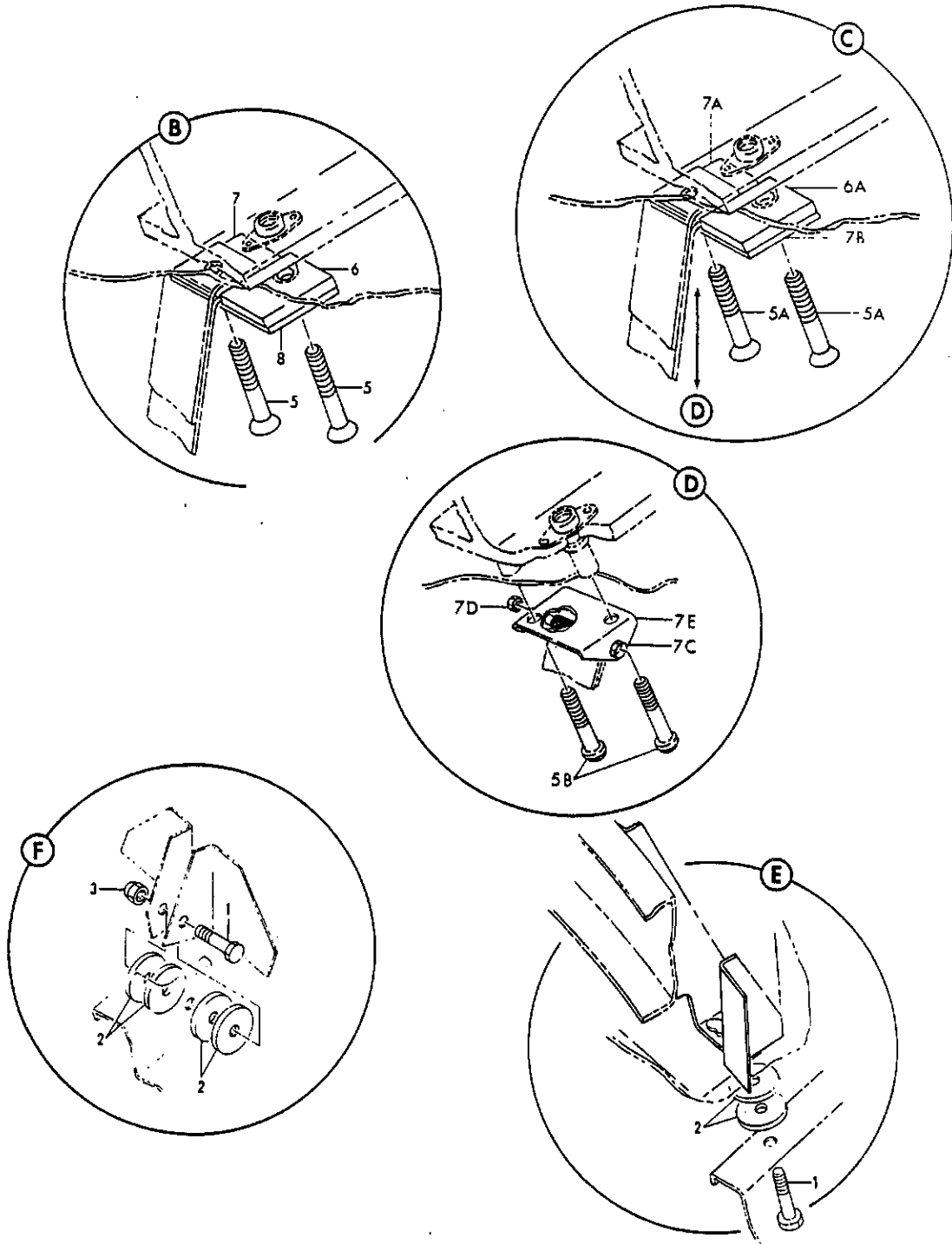


FIGURE 1A. SUPPORT INSTL., OVERHEAD AND CIRCUIT BREAKER PANEL (SHEET 2)

BOEING *Intercontinental*

PARTS CATALOG

FIGURE & ITEM NO.	MANUFACTURER'S PART NUMBER	NOMENCLATURE	EFF FROM TO	UNITS PER ASSY
		1 2 3 4 5 6 7		
1A	65-58787-1	SUPPORT INSTL, OVERHEAD AND CIRCUIT BREAKER PANEL (SEE 25-1, FIG. 1B, ITEM 18, 25-1, FIG. 1C, ITEM 17, 25-1, FIG. 1D, ITEM 17, 25-1, FIG. 1E, ITEM 15, 25-1, FIG. 1F, ITEM 12, 25-1, FIG. 1G, ITEM 16, 25-1, FIG. 1H, ITEM 14, 25-1, FIG. 1J, ITEM 14, 25-1, FIG. 1K, ITEM 10, 25-1, FIG. 2B, ITEM 13, 25-1, FIG. 2C, ITEM 14, 25-1, FIG. 2D, ITEM 10, 25-1, FIG. 2E, ITEM 3 AND 25-1, FIG. 2J, ITEM 31)		RF
	1 AN4-10A	. BOLT.		4
	2 BACW10J4	. WASHER.		12
	3 NAS679A4W	. NUT		2
	4 AN4-4A	. BOLT.		2
	5 NAS514P1032-22	. SCREW		2
	5A NAS514P1032-22	. SCREW		2
	6 50-10804-12	. FILLER.		1
	6A 50-10804-12	. FILLER.		1
	7 50-10804-13	. FILLER.		1
	7A 50-10804-13	. FILLER.		1
	7B 50-10804-11	. RETAINER, STRAP		1
	8 50-10804-11	. RETAINER, STRAP		1
	65-58787-7	. SUPPORT ASSY.	0150	1
	65-58787-8	. SUPPORT ASSY.	5199	1
	9 69-3941-1	. GUTTER INSTL, CONTROL CAB DRAIN (LH).		1
	9A 69-3941-2	. GUTTER INSTL, CONTROL CAB DRAIN (RH).		1
	10 65-58748-1	. LINER		1
	11 65-58787-3	. SLEEVE.		4
	12 69-1610-5	. RING, INSTRUMENT FLANGED.		2
	13 69-1610-7	. RING, INSTRUMENT FLANGED.		2
	14 NAS557-368	. GROMMET		2
	15 90-9491-3	. BRACKET ASSY, INSTRUMENT (LH) (OPTIONAL TO 66-15759-1)		1
	15 66-15759-1	. BRACKET ASSY, INSTRUMENT (LH) (OPTIONAL 90-9491-3)		1
	15A 90-9491-4	. BRACKET ASSY, INSTRUMENT (RH) (OPTIONAL TO 66-15759-2)		1
	15A 66-15759-2	. BRACKET ASSY, INSTRUMENT (RH) (OPTIONAL 90-9491-4)		1
		ATTACHING PARTS		
	16 NAS1104-11	. BOLT.		1
	17 MS20470D8	. RIVET		2
	18 NAS42DD8-16	. SPACER, (USED WITH 66-15759-1, -2).		3
	19 NAS679A4W	. NUT		1

	20 69-45922-1	. BRACKET ASSY, INSTRUMENT (LH)		1
	20A 69-45922-2	. BRACKET ASSY, INSTRUMENT (RH)		1
	AN4-10A	. BOLT.		2
	BACW10J-4	. WASHER.		4
	21 65-59501-9	. BEAM ASSY (LH).	5199	1
	21 65-59501-11	. BEAM ASSY (LH).	0150	1
	21A 65-59501-10	. BEAM ASSY, (RH)	5199	1
	21A 65-59501-12	. BEAM ASSY, (RH)	0150	1
	23 69-46162-1	. STRAP, STOP	0150	1

MISSING ITEM NUMBERS ARE NOT APPLICABLE

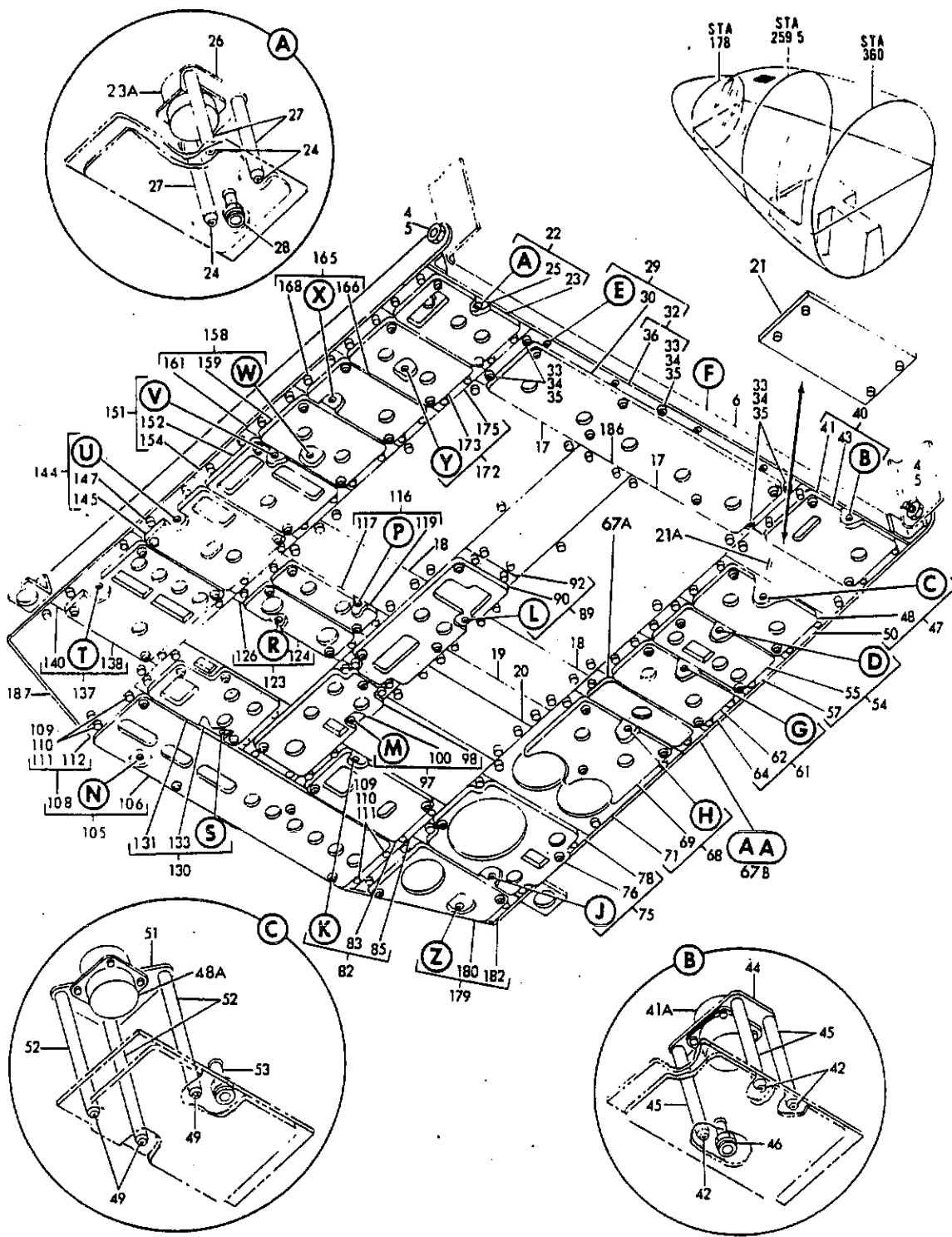


FIGURE 31. MODULE INSTL, P13 PILOTS OVERHEAD (INSTRUMENTS ONLY) (SHEET 1)

INTERIM AMENDMENT NO 47

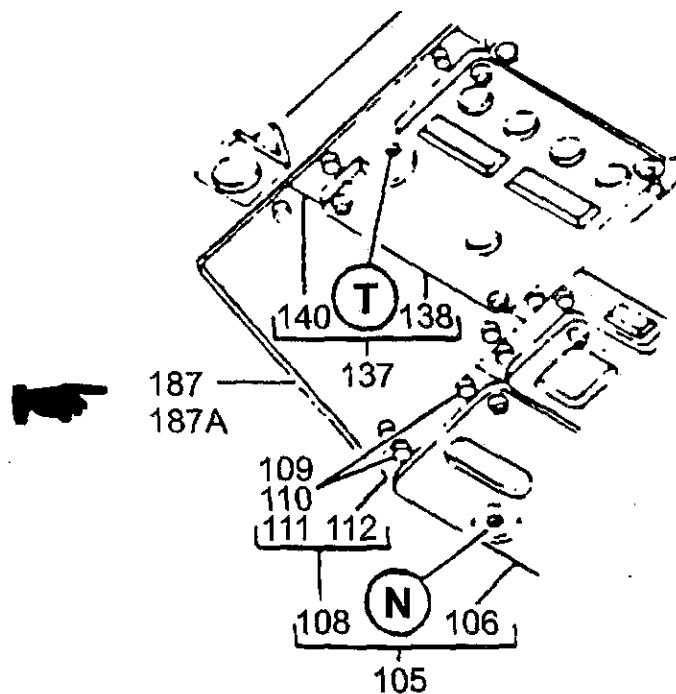
OVERHEAD PANEL

Introduction

1. This Interim Amendment provides details of changes to the Overhead Panel following incorporation of Modification 7211.019-301, Installation of Crash Position Indicator. This INAM is to be inserted into DI(AF) AAP 7211.019-4B6, 31-03-31 facing page 0.

Variation

2. The following figure details the changes to the forward lower left corner of the panel and is to be read in conjunction with Figure 31.

**Reference:**

- A. 503WG 2501/1/ECP/208/TECH Pt2
- B. IRN 1108/97

Date of Issue:

26 Oct 00

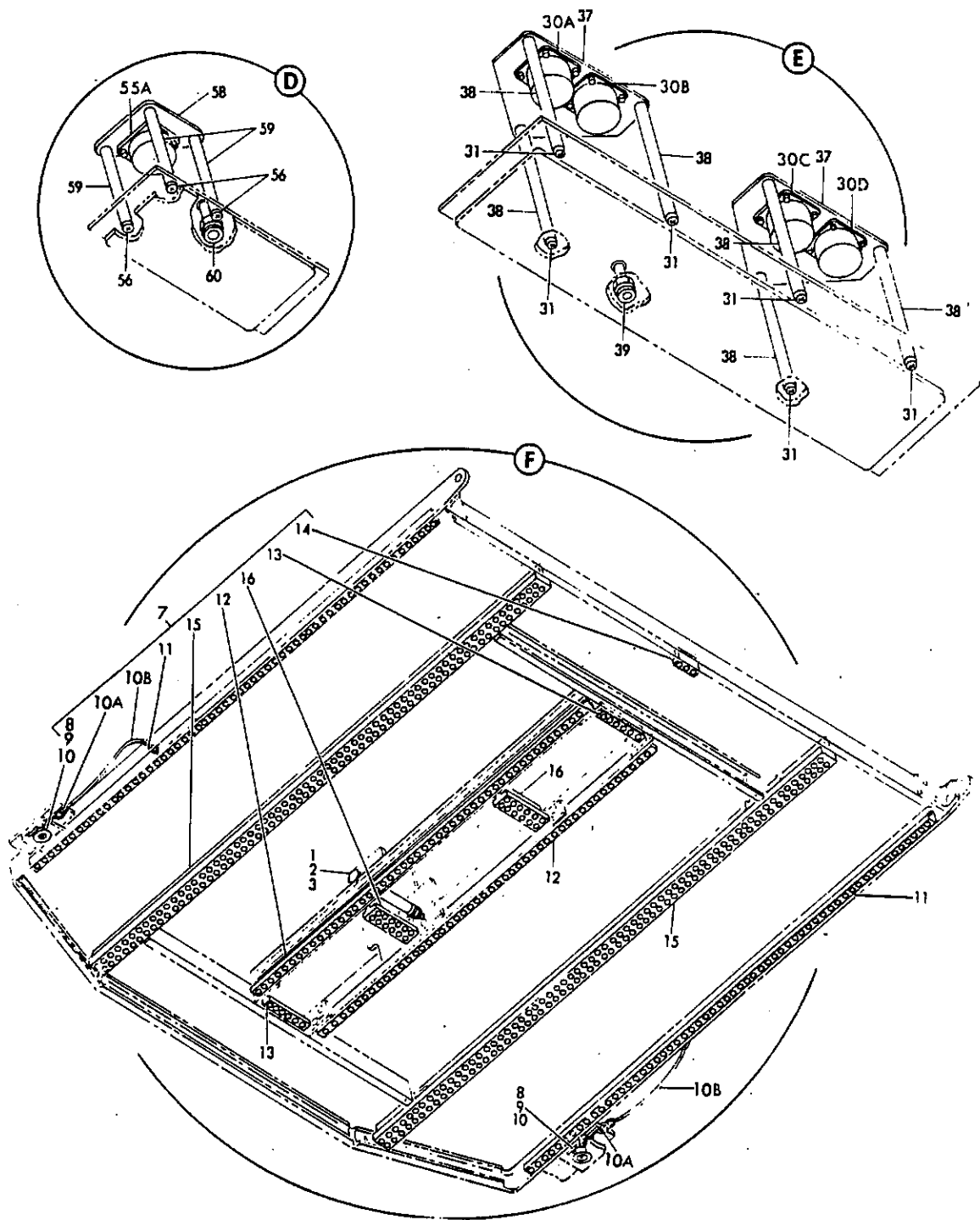


FIGURE 31. MODULE INSTL, P13 PILOTS OVERHEAD (INSTRUMENTS ONLY) (SHEET 2)

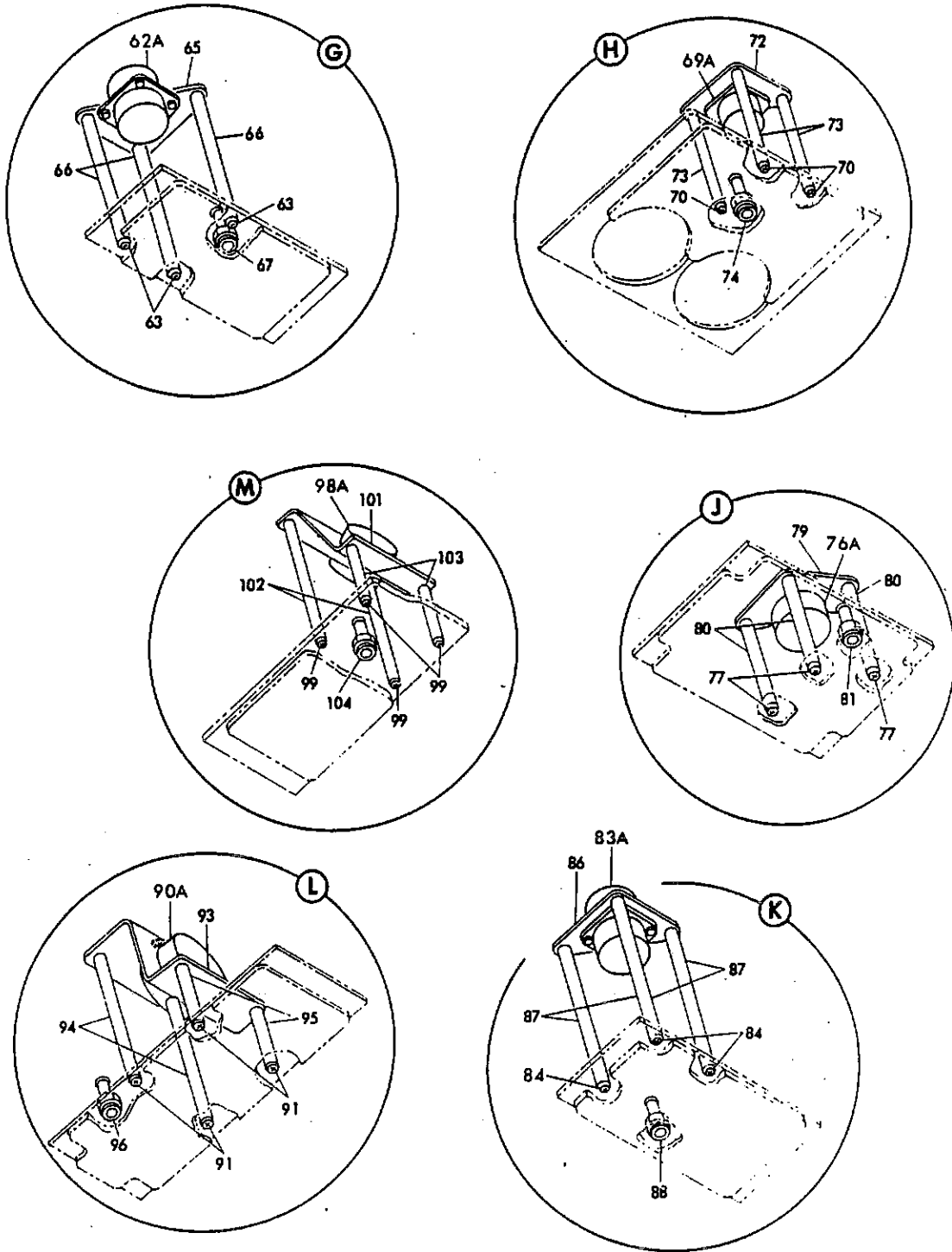


FIGURE 31. MODULE INSTL, P13 PILOTS OVERHEAD (INSTRUMENTS ONLY) (SHEET 3)

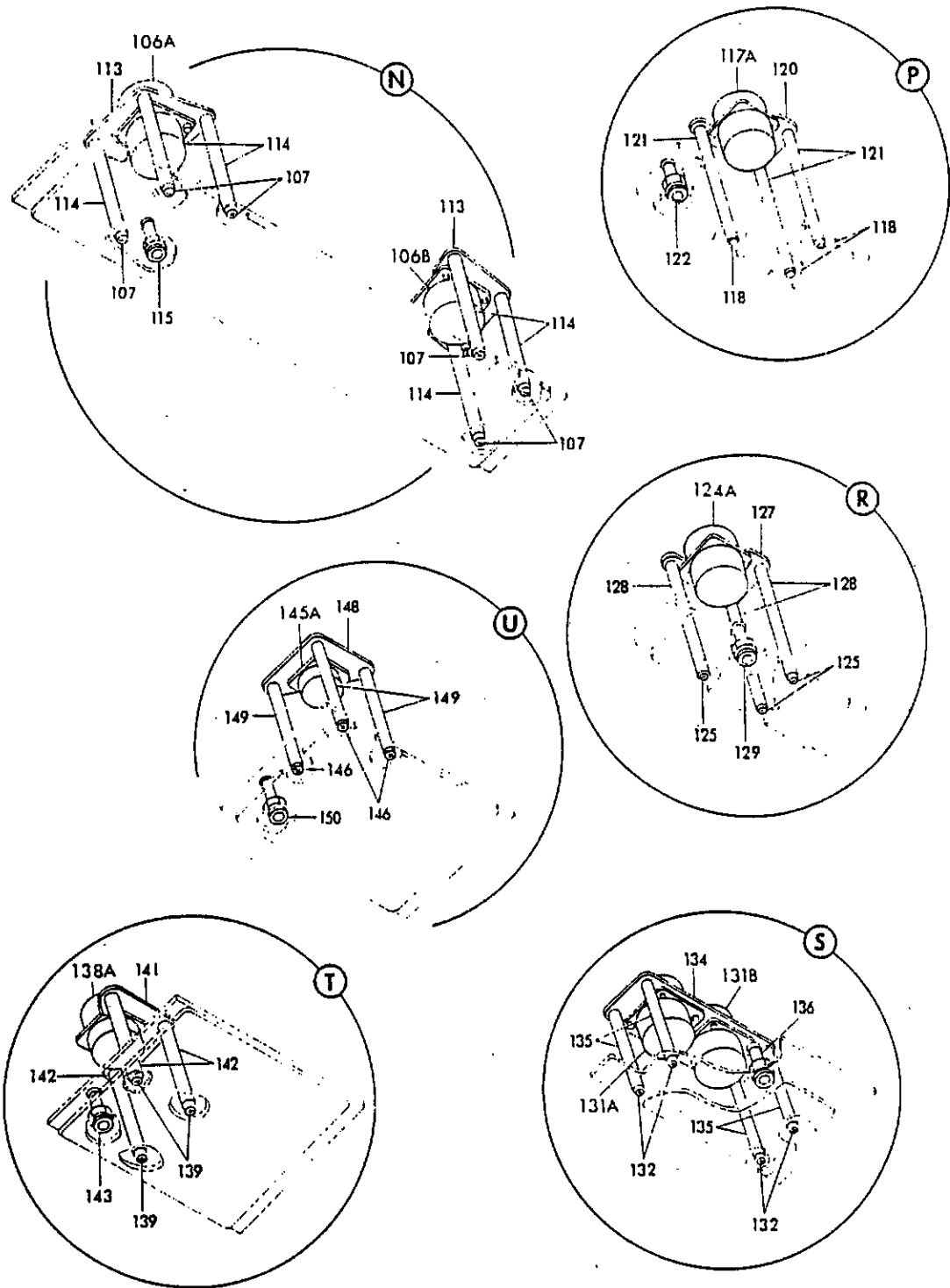


FIGURE 31. MODULE INSTL, P13 PILOT'S OVERHEAD (INSTRUMENTS ONLY) (SHEET 4)

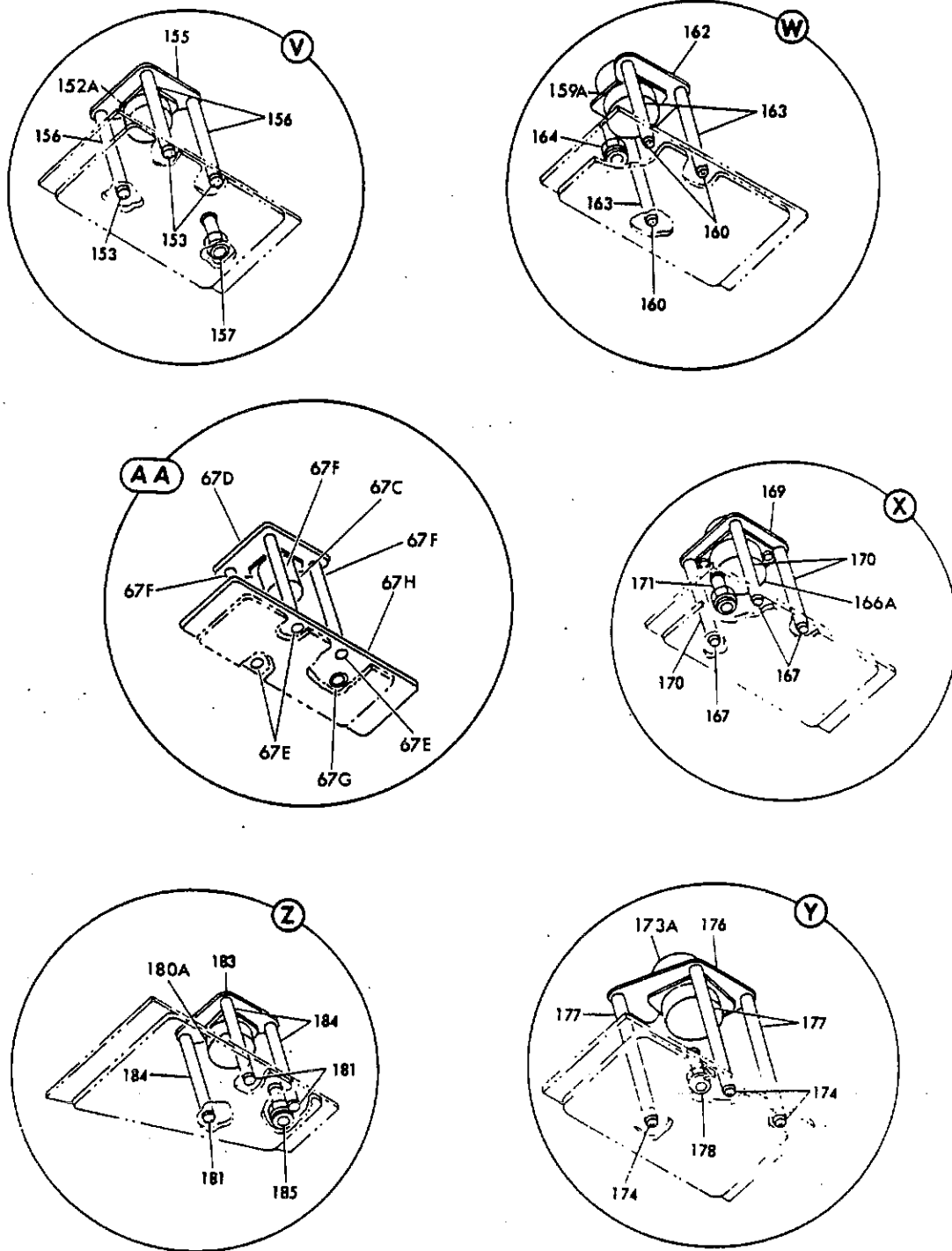


FIGURE 31. MODULE INSTL, P13 PILOTS OVERHEAD (INSTRUMENTS ONLY) (SHEET 5)

BOEING

707
PARTS CATALOG (MAINTENANCE)

FIGURE & ITEM NO.	MANUFACTURER'S PART NUMBER	1 2 3 4 5 6 7	NOMENCLATURE	EFF FROM TO	UNITS PER ASSY
31 29	65-64865-1	.	MODULE ASSY, P13J ENGINE START (INSTRUMENTS ONLY)	0450	1
		.	(REWORKED BY SB 2875)		
30	10-61437-244G	.	LIGHTPLATE ASSY, WHITE LIGHTED 5 VOLTS (SEE CHAPTER 33 FOR BREAKDOWN)	0150	1
		.	ATTACHING PARTS		
	SFSW6C5DB	.	SCREW, (V12324)	0150	5
	BACN10PA06-12	.	NUT	0150	5
30A	BACC45FN18-14P	.	CONNECTOR	0150	1
30B	BACC45FN18-14P6	.	CONNECTOR	0150	1
30C	BACC45FN18-14P7	.	CONNECTOR	0150	1
30D	BACC45FN18-14P8	.	CONNECTOR	0150	1
		.	ATTACHING PARTS		
	BACS12CB04-5	.	SCREW	0150	16
	BACN10NW1	.	NUT	0150	16
31	NAS514P632-5	.	SCREW	0150	6
32	65-64865-2	.	BASEPLATE ASSY.	0150	1
33	PC3 1-2X547-12	.	CUP, (V72794)	0150	5
34	PF3 1-2-44X545	.	STUD, (V72794)	0150	5
35	BACS2287	.	SPRING	0150	5
36	65-64865-4	.	BASEPLATE	0150	1
37	69-46165-4	.	PLATE, ELECTRICAL RECEPTACLE SUPPORT.	0150	2
		.	ATTACHING PARTS		
	BACS12CB06-5	.	SCREW	0150	6
	MS35337-41	.	WASHER	0150	6
38	66-13524-5	.	SPACER	0150	6
39	SCN001	.	CONNECTOR, POWER (V26742)	0150	1
40	69-46122-5	.	MODULE ASSY, P13S LIGHT OVERRIDE AND COMPASS DIMMER (INSTRUMENTS ONLY)	0150	1
41	10-61437-216G	.	LIGHTPLATE ASSY, WHITE LIGHTED 5 VOLTS (SEE CHAPTER 33 FOR BREAKDOWN)	0150	1
		.	ATTACHING PARTS		
	SFSW6C5DB	.	SCREW, (V12324)	0150	2
	BACN10PA06-6	.	NUT	0150	2
41A	BACC45FN18-31P9	.	CONNECTOR	0150	1
		.	ATTACHING PARTS		
	BACS12CB04-5	.	SCREW	0150	3
	BACN10NW1	.	NUT	0150	3
42	NAS514P632-5	.	SCREW	0150	3
43	69-46122-2	.	BASEPLATE, (ALTERED FROM BACP10U0262G)	0150	1
44	69-46129-1	.	PLATE, ELECTRICAL RECEPTACLE SUPPORT.	0150	1
		.	ATTACHING PARTS		
	BACS12CB06-5	.	SCREW	0150	3
	MS35337-41	.	WASHER	0150	3
45	66-13524-2	.	SPACER	0150	3
46	SCN001	.	CONNECTOR, POWER (V26742)	0150	1
		.	(OPTIONAL 138-102 (V26742))		
46	138-102	.	CONNECTOR, POWER (V26742)	0150	1
		.	(OPTIONAL TO SCN001 (V26742))		
47	69-52343-1	.	MODULE ASSY, P13AD LIGHTING CONTROLS (INSTRUMENTS ONLY)	0150	1
48	10-61437-247G	.	LIGHTPLATE ASSY, WHITE LIGHTED 5 VOLTS (SEE CHAPTER 33 FOR BREAKDOWN)	0150	1
		.	ATTACHING PARTS		
	SFSW6C5DB	.	SCREW, (V12324)	0150	2
	BACN10PA06-6	.	NUT	0150	2
48A	BACC45FN18-14P	.	CONNECTOR	0150	1
		.	ATTACHING PARTS		
	BACS12CB04-5	.	SCREW	0150	3
	BACN10NW1	.	NUT	0150	3
49	NAS514P632-5	.	SCREW	0150	3
50	69-52343-2	.	BASEPLATE, (ALTERED FROM BACP10U-0262G)	0150	1
51	66-13643-2	.	PLATE, ELECTRICAL RECEPTACLE SUPPORT.	0150	1
		.	ATTACHING PARTS		
	BACS12CB06-5	.	SCREW	0150	3
	MS35337-41	.	WASHER	0150	3

MISSING ITEM NUMBERS ARE NOT APPLICABLE

BOEING

707

PARTS CATALOG (MAINTENANCE)

FIGURE & ITEM NO.	MANUFACTURER'S PART NUMBER	NOMENCLATURE	EFF	UNITS
			FROM TO	PER ASSY
31 52	66-13524-5	.. SPACER.	0150	3
	SCN001	.. CONNECTOR, POWER (V26742)	0150	1
53	69-46123-4	.. MODULE ASSY, P13T Q-INLET (INSTRUMENTS ONLY).	0150	1
54	10-61437-242G	.. LIGHTPLATE ASSY, WHITE LIGHTED 5 VOLTS (SEE CHAPTER 33 FOR BREAKDOWN)	0150	1
55A	SFSW6C5DB	.. ATTACHING PARTS	0150	2
	BACN10PA06-6	.. SCREW, (V12324)	0150	2
55A	BACC45FN14-15P6	.. NUT	0150	2
	BACS12CB04-5	.. CONNECTOR	0150	1
56	BACN10NW1	.. ATTACHING PARTS	0150	3
	NAS514P632-5	.. SCREW	0150	3
57	69-46123-5	.. BASEPLATE, (ALTERED FROM BACP10U0225G).	0150	1
58	66-13580-2	.. PLATE, ELECTRICAL RECEPTACLE SUPPORT.	0150	1
59	BACS12CB06-5	.. ATTACHING PARTS	0150	3
	MS35337-41	.. SCREW	0150	3
60	66-13524-2	.. WASHER.	0150	3
	SCN001	.. SPACER.	0150	3
61	69-46124-5	.. CONNECTOR, POWER (V26742)	0150	1
62	10-16437-240G	.. MODULE ASSY, P13U WINDOW HEAT (INSTRUMENTS ONLY).	0150	1
62A	BACC45FN18-31P7	.. LIGHTPLATE ASSY, WHITE LIGHTED 5 VOLTS (SEE CHAPTER 33 FOR BREAKDOWN)	0150	1
	SFSW6C5DB	.. ATTACHING PARTS	0150	2
62A	BACN10PA06-6	.. SCREW, (V12324)	0150	2
62A	MS24264R18B31P7	.. NUT	0150	2
	M83723-72R1831P7	.. CONNECTOR	0150	1
62A	BACS12CB04-5	.. (OPTIONAL MS24264R18B31P7 OR M83723-72R1831P7)	0150	1
	BACN10NW1	.. CONNECTOR	0150	1
63	NAS514P632-5	.. (OPTIONAL TO BACC45FN18-31P7)	0150	1
	69-46124-6	.. CONNECTOR	0150	1
64	66-13643-2	.. (OPTIONAL TO BACC45FN18-31P7)	0150	1
65	BACS12CB06-5	.. ATTACHING PARTS	0150	3
	MS35337-41	.. SCREW	0150	3
66	66-13524-4	.. WASHER.	0150	3
	SCN001	.. SPACER.	0150	3
67	138-102	.. CONNECTOR, POWER (V26742)	0150	1
67A	10-61437-392B	.. (OPTIONAL 138-102 (V26742))	0150	1
	SFSW6C5DLO1BK	.. CONNECTOR, POWER (V26742)	0303	1
67B	65C21713-65	.. (OPTIONAL TO SCN001 (V26742))	0303	1
	BACC45FN12-12P	.. LIGHTPLATE ASSY, PITOT HEAT (ADDED BY SB 3371) (SEE CHAPTER 33 FOR BREAKDOWN)	0303	1
67C	BACS12CB04-5	.. ATTACHING PARTS	0303	2
	BACN10NW1	.. SCREW	0303	2
67D	66-13580-1	.. MODULE ASSY, PITOT HEAT (INSTRUMENTS ONLY) (ADDED BY SB 3371)	0303	1
	BACS12CB06-5	.. CONNECTOR	0303	1
67E	MS35337-41	.. ATTACHING PARTS	0303	3
	NAS514P632-5	.. SCREW	0303	3
67F	66-13524-1	.. NUT	0303	3
67G	800000121-1	.. PLATE, ELECTRICAL RECEPTACLE SUPPORT.	0303	1
67H	65C21713-53	.. ATTACHING PARTS	0303	3
68	69-46125-7	.. SCREW	0303	3
		.. SPACER.	0303	3
		.. CONNECTOR, POWER (V05617)	0303	1
		.. BASEPLATE, (ALTERED FROM BACP10U0187G).	0303	1
		.. MODULE ASSY, P13V PITOT HEAT (INSTRUMENTS ONLY)	0150	1

MISSING ITEM NUMBERS ARE NOT APPLICABLE

RAF
NOV 21/01

31-03-31

DETAILED PARTS LIST
31-03-31
PAGE 7

BOEING

707

PARTS CATALOG (MAINTENANCE)

FIGURE & ITEM NO.	MANUFACTURER'S PART NUMBER	1 2 3 4 5 6 7	NOMENCLATURE	EFF FROM TO	UNITS PER ASSY
31 69	10-61437-285G		.. LIGHTPLATE ASSY, PITOT HEAT (SEE CHAPTER 33 FOR BREAKDOWN)	0150	1
	SFSW6C5DB		ATTACHING PARTS		
	BACN10PA06-6		.. SCREW, (V12324)	0150	3
			.. NUT	0150	3
			-----*		
69A	BACC45FN14-15P7		.. CONNECTOR	0150	1
			ATTACHING PARTS		
	BACS12CB04-5		.. SCREW	0150	3
	BACN10NW1		.. NUT	0150	3
			-----*		
70	NAS514P632-5		.. SCREW	0150	3
71	69-46125-8		.. BASEPLATE ASSY, (ALTERED FROM BACP10U0487G)	0150	1
72	66-13580-2		.. PLATE, ELECTRICAL RECEPTACLE SUPPORT.	0150	1
			ATTACHING PARTS		
	BACS12CB06-5		.. SCREW	0150	3
	MS35337-41		.. WASHER	0150	3
			-----*		
73	66-13524-2		.. SPACER	0150	3
74	SCN001		.. CONNECTOR, POWER (V26742)	0150	1
75	69-46115-7		.. MODULE ASSY, P13L WING ANTI-ICE (INSTRUMENTS ONLY).	0150	1
76	10-61437-246G		.. LIGHTPLATE ASSY, WHITE LIGHTED 5 VOLTS (SEE CHAPTER 33 FOR BREAKDOWN)	0150	1
			ATTACHING PARTS		
	SFSW6C5DB		.. SCREW, (V12324)	0150	2
	BACN10PA06-6		.. NUT	0150	2
			-----*		
76A	BACC45FN16-24P		.. CONNECTOR	0150	1
			ATTACHING PARTS		
	BACS12CB04-5		.. SCREW	0150	3
	BACN10NW1		.. NUT	0150	3
			-----*		
77	NAS514P632-5		.. SCREW	0150	3
78	69-46115-8		.. BASEPLATE ASSY, (ALTERED FROM BACP10U0375G)	0150	1
79	69-46165-5		.. PLATE, ELECTRICAL RECEPTACLE SUPPORT.	0150	1
			ATTACHING PARTS		
	BACS12CB06-5		.. SCREW	0150	3
	MS35337-41		.. WASHER	0150	3
			-----*		
80	66-13524-2		.. SPACER	0150	3
81	SCN001		.. CONNECTOR, POWER (V26742)	0150	1
82	69-52342-1		.. MODULE ASSY, P13AC AUTOMATIC THROTTLE (INSTRUMENTS ONLY)	0150	1
83	10-61437-245G		.. LIGHTPLATE ASSY, WHITE LIGHTED 5 VOLTS (SEE CHAPTER 33 FOR BREAKDOWN)	0150	1
			ATTACHING PARTS		
	SFSW6C5DB		.. SCREW, (V12324)	0150	2
	BACN10PA06-6		.. NUT	0150	2
			-----*		
83A	BACC45FN16-24P9		.. CONNECTOR	0150	1
			ATTACHING PARTS		
	BACS12CB04-5		.. SCREW	0150	3
	BACN10NW1		.. NUT	0150	3
			-----*		
84	NAS514P632-5		.. SCREW	0150	3
85	69-52342-2		.. BASEPLATE ASSY, (ALTERED FROM BACP10U0262G)	0150	1
86	66-13643-1		.. PLATE, ELECTRICAL RECEPTACLE SUPPORT.	0150	1
			ATTACHING PARTS		
	BACS12CB06-5		.. SCREW	0150	3
	MS35337-41		.. WASHER	0150	3
			-----*		
87	66-13524-6		.. SPACER	0150	3
88	SCN001		.. CONNECTOR, POWER (V26742)	0150	1
89	69-46109-5		.. MODULE ASSY, P13P OXYGEN AND EMERGENCY EXIT LIGHTS. (INSTRUMENTS ONLY)	0150	1
90	10-61437-221G		.. LIGHTPLATE ASSY, WHITE LIGHTED 5 VOLTS (SEE CHAPTER 33 FOR BREAKDOWN)	0150	1
			ATTACHING PARTS		
	SFSW6C5DB		.. SCREW, (V12324)	0150	3
	BACN10PA06-6		.. NUT	0150	3
			-----*		
90A	BACC45FN22-55P		.. CONNECTOR	0150	1
			ATTACHING PARTS		
	BACS12CB04-5		.. SCREW	0150	4

MISSING ITEM NUMBERS ARE NOT APPLICABLE

BOEING

707

PARTS CATALOG (MAINTENANCE)

FIGURE & ITEM NO.	MANUFACTURER'S PART NUMBER	NOMENCLATURE							EFF FROM TO	UNITS PER ASSY
		1	2	3	4	5	6	7		
31	BACN10NW1	.	.	NUT	0150	4
91	NAS514P632-5	.	.	SCREW	0150	4
92	69-46109-2	.	.	BASEPLATE	0150	1
93	69-46164-2	.	.	PLATE, ELECTRICAL RECEPTACLE SUPPORT.	0150	1
	BACS12CB06-5	.	.	ATTACHING PARTS		
	MS35337-41	.	.	SCREW	0150	4
		.	.	WASHER	0150	4
94	66-13524-5	.	.	SPACER	0150	2
95	66-13524-10	.	.	SPACER	0150	2
96	SCN001	.	.	CONNECTOR, POWER (VZ6742)	0150	1
97	69-46163-6	.	.	MODULE ASSY, P13C CREW CALL AND WINDSHIELD WIPER.	0150	1
		.	.	(INSTRUMENTS ONLY)		
98	10-61437-251G	.	.	LIGHTPLATE ASSY, WHITE LIGHTED 5 VOLTS (DELETED BY	0150	1
		.	.	RAF MOD 7211.019-108) (SEE CHAPTER 33 FOR		
		.	.	BREAKDOWN)		
98	QC34429-1	.	.	LIGHTPLATE ASSY, WHITE LIGHTED 5 VOLTS (VZ0268)	0150	1
		.	.	(ALTERED FROM 10-61437-251G) (ADDED BY RAF		
		.	.	MOD 7211.019-108)		
		.	.	ATTACHING PARTS		
	SFSW6C5DB	.	.	SCREW, (V12324)	0150	2
	BACN10PA06-6	.	.	NUT	0150	2
98A	BACC45FN18-31P8	.	.	CONNECTOR	0150	1
		.	.	ATTACHING PARTS		
	BACS12CB04-5	.	.	SCREW	0150	4
	BACN10NW1	.	.	NUT	0150	4
99	NAS514P632-5	.	.	SCREW	0150	4
100	69-46163-7	.	.	BASEPLATE ASSY, (ALTERED FROM BACP10U0300G)	0150	1
101	69-46165-3	.	.	PLATE, ELECTRICAL RECEPTACLE SUPPORT.	0150	1
		.	.	ATTACHING PARTS		
	BACS12CB06-5	.	.	SCREW	0150	4
	MS35337-41	.	.	WASHER	0150	4
102	66-13524-5	.	.	SPACER	0150	2
103	66-13524-10	.	.	SPACER	0150	2
104	SCN001	.	.	CONNECTOR, POWER (VZ6742)	0150	1
105	65-58795-7	.	.	MODULE ASSY, P13M EXTERIOR LIGHTING (INSTRUMENTS	0150	1
		.	.	ONLY)		
106	10-61437-234G	.	.	LIGHTPLATE ASSY, WHITE LIGHTED 5 VOLTS (SEE CHAPTER	0150	1
		.	.	33 FOR BREAKDOWN)		
		.	.	ATTACHING PARTS		
	SFSW6C5DB	.	.	SCREW, (V12324)	0150	4
	BACN10PA06-12	.	.	NUT	0150	4
106A	BACC45FN22-19P	.	.	CONNECTOR	0150	1
		.	.	(OPTIONAL MS24264R22B19PN OR M83723-72R2219PN)		
106A	MS24264R22B19PN	.	.	CONNECTOR	0150	1
		.	.	(OPTIONAL TO BACC45FN22-19P)		
106A	M83723-72R2219PN	.	.	CONNECTOR	0150	1
		.	.	(OPTIONAL TO BACC45FN22-19P)		
106B	BACC45FN22-19P6	.	.	CONNECTOR	0150	1
		.	.	(OPTIONAL MS24264R22B19P6 OR M83723-72R2219P6)		
106B	MS24264R22B19P6	.	.	CONNECTOR	0150	1
		.	.	(OPTIONAL TO BACC45FN22-19P6)		
106B	M83723-72R2219P6	.	.	CONNECTOR	0150	1
		.	.	(OPTIONAL TO BACC45FN22-19P6)		
		.	.	ATTACHING PARTS		
	BACS12CB04-5	.	.	SCREW	0150	6
	BACN10NW1	.	.	NUT	0150	6
107	NAS514P632-7	.	.	SCREW	0150	6
108	65-58795-8	.	.	BASEPLATE ASSY.	0150	1
109	PC3 1-2X547-12	.	.	CUP, (V72794)	0150	4
110	PF3 1-2-44X545	.	.	STUD, (V72794)	0150	4
111	BACS22B7	.	.	SPRING	0150	4
		.	.	(OPTIONAL PS3-1-2 (V72794))		
111	PS3-1-2	.	.	SPRING, (V72794)	0150	4
		.	.	(OPTIONAL TO BACS22B7)		
112	65-58795-9	.	.	BASEPLATE	0150	1
113	66-13643-3	.	.	PLATE, ELECTRICAL RECEPTACLE SUPPORT.	0150	2

MISSING ITEM NUMBERS ARE NOT APPLICABLE

BOEING

707

PARTS CATALOG (MAINTENANCE)

FIGURE & ITEM NO.	MANUFACTURER'S PART NUMBER	NOMENCLATURE							EFF FROM TO	UNITS PER ASSY
		1	2	3	4	5	6	7		
31	BACS12CB06-5 MS35337-41	ATTACHING PARTS								
		. . . SCREW							0150	6
		. . . WASHER							0150	6
114	66-13524-2	. . . SPACER							0150	6
115	SCN001	. . . CONNECTOR, POWER (V26742)							0150	1
		(OPTIONAL 138-102 (V26742))								
115	138-102	. . . CONNECTOR, POWER (V26742)							0150	1
		(OPTIONAL TO SCN001 (V26742))								
116	69-52334-1	. . . MODULE ASSY, P13AE ATTITUDE WARNING (INSTRUMENTS . . . ONLY)							0150	1
117	10-61437-243G	. . . LIGHTPLATE ASSY, WHITE LIGHTED 5 VOLTS (SEE CHAPTER 33 FOR BREAKDOWN)							0150	1
	SFSW6C5DB	ATTACHING PARTS								
	BACN10PA06-6	. . . SCREW, (V12324)							0150	2
		. . . NUT							0150	2
117A	BACC45FN12-12P6	. . . CONNECTOR							0150	1
	BACS12CB04-5	ATTACHING PARTS								
	BACN10NW1	. . . SCREW							0150	3
		. . . NUT							0150	3
118	NAS514P632-5	. . . SCREW							0150	3
119	69-52334-2	. . . BASEPLATE ASSY, (ALTERED FROM BACP10U0150G)							0150	1
120	66-13580-3	. . . PLATE, ELECTRICAL RECEPTACLE SUPPORT							0150	1
	BACS12CB06-5	ATTACHING PARTS								
	MS35337-41	. . . SCREW							0150	3
		. . . WASHER							0150	3
121	66-13524-2	. . . SPACER							0150	3
122	SCN001	. . . CONNECTOR, POWER (V26742)							0150	1
123	69-52341-1	. . . MODULE ASSY, P13 RAIN REPELANT (INSTRUMENTS ONLY)							0150	1
		(DELETED BY RAF MOD 7211.019-4)								
123	391-30-40-74169-001	. . . MODULE ASSY, P13 RAIN REPELANT (INSTRUMENTS ONLY)							0150	1
		(VZ0031) (ALTERED FROM 69-52341-1) (ADDED BY RAF MOD 7211.019-4)								
124	10-61437-237G	. . . LIGHTPLATE ASSY, WHITE LIGHTED 5 VOLTS (SEE CHAPTER 33 FOR BREAKDOWN)							0150	1
	SFSW6C5DB	ATTACHING PARTS								
	BACN10PA06-6	. . . SCREW, (V12324)							0150	2
		. . . NUT							0150	2
124A	BACC45FN12-12P	. . . CONNECTOR							0150	1
	BACS12CB04-5	ATTACHING PARTS								
	BACN10NW1	. . . SCREW							0150	3
		. . . NUT							0150	3
125	NAS514P632-5	. . . SCREW							0150	3
126	69-52341-2	. . . BASEPLATE, (ALTERED FROM BACP10U0150G) (DELETED BY . . . RAF MOD 7211.019-4)							0150	1
126	391-30-40-47169-003	. . . BASEPLATE, (VZ0031) (ALTERED FROM 69-52341-2) (ADDED BY RAF MOD 7211.019-4)							0150	1
127	66-13580-3	. . . PLATE, ELECTRICAL RECEPTACLE SUPPORT							0150	1
	BACS12CB06-5	ATTACHING PARTS								
	MS35337-41	. . . SCREW							0150	3
		. . . WASHER							0150	3
128	66-13524-1	. . . SPACER							0150	3
129	SCN001	. . . CONNECTOR, POWER (V26742)							0150	1
130	69-46120-5	. . . MODULE ASSY, P13K RADIO ALTIMETER AND YAW DAMPER . . . (INSTRUMENTS ONLY)							0150	1
131	10-61437-283G	. . . LIGHTPLATE ASSY, RADIO ALTIMETER AND YAW DAMPER . . . (SEE CHAPTER 33 FOR BREAKDOWN)							0150	1
	SFSW6C5DLO1GY	ATTACHING PARTS								
	BACN10PA06-6	. . . SCREW, (V12324)							0150	3
		. . . NUT							0150	3
131A	BACC45FN18-31P	. . . CONNECTOR							0150	1
131B	BACC45FN18-31P6	. . . CONNECTOR							0150	1
	BACS12CB04-5	ATTACHING PARTS								
	BACN10NW1	. . . SCREW							0150	6
		. . . NUT							0150	6
132	NAS514P632-5	. . . SCREW							0150	4

MISSING ITEM NUMBERS ARE NOT APPLICABLE

BOEING

707

PARTS CATALOG (MAINTENANCE)

FIGURE & ITEM NO.	MANUFACTURER'S PART NUMBER	NOMENCLATURE	EFF	UNITS
			FROM TO	PER ASSY
31 133 134	69-46120-6	BASEPLATE, (ALTERED FROM BACP10U0300G).	0150	1
	69-46129-3	PLATE, ELECTRICAL RECEPTACLE SUPPORT.	0150	1
	BACS12CB06-5	ATTACHING PARTS		
	MS35337-41	SCREW	0150	4
		WASHER.	0150	4
		-----*		
135	66-13524-1	SPACER.	0150	4
136	SCN001	CONNECTOR, POWER (V26742)	0150	1
137	69-46112-4	MODULE ASSY, P13F NACELLE ANTI-ICE (INSTRUMENTS ONLY)	0150	1
138	10-61437-204G	LIGHTPLATE ASSY, WHITE LIGHTED 5 VOLTS (SEE CHAPTER 33 FOR BREAKDOWN)	0150	1
	SFSW6C5DB	ATTACHING PARTS		
	BACN10PA06-6	SCREW, (V12324)	0150	4
		NUT	0150	4
		-----*		
138A	BACC45FN18-31P7	CONNECTOR (OPTIONAL MS24264R18B31P7 OR M83723-72R1831P7)	0150	1
138A	MS24264R18B31P7	CONNECTOR (OPTIONAL TO BACC45FN18-31P7)	0150	1
138A	M83723-72R1831P7	CONNECTOR (OPTIONAL TO BACC45FN18-31P7)	0150	1
	BACS12CB04-5	ATTACHING PARTS		
	BACN10NW1	SCREW	0150	3
		NUT	0150	3
		-----*		
139	NAS514P632-5	SCREW	0150	3
140	69-46112-2	BASEPLATE, (ALTERED FROM BACP10U0450G).	0150	1
141	66-13643-2	PLATE, ELECTRICAL RECEPTACLE SUPPDRT.	0150	1
	BACS12CB06-5	ATTACHING PARTS		
	MS35337-41	SCREW	0150	3
		WASHER.	0150	3
		-----*		
142	66-13524-1	SPACER.	0150	3
143	SCN001	CONNECTOR, POWER (V26742) (OPTIONAL 138-102 (V26742))	0150	1
143	138-102	CONNECTOR, POWER (V26742) (OPTIONAL TO SCN001 (V26742))	0150	1
144	69-52340-1	MODULE ASSY, P13E SPOILER AND WINDSHIELD WIPER. (INSTRUMENTS ONLY)	0150	1
145	10-61437-248G	LIGHTPLATE ASSY, WHITE LIGHTED 5 VOLTS (SEE CHAPTER 33 FOR BREAKDOWN)	0150	1
	SFSW6C5DB	ATTACHING PARTS		
	BACN10PA06-6	SCREW, (V12324)	0150	2
		NUT	0150	2
		-----*		
145A	BACC45FN16-24P7	CONNECTOR	0150	1
	BACS12CB04-5	ATTACHING PARTS		
	BACN10NW1	SCREW	0150	3
		NUT	0150	3
		-----*		
146	NAS514P632-5	SCREW	0150	3
147	69-52340-2	BASEPLATE, (ALTERED FROM BACP10U0337G).	0150	1
148	66-13643-1	PLATE, ELECTRICAL RECEPTACLE SUPPORT.	0150	1
	BACS12CB06-5	ATTACHING PARTS		
	MS35337-41	SCREW	0150	3
		WASHER.	0150	3
		-----*		
149	66-13524-2	SPACER.	0150	3
150	SCN001	CONNECTOR, POWER (V26742)	0150	1
151	69-46110-4	MODULE ASSY, P13D BRAKES (INSTRUMENTS ONLY)	0150	1
152	10-61437-202G	LIGHTPLATE ASSY, WHITE LIGHTED 5 VOLTS (SEE CHAPTER 33 FOR BREAKDOWN)	0150	1
	SFSW6C5DB	ATTACHING PARTS		
	BACN10PA06-6	SCREW, (V12324)	0150	2
		NUT	0150	2
		-----*		
152A	BACC45FN16-24P6	CONNECTOR (OPTIONAL MS24264R16B24P6 OR M83723-72R1624P6)	0150	1
152A	MS24264R16B24P6	CONNECTOR (OPTIONAL TO BACC45FN16-24P6)	0150	1
152A	M83723-72R1624P6	CONNECTOR (OPTIONAL TO BACC45FN16-24P6)	0150	1
	BACS12CB04-5	ATTACHING PARTS		
		SCREW	0150	3

MISSING ITEM NUMBERS ARE NOT APPLICABLE

BOEING

707
PARTS CATALOG (MAINTENANCE)

FIGURE & ITEM NO.	MANUFACTURER'S PART NUMBER	NOMENCLATURE							EFF FROM TO	UNITS PER ASSY
		1	2	3	4	5	6	7		
31	BACN10NW1	0150	3
153	NAS514P632-5	0150	3
154	69-46110-2	0150	1
155	66-13643-1	0150	1
	BACS12CB06-5	0150	3
	MS35337-41	0150	3
156	66-13524-1	0150	3
157	SCN001	0150	1
157	138-102	0150	1
158	69-52098-1	0150	1
159	10-61437-236G	0150	1
	SFSW6C5DB	0150	2
	BACN10PA06-6	0150	2
159A	BACC45FN18-14P9	0150	1
	BAC12CB04-5	0150	3
	BACN10NW1	0150	3
160	NAS514P632-5	0150	3
161	69-52098-2	0150	1
162	66-13643-2	0150	1
	BACS12CB06-5	0150	3
	MS35337-41	0150	3
163	66-13524-2	0150	3
164	SCN001	0150	1
R	69-52099-1	0150	1
R	391-33-10-17018-001	0150	1
R	10-61437-238G	0150	1
R	SFSW6C5DB	0150	2
R	BACN10PA06-6	0150	2
R	391-33-10-17018-001	0150	1
R	MS35206-228	0150	2
R	AN960KD6	0150	2
R	BACN10AJ1	0150	2
166A	BACC45FN14-7P	0150	1
	BACS12CB04-5	0150	3
	BACN10NW1	0150	3
167	NAS514P632-5	0150	3
168	69-52099-2	0150	1
R	391-33-10-17018-003	0150	1
R	66-13580-2	0150	1
R	BACS12CB06-5	0150	3
	MS35337-41	0150	3
R	391-33-10-17018-101	0150	1
R	MS35206-228	0150	1
170	66-13524-1	0150	3
171	SCN001	0150	1

MISSING ITEM NUMBERS ARE NOT APPLICABLE

BOEING

707

PARTS CATALOG (MAINTENANCE)

FIGURE & ITEM NO.	MANUFACTURER'S PART NUMBER	NOMENCLATURE							EFF FROM TO	UNITS PER ASSY
		1	2	3	4	5	6	7		
31 172	69-52339-5	. MODULE ASSY, P13AA LIGHTING CONTROLS (INSTRUMENTS . . . ONLY)							0150	1
173	10-61437-284G	. . LIGHTPLATE ASSY, LIGHTING CONTROLS (SEE CHAPTER 33 FOR BREAKDOWN)							0150	1
	SFSW6C5DB	. . ATTACHING PARTS							0150	2
	BACN10PA06-6	. . SCREW, (V12324)							0150	2
		. . NUT							0150	2
173A	BACC45FN22-12P	. . CONNECTOR							0150	1
	BACS12CB04-5	. . ATTACHING PARTS							0150	3
	BACN10NW1	. . SCREW							0150	3
		. . NUT							0150	3
174	NAS514P632-5	. . SCREW							0150	3
175	69-52339-6	. . BASEPLATE, (ALTERED FROM BACP100D262G)							0150	1
176	66-13643-3	. . PLATE, ELECTRICAL RECEPTACLE SUPPORT.							0150	1
	BACS12CB06-5	. . ATTACHING PARTS							0150	3
	MS35337-41	. . SCREW							0150	3
		. . WASHER							0150	3
177	66-13524-5	. . SPACER							0150	3
178	SCN001	. . CONNECTOR, POWER (V26742)							0150	1
179	69-52097-1	. . MODULE ASSY, P13W VU METER (INSTRUMENTS ONLY)							0150	1
		(DELETED BY RAF MOD 7211.019-4)								
179	391-33-10-73966-001	. . MODULE ASSY, AUDIO METER (V20031) (ALTERED FROM . . . 69-52097-1) (ADDED BY RAF MOD 7211.019-4)							0150	1
180	391-23-10-73966-003	. . LIGHTPLATE ASSY, WHITE LIGHTED 5 VOLTS (V20031)							0150	1
		(ALTERED FROM 10-61437-239G) (USED ON 391-33-10-73966-001)								
180	10-61437-239G	. . LIGHTPLATE ASSY, WHITE LIGHTED 5 VOLTS (USED ON . . . 69-52097-1) (SEE CHAPTER 33 FOR BREAKDOWN)							0150	1
	SFSW6C5DB	. . ATTACHING PARTS							0150	2
	BACN10PA06-6	. . SCREW, (V12324)							0150	2
		. . NUT							0150	2
180A	BACC45FN12-12P	. . CONNECTOR							0150	1
	BACS12CB04-5	. . ATTACHING PARTS							0150	3
	BACN10NW1	. . SCREW							0150	3
		. . NUT							0150	3
181	NAS514P632-5	. . SCREW							0150	3
182	69-52097-2	. . BASEPLATE ASSY, (ALTERED FROM BACP100D337G) (USED ON 69-52097-1)							0150	1
182	391-23-10-73966-103	. . BASEPLATE, (V20031) (ALTERED FROM 69-52097-2) . . . (USED ON 391-23-10-73966-003)							0150	1
183	66-13580-1	. . PLATE, ELECTRICAL RECEPTACLE SUPPORT.							0150	1
	BACS12CB06-5	. . ATTACHING PARTS							0150	3
	MS35337-41	. . SCREW							0150	3
		. . WASHER							0150	3
184	66-13524-1	. . SPACER							0150	3
185	SCN001	. . CONNECTOR, POWER (V26742)							0150	1
186	69-52344-1	. . PANEL ASSY, FILLER (DELETED BY RAF MOD 7211.019-4)							0150	1
187	69-52344-2	. . PANEL ASSY, FILLER							0150	1
187	69-52344-2	. . PANEL ASSY, FILLER (DELETED BY RAF MOD 7211.019-4)							0150	1
		. . FOR REFERENCE TO OTHER MODULE DETAILS, SEE NHA.							0150	1

MISSING ITEM NUMBERS ARE NOT APPLICABLE

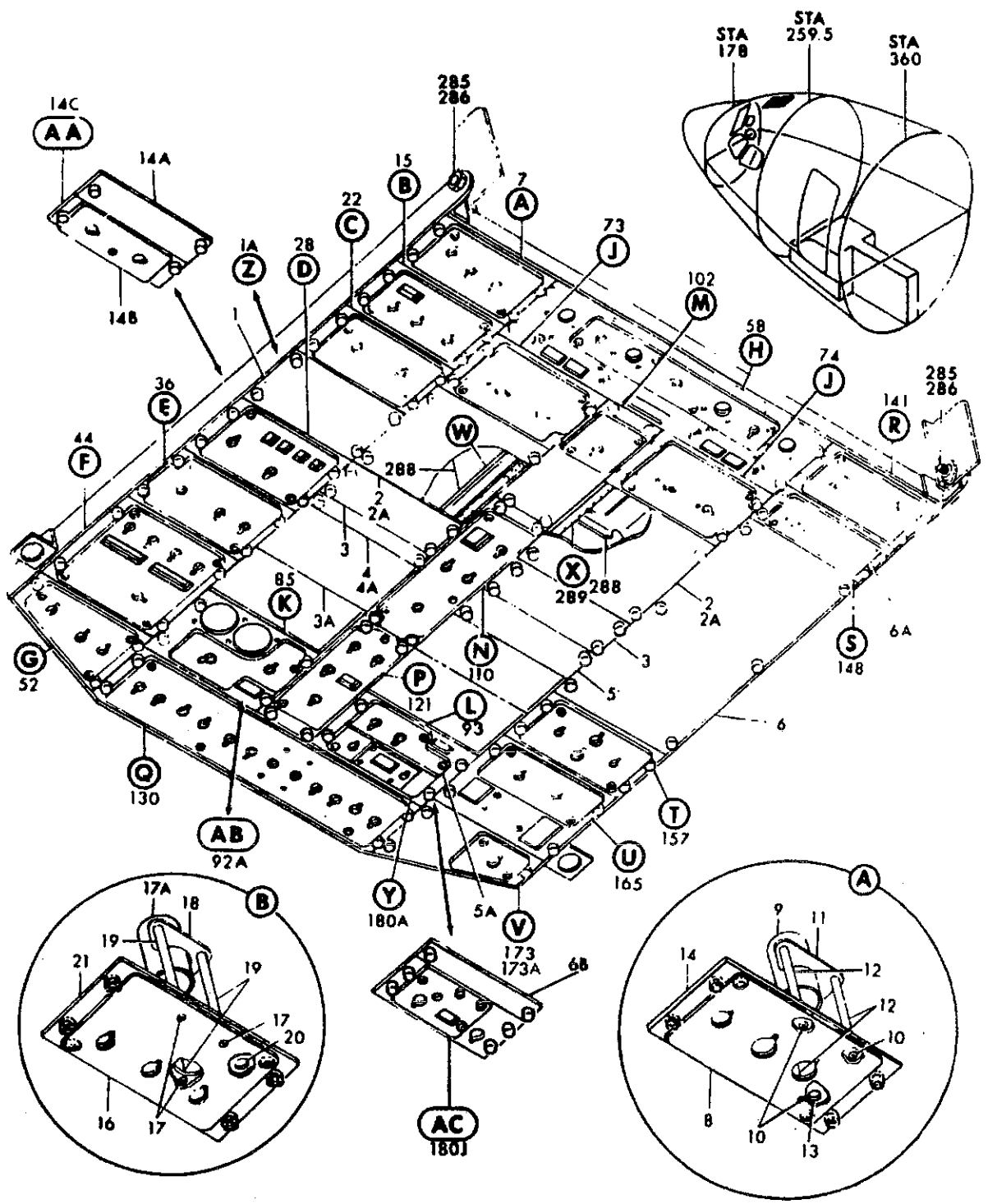


FIGURE 42. MODULE INSTL. P13 PILOTS OVERHEAD (INSTRUMENTS ONLY) (SHEET 1)

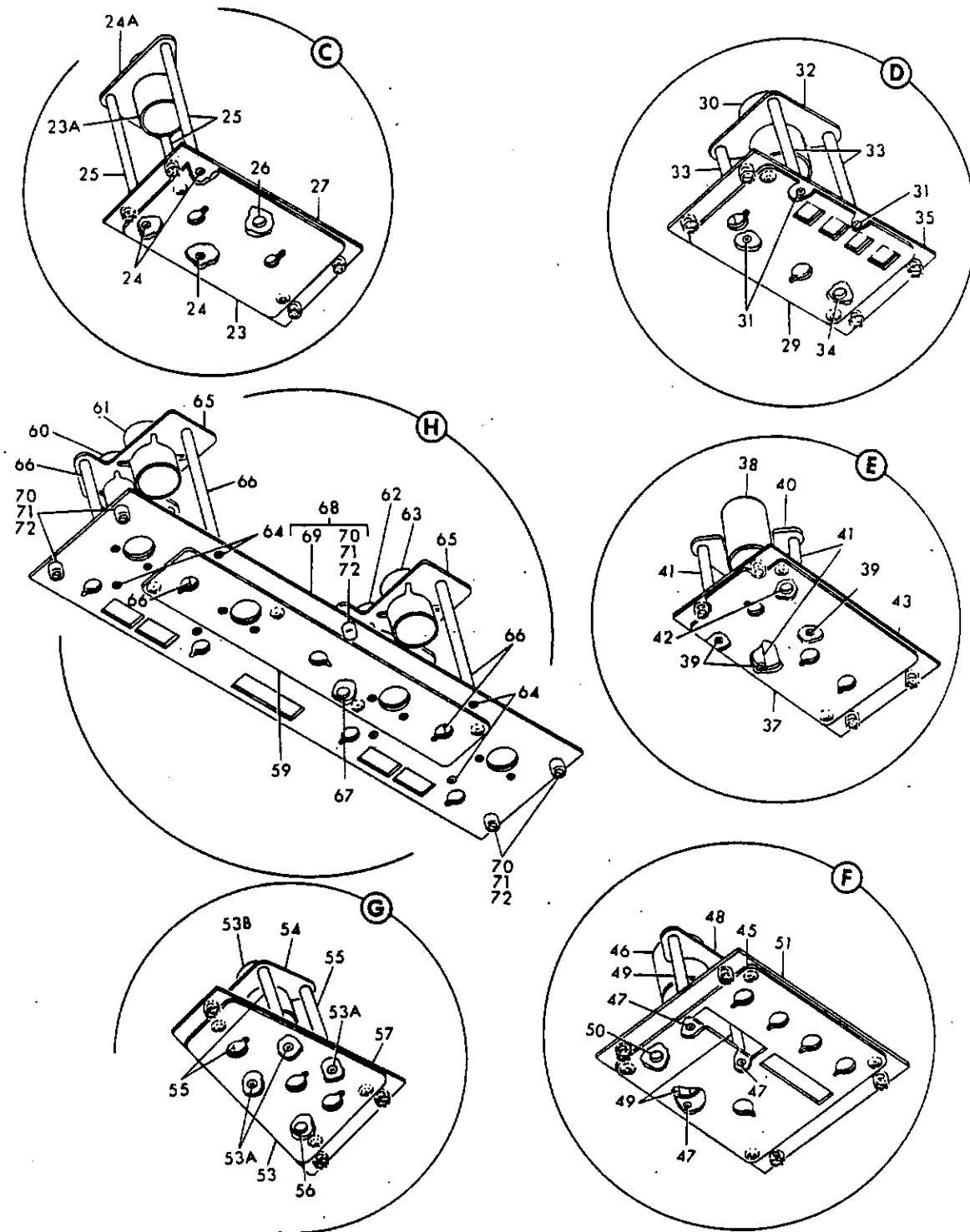


FIGURE 42. MODULE INSTL, P13 PILOTS OVERHEAD (INSTRUMENTS ONLY) (SHEET 2)

NOV 21/90

31-03-42

DETAILED PARTS LIST
31-03-42
PAGE 1

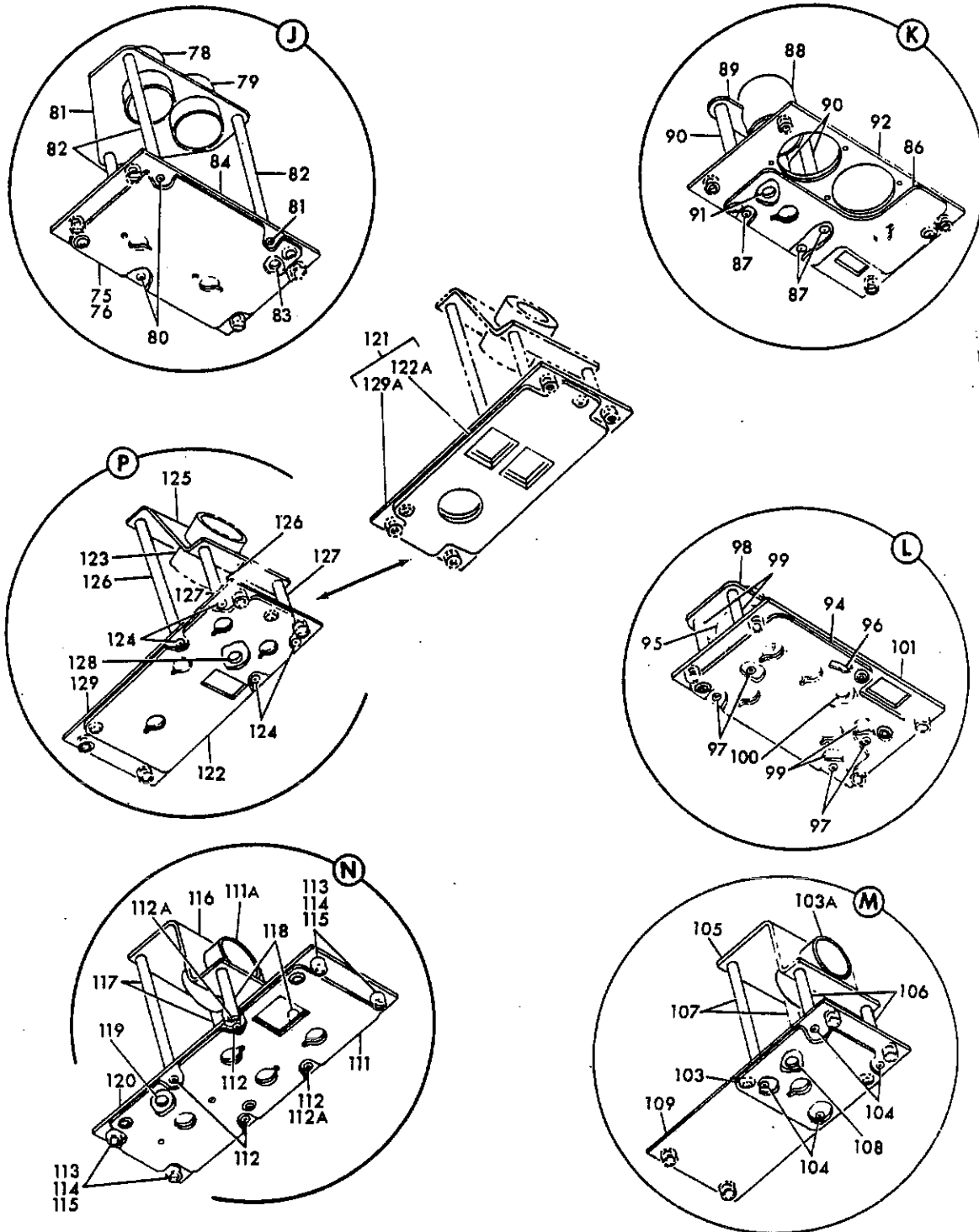


FIGURE 42. MODULE INSTL, P13 PILOTS OVERHEAD INSTRUMENTS ONLY) (SHEET 3)

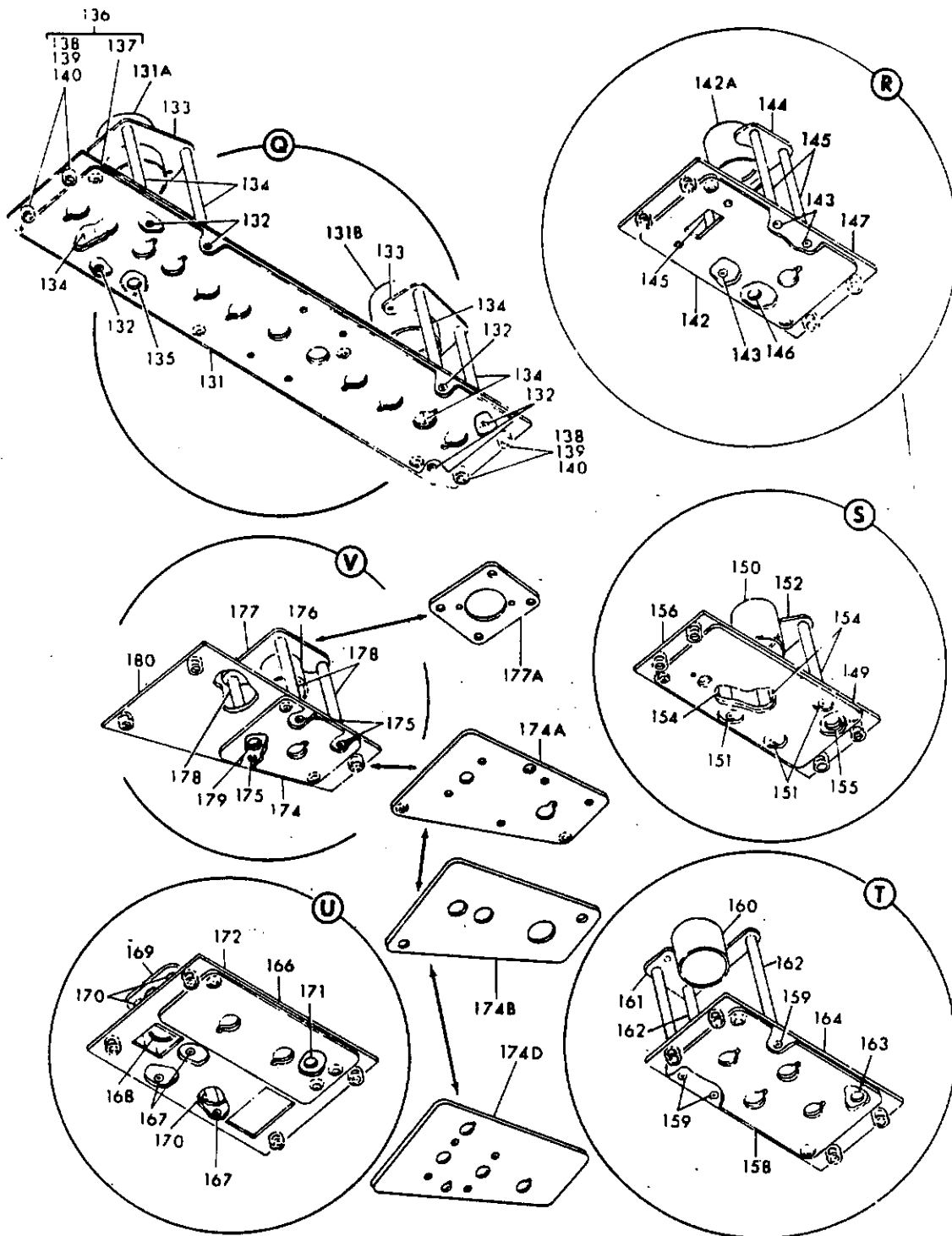


FIGURE 42. MODULE INSTL, P13 PILOTS OVERHEAD (INSTRUMENTS ONLY) (SHEET 4)

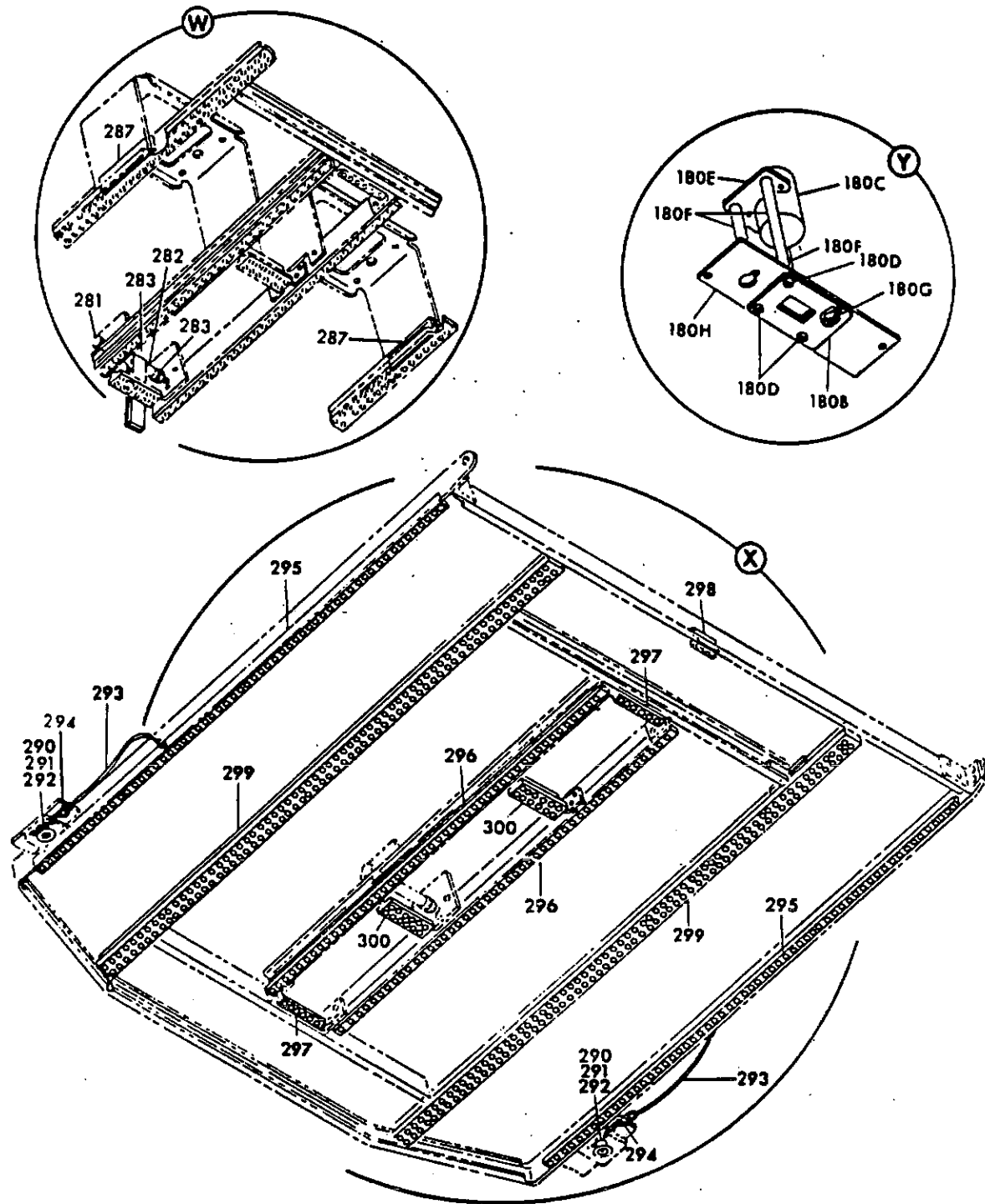


FIGURE 42. MODULE INSTL, P13 PILOTS OVERHEAD (INSTRUMENTS ONLY) (SHEET 5)

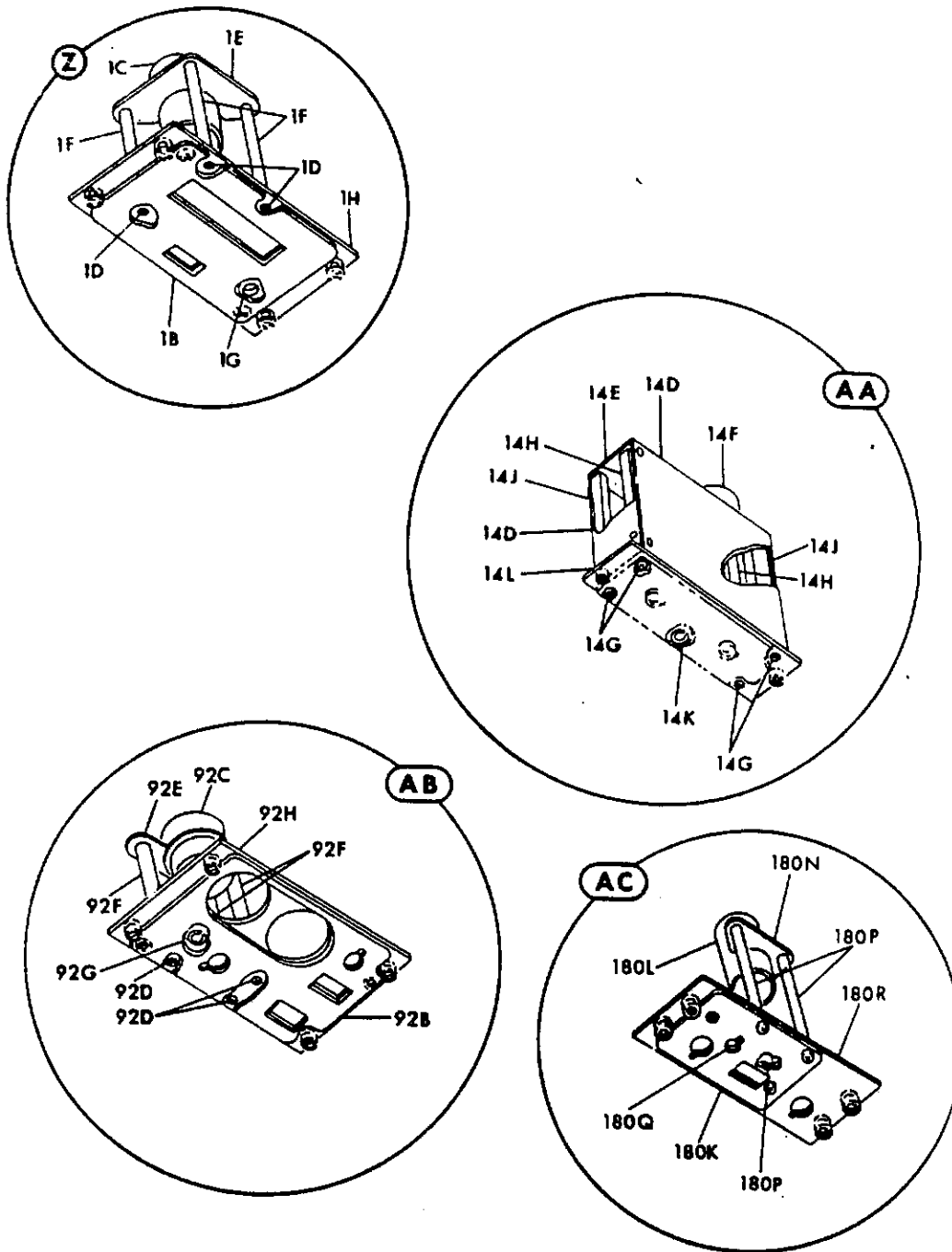


FIGURE 42. MODULE INSTL, P13 PILOTS' OVERHEAD (INSTRUMENTS ONLY) (SHEET 6)

NOV 21/90

31-03-42

DETAILED PARTS LIST
 31-03-42
 PAGE 5



PARTS CATALOG

FIGURE & ITEM NO.	MANUFACTURER'S PART NUMBER	NOMENCLATURE	EFF	UNITS
			FROM TO	PER ASSY
R R	42 24 24A	NAS514P632-5 66-13643-2	5199	3
		PLATE, ELECTRICAL RECEPTACLE SUPPORT.	5199	1
R R		ATTACHING PARTS		
		SCREW	5199	3
	BACS12CB06-5 MS35337-41	WASHER.	5199	3
		-----*		
R R	25	66-13524-5	5199	3
	26	SCN001	5199	1
R R		CONNECTOR, POWER (V26742)		
		(OPTIONAL 138-102 (V26742))		
R R	26	138-102	5199	1
		CONNECTOR, POWER (V26742)		
		(OPTIONAL TO SCN001 (V26742))		
R R	27	69-46108-2	5199	1
	28	69-46110-4	5199	1
R R	29	10-61437-202B	5199	1
		LIGHTPLATE ASSY, BRAKES (SEE CHAPTER 33 FOR BREAKDOWN)		
		ATTACHING PARTS		
R		SCREW, (V12324)	5199	2
		-----*		
R R	30	BACC45FN16-24P6	5199	1
		CONNECTOR		
		(OPT MS24264R16B24PNR OR M83723-72R1624PN)		
R R	30	MS24264R16B24PNR	5199	1
		CONNECTOR		
		(OPTIONAL TO BACC45FN16-24P6)		
R R	30	M83723-72R1624PN	5199	1
		CONNECTOR		
		(OPTIONAL TO BACC45FN16-24P6)		
		ATTACHING PARTS		
R		SCREW	5199	3
R		BACS12CB04-5 BACN10NW1	5199	3
		NUT	5199	3
		-----*		
R R	31	NAS514P632-5	5199	3
	32	66-13643-1	5199	1
		PLATE, ELECTRICAL RECEPTACLE SUPPORT.		
		ATTACHING PARTS		
R		SCREW	5199	3
R		BACS12CB06-5 MS35337-41	5199	3
		WASHER.	5199	3
		-----*		
R R	33	66-13524-1	5199	3
	34	SCN001	5199	1
		CONNECTOR, POWER (V26742)		
		(OPTIONAL 138-102 (V26742))		
R R	34	138-102	5199	1
		CONNECTOR, POWER (V26742)		
		(OPTIONAL TO SCN001 (V26742))		
R R	35	69-46110-2	5199	1
	36	69-46111-4	5199	1
		BASEPLATE, (ALTERED FROM; BACP10U0300G)		
		MODULE ASSY, P13E RUDDER AND SPOILER (INSTRUMENTS ONLY)		
R R	37	10-61437-229G	5199	1
		LIGHTPLATE ASSY, (SEE CHAPTER 33 FOR BREAKDOWN)		
		ATTACHING PARTS		
R		SCREW, (V12324)	5199	1
		-----*		
R	38	BACC45FN14-15P	5199	1
		CONNECTOR		
		ATTACHING PARTS		
R		BACS12CB04-5	5199	1
R		BACN10NW1	5199	3
		NUT	5199	3
		-----*		
R R	39	NAS514P632-5	5199	1
	40	66-13580-2	5199	1
		PLATE, ELECTRICAL RECEPTACLE SUPPORT.		
		ATTACHING PARTS		
R		SCREW	5199	3
R		BACS12CB06-5 MS35337-41	5199	3
		WASHER.	5199	3
		-----*		
R R	41	66-13524-1	5199	3
	42	SCN001	5199	1
		CONNECTOR, POWER (V26742)		
		(OPTIONAL 138-102 (V26742))		
R R	43	69-46111-5	5199	1
	44	69-46112-14	5199	1
		BASEPLATE, (ALTERED FROM; BACP10U0300G)		
		MODULE ASSY, P13F NACELLE ANTI-ICE (INSTRUMENTS ONLY)		
R R	45	10-61437-204G	5199	1
		LIGHTPLATE ASSY, (SEE CHAPTER 33 FOR BREAKDOWN)		
		ATTACHING PARTS		
R		SCREW, (V12324)	5199	4
		-----*		
R R	46	BACC45FN18-31P7	5199	1
		CONNECTOR		
		(OPT MS24264R18B31PNR OR M83723-72R1831PN)		
R R	46	MS24264R18B31PNR	5199	1
		CONNECTOR		
		(OPTIONAL TO BACC45FN18-31P7)		
R R	46	M83723-72R1831PN	5199	1
		CONNECTOR		
		(OPTIONAL TO BACC45FN18-31P7)		

MISSING ITEM NUMBERS ARE NOT APPLICABLE

PARTS CATALOG

QTY	MANUFACTURER'S PART NUMBER	1	2	3	4	5	6	7	NOMENCLATURE	EFF FROM TO	UNITS PER ASSY
									ATTACHING PARTS		
	BACS12CB04-5								SCREW	5199	3
	BACN10NW1								NUT	5199	3
47	NAS514P632-5								SCREW	5199	3
48	66-13643-2								PLATE, ELECTRICAL RECEPTACLE SUPPORT.	5199	1
									ATTACHING PARTS		
	BACS12CB06-5								SCREW	5199	3
	MS35337-41								WASHER.	5199	3
49	66-13524-1								SPACER, ELECTRICAL RECEPTACLE	5199	1
50	SCN001								CONNECTOR, POWER (V26742) (OPTIONAL 138-102 (V26742))	5199	1
50	138-102								CONNECTOR, POWER (V26742) (OPTIONAL TO SCN001 (V26742))	5199	1
51	69-46112-2								BASEPLATE, (ALTERED FROM;BACP10U0450G).	5199	1
52	69-46113-4								MODULE ASSY, P13G RAIN REPELLENT AND STICK SHAKER (INSTRUMENTS ONLY)	5199	1
53	10-61437-228G								LIGHTPLATE ASSY, (SEE CHAPTER 33 FOR BREAKDOWN)	5199	1
									ATTACHING PARTS		
	SFSW6C5DB								SCREW, (V12324)	5199	3
53A	NAS514P632-5								SCREW	5199	3
53B	BACC45FN12-12P								CONNECTOR (OPT MS24264R12B12PNR OR M83723-72R1212PN)	5199	1
53B	MS24264R12B12PNR								CONNECTOR (OPTIONAL TO BACC45FN12-12P)	5199	1
53B	M83723-72R1212PN								CONNECTOR (OPTIONAL TO BACC45FN12-12P)	5199	1
									ATTACHING PARTS		
	BACS12CB04-5								SCREW	5199	3
	BACN10NW1								NUT	5199	3
54	66-13580-1								PLATE, ELECTRICAL RECEPTACLE SUPPORT.	5199	1
									ATTACHING PARTS		
	BACS12CB06-5								SCREW	5199	3
	MS35337-41								WASHER.	5199	3
55	66-13524-1								SPACER, ELECTRICAL RECEPTACLE	5199	3
56	SCN001								CONNECTOR, POWER (V26742) (OPTIONAL 138-102 (V26742))	5199	1
56	138-102								CONNECTOR, POWER (V26742) (OPTIONAL TO SCN001 (V26742))	5199	1
57	69-46113-2								BASEPLATE, (ALTERED FROM;BACP10U0337G).	5199	1
58	65-58794-46								MODULE ASSY, P13H ENGINE FIRE SHUTOFF (INSTRUMENTS ONLY)	5199	1
59	10-61437-235G								LIGHT PLATE ASSY, (SEE CHAPTER 33 FOR BREAKDOWN)	5199	1
									ATTACHING PARTS		
	SFSW6C5DB								SCREW, (V12324)	5199	4
60	BACC45FN12-12P6								CONNECTOR (OPT MS24264R12B12PNR OR M83723-72R1212PN)	5199	1
60	MS24264R12B12PNR								CONNECTOR (OPTIONAL TO BACC45FN12-12P6)	5199	1
60	M83723-72R1212PN								CONNECTOR (OPTIONAL TO BACC45FN12-12P6)	5199	1
61	BACC45FN18-14P7								CONNECTOR (OPT MS24264R12B12PNR OR M83723-72R1212PN)	5199	1
61	MS24264R18B14PNR								CONNECTOR (OPTIONAL TO BACC45FN18-14P7)	5199	1
61	M83723-72R1814PN								CONNECTOR (OPTIONAL TO BACC45FN18-14P7)	5199	1
62	BACC45FN12-12P8								CONNECTOR (OPT MS24264R18B14PNR OR M83723-72R1814PN)	5199	1
62	MS24264R12B12PNR								CONNECTOR (OPTIONAL TO BACC45FN12-12P8)	5199	1
62	M83723-72R1212PN								CONNECTOR (OPTIONAL TO BACC45FN12-12P8)	5199	1

MISSING ITEM NUMBERS ARE NOT APPLICABLE



PARTS CATALOG

FIGURE & ITEM NO.	MANUFACTURER'S PART NUMBER	NOMENCLATURE							EFF FROM TO	UNITS PER ASSY	
		1	2	3	4	5	6	7			
R 42 103A	BACC45FN18-14P9	CONNECTOR	5199	1
R	BACS12CB04-5	ATTACHING PARTS	5199	4
R	BACN10NW1	SCREW	5199	4
		NUT	5199	4
		-----*									
R	104 NAS514P632-5	SCREW	5199	4
R	105 69-46164-3	PLATE, ELECTRICAL RECEPTACLE SUPPORT.	5199	1
R	BACS12CB06-5	ATTACHING PARTS	5199	4
R	MS35337-41	SCREW	5199	4
		WASHER.	5199	4
		-----*									
R	106 66-13524-10	SPACER, ELECTRICAL RECEPTACLE	5199	2
R	107 66-13524-13	SPACER, ELECTRICAL RECEPTACLE	5199	2
R	108 SCN001	CONNECTOR, POWER (V26742)	5199	1
R	109 69-46128-4	BASEPLATE, (ALTERED FROM; BACP10U0300G).	5199	1
R	110 69-46109-20	MODULE ASSY, P13P OXYGEN AND EMERGENCY EXIT LIGHTS (INSTRUMENTS ONLY)	5199	1
R	SFSW6C5DB	ATTACHING PARTS	5199	3
		SCREW, (V12324)	5199	3
		-----*									
R	111A BACC45FN22-55P	CONNECTOR	5199	1
R	BACS12CB04-5	ATTACHING PARTS	5199	4
R	BACN10NW1	SCREW	5199	4
		NUT	5199	4
		-----*									
R	112 NAS514P632-5	SCREW	5199	4
R	112A AN960D10	WASHER.	5199	AR
R	113 BACC30F7	CUP	5199	4
R	114 BACS21F7-38	STUD.	5199	4
R	115 BACS22B7	SPRING.	5199	4
R	116 69-46164-2	BRACKET, ELECTRICAL RECEPTACLE SUPPORT.	5199	1
R	BACS12CB06-5	ATTACHING PARTS	5199	4
R	MS35337-41	SCREW	5199	4
		WASHER.	5199	4
		-----*									
R	117 66-13524-10	SPACER, ELECTRICAL RECEPTACLE	5199	2
R	118 66-13524-5	SPACER, ELECTRICAL RECEPTACLE	5199	2
R	119 SCN001	CONNECTOR, POWER (V26742)	5199	1
R	121 69-46163-18	MODULE ASSY, P13C CREW CALL AND WINDSHIELD WIPER. (INSTRUMENTS ONLY)	5199	1
R	122 10-61437-214G	LIGHTPLATE ASSY, (SEE CHAPTER 33 FOR BREAKDOWN) (USED ON 69-46163-18)	5199	1
R	SFSW6C5DB	ATTACHING PARTS	5199	2
		SCREW, (V12324)	5199	2
		-----*									
R	123 BACC45FN18-31PB	CONNECTOR	5199	1
R	BACS12CB04-5	ATTACHING PARTS	5199	4
R	BACN10NW1	SCREW	5199	4
		NUT	5199	4
		-----*									
R	124 NAS514P632-5	SCREW	5199	4
R	125 69-46165-3	PLATE, ELECTRICAL RECEPTACLE SUPPORT.	5199	1
R	BACS12CB06-5	ATTACHING PARTS	5199	4
R	MS35337-41	SCREW	5199	4
		WASHER.	5199	4
		-----*									
R	126 66-13524-10	SPACER, ELECTRICAL RECEPTACLE	5199	2
R	127 66-13524-5	SPACER, ELECTRICAL RECEPTACLE	5199	2
R	128 SCN001	CONNECTOR, POWER (V26742)	5199	1
R	129 69-46163-4	BASEPLATE, (ALTERED FROM; BACP10U0300G). (USED ON 69-46163-18)	5199	1
R	130 65-58795-7	MODULE ASSY, P13M EXTERIOR LIGHTING (INSTRUMENTS ONLY)	5199	1
R	131 10-61437-234G	LIGHTPLATE ASSY, (SEE CHAPTER 33 FOR BREAKDOWN)	5199	1
R	SFSW6C5DB	ATTACHING PARTS	5199	4
		SCREW, (V12324)	5199	4
		-----*									
R	131A BACC45FN22-19P	CONNECTOR	5199	1
R		(OPT MS24264R22B19PNR OR M83723-72R2219PN)		
R	131A MS24264R22B19PNR	CONNECTOR	5199	1
R		(OPTIONAL TO BACC45FN22-19P)		
R	131A M83723-72R2219PN	CONNECTOR	5199	1
R		(OPTIONAL TO BACC45FN22-19P)		

MISSING ITEM NUMBERS ARE NOT APPLICABLE



PARTS CATALOG

FIGURE & ITEM NO.	MANUFACTURER'S PART NUMBER	NOMENCLATURE							EFF FROM TO	UNITS PER ASSY		
		1	2	3	4	5	6	7				
R R R R R R	42 131B	BACC45FN22-19P6	CONNECTOR (OPT MS24264R22B19PNR OR M83723-72R2219PN)	5199	1
R R R R	131B	MS24264R22B19PNR	CONNECTOR (OPTIONAL TO BACC45FN22-19P6)	5199	1
R R R	131B	M83723-72R2219PN	CONNECTOR (OPTIONAL TO BACC45FN22-19P6)	5199	1
R R		BACS12CB04-5	ATTACHING PARTS SCREW	5199	6
R R		BACN10NW1	NUT	5199	6
R R	132	NAS514P632-7	SCREW	5199	6
R R	133	66-13643-3	PLATE, ELECTRICAL RECEPTACLE SUPPORT. ATTACHING PARTS	5199	2
R R		BACS12CB06-5	SCREW	5199	6
R R		MS35337-41	WASHER	5199	6
R R R R R R R R R R	134	66-13524-2	SPACER, ELECTRICAL RECEPTACLE	5199	6
R R R R R R R R R R	135	SCN001	CONNECTOR, POWER (V26742) (OPTIONAL 138-102 (V26742))	5199	1
R R R R R R R R R R	135	138-102	CONNECTOR, POWER (V26742) (OPTIONAL TO SCN001 (V26742))	5199	1
R R R R R R R R R R	136	65-58795-8	BASEPLATE ASSY.	5199	1
R R R R R R R R R R	137	65-58795-9	BASEPLATE	5199	1
R R R R R R R R R R	138	PC3 1-2X547-12	CUP, (V72794)	5199	4
R R R R R R R R R R	139	PF3 1-2-44X545	STUD, (V72794)	5199	4
R R R R R R R R R R	140	BACS22B7	SPRING	5199	4
R R R R R R R R R R	141	69-46122-4	MODULE ASSY, P13S LIGHT OVERRIDE AND COMPASS DIM. (INSTRUMENTS ONLY)	5199	1
R R R R R R R R R R	142	10-61437-216G	LIGHTPLATE ASSY, (SEE CHAPTER 33 FOR BREAKDOWN) ATTACHING PARTS	5199	1
R R R R R R R R R R		SFSW6C5DL10GY	SCREW, (V12324)	5199	2
R R R R R R R R R R	142A	BACC45FN1B-31P9	CONNECTOR ATTACHING PARTS	5199	1
R R R R R R R R R R		BACS12CB04-5	SCREW	5199	3
R R R R R R R R R R		BACN10NW1	NUT	5199	3
R R R R R R R R R R	143	NAS514P632-5	SCREW	5199	3
R R R R R R R R R R	144	69-46129-1	PLATE, ELECTRICAL RECEPTACLE SUPPORT. ATTACHING PARTS	5199	1
R R R R R R R R R R		BACS12CB06-5	SCREW	5199	3
R R R R R R R R R R		MS35337-41	WASHER	5199	3
R R R R R R R R R R	145	66-13524-2	SPACER, ELECTRICAL RECEPTACLE	5199	3
R R R R R R R R R R	146	SCN001	CONNECTOR, POWER (V26742) (OPTIONAL 138-102 (V26742))	5199	1
R R R R R R R R R R	146	138-102	CONNECTOR, POWER (V26742) (OPTIONAL TO SCN001 V26742))	5199	1
R R R R R R R R R R	147	69-46122-2	BASEPLATE, (ALTERED FROM; BACP10U0262G)	5199	1
R R R R R R R R R R	148	69-51352-7	MODULE ASSY, P13Y SMOKE DETECTOR (INSTRUMENTS ONLY)	5199	1
R R R R R R R R R R	149	10-61437-323G	LIGHTPLATE ASSY, (SEE CHAPTER 33 FOR BREAKDOWN) ATTACHING PARTS	5199	1
R R R R R R R R R R		SFSW6C5DB	SCREW, (V12324)	5199	2
R R R R R R R R R R	150	BACC45FN12-12P9	CONNECTOR ATTACHING PARTS	5199	1
R R R R R R R R R R		BACS12CB04-5	SCREW	5199	3
R R R R R R R R R R		BACN10NW1	NUT	5199	3
R R R R R R R R R R	151	NAS514P632-5	SCREW	5199	3
R R R R R R R R R R	152	66-13580-1	PLATE, ELECTRICAL RECEPTACLE SUPPORT. ATTACHING PARTS	5199	1
R R R R R R R R R R		BACS12CB06-5	SCREW	5199	3
R R R R R R R R R R		MS35337-41	WASHER	5199	3
R R R R R R R R R R	154	66-13524-2	SPACER	5199	3
R R R R R R R R R R	155	SCN001	CONNECTOR, POWER (V26742)	5199	1
R R R R R R R R R R	156	69-51352-8	BASEPLATE, (ALTERED FROM; BACP10U0225G)	5199	1
R R R R R R R R R R	157	69-46124-4	MODULE ASSY, P13U WINDOW HEAT (INSTRUMENTS ONLY)	5199	1
R R R R R R R R R R	158	10-61437-218G	LIGHTPLATE ASSY, (SEE CHAPTER 33 FOR BREAKDOWN) ATTACHING PARTS	5199	1
R R R R R R R R R R		SFSW6C5DB	SCREW, (V12324)	5199	2

MISSING ITEM NUMBERS ARE NOT APPLICABLE



PARTS CATALOG

FIGURE & ITEM NO.	MANUFACTURER'S PART NUMBER	1 2 3 4 5 6 7	NOMENCLATURE	EFF FROM TO	UNITS PER ASSY
R 42	159 NAS514P632-5		SCREW	5199	3
R 160	BACC45FN18-31P7		CONNECTOR (OPT MS24264R18B31PNR OR M83723-72R1831PN)	5199	1
R 160	MS24264R18B31PNR		CONNECTOR (OPTIONAL TO BACC45FN18-31P7)	5199	1
R 160	M83723-72R1831PN		CONNECTOR (OPTIONAL TO BACC45FN18-31P7)	5199	1
R	BACS12CB04-5		ATTACHING PARTS		
R	BACN10NW1		SCREW	5199	3
R			NUT	5199	3
R 161	69-46129-1		PLATE, ELECTRICAL RECEPTACLE SUPPORT.	5199	1
R	BACS12CB06-5		ATTACHING PARTS		
R	MS35337-41		SCREW	5199	3
R			WASHER	5199	3
R 162	66-13524-4		SPACER, ELECTRICAL RECEPTACLE	5199	3
R 163	SCN001		CONNECTOR, POWER (V26742) (OPTIONAL 138-102 (V26742))	5199	1
R 163	138-102		CONNECTOR, POWER (V26742) (OPTIONAL TO SCN001 (V26742))	5199	1
R 164	69-46124-2		BASEPLATE ASSY, (ALTERED FROM; BACP10U0262G)	5199	1
R 165	69-50695-25		MODULE ASSY, P13Z PROBE HEATERS (INSTRUMENTS ONLY) (DELETED BY SB 3363)	5199	1
R 165	65C21713-56		MODULE ASSY, P13Z PROBE HEATERS (INSTRUMENTS ONLY) (ADDED BY SB 3363)	5199	1
R 166	10-61437-226G		LIGHTPLATE ASSY, PROBE HEATERS (DELETED BY SB 3363)	5199	1
R 166	10-61437-388G		LIGHTPLATE ASSY, PROBE HEATERS (ADDED BY SB 3363)	5199	1
R	SFSW6C5DB		ATTACHING PARTS		
R			SCREW, (V12324)	5199	2
R 167	NAS514P632-5		SCREW	5199	3
R 168	BACC45FN18-31P		CONNECTOR (OPT MS24264R18B31PNR OR M83723-72R1831PN)	5199	1
R 168	MS24264R18B31PNR		CONNECTOR (OPTIONAL TO BACC45FN18-31P)	5199	1
R 168	M83723-72R1831PN		CONNECTOR (OPTIONAL TO BACC45FN18-31P)	5199	1
R	BACS12CB04-5		ATTACHING PARTS		
R	BACN10NW1		SCREW	5199	3
R			NUT	5199	3
R 169	69-46129-1		PLATE	5199	1
R	BACS12CB06-5		ATTACHING PARTS		
R	MS35337-41		SCREW	5199	3
R			WASHER	5199	3
R 170	66-13524-1		SPACER, ELECTRICAL RECEPTACLE	5199	3
R 171	138-102		CONNECTOR, POWER (V26742) (OPTIONAL TO SCN001 (V26742))	5199	1
R 171	SCN001		CONNECTOR, POWER (V26742) (OPTIONAL TO 800000121-1 (V05617))	5199	1
R 171	800000121-1		CONNECTOR, POWER (V05617) (OPTIONAL SCN001 (V26742))	5199	1
R 172	69-50695-37		BASEPLATE, (ALTERED FROM; BACP10U0375G)	5199	1
R 173	69-46126-37		MODULE ASSY, P13W RAIN REPELLENT (INSTRUMENTS ONLY)	5199	1
R	SFSW6C5DB		ATTACHING PARTS		
R			SCREW, (V12324)	5199	2
R 174C	10-61437-370G		LIGHTPLATE ASSY, (SEE CHAPTER 33 FOR BREAKDOWN)	5199	1
R	SFSW6C5DL10GY		ATTACHING PARTS		
R			SCREW, (V12324)	5199	2
R 175	NAS514P632-5		SCREW	5199	3
R 176	BACC45FN18-14P		CONNECTOR	5199	1
R	BACS12CB04-5		ATTACHING PARTS		
R	BACN10NW1		SCREW	5199	3
R			NUT	5199	3
R 177	69-46129-1		PLATE, ELECTRICAL RECEPTACLE SUPPORT.	5199	1

MISSING ITEM NUMBERS ARE NOT APPLICABLE



PARTS CATALOG

FIGURE & ITEM NO.	MANUFACTURER'S PART NUMBER	NOMENCLATURE							EFF FROM TO	UNITS PER ASSY
		1	2	3	4	5	6	7		
42	BACS12CB06-5	ATTACHING PARTS							5199	3
	MS35337-41	. . . SCREW							5199	3
		. . . WASHER								
		-----*								
178	66-13524-1	. . . SPACER, ELECTRICAL RECEPTACLE							5199	3
178	66-13524-2	. . . SPACER, ELECTRICAL RECEPTACLE							5199	3
179	SCN001	. . . CONNECTOR, POWER (V26742)							5199	1
		. FOR REFERENCE TO OTHER MODULE DETAILS, SEE NHA.							5199	
	65-86177-3	. STRUCTURE INSTL, P13 PILOTS OVERHEAD (SEE 25-1, FIG. 2E, ITEM 91A AND FIG. 2J, ITEM 40)							5199	RF
281	NAS1104-44	. . . BOLT							5199	1
282	NAS43DD4-179	. . . SPACER							5199	1
283	BACN10JC4	. . . NUT							5199	1
284	69-46162-5	. . . STRAP							5199	1
285	NAS1303-5	. . . BOLT							5199	2
286	NAS43DD4-14	. . . SPACER							5199	2
289	65-58784-28	. . . SUPPORT ASSY.							5199	1
290	BACS21X4R	. . . STUD ASSY							5199	2
291	BACG20X2	. . . GROMMET							5199	2
292	BACR12X1	. . . RING							5199	2
293	BACC13Y3-30	. . . CABLE ASSY.							5199	2
294	69-56554-1	. . . PIN							5199	2
295	BACS22A58	. . . STRIP							5199	2
296	BACS22A48	. . . STRIP							5199	2
297	BACS22A6	. . . STRIP							5199	2
298	BACS22A3	. . . STRIP							5199	1
299	65-58784-3	. . . STRIP							5199	2
300	65-58784-13	. . . STRIP							5199	2

MISSING ITEM NUMBERS ARE NOT APPLICABLE

BOEING *707*
Intercontinental 
PARTS CATALOG

SECTION 04
NAVIGATORS PANEL

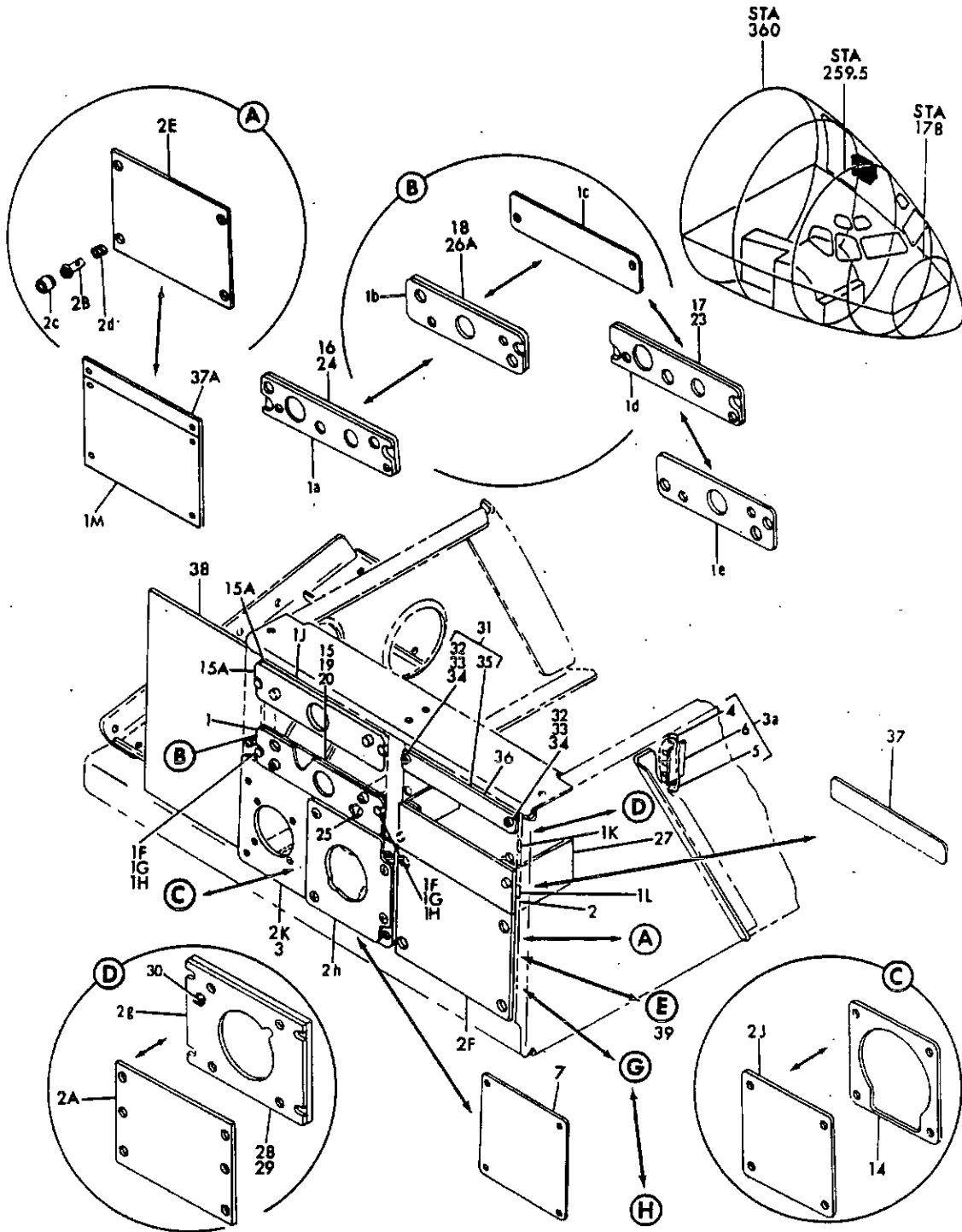


FIGURE 2. RACK INSTL, NAVIGATORS EQUIPMENT (INSTRUMENTS ONLY) (SHEET 1)

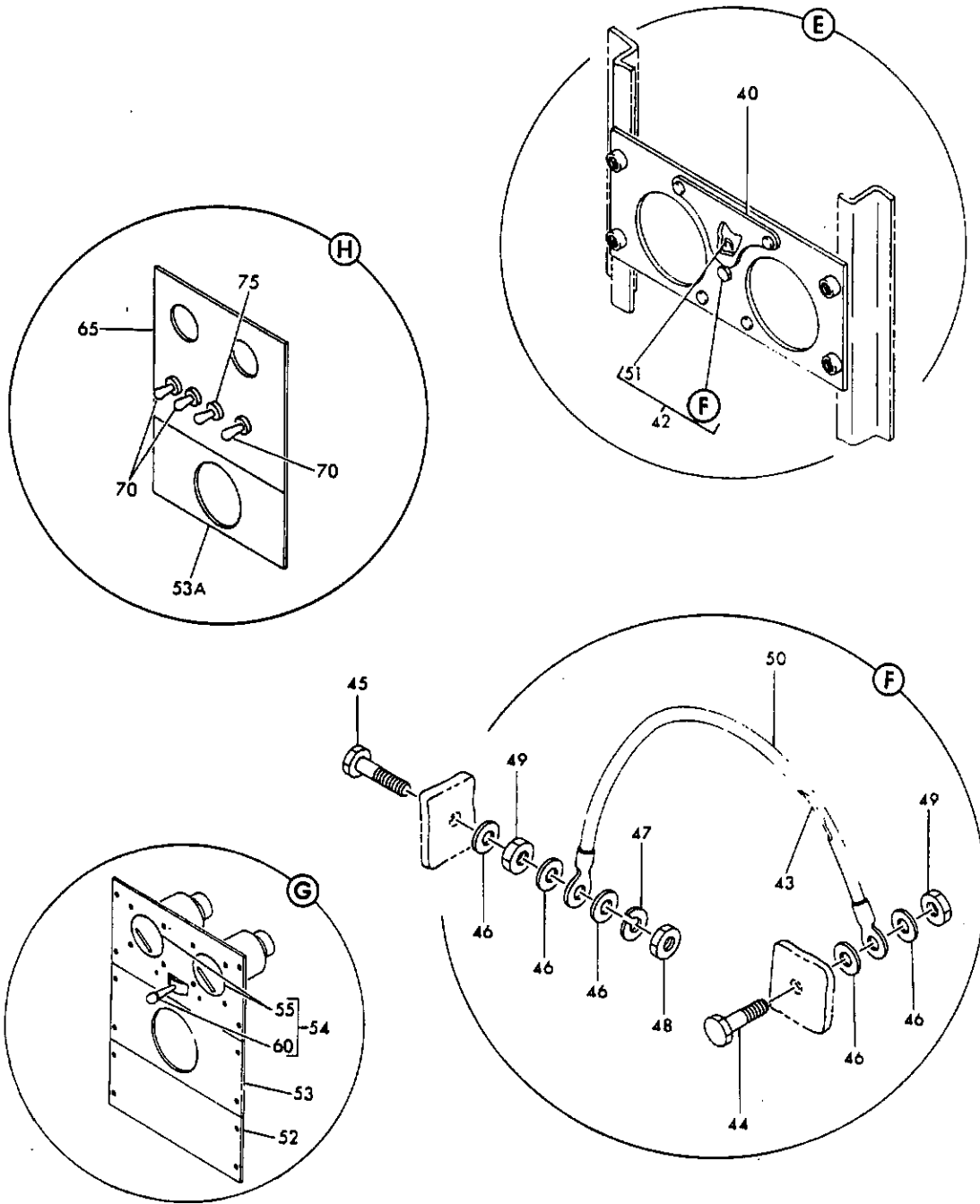


FIGURE 2 RACK INSTL, NAVIGATORS EQUIPMENT (INSTRUMENTS ONLY) (SHEET 2)

NOV 21/89

31-04-2

DETAILED PARTS LIST
31-04-2
PAGE 1

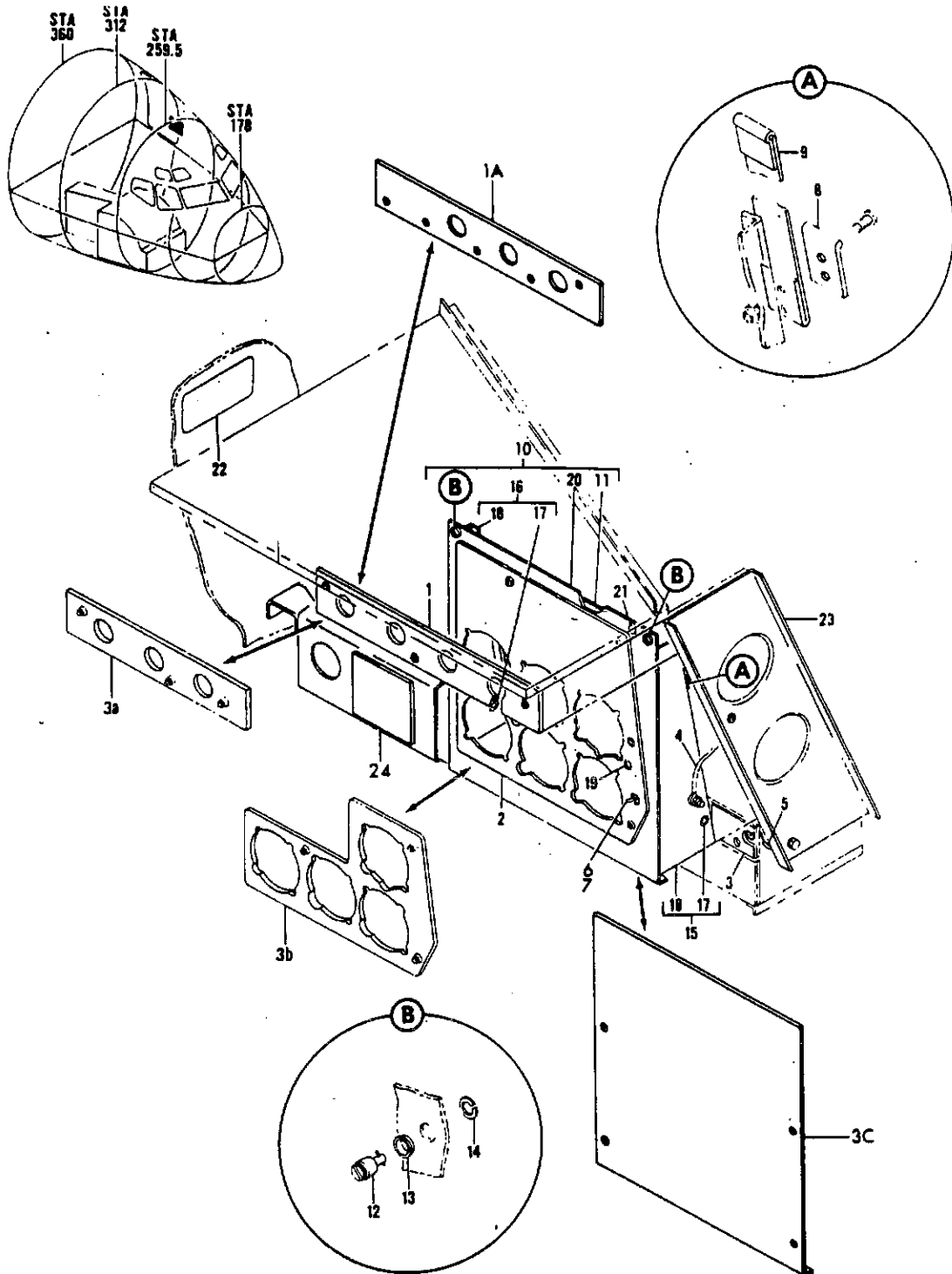


FIGURE 14A. COVE INSTL, PASSENGER CABIN (EQUIPMENT/FURNISHINGS ONLY)

BOEING

707

PARTS CATALOG (MAINTENANCE)

FIGURE & ITEM NO.	MANUFACTURER'S PART NUMBER	NOMENCLATURE							EFF FROM TO	UNITS PER ASSY	
		1	2	3	4	5	6	7			
R R R	4A	65-40548-1	EQUIPMENT INSTL, NAVIGATORS PANEL (INSTRUMENTS ONLY). (DELETED BY RAF MOD 7211.019-4) (SEE 25-1, FIG. 1K, ITEM 22)							0150	RF
	3	10-60424-2202	. LIGHTPLATE ASSY, NAVIGATORS PUSH TO TALK DETACHABLE CIRCUIT (SEE CHAPTER 33 FOR BREAKDOWN)							0150	1
		AN51586R5	. ATTACHING PARTS								
		BACW10AJ1	. SCREW, (USED WITH 10-60424-210, 202 AND 2202)							0150	5
		AN960D6	. WASHER.							0150	10
			. WASHER.							0150	10
	3A	10-60424-2295	. LIGHTPLATE ASSY, NAVIGATORS SWITCH DETACHABLE CIRCUIT (SEE CHAPTER 33 FOR BREAKDOWN)							0150	1
	3B	10-60424-2294	. LIGHTPLATE ASSY, NAVIGATORS INSTRUMENT PANEL. DETACHABLE CIRCUIT (SEE CHAPTER 33 FOR BREAKDOWN)							0150	1
			. ATTACHING PARTS								
		SFSW6C5DB	. SCREW							0150	6
		BACN10PA06-12	. FASTENER.							0150	6
	4	MS25083-28B6	. JUMPER ASSY							0150	1
			. ATTACHING PARTS								
		BACS12CB3-7	. SCREW							0150	1
		MS35338-43	. WASHER.							0150	1
		AN960D10L	. WASHER.							0150	4
		NAS679A3W	. NUT							0150	1
	5	MS25083-28B3	. JUMPER ASSY							0150	1
			. ATTACHING PARTS								
		BACS12CB3-9	. SCREW							0150	1
	MS35338-43	. WASHER.							0150	1	
	AN960D10L	. WASHER.							0150	4	
	MS20341-10	. NUT							0150	2	
	NAS679A3W	. NUT							0150	3	
8	65-40548-15	. SPACER, NAVIGATORS PANEL EQUIPMENT STOP STRAP							0150	1	
9	66-1923-2	. STRAP, PANEL STOP							0150	1	
		. ATTACHING PARTS									
	NAS603-8P	. SCREW							0150	2	
	AN690D10L	. WASHER.							0150	2	
	NAS679A3W	. NUT							0150	2	
10	65-40548-23	. PANEL ASSY.							0150	1	
		. ATTACHING PARTS									
	AN4-5A	. BDLT.							0150	2	
	AN960D416L	. WASHER.							0150	2	
	NAS43-4-11	. SPACER.							0150	2	
	MS20392-2C65	. PIN							0150	1	
11	65-40548-16	. STRIP, NAVIGATORS PANEL EQUIPMENT INSULATING.							0150	1	
12	BACS21X6	. STUD ASSY							0150	2	
13	BACG20X2	. GROMMET							0150	2	
14	BACR12X1	. RING							0150	2	
15	65-40548-3	. BRACKET ASSY, NAVIGATORS PANEL EQUIPMENT.							0150	1	
16	65-40548-4	. BRACKET ASSY, NAVIGATORS PANEL EQUIPMENT.							0150	1	
		. ATTACHING PARTS									
	NAS514P1032-5	. SCREW							0150	4	
	AN960D10L	. WASHER.							0150	4	
	NAS679A3W	. NUT							0150	4	
17	BACB28B6-175	. BUSHING							0150	1	
18	65-40548-5	. BRACKET, NAVIGATORS PANEL EQUIPMENT (USED ON. 65-40548-3)							0150	1	
18	65-40548-6	. BRACKET, NAVIGATORS PANEL EQUIPMENT (USED ON. 65-40548-4)							0150	1	
		. ATTACHING PARTS									
	NAS603-6P	. SCREW							0150	2	
	AN690D10L	. WASHER.							0150	2	
	NAS679A3W	. NUT							0150	2	
19	107A	. CONNECTOR, POWER (VO4211) (OPTIONAL SCN001 (V26742))							0150	1	
19	SCN001	. CONNECTOR, POWER (V26742) (OPTIONAL TO 107A (VO4211))							0150	1	
20	65-40548-21	. PANEL							0150	1	

MISSING ITEM NUMBERS ARE NOT APPLICABLE

RAF
NOV 21/01

31-04-4A

DETAILED PARTS LIST
31-04-4A
PAGE 1

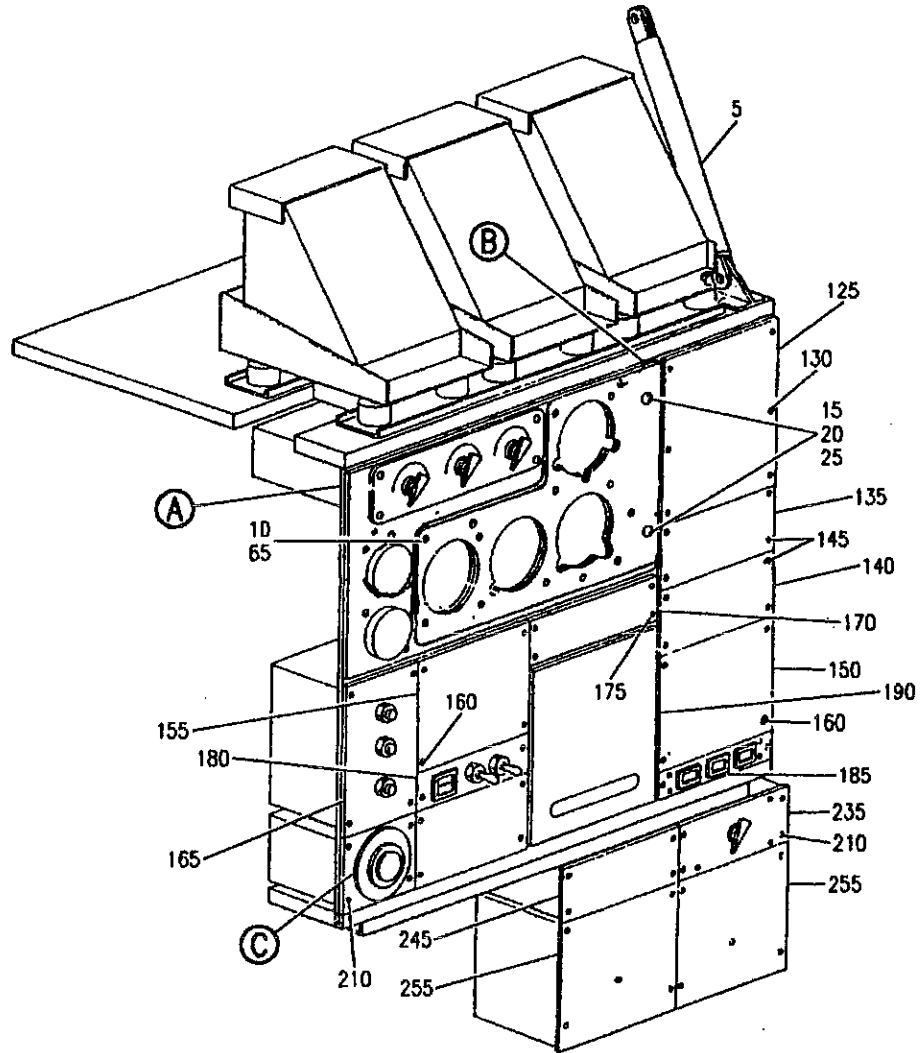
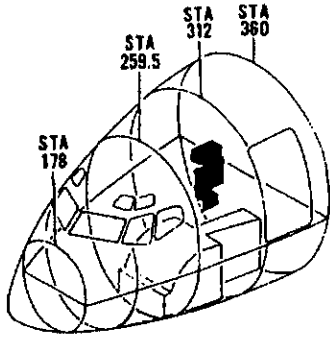
BOEING

707
PARTS CATALOG (MAINTENANCE)

FIGURE & ITEM NO.	MANUFACTURER'S PART NUMBER	NOMENCLATURE							EFF FROM TO	UNITS PER ASSY
		1	2	3	4	5	6	7		
R R R R R R R R R	4A 21	107A	.	.	CONNECTOR, POWER (V04211)	.	.	.	0150	1
					(OPTIONAL SCN001 (V26742))					
		21	SCN001	.	.	CONNECTOR, POWER (V26742)	.	.	0150	1
					(OPTIONAL TO 107A (V04211))					
		22	BACM10W42-11A	.	.	MARKER-ALUMINUM FDIL, WEIGHT.	.	.	0150	1
		23	65-17017	.	.	STRUCTURE INSTL, NAVIGATORS PANEL SUPPORT (SEE FIG.	.	.	0150	1
					8)					
		210	PFSC35-38A	.	.	STUD, (V72794).	.	.	0150	4
		215	66-9194	.	.	COVER	.	.	0150	1
		220	66-1755	.	.	VENT.	.	.	0150	1
		225	66-9419	.	.	PLENUM.	.	.	0150	1
		230	391-25-10-74458-003	.	.	PANEL, (VZ0031)	.	.	0150	1
		235	391-33-10-74459-001	.	.	PANEL ASSY, ANNUNCIATOR DIMMER (VZ0031) (ADDED BY	.	.	0150	1
				RAF MDD 7211.019-4) (SEE 93-05 FIG. 63A FOR						
				BREAK DOWN)						
	240	PFSC35-38A	.	.	STUD, (V72794).	.	.	0150	7	
			.	.	FOR REFERENCE TO OTHER EQUIPMENT DETAILS, SEE NHA	.	.	0150		

MISSING ITEM NUMBERS ARE NOT APPLICABLE

BOEING
707
PARTS CATALOG (MAINTENANCE)



A 3104004C SH1 1 REV 272

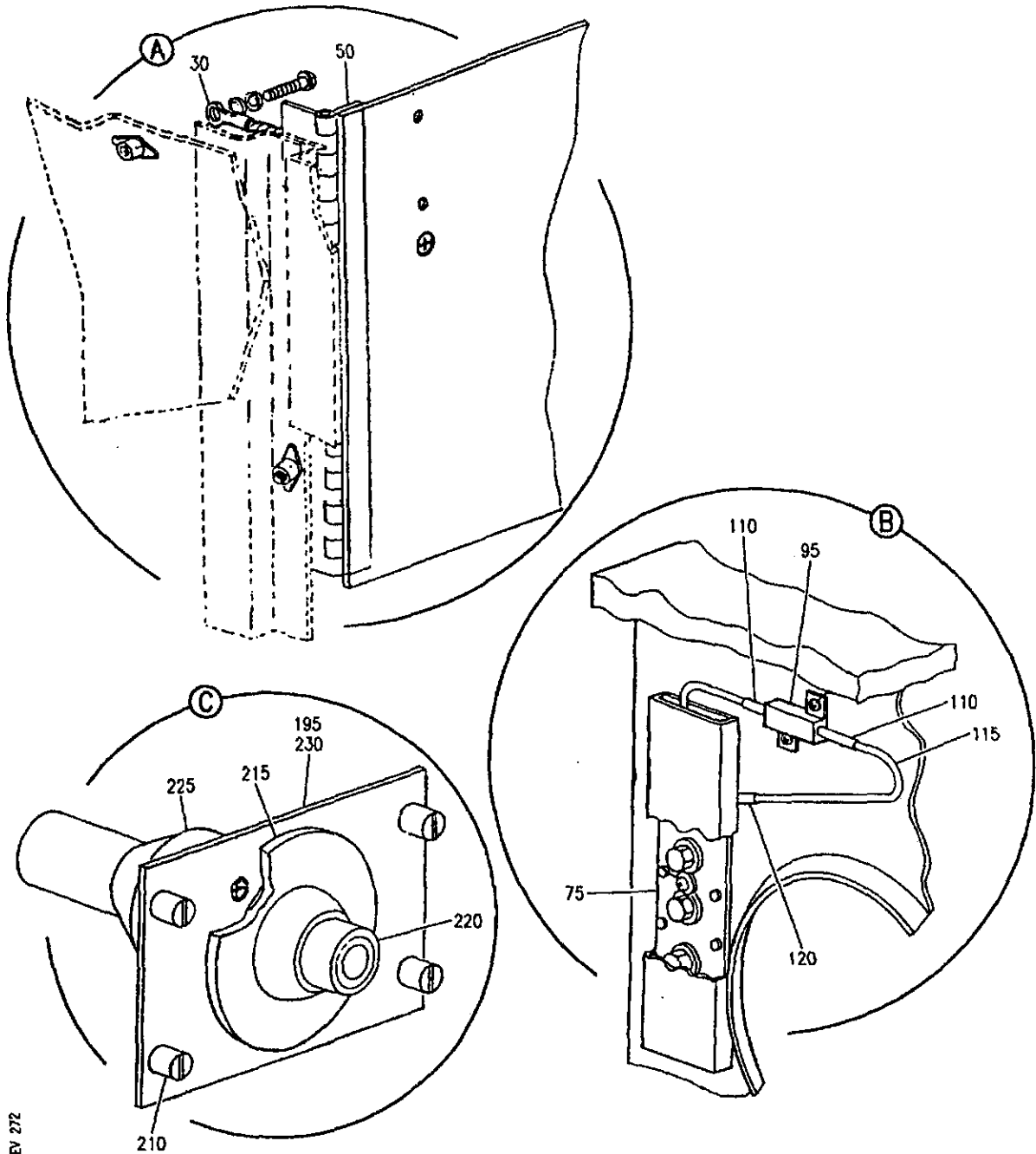
INSTRUMENTS- NAVIGATORS PANEL
FIGURE 4C. PANEL INSTL. MISSION CO-ORD. STATION (INSTRUMENT ONLY) (SHEET 1)

DETAILED PARTS LIST
31-04-4C
PAGE 0

31-04-4C

NOV 21/01

BOEING
707
PARTS CATALOG (MAINTENANCE)



A 3104004C SHT 2 REV 272

INSTRUMENTS- NAVIGATORS PANEL
FIGURE 4C. PANEL INSTL, MISSION CO-ORD, STATION (INSTRUMENT ONLY) (SHEET 2)

NOV 21/01

31-04-4C

DETAILED PARTS LIST
31-04-4C
PAGE 1

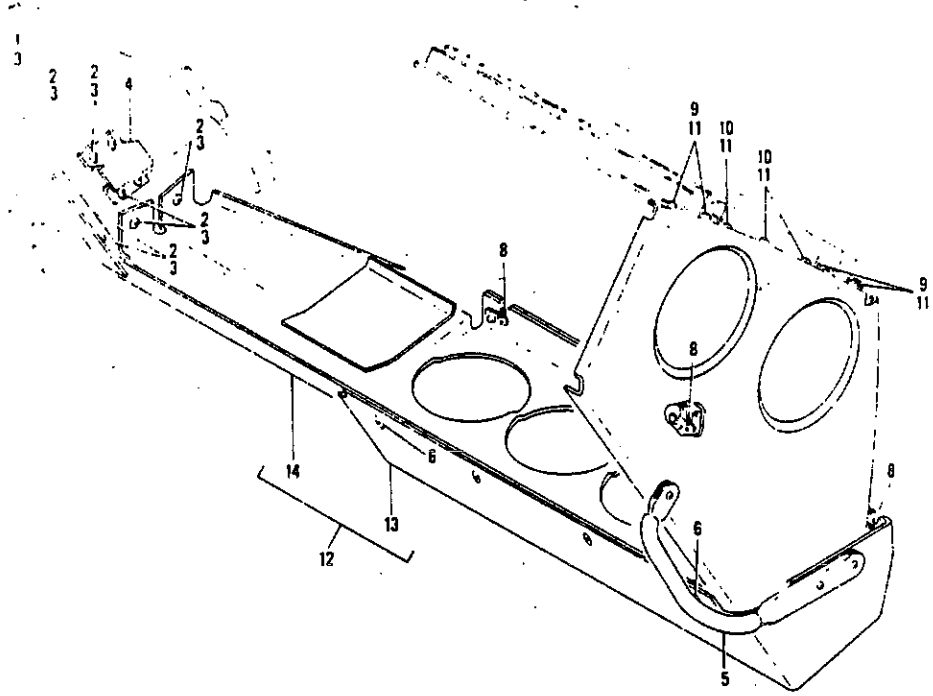
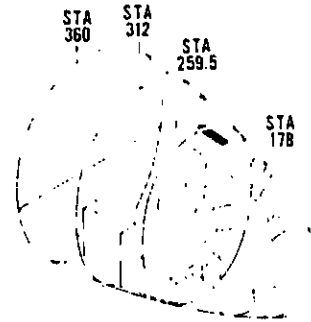


FIGURE 7. SUPPORT INSTL, NAVIGATORS PANEL



PARTS CATALOG

FIGURE & ITEM NO.	MANUFACTURER'S PART NUMBER	NOMENCLATURE							EFF FROM TO	UNITS PER ASSY		
		1	2	3	4	5	6	7				
R R R R R R R R R R R R R R R	7	65-2949	SUPPORT INSTL, NAVIGATORS PANEL (SEE 25-1, FIG. 1, ITEM 19, 25-1, FIG. 1B, ITEM 25, 25-1, FIG. 1C, ITEM 25, 25-1, FIG. 1D, ITEM 23, 25-1, FIG. 1E, ITEM 22, 25-1, FIG. 1F, ITEM 19, 25-1, FIG. 1G, ITEM 22, 25-1, FIG. 1H, ITEM 20, 25-1, FIG. 1J, ITEM 20, 25-1, FIG. 2B, ITEM 19, 25-1, FIG. 2C, ITEM 20, 25-1, FIG. 2D, ITEM 16, 25-1, FIG. 2E, ITEM 7, 25-1, FIG. 2F, ITEM 19, 25-1, FIG. 2G, ITEM 19 AND 25-1, FIG. 2H, ITEM 19)							5199	RF	
		1	AN3-4A	. BOLT.							5199	1
		2	NAS603-6P	. SCREW							5199	9
		3	NAS679A3W	. NUT							5199	10
		4	65-2949-1B	. SECTION ASSY, NAVIGATORS PANEL SUPPORT HAT.							5199	1
		9	NAS603-7P	. SCREW							5199	4
		10	NAS603-7P	. SCREW							5199	3
		11	BACW10J3	. WASHER.							5199	7
		12	65-2949-3B	. SUPPORT ASSY.							5199	1
		14	69-9254-9	. CHANNEL ASSY.							5199	1
				ATTACHING PARTS								
			AN3-3A	. BOLT.							5199	3
			NAS679A3W	. NUT							5199	3
				-----*								

MISSING ITEM NUMBERS ARE NOT APPLICABLE

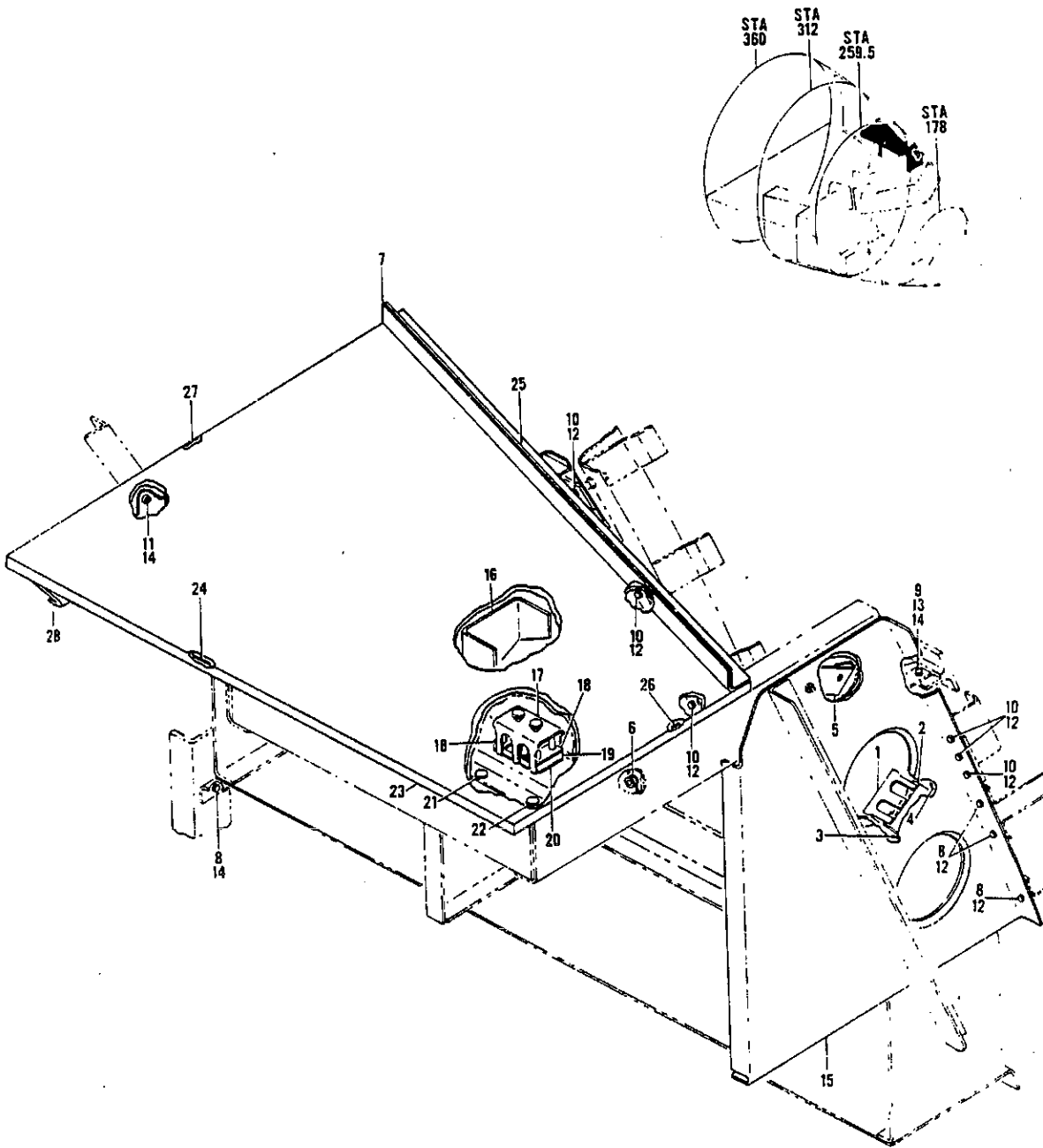


FIGURE 8. STRUCTURE INSTL, NAVIGATORS PANEL SUPPORT

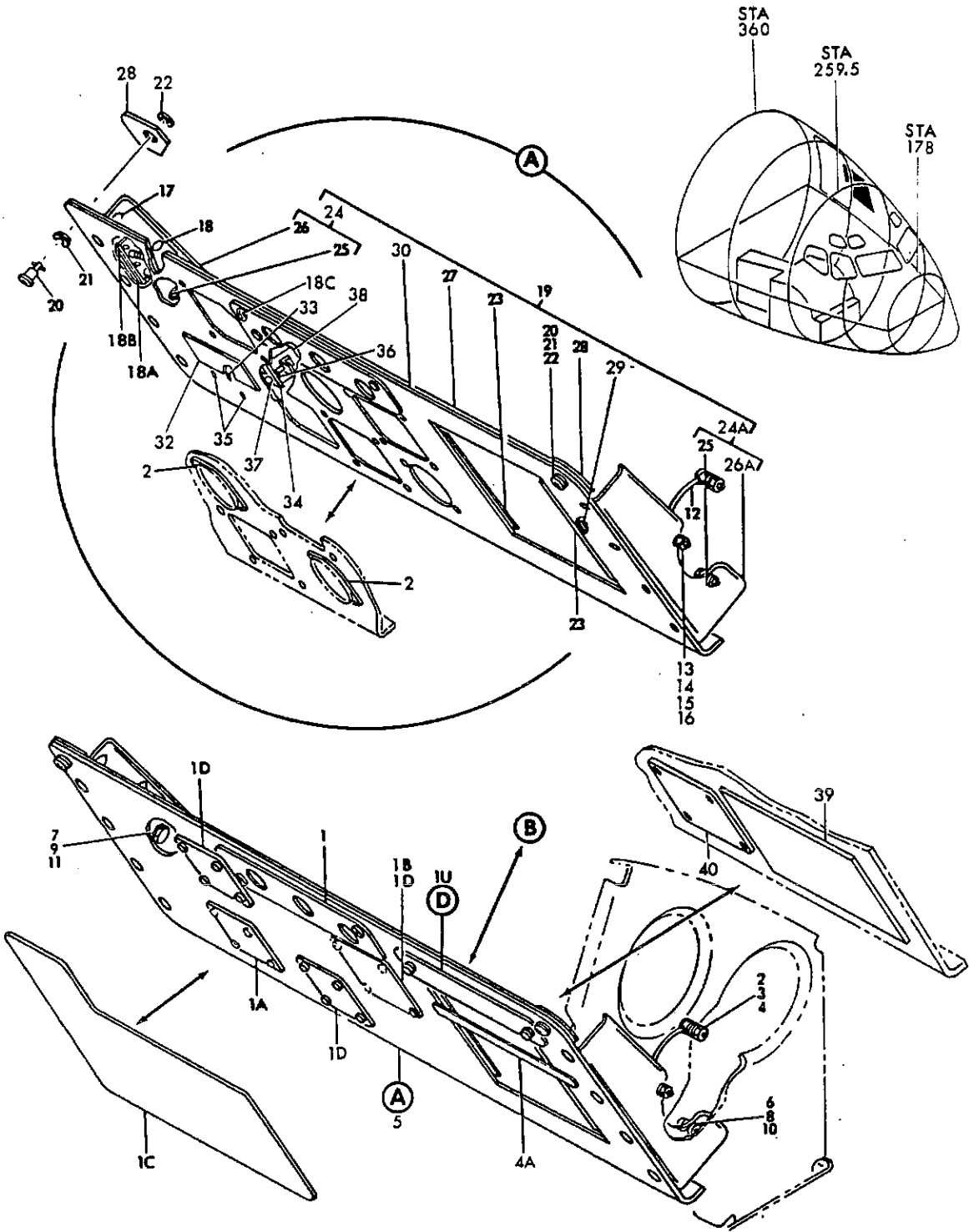


FIGURE 33. PANEL INSTL, NAVIGATORS (INSTRUMENTS ONLY)

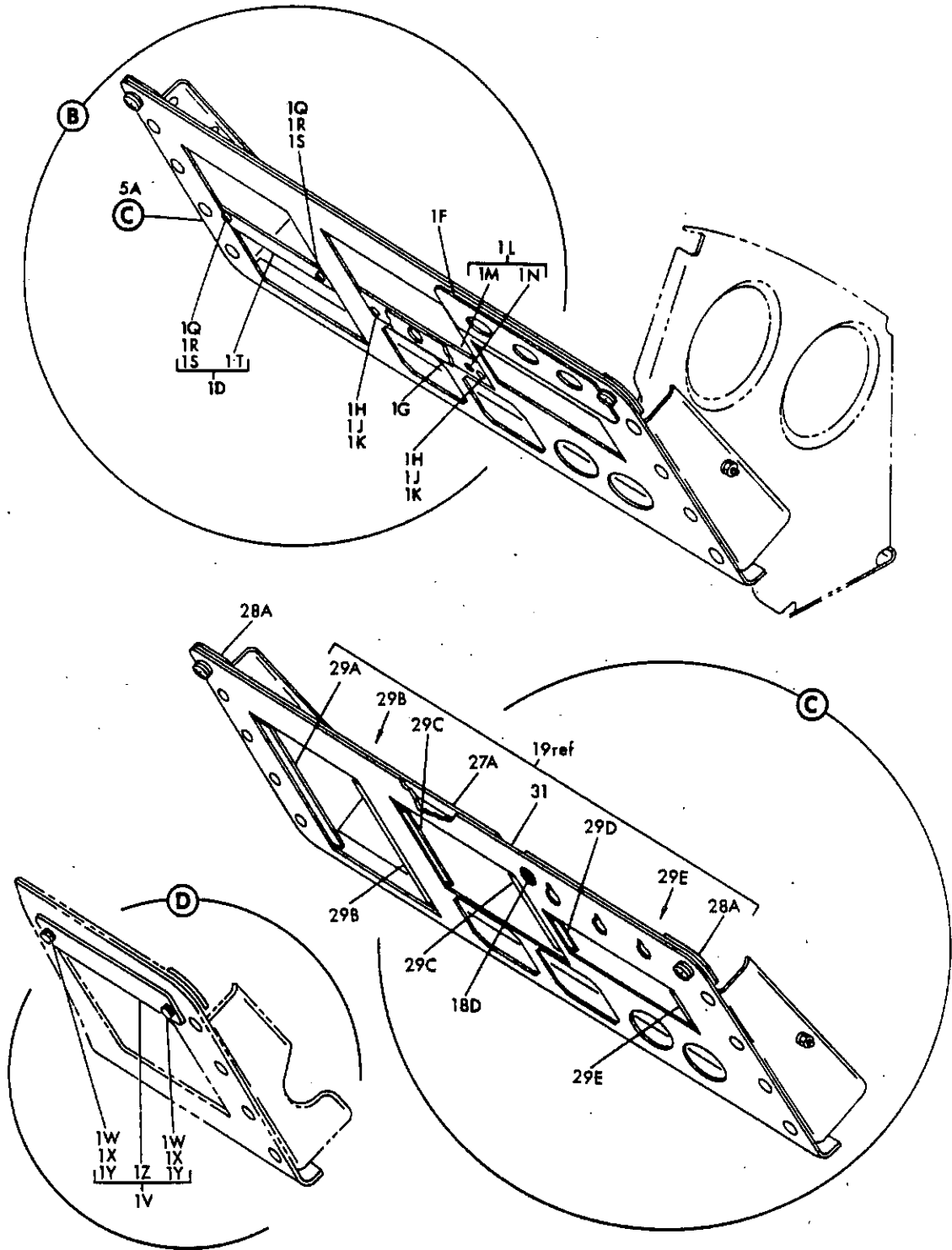


FIGURE 33. PANEL INSTL, NAVIGATORS (INSTRUMENTS ONLY) (SHEET 2)

31-04-33



PARTS CATALOG

FIGURE & ITEM NO.	MANUFACTURER'S PART NUMBER	NOMENCLATURE							EFF FROM TO	UNITS PER ASSY
		1	2	3	4	5	6	7		
33	50-5559	PANEL INSTL, NAVIGATORS (INSTRUMENTS ONLY) (SEE 25-1, FIG. 1E, ITEM 20, 25-1, FIG. 1F, ITEM 17, 25-1, FIG. 2D, ITEM 15 AND 25-1, FIG. 2E, ITEM 7A)							5199	RF
1	10-61437-802G	. LIGHTPLATE ASSY, NAVIGATORS SWITCH PANEL DETACHABLE .							5199	1
		CIRCUIT (SEE CHAPTER 33 FOR BREAKDOWN)								
		ATTACHING PARTS								
	SFSW6C5010GY	. SCREW, (V12324)							5199	2
	BACN10PA06-12	. NUT							5199	2
1D	69-50436-2	. PLATE, COVER.							5299	3
		ATTACHING PARTS								
	MS35214-40	. SCREW							5299	4
	BACN10JC08	. NUT							5299	4
1E	63-10103-2	. PLATE, COVER.							5199	2
		ATTACHING PARTS								
	MS35214-40	. SCREW							5199	2
	BACN10JC08	. NUT							5199	2
2A	NAS603-6	. SCREW							5199	1
3	AN960D10L	. WASHER							5199	2
4	NAS679A3W	. NUT							5199	1
5	50-5559-179	. UNIT ASSY, (INSTRUMENTS ONLY)							5199	1
		ATTACHING PARTS								
6	AN4-6A	. BOLT							5199	1
7	AN4-7A	. BOLT							5199	1
8	NAS43HT4-17	. SPACER							5199	1
9	NAS43HT4-21	. SPACER							5199	1
10	AN960D416L	. WASHER							5199	1
11	AN960D416	. WASHER							5199	1
12	MS25083-2886	. JUMPER ASSY							5199	1
		ATTACHING PARTS								
13	NAS603-8	. SCREW							5199	1
14	AN960D10L	. WASHER							5199	2
15	AN341-10	. NUT							5199	1
16	NAS679A3W	. NUT							5199	1
17	BACM10N00-2PP	. MARKER, 1 ALUMINUM FOIL							5199	1
18	BACM10N00-2AAT	. MARKER, 3 ALUMINUM FOIL							5199	1
18A	MS25226-4-2	. BUS							5199	1
18B	MS27212-2-3	. TERMINAL BLOCK ASSY							5199	1
		ATTACHING PARTS								
	NAS514P440-5	. SCREW							5199	2
	NAS679A04W	. NUT							5199	2
18C	SCN001	. CONNECTOR, POWER (V26742)							5199	1
19	50-5559-178	. PANEL ASSY							5199	1
20	BACS21X8R	. STUD ASSY							5199	2
21	BACG20X2	. GROMMET							5199	2
22	BACR12X1	. RING							5199	2
23	BACS22A22	. STRIP							5199	2
24	50-5559-31	. BRACKET ASSY, (LH)							5199	1
24A	50-5559-32	. BRACKET ASSY, (RH)							5199	1
		ATTACHING PARTS								
	NAS514P1032-6	. SCREW							5199	4
	NAS679A3W	. NUT							5199	4
25	BACB28B6-175	. BUSHING							5199	1
26	50-5559-5	. BRACKET, (LH ONLY)							5199	1
26A	50-5559-6	. BRACKET, (RH ONLY)							5199	1
27	50-5559-7	. STRIP, INSULATING							5199	1
28	50-5559-8	. STRIP, INSULATING							5199	2
29	50-5559-12	. SUPPORT, ANGLE							5199	1
		ATTACHING PARTS								
	MS20426D5	. RIVET							5199	8
30	50-5559-177	. PANEL							5199	1
		. FOR REFERENCE TO OTHER PANEL DETAILS, SEE NHA							5199	

MISSING ITEM NUMBERS ARE NOT APPLICABLE

BOEING *707*
Intercontinental 
PARTS CATALOG

SECTION 05
MISCELLANEOUS

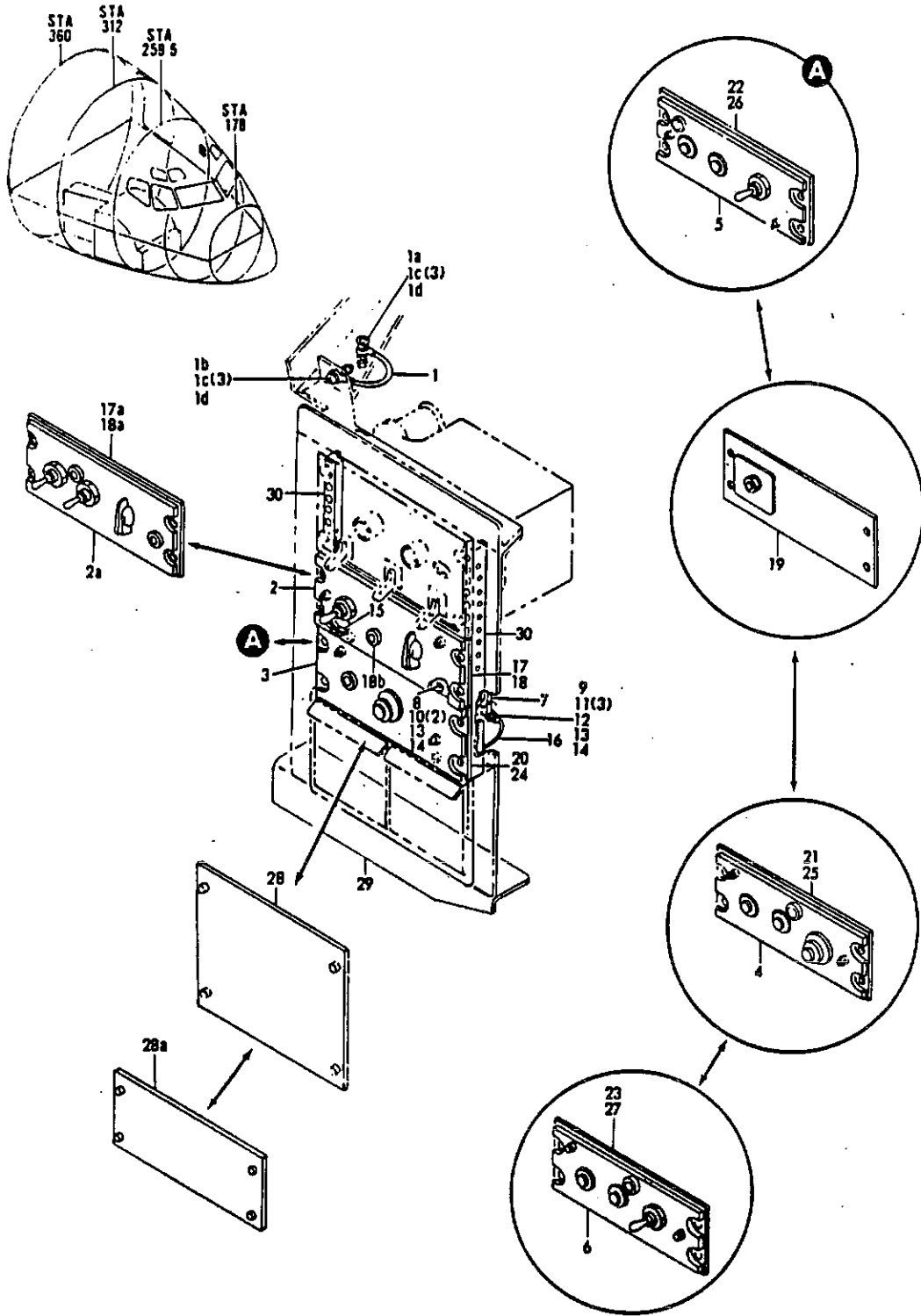


FIGURE 2. PANEL INSTL, OBSERVER AUXILIARY EQUIPMENT (INSTRUMENTS ONLY)

DETAILED PARTS LIST
31-05-2
PAGE 0

31-05-2

NOV 21/90



PARTS CATALOG

FIGURE & ITEM NO.	MANUFACTURER'S PART NUMBER	NOMENCLATURE							EFF FROM TO	UNITS PER ASSY	
		1	2	3	4	5	6	7			
2	50-11388	PANEL INSTL, OBSERVER AUXILIARY EQUIPMENT (INSTRUMENTS ONLY) (SEE 25-1, FIG. 1, ITEM 4, 25-1, FIG. 1B, ITEM 4, 25-1, FIG. 1C, ITEM 4, 25-1, FIG. 1D, ITEM 4, 25-1, FIG. 1E, ITEM 4, 25-1, FIG. 1F, ITEM 2, 25-1, FIG. 1G, ITEM 4, 25-1, FIG. 1H, ITEM 4, 25-1, FIG. 1J, ITEM 4, 25-1, FIG. 1K, ITEM 2, 25-1, FIG. 2B, ITEM 4, 25-1, FIG. 2C, ITEM 4, 25-1, FIG. 2D, ITEM 2, 25-1, FIG. 2E, ITEM 89, 25-1, FIG. 2F, ITEM 4, 25-1, FIG. 2G, ITEM 4 AND 25-1, FIG. 2H, ITEM 4)								RF	
	1 MS25083-2BB4	. JUMPER ASSY								1	
	1A AN520-10RB	. ATTACHING PARTS									
	1B AN520-10RB	. SCREW								1	
	1C AN960D10L	. SCREW								1	
	1D NAS679A3W	. WASHER								6	
		. NUT								2	
R	2	10-61437-804G	. LIGHTPLATE ASSY, OBSERVER LIGHTING PANEL (SEE CHAPTER 33 FOR BREAKDOWN)							5199	1
R		SFSW6C5DG	. ATTACHING PARTS								
R			. SCREW, (V12324)							5199	2
R	2A	10-60424-221	. LIGHTPLATE ASSY, OBSERVER LIGHTING PANEL DETACHABLE .							0150	1
R			. CIRCUIT (SEE CHAPTER 33 FOR BREAKDOWN)								
R			. ATTACHING PARTS								
R		AN515B6R7	. SCREW							0150	2
R		AN960D6	. WASHER							0150	2
R		BACW10AJ1	. WASHER							0150	2
	7	MS25083-2BB6	. JUMPER ASSY								1
	8	NAS514P1032-B	. ATTACHING PARTS								
	9	BACS12CB3-11	. SCREW								1
	10	AN960D10L	. SCREW								1
	11	AN960D10L	. WASHER, (USED WITH NAS514P1032-B)								2
	12	MS35338-43	. WASHER, (USED WITH BACS12CB3-11)								3
	13	MS20341-10	. WASHER, (USED WITH BACS12CB3-11)								1
	14	NAS679A3W	. NUT								2
			. NUT								2
R	17	50-11388-127	. PANEL ASSY, (INSTRUMENTS ONLY)							5199	1
R	17A	50-11388-91	. PANEL ASSY, OBSERVER AUXILIARY EQUIPMENT (INSTRUMENTS ONLY)							0150	1
R	18	50-11388-126 BASEPLATE ASSY, (ALTERED FROM BACP10U0225G)							5199	1
R	18A	50-11388-76 PLATE ASSY, OBSERVER AUXILIARY EQUIPMENT PANEL BASE (ALTERED FROM BACP10C4)							0150	1
R	18B	SCN001 CONNECTOR, POWER (V26742)							0150	1
R		 (OPTIONAL 107A (V04211))								
R	18B	107A CONNECTOR, POWER (V04211)							0150	1
R		 (OPTIONAL TO SCN001 (V26742))								
R	29	50-11388-112	. SUPPORT ASSY.								1
R	30	BACS22A24	. STRIP								2
			. FOR REFERENCE TO OTHER PANEL DETAILS, SEE NHA								

MISSING ITEM NUMBERS ARE NOT APPLICABLE

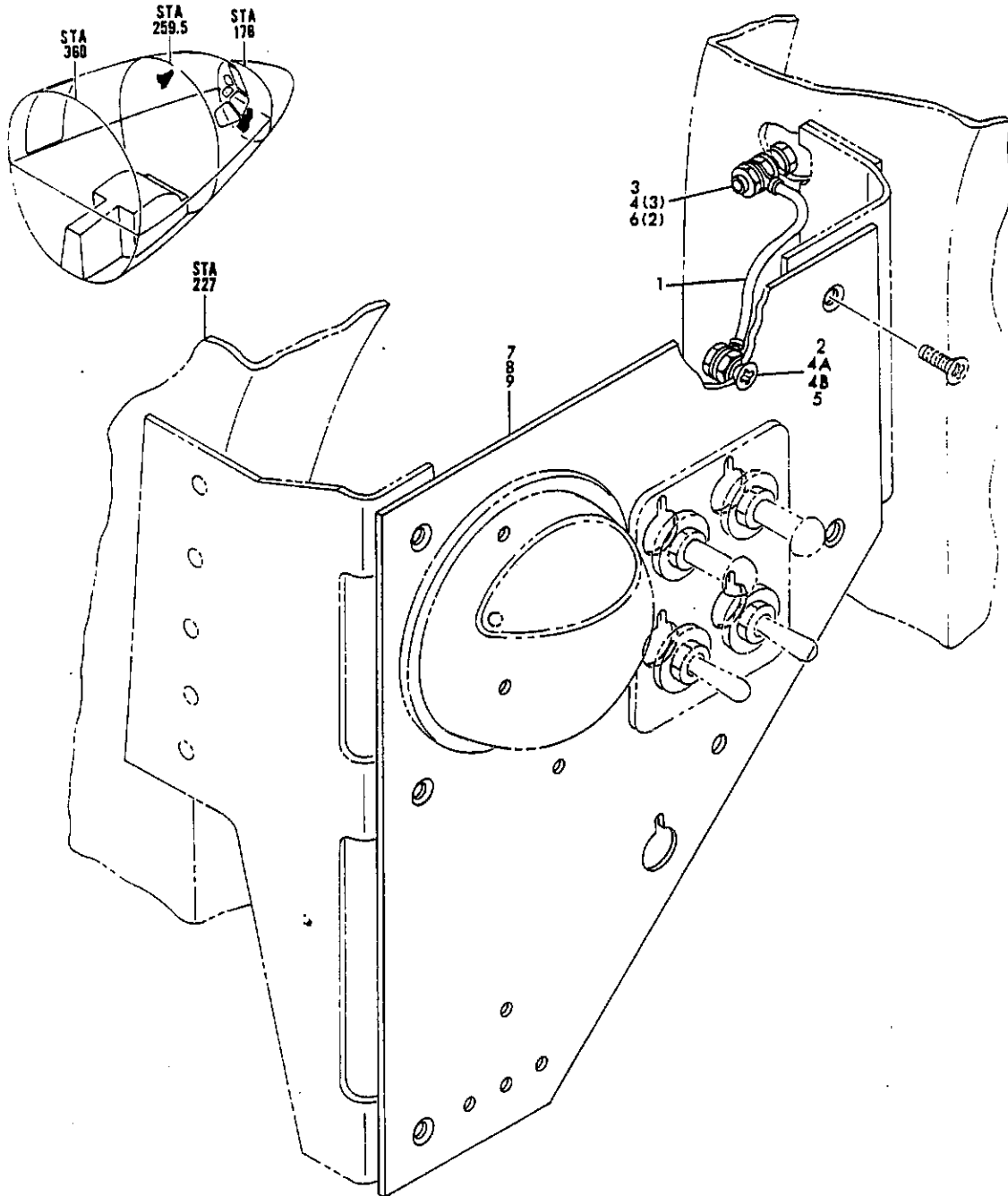


FIGURE 9. PANEL INSTL, PILOTS AND COPILOTS AUXILIARY EQUIPMENT (INSTRUMENTS ONLY)

BOEING

707

PARTS CATALOG (MAINTENANCE)

FIGURE & ITEM NO.	MANUFACTURER'S PART NUMBER	NOMENCLATURE							EFF FROM TO	UNITS PER ASSY	
		1	2	3	4	5	6	7			
R R R R R R R R R R	9	65-63209-1	PANEL INSTL, PILOTS AUXILIARY EQUIPMENT (INSTRUMENTS. . . ONLY) (SEE 25-1, FIG. 2J, ITEM 35, AND 25-5, FIG. 14B, ITEM 1)							5199	RF
		65-63209-1	PANEL INSTL, PILOTS AUXILIARY EQUIPMENT (INSTRUMENTS. . . ONLY) (DELETED BY RAF MOD 7211.019-4) (SEE 25-5, FIG. 14B ITEM 1)							0150	RF
		65-63209-2	PANEL INSTL, COPILOTS AUXILIARY EQUIPMENT (INSTRUMENTS ONLY) (SEE 25-1, FIG. 2J, ITEM 36, AND 25-5, FIG. 14E, ITEM 1)							5199	RF
		65-63209-2	PANEL INSTL, COPILOTS AUXILIARY EQUIPMENT (INSTRUMENTS ONLY) (DELETED BY RAF MOD 7211.019-4) (SEE 25-5, FIG. 14E)							0150	RF
	1	MS25083-2884	. JUMPER ASSY								1
	2	NAS514P1032-7	. ATTACHING PARTS								
	3	BACS12CB3-12	. SCREW								1
	4	AN960-10	. WASHER								3
	4A	AN960-10	. WASHER								2
	5	MS20341-10	. NUT								2
6	NAS679A3W	. NUT								2	
7	65-63209-11	. PANEL ASSY, (INSTRUMENTS ONLY) (USED ON 65-63209-1)								1	
7	65-63209-12	. PANEL ASSY, (INSTRUMENTS ONLY) (USED ON 65-63209-2)								1	
8	69-55373-3	. . . PANEL ASSY, (USED ON 65-63209-9 AND 11)								1	
8	69-55373-4	. . . PANEL ASSY, (USED ON 65-63209-10 AND 12)								1	
	NAS514P1032-8	. ATTACHING PARTS									
	BACW10J3	. . . SCREW								5	
		. . . WASHER								5	
9	69-55373-9	. . . PANEL, (USED ON 69-55373-3)								1	
9	69-55373-10	. . . PANEL, (USED ON 69-55373-4)								1	
		. FOR REFERENCE TO OTHER PANEL DETAILS, SEE NHA									

MISSING ITEM NUMBERS ARE NOT APPLICABLE

RAF
NOV 21/01

31-05-9

DETAILED PARTS LIST
31-05-9
PAGE 1

BOEING
707
PARTS CATALOG (MAINTENANCE)

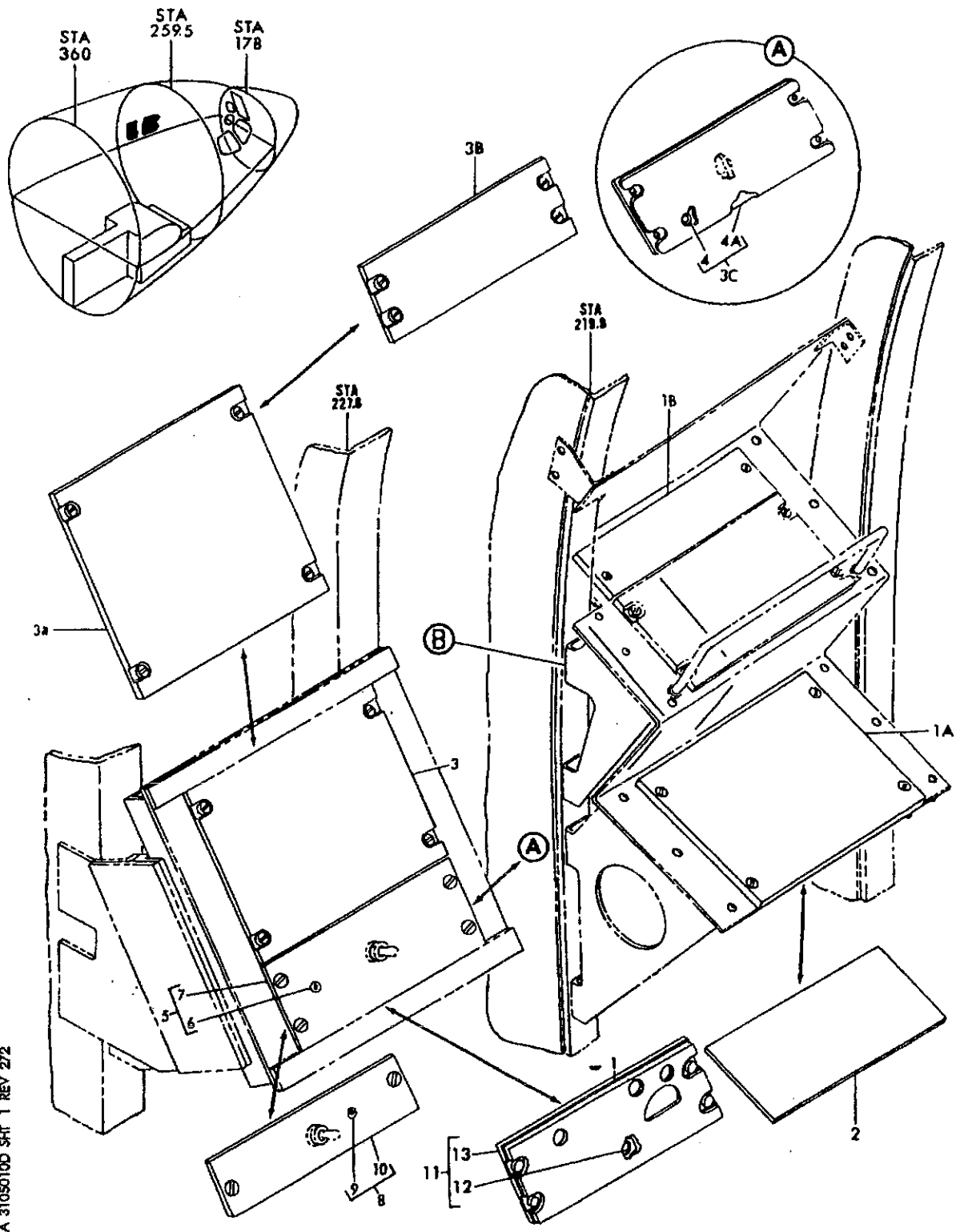


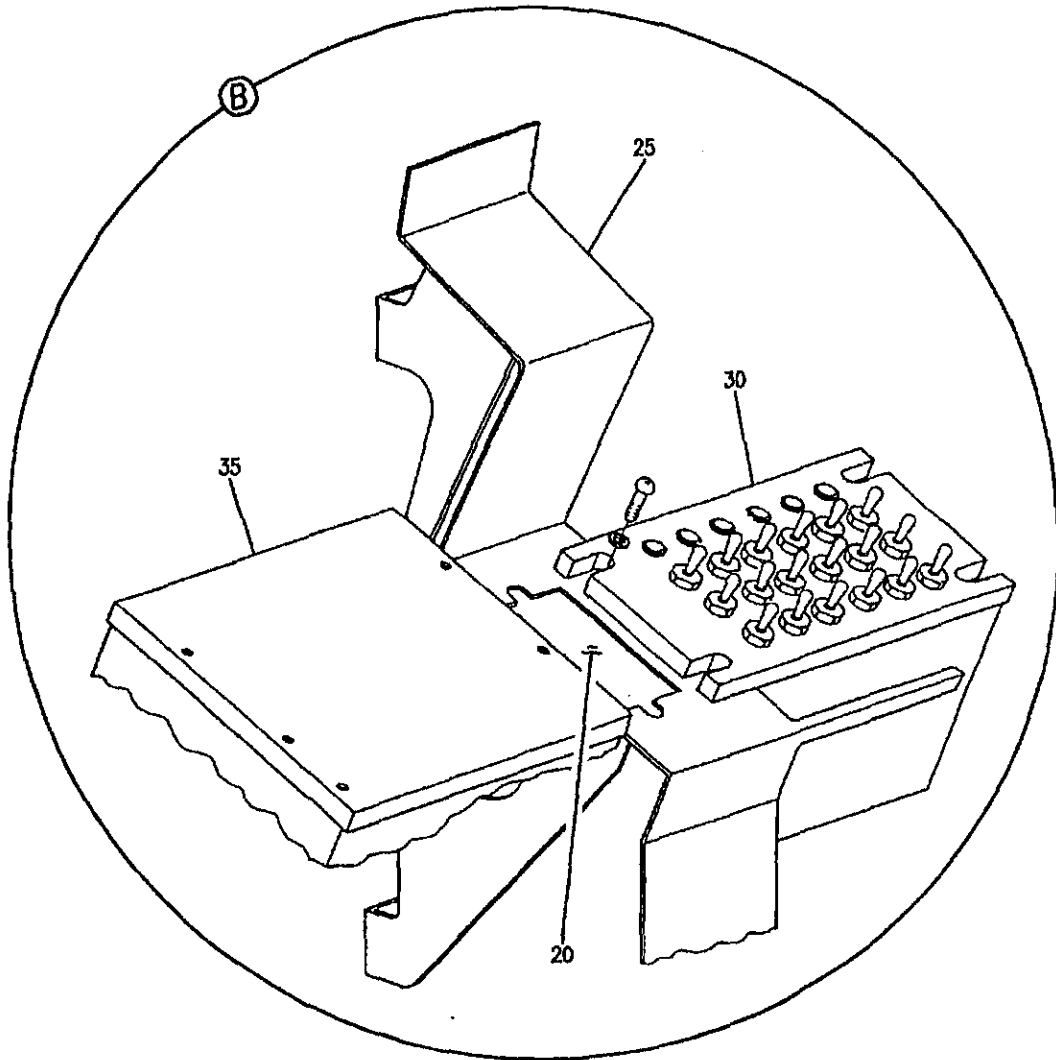
FIGURE 10D. PANEL INSTL, P18 PILOTS AUXILIARY EQUIPMENT (INSTRUMENTS ONLY) (SHEET 1)

DETAILED PARTS LIST
31-05-100
PAGE 0

31-05-100

NOV 21/01

BOEING
707
PARTS CATALOG (MAINTENANCE)



A 3105010D SHT 2 REV 272

FIGURE 10D. SIDE CONSOLE PANEL INSTL, P18 PILOTS AUXILIARY EQUIPMENT (TRIM INSTALLATION) (SHEET 2)

NOV 21/01

31-05-10D

DETAILED PARTS LIST
31-05-10D
PAGE 1

BOEING

707

PARTS CATALOG (MAINTENANCE)

FIGURE & ITEM NO.	MANUFACTURER'S PART NUMBER	NOMENCLATURE							EFF FROM TO	UNITS PER ASSY
		1	2	3	4	5	6	7		
10D	65-64127-1	PANEL INSTL, P18 PILOTS AUXILIARY EQUIPMENT								RF
		(INSTRUMENTS ONLY) (SEE 25-5, FIG. 14B, ITEM 3)								
3	BACP10U0450G	. . . PANEL ASSY.							0150	1
3A	BACP10U0600G	. . . PANEL ASSY.							5199	1
8	69-46145-1	. . . BASEPLATE ASSY, (INSTRUMENTS ONLY).							0150	1
9	MS25083-28B6	. . . JUMPER ASSY							0150	1
		ATTACHING PARTS								
	NAS514P1032-10	. . . SCREW							0150	1
	AN960D10L	. . . WASHER.							0150	2
	NAS679A3W	. . . NUT							0150	1
		-----*								
10	69-46145-2	. . . BASEPLATE, (ALTERED FROM BACP10U0150G).							0150	1
	391-34-50-73971-001	. . . PANEL INSTL, SIDE CONSOLE PILOT (TRIM INSTALLATION)							0150	RF
		(VZ0031) (ADDED BY RAF MOD 7211.019-4)								
20	391-23-50-73995-001	. . . PANEL, EXTENSION AUDIO SELECT (VZ0031) (SEE 23-02,							0150	RF
		FIG. 62D AND 34-03, FIG. 33 FOR BREAKDOWN)								
25	391-25-10-74467-001	. . . TRIM INSTL, (VZ0031).							0150	1
30	391-23-50-74163-001	. . . PANEL, AUDIO SELECT (VZ0031) (SEE 23-02,							0150	RF
		FIG. 62D)								
35	S7301W5001A4	. . . CONTROL PANEL, IFF TRANSPONDER (VZ2532).							0150	RF
		. . . FOR REFERENCE TO OTHER PANEL DETAILS, SEE NHA								

R
R
R
R
R
R
R

MISSING ITEM NUMBERS ARE NOT APPLICABLE

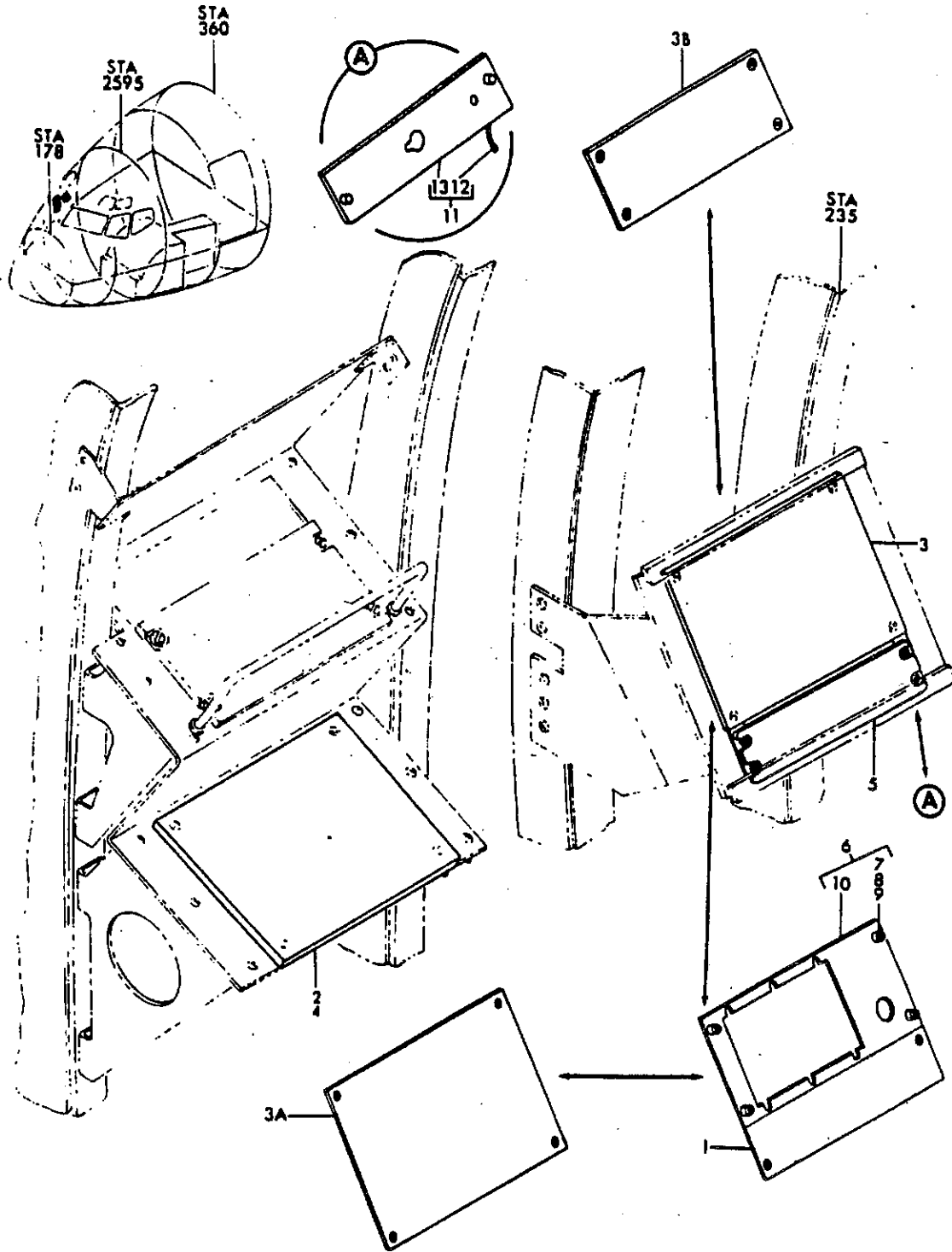


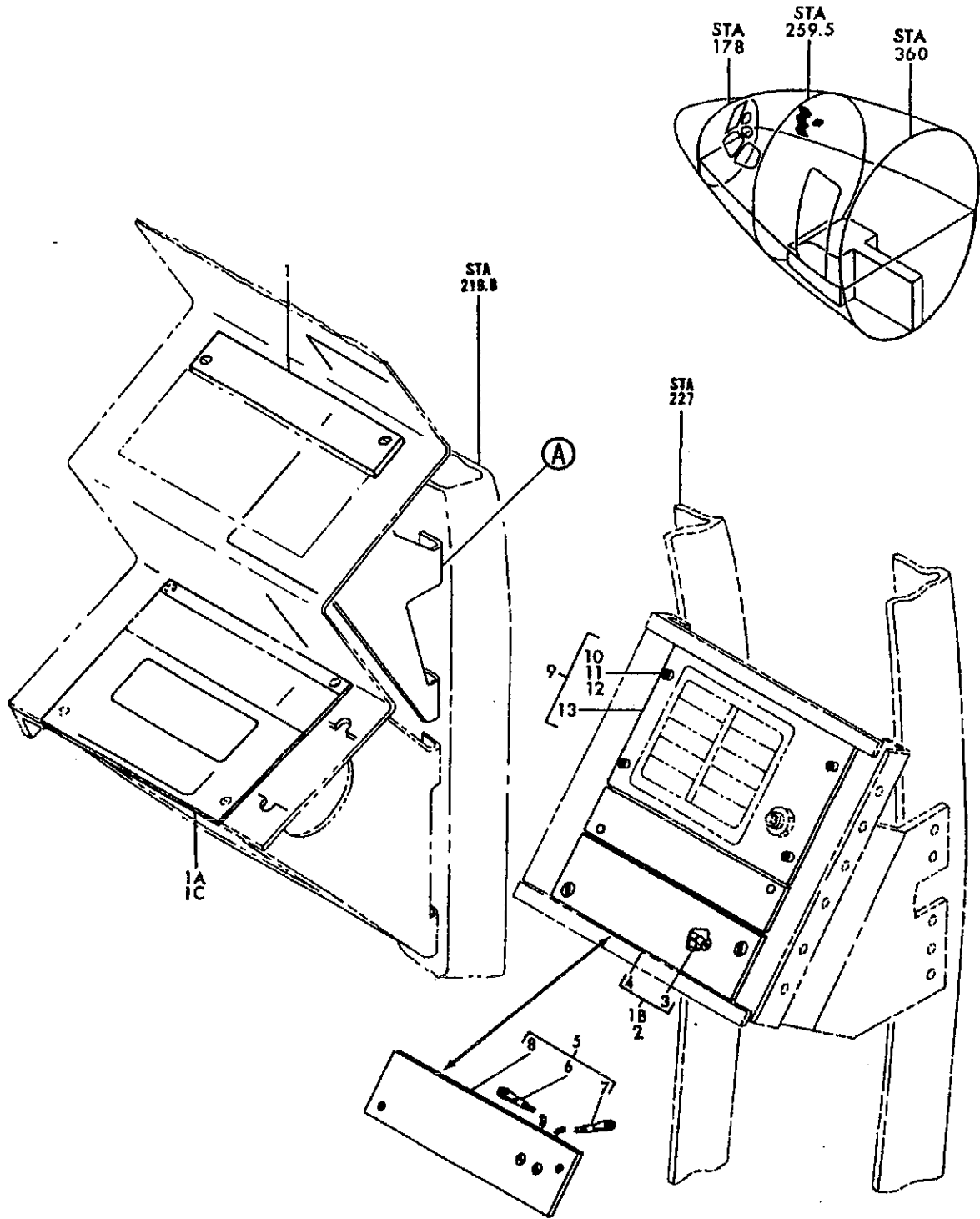
FIGURE 10E. PANEL INSTL. P19 AUXILIARY EQUIPMENT (CO-PILOT) (INSTRUMENTS ONLY)



PARTS CATALOG

FIGURE & ITEM NO.	MANUFACTURER'S PART NUMBER	1 2 3 4 5 6 7 NOMENCLATURE	EFF FROM TO	UNITS PER ASSY
10E	65-64127-2	PANEL INSTL, P19 AUXILIARY EQUIPMENT (CO-PILOT)	5199	RF
3	BACPL0U0600G	(INSTRUMENTS ONLY) (SEE 25-5, FIG. 14E, ITEM 3)		
		. PANEL ASSY.	5199	1
		. FOR REFERENCE TO OTHER PANEL DETAILS, SEE NHA	5199	
MISSING ITEM NUMBERS ARE NOT APPLICABLE				

BOEING
707
PARTS CATALOG (MAINTENANCE)



A 3105011D SHT 1 REV 272

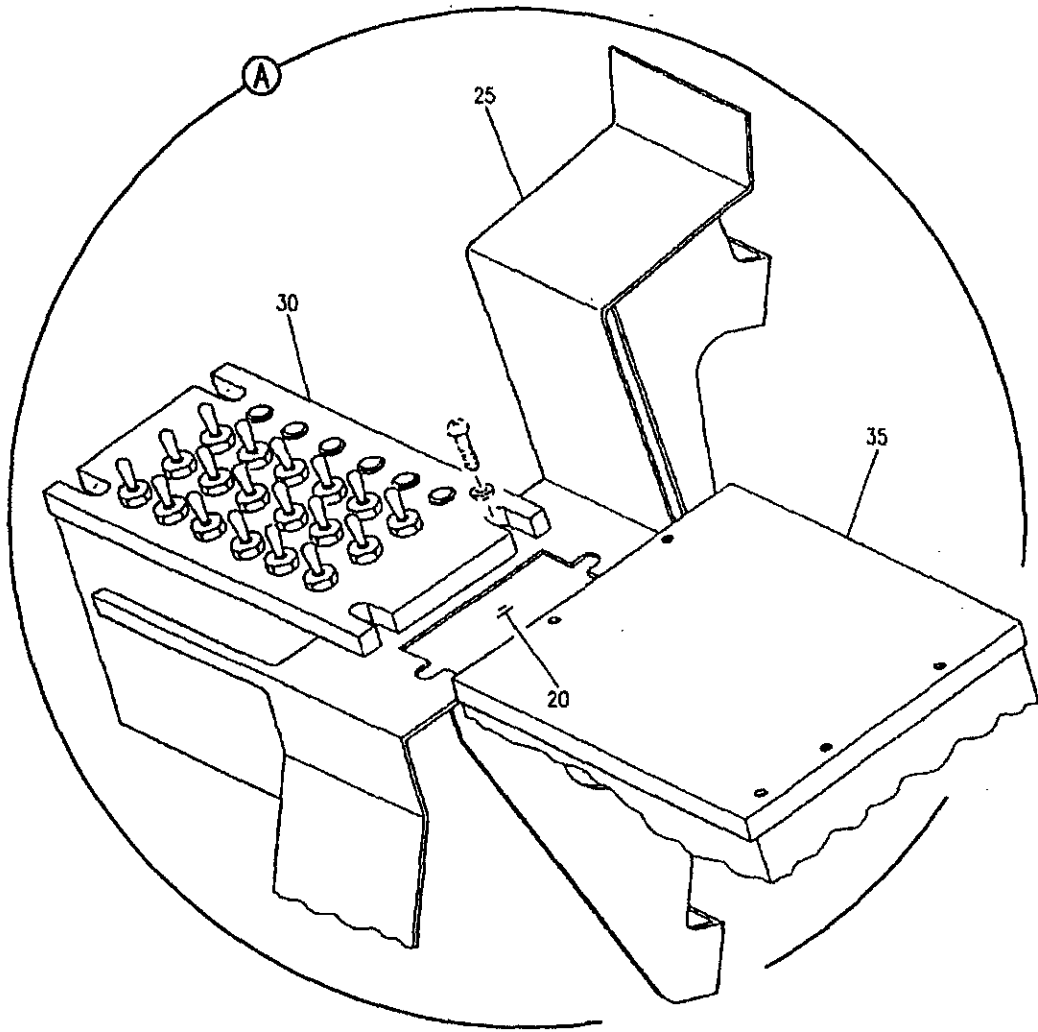
FIGURE 11D. PANEL INSTL. P19 PILOTS AUXILIARY EQUIPMENT (INSTRUMENTS ONLY) (SHEET 1)

DETAILED PARTS LIST
31-05-11D
PAGE 0

31-05-11D

NOV 21/01

BOEING
707
PARTS CATALOG (MAINTENANCE)



A 3105011D SH1 2 REV 272

FIGURE 11D. SIDE CONSOLE PANEL INSTL. P19 CO-PILOTS AUXILIARY EQUIPMENT (TRIM INSTALLATION) (SHEET 2)

NOV 21/01

31-05-110

DETAILED PARTS LIST
31-05-110
PAGE 1

BOEING

707
PARTS CATALOG (MAINTENANCE)

FIGURE & ITEM NO.	MANUFACTURER'S PART NUMBER	NOMENCLATURE							EFF FROM TO	UNITS PER ASSY	
		1	2	3	4	5	6	7			
R R R R R	11D	65-64127-2	PANEL INSTL, P19 PILOTS AUXILIARY EQUIPMENT							0150	RF
			(INSTRUMENTS ONLY) (DELETED BY MOD 7211,019-225)								
			(SEE 25-5, FIG. 14E, ITEM 3)								
		391-34-50-73974-001	PANEL INSTL, P19 PILOTS AUXILIARY EQUIPMENT							0150	RF
			(INSTRUMENTS ONLY) (VS2500) (65-64127-2 MODIFIED								
			BY MOD 7211,019-225)								
	1	BACP10U0150G PANEL ASSY							0150	2
	2	69-46145-1 PANEL ASSY, MICROPHONE SELECTOR (INSTRUMENTS ONLY)							0150	1
	3	MS25083-2BB6 JUMPER ASSY							0150	1
			ATTACHING PARTS								
		NAS514P1032-10 SCREW							0150	1
	AN960D10L WASHER							0150	2	
	NAS679A3W NUT							0150	1	
4	69-46145-2 BASEPLATE, (ALTERED FROM BACP10U0150G)							0150	1	
9	69-33354-5 PANEL ASSY, DOOR WARNING ANNUNCIATOR (INSTRUMENTS							0150	1	
		ONLY)									
10	BACS21F7-38 STUD							0150	4	
11	BACS22B7 SPRING							0150	4	
12	BACC30F7 CUP							0150	4	
13	69-33354-6 PANEL							0150	1	
	391-34-50-73971-002 PANEL INSTL, SIDE CONSOLE COPILOT (TRIM INSTALLATION)							0150	RF	
		(VZ0031) (ADDED BY RAF MOD 7211,019-4)									
20	391-23-50-73995-001 PANEL, EXTENSION AUDIO SELECT (VZ0031) (SEE 23-02,							0150	RF	
		FIG. 62C AND 34-03, FIG. 40 FOR BREAKDOWN)									
25	391-25-10-74467-002 TRIM INSTL, (VZ0031)							0150	1	
30	391-23-50-74163-001 PANEL, AUDIO SELECTOR (VZ0031) (SEE 23-02,							0150	RF	
		FIG. 62D)									
35	57301WS001A4 CONTROL PANEL, IFF TRANSPONDER (VZ2532)							0150	RF	
	 FOR REFERENCE TO OTHER PANEL DETAILS, SEE NHA							0150		

MISSING ITEM NUMBERS ARE NOT APPLICABLE

BOEING *707* *Intercontinental* 
PARTS CATALOG

SECTION 06
RADIO, RADAR AND AUTOPILOT CONTROL PANEL

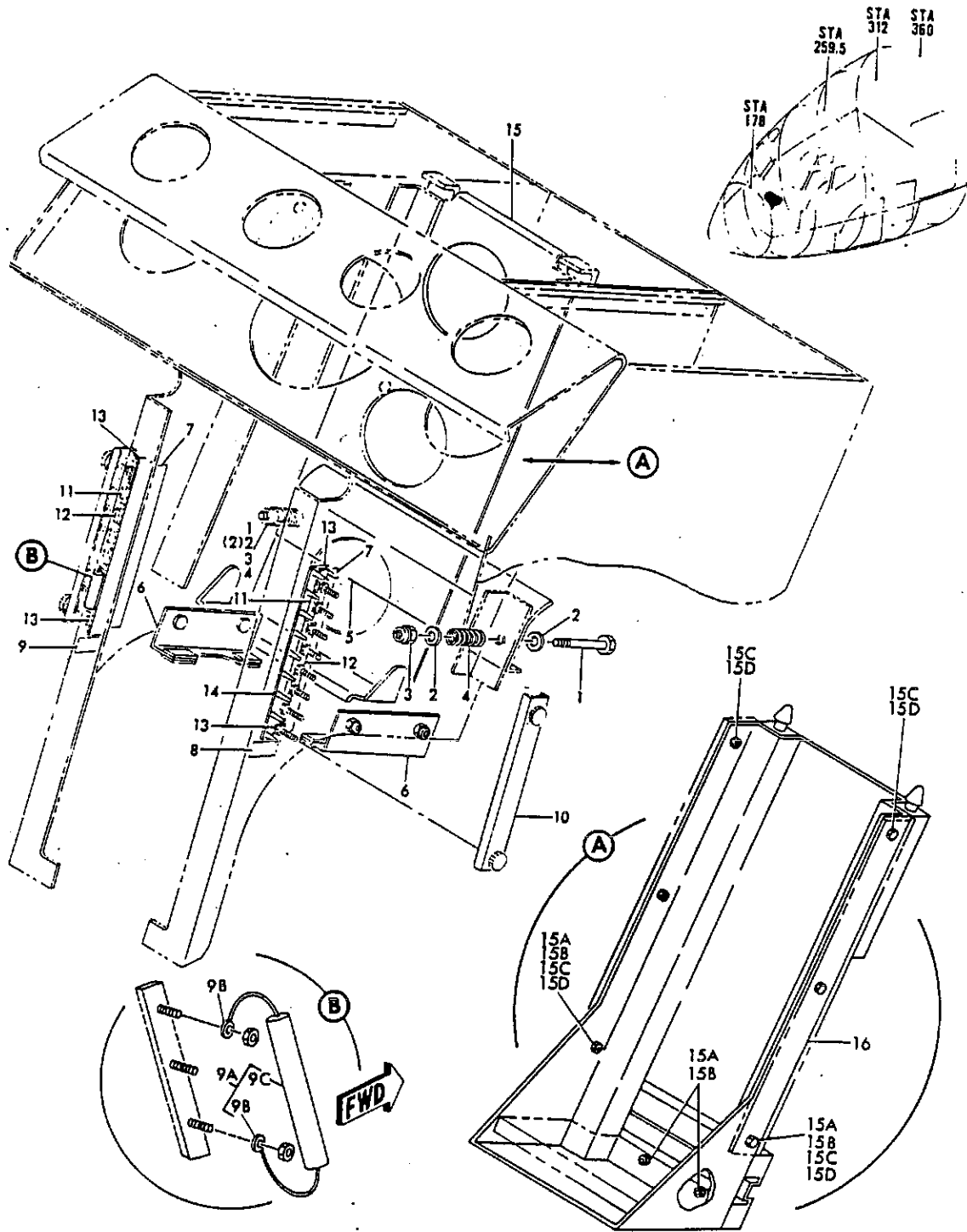


FIGURE 3D. SUPPORT INSTL, RADIO AND RADAR CONTROL PANEL

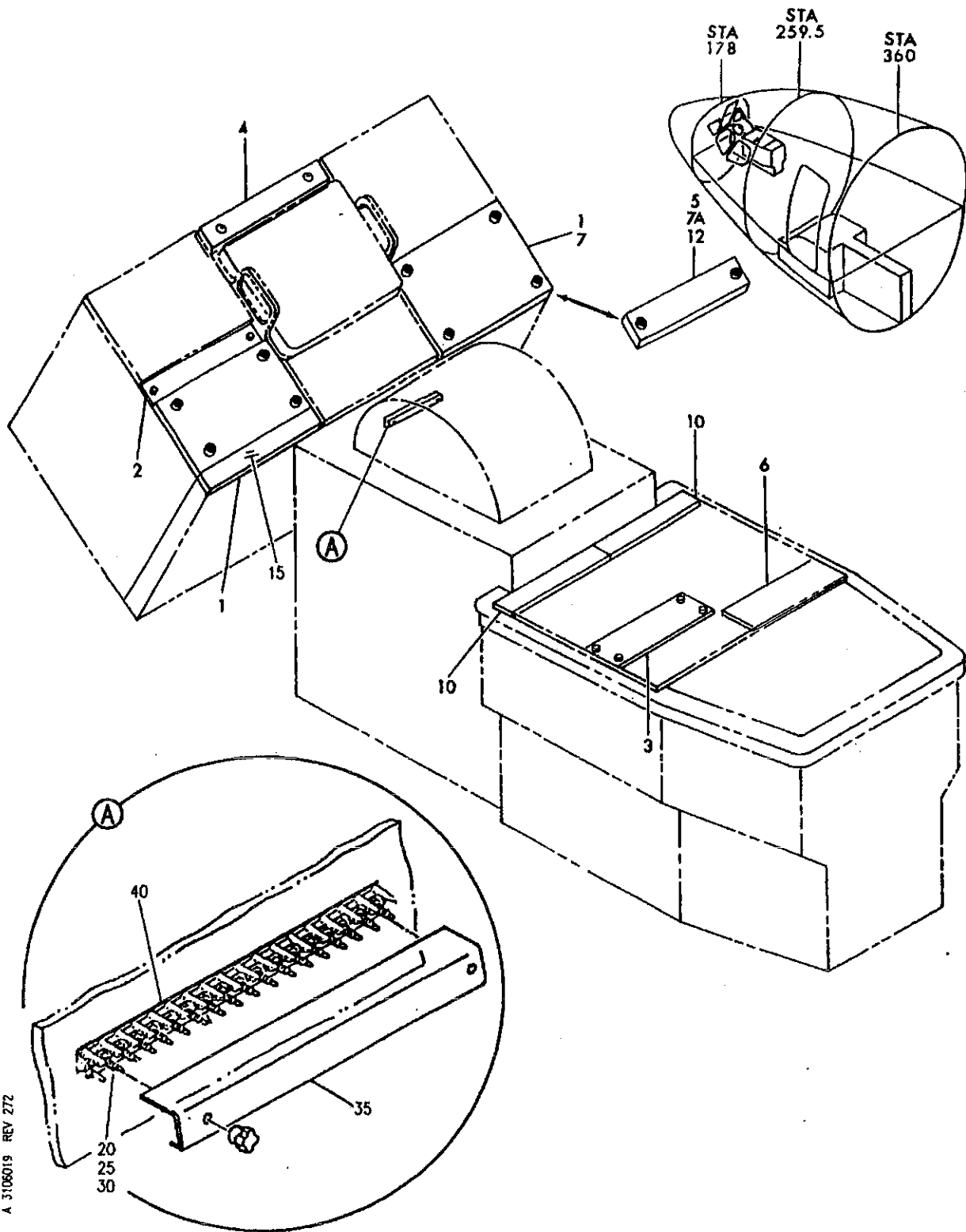


PARTS CATALOG

FIGURE & ITEM NO.	MANUFACTURER'S PART NUMBER	1 2 3 4 5 6 7	NOMENCLATURE	EFF FROM TO	UNITS PER ASSY
3D	65-59879-41		SUPPORT INSTL, RADIO AND RADAR CONTROL PANEL (SEE 25-1, FIG. 1F, ITEM 11 AND 25-1, FIG. 2E, ITEM 2)	5199	RF
1	AN4-12A		. BOLT.	5199	2
2	AN960D416		. WASHER.	5199	4
3	NAS679A4W		. NUT	5199	2
4	63-1413		. SPRING, RADAR SCOPE SUPPORT COMPRESSION	5199	2
5	66-1647		. CHANNEL	5199	1
6	69-47201-4		. ANGLE ASSY.	5199	2
			ATTACHING PARTS		
	NAS517-3-2		. BOLT.	5199	4
	AN960D10		. WASHER.	5199	4
	NAS679A3W		. NUT	5199	4
7	BACM10N70-2DPD		. MARKER, 1 THRU 8 ALUMINUM FOIL.	5199	2
8	BAC27CEE280		. DECAL, T380	5199	1
9	BAC27CEE281		. DECAL, T381	5199	1
9A	65-59879-42		. RESISTOR ASSY	5199	1
9B	36151		5199	2
9C	FP5		5199	1
10	MS18029-1S8		. COVER ASSY.	5199	1
10A	MS18029-1S9		. COVER ASSY.	5199	1
11	MS25226-2-2		. LINK, TERMINAL CONNECTING	5199	2
12	MS25226-2-4		. LINK, TERMINAL CONNECTING	5199	2
13	MS25227-1A		. STRIP, MOUNTING NUT INSULATING.	5199	4
14	MS27212-1-8		. TERMINAL BOARD.	5199	1
14A	MS27212-1-8		. TERMINAL BOARD.	5199	1
14A	MS27212-1-9		. TERMINAL BOARD.	5199	1
			ATTACHING PARTS		
	NAS514P440-3		. SCREW	5199	4
	BACN10JC04		. NUT	5199	4
15A	BACS12CB04-6		. SCREW	5199	4
15B	BACN10JC04		. NUT	5199	4
16	Z070499-0102		. TRAY, INDICATOR MOUNTING (V27914) (CUSTOMER FURNISHED)	5199	1

MISSING ITEM NUMBERS ARE NOT APPLICABLE

BOEING
707
PARTS CATALOG (MAINTENANCE)



A 3106019 REV 272

FIGURE 19. PANEL INSTL, RADIO, RADAR AND AUTOPILOT CONTROL (INSTRUMENTS ONLY)

DETAILED PARTS LIST
31-06-19
PAGE 0

31-06-19

NOV 21/01

BOEING

707

PARTS CATALOG (MAINTENANCE)

FIGURE & ITEM NO.	MANUFACTURER'S PART NUMBER	NOMENCLATURE							EFF FROM TO	UNITS PER ASSY		
		1	2	3	4	5	6	7				
R R R R R R R R R R R R R R R	19	65-17001-2	PANEL INSTL, RADIO, RADAR AND AUTOPILOT CONTROL							0150	RF	
			(INSTRUMENTS ONLY) (DELETED BY MOD 7211.019-225) (SEE 25-1, FIG. 1K, ITEM 1)									
		391-34-50-73967-001	PANEL INSTL, RADIO, RADAR AND AUTOPILOT CONTROL							0101	RF	
			(INSTRUMENTS ONLY) (VZ0031) (65-17001-2)							0450		
			MODIFIED BY MOD 7211.019-225 AND 7211.019-4)									
			(SEE 25-1, FIG. 1K, ITEM 1)									
		391-34-50-73967-003	PANEL INSTL, RADIO, RADAR AND AUTOPILOT CONTROL							0203	RF	
			(INSTRUMENTS ONLY) (VZ0031) (65-17001-2)									
			MODIFIED BY MOD 7211.019-225 AND 7211.019-4)									
			(SEE 25-1, FIG. 1K, ITEM 1)									
		1	BACP10U0450B	. PANEL ASSY.							0150	2
		2	BACP10C1	. PANEL ASSY.							0150	1
		3	BACP10C3	. PANEL ASSY.							0150	1
		4	63-1436	. PLATE, COVER.							0150	1
		10	BACP10U0075	. PANEL, BLANKING (ADDED BY RAF MOD 7211.019-159)							0150	2
	12	BACP10U0112	. PANEL, BLANKING (ADDED BY RAF MOD 7211.019-159)							0150	1	
	15	391-31-10-73984-029	. PANEL ASSY, BLANK (VZ0031) (ADDED BY RAF MOD.							0150	1	
			7211.019-4)									
	20	NAS6006-6	. SCREW, (ADDED BY RAF MOD 7211.019-4).							0150	2	
	25	AN960-4L	. WASHER, (ADDED BY RAF MOD 7211.019-4)							0150	2	
	30	MS21042-04	. NUT, (ADDED BY RAF MOD 7211.019-4).							0150	2	
	35	MS18029-2L6	. COVER ASSY, (ADDED BY RAF MOD							0150	1	
	40	MS27212-2-6	. TERMINAL BOARD, (ADDED BY RAF MOD 7211.019-4)							0150	1	
			. FOR REFERENCE TO OTHER PANEL DETAILS, SEE NHA							0150		

MISSING ITEM NUMBERS ARE NOT APPLICABLE

RAF
NOV 21/01

31-06-19

DETAILED PARTS LIST
31-06-19
PAGE 1

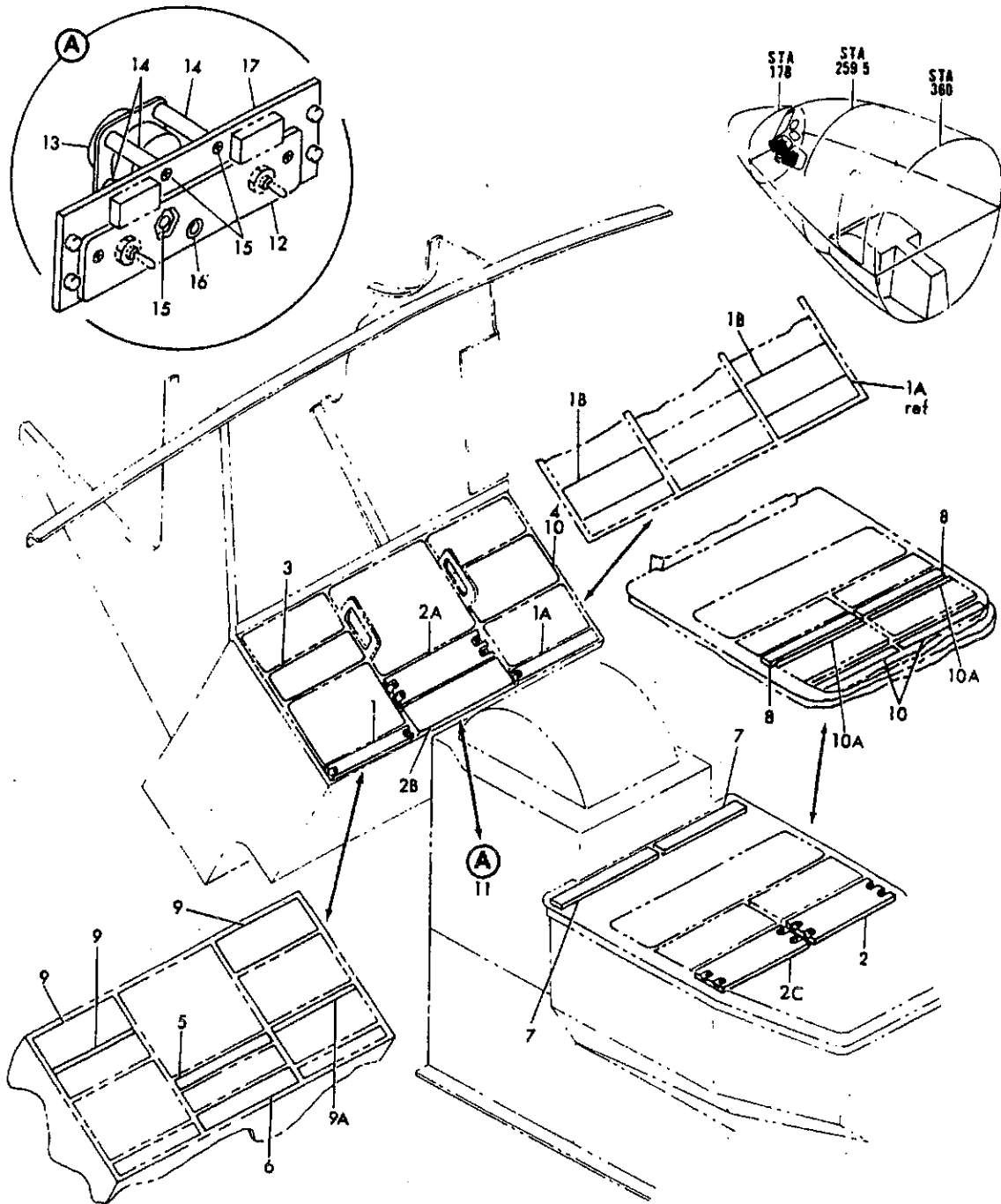


FIGURE 25. PANEL INSTL, RADIO RADAR AND AUTOPILOT CONTROL (INSTRUMENTS ONLY)



PARTS CATALOG

FIGURE & ITEM NO.	MANUFACTURER'S PART NUMBER	NOMENCLATURE							EFF FROM TO	UNITS PER ASSY
		1	2	3	4	5	6	7		
25	65-1157-25	PANEL INSTL, RADIO, RADAR AND AUTOPILOT CONTROL							5199	RF
		(INSTRUMENTS ONLY) (SEE 25-1, FIG. 2E, ITEM 1)								
1	BACP10U0075G	. PANEL							5199	1
1A	BACP10U0075G	. PANEL							5199	1
2B	BACP10U0187G	. PANEL							5199	1
2B	BACP10U0112G	. PANEL							5199	1
5	BACP10U0075G	. PANEL							5199	1
8	BACP10U0037G	. PANEL							5199	2
9A	BACP10U0037G	. PANEL							5199	1
		. FOR REFERENCE TO OTHER PANEL DETAILS, SEE NHA							5199	

MISSING ITEM NUMBERS ARE NOT APPLICABLE

BOEING *707*
Intercontinental 
PARTS CATALOG

SECTION 20
INDEPENDENT INSTRUMENTS

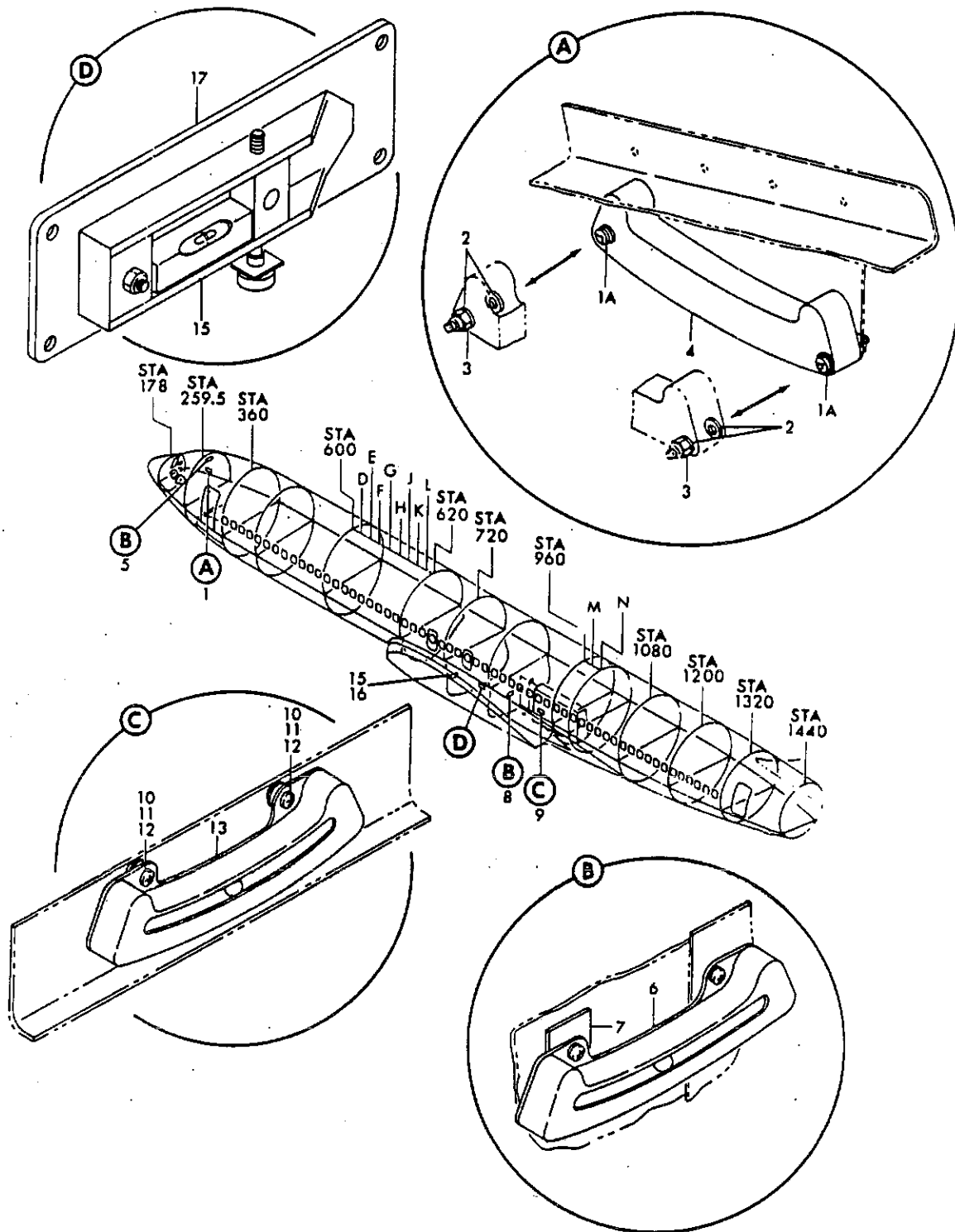


FIGURE 1. INCLINOMETER INSTALLATION

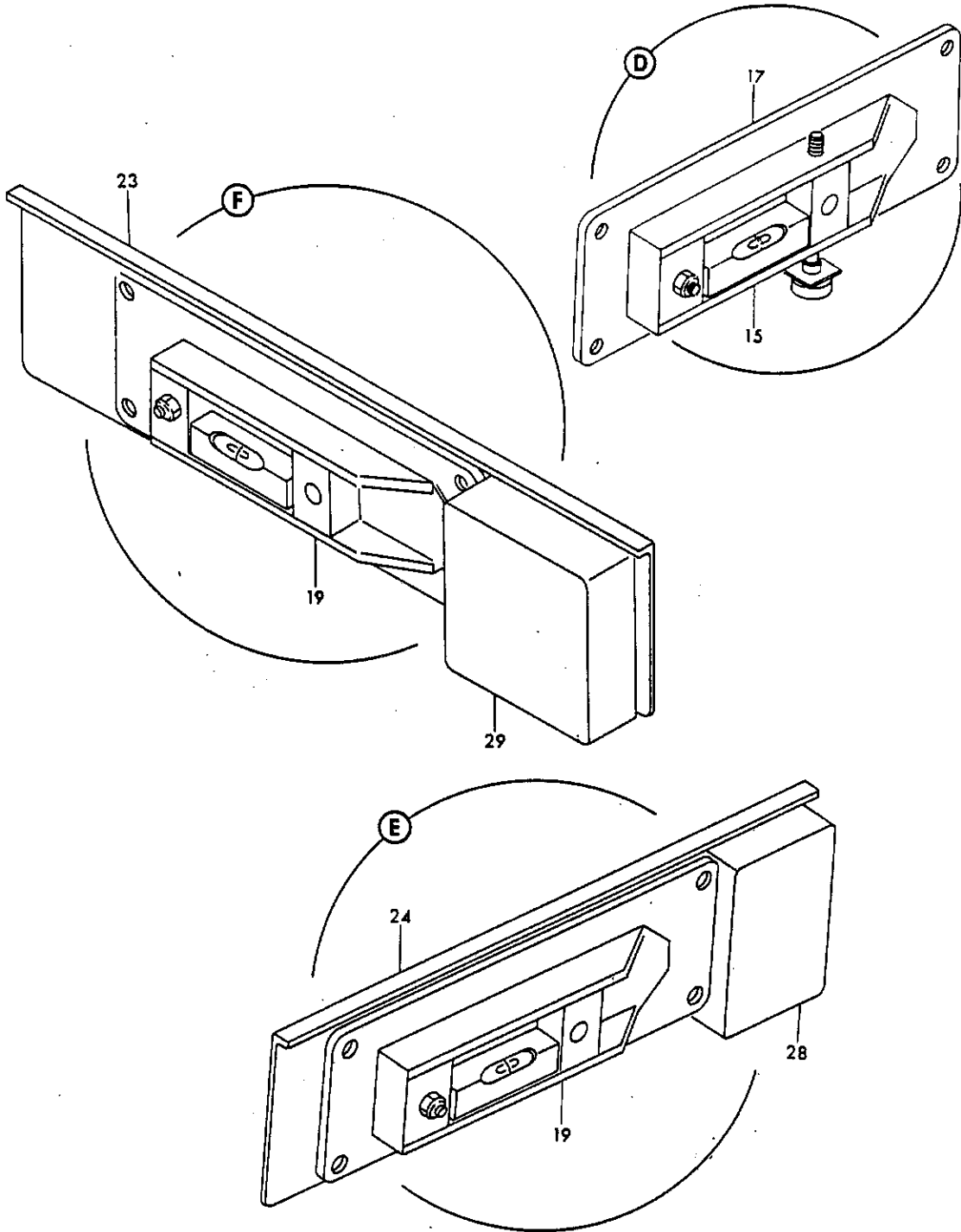


FIGURE 1. INCLINOMETER INSTALLATION (SHEET 2)

NOV 21/90

31-20-1

DETAILED PARTS LIST
31-20-1
PAGE 1



PARTS CATALOG

FIGURE & ITEM NO.	MANUFACTURER'S PART NUMBER	1 2 3 4 5 6 7	NOMENCLATURE	EFF	UNITS	
				FROM TO	PER ASSY	
R R R R R R R R R R R R	1		INCLINOMETER INSTALLATION	5299		
	8	65-24421-1	. INCLINOMETER INSTL, LANDING GEAR WHEEL WELL LH SIDE . (SEE 53-1, FIG. 2, ITEM 65 AND 53-2, FIG. 2, ITEM 125)	5299	RF	
	9	65-24421-2	. INCLINOMETER INSTL, LANDING GEAR WHEEL WELL LH SIDE . (SEE 53-1, FIG. 2, ITEM 66 AND 53-2, FIG. 2, ITEM 126)	5299	RF	
	10	NAS602-7P	. . SCREW	5299	2	
	11	AN960-8	. . WASHER	5299	2	
	12	NAS679A08W	. . NUT	5299	2	
	13	A3804-102	. . INCLINOMETER (OPTIONAL P5634-101)	5299	1	
	13	P5634-101	. . INCLINOMETER (OPTIONAL TO A3804-102)	5299	1	
	MISSING ITEM NUMBERS ARE NOT APPLICABLE					

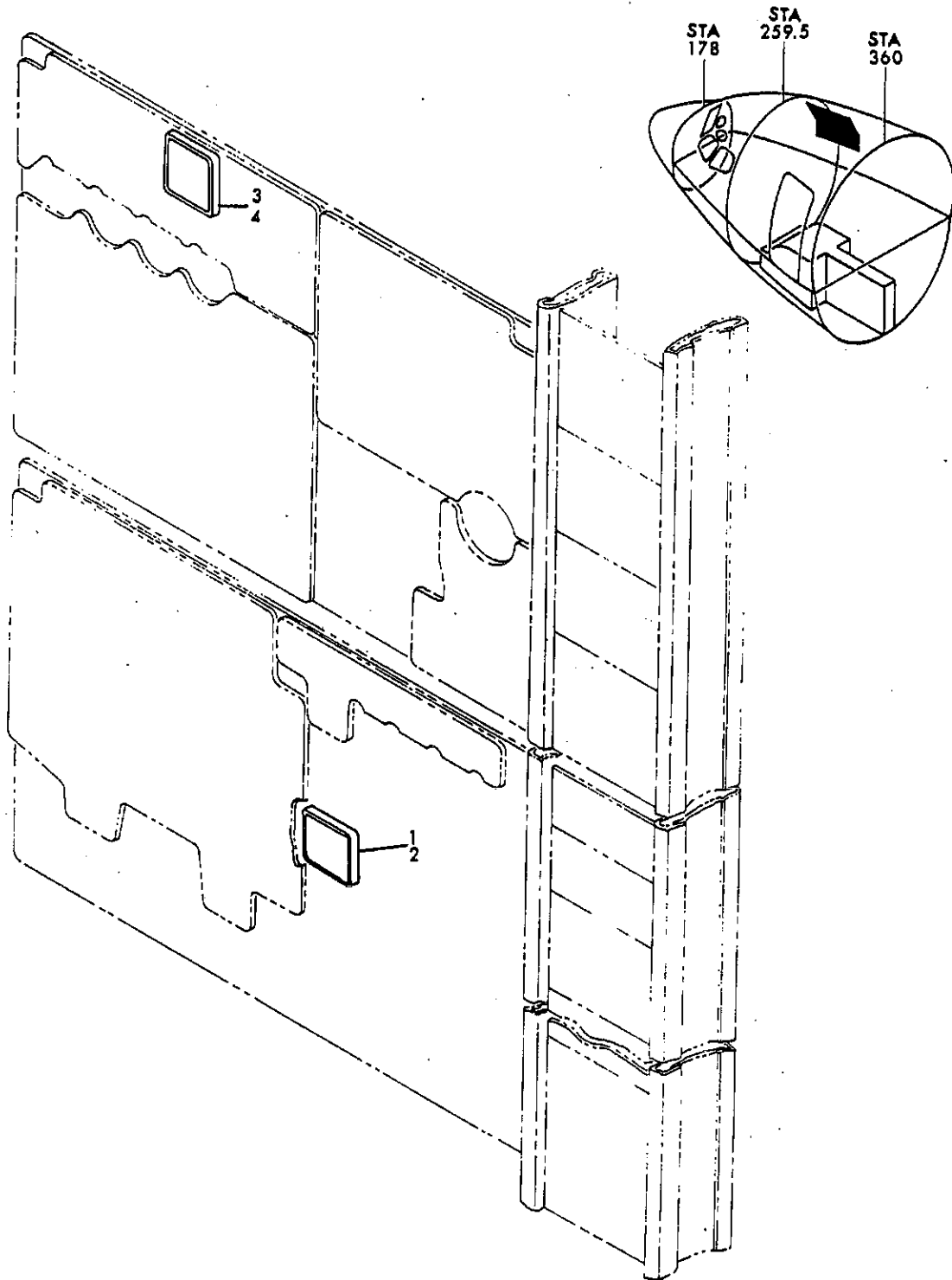


FIGURE 2. PANEL INSTL, FLIGHT ENGINEER'S LOWER (INSTRUMENTS ONLY)



PARTS CATALOG

FIGURE & ITEM NO.	MANUFACTURER'S PART NUMBER	NOMENCLATURE							EFF FROM TO	UNITS PER ASSY
		1	2	3	4	5	6	7		
2	65-58956-1	PANEL INSTL, FLIGHT ENGINEERS LOWER (INSTRUMENTS ONLY)							5199	RF
		(SEE 25-1, FIG. 2E, ITEM 83)								
1	50072	. CLAMP, (V98625)							5199	1
2	W33-7535-30	. CLOCK, (V98429)							5199	1
		. FOR REFERENCE TO OTHER PANEL DETAILS, SEE NHA							5199	
MISSING ITEM NUMBERS ARE NOT APPLICABLE										

BOEING *707*
Intercontinental 
PARTS CATALOG

SECTION 40
WEIGHTS AND BALANCE



PARTS CATALOG

FIGURE & ITEM NO.	MANUFACTURER'S PART NUMBER	NOMENCLATURE							EFF FROM TO	UNITS PER ASSY
		1	2	3	4	5	6	7		
4 1	65-58957-1	PANEL INSTL, FLIGHT ENGINEERS AUXILIARY (WEIGHT AND . . .							5199	RF
	968-6151-1	BALANCE ONLY) (SEE 25-1, FIG. 2E, ITEM 83) . INDICATOR, WEIGHT AND BALANCE (V03003).							5199	1
		. FOR REFERENCE TO OTHER PANEL DETAILS, SEE NHA							5199	
MISSING ITEM NUMBERS ARE NOT APPLICABLE										

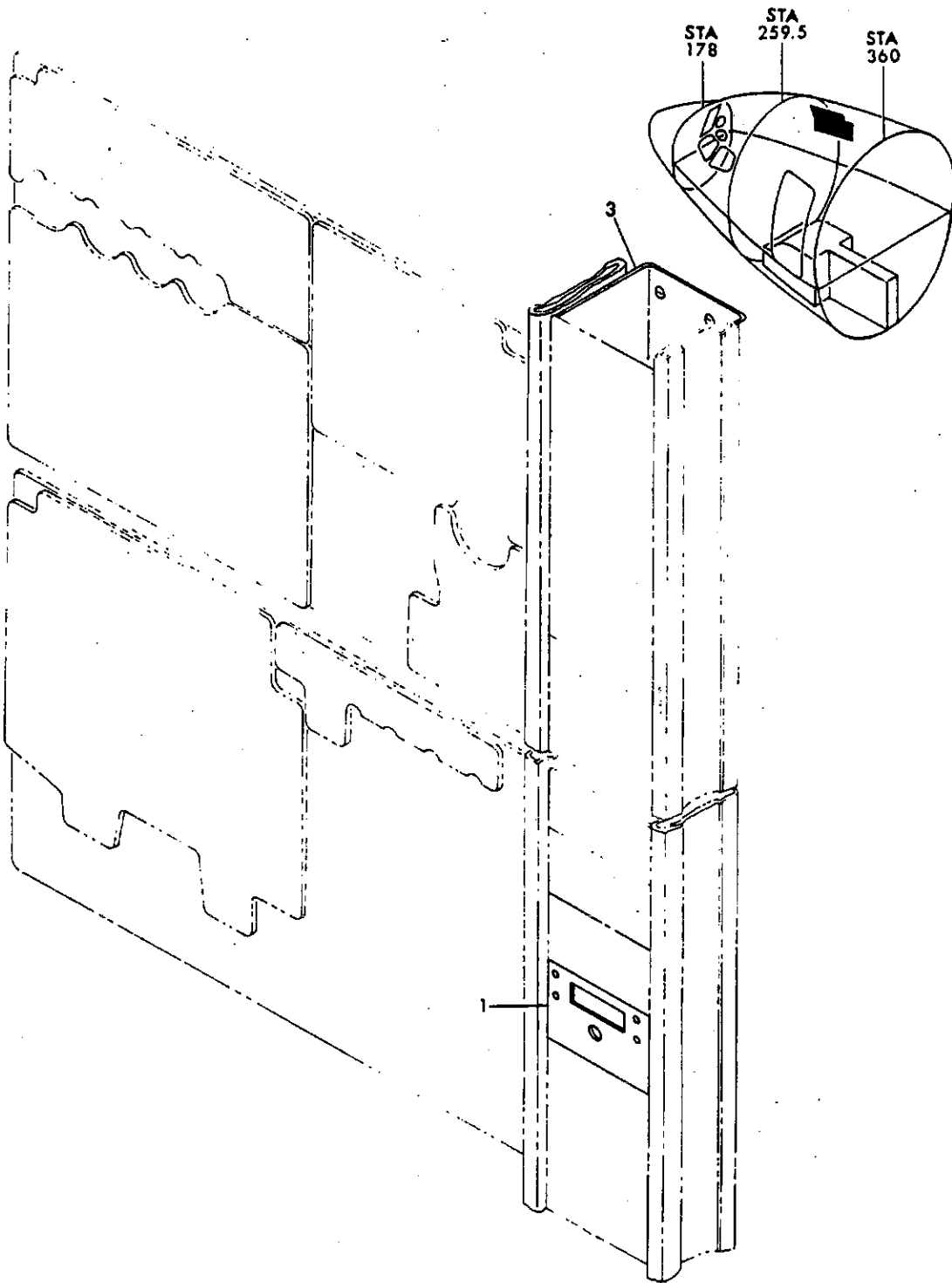


FIGURE 4. PANEL INSTL, FLIGHT ENGINEERS AUXILIARY (WEIGHT AND BALANCE ONLY)