

BOEING

707

PARTS CATALOG (MAINTENANCE)

CHAPTER 34

NAVIGATION

TABLE OF CONTENTS

SECTION	FIGURE
34-01 WEATHER RADAR	
ABSORBER INSTL, WEATHER RADAR RF RADIATION.	12
ANTENNA INSTL, ANT-15	10B
ANTENNA INSTL, DOPPLER RADAR.	21
ANTENNA INSTL, LOWER UHF 1/1FF 1 AND 2	28
ANTENNA INSTL, WEATHER RADAR.	9
BEAM INSTL, DOPPLER CAVITY EDGE	32
BEAM INSTL, DOPPLER RADAR CAVITY DOOR HINGE	31
BOX INSTL, WEATHER RADAR JUNCTION	11
DECK INSTL, DOPPLER CAVITY PRESSURE	34
DOOR INSTL, DUAL DOPPLER CAVITY	28
FRAME INSTL, STATION 211.8	31
SEAL AND CONNECTOR INSTL, STATION 178 WEATHER RADAR	40
SEAL ASSY, DOPPLER DOOR	28
SEAL INSTL, STATION 178 ELECTRONIC WIRES.	13
SHIELD INSTL, DOPPLER RADAR DISTRIBUTION.	24
SUPPORT INSTL, DOPPLER RADAR RECEIVER TRANSMITTER UNIT	15
SUPPORT INSTL, STATION 158.90 ANTENNA	9
SUPPORT INSTL, WEATHER RADAR SPLIT AXIS	10B
SWITCH INSTL, WEATHER RADAR ANTENNA SCAN	11
UNIT INSTL, AVQ-10 WEATHER RADAR.	1
UNIT INSTL, DOPPLER RADAR RECEIVER TRANSMITTER	15
UNITS INSTL, WEATHER RADAR DUAL	4C
WAVEGUIDE INSTL, STATION 243.7 DOPPLER RADAR.	19
WAVEGUIDE INSTL, WEATHER RADAR X BAND	8A
WAVEGUIDE INSTL, WEATHER RADAR.	6
34-02 ANTENNA SYSTEMS	
ANTENNA INSTL-MODE S UPPER STA 550.	11A
ANTENNA INSTL-TCAS UPPER STA 430.	11A
ANTENNA INSTL, GLIDE SLOPE	1
ANTENNA INSTL, LORAN	14
ANTENNA INSTL, LOW RANGE RADIO ALTIMETER.	9A
ANTENNA INSTL, LOW RANGE RADIO ALTIMETER.	9B
ANTENNA INSTL, LOWER UHF2/TACAN 2	3L
ANTENNA INSTL, NAVIGATION VHF	16
ANTENNA INSTL, RADIO ALTIMETER.	10
ANTENNA INSTL, STA 550 L-BAND	4
ANTENNA INSTL, STA 550 I- BAND.	4
ANTENNA INSTL, STATION 430 L-BAND	11
ANTENNA INSTL, STATION 600D ADF LOOP.	9
ANTENNA INSTL, STATION 600F ADF LOOP.	9
ANTENNA INSTL, STATION 600L PLUS 10 L-BAND.	5
ANTENNA INSTL, STATION 650 MARKER BEACDN.	12
ANTENNA INSTL, STATION 670 L-BAND	6
ANTENNA INSTL, TACAN 1 LOWER STA 375.50	37A
ANTENNA INSTL, UHF.	40
ANTENNA INSTL, UPPER TACAN 2	36A
CABLE INSTL, NAVIGATION VHF ANTENNA	16
CONDUIT INSTL, AFT FIN TIP LORAN CABLE	14
COUPLER INSTL, STATION 720 ADF SENSE ANTENNA.	25B
COUPLER INSTL, STATION 820 ADF SENSE ANTENNA.	25B
COVER INSTL, STATION 303.5 L-BAND ANTENNA	3
DOOR INSTL, SECTION 43 STATION 600K TO 680 ANTENNA.	27
DOOR INSTL, SECTION 43 STATION 680 TO 720 ANTENNA	27
DOOR INSTL, SECTION 43 STATION 720 TO 820 ANTENNA	27
DOOR INSTL, SECTION 43 STATION 820 TO 920 ANTENNA	27
EQUIPMENT INSTL, LORAN ANTENNA	14
FAIRING INSTL, FORWARD AND AFT ANTENNA DOOR	29
PLATE INSTL, COVER STA 430 LOWER	39
STRAP INSTL, ANTENNA DOOR	28
SUPPORT INSTL, ADF NO. 1 CHANGEOVER	18
SUPPORT INSTL, GLIDE SLOPE ANTENNA	1
34-03 CONTROLS	
PANEL INSTL, RADIO, RADAR AND AUTOPILOT CONTROL	23
PANEL INSTL, RADIO, RADAR AND AUTOPILOT CONTROL	23A
PANEL INSTL, RADIO, RADAR AND AUTOPILOT CONTROL	32C

BOEING

707

PARTS CATALOG (MAINTENANCE)

SECTION	FIGURE
34-04 GYRO EQUIPMENT	
BRACKET INSTL, VERTICAL GYRO SUPPORT	1
GUARD INSTL, DIRECTIONAL GYRO WIRE.	7
GYRO INSTL, DIRECTIONAL	4
GYRO INSTL, DIRECTIONAL	5
GYRO INSTL, VERTICAL	1
UNIT INSTL, VERTICAL GYRO SIGNAL PHASING.	3
34-05 COMPASS	
COMPASS INSTL, PILOTS STANDBY	1
PANEL INSTL, WING TIP TRAILING EDGE UPPER	13
TRANSMITTER INSTL, WING TIP FLUXGATE LH	6A
VALVE INSTL, WING COMPASS FLUX.	2
34-06 PITOT-STATIC SYSTEM	
EQUIPMENT INSTL, STATION 312 AIR DATA SENSOR LH	2
PORT INSTL, ALTERNATE STATIC SYSTEM	3F
PORT INSTL, STATIC PRESSURE	3B
TUBE INSTL, PITOT PRESSURE.	33
TUBE INSTL, THIRD PITOT PRESSURE RH	34
TUBING INSTL, COPILOTS MAIN INSTRUMENT PANEL PITOT- STATIC.	14P
TUBING INSTL, PILOTS MAIN INSTRUMENT PANEL PITOT-STATIC	14P
TUBING INSTL, SECTION 52 ALTERNATE STATIC SYSTEM.	42
TUBING INSTL, SECTION 52 PITOT STATIC	29E
TUBING INSTL, SECTION 52 PITOT STATIC	30E
TUBING INSTL, SECTION 54 ALTERNATE STATIC SYSTEM.	43
TUBING INSTL, SECTION 54 PITOT-STATIC	39
34-07 FLIGHT RECORDER	
ACCELEROMETER INSTL, REMOTE	13B
RECORDER INSTL, LOCKHEED AIRCRAFT SERVICE FLIGHT.	15
RECORDER SYSTEM INSTL, LOCKHEED AIRCRAFT SERVICE FLIGHT AND ARINC FLIGHT	1A
TUBING INSTL, FLIGHT RECORDER PITOT-STATIC	11C
34-08 ELECTRONIC RACK	
EQUIPMENT INSTL, ELECTRONIC RACK.	18A
EQUIPMENT INSTL, INERTIAL NAVIGATION RJ28	32
EQUIPMENT INSTL, INS RACK	19B
EQUIPMENT INSTL, INS RACK	21A
EQUIPMENT INSTL, LH RADIO RACK.	28A
EQUIPMENT INSTL, RH RADIO RACK.	28A
RACK INSTL, STATION 328 INERTIAL NAVIGATION SYSTEM RJ28	32
SWITCHING ENCLOSURE INSTL, RADIO/NAVIGATION	20C
34-09 INSTRUMENT PANELS	
EQUIPMENT INSTL, NAVIGATORS PANEL	37A
MODULE INSTL, CAPTAINS AND FIRST OFFICERS	66A
MODULE INSTL, P13 PILOTS OVERHEAD	34N
MODULE INSTL, P13 PILOTS OVERHEAD	34P
PANEL INSTL, FLIGHT ENGINEERS AUXILIARY	36L
PANEL INSTL, FLIGHT ENGINEERS LOWER	36E
PANEL INSTL, MISSION COORDINATORS STATION	37B
PANEL INSTL, MOD FLIGHT ENGINEERS AUXILIARY	36H
PANEL INSTL, NAVIGATORS	62
PANEL INSTL, P10 COPILOTS MAIN INSTRUMENT	20E
PANEL INSTL, P8 PILOTS MAIN INSTRUMENT.	20E
PANEL INSTL, P9 ENGINE INSTRUMENT	21T
RACK INSTL, NAVIGATORS EQUIPMENT.	39
34-10 MISCELLANEOUS	
ACCESSORY UNIT ASSY, FLIGHT INSTRUMENT.	61
AURAL GENERATOR AND SPEAKER INSTL, ALTITUDE ALERTING.	47A
BRACKET INSTL, BODY STATION 380 FLAP DRIVE VALVE CONTROL.	45
BRACKET INSTL, LOW RANGE RADIO ALTIMETER UNIT	2A
EQUIPMENT INSTL, FUEL FLOW AMPLIFIER AND ATTITUDE WARNING RJ9 ELECTRONIC.	16B
EQUIPMENT INSTL, FUEL FLOW AMPLIFIER AND ATTITUDE WARNING RJ9 ELECTRONIC.	16G
LIGHTSHIELD INSTL, PILOT AND COPILOT.	38
PANEL INSTL, FRONT SPAR STATION 108.23 TO 146.76 WING LEADING EDGE.	30
PROBE INSTL, TOTAL TEMPERATURE.	6
RACEWAY INSTL, LOW RANGE RADIO ALTIMETER COAXIAL CABLES	2A

 **BOEING**
707
PARTS CATALOG (MAINTENANCE)

SECTION

FIGURE

RACK INSTL, LOW RANGE RADIO ALTIMETER UNIT	2A
RELAY INSTL, IFF/ADC INTERFACE	46A
SHAKER INSTL, ATTITUDE WARNING SYSTEM COLUMN.	4
SOUNDER INSTL, PILOTS NAVIGATION WARNING.	3
STOWAGE INSTL, SEXTANT BOX.	20
UNITS INSTL, TERRAIN WARNING AND RADIO ALTIMETER.	2

BOEING *707*
Intercontinental 
PARTS CATALOG

SECTION 01
WEATHER RADAR

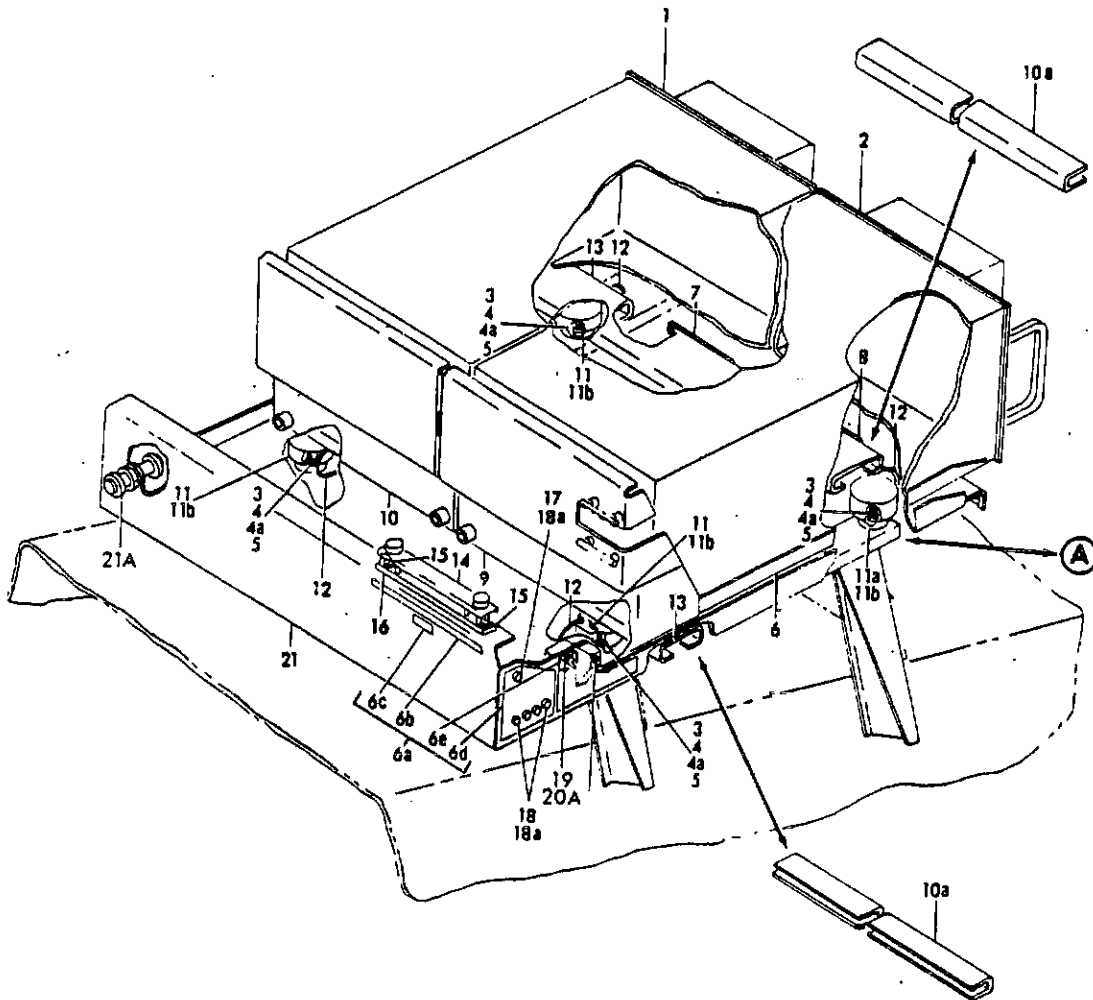
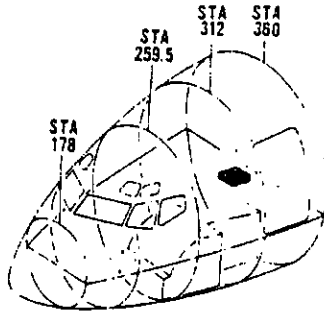


FIGURE 1. UNITS INSTL, AVQ-10 WEATHER RADAR (SHEET 1)

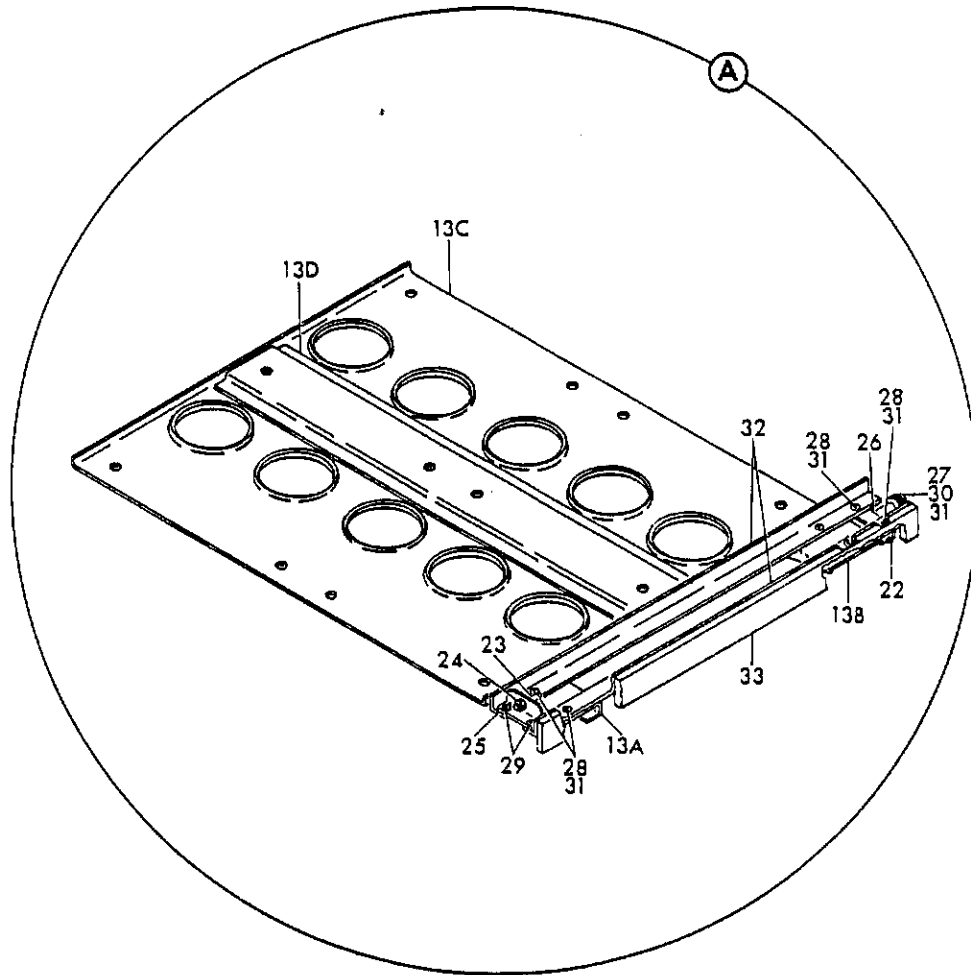


FIGURE 1: UNITS INSTL, AVO-10 WEATHER RADAR (SHEET 2)

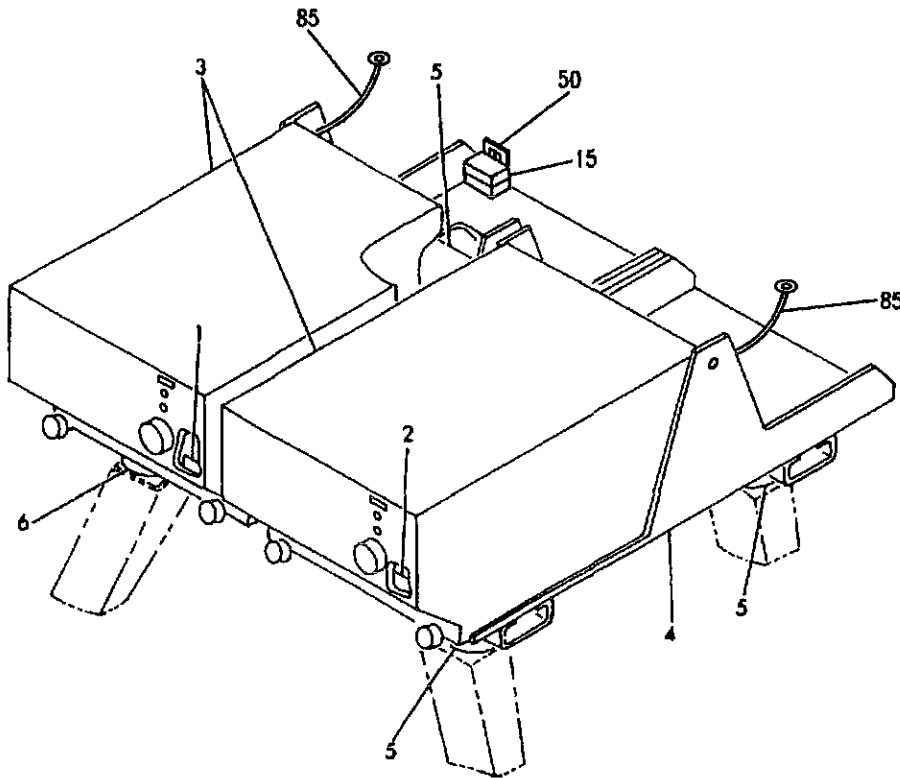
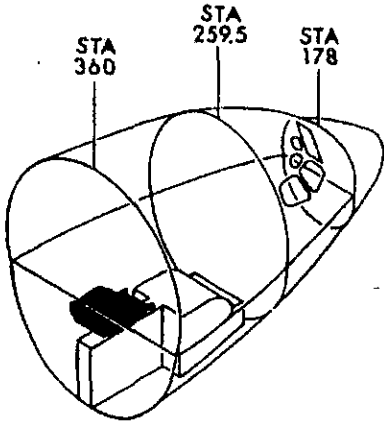


PARTS CATALOG

FIGURE & ITEM NO.	MANUFACTURER'S PART NUMBER	NOMENCLATURE							EFF FROM TO	UNITS PER ASSY
		1	2	3	4	5	6	7		
R R R R R	1 11	BACS14E400B	.	.	SHOCKMOUNT.	.	.	.	0150	3
			.	.	(OPTIONAL 210-32S (V04655))	.	.	.		
		11	210-32S	.	.	SHOCKMOUNT, (V04655).	.	.	0150	3
				.	.	(OPTIONAL TO BACS14E400B)	.	.		
		11A	BACS14E500B	.	.	SHOCKMOUNT.	.	.	0150	1
R R			.	.	ATTACHING PARTS	.	.			
		NAS603-7P	.	.	SCREW	0150	16	
		NAS679A3W	.	.	NUT	0150	16	
R R			.	.	-----*	.	.			
		12	BACJ40A21-5	.	.	JUMPER ASSY	0150	4
	13	90-9152	.	.	SUPPORT, WEATHER RADAR UNITS TRAY	0150	2	

MISSING ITEM NUMBERS ARE NOT APPLICABLE

BOEING
707
PARTS CATALOG (MAINTENANCE)



A 3401001A REV 272

FIGURE 1A. UNITS INSTL, WRT 701C WEATHER RADAR

DETAILED PARTS LIST
34-01-1A
PAGE 0

34-01-1A

NOV 21/01

BOEING

707
PARTS CATALOG (MAINTENANCE)

FIGURE & ITEM NO.	MANUFACTURER'S PART NUMBER	NOMENCLATURE							EFF FROM TO	UNITS PER ASSY		
		1	2	3	4	5	6	7				
R R R R R	1A	QB34837	UNITS INSTL, WRT 701C WEATHER RADAR (VZ0268) (ADDED . . . MOD 7211.019-19 AND DELETED BY RAF MOD 7211.019-4) (SEE 24-3, FIG. 5B ITEM 1)							0150	RF	
		391-35-50-73924-001	ANTENNA INSTL, WEATHER RADAR AND IFF (VZ0031) (ALTERED FROM QA34829) (ADDED BY RAF MOD 7211.019-4) (SEE 24-3, FIG. 5B, ITEM 1)							0150	RF	
		1 QD34836	. PLACARD, RT1 (VZ0268)							0150	1	
		2 QD34836-1	. PLACARD, RT2 (VZ0268)							0150	1	
		3 622-5122-001	. RECEIVER TRANSMITTER UNIT, (VZ0268)							0150	2	
		4 622-5124-101	. TRAY, MTG (VZ0268).							0150	2	
			ATTACHING PARTS									
			. SCREW							0150	4	
			. WASHER.							0150	4	
			. WASHER.							0150	4	
		5	BACS14E400B	. . SHOCKMOUNT, (SALVAGED). (OPTIONAL 210-32S (V04655))							0150	3
		5	210-32S	. . SHOCKMOUNT, (SALVAGED) (V04655) (OPTIONAL TO BACS14E400B)							0150	3
		6	BACS14E500B	. . SHOCKMOUNT, (SALVAGED).							0150	1
				ATTACHING PARTS								
				. SCREW							0150	16
			. NUT							0150	16	
R R R R R R R R R R R R		391-34-40-74499-001	. RELAY INSTL, WEATHER RADAR (VZ0031) (ADDED BY RAF . . . MOD 7211.019-4)							0150	RF	
	15	XD4N	. . RELAY, (V35344)							0150	1	
		MS35206-267	. . SCREW							0150	1	
		MS35206-263	. . SCREW							0150	3	
		AN960J010	. . WASHER.							0150	8	
		AN960-10	. . WASHER.							0150	2	
		MS35338-42	. . WASHER, LOCK.							0150	1	
		MS21042-3	. . NUT							0150	4	
	50	391-22-10-74472-101							0150	2	
		MS35206-283	. . SCREW							0150	2	
		AN960J0416	. . WASHER.							0150	4	
		AN960-416	. . WASHER.							0150	4	
		MS35338-44	. . WASHER, LOCK.							0150	2	
		MS21042-4	. . NUT							0150	1	
		AM315-4	. . NUT							0150	1	
85	G154-32X16X40	. . JUMPER.							0150	1		

MISSING ITEM NUMBERS ARE NOT APPLICABLE

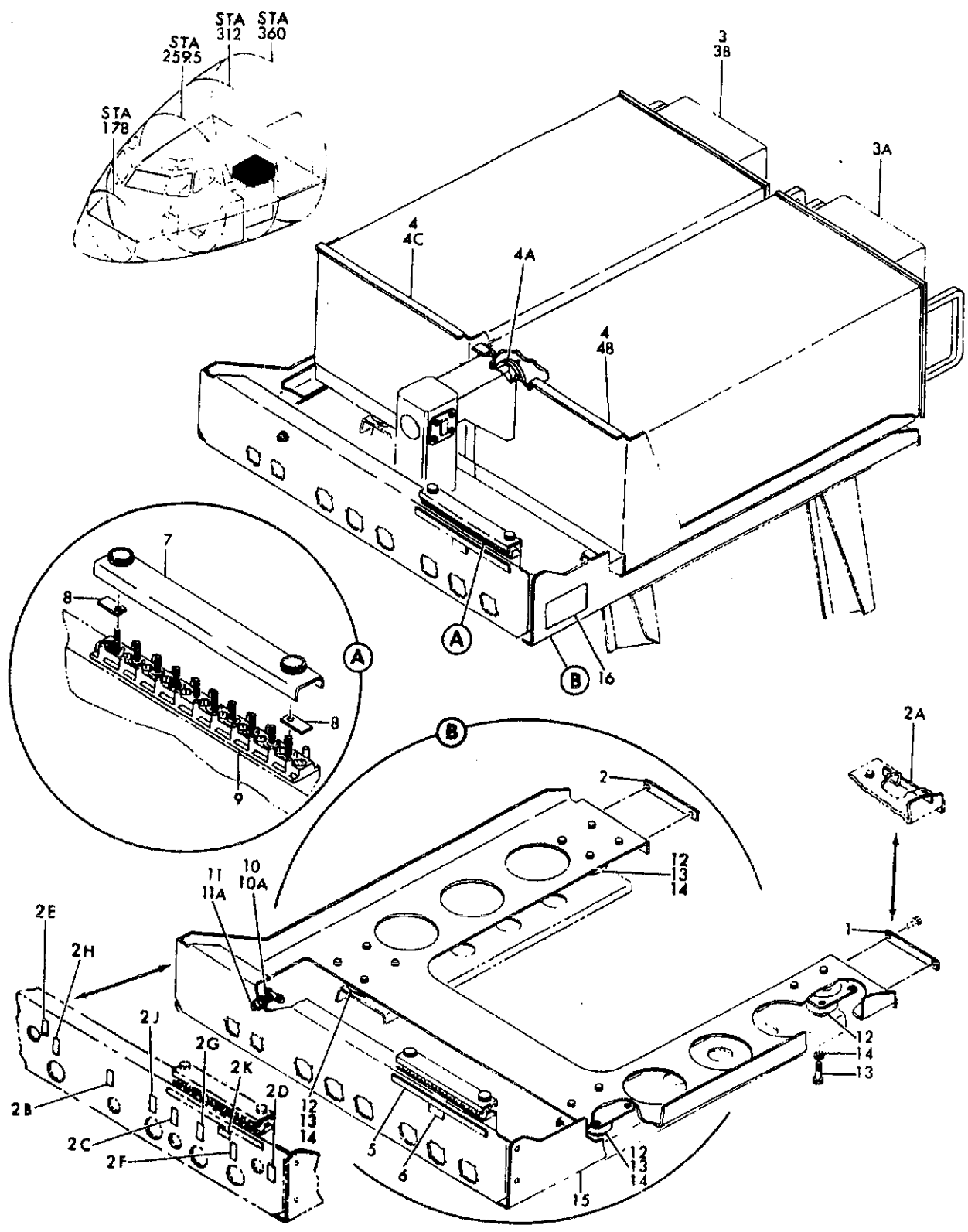


FIGURE 4C. UNITS INSTL, WEATHER RADAR DUAL



PARTS CATALOG

FIGURE & ITEM NO.	MANUFACTURER'S PART NUMBER	1 2 3 4 5 6 7	NOMENCLATURE	EFF FROM TO	UNITS PER ASSY
4C	65-71710-4		UNITS INSTL, WEATHER RADAR DUAL (SEE 24-3, FIG. 5D, . . . ITEM 47 AND 24-3, FIG. 5F, ITEM 23)	5199	RF
1	65-1945-218		. NAMEPLATE	5199	1
2	65-1945-219		. NAMEPLATE	5199	1
	BACS12CB04-5		ATTACHING PARTS		
	BACN10JCO4		. SCREW	5199	4
			. NUT	5199	4
			-----*		
3	2070410-0101		. TRANSMITTER RECEIVER, (V27914) (CUSTOMER FURNISHED) .	5151	2
3	2070410-0101		. TRANSMITTER RECEIVER, (V27914) (CUSTOMER FURNISHED) .	5299	1
3A	2070410-0108		. TRANSMITTER RECEIVER, (V27914) (CUSTOMER FURNISHED) .	5299	1
4	2070035-0103		. SHOCKMOUNT ASSY, (V27914) (CUSTOMER FURNISHED)	5199	1
4A	65-71710-5		. SEAL	5199	1
5	65-71710-2		. MARKER-ALUMINUM FOIL, 1 THRU 10 (ALTERED FROM DWG NO.;BACM10N90-2(GS)	5199	1
6	BACM10N10-2CAT		. MARKER-ALUMINUM FOIL, RT-16	5199	1
7	MS18029-1S10		. COVER	5199	1
8	MS25227-1A		. STRIP,, INSULATING	5199	2
9	MS27212-1-10		. TERMINAL BOARD ASSY	5199	1
	BACS12CB04-6		ATTACHING PARTS		
	BACN10JCO4		. SCREW	5199	2
			. NUT	5199	2
			-----*		
10A	UG274BU		. ADAPTER, TEE (V95712)	5199	1
11A	UG492DU		. ADAPTER, STRAIGHT (V95712).	5199	1
12	BACS14E400B		. SHOCKMOUNT.	5199	4
	BACS12CB3-8		ATTACHING PARTS		
			. SCREW	5199	16
			-----*		
13	MS16997-59		. SCREW	5199	4
14	MS35340-25		. WASHER.	5199	4
15	65-71709-5		. BRACKET ASSY, DISCONNECT SUPPORT.	5199	1

MISSING ITEM NUMBERS ARE NOT APPLICABLE

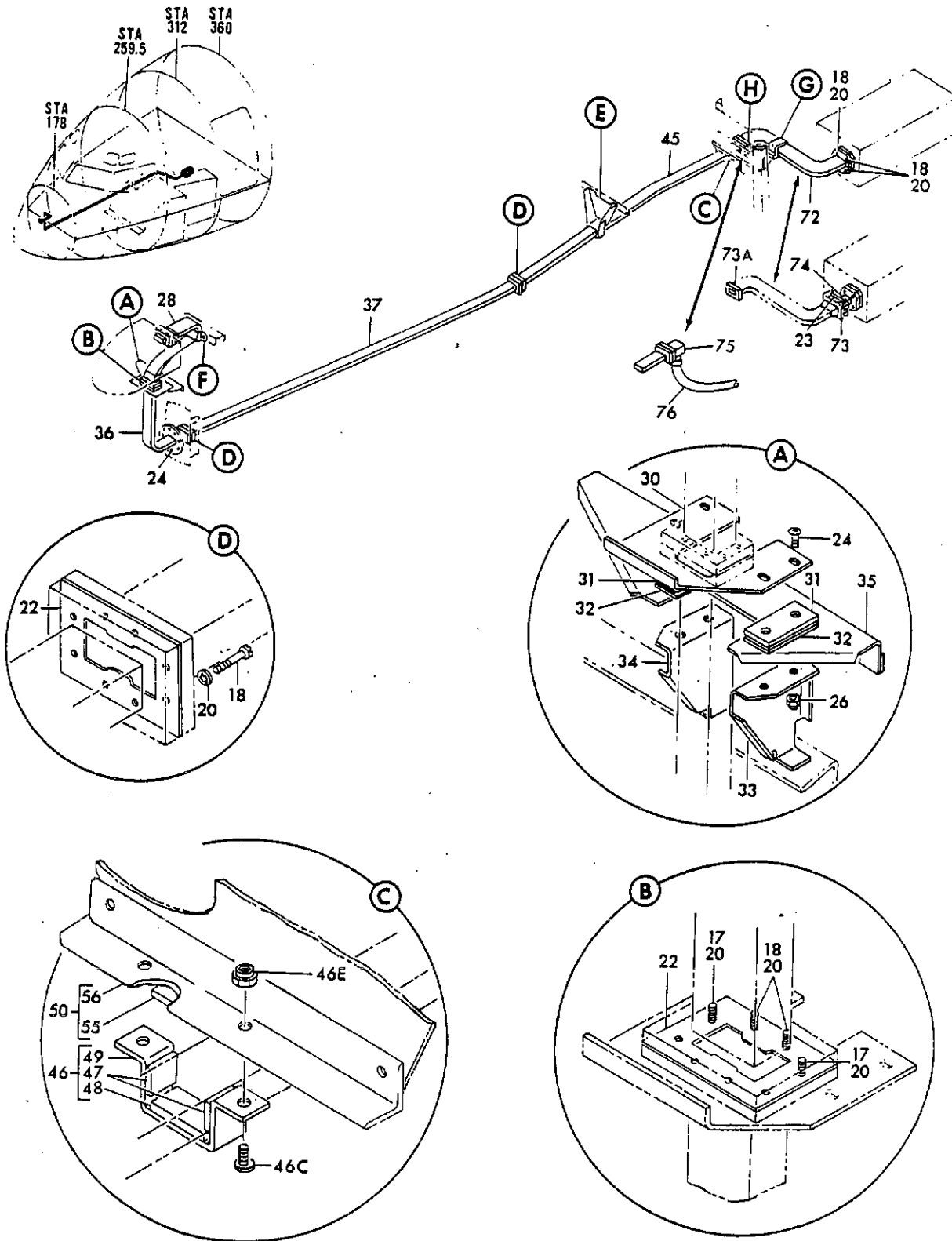


FIGURE 6. WAVEGUIDE INSTL, WEATHER RADAR (SHEET 1)

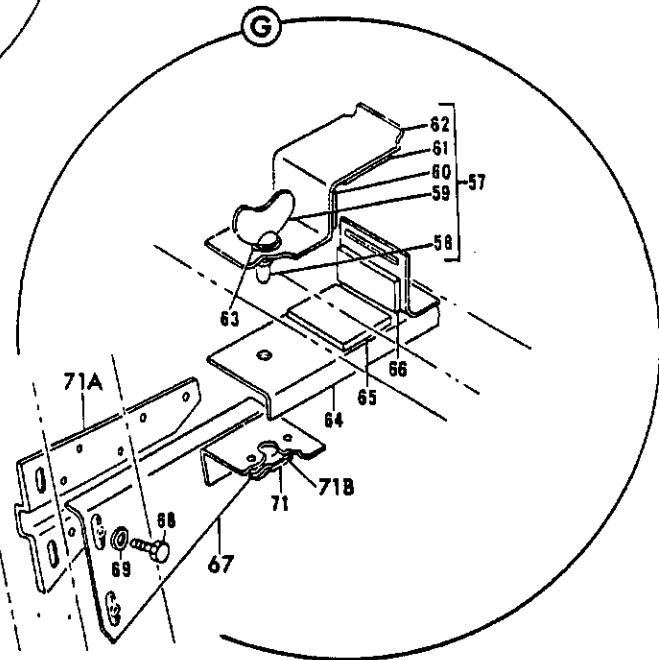
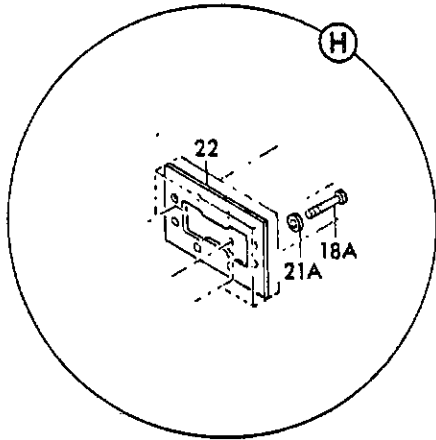
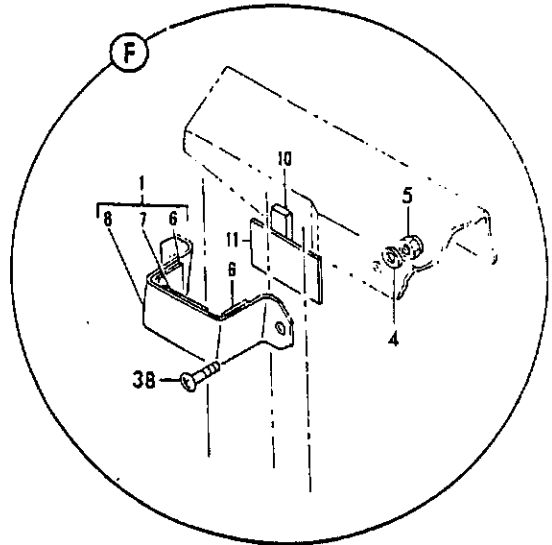
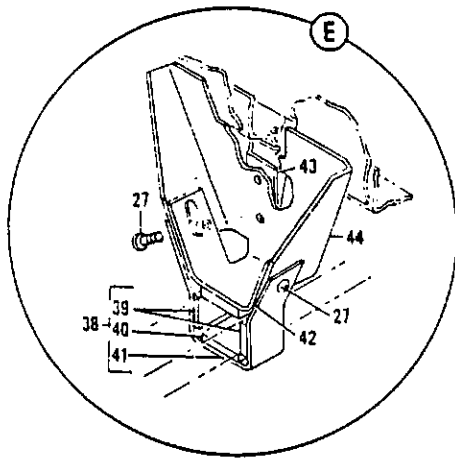


FIGURE 6. WAVEGUIDE INSTL, WEATHER RADAR (SHEET 2)

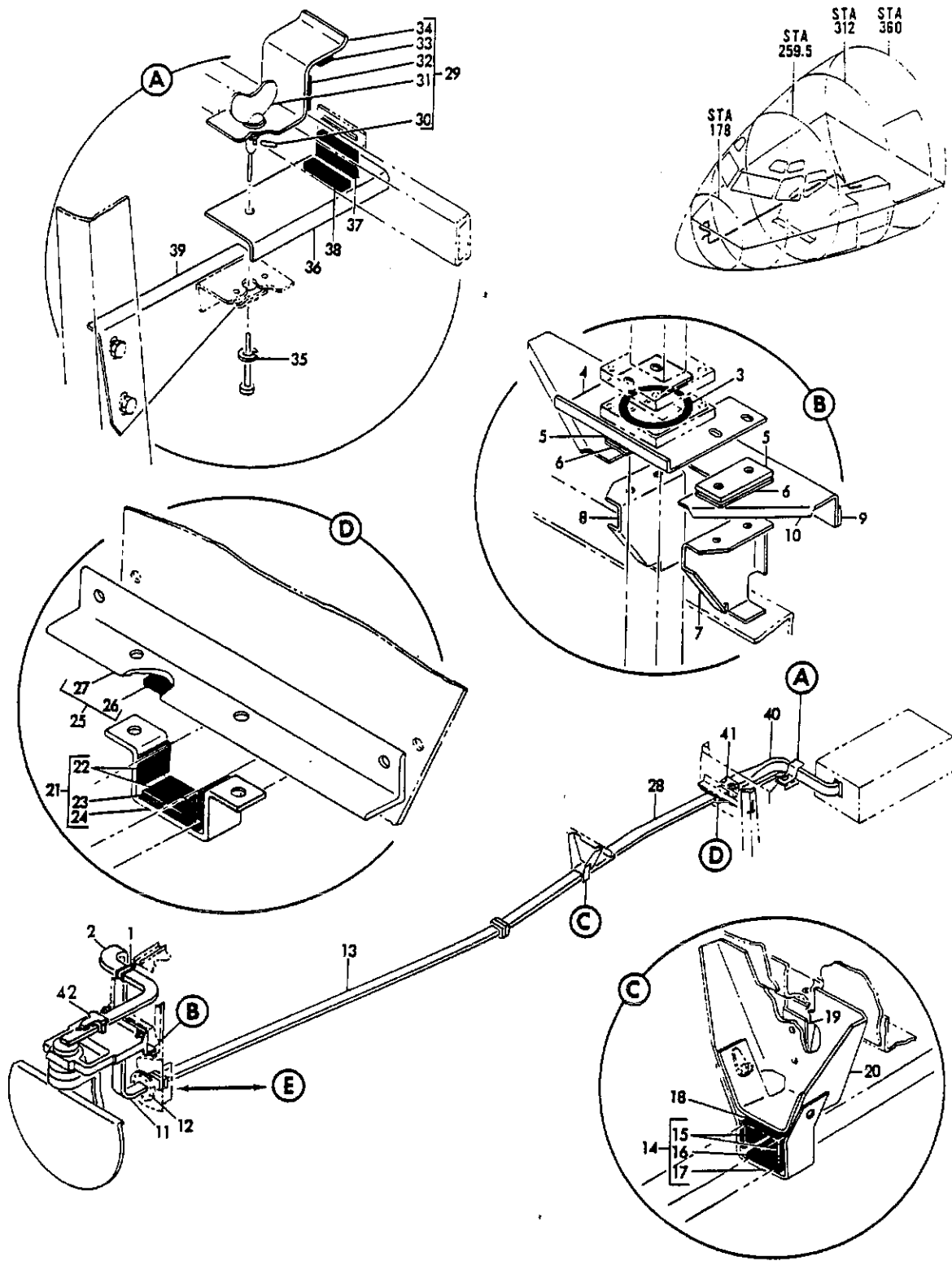


FIGURE 8A. WAVEGUIDE INSTL, WEATHER RADAR X BAND (SHEET 1)

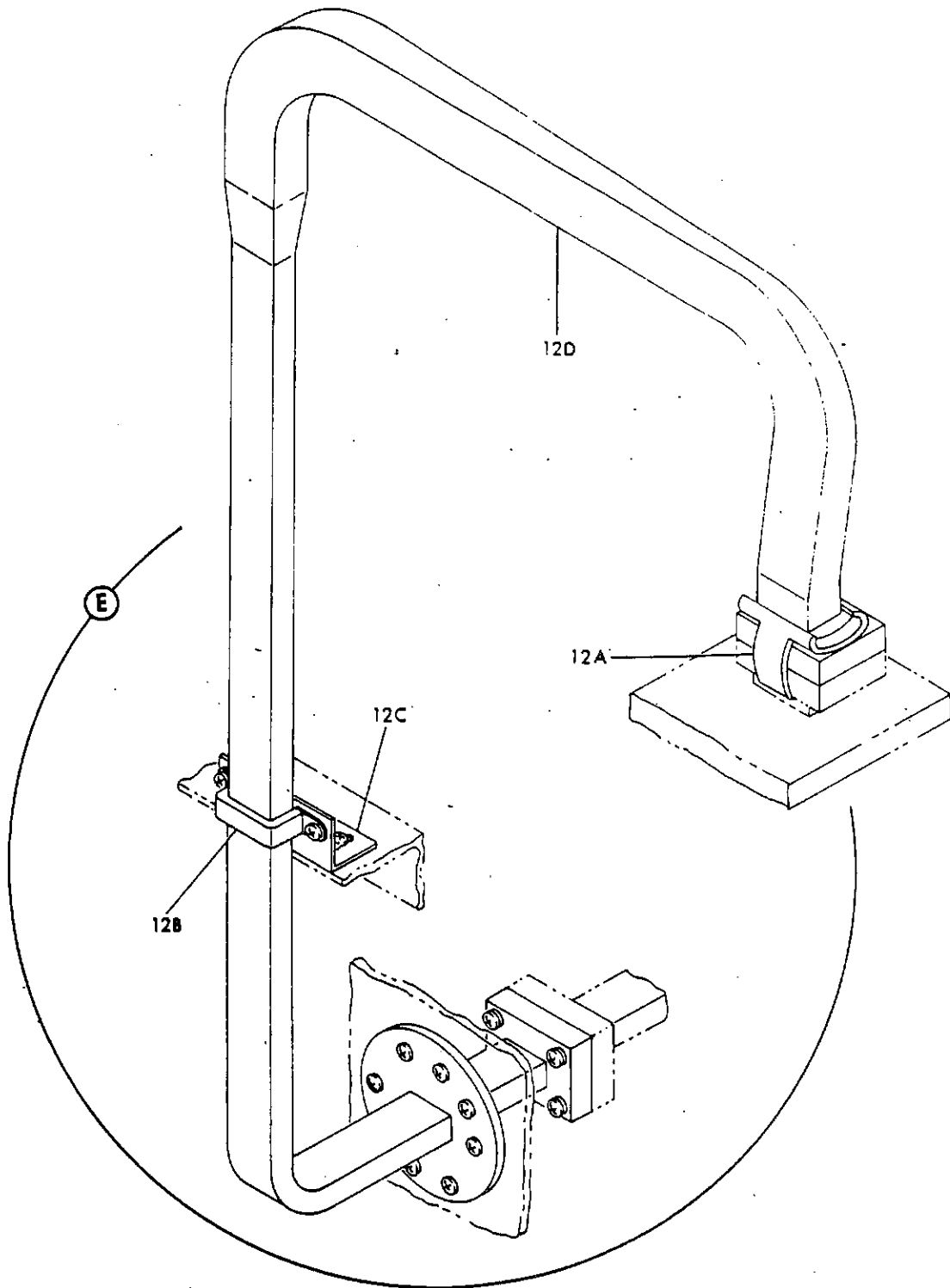


FIGURE 8A. WAVEGUIDE INSTL. WEATHER RADAR X BAND (SHEET 2)

NOV 21/90

34-01-8A

DETAILED PARTS LIST
34-01-8A
PAGE 1



PARTS CATALOG

FIGURE & ITEM NO.	MANUFACTURER'S PART NUMBER	1 2 3 4 5 6 7	NOMENCLATURE	EFF FROM TO	UNITS PER ASSY
8A	65-8793-4		WAVEGUIDE INSTL, WEATHER RADAR X BAND (SEE 24-3, FIG. 5A, ITEM 75, 24-3, FIG. 5D, ITEM 4 AND 24-3, FIG. 5F, ITEM 3)	5199	RF
12A	TQ64001		. CLAMP, QUICK (V20019)	5199	1
12B	TA9C8D8-16V		. CLAMP, QUICK DISCONNECT (V84971)	5199	1
			ATTACHING PARTS		
	NAS602-7P		. SCREW	5199	2
	AN960DBL		. WASHER	5199	2
	NAS679A08		. NUT	5199	2
12C	69-55625-3		. ANGLE	5199	1
			ATTACHING PARTS		
	NAS603-7P		. SCREW	5199	2
	AN960DBL		. WASHER	5199	2
	NAS679A08		. NUT	5199	2
12D	10-60207-20		. WAVEGUIDE ASSY, FLEXIBLE	5199	1
			ATTACHING PARTS		
	BACS12AF6		. SCREW	5199	4
	MS35338-42		. WASHER	5199	4
13	10-60207-2		. WAVEGUIDE ASSY, RIGID	5199	1
			ATTACHING PARTS		
	BACS12AF6		. SCREW	5199	4
	MS35338-42		. WASHER	5199	4
14	66-2706-2		. TIE ASSY	5199	1
			ATTACHING PARTS		
	NAS603-5		. SCREW	5199	2
15	63-1709-4		. WEDGE	5199	2
16	63-1709-5		. WEDGE	5199	1
17	66-2706-1		. TIE	5199	1
18	63-1709-5		. WEDGE	5199	1
19	63-1407		. BRACE	5199	1
20	69-1832		. SUPPORT	5199	1
21	63-8616		. CLAMP ASSY	5199	1
			ATTACHING PARTS		
	BACS12CB3-6		. SCREW	5199	2
	NAS679A3W		. NUT	5199	2
22	63-1709-2		. WEDGE	5199	2
23	63-1709-3		. WEDGE	5199	1
24	63-1430-1		. CLAMP	5199	1
25	66-3293-2		. SUPPORT ASSY	5199	1
26	63-1709-1		. WEDGE	5199	1
27	66-3293-3		. SUPPORT	5199	1
28	10-60207-3		. WAVEGUIDE ASSY, RIGID	5199	1
			ATTACHING PARTS		
	BACS12AF6		. SCREW	5199	4
	MS35338-42		. WASHER	5199	4
40	10-60207-18		. WAVEGUIDE ASSY, FLEXIBLE	5199	1
41	TQ64001		. CLAMP, QUICK DISCONNECT (V20019)	5199	1

MISSING ITEM NUMBERS ARE NOT APPLICABLE

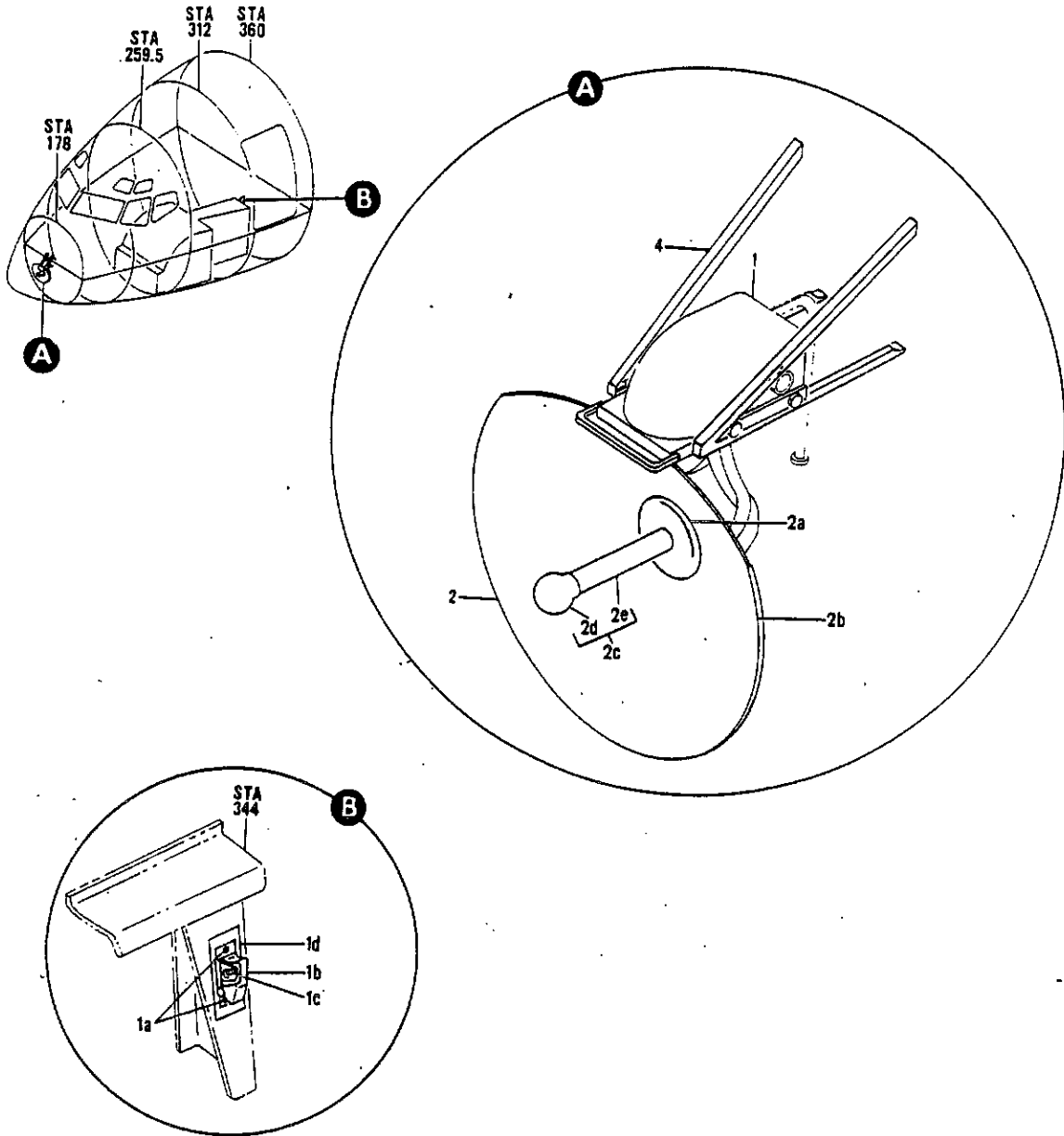


FIGURE 9. ANTENNA INSTL, WEATHER RADAR
 SUPPORT INSTL, STATION 158. 90 ANTENNA



PARTS CATALOG

FIGURE & ITEM NO.	MANUFACTURER'S PART NUMBER	NOMENCLATURE							EFF FROM TO	UNITS PER ASSY	
		1	2	3	4	5	6	7			
R R R R R R R R R R R R R R R	9		ANTENNA INSTL, WEATHER RADAR (NAVIGATION ONLY)							0150	
		65-2911	SUPPORT INSTL, STATION 158.90 ANTENNA							0150	
			. ANTENNA INSTL, WEATHER RADAR (NAVIGATION ONLY)							0150	RF
			(DELETED BY RAF MOD 7211.019-119) (SEE 24-3, FIG. 5B, ITEM 1)								
	1	MI37587	. . . ANTENNA ASSY, AVQ-10 (V59495) (CONSISTS OF							0150	1
			MI37513-2 AND MI37536 (V01294)) (CUSTOMER FURNISHED)								
			(OPTIONALS MI37587-1 (V59495) (CONSISTS OF MI37513-4 AND MI37536 (V01294)) MI37587-2 (V59495) (CONSISTS OF MI37513-6 AND MI37536 (V01294)) MI37587-3 (V59495) (CONSISTS OF MI37513-7 AND MI37536 (V01294)) MI37587-5 (V59495) (CONSISTS OF MI37513-8 AND MI37536 (V01294)) (CUSTOMER FURNISHED)								
	1	MI37587-1	. . . ANTENNA ASSY, AVQ-10 (V59495) (CONSISTS OF							0150	1
			MI37513-4 AND MI37536 (V01294)) (CUSTOMER FURNISHED)								
			(OPTIONAL TO MI37587 (V59495) (CONSISTS OF MI37513-2 AND MI37536 (V01294))) (CUSTOMER FURNISHED)								
	1	MI37587-2	. . . ANTENNA ASSY, AVQ-10 (V59495) (CONSISTS OF							0150	1
			MI37513-6 AND MI37536 (V01294)) (CUSTOMER FURNISHED)								
			(OPTIONAL TO MI37587 (V59495) (CONSISTS OF MI37513-2 AND MI37536 (V01294))) (CUSTOMER FURNISHED)								
	1	MI37587-3	. . . ANTENNA ASSY, AVQ-10 (V59495) (CONSISTS OF							0150	1
			MI37513-7 AND MI37536 (V01294)) (CUSTOMER FURNISHED)								
		(OPTIONAL TO MI37587 (V59495) (CONSISTS OF MI37513-2 AND MI37536 (V01294))) (CUSTOMER FURNISHED)									
1	MI37587-5	. . . ANTENNA ASSY, AVQ-10 (V59495) (CONSISTS OF							0150	1	
		MI37513-8 AND MI37536 (V01294)) (CUSTOMER FURNISHED)									
		(OPTIONAL TO MI37587 (V59495) (CONSISTS OF MI37513-2 AND MI37536 (V01294))) (CUSTOMER FURNISHED)									
R		BACB30NE4H23	ATTACHING PARTS								
			. . . BOLT							0150	4
R	2	MI37515	. . . REFLECTOR AND FEED ASSY, AVQ-10 WEATHER RADAR . . .							0150	1
			34 IN. DISH (V59495) (CUSTOMER FURNISHED)								
			(OPTIONALS MI37515-1, MI37534-2 (V59495))								
R	2	MI37515-1	. . . REFLECTOR AND FEED ASSY, AVQ-10 34 IN. DISH . . .							0150	1
			(V59495) (CUSTOMER FURNISHED)								
			(OPTIONAL TO MI37515 (V59495) (CUSTOMER FURNISHED))								
R	2	MI37534-2	. . . REFLECTOR AND FEED ASSY, AVQ-10 (V59495) (CUSTOMER							0150	1
			FURNISHED)								
			(OPTIONAL TO MI37515 (V59495) (CUSTOMER FURNISHED))								
R		65-2028	. . . FOR REFERENCE TO OTHER ANTENNA DETAILS, SEE NHA . . .							0150	
			. SUPPORT INSTL, STATION 158.90 ANTENNA (DELETED BY . . .							0150	RF
			RAF MOD 7211.019-119) (SEE 53-2, FIG. 1 ITEM 28)								
R	4	65-2028-1	. . . SUPPORT ASSY, STATION 158.90 ANTENNA							0150	1
			ATTACHING PARTS								
R		AN4-5A	. . . BOLT							0150	3
		AN4-16A	. . . BOLT							0150	2
R		AN9600416	. . . WASHER							0150	5
		NAS43004-59	. . . SPACER							0150	2
R		NAS679A4W	. . . NUT							0150	5

MISSING ITEM NUMBERS ARE NOT APPLICABLE

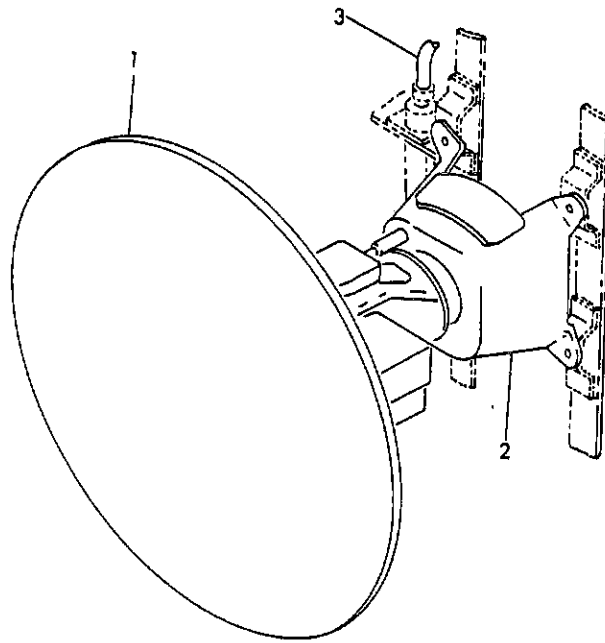
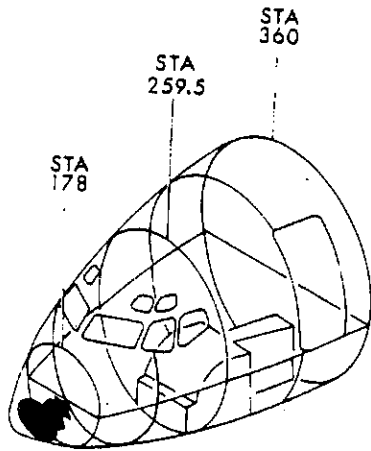


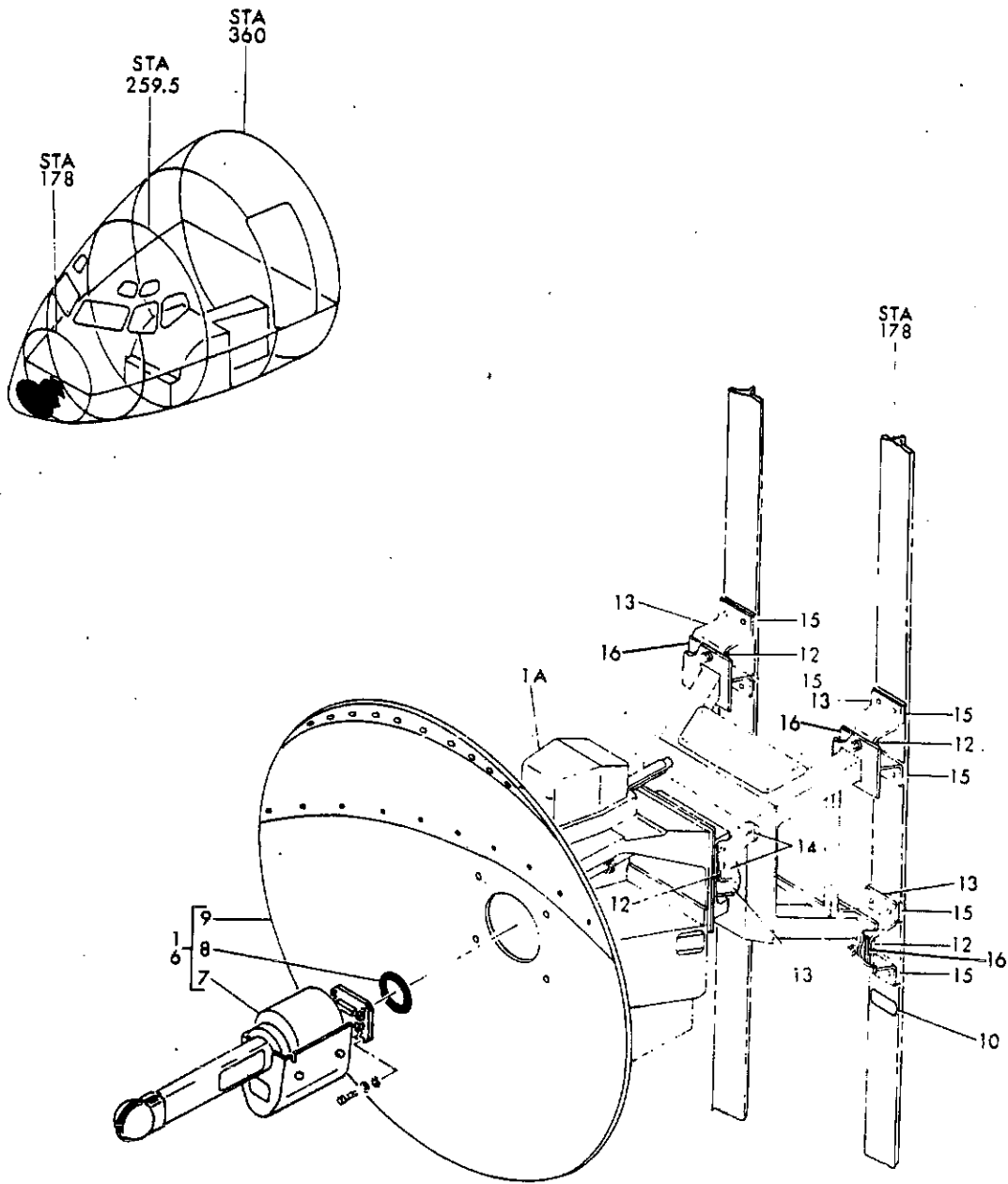
FIGURE 90. ANTENNA INSTL, WEATHER RADAR



PARTS CATALOG

FIGURE & ITEM NO.	MANUFACTURER'S PART NUMBER	1 2 3 4 5 6 7	NOMENCLATURE	EFF	UNITS
				FROM TO	PER ASSY
9D	QA34829		ANTENNA INSTL, WEATHER RADAR (VZ0268) (ADDED BY RAF . . . MOD 7211.019-119) (SEE 24-3, FIG. 5B, ITEM 1)	0150	RF
1	622-5127-001		. PLATE, ANTENNA (VZ0268)	0150	1
2	622-5126-002		. PEDESTAL, ANTENNA (VZ0268).	0150	1
	AN6-14		ATTACHING PARTS		
	AN960-616		. BOLT.	0150	4
			. WASHER.	0150	4
3	QA34829-2		. CABLE ASSY, COAX.	0150	1

MISSING ITEM NUMBERS ARE NOT APPLICABLE



ANTENNA INSTL. ANT-1S, ANT-1T AVQ30X AND AVQ30XX
FIGURE 10B. SUPPORT INSTL. WEATHER RADAR SPLIT AXIS



PARTS CATALOG

FIGURE & ITEM NO.	MANUFACTURER'S PART NUMBER	NOMENCLATURE							EFF FROM TO	UNITS PER ASSY
		1	2	3	4	5	6	7		
10B		ANTENNA INSTL, ANT-IS							5199	
		SUPPORT INSTL, WEATHER RADAR SPLIT AXIS							5199	
	65-69445-6	. ANTENNA INSTL, ANT-IS (SEE 24-3, FIG. 5D, ITEM 2)							5199	RF
1A	2070409-0101	. . ANTENNA, (V27914) (CUSTOMER FURNISHED).							5199	1
		ATTACHING PARTS								
	NAS1306-10H	. . BOLT.							5199	4
	AN970-6	. . WASHER.							5199	4
	65-69449-1	. SUPPORT INSTL, WEATHER RADAR SPLIT AXIS (SEE 53-2,							5199	RF
		FIG. 1, ITEM 28)								
12	65-69449-2	. . FILLER, RADIUS.							5199	4
13	69-55649-1	. . CHANNEL, SUPPORT.							5199	4
14	65-69449-3	. . FILLER.							5199	2
15	65-69449-4	. . FILLER.							5199	6

MISSING ITEM NUMBERS ARE NOT APPLICABLE

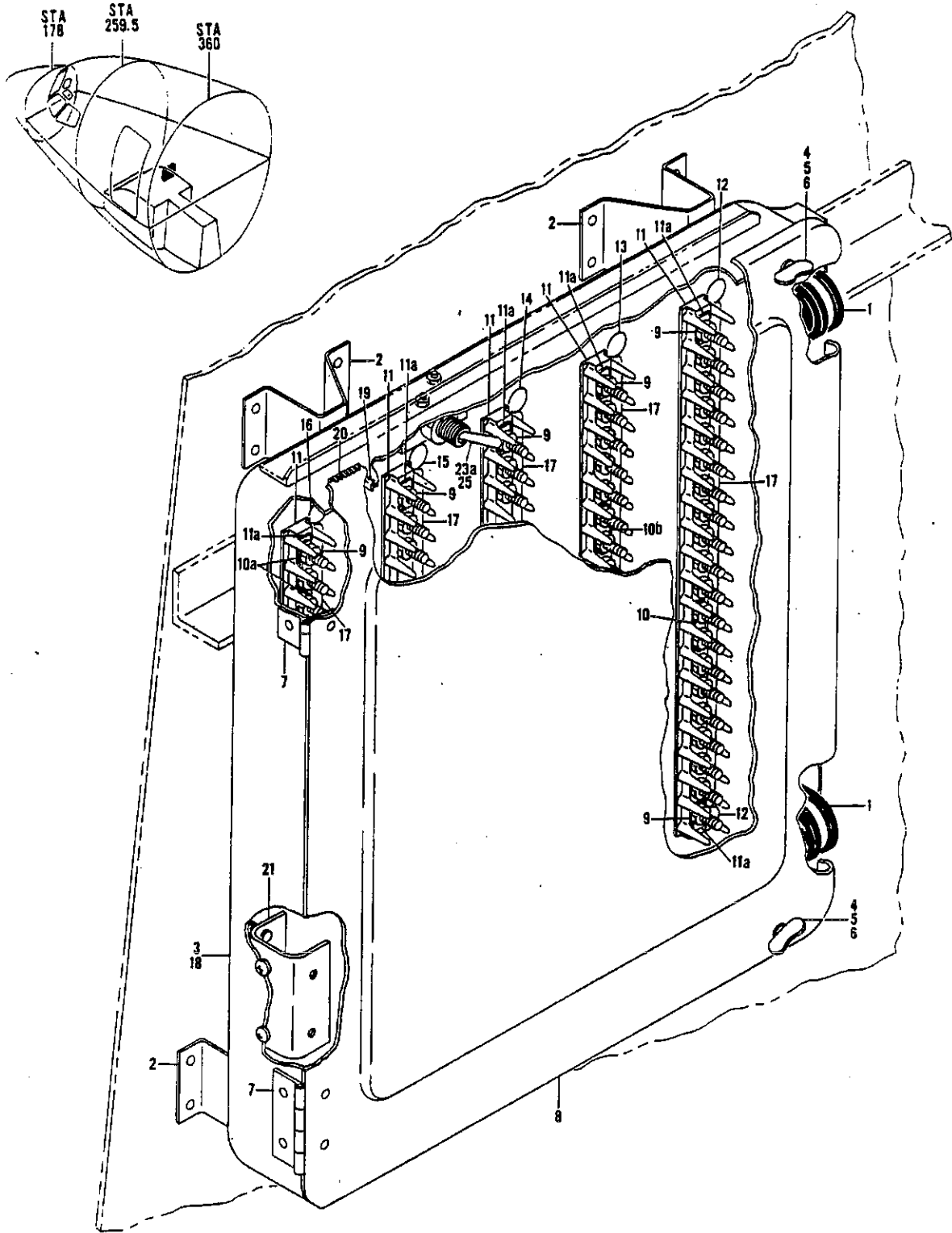


FIGURE 11. BOX INSTL. WEATHER RADAR JUNCTION BOX
 SWITCH INSTL. WEATHER RADAR ANTENNA SCAN



PARTS CATALOG

FIGURE & ITEM NO.	MANUFACTURER'S PART NUMBER	NOMENCLATURE	EFF	UNITS
			FROM TO	PER ASSY
R R R R R R R R R R R	11	BOX INSTL, WEATHER RADAR JUNCTION	0150	
		SWITCH INSTL, WEATHER RADAR ANTENNA SCAN.	0150	
		. BOX INSTL, WEATHER RADAR JUNCTION (NAVIGATION ONLY)	0150	RF
		(SEE 24-3, FIG. 5, ITEM 27, 24-3, FIG. 5A, ITEM 27, 24-3, FIG. 5B, ITEM 27, 24-3, FIG. 5C, ITEM 44, 24-3, FIG. 5D, ITEM 43A, 24-3, FIG. 5E, ITEM 18 AND 24-3, FIG. 5F, ITEM 18)		
	1	. . . CLAMP, (OPTIONAL MS21919DG17)	0150	2
		ATTACHING PARTS		
		. . . SCREW	0150	2
		. . . WASHER.	0150	2
		. . . NUT	0150	2

	2	66-1607	. . . BRACKET, WEATHER RADAR JUNCTION BOX SUPPORT	0150
3	50-10801-1	. . . BOX ASSY, WEATHER RADAR JUNCTION.	0150	1
		ATTACHING PARTS		
		. . . SCREW	0150	4
		. . . WASHER.	0150	4
		. . . NUT	0150	4

4	BACS21AB2W	. . . STUD ASSY	0150	2
5	BACM10X6	. . . WASHER.	0150	2
6	BACR11Z1	. . . RECEPTACLE ASSY	0150	2
7	50-10801-4	. . . HINGE, WEATHER RADAR JUNCTION BOX (ALTERED FROM AN257-4-200)	0150	2
8	50-10801-3	. . . COVER, WEATHER RADAR JUNCTION BOX	0150	1
9	NAS679A06W	. . . NUT	0150	AR
10	MS25226-2-2	. . . BUS	0150	1
11	MS25123-1-20	. . . TERMINAL BLOCK ASSY	0150	5
		ATTACHING PARTS		
		. . . SCREW	0150	15
		. . . WASHER.	0150	15
		. . . NUT	0150	15

11A	MS25227-1	. . . STRIP	0150	10
12	BACM10L00-10C	. . . APPLIQUE, A	0150	2
13	BACM10L00-10D	. . . APPLIQUE, B	0150	2
14	BACM10L00-10E	. . . APPLIQUE, C	0150	2
15	BACM10L00-10F	. . . APPLIQUE, D	0150	2
16	BACM10L00-10G	. . . APPLIQUE, E	0150	2
17	BACM10N110-2CRB	. . . APPLIQUE, 1 THRU 20	0150	5
18	50-10801-5	. . . BOX, WEATHER RADAR JUNCTION	0150	1
19	BACG20ZA148	. . . GROMMET	0150	1
20	BACG20ZA150	. . . GROMMET	0150	1
		. . . FOR REFERENCE TO OTHER BOX DETAILS, SEE NHA	0150	
	69-12743-1	. SWITCH INSTL, WEATHER RADAR SCAN (NAVIGATION ONLY)	0150	RF
		(SEE 24-3, FIG. 5, ITEM 26, 24-3, FIG. 5A, ITEM 26, 24-3, FIG. 5B, ITEM 26, 24-3, FIG. 5C, ITEM 43, 24-3, FIG. 5D, ITEM 5, 24-3, FIG. 5E, ITEM 17 AND 24-3, FIG. 5F, ITEM 17)		
25	A3-40G4-1	. . . SWITCH, TOGGLE (V81640)	0150	1
		. . . FOR REFERENCE TO OTHER SWITCH DETAILS, SEE NHA.	0150	

MISSING ITEM NUMBERS ARE NOT APPLICABLE

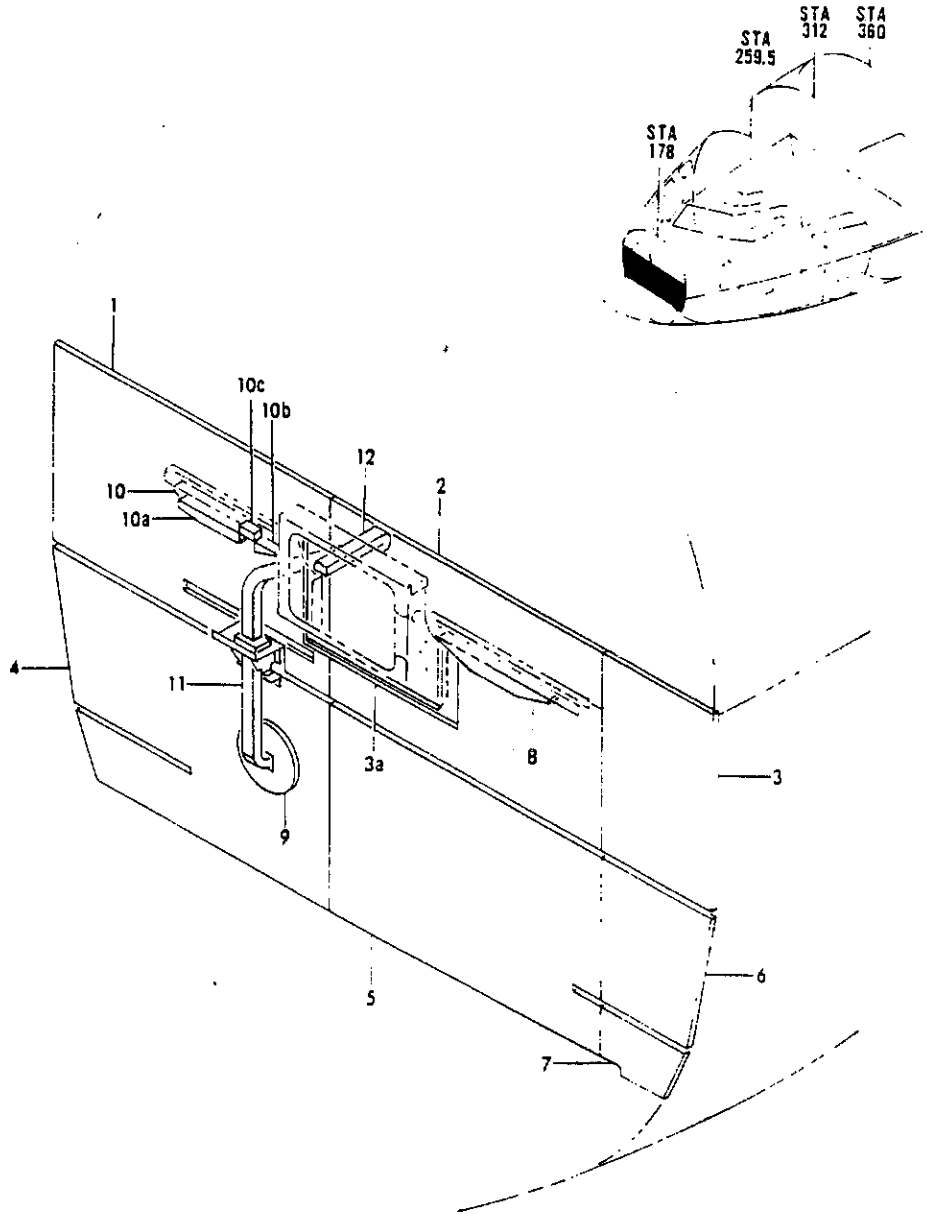


FIGURE 12. ABSORBER INSTL, WEATHER RADAR RF RADIATION

BOEING

707
PARTS CATALOG (MAINTENANCE)

FIGURE & ITEM NO.	MANUFACTURER'S PART NUMBER	NOMENCLATURE							EFF FROM TO	UNITS PER ASSY	
		1	2	3	4	5	6	7			
R R	12	65-3416	ABSORBER INSTL, WEATHER RADAR RF RADIATION (DELETED . . . BY RAF MOD 7211.019-4) (SEE 24-3, FIG. 5B, ITEM 12)							0150	RF
	1	65-3416-1	. ABSORBER, WEATHER RADAR RF RADIATION.							0150	1
	2	65-3416-2	. ABSORBER, WEATHER RADAR RF RADIATION.							0150	1
	3	65-3416-3	. ABSORBER, WEATHER RADAR RF RADIATION.							0150	1
	4	65-3416-13	. ABSORBER, WEATHER RADAR RF RADIATION.							0150	1
	5	65-3416-5	. ABSORBER, WEATHER RADAR RF RADIATION.							0150	1
	6	65-3416-14	. ABSORBER, WEATHER RADAR RF RADIATION.							0150	1
	7	65-3416-7	. ABSORBER, WEATHER RADAR RF RADIATION.							0150	1
	8	65-3416-8	. ABSORBER, WEATHER RADAR RF RADIATION.							0150	1
	9	65-3416-9	. ABSORBER, WEATHER RADAR RF RADIATION.							0150	1
	10	65-3416-10	. ABSORBER, WEATHER RADAR RF RADIATION.							0150	1

MISSING ITEM NUMBERS ARE NOT APPLICABLE

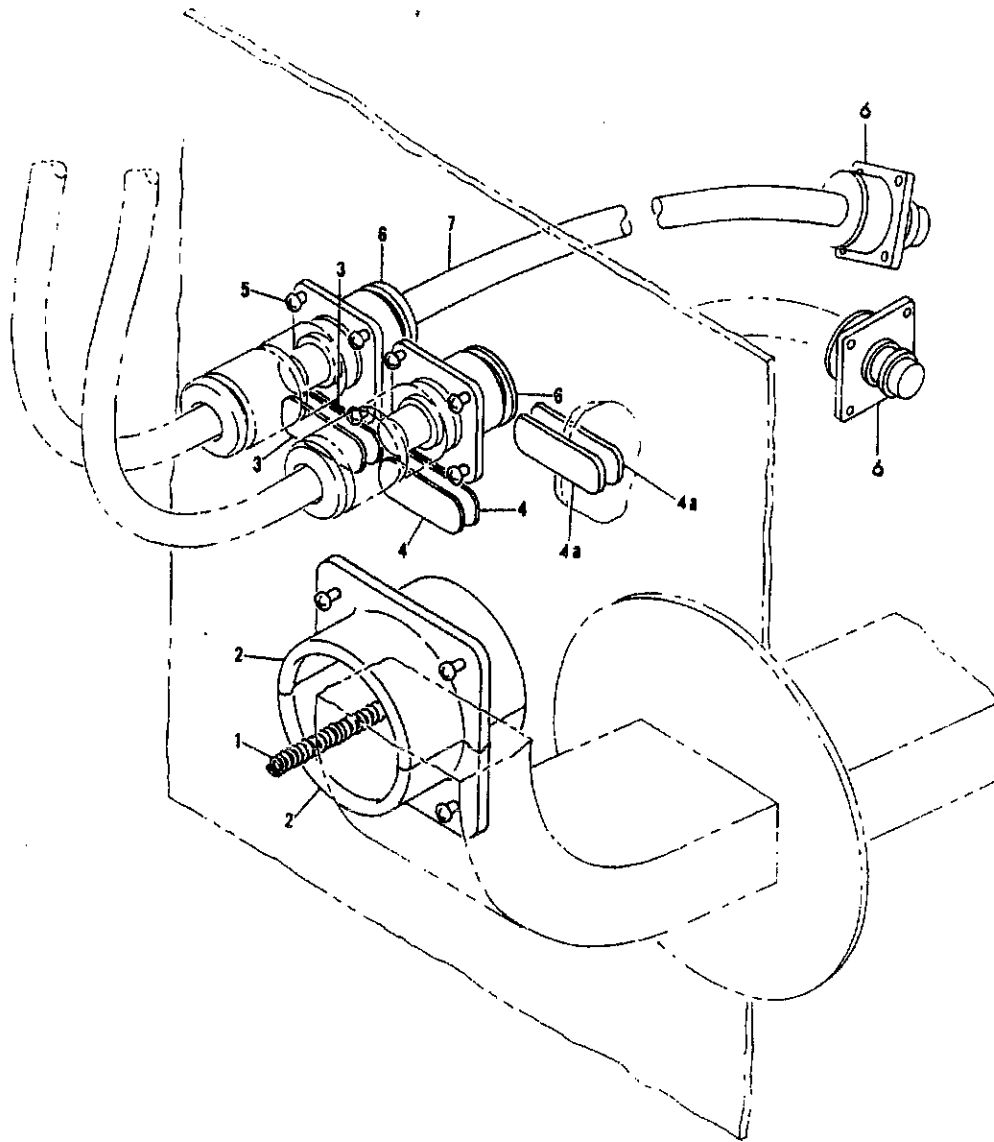
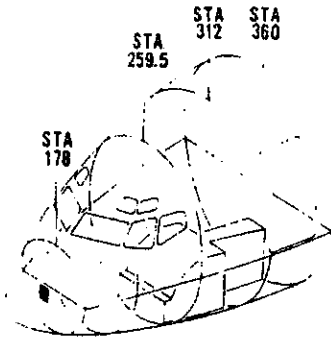


FIGURE 13. SEAL INSTL, STATION 178 ELECTRONIC WIRES

PARTS CATALOG

FIGURE & ITEM NO.	MANUFACTURER'S PART NUMBER	NOMENCLATURE							EFF FROM TO	UNITS PER ASSY	
		1	2	3	4	5	6	7			
R R R R R R R R R R	13	69-4332	SEAL INSTL, STATION 178 ELECTRONIC WIRES (SEE 24-3, . . . FIG. 5, ITEM 108, 24-3, FIG. 5A, ITEM 139, 24-3, FIG. 5B, ITEM 135, 24-3, FIG. 5C, ITEM 156, 24-3, FIG. 5D, ITEM 139, 24-3, FIG. 5E, ITEM 94 AND 24-3, FIG. 5F, ITEM 83)							0150	RF
	1	BACS45A20	. SPACER.							0150	1
	2	BACS45A11	. SEAL.							0150	2
			ATTACHING PARTS								
		NAS601-8P	. SCREW							0150	4
		AN960P06L	. WASHER.							0150	4
		BACN10JC06	. NUT							0150	4
			-----*								
		BACM10L10-1BPV	. APPLIQUE, GL-SL 1							0150	2
		BACM10L10-1BPW	. APPLIQUE, GL-SL 2							0150	2
	4A BACM10P10-38Z	. APPLIQUE, RAD-TEL							0150	2	
	5 NAS601-4P	. SCREW							0150	8	

MISSING ITEM NUMBERS ARE NOT APPLICABLE

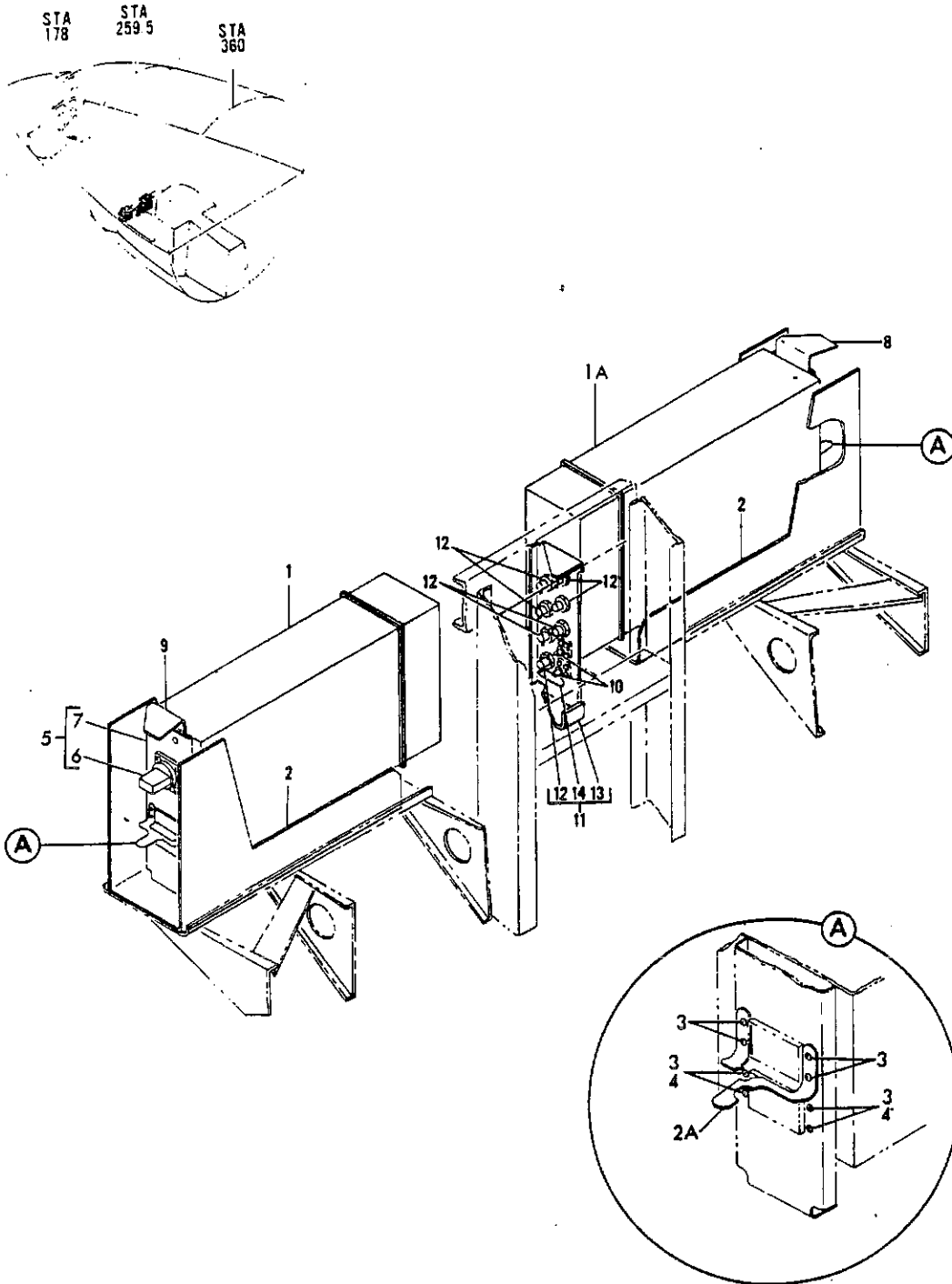


FIGURE 15. UNIT INSTL, DOPPLER RADAR RECEIVER TRANSMITTER
SUPPORT INSTL, DOPPLER RADAR RECEIVER TRANSMITTER UNIT



PARTS CATALOG

FIGURE & ITEM NO.	MANUFACTURER'S PART NUMBER	NOMENCLATURE	EFF	UNITS
			FROM TO	PER ASSY
R R R R R R R R R R R R R R	15	UNIT INSTL, DOPPLER RADAR RECEIVER TRANSMITTER.	0150	
		SUPPORT INSTL, DOPPLER RADAR RECEIVER TRANSMITTER . . .	0150	
		UNIT		
		. UNIT INSTL, DOPPLER RADAR RECEIVER TRANSMITTER (SEE .	0150	RF
		24-3, FIG. 5, ITEM 76, 24-3, FIG. 5A, ITEM 76,		
		24-3, FIG. 5B, ITEM 76, 24-3, FIG. 5C, ITEM 90,		
		24-3, FIG. 5D, ITEM 79 AND 24-3, FIG. 5F,		
		ITEM 53)		
		. . RECEIVER/TRANSMITTER UNIT, (CUSTOMER FURNISHED) . .	0150	1
		. . RECEIVER/TRANSMITTER UNIT, (CUSTOMER FURNISHED) . .	0150	1
		. . SHOCKMOUNT, RECEIVER TRANSMITTER UNIT (CUSTOMER . .	0150	2
		FURNISHED)		
		ATTACHING PARTS		
		. . SCREW	0150	4
R	AN505-4-6			
R	65-54009-1	. SUPPORT INSTL, DOPPLER RADAR RECEIVER TRANSMITTER . .	0150	RF
R		UNIT (SEE 24-3, FIG. 5, ITEM 10, 24-3, FIG. 5A,		
R		ITEM 10, 24-3, FIG. 5B, ITEM 10, 24-3, FIG. 5C,		
R		ITEM 12, 24-3, FIG. 5D, ITEM 17 AND 24-3, FIG.		
R		5F, ITEM 8)		
R	3	BACSI2BF02C6	0150	16
R		. . SCREW		
R		(OPTIONAL AN505-2-6)		
R	3	AN505-2-6	0150	16
R		. . SCREW		
R		(OPTIONAL TO BACSI2BF02C6)		
R	4	BACN10DN26	0150	8
R		. . NUT		
R	5	65-54009-2	0150	2
R		. . SUPPORT ASSY, DOPPLER RADAR RECEIVER TRANSMITTER . .		
R		UNIT WAVEGUIDE (TO BE REMOVED UPON INSTALLATION		
R		OF SHOCKMOUNT)		
R		ATTACHING PARTS		
R		. . NUT	0150	8
R		. . SCREW	0150	8
R		-----*		
R	6	TR64763	0150	1
R		. . WAVEGUIDE, DUMMY (V20019)		
R		ATTACHING PARTS		
R		. . NUT	0150	4
R		. . SCREW	0150	4
R		-----*		
R	7	66-26060	0150	1
R		. . BRACKET, RADAR COMPONENTS MOUNTING.		
R	8	66-26060-1	0150	1
R		. . CLIP, RADAR COMPONENTS MOUNTING BRACKET SUPPORT . .		
R		(TO BE REMOVED UPON INSTALLATION OF SHOCKMOUNT)		
R		. . CLIP, RADAR COMPONENTS MOUNTING BRACKET SUPPORT (TO	0150	1
R		BE REMOVED UPON INSTALLATION OF SHOCKMOUNT)		
R		ATTACHING PARTS		
R		. . SCREW	0150	4
R		. . NUT	0150	4
R		-----*		
R	11	65-54009-5	0150	1
R		. . PANEL ASSY, DOPPLER RADAR RECEIVER TRANSMITTER UNIT		
R		CONNECTOR		
R		ATTACHING PARTS		
R		. . SCREW	0150	2
R		. . SCREW	0150	2
R		. . NUT	0150	4
R		-----*		
R	12	UG492BU	0150	7
R		. . ADAPTER, ELECTRICAL (V95712).		
R	13	66-26056	0150	1
R		. . PANEL, DOPPLER RADAR ELECTRICAL CONNECTOR		
R	14	BACM9LASP	0150	1
		. . SCOTCH CAL, RM 1240		

MISSING ITEM NUMBERS ARE NOT APPLICABLE

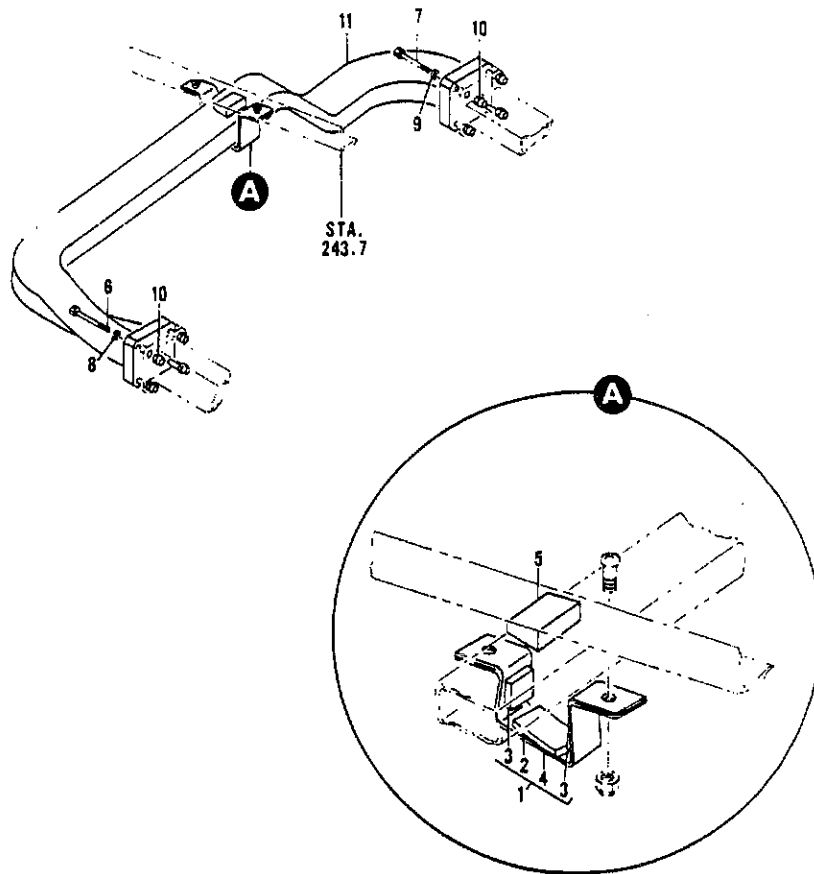
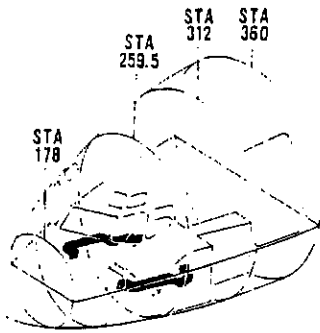


FIGURE 19. WAVEGUIDE INSTL, STATION 243.7 DOPPLER RADAR



PARTS CATALOG

FIGURE & ITEM NO.	MANUFACTURER'S PART NUMBER	NOMENCLATURE							EFF FROM TO	UNITS PER ASSY	
		1	2	3	4	5	6	7			
R R R R R R R R R R R	19	65-54011-3	WAVEGUIDE INSTL, STATION 243.7 DOPPLER RADAR (RH) (SEE 24-3, FIG. 5, ITEM 71, 24-3, FIG. 5A, ITEM 71, 24-3, FIG. 5B, ITEM 71, 24-3, FIG. 5C, ITEM 89, 24-3, FIG. 5D, ITEM 78 AND 24-3, FIG. 5F, ITEM 47)							0150	RF
		65-54011-4	WAVEGUIDE INSTL, STATION 243.7 DOPPLER RADAR (LH) (SEE 24-3, FIG. 5, ITEM 70, 24-3, FIG. 5A, ITEM 70, 24-3, FIG. 5B, ITEM 70, 24-3, FIG. 5C, ITEM 88, 24-3, FIG. 5D, ITEM 77 AND 24-3, FIG. 5F, ITEM 46)							0150	RF
	1	66-25022-1	. BRACKET ASSY, DOPPLER RADAR WAVEGUIDE (RH ONLY) . . .							0150	1
	1	66-25022-2	. BRACKET ASSY, DOPPLER RADAR WAVEGUIDE (LH ONLY) . . .							0150	1
		BACS12CB3-5	ATTACHING PARTS								
		BACN10JC3	. SCREW							0150	2
			. NUT							0150	2
			-----*								
	2	63-9649	. . . PAD, DOPPLER RADAR WAVEGUIDE BRACKET RUBBER							0150	1
	3	63-9649-1	. . . PAD, DOPPLER RADAR WAVEGUIDE BRACKET RUBBER							0150	2
	4	66-25022-3	. . . BRACKET, DOPPLER RADAR WAVEGUIDE (RH ONLY)							0150	1
4	66-25022-4	. . . BRACKET, DOPPLER RADAR WAVEGUIDE (LH ONLY)							0150	1	
5	63-9649-2	. PAD, DOPPLER RADAR WAVEGUIDE BRACKET RUBBER							0150	1	
6	MS16997-33	. SCREW							0150	4	
7	MS16997-33	. SCREW							0150	4	
10	BACN10JC08	. NUT							0150	8	
11	TS64831	. WAVEGUIDE ASSY, DOPPLER RADAR (V20019)							0150	1	

MISSING ITEM NUMBERS ARE NOT APPLICABLE

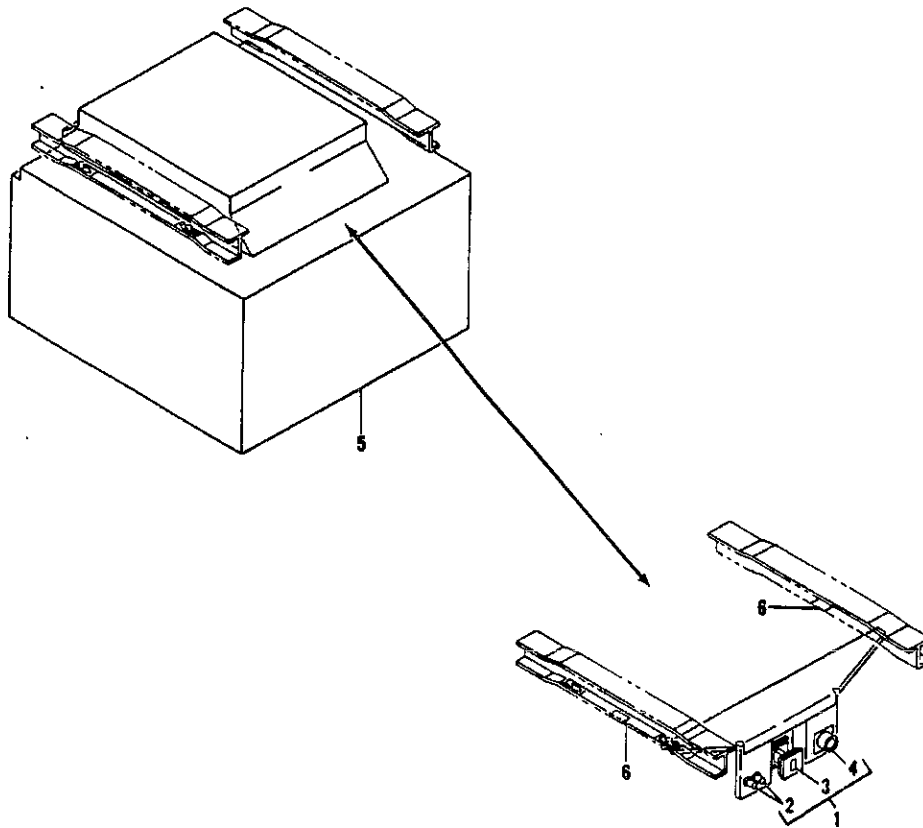
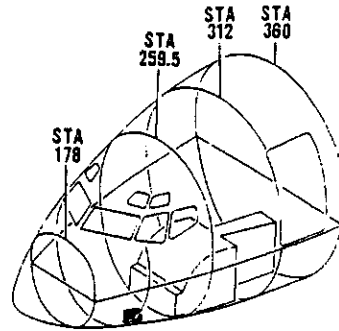


FIGURE 21. ANTENNA INSTL, DOPPLER RADAR



PARTS CATALOG

FIGURE & ITEM NO.	MANUFACTURER'S PART NUMBER	NOMENCLATURE							EFF FROM TO	UNITS PER ASSY		
		1	2	3	4	5	6	7				
R R R R R R R R R R R R R R	21	65-54010-1	ANTENNA INSTL, DOPPLER RADAR (LH) (SEE 24-3, FIG. 5, . . .							0150	RF	
			ITEM 72, 24-3, FIG. 5A, ITEM 72, 24-3, FIG. 5B,									
			ITEM 72, 24-3, FIG. 5C, ITEM 83, 24-3, FIG. 5D,									
			ITEM 74 AND 24-3, FIG. 5F, ITEM 48)									
			65-54010-2	ANTENNA INSTL, DOPPLER RADAR (RH) (SEE 24-3, FIG. 5 . . .							0150	RF
				ITEM 73, 24-3, FIG. 5A, ITEM 73, 24-3, FIG. 5B,								
				ITEM 73, 24-3, FIG. 5C, ITEM 84, 24-3, FIG. 5D,								
				ITEM 75 AND 24-3, FIG. 5F, ITEM 49)								
		1	65-54010-5	. SUPPORT ASSY, DOPPLER RADAR ANTENNA (TO BE SALVAGED .							0150	1
				UPON INSTALLATION OF ANTENNA) (LH ONLY)								
		1	65-54010-6	. SUPPORT ASSY, DOPPLER RADAR ANTENNA (TO BE SALVAGED .							0150	1
				UPON INSTALLATION OF ANTENNA) (RH ONLY)								
			NAS604-10P	ATTACHING PARTS								
				. SCREW							0150	2
			-----*									
	2	UG1094U	. . . RECEPTACLE.							0150	2	
	3	TR64763	. . . WAVEGUIDE ASSY, RIGID (V20019).							0150	1	
			ATTACHING PARTS									
		NAS602-7P	. . . SCREW							0150	4	
		BACN10JC08	. . . NUT							0150	4	
			-----*									
	4	10-150921-203	. . . RECEPTACLE, DUMMY (V77820).							0150	1	
			ATTACHING PARTS									
		NAS601-5P	. . . SCREW							0150	4	
		BACN10JC06	. . . NUT							0150	4	
			-----*									
	5	ANTENNA	. ANTENNA, (CUSTOMER FURNISHED) (RH ONLY)							0150	1	
	6	63-9226	. MARKER, NAVIGATIONAL AID ANTENNA INDEX.							0150	2	
			ATTACHING PARTS									
		MS20470A3	. RIVET							0150	4	
			-----*									

MISSING ITEM NUMBERS ARE NOT APPLICABLE

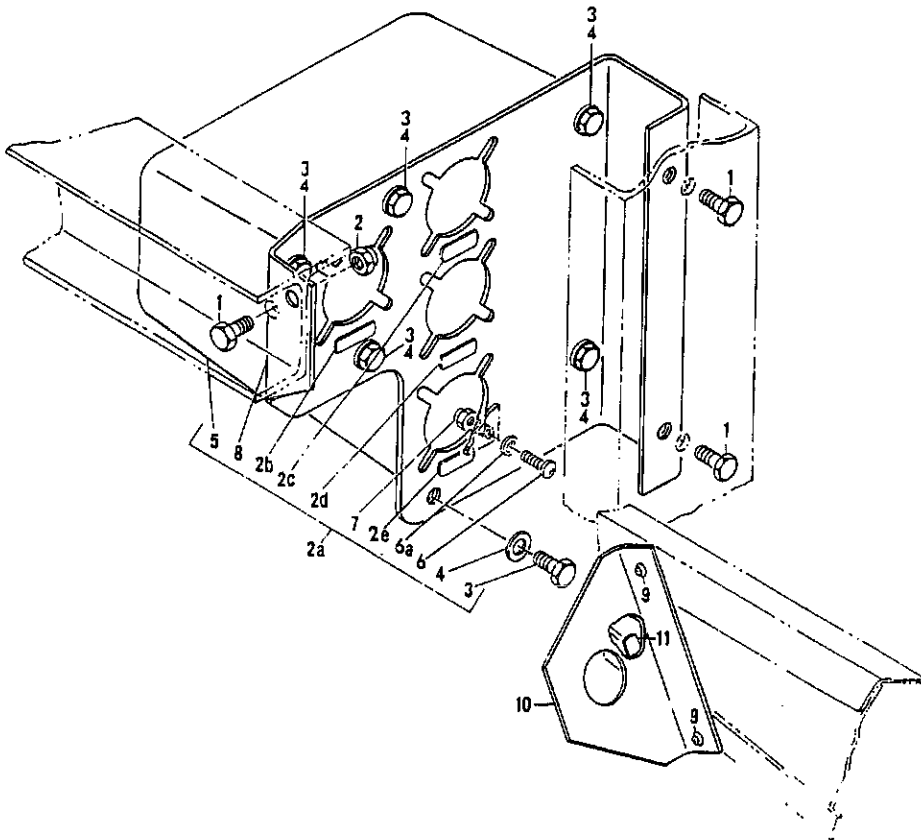
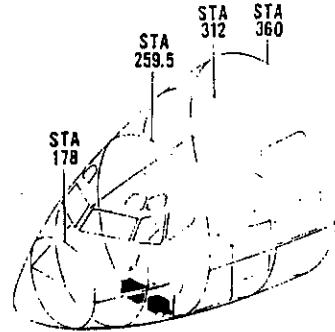


FIGURE 24. SHIELD INSTL, DOPPLER RADAR DISTRIBUTION

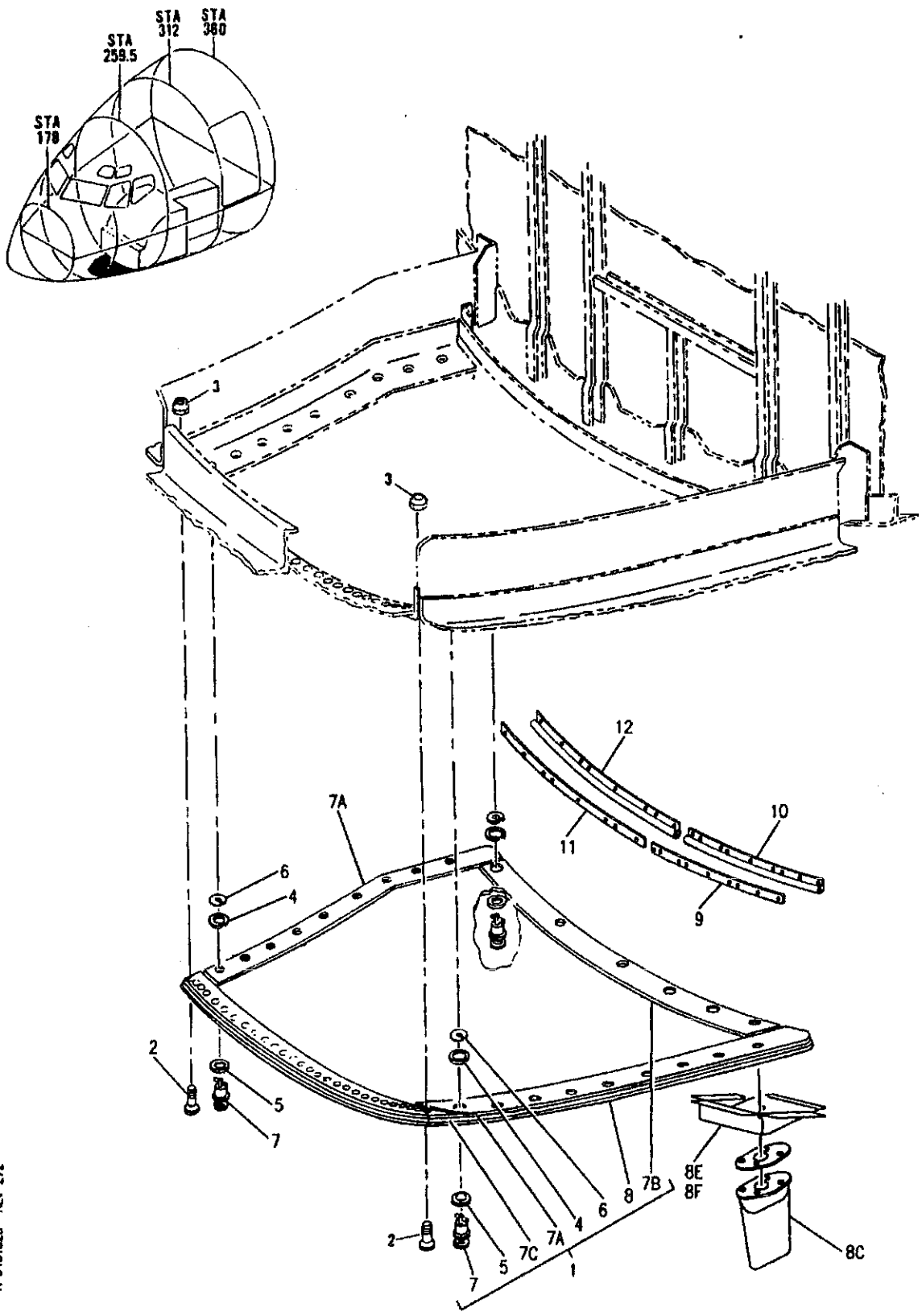
PARTS CATALOG

FIGURE & ITEM NO.	MANUFACTURER'S PART NUMBER	NOMENCLATURE	EFF FROM TO	UNITS PER ASSY	
R R R R R R R R R R R R R R R R R R R R	24	65-69080-1			
			SHIELD INSTL, DOPPLER RADAR DISTRIBUTION (LH) (SEE. 0150	RF	
			24-3, FIG. 5, ITEM 153, 24-3, FIG. 5A, ITEM 193,		
			24-3, FIG. 5B, ITEM 187, 24-3, FIG. 5C, ITEM 191,		
			24-3, FIG. 5D, ITEM 170, 24-3, FIG. 5E, ITEM 143		
			AND 24-3, FIG. 5F, ITEM 127)		
		65-69080-2	SHIELD INSTL, DOPPLER RADAR DISTRIBUTION (RH) (SEE. 0150	RF	
			24-3, FIG. 5, ITEM 154, 24-3, FIG. 5A, ITEM 194,		
			24-3, FIG. 5B, ITEM 188, 24-3, FIG. 5C, ITEM 192,		
			24-3, FIG. 5D, ITEM 171, 24-3, FIG. 5E, ITEM 144		
			AND 24-3, FIG. 5F, ITEM 128)		
		1	AN3-4A BOLT	0150	3
		2	NAS679A3W NUT	0150	1
		2A	65-69080-11 SHIELD ASSY, (LH ONLY)	0150	1
		2A	65-69080-12 SHIELD ASSY, (RH ONLY)	0150	1
		2B	BACM9L9APD SCOTCH-CAL, RD3931/RD3482 (LH ONLY)	0150	1
		2B	BACM9L9APE SCOTCH-CAL, RD3932/RD3483 (RH ONLY)	0150	1
		2C	BACM9L9APB SCOTCH-CAL, RD3921/RD2924 (LH ONLY)	0150	1
		2C	BACM9L9APC SCOTCH-CAL, RD3922/RD2925 (RH ONLY)	0150	1
		2D	BACM9L9APK SCOTCH-CAL, RD7941/RD7821 (LH ONLY)	0150	1
	2D	BACM9L9APL SCOTCH-CAL, RD7942/RD7822 (RH ONLY)	0150	1	
	2E	BACM9L9APH SCOTCH-CAL, RD7911/RD6832 (LH ONLY)	0150	1	
	2E	BACM9L9APJ SCOTCH-CAL, RD7912/RD6833 (RH ONLY)	0150	1	
	3	AN3-4A BOLT	0150	6	
	4	AN960PD10 WASHER	0150	6	
	5	69-47030-1 SHIELD ASSY, DOPPLER RADAR DISTRIBUTION (LH ONLY)	0150	1	
	5	69-47030-2 SHIELD ASSY, DOPPLER RADAR DISTRIBUTION (RH ONLY)	0150	1	
	6	NAS600-5 SCREW	0150	16	
	6A	AN960-4 WASHER	0150	16	
	7	NAS679A04W NUT	0150	16	
	8	66-35079-13 SUPPORT ASSY, (LH ONLY)	0150	1	
	8	66-35079-14 SUPPORT ASSY, (RH ONLY)	0150	1	

MISSING ITEM NUMBERS ARE NOT APPLICABLE

BOEING

707
PARTS CATALOG (MAINTENANCE)



A 3481028 REV 272

FIGURE 2B. ANTENNA INSTL. LOWER UHF 1/IFF 1 AND 2
SEAL ASSY, DOPPLER DOOR

DETAILED PARTS LIST
34-01-28
PAGE 0

34-01-28

NOV 21/01

BOEING

707

PARTS CATALOG (MAINTENANCE)

FIGURE & ITEM NO.	MANUFACTURER'S PART NUMBER	NOMENCLATURE							EFF FROM TO	UNITS PER ASSY	
		1	2	3	4	5	6	7			
R	28		DOOR INSTL, DUAL DOPPLER CAVITY							0150	RF
			ANTENNA INSTL, LOWER UHF 1/IFF 1 AND 2								
R		69-4871	SEAL ASSY, DOPPLER DOOR							0150	RF
			DOOR INSTL, DUAL DOPPLER CAVITY (SEE 53-2, FIG. 1,)								
R		69-4871	ITEM 19 AND 53-2, FIG. 6, ITEM 38)							0150	RF
			DOOR INSTL, DUAL DOPPLER CAVITY (DELETED BY RAF MOD)								
R		391-23-20-74283-001	7211.019-4) (SEE 53-2, FIG.1, ITEM 19)							0150	RF
			ANNTENA INSTL, LOWER UHF 1/IFF 1 AND 2 (VZ00312)								
R			(ALTERED FROM 69-4871) (ADDED BY RAF MOD							0150	1
			7211.019-4)								
R	1	65-7404-7	DOOR ASSY, NAVIGATIONAL ANTENNA RADOME							5199	1
			DOOR ASSY, NAVIGATIONAL ANTENNA RADOME								
R		65-7404-7	(DELETED BY RAF MOD 7311.019-4)							0150	1
			DOOR ASSY, NAVIGATIONAL ANTENNA RADOME (VZ0031)								
R		391-23-20-74283-003	(ALTERED FROM 65-7404-7) (ADDED BY RAF MDD							0150	1
			7211.019-4)								
R			ATTACHING PARTS							0150	28
			SCREW								
R	2	NAS517-3-7	NUT							0150	28
			-----*								
R	3	NAS679A3W	RING							0150	24
			WASHER								
R	4	BACR12X1	GROMMET							0150	24
			STUD ASSY								
R	5	BACW10X1	SPACER, NAVIGATIONAL ANTENNA RADOME DOOR							0150	2
			SPACER, NAVIGATIONAL ANTENNA RADOME DOOR								
R	6	BACG20X2	SPACER, NAVIGATIONAL ANTENNA RADOME DOOR							0150	1
			DDOR, NAVIGATIONAL ANTENNA RADOME								
R	7	BACS21X16R	ANTENNA, UHF/L BAND (VU1907) (ADDED BY RAF MOD)							0150	1
			7211.019-4)								
R	7A	65-7404-4	ATTACHING PARTS							0150	4
			SCREW								
R	7B	65-7404-5	GASKET, (V0031) (ADDED BY RAF MOD 7211.019-4)							0150	1
			BRACKET ASSY, MOUNTING (VZ0031) (ADDED BY RAF MOD)								
R	7C	65-7404-6	7211.019-4)							0150	1
			ATTACHING PARTS								
R	8	65-7404-8	SCREW							0150	10
			-----*								
R	8C	16-112	SEAL ASSY, DOPPLER DOOR (SEE 53-8, FIG. 2, ITEM 7A)							0150	RF
			RETAINER, DOPPLER DOOR SEAL								
R			SEAL, DOPPLER DOOR (EXTRUSION NO. BAC1521-441 X)							0150	1
			20.5 IN. LG)								
R	9	69-8725-11	SEAL ASSY, DOPPLER DOOR (SEE 53-8, FIG. 2, ITEM 8)							0150	RF
			RETAINER, DOPPLER DOOR SEAL								
R	10	69-8725-5	SEAL, DOPPLER DOOR (EXTRUSION NO. BAC1521-441 X 23							0150	1
			IN. LG)								
R		69-8725-12	ATTACHING PARTS							0150	10
			WASHER								
R	11	69-8725-4	NUT							0150	10
			-----*								
R	12	69-8725-9								0150	10
R		AN960-10								0150	10
R		MS21042-3								0150	10

MISSING ITEM NUMBERS ARE NOT APPLICABLE

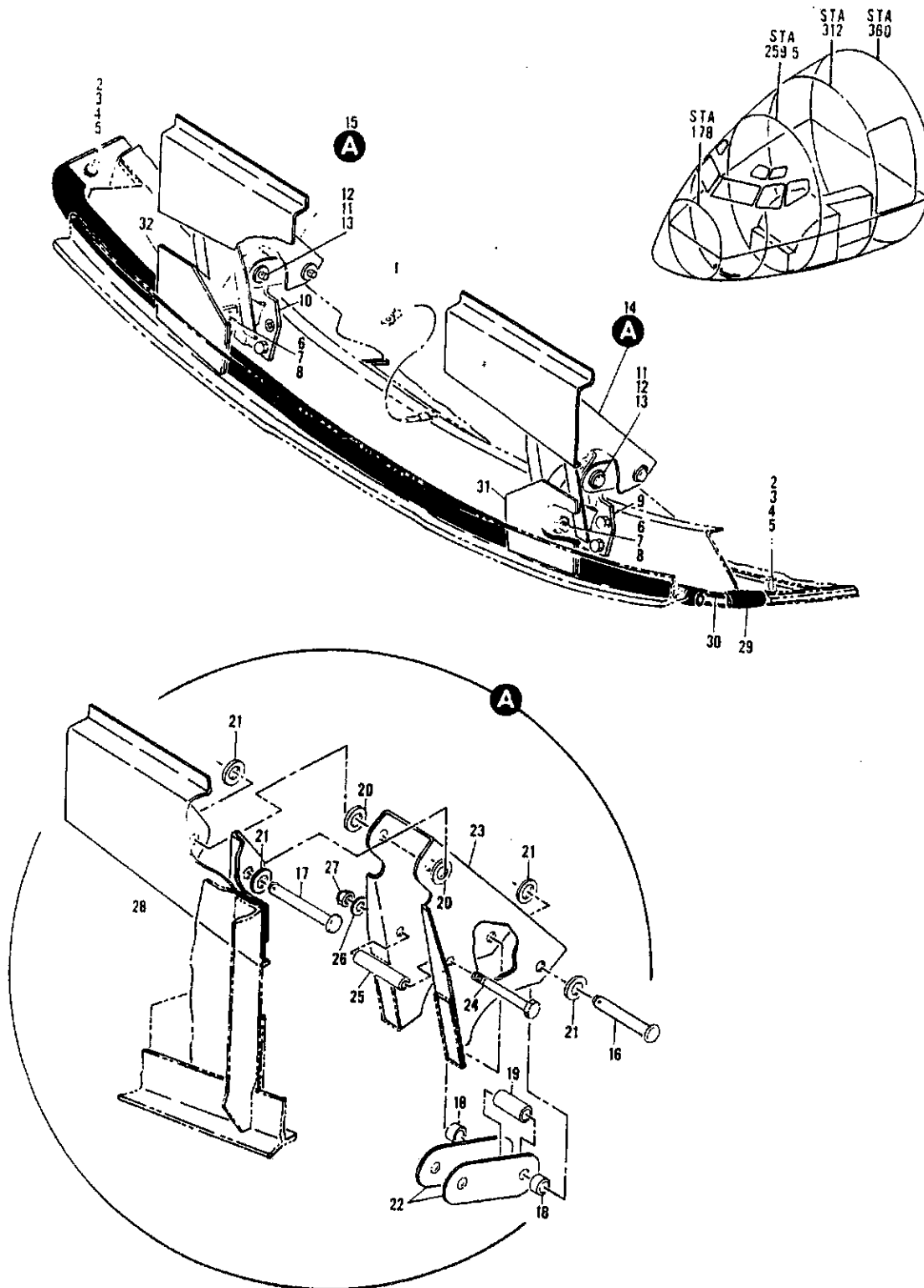


FIGURE 31. BEAM INSTL, DOPPLER RADAR CAVITY DOOR HINGE
 FRAME INSTL, STATION 211.8

BOEING **707** Intercontinental 
PARTS CATALOG

FIGURE & ITEM NO.	MANUFACTURER'S PART NUMBER	NOMENCLATURE							EFF FROM TO	UNITS PER ASSY
		1	2	3	4	5	6	7		
31		BEAM INSTL, DOPPLER RADAR CAVITY DOOR HINGE								
		FRAME INSTL, STATION 211.8								
	65-6369-47	. BEAM INSTL, DOPPLER RADAR CAVITY DOOR HINGE (SEE								RF
		53-2, FIG. 1, ITEM 43 AND 53-2, FIG. 6, ITEM 2)								
1	MS25083-1AB12	. . . JUMPER ASSY								1
		ATTACHING PARTS								
	AN508-6-5	. . . SCREW								1
	NAS620-6L	. . . WASHER								2
2	BACR12X1	. . . RING								2
3	BACG20X2	. . . GROMMET								2
4	BACW10X1	. . . WASHER								2
5	BACS21X16R	. . . STUD ASSY								2
6	65-6369-63	. . . PIN, DOPPLER RADAR CAVITY DOOR HINGE BEAM TWO HOLE								2
7	BACW10P70S	. . . WASHER								4
8	BACW10P142AL	. . . WASHER								AR
9	66-37090-5	. . . FITTING, DOPPLER RADOME HINGE (LH)								1
10	66-37090-6	. . . FITTING, DOPPLER RADOME HINGE (RH)								1
		ATTACHING PARTS								
	AN3-6A	. . . BOLT								6
	NAS517-3-6	. . . SCREW								2
	NAS679A3W	. . . NUT								8
	65-11936-1	. . . STOP INSTL, STATION 211.8 DOPPLER DOOR (LH)								1
	65-11936-2	. . . STOP INSTL, STATION 211.8 DOPPLER DOOR (RH)								1
11	MS20392-3-31	. . . PIN								1
12	AN960D416	. . . WASHER								2
13	AN960D416L	. . . WASHER								2
14	65-11936-5	. . . LINK ASSY, STATION 211.8 DOPPLER DOOR STOP (LH)								1
		ONLY)								
15	65-11936-6	. . . LINK ASSY, STATION 211.8 DOPPLER DOOR STOP (RH)								1
		ONLY)								
16	MS20392-3-51	. . . PIN								1
17	MS20392-3-61	. . . PIN								1
18	NAS43DD4-13	. . . SPACER								2
19	NAS43DD4-50	. . . SPACER								1
20	AN960D416	. . . WASHER								2
21	AN960D416L	. . . WASHER								4
22	65-11936-11	. . . ARM, STATION 211.8 DOPPLER DOOR STOP LINK								2
23	69-11154-11	. . . ARM ASSY, DOPPLER DOOR STOP BRACKET								1
24	NAS1103-24W	. . . BOLT								1
25	NAS43DD3-89	. . . SPACER								1
26	AN960D10L	. . . WASHER								1
27	NAS679A3W	. . . NUT								1
28	65-11936-3	. . . HINGE ASSY, STATION 211.8 DOPPLER DOOR STOP								1
		LINK (LH ONLY)								
28	65-11936-4	. . . HINGE ASSY, STATION 211.8 DOPPLER DOOR STOP								1
		LINK (RH ONLY)								
29	65-6369-61	. . . SEAL, DOPPLER RADAR CAVITY DOOR HINGE BEAM								1
		(EXTRUSION NO. BAC1521-557 X 35 IN. LG)								
30	65-6369-62	. . . RETAINER, DOPPLER RADAR CAVITY DOOR HINGE BEAM SEAL								1
		ATTACHING PARTS								
	NAS514-440-6	. . . SCREW								22
	NAS514-440-7	. . . SCREW								5
	NAS679A04W	. . . NUT								27
	5-73104-3022	. . . FRAME INSTL, STATION 211.8 (SEE 53-2, FIG. 1, ITEM								RF
		44A AND 53-2, FIG. 6, ITEM 3)								
31	66-37095-11	. . . HINGE ASSY, DOPPLER DOOR (LH)								1
32	66-37095-12	. . . HINGE ASSY, DOPPLER DOOR (RH)								1
		ATTACHING PARTS								
	NAS517-3-4	. . . SCREW								2

MISSING ITEM NUMBERS ARE NOT APPLICABLE

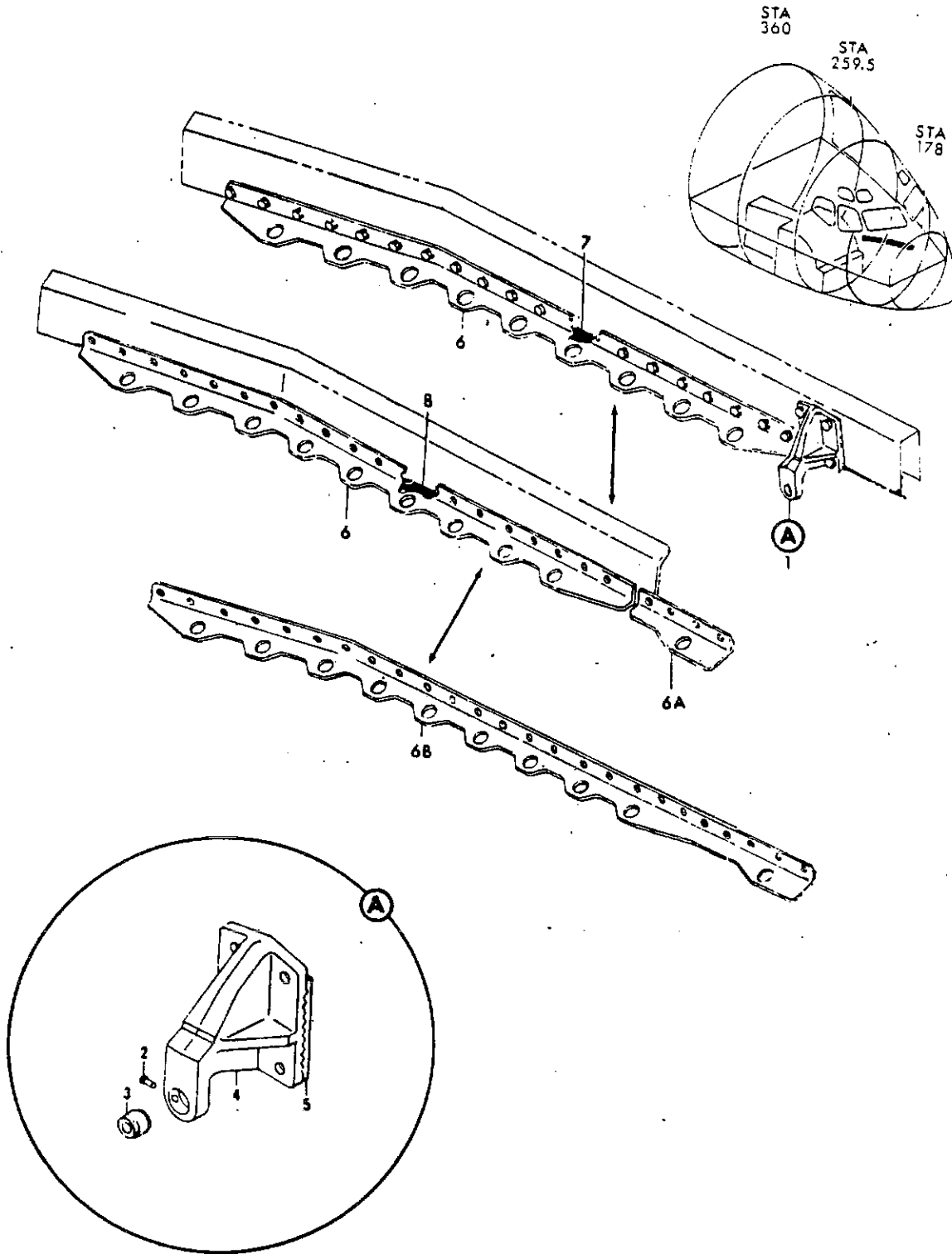


FIGURE 32. BEAM INSTL. DOPPLER CAVITY EDGE



PARTS CATALOG

FIGURE & ITEM NO.	MANUFACTURER'S PART NUMBER	NOMENCLATURE							EFF FROM TO	UNITS PER ASSY
		1	2	3	4	5	6	7		
32	65-6367-23	BEAM INSTL, DOPPLER CAVITY EDGE (LH) (SEE 53-2, FIG. 1, ITEM 47)								RF
	65-6367-24	BEAM INSTL, DOPPLER CAVITY EDGE (RH) (SEE 53-2, FIG. 1, ITEM 47)								RF
6	65-6367-7	. ANGLE, DOPPLER CAVITY EDGE BEAM DOOR SUPPORT (LH. . . ONLY) (USED WITH 65-6367-25) (OPTIONAL TO 65-6367-33)								1
6	65-6367-8	. ANGLE, DOPPLER CAVITY EDGE BEAM DOOR SUPPORT (RH. . . ONLY) (USED WITH 65-6367-26) (OPTIONAL TO 65-6367-32)								1
6A	65-6367-26	. ANGLE, DOPPLER CAVITY EDGE BEAM DOOR SUPPORT (RH. . . ONLY) (USED WITH 65-6367-8) (OPTIONAL TO 65-6367-32)								1
6B	65-6367-33	. ANGLE, DOPPLER CAVITY EDGE BEAM DOOR SUPPORT (LH. . . ONLY) (OPTIONAL 65-6367-7 WITH 65-6367-25)								1
6B	65-6367-32	. ANGLE, DOPPLER CAVITY EDGE BEAM DOOR SUPPORT (RH. . . ONLY) (OPTIONAL 65-6367-8 WITH 65-6367-26)								1
		ATTACHING PARTS								
	AN3-6A	. BOLT.								5
	AN3-5A	. BOLT.								15
	AN3-5A	. BOLT.								3
	AN960-10	. WASHER.								5
	AN960-10L	. WASHER.								15
	AN960-10L	. WASHER.								3
8	65-6367-29	. SEAL, DOPPLER CAVITY EDGE BEAM (EXTRUSION NO. BAC1521-516 X 51 IN. LG)								1

MISSING ITEM NUMBERS ARE NOT APPLICABLE

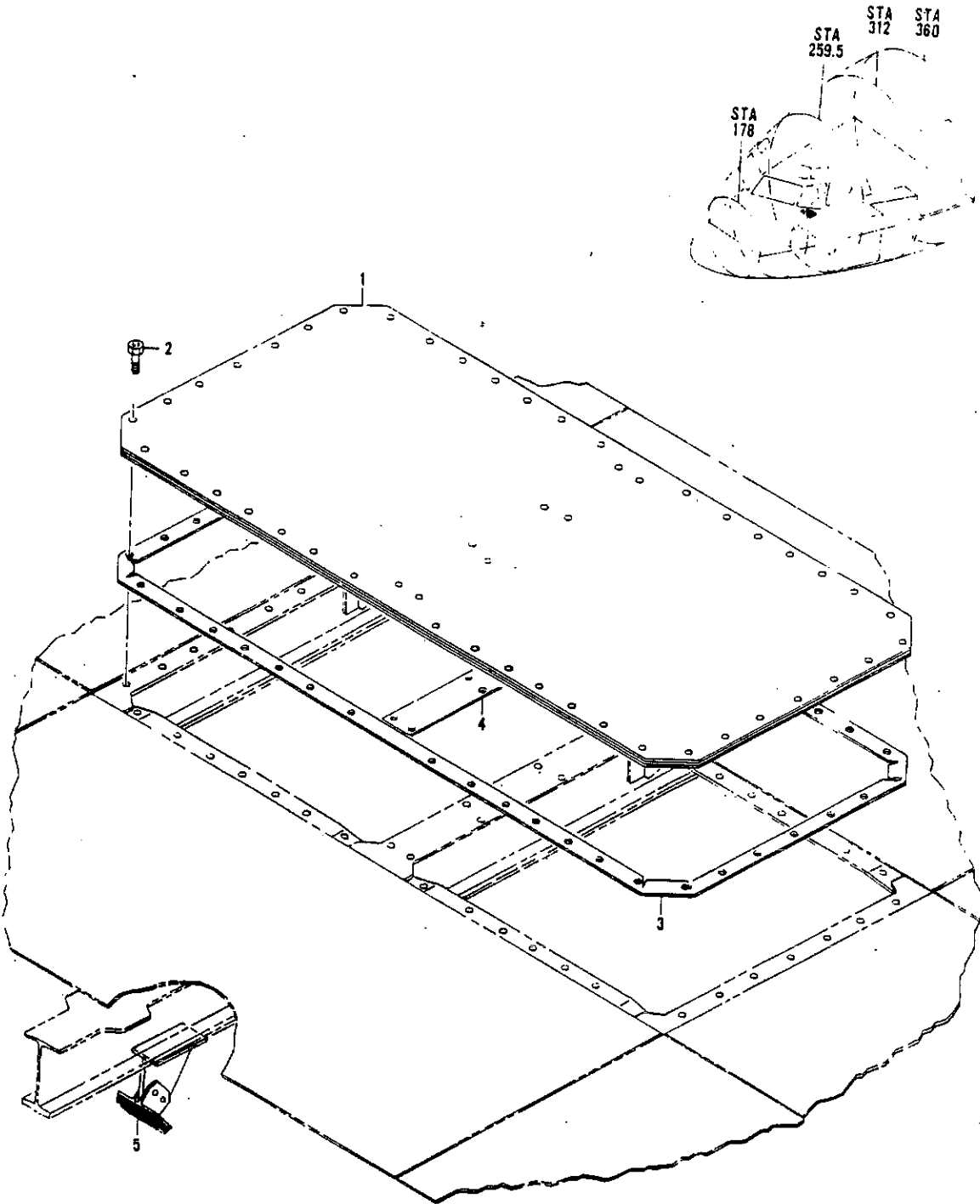


FIGURE 34. DECK INSTL, DOPPLER CAVITY PRESSURE

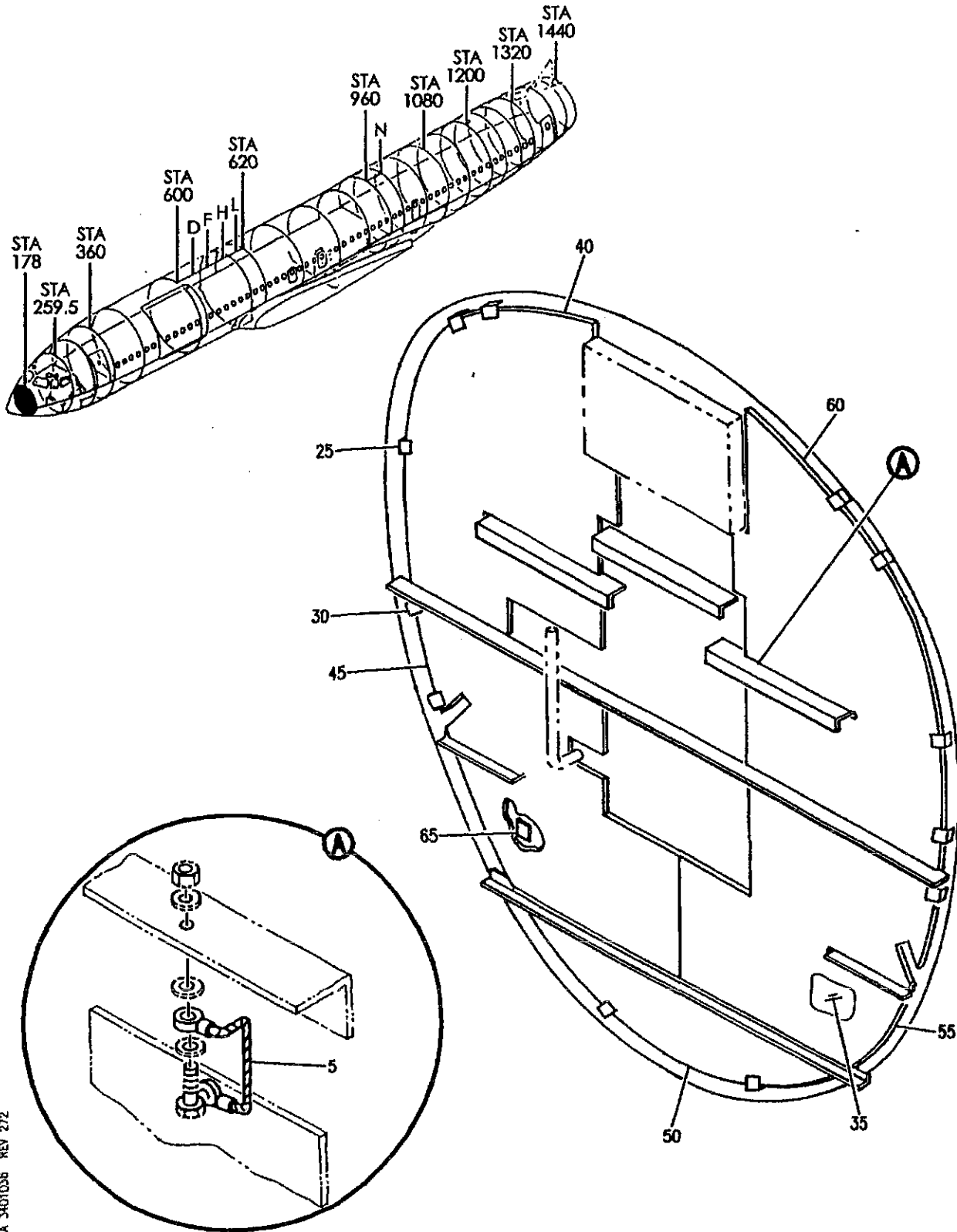


PARTS CATALOG

FIGURE & ITEM NO.	MANUFACTURER'S PART NUMBER	NOMENCLATURE							EFF FROM TO	UNITS PER ASSY
		1	2	3	4	5	6	7		
34	65-6368	DECK INSTL, DOPPLER CAVITY PRESSURE (SEE 53-2, FIG. 1, ITEM 44 AND 53-2, FIG. 6 ITEM 16)								RF
1	65-7276	. DOOR ASSY, DOPPLER CAVITY PRESSURE DECK ACCESS. . . .								1
2	NAS1103-7W	. ATTACHING PARTS								
3	65-7276-6	. BOLT.								50
3	65-7276-6	. . GASKET, DOPPLER CAVITY PRESSURE DECK ACCESS DOOR. .								1
4	65-7276-7	. . SEALING (EXTRUSION NO. BAC1521-513 X 105 IN. LG)								
4	65-7276-7	. . GASKET, DOPPLER CAVITY PRESSURE DECK ACCESS DOOR. .								1
		. . SEALING								

MISSING ITEM NUMBERS ARE NOT APPLICABLE

BOEING
707
PARTS CATALOG (MAINTENANCE)



NAVIGATION - WEATHER RADAR
FIGURE 36. CLADDING INSTL, RADAR ABSORBENT TILES FWD BULK HEAD

DETAILED PARTS LIST
34-01-36
PAGE 0

34-01-36

NOV 21/01

BOEING

707

PARTS CATALOG (MAINTENANCE)

FIGURE & ITEM NO.	MANUFACTURER'S PART NUMBER	NOMENCLATURE							EFF FROM TO	UNITS PER ASSY
		1	2	3	4	5	6	7		
R R R	36 391-34-50-74468-001	CLADDING INSTL, RADAR ABSORBENT TILES FWD BULK HEAD . . . (VZ0031) (ALTERED FROM 65-3416) (ADDED BY RAF MOD 7211,019-4) (SEE 24-3, FIG. 58, ITEM 237)							0150	RF
R R R R	25 391-34-50-74468-115	ATTACHING PARTS • SCREW • WASHER • NUT • ANGLE, (VZ0031) -----*							0150 0150 0150 0150	AR AR AR AR
R R R R R R R	30 35 40 45 50 55 60 65	391-34-50-74468-113 SF10 391-34-50-74468-103 391-34-50-74468-109 391-34-50-74468-107 391-34-50-74468-101 391-34-50-74468-105 391-34-50-74468-111 • TILE, RADAR ABSORBENT (TRIM TO SIZE) (V04552) • PANEL, (VZ0031) • PANEL, (VZ0031) • PANEL, (VZ0031) • PANEL, (VZ0031) • PANEL, (VZ0031) • PAD, (VZ0031)							0150 0150 0150 0150 0150 0150 0150	AR AR 1 1 1 1 1 1

MISSING ITEM NUMBERS ARE NOT APPLICABLE

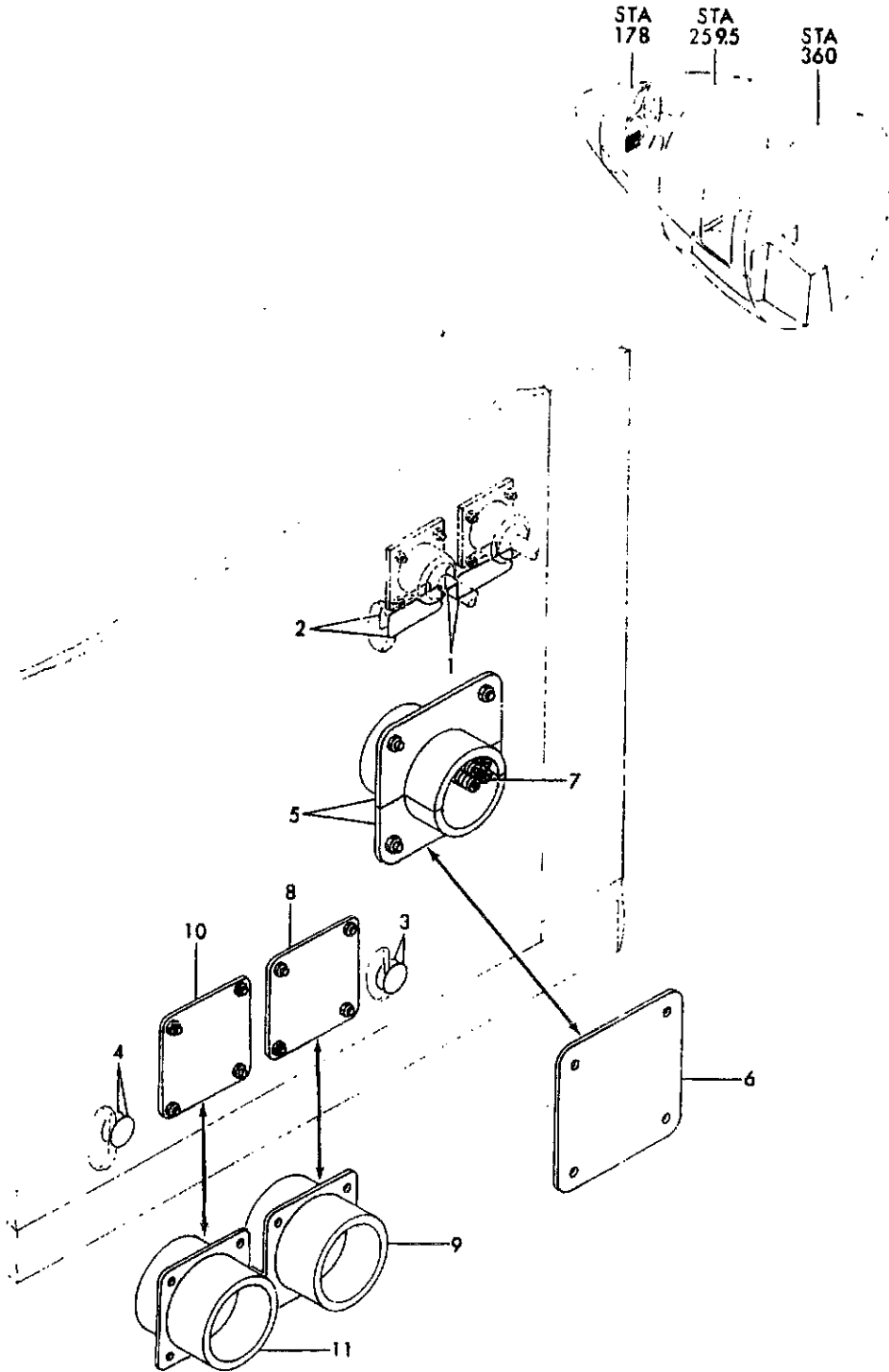


FIGURE 40. SEAL AND CONNECTOR INSTL, STATION 178 WEATHER RADAR



PARTS CATALOG

FIGURE & ITEM NO.	MANUFACTURER'S PART NUMBER	NOMENCLATURE							EFF FROM TO	UNITS PER ASSY
		1	2	3	4	5	6	7		
40	65-71527-1	SEAL AND CONNECTOR INSTL, STATION 178 WEATHER RADAR							5199	RF
		(VARIABLE DWG;65-71527-5004) (SEE 24-3, FIG. 5D, ITEM 139 AND 24-3, FIG. 5F, ITEM 83)								
1	BACM10L10-1BPV	. MARKER-ALUMINUM FOIL, GL. SL. 1							5199	2
2	BACM10L10-1BPW	. MARKER-ALUMINUM FOIL, GL. SL. 2							5199	2
3	BACM10N00-2PP	. MARKER-ALUMINUM FOIL, 1							5199	2
4	BACM10N00-2AAS	. MARKER-ALUMINUM FOIL, 2							5199	2
6	BACS45A27	. PLATE							5199	1
		ATTACHING PARTS								
	NAS602-8P	. SCREW							5199	4
	AN960PD8L	. WASHER.							5199	4
	BACN10JC08	. NUT							5199	4
9	48-7161	. RECEPTACLE, BAYONET (V02660).							5199	1
		ATTACHING PARTS								
	NAS600-5P	. SCREW							5199	4
	AN960PD4L	. WASHER.							5199	4
	BACN10JC04	. NUT							5199	4
11	48-7161-6	. RECEPTACLE, BAYONET (V02660).							5199	1
		ATTACHING PARTS								
	NAS600-5P	. SCREW							5199	4
	AN960PD4L	. WASHER.							5199	4
	BACN10JC04	. NUT							5199	4

MISSING ITEM NUMBERS ARE NOT APPLICABLE

BOEING *707* *Intercontinental* 
PARTS CATALOG

SECTION 02
ANTENNA SYSTEMS

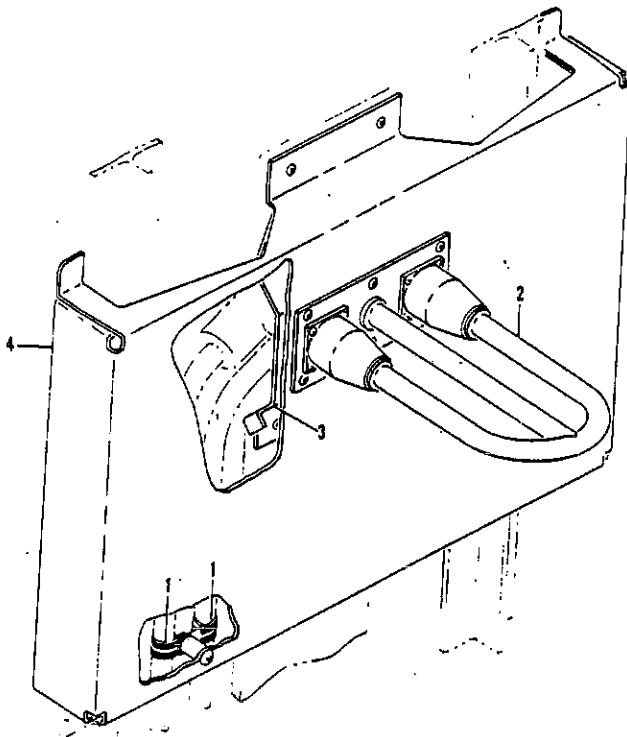
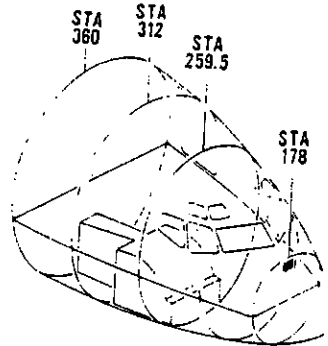


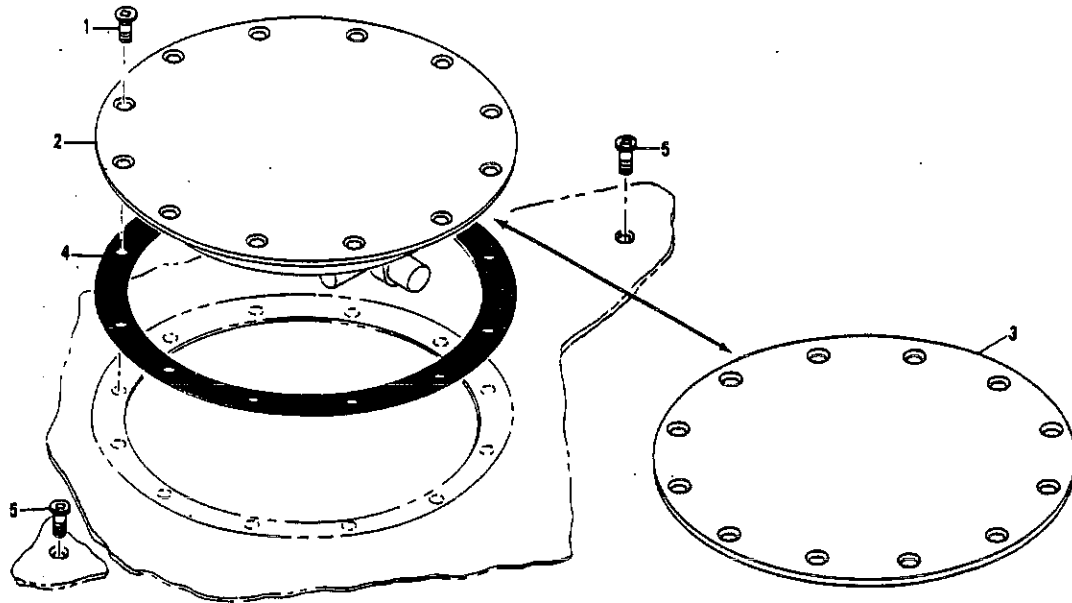
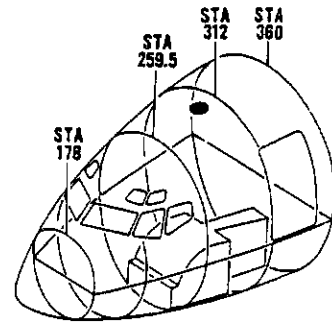
FIGURE 1. ANTENNA INSTL, GLIDE SLOPE SUPPORT INSTL, GLIDE SLOPE ANTENNA



PARTS CATALOG

FIGURE & ITEM NO.	MANUFACTURER'S PART NUMBER	1 2 3 4 5 6 7	NOMENCLATURE	EFF FROM TO	UNITS PER ASSY
1	5-97020-3001		ANTENNA INSTL, GLIDE SLOPE. SUPPORT INSTL, GLIDE SLOPE ANTENNA.		RF
1	MS21919WDG7		. . . ANTENNA INSTL, GLIDE SLOPE (SEE 24-3, FIG. 5, ITEM 2, 24-3, FIG. 5A, ITEM 2, 24-3, FIG. 5B, ITEM 2, 24-3, FIG. 5C, ITEM 3, 24-3, FIG. 5D, ITEM 3, 24-3, FIG. 5E, ITEM 3 AND 24-3, FIG. 5F, ITEM 2)		2
	NAS603-16		. . . CLAMP		1
	NAS43DD3-39		. . . ATTACHING PARTS		1
	BACN10BY53W		. . . SCREW		1
			. . . SPACER.		1
			. . . NUT		1
2	10-3064		. . . ANTENNA ASSY, GLIDE PATH.		1
	NAS514P1032-10		. . . ATTACHING PARTS		5
			. . . SCREW		5
	5-97020-3002		. . . SUPPORT INSTL, GLIDE SLOPE ANTENNA (SEE 53-8, FIG. 1, ITEM 29)		RF
3	60-4493-4		. . . BRACKET ASSY, ANTENNA SUPPORT		1
4	5-97020-3005		. . . PLANE, GLIDE SLOPE ANTENNA GROUND		1

MISSING ITEM NUMBERS ARE NOT APPLICABLE



ANTENNA INSTL, STATION 303 L-BAND
 FIGURE 3. COVER INSTL, STATION 303.5 L-BAND ANTENNA



PARTS CATALOG

FIGURE & ITEM NO.	MANUFACTURER'S PART NUMBER	NOMENCLATURE							EFF FROM TO	UNITS PER ASSY
		1	2	3	4	5	6	7		
3	69-10900	COVER INSTL, STATION 303.5 L-BAND ANTENNA (SEE 24-3, . . . FIG. 5, ITEM 25, 24-3, FIG. 5A, ITEM 25, 24-3, FIG. 5B, ITEM 25, 24-3, FIG. 5C, ITEM 42, 24-3, FIG. 5D, ITEM 40, 24-3, FIG. 5E, ITEM 16 AND 24-3, FIG. 5F, ITEM 16)								RF
1	NAS517-2-4	. SCREW								12
3	60-4489	. PLATE ASSY, FLUSH ANTENNA COVER								1
4	60-4488-1	. GASKET, FLUSH L-BAND ANTENNA.								1
5	NAS514P1032-12	. SCREW								2

MISSING ITEM NUMBERS ARE NOT APPLICABLE

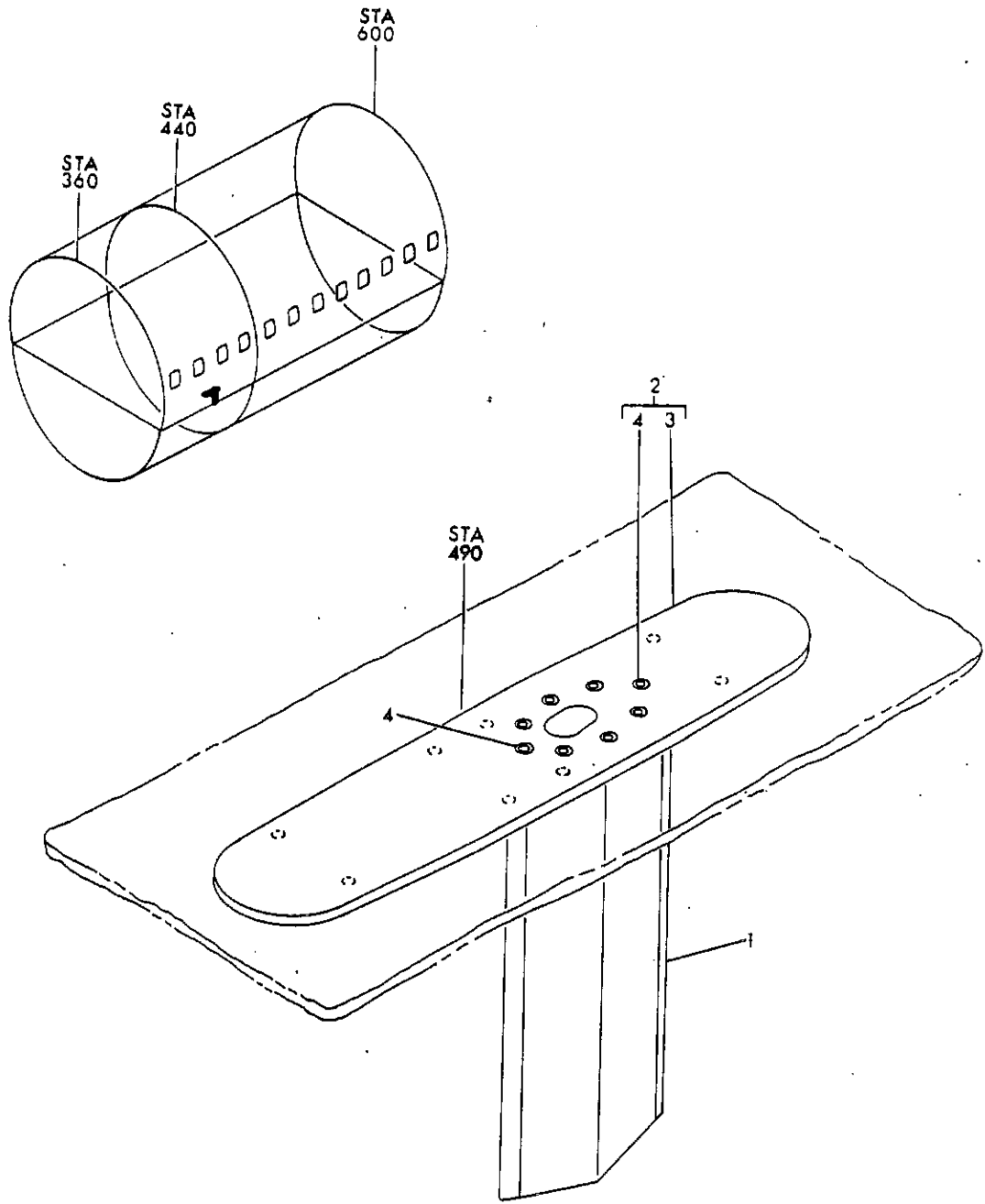


FIGURE 3H. ANTENNA INSTL, STATION 490 DME

BOEING

707
PARTS CATALOG (MAINTENANCE)

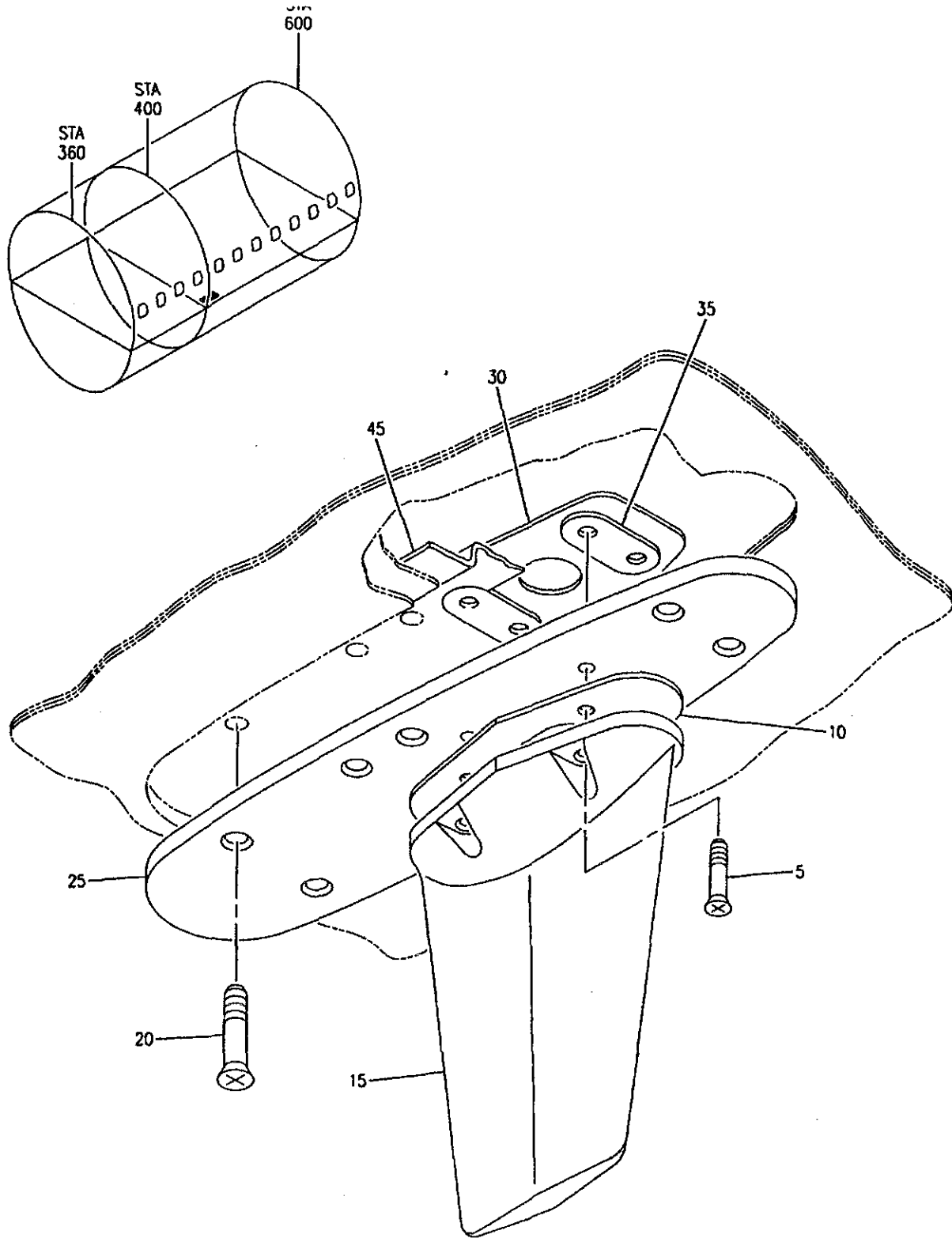
FIGURE & ITEM NO.	MANUFACTURER'S PART NUMBER	NOMENCLATURE							EFF FROM TO	UNITS PER ASSY	
		1	2	3	4	5	6	7			
R R R	3H	QB33778	ANTENNA INSTL, STATION 490 DME (VZ0268) (ADDED BY RAF . MOD 7211.019-188 AND DELETED BY RAF MOD 7211.019-4) (SEE 24-3, FIG. 6D, ITEM 9A)							0150	RF
	1	NAS517-3-2	. ANTENNA, (V78702)							0150	8
		NAS517-3-2	. ATTACHING PARTS								
			. SCREW							0150	1
	2	QC33753	. PLATE ASSY, MOUNTING (VZ0268)							0150	1
		NAS517-4-9	. ATTACHING PARTS								
			. SCREW							0150	8
	3	QC33753-1	. . PLATE, (VZ0268)							0150	1
	4	3591-3CN0285	. . INSERT, (V91767).							0150	8
	MISSING ITEM NUMBERS ARE NOT APPLICABLE										

RAF
NOV 21/01

34-02-3H

DETAILED PARTS LIST
34-02-3H
PAGE 1

BOEING
707
PARTS CATALOG (MAINTENANCE)



A 3402003L REV 272

NAVIGATIONS SYSTEM - ANTENNAS
FIGURE 3L. ANTENNA INSTL, LOWER UHF2/TACAN 2

DETAILED PARTS LIST
34-02-3L
PAGE 0

34-02-3L

NOV 21/01

BOEING

707

PARTS CATALOG (MAINTENANCE)

FIGURE & ITEM NO.	MANUFACTURER'S PART NUMBER	NOMENCLATURE							EFF FROM TO	UNITS PER ASSY	
		1	2	3	4	5	6	7			
R R R R R R R R R R R R R R R	3L	391-23-20-74123-001	ANTENNA INSTL, LOWER UHF2/TACAN 2							0150	RF
			ANTENNA INSTL, LOWER UHF1/TACAN 2 (VZ0031) (ADDED BY.							0150	
			RAF MOD 7211.019-4) (SEE 24-3, FIG.6D, ITEM 120)								
	5	MS24694S62	. SCREW							0150	4
	10	391-23-20-74124-101	. GASKET, (VZ0031).							0150	1
	15	16-112	. ANTENNA, UHF L-BAND (U1907)							0150	1
	20	BAC1330LU4-7	. SCREW, CSK.							0150	8
	25	391-23-20-74123-101	. PLATE, MOUNTING (VZ0031).							0150	1
	30	391-23-20-74124-001	. PLATE ASSY, (VZ0031).							0150	1
	35	MS21061L3	. NUTPLATE.							0150	2
			ATTACHING PARTS								
		MS20426AD3-5	. RIVET							0150	2
	45	391-23-20-74123-103	. SEAL PAN, (VZ0031).							0150	1

MISSING ITEM NUMBERS ARE NOT APPLICABLE

RAF
NOV 21/01

34-02-3L

DETAILED PARTS LIST
34-02-3L
PAGE 1

BOEING
707
PARTS CATALOG (MAINTENANCE)

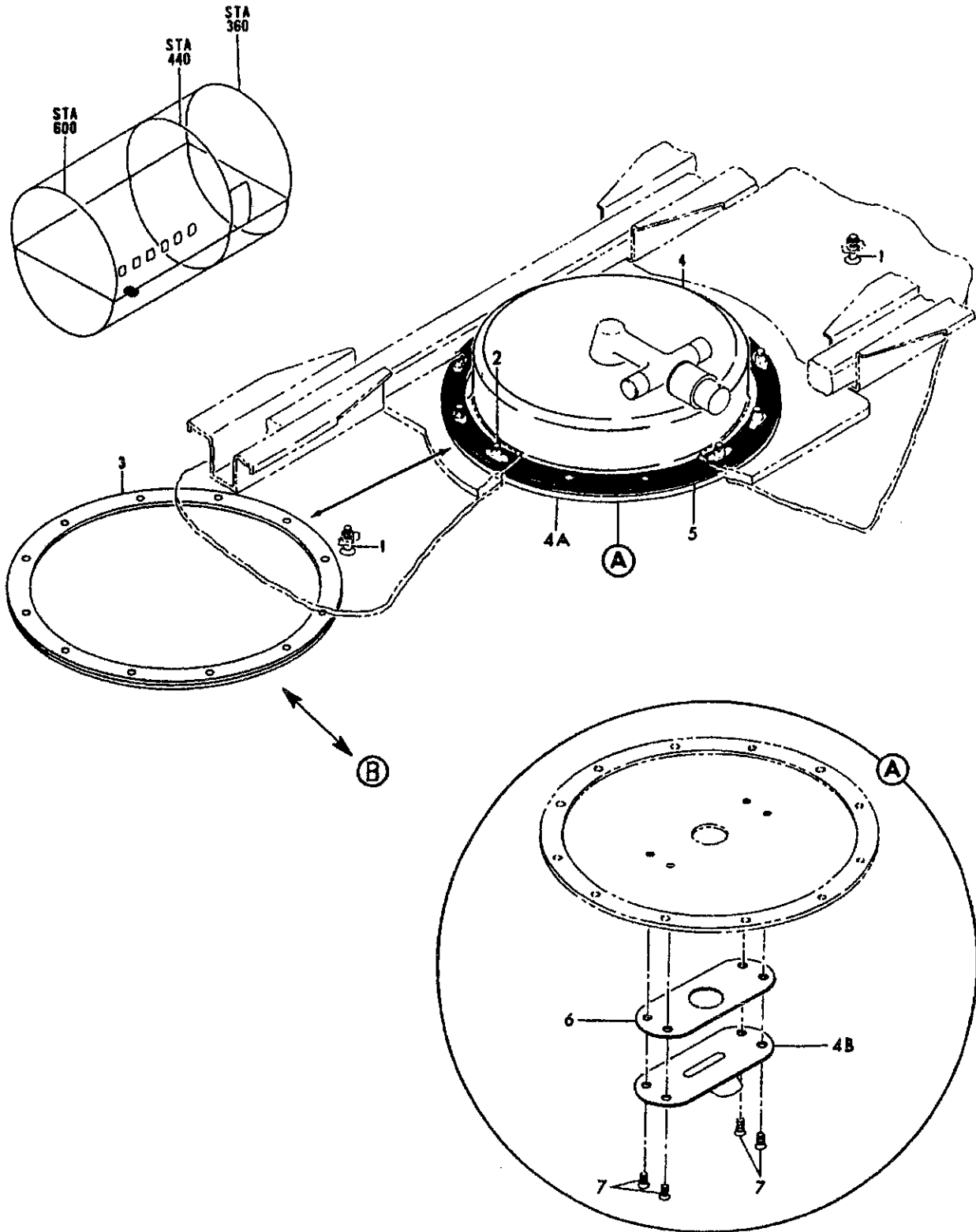


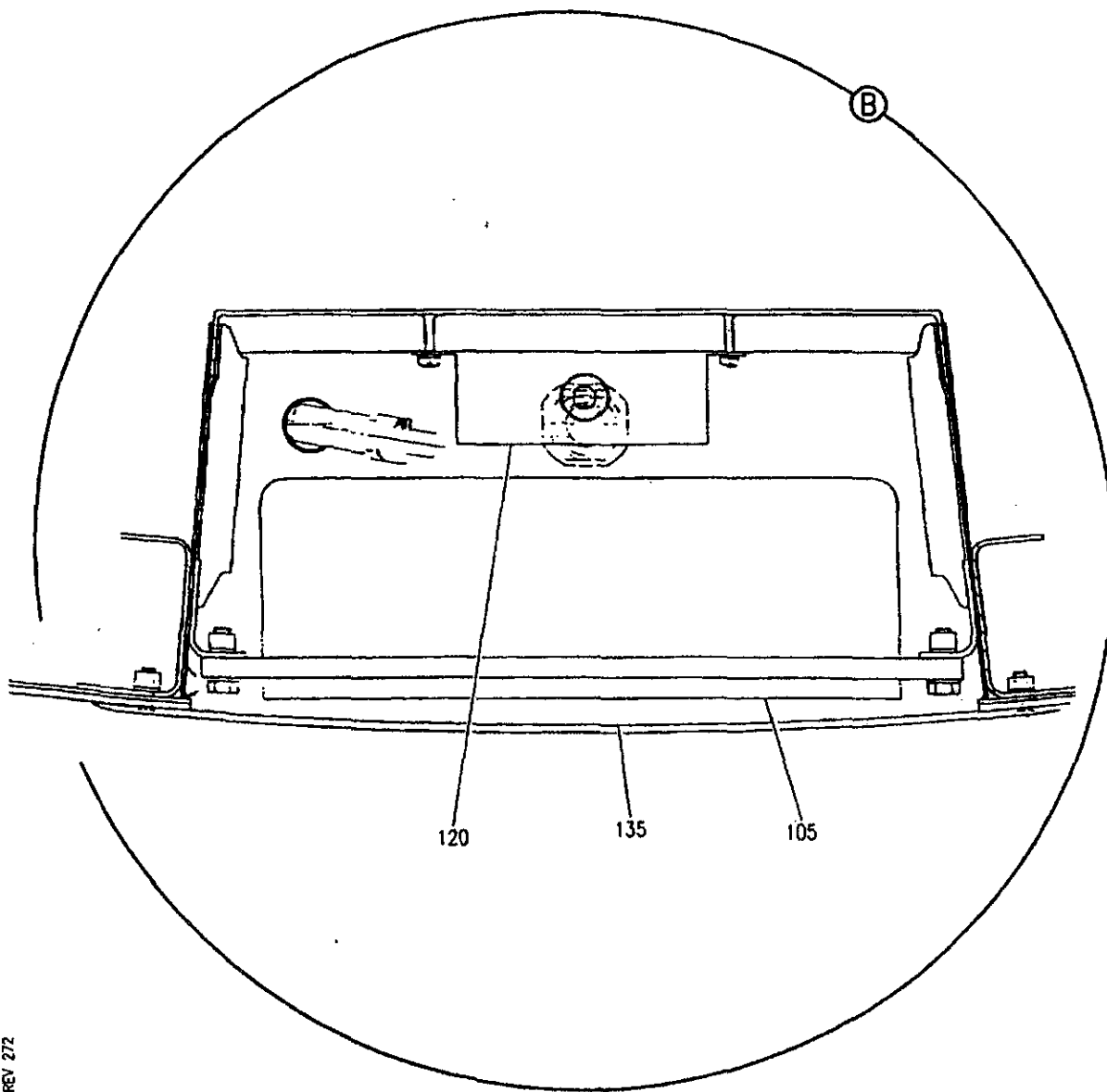
FIGURE 4. ANTENNA INSTL., STATION 550-L-BAND (SHEET 1)

DETAILED PARTS LIST
34-02-4
PAGE 0

34-02-4

NOV 21/01

A 3402004 SHT 1 REV 272



A 3402004 SH1 2 REV 272

FIGURE 4. ANTENNA INSTL., STA 550 UHF-DF LOWER (SHEET 2)

NOV 21/01

34-02-4

DETAILED PARTS LIST
34-02-4
PAGE 1

BOEING

707

PARTS CATALOG (MAINTENANCE)

FIGURE & ITEM NO.	MANUFACTURER'S PART NUMBER	NOMENCLATURE							EFF FROM TO	UNITS PER ASSY	
		1	2	3	4	5	6	7			
R R R R R R R R R R	4	65-22255-1	ANTENNA INSTL, STA 550 L- BAND (SEE 24-3, FIG. 6A, . . .							5199	RF
			ITEM 90, 24-3, FIG. 6B, ITEM 71, 24-3, FIG. 6C,								
			ITEM 55, 24-3, FIG. 6D, ITEM 41, 24-3, FIG. 6E,								
			ITEM 50 AND 24-3, FIG. 6F, ITEM 32)								
		65-22255-1	ANTENNA INSTL, STA 550 L-BAND (DELETED BY RAF MOD . . .							0150	RF
			7211-019-4) (SEE 24-3, FIG. ITEM 41)								
	1	NAS514P1032-24	. SCREW								2
	2	NAS517-2-4	. SCREW								12
	3	QA33796-1	. PLATE, MOUNTING (VZ0268) (ADDED BY RAF MOD.							0150	1
			7211.019-159)								
4	10-3327	. ANTENNA, L-BAND FLUSH								1	
5	60-4488-1	. GASKET, L-BAND FLUSH ANTENNA.							5199	1	
5	60-4488-1	. GASKET, L-BAND FLUSH ANTENNA (DELETED BY RAF MOD.							0150	1	
		7211.019-159)									
R R R R R R R		391-23-20-74121-001	ANTENNA INSTL, STA 550 UHF-DF LOWER (VZ0031) (ADDED . .							0450	RF
			BY RAF MOD 7211.019-4) (SEE 24-3, FIG. 6D,								
			ITEM 92)								
		391-23-20-74121-003	ANTENNA INSTL, STA 550 UHF-DF LOWER (VZ0031) (ADDED . .							0303	RF
			BY RAF MOD 7211.019-4) (SEE 24-3, FIG. 6D,								
			ITEM 92)								
	391-23-20-74121-005	ANTENNA INSTL, STA 550 UHF-DF LOWER (ZV0031) (ADDED . .							0102	RF	
			BY RAF MOD 7211.019-4) (SEE 24-3, FIG. 6D,								
			ITEM 92)								

MISSING ITEM NUMBERS ARE NOT APPLICABLE

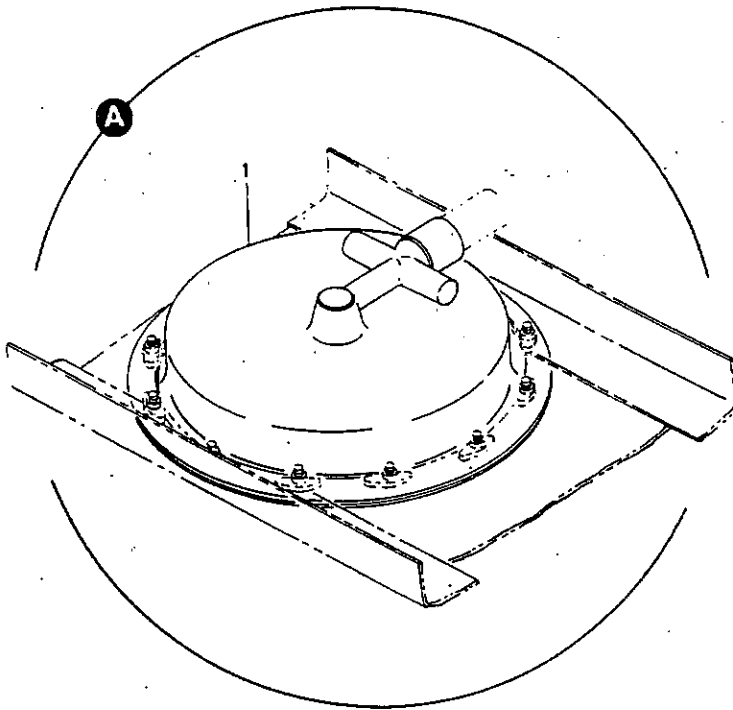
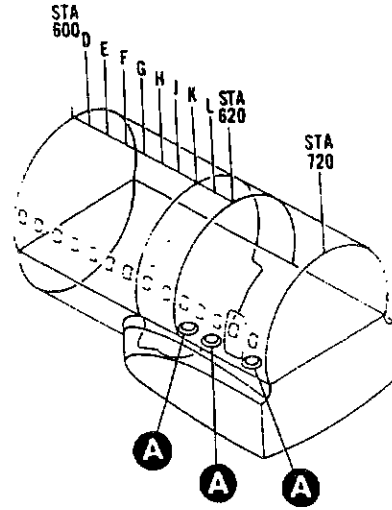


FIGURE 5, ANTENNA INSTL,L-BAND



PARTS CATALOG

FIGURE & ITEM NO.	MANUFACTURER'S PART NUMBER	NOMENCLATURE							EFF FROM TD	UNITS PER ASSY
		1	2	3	4	5	6	7		
5 1	65-8937	ANTENNA INSTL, STATION 600L PLUS 10 L-BAND (SEE 24-3, FIG. 6A, ITEM 29, 24-3, FIG. 6B, ITEM 23, 24-3, FIG. 6C, ITEM 22, 24-3, FIG. 6D, ITEM 27, 24-3, FIG. 6E, ITEM 32 AND 24-3, FIG. 6F, ITEM 23A)								RF
	10-3327	. ANTENNA, L-BAND FLUSH								1
	NAS517-2-2	. ATTACHING PARTS SCREW								12
MISSING ITEM NUMBERS ARE NOT APPLICABLE										

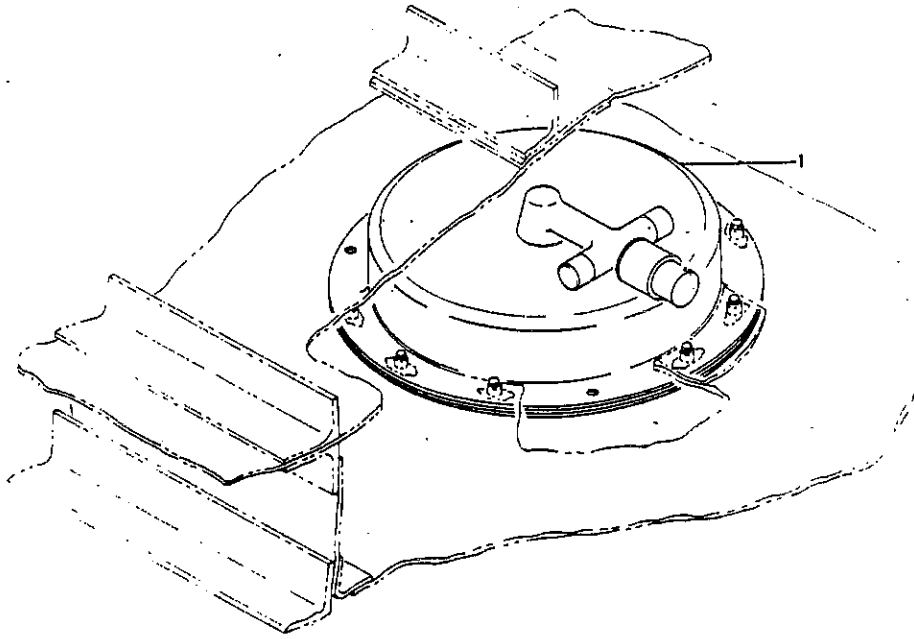
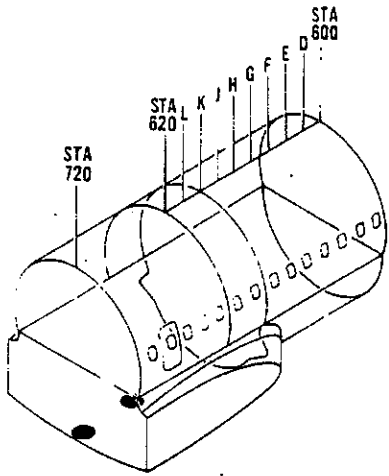


FIGURE 6. ANTENNA INSTL. STATION 670 AND 710 L-BAND



PARTS CATALOG

FIGURE & ITEM NO.	MANUFACTURER'S PART NUMBER	1 2 3 4 5 6 7	NOMENCLATURE	EFF FROM TO	UNITS PER ASSY	
6 1	65-15522		ANTENNA INSTL, STATION 670 L-BAND (SEE 24-3, FIG. 6A, . ITEM 91, 24-3, FIG. 6B, ITEM 72, 24-3, FIG. 6C, ITEM 56, 24-3, FIG. 6D, ITEM 42, 24-3, FIG. 6E, ITEM 51 AND 24-3, FIG. 6F, ITEM 33)		RF	
	10-3327		. ANTENNA, FLUSH L-BAND		1	
	NAS514P832-8		. ATTACHING PARTS . SCREW		12	
		-----*-----				

MISSING ITEM NUMBERS ARE NOT APPLICABLE

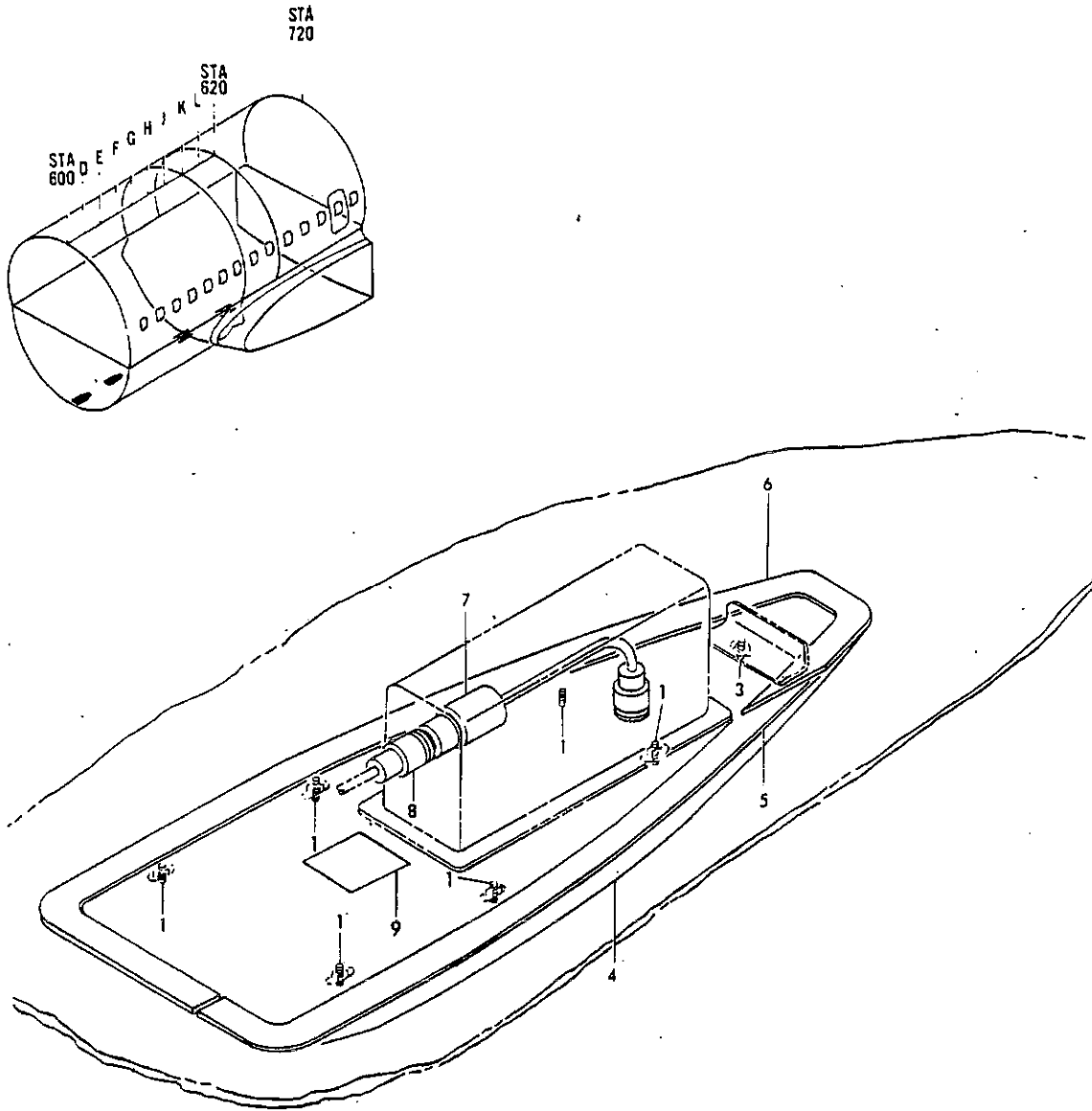


FIGURE 9. ANTENNA INSTL, ADF LOOP



PARTS CATALOG

FIGURE & ITEM NO.	MANUFACTURER'S PART NUMBER	NOMENCLATURE							EFF FROM TO	UNITS PER ASSY	
		1	2	3	4	5	6	7			
R R R R R R	9	65-26461-1	ANTENNA INSTL, STATION 600D ADF LOOP (SEE 24-3, FIG. 6B, ITEM 4A, 24-3, FIG. 6C, ITEM 4A, 24-3, FIG. 6D, ITEM 5, 24-3, FIG. 6E, ITEM 6 AND 24-3, FIG. 6F, ITEM 5)								RF
		65-26461-2	ANTENNA INSTL, STATION 600F ADF LOOP (SEE 24-3, FIG. 6B, ITEM 4B, 24-3, FIG. 6C, ITEM 4B, 24-3, FIG. 6D, ITEM 6, 24-3, FIG. 6E, ITEM 7 AND 24-3, FIG. 6F, ITEM 6)								RF
	1	ANS20PB10R20	. SCREW								6
	3	ANS20PB10R12	. SCREW								1
	4	LPA73A1	. ANTENNA, ADF LOOP (V06845) (BAC SPEC DWG;10-60469-22)								RF
	5	69-22468-1	. GASKET, ANTENNA ADF LOOP.								1
	6	69-22468-2	. GASKET, ANTENNA ADF LOOP.								1
	7	2070492-7308	. COMPENSATOR ASSY, QUADRANTAL ERROR (PLUS 8 DEG) (V06845) (BAC SPEC DWG;10-60469-21) (USED ON 65-26461-1)								RF
	7	2070492-7307	. COMPENSATOR ASSY, QUADRANTAL ERROR (PLUS 6 DEG) (V06845) (BAC SPEC DWG;10-60469-20) (USED ON 65-26461-2)								RF
	8	PTB12-10PS	. RECEPTACLE, BULKHEAD (V77820)								1
	NAS600-5	ATTACHING PARTS									
	BACN10DN40	. SCREW								4	
		. NUT								4	

MISSING ITEM NUMBERS ARE NOT APPLICABLE

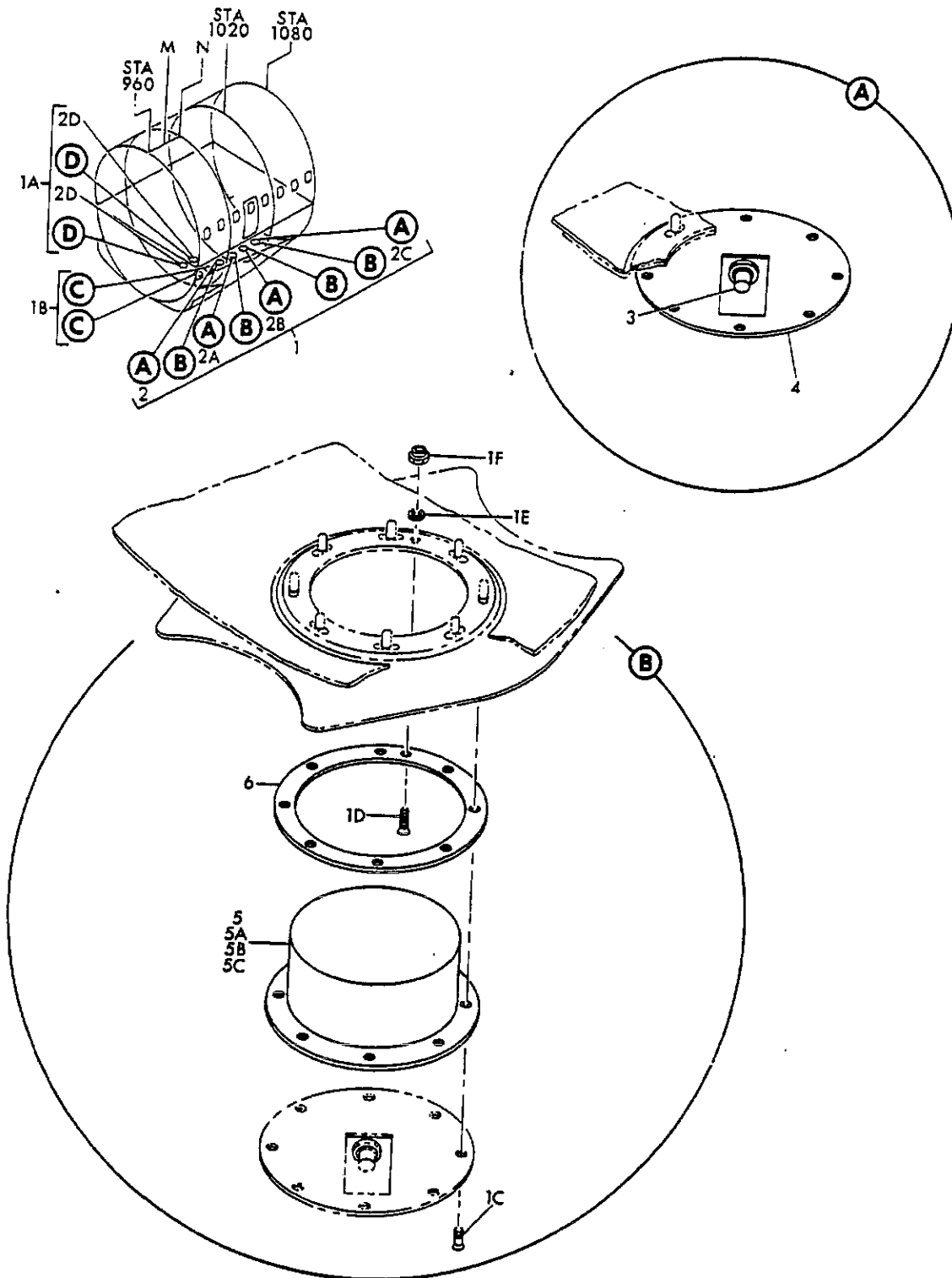


FIGURE 9A. ANTENNA INSTL, LOW RANGE RADIO ALTIMETER (SHEET 1)

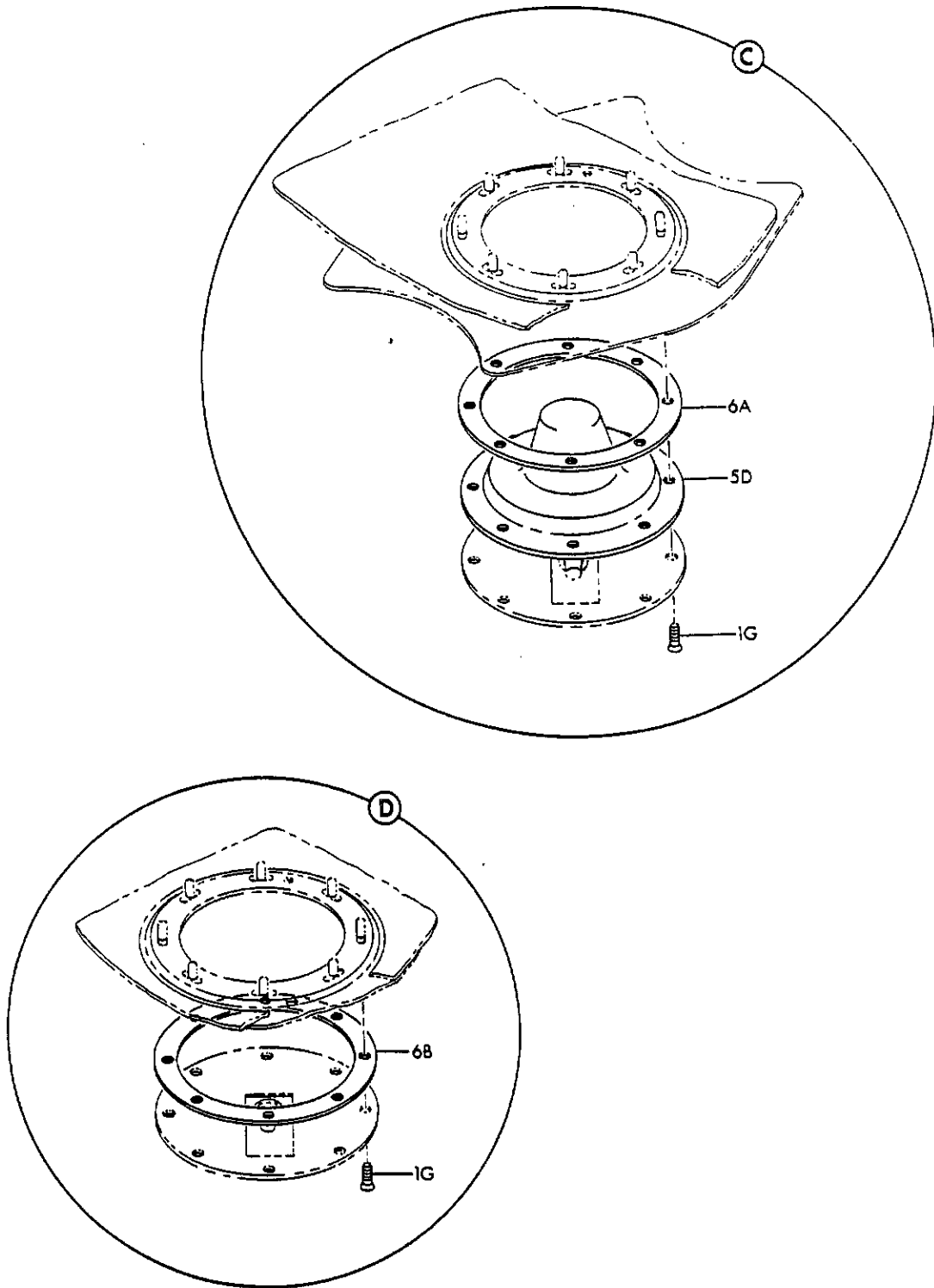


FIGURE 9A. ANTENNA INSTL, LOW RANGE RADIO ALTIMETER (SHEET 2)

NOV 21/90

34-02-9A

DETAILED PARTS LIST
34-02-9A
PAGE 1



PARTS CATALOG

FIGURE & ITEM NO.	MANUFACTURER'S PART NUMBER	NOMENCLATURE	EFF	UNITS	
			FROM TO	PER ASSY	
R R R R R R R R R R R R R R R R R R R R	9A 1	65-39750-6	ANTENNA INSTL, LOW RANGE RADIO ALTIMETER (SEE 24-3, . . . FIG. 7, ITEM 1)	0150	RF
	1	65-39750-6	ANTENNA INSTL, LOW RANGE RADIO ALTIMETER (VARIABLE . . . DWG:65-39750-5009) (SEE 24-3, FIG. 7, ITEM 1)	5299	RF
	1C	BACB30LU3-2	. BOLT.	0150 5299	32
	1D	NAS514P632-5	. SCREW, (USED ON 65-39750-1 AND -6).	0150 5299	4
	1E	AN960D6	. WASHER, (USED ON 65-39750-1 AND -6)	0150 5299	4
	1F	8ACN10JC06	. NUT, (USED ON 65-39750-1 AND -6).	0150 5299	4
	5	522-4140-001	. ANTENNA, (V13499) (STATION 1010).	5299	1
	5	35285	. ANTENNA, (V92755) (STATION 1010) (CUSTOMER FURNISHED) (DELETED BY RAF MOD 7211.019-200)	0150	1
	5	522-4140-001	. ANTENNA, (V13499) (STATION 1010) (ADDED BY RAF MOD. . 7211.019-200)	0150	1
	5A	522-4140-001	. ANTENNA, (V13499) (STATION 1029).	5299	1
	5A	35285	. ANTENNA, (V92755) (STATION 1029) (CUSTOMER FURNISHED) (DELETED BY RAF MOD 7211.019-200)	0150	1
	5A	522-4140-001	. ANTENNA, (V13499) (STATION 1029) (ADDED BY RAF MOD. . 7211.019-200)	0150	1
	5B	522-4140-001	. ANTENNA, (V13499) (STATION 1050) (CUSTOMER FURNISHED)	5299	1
	5B	35285	. ANTENNA, (V92755) (STATION 1050) (CUSTOMER FURNISHED) (DELETED BY RAF MOD 7211.019-200)	0150	1
	5B	522-4140-001	. ANTENNA, (V13499) (STATION 1050) (CUSTOMER FURNISHED) (ADDED BY 7211.019-200)	0150	1
	5C	522-4140-001	. ANTENNA, (V13499) (STATION 1069) (CUSTOMER FURNISHED)	5299	1
	5C	35285	. ANTENNA, (V92755) (STATION 1069) (CUSTOMER FURNISHED) (DELETED BY RAF MOD 7211.019-200)	0150	1
	5C	522-4140-001	. ANTENNA, (V13499) (STATION 1069) (CUSTOMER FURNISHED) (ADDED BY RAF MOD 7211.019-200)	0150	1
	6	66-21108-1	. GASKET, (STATION 1010 AND 1029)	0150 5299	4
	6A	66-21108-1	. GASKET, (STATION 1050 AND 1069)	0150	2

MISSING ITEM NUMBERS ARE NOT APPLICABLE

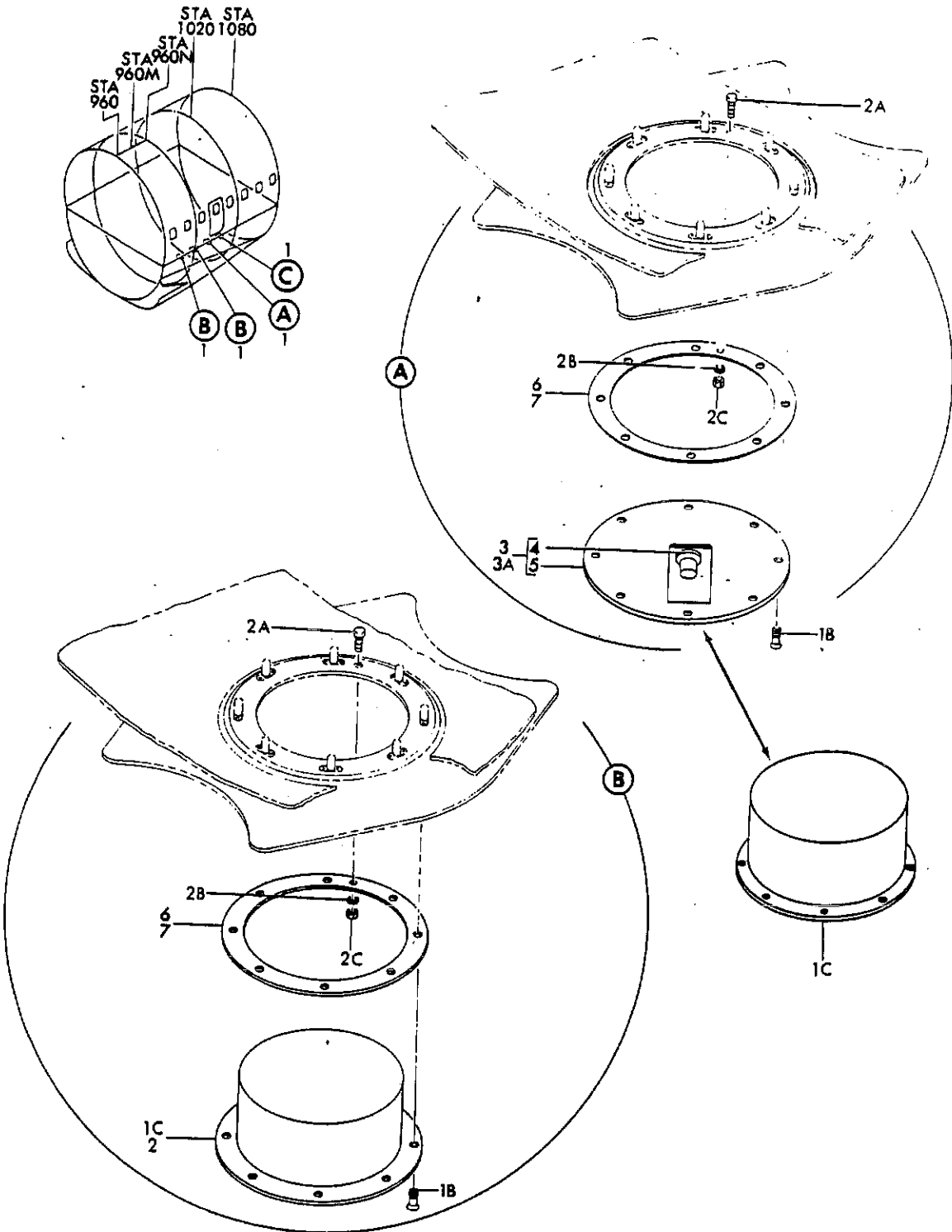


FIGURE 9B. ANTENNA INSTL, LOW RANGE RADIO ALTIMETER

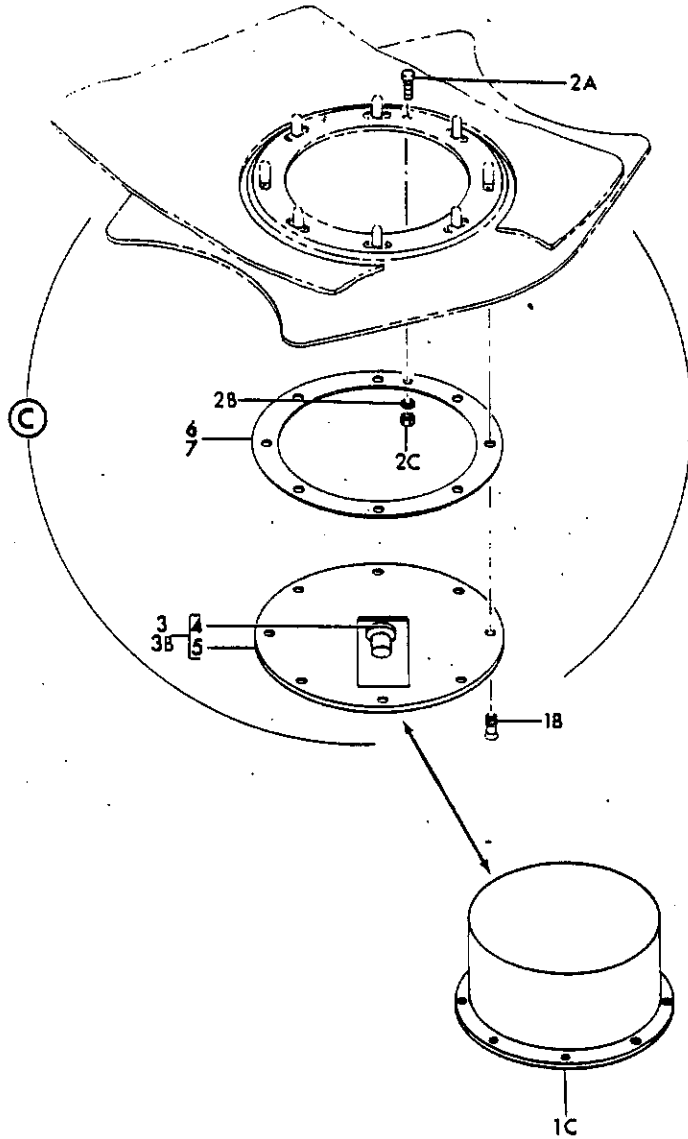


FIGURE 9B. ANTENNA INSTL. LOW RANGE RADIO ALTIMETER (SHEET 2)

BOEING
Intercontinental

PARTS CATALOG

FIGURE & ITEM NO.	MANUFACTURER'S PART NUMBER	1 2 3 4 5 6 7	NOMENCLATURE	EFF	UNITS
				FROM TO	PER ASSY
9B 1	65-39750-9		ANTENNA INSTL, LOW RANGE RADIO ALTIMETER (VARIABLE. . . DWG:65-39750-5003) (SEE 24-3, FIG. 7, ITEM 1 AND 53-1, FIG. 3, ITEM 115)	5151	RF
1B	BACB30LU3-2		. BOLT.	5151	32
2	35285		. ANTENNA, (V92755) (CUSTOMER FURNISHED).	5151	2
2A	NAS514P632-5		. SCREW.	5151	4
2B	AN960D6		. WASHER.	5151	4
2C	BACN10JCO6		. NUT.	5151	4
3	69-30256-4		. COVER ASSY, PLATE.	5151	2
4	184A		. . RECEPTACLE, ELECTRICAL (V95077).	5151	1
5	69-30256-5		. . COVER, PLATE.	5151	1
6	66-21108-1		. GASKET.	5151	2
7	66-21108-1		. GASKET. (OPTIONAL TO 66-20220-2)	5151	2
7	66-20220-2		. GASKET. (OPTIONAL 66-21108-1)	5151	2

MISSING ITEM NUMBERS ARE NOT APPLICABLE

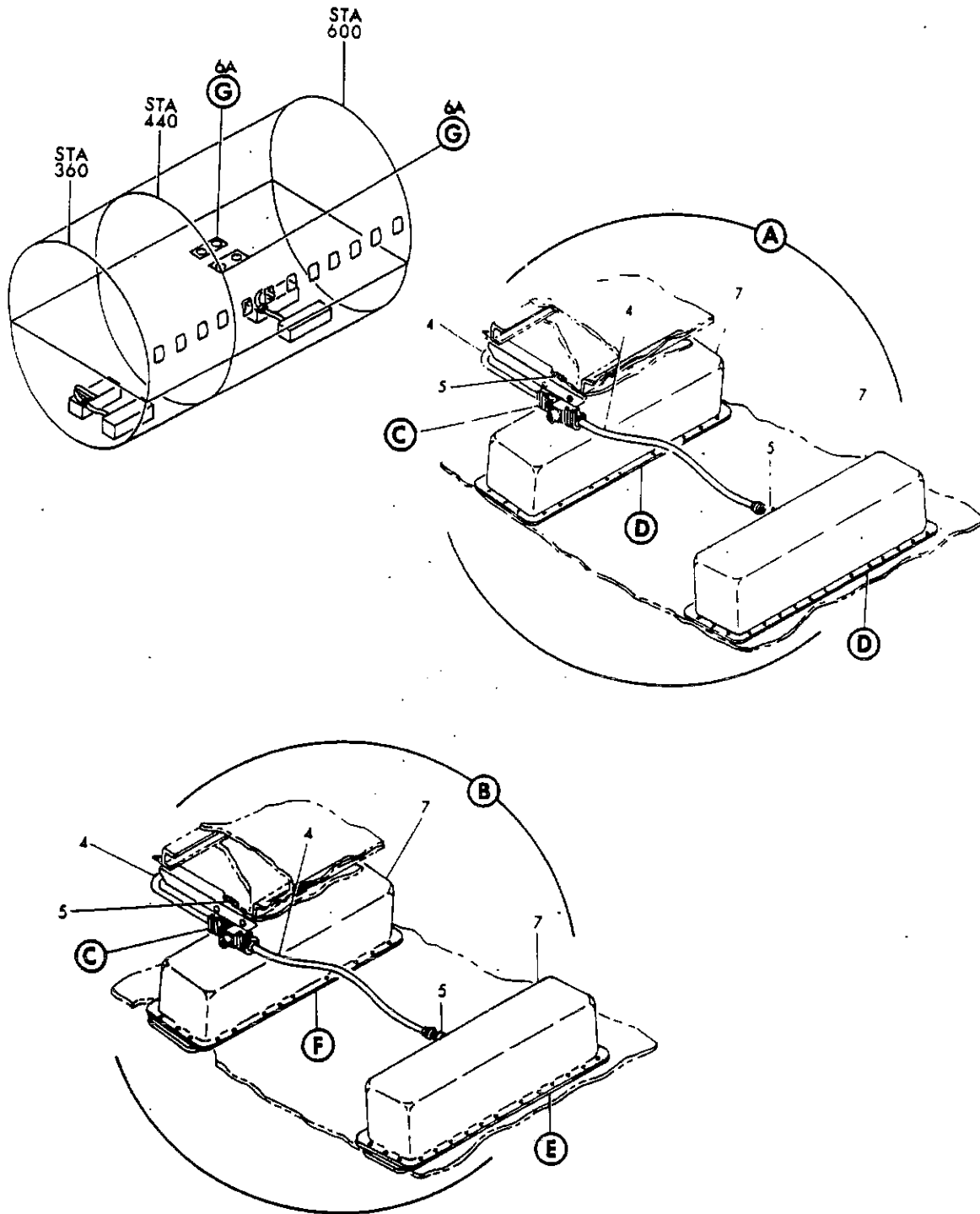


FIGURE 10. ANTENNA INSTALLATION, RADIO ALTIMETER (SHEET 1)

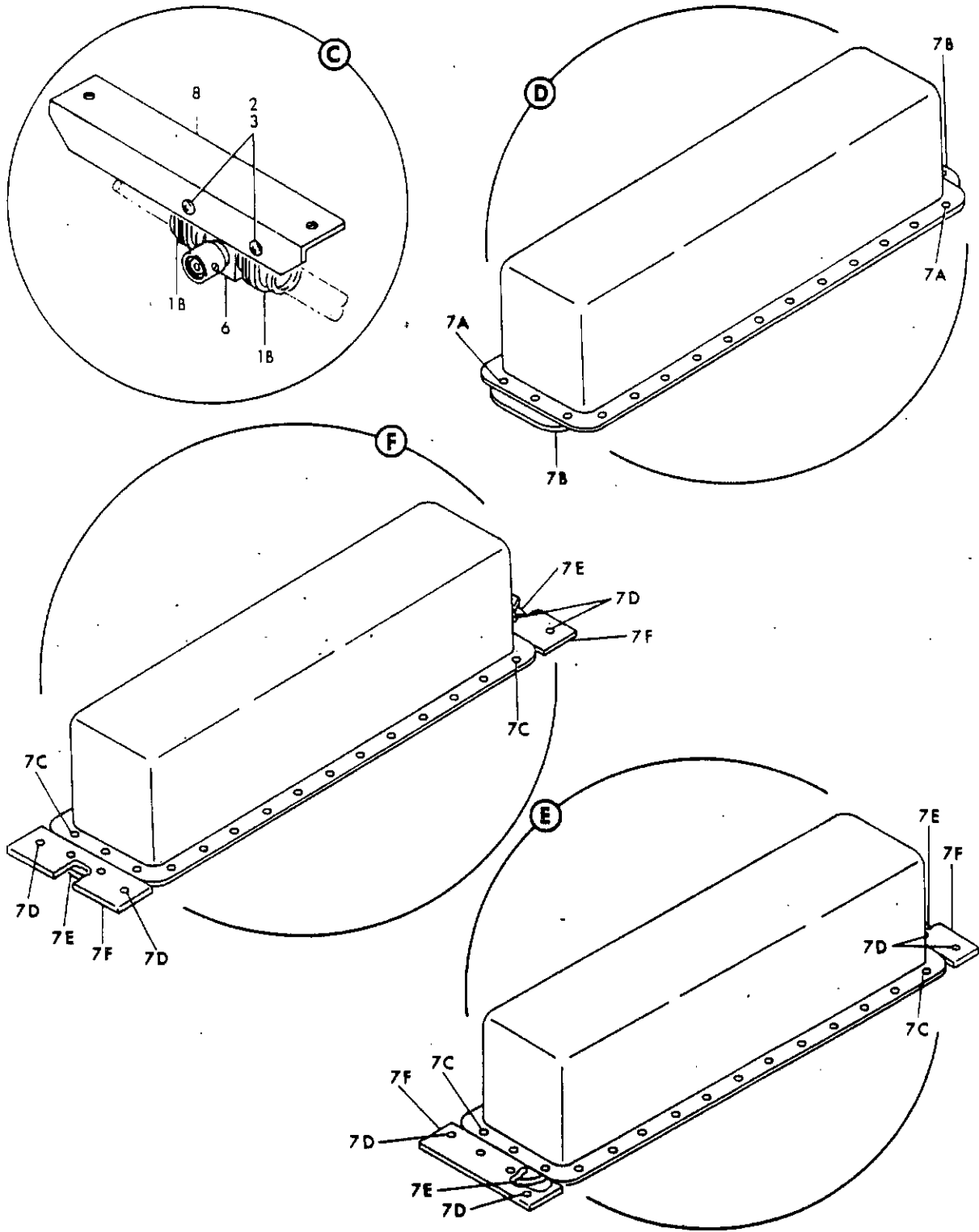


FIGURE 10. ANTENNA INSTL, RADIO ALTIMETER (SHEET 2)

NOV 21/90

34-02-10

DETAILED PARTS LIST
34-02-10
PAGE 1

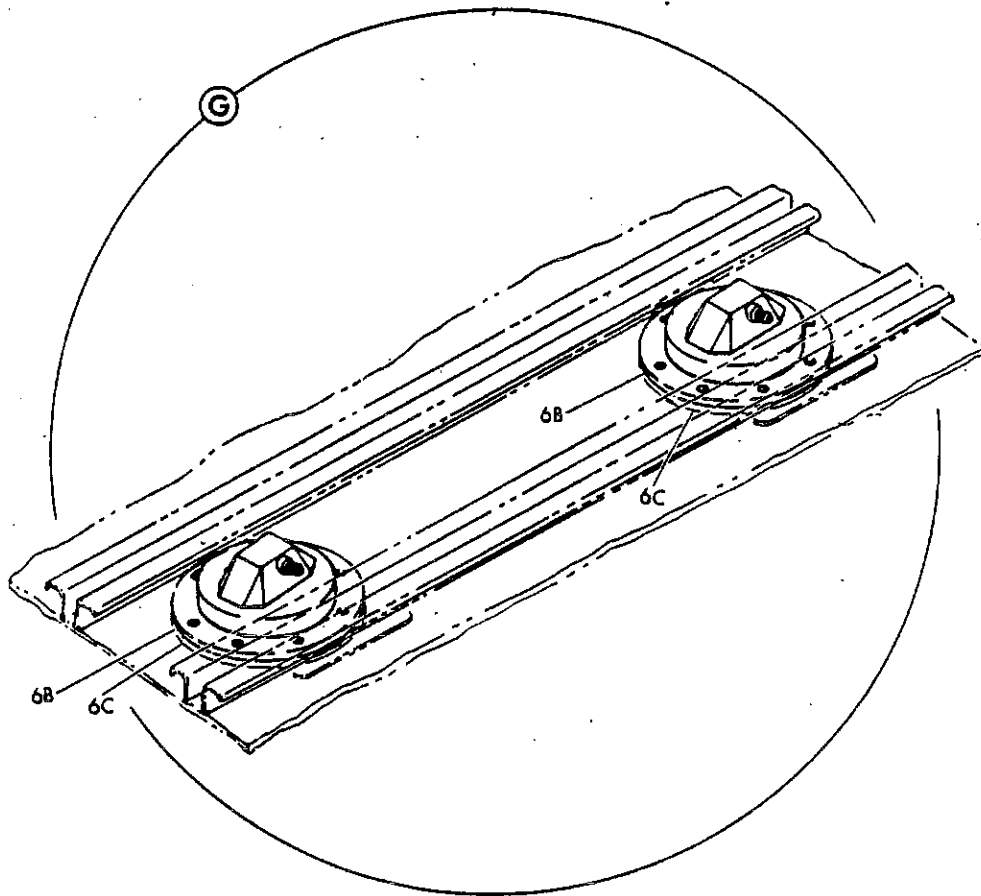
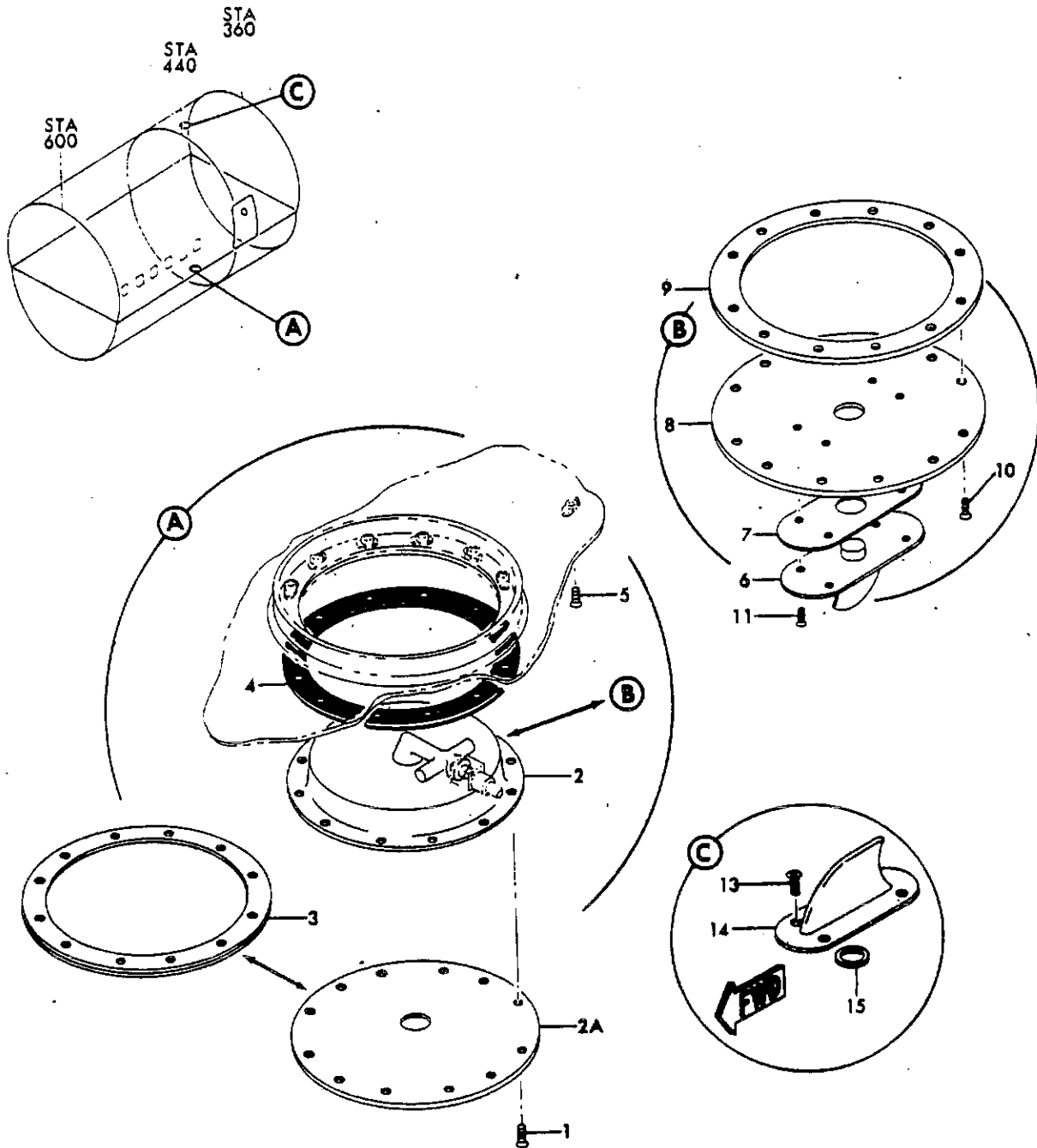


FIGURE 10. ANTENNA INSTALLATION, RADIO ALTIMETER (SHEET 3)


PARTS CATALOG

FIGURE & ITEM NO.	MANUFACTURER'S PART NUMBER	NOMENCLATURE							EFF FROM TO	UNITS PER ASSY	
		1	2	3	4	5	6	7			
10	1	65-7062-4	ANTENNA INSTL, RADIO ALTIMETER (SEE 24-3, FIG. 6B, ITEM 12C, 24-3, FIG. 6C, ITEM 11C, 24-3, FIG. 6D, ITEM 17 AND 24-3, FIG. 6E, ITEM 20)							0101	RF
	1A	65-7062	ANTENNA INSTL, RADIO ALTIMETER (SEE 24-3, FIG. 6A, ITEM 14A, 24-3, FIG. 6B, ITEM 12, 12A, 24-3, FIG. 6C, ITEM 11, 11B, 24-3, FIG. 6D, ITEM 16 AND 24-3, FIG. 6E, ITEM 19)							0101	RF
	1B	BACC10DK12	. CLAMP							0101	2
	2	NAS603-6P	ATTACHING PARTS							0101	2
	3	BACN10JCS	. SCREW							0101	2
			. NUT							0101	2
	7	10-3076	. ANTENNA							0101	2
			(OPTIONAL TO BAC SPEC NO. 10-3076-1)								
	7	10-3076-1	. ANTENNA							0101	2
			(OPTIONAL BAC SPEC NO. 10-3076)								
			ATTACHING PARTS								
	7A	NAS514P440-6	. SCREW							0101	60
	7C	NAS514P440-6	. SCREW, (DELETED BY SB 2797)							0101	60
	7C	BACB30LU04-3	. BOLT, (ADDED BY SB 2797)							0101	60
	7D	BACR15CED5	. RIVET, (ADDED BY SB 2797)							0101	16
	7E	69-54250-5	. FILLER, (ADDED BY SB 2797)							0101	4
	7K	69-54250-6	. FILLER, (ADDED BY SB 2797)							0101	4
		65-7062-1	. SUPPORT INSTL							0101	1
	8	65-7062-2	. . ANGLE, RADIO ALTIMETER ANTENNA SUPPORT.							0101	1
			ATTACHING PARTS								
		NAS601-6P	. SCREW							0101	2
		BACN10JRO6	. NUT							0101	2

MISSING ITEM NUMBERS ARE NOT APPLICABLE



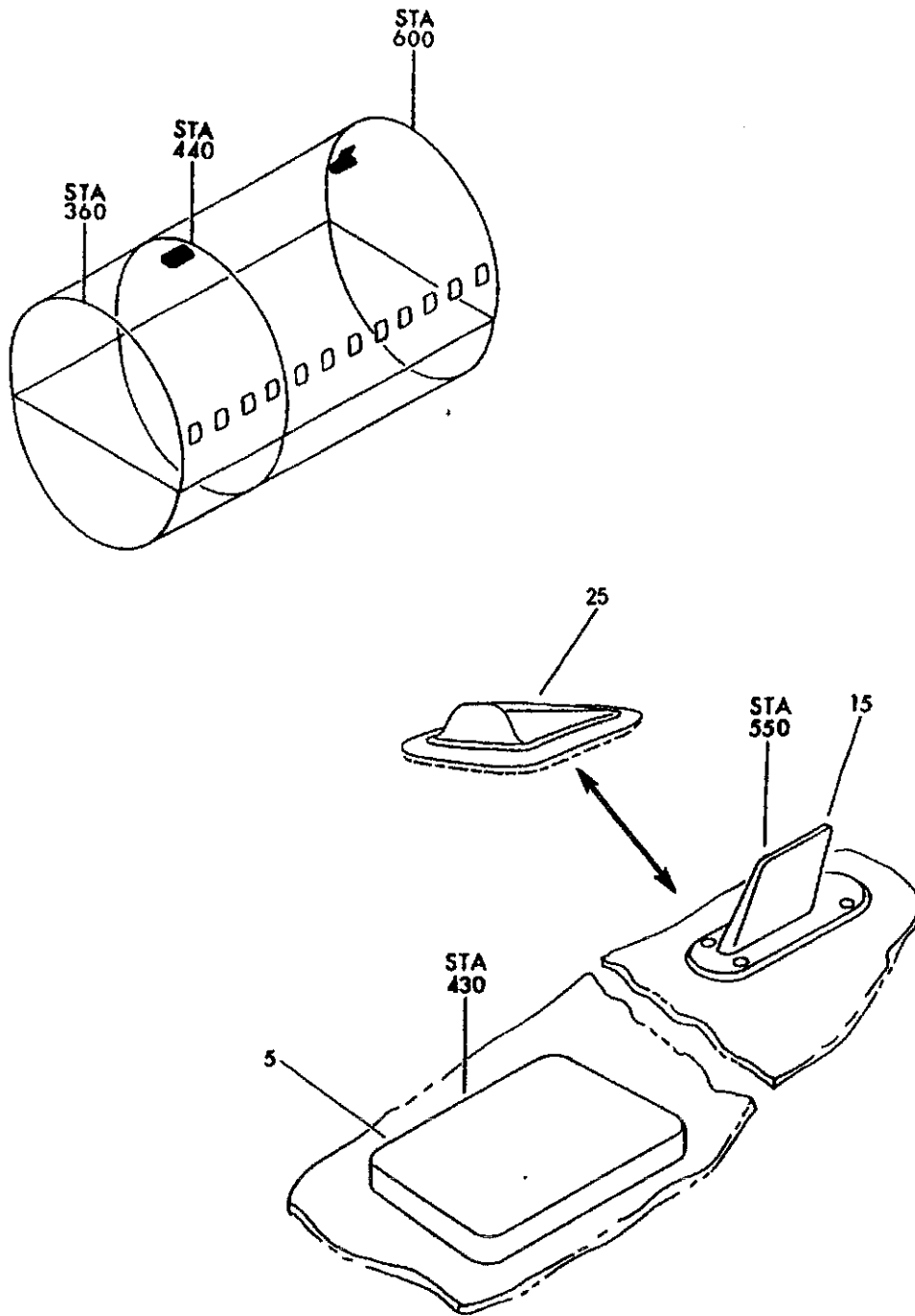
ANTENNA INSTL, STATION 430 L-BAND
FIGURE 11. ANTENNA INSTL, STATION 430 ATC TRANSPONDER

BOEING

707
PARTS CATALOG (MAINTENANCE)

FIGURE & ITEM NO.	MANUFACTURER'S PART NUMBER	NOMENCLATURE	EFF FROM TO	UNITS PER ASSY
		1 2 3 4 5 6 7		
R R R R R	11	ANTENNA INSTL, STATION 430 L-BAND		
		65-4179	5199	RF
		65-4179	0150	RF
	1	NAS517-2-4		12
	2	10-3327		1
4	60-4488-1		1	
5	NAS514P1032-24		2	
MISSING ITEM NUMBERS ARE NOT APPLICABLE				

BOEING
707
PARTS CATALOG (MAINTENANCE)



A 3402011A REV 272

FIGURE 11A. ANTENNA INSTL, UPPER

DETAILED PARTS LIST
34-02-11A
PAGE 0

34-02-11A

NOV 21/01



PARTS CATALOG

FIGURE & ITEM NO.	MANUFACTURER'S PART NUMBER	NOMENCLATURE							EFF FROM TO	UNITS PER ASSY	
		1	2	3	4	5	6	7			
R R	11A	65C35214-1	ANTENNA INSTL-TCAS UPPER STA 430 (ADDED BY SB 3481) . . .							5199	RF
		65C35214-3	. . . (SEE 24-03 FIG. 6C, 6E, AND 6F FOR NHA)								
			ANTENNA INSTL-MODE S UPPER STA 550 (ADDED BY SB 3481) . . .							5199	RF
			. . . (SEE 24-03, FIG. 6C, 6E AND 6F FOR NHA)								
	5	ARINC735	. . . ANTENNA ASSY (V12467)							5199	1
		NAS623-3-10	. . . ATTACHING PARTS							5199	4
		. . . SCREW									
15	S220T116-1	. . . ANTENNA ASSY							5199	1	
		. . . ATTACHING PARTS									
	NAS517-3-2	. . . SCREW							5199	4	
		. . . -----*									

MISSING ITEM NUMBERS ARE NOT APPLICABLE

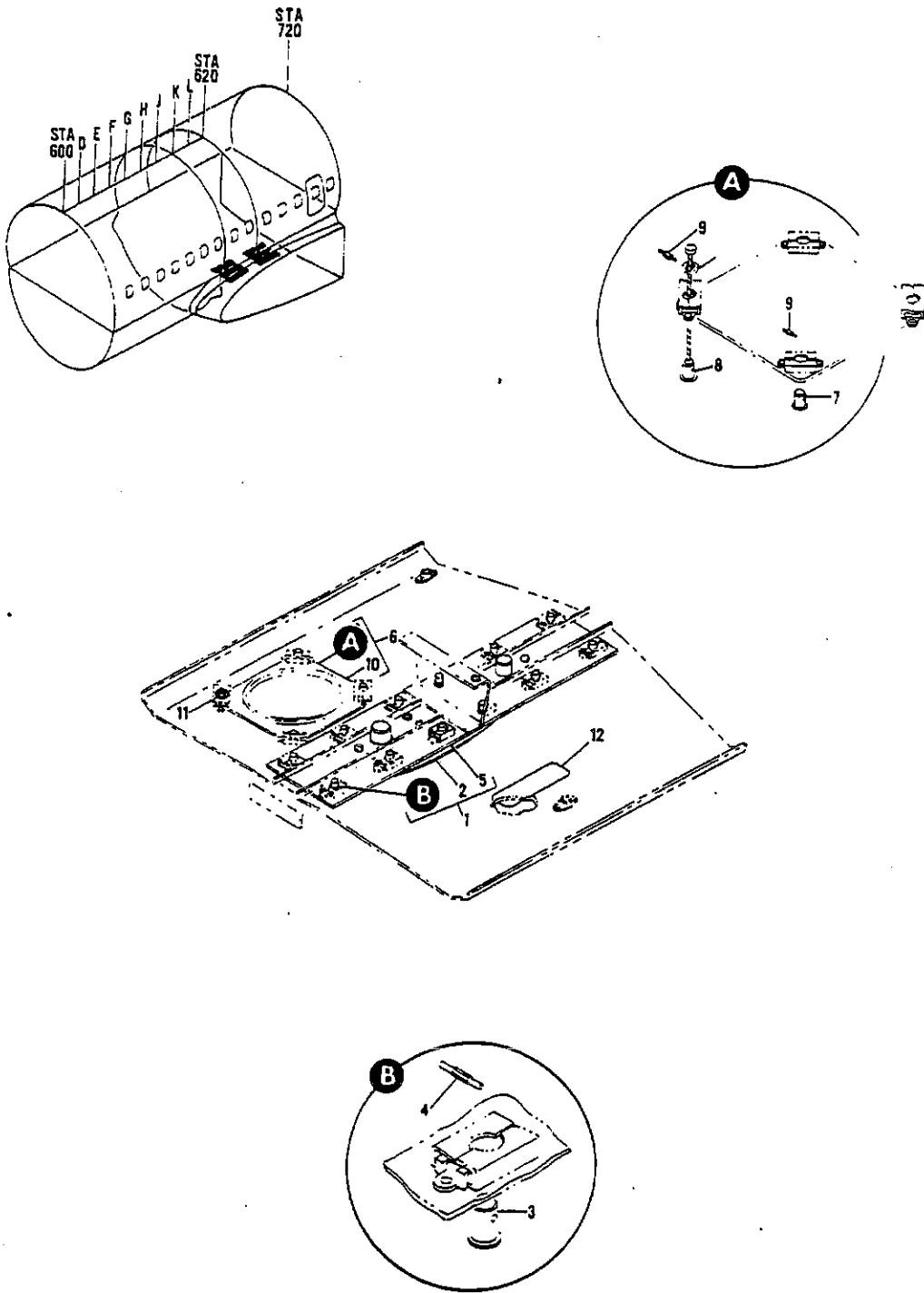


FIGURE 12. ANTENNA INSTL, MARKER BEACON



PARTS CATALOG

FIGURE & ITEM NO.	MANUFACTURER'S PART NUMBER	1 2 3 4 5 6 7	NOMENCLATURE	EFF FROM TO	UNITS PER ASSY
12	65-5320-3		ANTENNA INSTL, STATION 650 MARKER BEACON (SEE 24-3, . . . FIG. 6A, ITEM 6, 24-3, FIG. 6B, ITEM 6, 24-3, FIG. 6C, ITEM 6, 24-3, FIG. 6D, ITEM 9, 24-3, FIG. 6E, ITEM 11 AND 24-3, FIG. 6F, ITEM 7)		RF
1	66-2394-2		. MOUNTING ASSY, MARKER BEACON ANTENNA.		1
2	522-0854-003		. . . ANTENNA, (TYPE 37X2) (V13499) (CUSTOMER FURNISHED)		1
			ATTACHING PARTS		
	AN502-10-6		. . . SCREW		6
	AN960D10		. . . WASHER.		6
3	BACS21B5RH13		. . . STUD.		12
4	BACP18A5		. . . PIN		12
5	66-2394-1		. . . PLATE, MARKER BEACON ANTENNA MOUNTING		1
6	66-2371		. COVER ASSY, MARKER BEACON ANTENNA		1
7	BACS21B5RH11		. . . STUD.		3
8	BACS21C110-4R		. . . STUD.		1
9	BACP18A5		. . . PIN		4
10	66-2371-1		. . . COVER, MARKER BEACON ANTENNA.		1
11	BACW10B1		. WASHER.		1
	65-5320-1		. SUPPORT INSTL, MARKER BEACON ANTENNA.		1

MISSING ITEM NUMBERS ARE NOT APPLICABLE

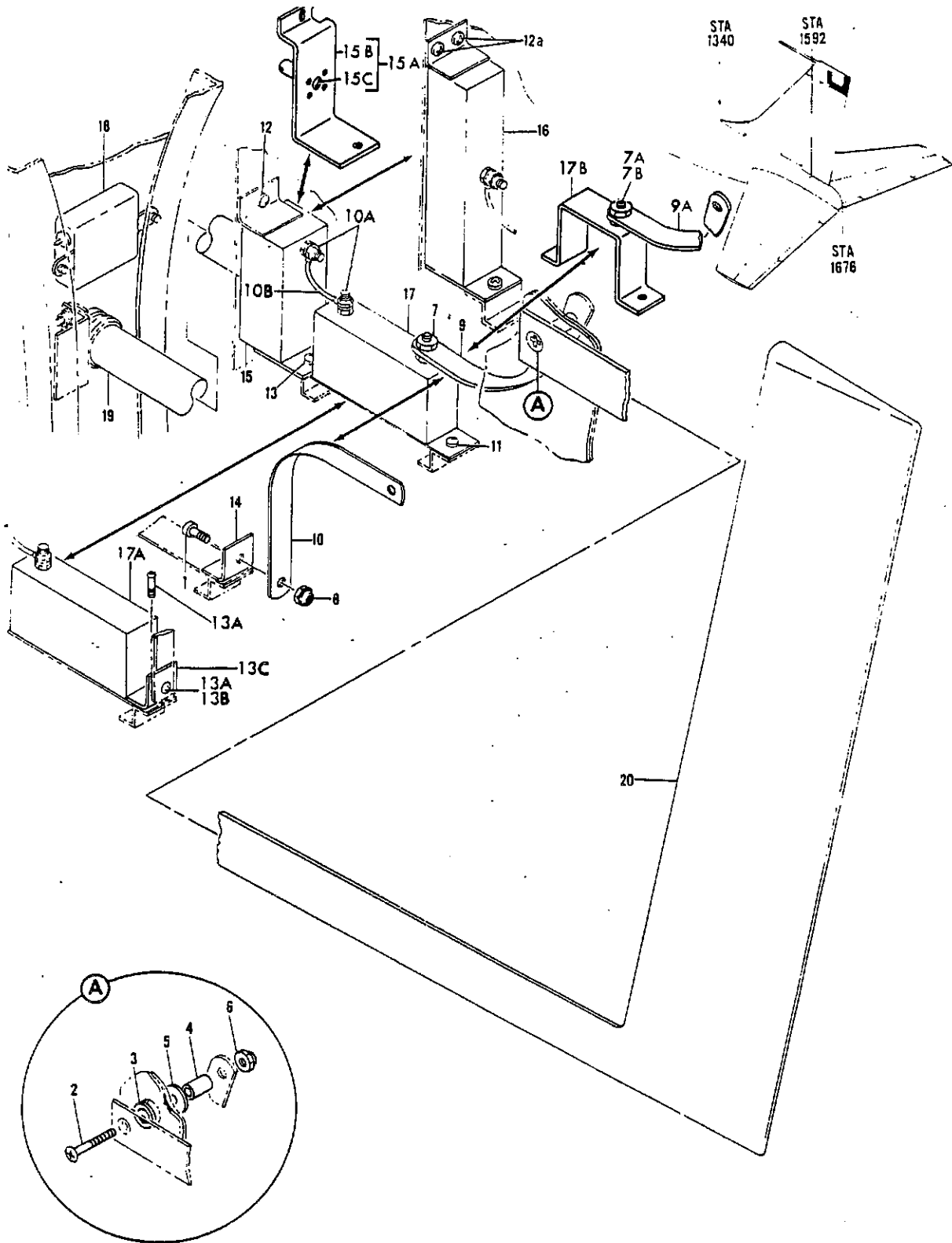


FIGURE 14. EQUIPMENT INSTL. LORAN ANTENNA
 CONDUIT INSTL. AFT FIN TIP LORAN CABLE
 ANTENNA INSTL. LORAN



PARTS CATALOG

FIGURE & ITEM NO.	MANUFACTURER'S PART NUMBER	NOMENCLATURE							EFF FROM TO	UNITS PER ASSY
		1	2	3	4	5	6	7		
14		EQUIPMENT INSTL, LORAN ANTENNA.								
		CONDUIT INSTL, AFT FIN TIP LORAN CABLE.								
		ANTENNA INSTL, LORAN.								
	65-2349-8	. EQUIPMENT INSTL, LORAN ANTENNA (SEE 55-1, FIG. 2,							5199	RF
		ITEM 55 AND 55-1, FIG. 3, ITEM 55)								
	65-2349-9	. EQUIPMENT INSTL, LORAN ANTENNA (SEE 55-1, FIG. 2,							0150	RF
		ITEM 55)								
1	NAS604-9P	. . . SCREW							5199	1
2	NAS514P428-24	. . . SCREW								1
3	BACS18K25-12	. . . SPACER.								1
4	NAS43DD4-58	. . . SPACER.								1
5	BACW10P11AL	. . . WASHER.								1
6	BACN10JC4	. . . NUT								1
7	BACN10JC4	. . . NUT								1
8	BACN10JC4	. . . NUT							5199	1
9	BACJ40E20-28	. . . JUMPER ASSY								1
10	BACJ40E20-28	. . . JUMPER ASSY							5199	1
10A	BACN10JC3	. . . NUT								2
10B	BACJ40A20-2	. . . JUMPER ASSY								1
11	NAS603-6P	. . . SCREW								1
12	NAS603-8P	. . . SCREW								1
12A	NAS603-8P	. . . SCREW							0150	2
13	NAS603-7P	. . . SCREW								1
13A	NAS603-9P	. . . SCREW, (USED WITH AD969LAH (V74999)).								2
13B	NAS679A4W	. . . NUT, (USED WITH AD969LAH (V74999)).								1
13C	65-2349-4	. . . ANGLE, GROUNDING (USED WITH AD969LAH (V74999)).								1
14	65-2349-4	. . . ANGLE, LORAN ANTENNA EQUIPMENT GROUNDING.							5199	1
		ATTACHING PARTS								
	NAS603-6P	. . . SCREW							5199	1
15	AD969LCH	. . . COUPLER, PASSIVE (V23663) (USED WITH AD969LAH) (TO BE REPLACED BY 10-60013 AND 10-60451-1 BY CUSTOMER AFTER AIRPLANE DELIVERY)							0150	1
15A	ECC00310	. . . COUPLER, (V25950)							5199	1
16	10-60451-1	. . . COUPLER, LORAN A AND C (USED WITH 10-60451-2)							0150	1
		(CUSTOMER FURNISHED) (REPLACES AD969LCH AFTER AIRPLANE DELIVERY)								
17	10-60013	. . . ARRESTER, HF AND LORAN ANTENNAS LIGHTNING (USED WITH 10-60451-1 AND -2) (CUSTOMER FURNISHED) (REPLACES AD969LAH AFTER AIRPLANE DELIVERY)							0150	1
17A	AD969LAH	. . . ARRESTER, HF AND LIGHTNING (V23663)							5199	1
17A	AD969LAH	. . . ARRESTER, HF AND LIGHTNING (V23663) (USED WITH AD969LCH (TO BE REPLACED BY 10-60013, 10-60451-1 AND -2 BY CUSTOMER AFTER AIRPLANE DELIVERY)							0150	1
18	10-60451-2	. . . FILTER, RADIO NOISE (USED WITH 10-60451-1).							0150	1
		(CUSTOMER FURNISHED) (REPLACES AD969LCH AFTER AIRPLANE DELIVERY)								
	NAS601-6P	ATTACHING PARTS								
		. . . SCREW							0150	2
	69-4641-4	. . . CONDUIT INSTL, AFT FIN TIP LORAN CABLE (SEE 55-1, FIG. 2, ITEM 59B AND 55-1, FIG. 3, ITEM 56)								RF
19	69-4641-5	. . . CONDUIT, AFT FIN TIP LORAN CABLE.								1
	65-2349-5	. . . ANTENNA INSTL, LORAN (SEE 55-1, FIG. 5, ITEM 43).								RF
20	65-2349-10	. . . PLATE, LORAN ANTENNA.								1
		ATTACHING PARTS								
	BACR15AQ4-141	. . . RIVET								18

MISSING ITEM NUMBERS ARE NOT APPLICABLE

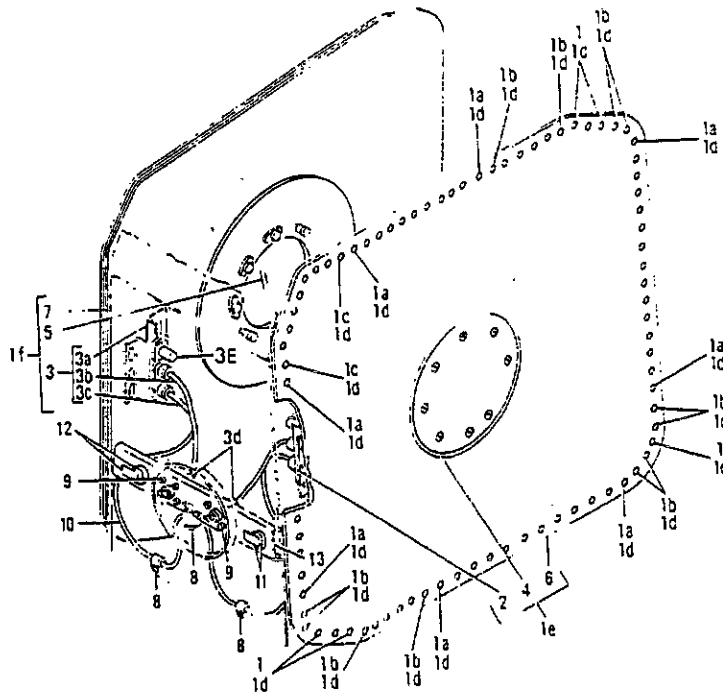
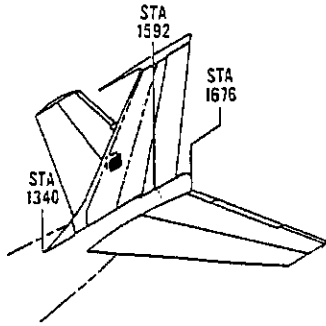


FIGURE 16. ANTENNA INSTL, NAVIGATION VHF
CABLE INSTL, NAVIGATION VHF ANTENNA



PARTS CATALOG

FIGURE & ITEM NO.	MANUFACTURER'S PART NUMBER	1 2 3 4 5 8 7	NOMENCLATURE	EFF	UNITS
				FROM TO	PER ASSY
16			ANTENNA INSTL, NAVIGATION VHF		
	5-88152-3029		CABLE INSTL, NAVIGATION VHF ANTENNA	0150	RF
			. ANTENNA INSTL, NAVIGATION VHF (LH) (SEE 55-1, FIG.		
			2, ITEM 57)		
	5-88152-3030		. ANTENNA INSTL, NAVIGATION VHF (RH) (SEE 55-1, FIG.	0150	RF
			2, ITEM 58)		
	5-88152-3029		. ANTENNA INSTL, NAVIGATION VHF (LH) (VARIABLE.	5199	RF
			DWG;5-88152-5001) (SEE 55-1, FIG. 2, ITEM 57)		
	5-88152-3030		. ANTENNA INSTL, NAVIGATION VHF (RH) (VARIABLE.	5199	RF
			DWG;5-88152-5002) (SEE 55-1, FIG. 2, ITEM 58)		
1E	5-88152-3033	 ANTENNA ASSY, NAVIGATION VHF (LH ONLY).		1
1F	5-88152-3034	 ANTENNA ASSY, NAVIGATION VHF (RH ONLY).		1
2	69-17443-1	 FEED ASSY, VOR ANTENNA (LH ONLY).		1
3	69-17443-2	 FEED ASSY, VOR ANTENNA (RH ONLY).		1
			ATTACHING PARTS		
	NAS514P632-8	 SCREW		7
			-----*		
3A	69-17443-4	 SCREEN, VOR ANTENNA INDUCTIVE FEED.		1
3B	69-17443-5	 CABLE, VOR ANTENNA FEED COAXIAL		1
3C	69-17443-6	 CABLE, VOR ANTENNA FEED COAXIAL TUNING.		1
3D	BACC64AM1	 PLUG.		1
			(OPTIONAL BACP20AL709X)		
3D	BACP20AL709X	 PLUG.		1
			(OPTIONAL TO BACC6AAM1)		
3E	M39012-22-0001	 RECEPTACLE, ELECTRICAL.		1
4	5-88152-27	 DOOR ASSY, NAVIGATION VHF ANTENNA LH (LH ONLY).		1
5	5-88152-28	 DOOR ASSY, NAVIGATION VHF ANTENNA RH (RH ONLY).		1
			ATTACHING PARTS		
	NAS517-3-6	 SCREW		8
			-----*		
6	5-88152-3035	 PANEL ASSY, NAVIGATION VHF ANTENNA LH (LH ONLY)		1
7	5-88152-3036	 PANEL ASSY, NAVIGATION VHF ANTENNA RH (RH ONLY)		1
	5-88152-3031		. CABLE INSTL, NAVIGATION VHF ANTENNA (SEE 55-1, FIG.	0150	RF
			2, ITEM 59)		
	5-88152-3031		. CABLE INSTL, NAVIGATION VHF ANTENNA (VARIABLE	5199	RF
			DWG;5-88152-5003) (SEE 55-1, FIG. 2, ITEM 59)		
8	BACC100K3	 CLAMP		3
			(OPTIONALS BACC10DF103W, BACC10BS103)		
8	BACC10DF103W	 CLAMP		3
			(OPTIONAL TO BACC100K3)		
8	BACC10BS103	 CLAMP		3
			(OPTIONAL TO BACC100K3)		
			ATTACHING PARTS		
	NAS603-14	 SCREW		1
	NAS603-7	 SCREW		2
	NAS679A3W	 NUT		2
			-----*		
9	AN500A6-5	 SCREW		8
10	66-1351-4	 CABLE ASSY, VOR ANTENNA PHASING		1
			(OPTIONALS 61-22635-1, 61-26043-1)		
10	61-22635-1	 CABLE ASSY, VOR ANTENNA PHASING		1
			(OPTIONAL TO 66-1351-4)		
10	61-26043-1	 CABLE ASSY, VOR ANTENNA PHASING		1
			(OPTIONAL TO 66-1351-4)		
11	BACM10D10-12BBH	 MARKER-ALUMINUM FOIL, DISCONNECT.		2
12	BACM10D10-12BBJ	 MARKER-ALUMINUM FOIL, DISCONNECT.		2
13	66-4463-1	 CHANNEL, VHF NAVIGATION RECEPTACLE SUPPORT.		1
			ATTACHING PARTS		
	NAS603-6	 SCREW		2
	NAS603-7	 SCREW		2
			-----*		

MISSING ITEM NUMBERS ARE NOT APPLICABLE

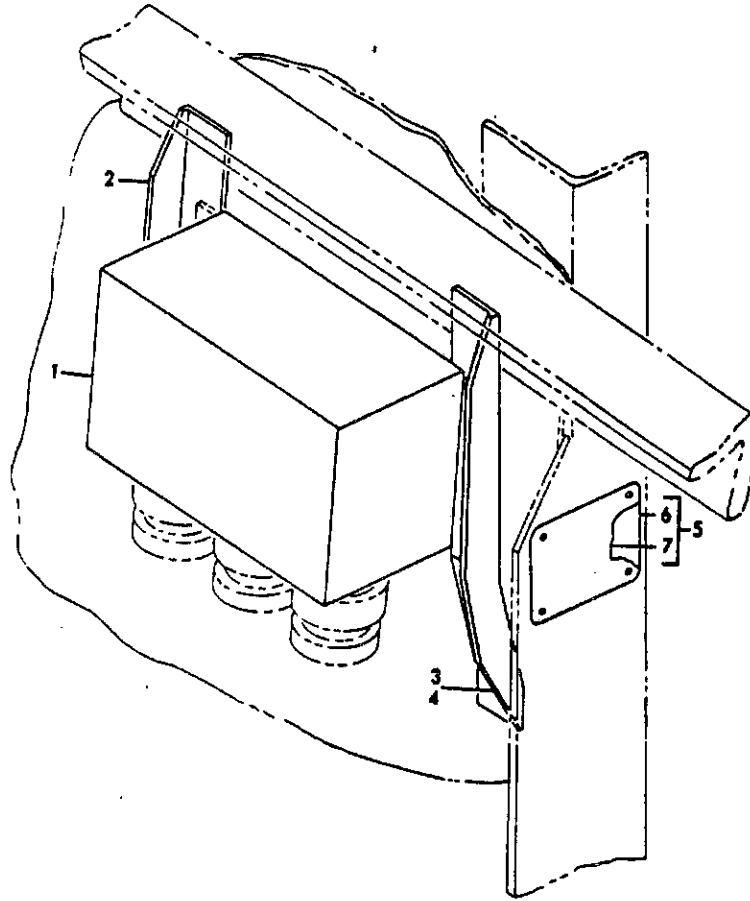
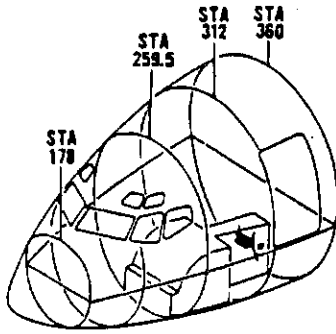


FIGURE 18. SWITCH INSTL, ADF NO. 1 CHANGE
SUPPORT INSTL, ADF NO. 1 CHANGE
METAL-CAL ASSY, ADF CHANGE SWITCH

BOEING
Intercontinental

PARTS CATALOG

FIGURE & ITEM NO.	MANUFACTURER'S PART NUMBER	NOMENCLATURE							EFF FROM TO	UNITS PER ASSY
		1	2	3	4	5	6	7		
18	65-28032-5	SUPPORT INSTL, ADF NO. 1 CHANGEOVER							5199	
		. SUPPORT INSTL, ADF NO. 1 CHANGEOVER, (SEE 24-3, FIG. 5B, ITEM 61, 24-3, FIG. 5D, ITEM 69, 24-3, FIG. 5E, ITEM 50 AND 24-3, FIG. 5F, ITEM 43A)							5199	RF
4	65-28032-3	. . ANGLE							5199	1

MISSING ITEM NUMBERS ARE NOT APPLICABLE

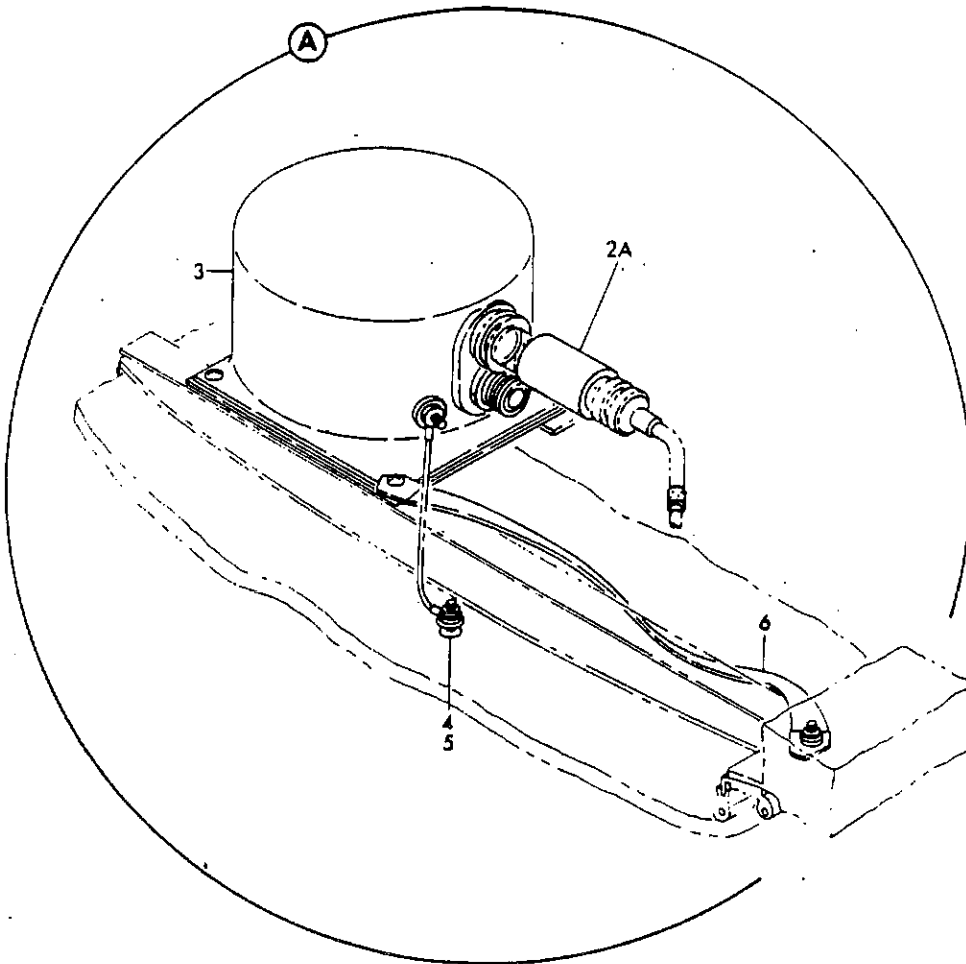
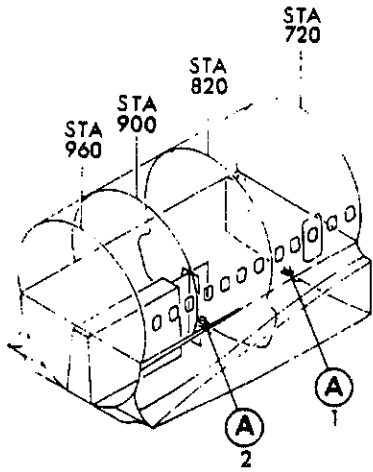


FIGURE 25B. COUPLER INSTL, STATIONS 720 AND 820 ADF SENSE ANTENNA



PARTS CATALOG

FIGURE & ITEM NO.	MANUFACTURER'S PART NUMBER	NOMENCLATURE							EFF FROM TO	UNITS PER ASSY	
		1	2	3	4	5	6	7			
R R R R R R R R R R	25B 1	50-10839	COUPLER INSTL, STATION 720 ADF SENSE ANTENNA (SEE 24-3, FIG. 6B, ITEM 3, 24-3, FIG. 6D, ITEM 3, 24-3, FIG. 6E, ITEM 4 AND 24-3, FIG. 6F, ITEM 3)							0150	RF
	1	50-10839	COUPLER INSTL, STATION 720 ADF SENSE ANTENNA (VARIABLE DWG:50-10839-5001) (SEE 24-3, FIG. 6B, ITEM 3 AND 24-3, FIG. 6F, ITEM 3)							5199	RF
	2	50-10839-1	COUPLER INSTL, STATION 820 ADF SENSE ANTENNA (SEE 24-3, FIG. 6B, ITEM 4, 24-3, FIG. 6D, ITEM 4, 24-3, FIG. 6E, ITEM 5 AND 24-3, FIG. 6F, ITEM 4)							0150	RF
	2	50-10839-1	COUPLER INSTL, STATION 820 ADF SENSE ANTENNA (VARIABLE DWG:50-10839-5002) (SEE 24-3, FIG. 6B, ITEM 3 AND 24-3, FIG. 6F, ITEM 3)							5199	RF
	3	2087772-7304	. COUPLER, (TYPE CUA73A190) (V27914) (CUSTOMER. . . . FURNISHED)								1
		NAS602-10P	. ATTACHING PARTS . SCREW								4
	4	NAS514P1032-14	. SCREW								1
	5	BACN10JC3	. NUT								1
	6	50-10839-2	. JUMPER, (ALTERED FROM 740C4-13 (V91812)). ATTACHING PARTS . WASHER.								1
		MS35335-33 BACN10JC4	. NUT -----*								1

MISSING ITEM NUMBERS ARE NOT APPLICABLE

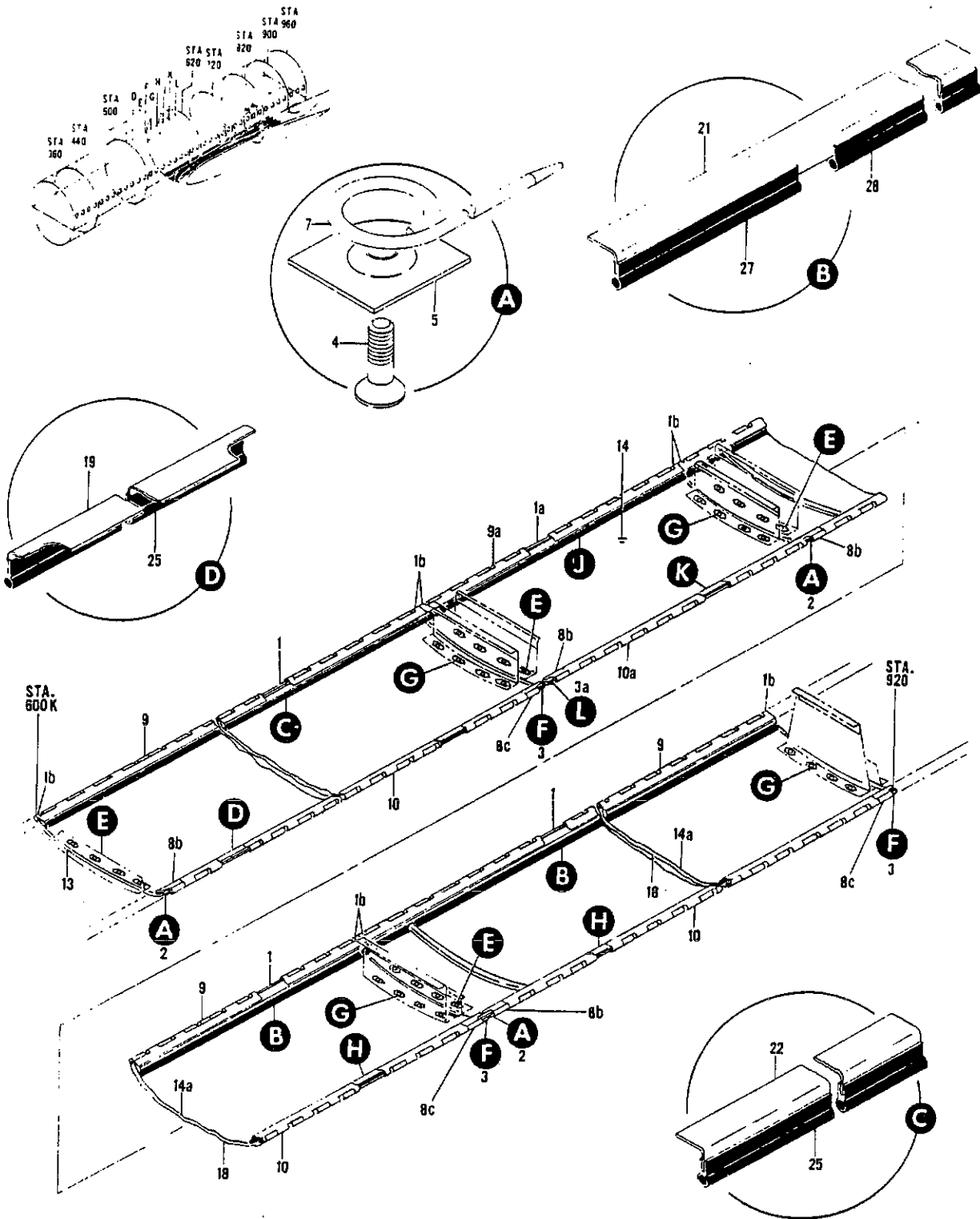


FIGURE 27. DOOR INSTL, SECTION 43 ANTENNA (SHEET 1)

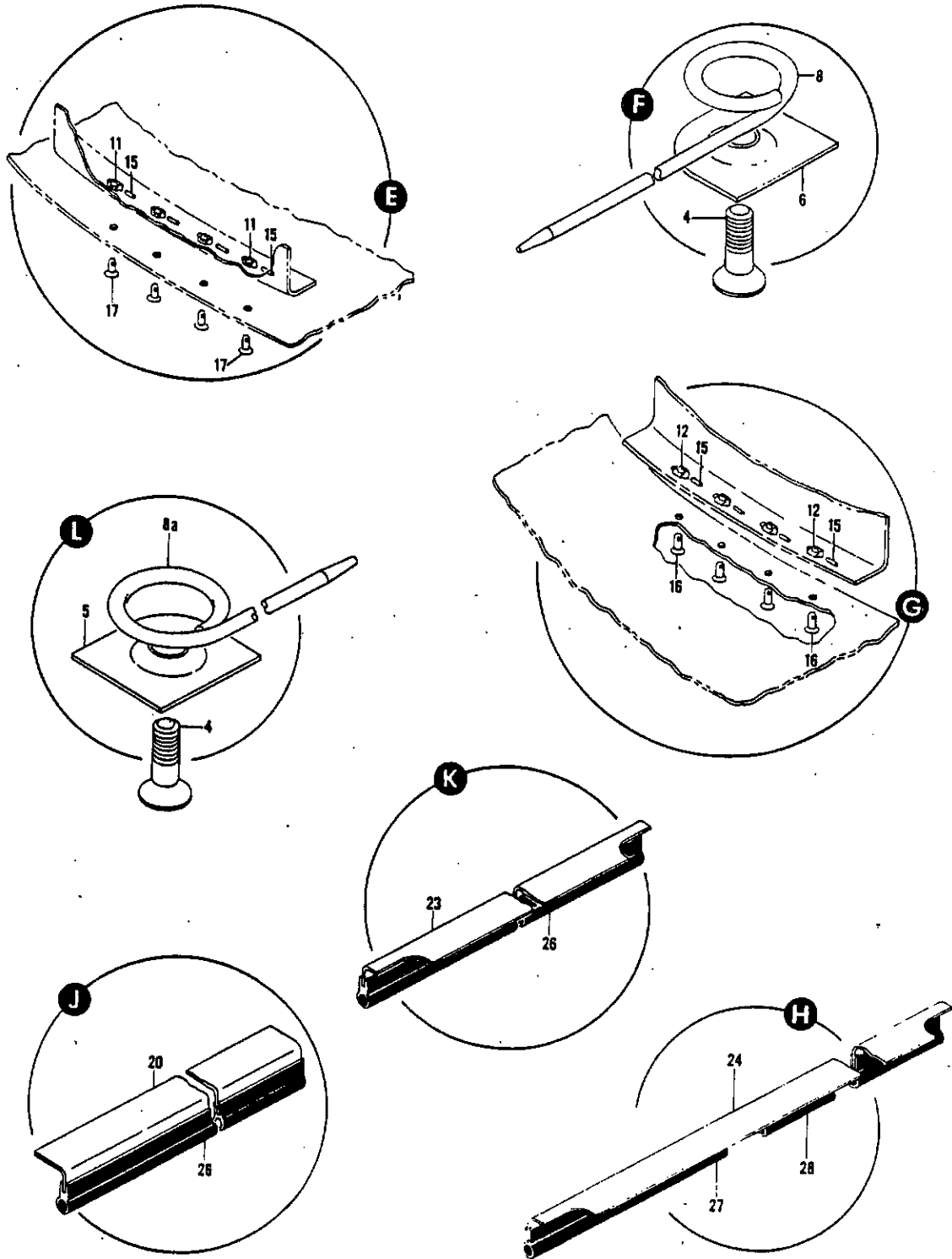


FIGURE 27. DOOR INSTL. SECTION 43 ANTENNA (SHEET 2)



PARTS CATALOG

FIGURE & ITEM NO.	MANUFACTURER'S PART NUMBER	1 2 3 4 5 6 7	NOMENCLATURE	EFF FROM TO	UNITS PER ASSY
27	50-5316-3		DOOR INSTL, SECTION 43 STATION 600K TO 680 ANTENNA (SEE 53-2, FIG. 2, ITEM 2)		RF
	50-5316-4		DOOR INSTL, SECTION 43 STATION 680 TO 720 ANTENNA (SEE 53-2, FIG. 2, ITEM 3)		RF
	50-5316-5		DOOR INSTL, SECTION 43 STATION 720 TO 820 ANTENNA (SEE 53-2, FIG. 2, ITEM 4)		RF
	50-5316-6		DOOR INSTL, SECTION 43 STATION 820 TO 920 ANTENNA (SEE 53-2, FIG. 2, ITEM 5)		RF
1	AN253-2-9914		. PIN, (USED ON 50-5316-3, -5 AND -6)		1
1A	AN253-2-3915		. PIN, (USED ON 50-5316-4)		1
1B	NAS561P2-4		. PIN		2
2	66-1359-1		. PIN ASSY, SECTION 43 ANTENNA DOOR HINGE (USED ON 50-5316-3, -5 AND -6)		1
3	66-1359-2		. PIN ASSY, SECTION 43 ANTENNA DOOR HINGE (USED ON 50-5316-3, -5 AND -6)		1
3A	66-1359-7		. PIN ASSY, SECTION 43 ANTENNA DOOR HINGE (USED ON 50-5316-4)		1
4	NAS514P1032-12		. . SCREW		1
5	66-1359-5		. . WASHER, SECTION 43 ANTENNA DOOR HINGE PIN (USED ON 66-1359-1 AND -7)		1
6	66-1359-6		. . WASHER, SECTION 43 ANTENNA DOOR HINGE PIN (USED ON 66-1359-2)		1
7	66-1359-3		. . PIN, SECTION 43 ANTENNA DOOR HINGE (ALTERED FROM AN253-2-5123) (USED ON 66-1359-1)		1
8	66-1359-4		. . PIN, SECTION 43 ANTENNA DOOR HINGE (ALTERED FROM AN253-2-5123) (USED ON 66-1359-2)		1
8A	66-1359-8		. . PIN, SECTION 43 ANTENNA DOOR HINGE (ALTERED FROM AN253-2-5123) (USED ON 66-1359-7)		1
8B	66-10528-1		. HINGE HALF, ANTENNA DOOR		1
8C	66-10528-2		. HINGE HALF, ANTENNA DOOR (USED ON 50-5316-3, -5 AND -6)		1
			ATTACHING PARTS		
	NAS1103-5W		. BOLT, (USED ON 50-5316-3 AND -5)		4
	NAS1103-5W		. BOLT, (USED ON 50-5316-4 AND -6)		2
	NAS1103-5W		. BOLT, (USED ON 50-5316-6)		1
	NAS1103-3W		. BOLT, (USED ON 50-5316-6)		1
	AN960D10		. WASHER, (USED ON 50-5316-3, -5 AND -6)		4
	AN960D10		. WASHER, (USED ON 50-5316-4)		2
	NAS679A3W		. NUT, (USED ON 50-5316-3, -5 AND -6)		4
	NAS679A3W		. NUT, (USED ON 50-5316-4)		2
9	50-5316-32		. HINGE HALF, ANTENNA DOOR (USED ON 50-5316-3 AND -5)		1
9	50-5316-36		. HINGE HALF, ANTENNA DOOR (USED ON 50-5316-6)		1
9A	50-5316-26		. HINGE HALF, ANTENNA DOOR (USED ON 50-5316-4)		1
			ATTACHING PARTS		
	NAS1304-6W		. BOLT, (USED ON 50-5316-3, -5)		19
	NAS1304-6W		. BOLT, (USED ON 50-5316-6)		23
	NAS1304-6W		. BOLT, (USED ON 50-5316-4)		9
	NAS1304-4W		. BOLT, (USED ON 50-5316-3, -4)		1
	NAS1304-4W		. BOLT, (USED ON 50-5316-5, -6)		2
	AN960PD416		. WASHER, (USED ON 50-5316-3)		19
	AN960D16		. WASHER, (USED ON 50-5316-5)		19
	AN960PD416		. WASHER, (USED ON 50-5316-6)		23
	AN960PD416		. WASHER, (USED ON 50-5316-4)		9
	AN960PD416		. WASHER, (USED ON 50-5316-3, -4)		1
	AN960D16		. WASHER, (USED ON 50-5316-5, -6)		2
	NAS679A4W		. NUT, (USED ON 50-5316-3 AND -4)		1
	NAS679A4W		. NUT, (USED ON 50-5316-5 AND -6)		2
10	50-5316-31		. HINGE HALF, ANTENNA DOOR (USED ON 50-5316-3 AND -5)		1
10	50-5316-35		. HINGE HALF, ANTENNA DOOR (USED ON 50-5316-6)		1
10A	50-5316-25		. HINGE HALF, ANTENNA DOOR (USED ON 50-5316-4)		1
			ATTACHING PARTS		
	NAS1304-6W		. BOLT, (USED ON 50-5316-4)		9
	NAS1304-6W		. BOLT, (USED ON 50-5316-3, -5)		19
	NAS1304-6W		. BOLT, (USED ON 50-5316-6)		23
	NAS1304-4W		. BOLT, (USED ON 50-5316-3, -5, -6)		1
	AN960PD416		. WASHER, (USED ON 50-5316-4)		9
	AN960PD416		. WASHER, (USED ON 50-5316-3, -5)		19
	AN960PD416		. WASHER, (USED ON 50-5316-6)		23
	AN960PD416		. WASHER, (USED ON 50-5316-3, -5, -6)		1
	NAS679A4W		. NUT, (USED ON 50-5316-3, -5 AND -6)		1

MISSING ITEM NUMBERS ARE NOT APPLICABLE



PARTS CATALOG

FIGURE & ITEM NO.	MANUFACTURER'S PART NUMBER	1 2 3 4 5 6 7	NOMENCLATURE	EFF	UNITS
				FROM TO	PER ASSY
27	69-9635		. SUPPORT ASSY, STATION 600K ANTENNA DOOR (USED ON . . . 50-5316-3)		1
	69-9635-1		. SUPPORT ASSY, STATION 680 AND 720 ANTENNA DOOR (USED ON 50-5316-4 AND -5)		1
	69-9635-2		. SUPPORT ASSY, STATION 820 ANTENNA DOOR (USED ON . . . 50-5316-6)		1
	69-9635-3		. SUPPORT ASSY, STATION 920 ANTENNA DOOR (USED ON . . . 50-5316-6)		1
11	BACS20A7P		. . SPRING, (USED ON 69-9635, -1 AND -2)		4
	69-9636		. BULKHEAD INSTL, STATION 678.74 AND 718.74 ANTENNA . . DOOR (USED ON 50-5316-3 AND -4)		1
	69-9636-1		. BULKHEAD INSTL, STATION 817.08 ANTENNA DOOR (USED ON 50-5316-5)		1
	69-9700		. BULKHEAD INSTL, STATION 918.74 ANTENNA DOOR (USED ON 50-5316-6)		1
12	BACS20A7P		. . SPRING		4
13	50-5327-26		. DOOR ASSY, (USED ON 50-5316-3) 5199		1
			(FOR REPLACEMENT ORDER 65C13829-2)		
13	65C13829-2		. DOOR ASSY, (USED ON 50-5316-3) 5199		1
			(REPLACEMENT FOR 50-5327-2 AND -26)		
14	65C13829-3		. DOOR ASSY, (USED ON 50-5316-4) 5199		1
14A	65C13829-1		. DOOR ASSY, (USED ON 50-5316-5, -6) 5199		1
15	BACP18A7		. . PIN 5199		8
16	BACS21T7FH26		. . STUD. 5199		4
17	BACS21T7FH40		. . STUD. 5199		4
18	50-5327-14		. . ELEMENT, METAL WIRE CLOTH (USED ON 65C13829-1) . . . 5199		1
			ATTACHING PARTS		
	NAS514P1032-10		. . SCREW, (USED ON 50-5327-1, 25, 65C13829-1) 5199		5
	AN960-10L		. . WASHER, (USED ON 50-5327-1, -25, 65C13829-1) 5199		5
	BACN10JC3		. . NUT, (USED ON 65C13829-1) 5199		5
			-----*		
19	50-5316-18		. ANGLE, ANTENNA DOOR SEAL (USED ON 50-5316-3) 1		1
20	50-5316-20		. ANGLE, ANTENNA DOOR SEAL (USED ON 50-5316-4) 1		1
21	50-5316-22		. ANGLE, ANTENNA DOOR SEAL (USED ON 50-5316-5 AND -6) 1		1
22	50-5316-17		. ANGLE, ANTENNA DOOR SEAL (USED ON 50-5316-3) 1		1
23	50-5316-19		. ANGLE, ANTENNA DOOR SEAL (USED ON 50-5316-4) 1		1
24	50-5316-21		. ANGLE, ANTENNA DOOR SEAL (USED ON 50-5316-5 AND -6) 1		1
25	50-5316-13		. SEAL, ANTENNA DOOR (EXTRUSION NO. BAC1521-552 X 99.60 IN. LG) (USED ON 50-5316-3)		2
26	50-5316-14		. SEAL, ANTENNA DOOR (EXTRUSION NO. BAC1521-552 X 39.60 IN. LG) (USED ON 50-5316-4)		2
27	50-5316-15		. SEAL, ANTENNA DOOR (EXTRUSION NO. BAC1521-552 X 6.10 IN. LG) (USED ON 50-5316-5 AND -6)		2
28	50-5316-16		. SEAL, ANTENNA DOOR (EXTRUSION NO. BAC1521-552 X 92.50 IN. LG) (USED ON 50-5316-5 AND -6)		2

MISSING ITEM NUMBERS ARE NOT APPLICABLE

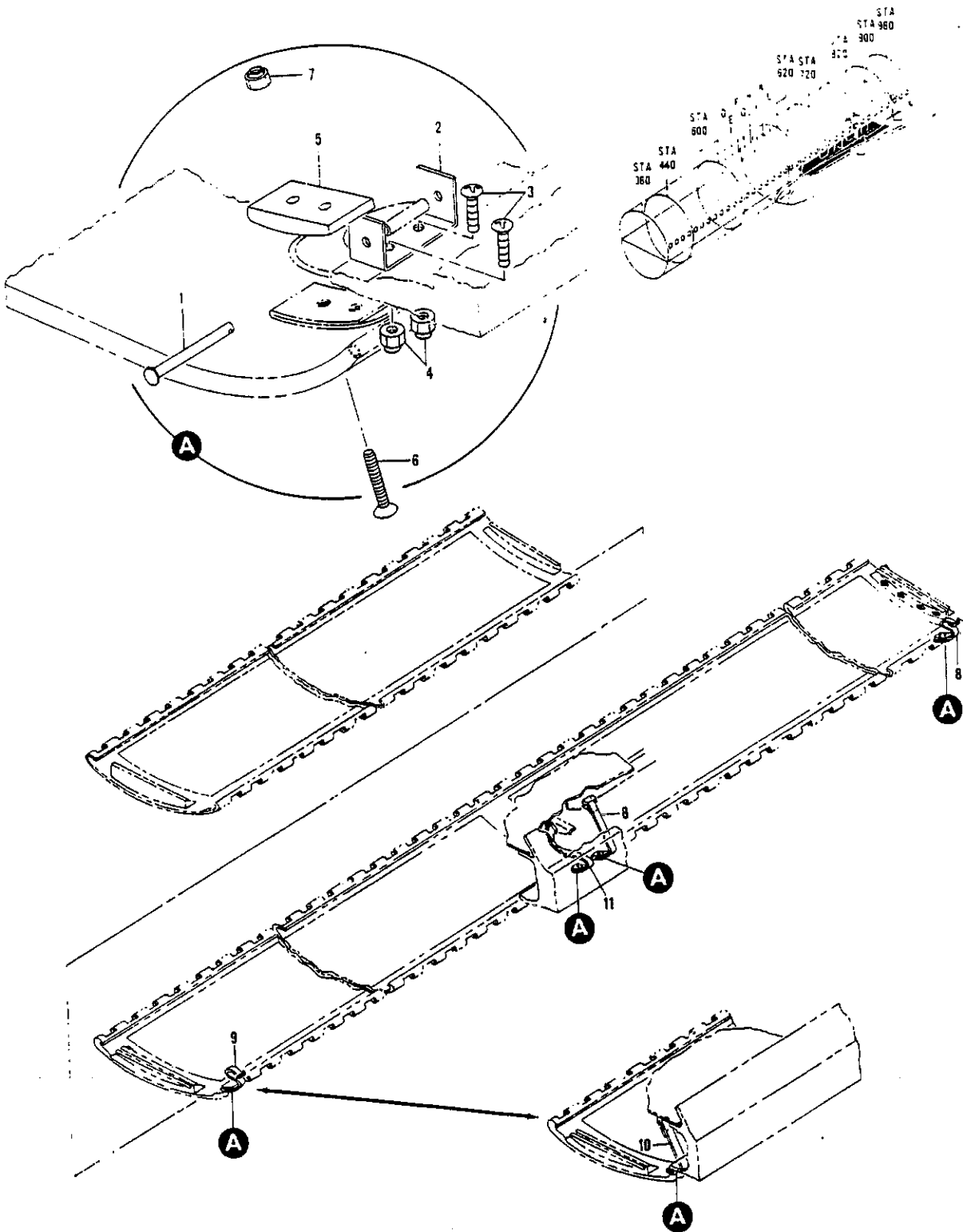


FIGURE 28. STRAP INSTL, ANTENNA DOOR



PARTS CATALOG

FIGURE & ITEM NO.	MANUFACTURER'S PART NUMBER	1 2 3 4 5 6 7	NOMENCLATURE	EFF FROM TO	UNITS PER ASSY
28	65-37066		STRAP INSTL, ANTENNA DOOR (SEE 24-3, FIG. 6A, ITEM 64, 24-3, FIG. 6B, ITEM 42, 24-3, FIG. 6C, ITEM 37, 24-3, FIG. 6D, ITEM 36, 24-3, FIG. 6E, ITEM 42 AND 24-3, FIG. 6F, ITEM 29)		RF
1	AN392-41		. PIN		4
2	66-16012		. SUPPORT, ANTENNA DOOR STOP STRAP.		4
			ATTACHING PARTS		
3	NAS601-5		. SCREW, (STATION 722).		2
3	NAS601-7		. SCREW, (STATIONS 817, 822 AND 918).		6
4	NAS679A06W		. NUT		8
			-----*		
5	66-16012-1		. SPACER, ANTENNA DOOR STOP STRAP SUPPORT		4
			ATTACHING PARTS		
6	NAS514P632-14		. SCREW		8
7	NAS679A06W		. NUT		8
			-----*		
8	66-15079-3		. STRAP, ANTENNA DOOR RESTRAINING		2
10	66-15079-3		. STRAP, ANTENNA DOOR RESTRAINING		1
11	66-15079-4		. STRAP, ANTENNA DOOR RESTRAINING		1

MISSING ITEM NUMBERS ARE NOT APPLICABLE

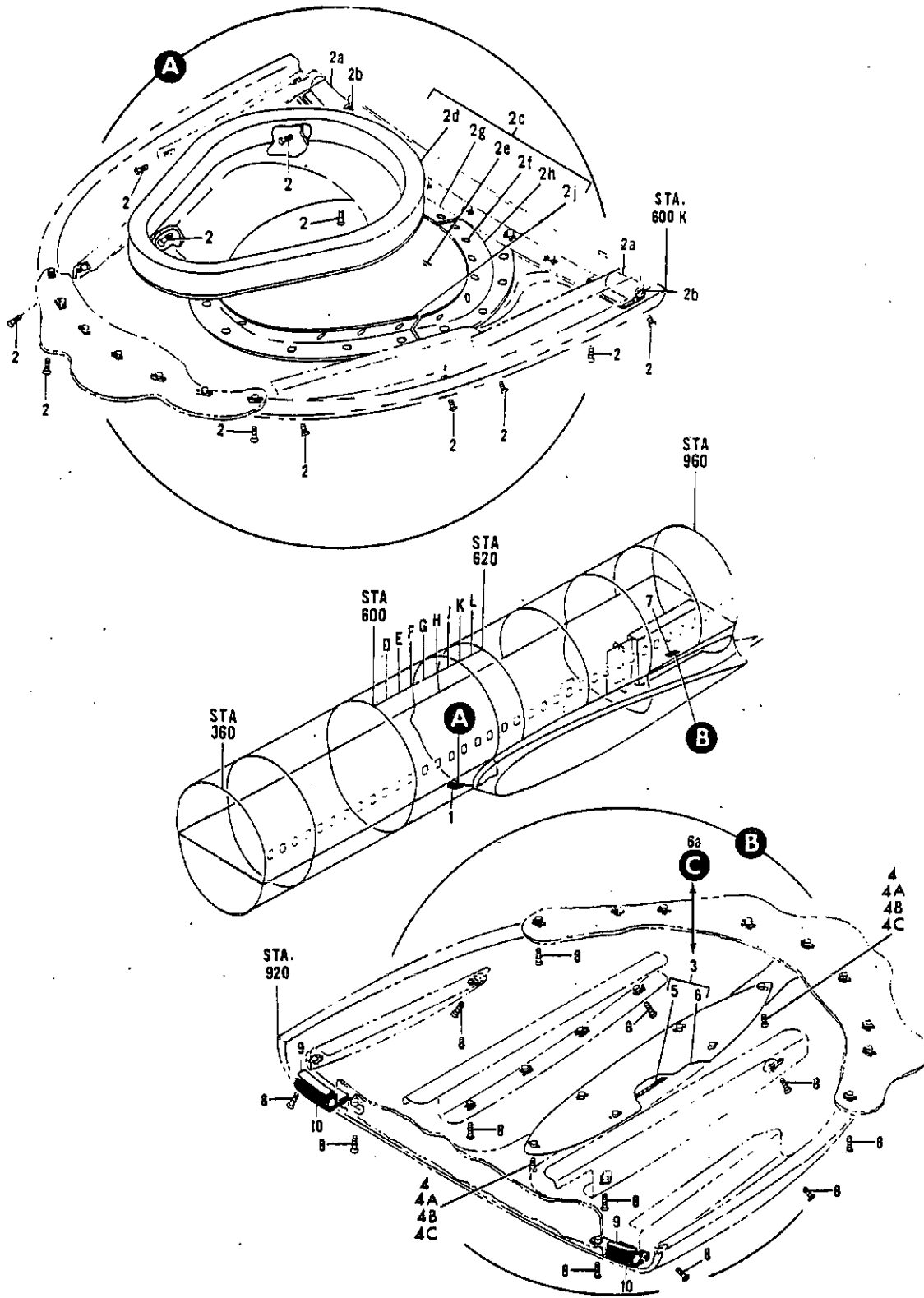


FIGURE 29. FAIRING INSTL. FORWARD AND AFT ANTENNA DOOR (SHEET 1)

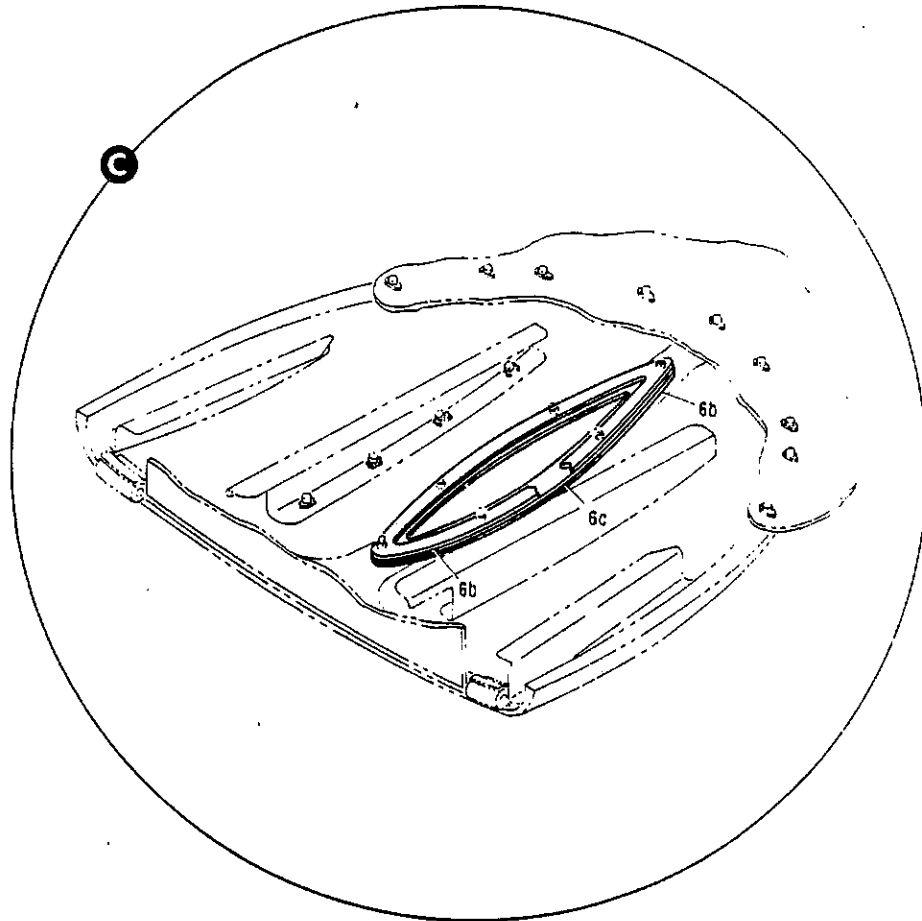


FIGURE 29. FAIRING INSTL. FORWARD AND AFT ANTENNA DOOR (SHEET 2)

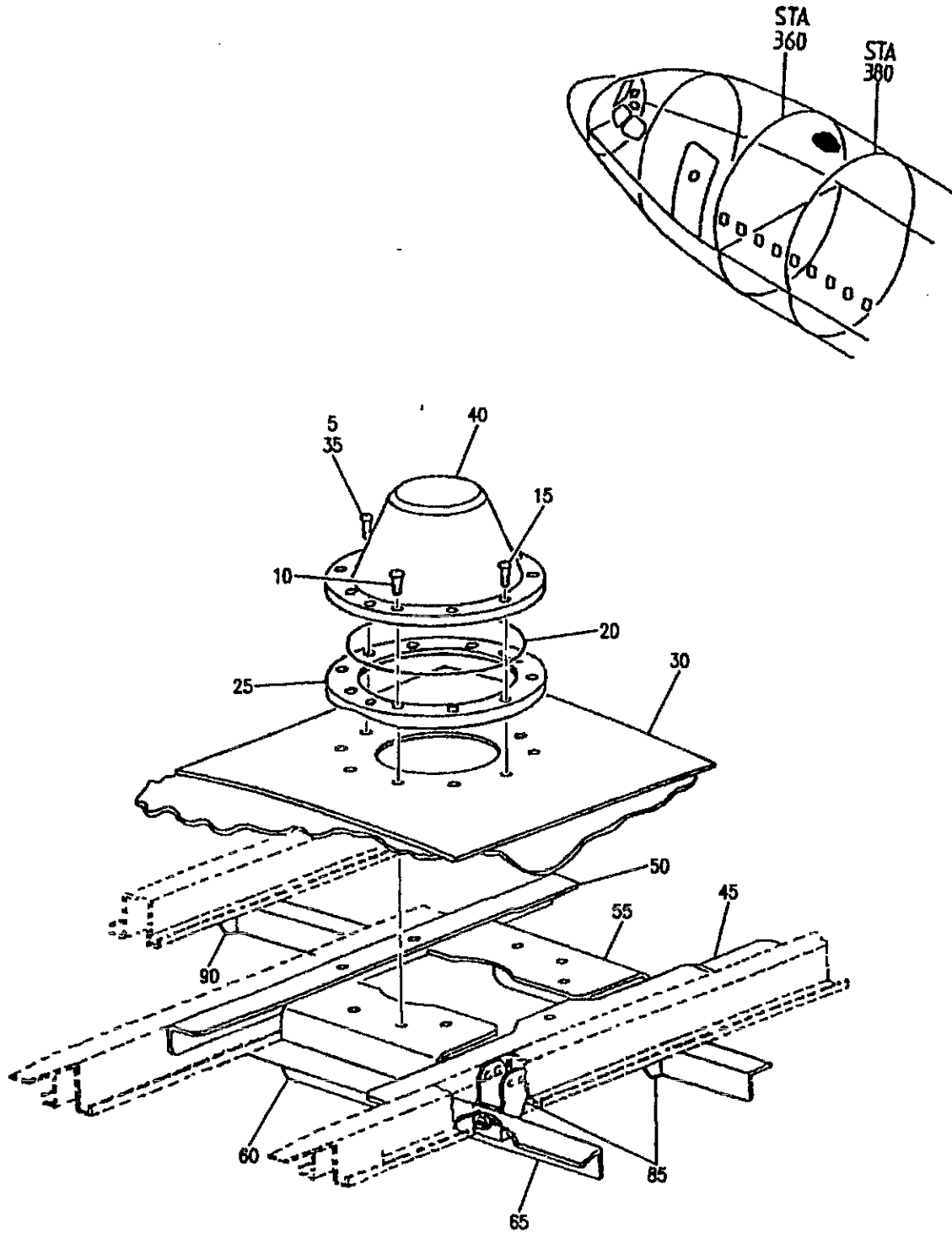


PARTS CATALOG

FIGURE & ITEM NO.	MANUFACTURER'S PART NUMBER	1 2 3 4 5 6 7	NOMENCLATURE	EFF FROM TO	UNITS PER ASSY
29	65-8962		FAIRING INSTL, FORWARD AND AFT ANTENNA DOOR		RF
			. FAIRING INSTL, FORWARD ANTENNA DOOR (SEE 53-2, FIG. 2, ITEM 91)		
1	65-8962-1		. FAIRING, FORWARD ANTENNA DOOR		1
			ATTACHING PARTS		
2	NAS514P1032-10		. SCREW		32
			-----*		
2A	69-44083-2		. RETAINER, FORWARD ANTENNA DOOR SEAL		2
2B	69-44083-5		. SEAL, FORWARD ANTENNA DOOR.		2
2C	65-10081		. EXTENSION ASSY, CABIN PRESSURE OUTFLOW VALVE.		1
2D	65-10081-6		. GASKET.		1
2E	65-10081-1		. EXTENSION		1
2F	AN426B5		. RIVET		AR
2G	65-10081-3		. FLANGE, SUPPORT		1
2H	65-10081-4		. FLANGE, SUPPORT		1
2J	65-10081-5		. FLANGE, SUPPORT		1
	65-10002		. FAIRING INSTL, AFT ANTENNA DOOR (SEE 53-2, FIG. 2, ITEM 98)		RF
R	3	65-10002-2	. PLUG ASSY	5199	1
R	3	65-10002-2	. PLUG ASSY, (DELETED BY RAF MOD 7211.019-186).	0150	1
			ATTACHING PARTS		
R	4	NAS514P1032-8	. SCREW	5199	6
R	4	NAS514P1032-8	. SCREW, (DELETED BY RAF MOD 7211.019-186).	0150	6
			-----*		
R	4A	NAS514P1032-8	. SCREW, (USED TO PLUG REDUNDANT HOLES) (ADDED BY RAF MOD 7211.019-186)	0150	6
R	4B	AN960PD10L	. WASHER, (USED TO PLUG REDUNDANT HOLES).	0150	6
R	4C	BACN10JC3	. NUT, (USED TO PLUG REDUNDANT HOLES (ADDED BY RAF MOD 7211.019-186)	0150	6
R	5	65-10002-4	. INSERT.		1
R	6	65-10002-3	. PLATE, COVER.		1
R	7	65-10002-1	. FAIRING, AFT ANTENNA DOOR		1
			ATTACHING PARTS		
	8	NAS514P1032-10	. SCREW		31
			-----*		
	9	69-44083-3	. RETAINER, AFT ANTENNA DOOR SEAL		2
	10	69-44083-6	. SEAL, AFT ANTENNA DOOR.		2

MISSING ITEM NUMBERS ARE NOT APPLICABLE

BOEING
707
PARTS CATALOG (MAINTENANCE)



A 3402036A REV 272

NAVIGATIONS - ANTENNA SYSTEMS
FIGURE 36A. ANTENNA INSTL, UPPER TACAN 2

DETAILED PARTS LIST
34-02-36A
PAGE 0

34-02-36A

NOV 21/01

BOEING

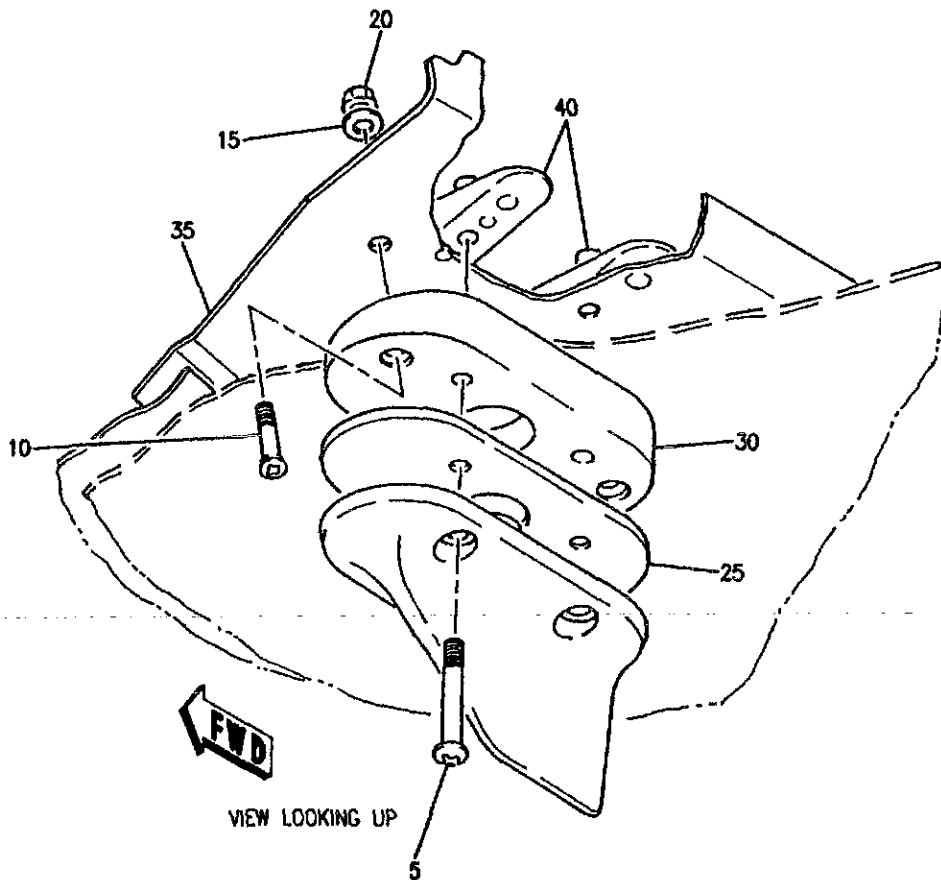
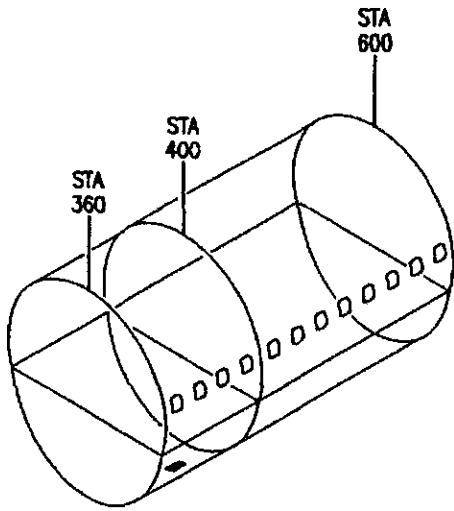
707

PARTS CATALOG (MAINTENANCE)

FIGURE & ITEM NO.	MANUFACTURER'S PART NUMBER	NOMENCLATURE							EFF FROM TO	UNITS PER ASSY
		1	2	3	4	5	6	7		
R 36A	391-34-50-73990-001	ANTENNA INSTL, UPPER TACAN 2							0150	
R		ANTENNA INSTL, UPPER TACAN 2 (VZ0031) (ADDED BY RAF . . .							0150	RF
R		MOD 7211.019-4) (24-3, FIG. 6D, ITEM 100)								
R 5	AN525-10R18	. SCREW, WASHER HEAD.							0150	5
R 10	AN585-10R16	. SCREW, WASHER HEAD.							0150	4
R 15	AN525-10R20	. SCREW, WASHER HEAD.							0150	1
R 20	MS29513-167	. O-RING.							0150	1
R 25	391-34-50-73991-101	. SPACER, (VZ0031).							0150	1
R 30	391-34-50-73991-113	. DOUBLER, (VZ0031)							0150	1
R 35	391-34-50-73991-007	. PLATE ASSY (VZ0031)							0150	1
R 40	622-7259-001	. ANTENNA, TACAN (VS2500)							0150	1
R 45	391-34-50-73991-001	. ANGLE ASSY, STIFFNER (VZ0031)							0150	1
R 50	391-34-50-73991-005	. ANGLE ASSY, STIFFNER (VZ0031)							0150	1
R 55	391-34-50-73991-003	. BRACKET ASSY, (VZ0031).							0150	1
R 60	391-34-50-73991-004	. BRACKET ASSY (VZ0031)							0150	1
R 65	391-34-50-73991-101	. ANGLE, STIFFNER (VZ0031).							0150	2
		ATTACHING PARTS								
R	AN174-5A	. BOLT.							0150	8
R	AN960-416L	. WASHER.							0150	8
R	MS21042NA	. NUT							0150	8
		-----*								
R 85	391-34-50-73991-115	. CLEAT AND STRINGER, (VZ0031).							0150	7
R 90	391-50-73991-119	. CLEAT AND STRINGER, (VZ0031).							0150	1

MISSING ITEM NUMBERS ARE NOT APPLICABLE

BOEING
707
PARTS CATALOG (MAINTENANCE)



A 3402037A REV 272

NAVIGATION - ANTENNA SYSTEMS
FIGURE 37A. ANTENNA INSTL, TACAN 1 LOWER STA 375.50

DETAILED PARTS LIST
34-02-37A
PAGE 0

34-02-37A

NOV 21/01

BOEING

707

PARTS CATALOG (MAINTENANCE)

FIGURE & ITEM NO.	MANUFACTURER'S PART NUMBER	NOMENCLATURE							EFF FROM TO	UNITS PER ASSY		
		1	2	3	4	5	6	7				
R R R R R R R R R R R	37A	ANTENNA INSTL, TACAN I LOWER STA 375.50							0150	RF		
		391-34-50-74314-001	ANTENNA INSTL, TACAN I LOWER STA 375.50 (VZ00031) (ADDED BY RAF MOD 7211.019-4) (SEE 24-3, FIG. 6D, ITEM 110)								0150	
		5	MS27039-1-28	. SCREW							0150	4
		10	MS24694S56	. SCREW							0150	2
		15	AN960KD10L	. WASHER							0150	2
		20	MS21042-3	. NUT							0150	2
		25	391-34-50-73993-107	. GASKET, (VZ0031)							0150	1
		30	391-34-50-74987-103	. PEDESTAL, (VZ0031)							0150	1
		35	391-34-50-74987-101	. DOUBLER, (VZ0031)							0150	1
		40	391-34-50-74987-001	. SPACER, (VZ0031)							0150	1
		45	A177B	. ANTENNA, (TACAN) (VU1907)							0150	1

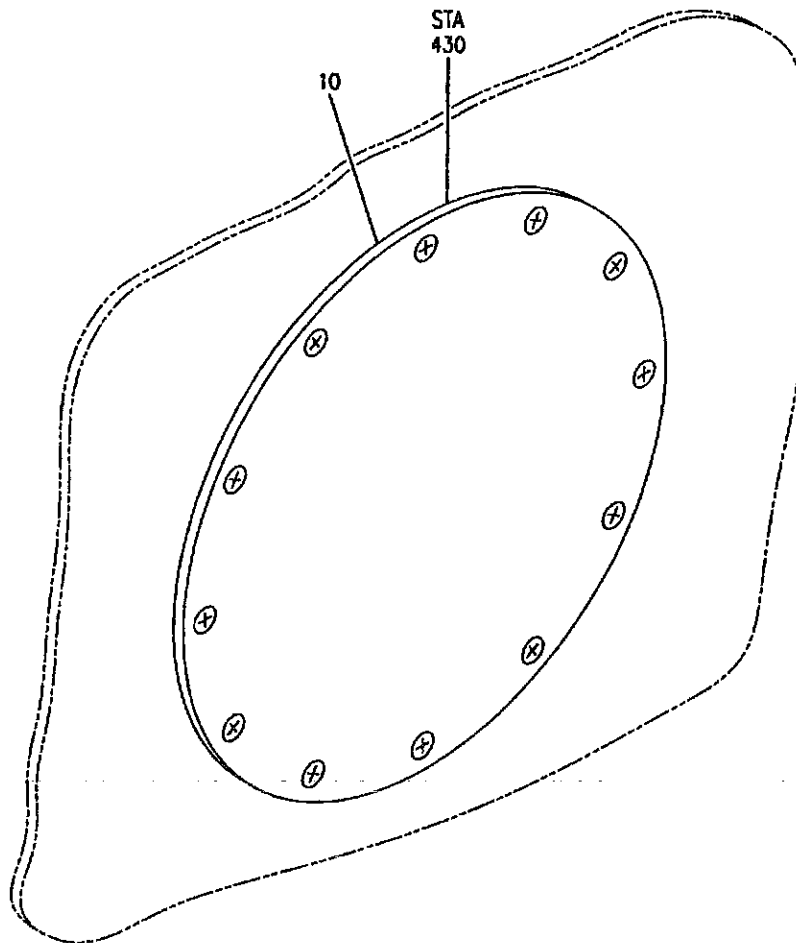
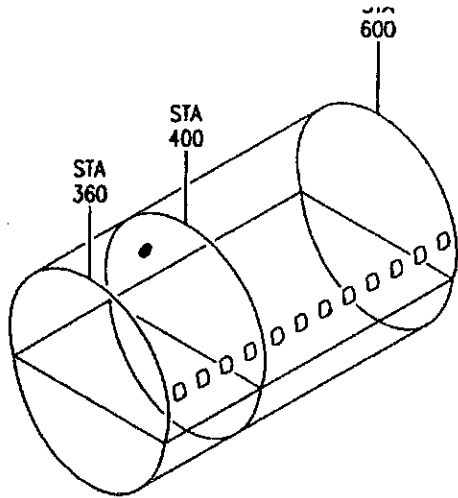
MISSING ITEM NUMBERS ARE NOT APPLICABLE

RAF
NOV 21/01

34-02-37A

DETAILED PARTS LIST
34-02-37A
PAGE 1

BOEING
707
PARTS CATALOG (MAINTENANCE)



A 3402039 REV 272

NAVIGATION - ANTENNA SYSTEMS
FIGURE 39. PLATE INSTL, COVER STA 430 LOWER

DETAILED PARTS LIST
34-02-39
PAGE 0

34-02-39

NOV 21/01

BOEING

707
PARTS CATALOG (MAINTENANCE)

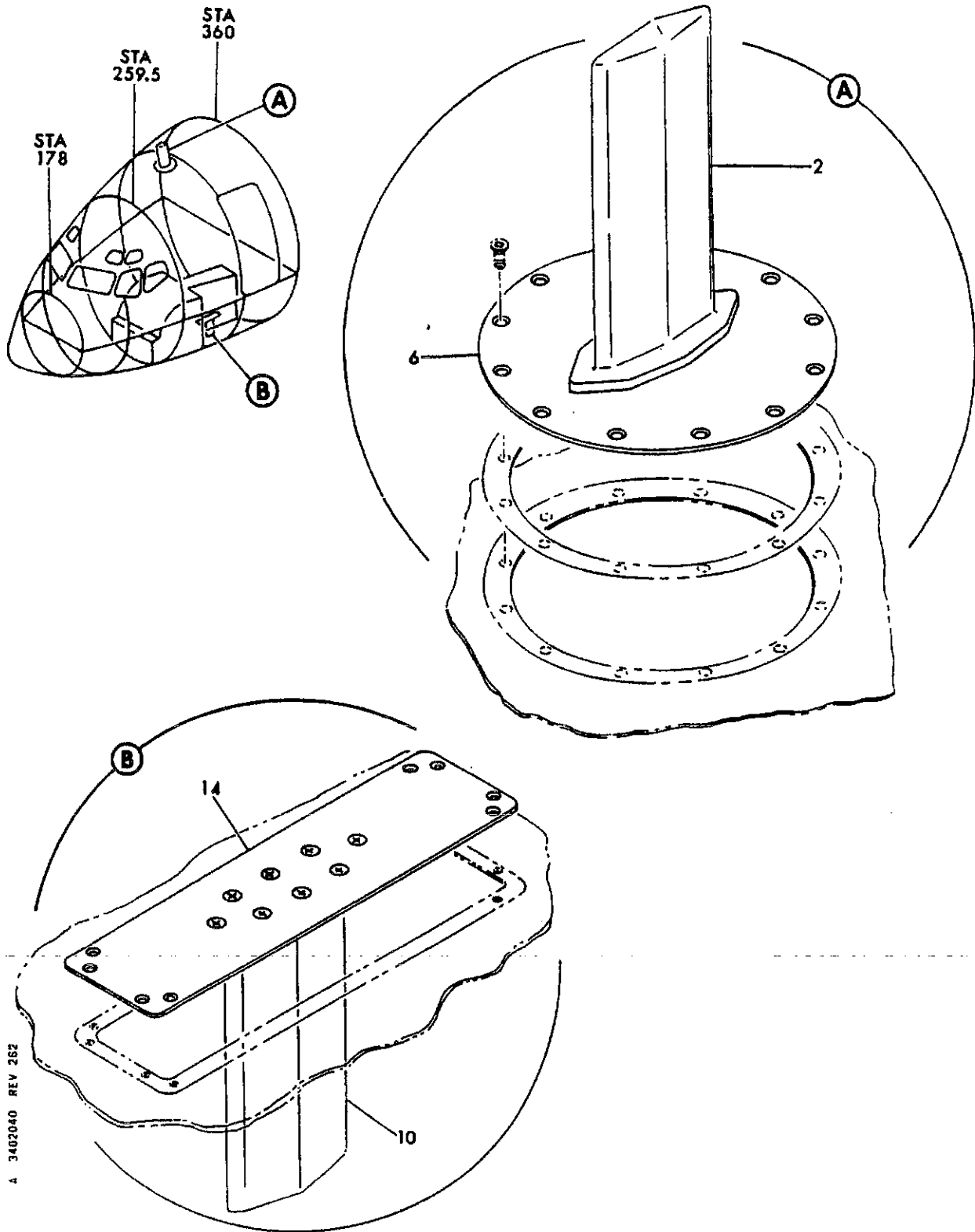
FIGURE & ITEM NO.	MANUFACTURER'S PART NUMBER	NOMENCLATURE							EFF FROM TO	UNITS PER ASSY
		1	2	3	4	5	6	7		
R R R R	39								0150	
		391-34-50-74891-001							0150	RF
	10	391-23-20-74313-101							0150	1
		MS24694S61							0150	12

MISSING ITEM NUMBERS ARE NOT APPLICABLE

RAF
NOV 21/01

34-02-39

DETAILED PARTS LIST
34-02-39
PAGE 1



4 3402040 REV 262

FIGURE 40. NAVIGATION ANTENNA SYSTEM (SHEET 1)



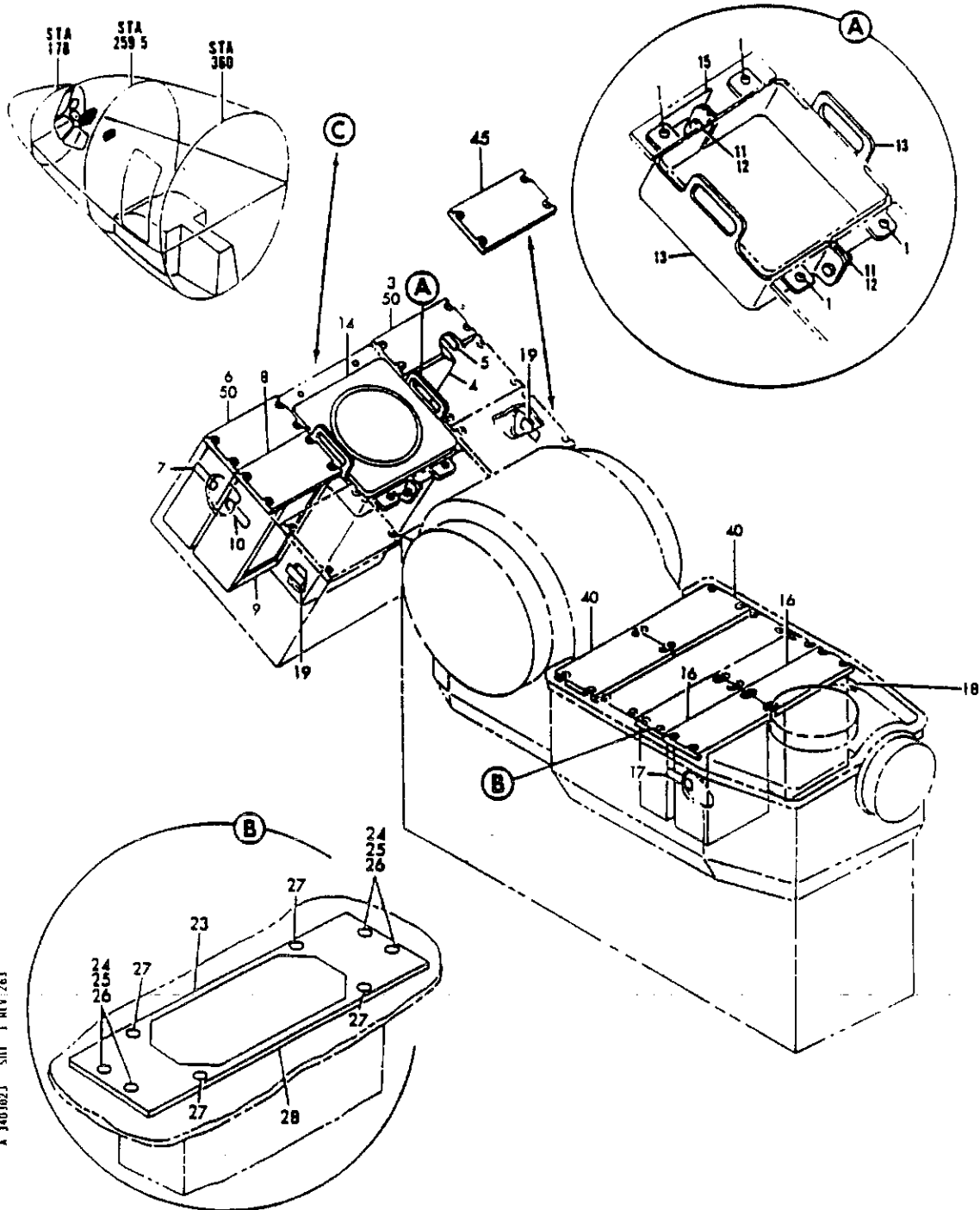
PARTS CATALOG

FIGURE & ITEM NO.	MANUFACTURER'S PART NUMBER	1 2 3 4 5 6 7	NOMENCLATURE	EFF	UNITS
				FROM TO	PER ASSY
R 40	QB33795		ANTENNA INSTL, UHF (VZ0268) (ADDED BY RAF MOD 7211.019-159)	0150	1
R 2	AT256		. ANTENNA, (VZ0268)	0150	1
R	NAS517-3-3		. ATTACHING PARTS		
			. SCREW	0150	8
			-----*		
R 6	QA33796		. ANTENNA INSTL, MOUNTING PROVS. (VZ0268)	0150	1
R QB33804			ANTENNA INSTL, UHF (VZ0268) (ADDED BY RAF MOD 7211.019-159)	0150	1
R 10	AT256		. ANTENNA, (VZ0268)	0150	1
R	NAS517-3-5		. ATTACHING PARTS		
			. SCREW	0150	8
			-----*		
R 14	QB33805		. ANTENNA INSTL, MOUNTING PROVS. (VZ0268)	0150	1

MISSING ITEM NUMBERS ARE NOT APPLICABLE

BOEING
Intercontinental
707 
PARTS CATALOG

SECTION 03
CONTROLS



A 3403023 SHEET 1 REV 263

FIGURE 23. PANEL INSTR, RADIO, RADAR AND AUTOPILOT CONTROL (NAVIGATION ONLY) (SHEET 1)

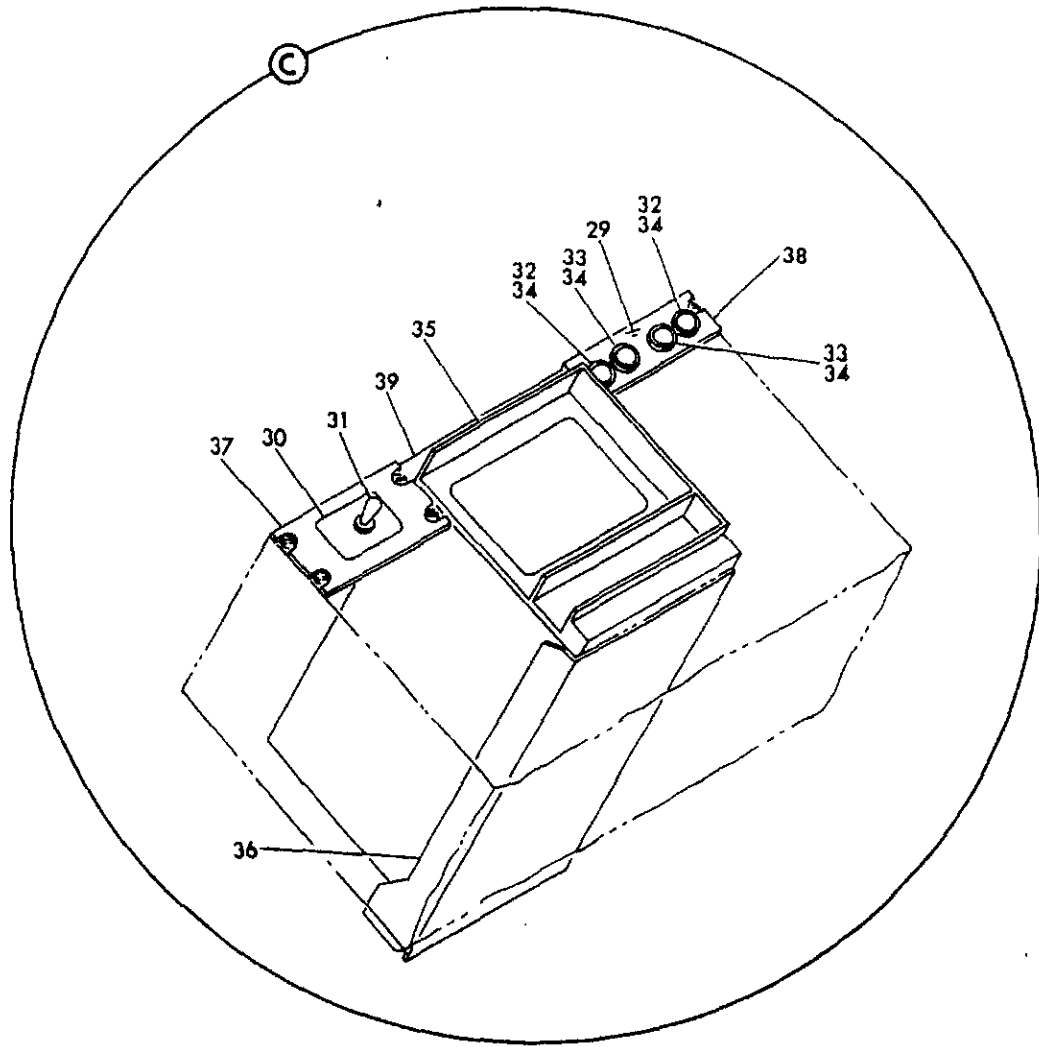


FIGURE 23. PANEL INSTL, RADIO, RADAR AND AUTOPILOT CONTROL (NAVAIGATION ONLY) (SHEET 2)

BOEING

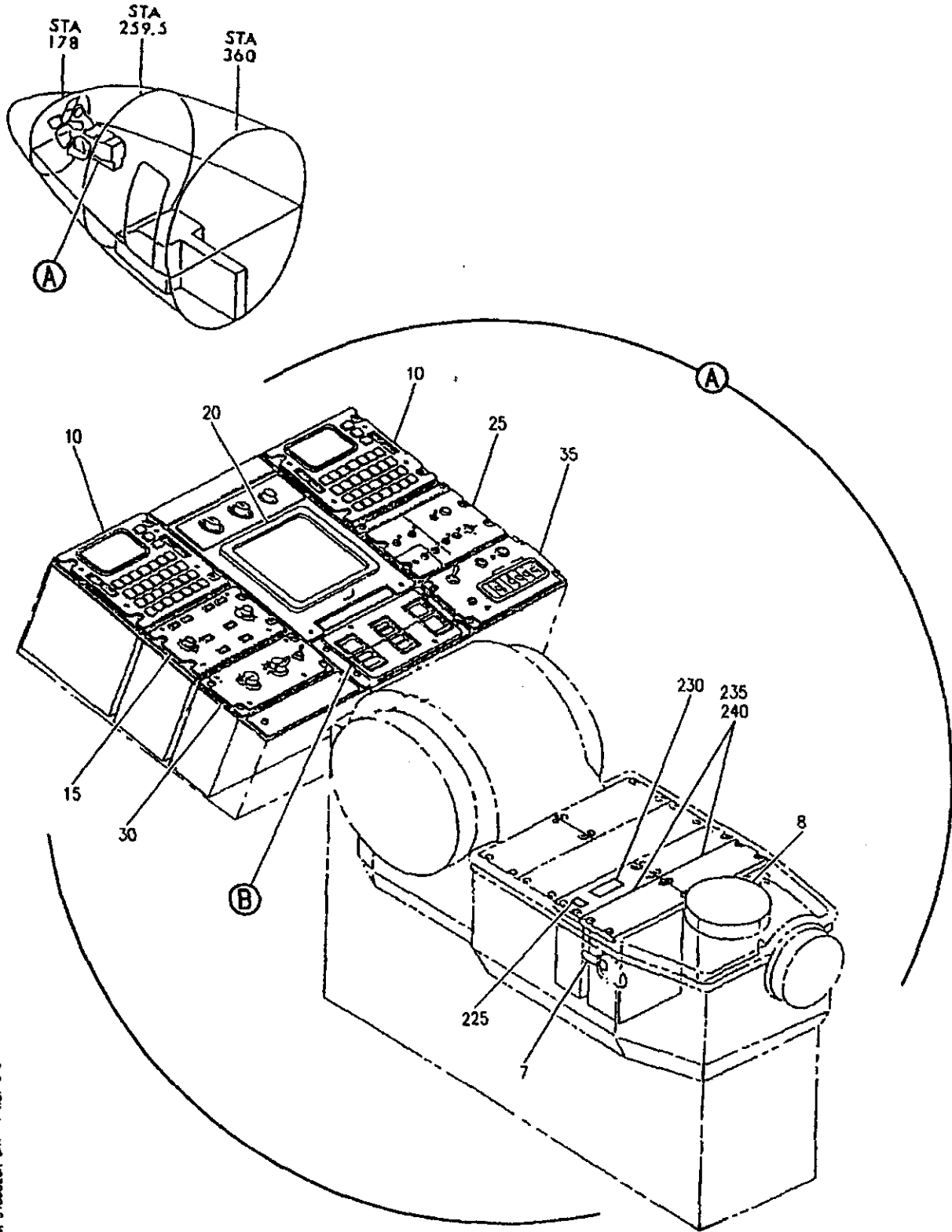
707

PARTS CATALOG (MAINTENANCE)

FIGURE & ITEM NO.	MANUFACTURER'S PART NUMBER	NOMENCLATURE	EFF FROM TO	UNITS PER ASSY
R R R R R R R R R R R R R R	23 65-17001-2	PANEL INSTL, RADIO, RADAR AND AUTOPILOT CONTROL (NAVIGATION ONLY) (DELETED BY MOD 7211.019-225) (SEE 25-1, FIG. 1K, ITEM 1)	0150	RF
	391-34-50-73967-001	PANEL INSTL, RADIO, RADAR AND AUTOPILOT CONTROL (NAVIGATION ONLY) (VS2500) (65-17001-2 MODIFIED BY MOD 7211.019-225) (DELETED BY RAF MOD 7211.019-4) (SEE 25-1, FIG. 1K ITEM 1)	0101 0450	RF
	391-34-50-73967-003	PANEL INSTL, RADIO, RADAR AND AUTOPILOT CONTROL (NAVIGATION ONLY) (VS2500) (65-17001-2 MODIFIED BY MOD 7211.019-225) (DELETED BY RAF MOD 7211.019-4) (SEE 25-1, FIG. 1K, ITEM)	0203	RF
	1 NAS603-8	. SCREW	0150	4
	3 G1587A	. CONTROL, ATC TRANSPONDER AND MARKER (V99837). (CUSTOMER FURNISHED) (DELETED BY RAF MOD 7211.019-227)	0150	1
	4 G550-25-604S	. BRACKET, MOUNTING (V99837) (CUSTOMER FURNISHED)	0150	1
	5 BACM10U20-1BZ	. MARKER-ALUMINUM FOIL, ATC TRANSISTOR CONTROL UNIT	0150	1
	6 522-3768-001	. CONTROL, FLIGHT DIRECTOR (614E7E) (V13499) (DELETED BY RAF MOD 7211.019-227)	0150	1
	7 65-405B3-9	. SCOTCH-CAL, FLIGHT DIRECTOR CONTROL	0150	1
	8 G650A	. PANEL, WEATHER RADAR CONTROL (V99837) (CUSTOMER FURNISHED) (DELETED BY RAF MOD 7211.019-119) (OPTIONAL G650A-1 (V99837))	0150	1
	8 G650A-1	. PANEL, WEATHER RADAR CONTROL (V99837) (CUSTOMER FURNISHED) (DELETED BY RAF MOD 7211.019-119) (OPTIONAL TO G650A (V99837))	0150	1
	9 G550-25-604S	. BRACKET, MOUNTING (V99837) (CUSTOMER FURNISHED)	0150	1
	10 BACM10C20-2ZP	. MARKER-ALUMINUM FOIL, WEATHER RADAR CONTROL UNIT	0150	1
	11 AN3-4A	. BOLT	0150	2
12 NAS679A3W	. NUT	0150	2	
13 69-1825-3	. STRAP ASSY, RADAR SCOPE SUPPORT	0150	2	
14 MI23613-8	. INDICATOR, WEATHER RADAR (V59495) (CUSTOMER FURNISHED) (DELETED BY RAF MOD 7211.019-119)	0150	1	
15 BACM10R20-13AS	. MARKER-ALUMINUM FOIL, WEATHER RADAR INDICATOR	0150	1	
16 2087780-7316	. PANEL, ADF CONTROL (V27914) (CUSTOMER FURNISHED). (DELETED BY RAF MOD 7211.019-184)	0150	2	
16 787-6366-009	. PANEL, ADF CONTROL (TYPE 614L12) (V13499) (ADDED BY RAF MOD 7211.019-184 AND RAF MOD 7211.019-159)	0150	2	
17 BACM10C10-2ZL	. MARKER-ALUMINUM FOIL, ADF-1	0150	1	
18 BACM10C10-2ZM	. MARKER-ALUMINUM FOIL, ADF-2	0150	1	
19 BAC27CEQ70	. MARKER-ALUMINUM FOIL, DOPPLER COMPUTER CONTROL UNIT	0150	2	
28 QA34848	. INDICATOR INSTL, WEATHER RADAR (VZ0268) (ADDED BY RAF MOD 7211.019-119)	0150	1	
29 QC34850 PLACARD, (VZ0268)	0150	1	
30 QC34850-2 PLACARD, (VZ0268)	0150	1	
31 MS24524-23 SWITCH	0150	1	
32 STBP130-4SHGP LAMP ASSY	0150	2	
33 STBP130-4SHRP LAMP ASSY	0150	2	
34 1864 LAMP, (VZ0268).	0150	4	
35 6225128-206 INDICATOR, (VZ0268)	0150	1	
36 QC34894-1 MOUNT, INDICATOR	0150	1	
NAS514P632-8 ATTACHING PARTS			
AN960-6 SCREW	0150	6	
BACN10JCO6 WASHER	0150	6	
 NUT	0150	6	
37 QC34848-4 PANEL, (VZ0268)	0150	1	
38 QC34850-1 PLATE, (VZ0268)	0150	1	
39 QC34848-3 PANEL, (VZ0268)	0150	1	
40 QE33819 PANEL, DME CONTROL (VZ0268) (CUSTOMER FURNISHED). (ADDED BY RAF MOD 7211.019-159)	0150	2	
45 VCNX PANEL, DME-A CONTROL (VZ0268) (ADDED BY RAF MOD 7211.019-159)	0150	1	
50 458900-06-01 CONTROL ASSY, INS DISPLAY UNIT (V30782) (CUSTOMER FURNISHED) (ADDED BY RAF MOD 7211.019-227)	0150	2	
 FOR REFERENCE TO OTHER PANEL DETAILS, SEE NHA	0150		

MISSING ITEM NUMBERS ARE NOT APPLICABLE

BOEING
707
PARTS CATALOG (MAINTENANCE)



A 3403023A SHF 1 REV 272

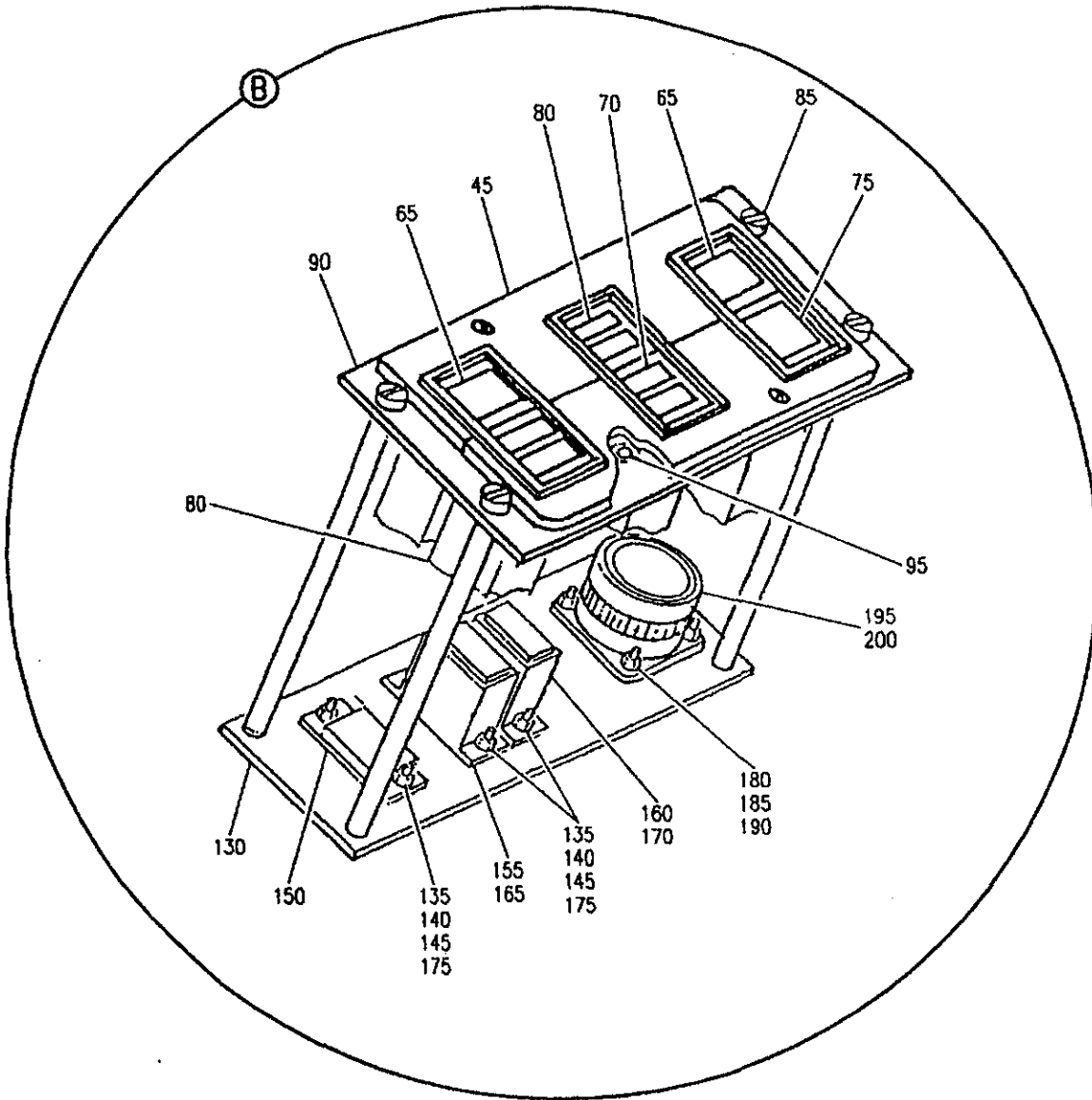
NAVIGATION CONTROLS
FIGURE 23A. PANEL INSTL. RADIO, RADAR AND AUTOPILOT CONTROL (NAVIGATION ONLY) (SHEET 1)

DETAILED PARTS LIST
34-03-23A
PAGE 0

34-03-23A

NOV 21/01

BOEING
707
PARTS CATALOG (MAINTENANCE)



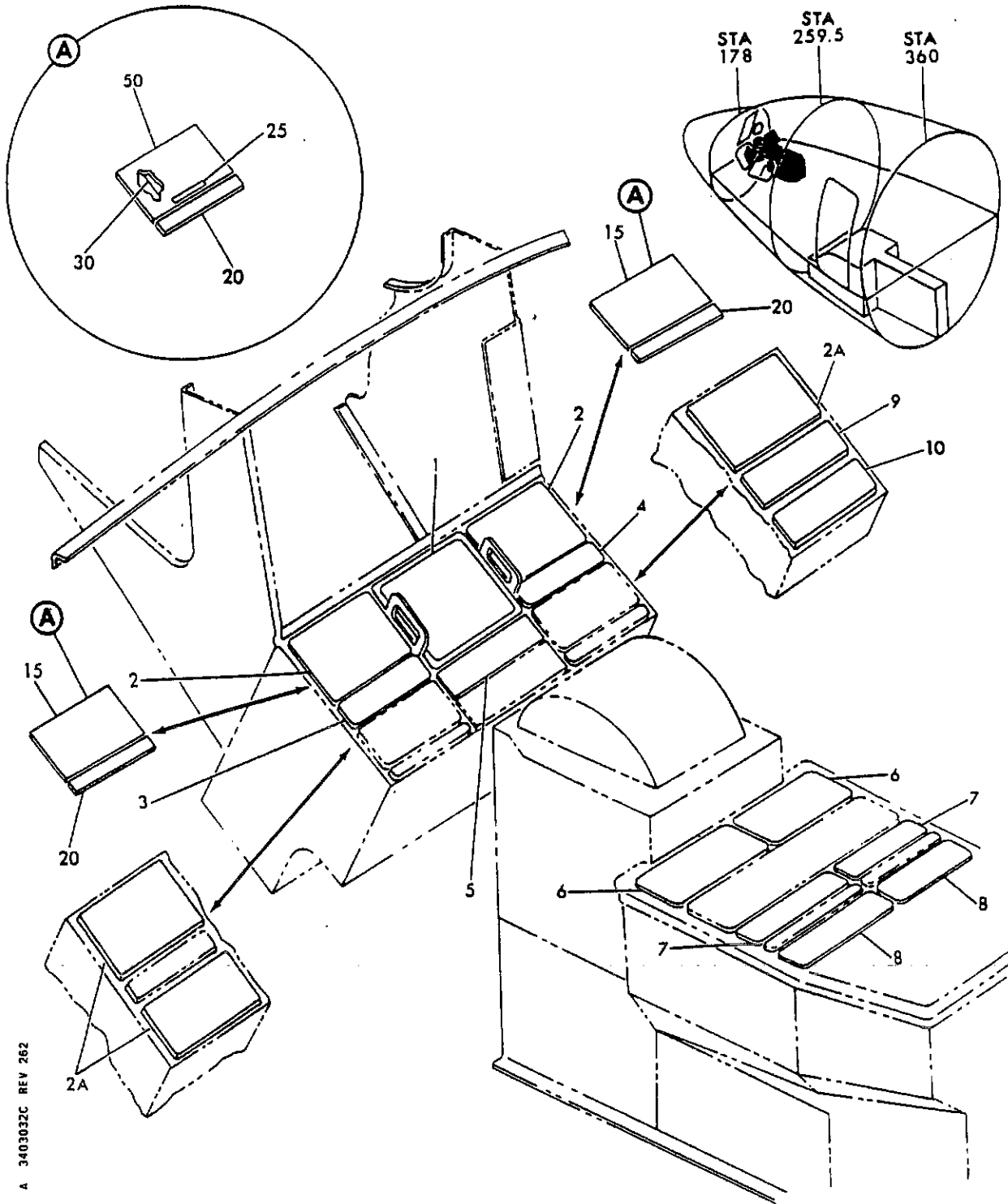
A 3403023A SHT 2 REV 272

NAVIGATION CONTROLS
FIGURE 23A. PANEL INSTL. RADIO, RADAR AND AUTOPILOT CONTROL (NAVIGATION ONLY) (SHEET 2)

NOV 21/01

34-03-23A

DETAILED PARTS LIST
34-03-23A
PAGE 1



A 3403032C REV 262

FIGURE 32C. PANEL INSTL. RADIO, RADAR AND AUTOPILOT CONTROL (NAVIGATION ONLY)

BOEING

707

PARTS CATALOG (MAINTENANCE)

FIGURE & ITEM NO.	MANUFACTURER'S PART NUMBER	NOMENCLATURE							EFF FROM TO	UNITS PER ASSY
		1	2	3	4	5	6	7		
32C	65-1157-25	PANEL INSTL, RADIO, RADAR AND AUTOPILOT CONTROL							5199	RF
		(NAVIGATION ONLY) (SEE 25-1, FIG. 2E, ITEM 1)								
1	2070943-0101	. SCOPE, WEATHER RADAR (V27914) (CUSTOMER FURNISHED) . . .							5199	1
2	663550-04-01	. CONTROL ASSY, INS DISPLAY UNIT (V30782)							5199	2
		(CUSTOMER FURNISHED) (DELETED BY RAF MOD 7211.019-215)								
2	458900-06-01	. CONTROL ASSY, INS DISPLAY UNIT (V30782)							5199	2
		(CUSTOMER FURNISHED) (ADDED BY RAF MOD 7211.019-215)								
3	G4104	. PANEL, WEATHER RADAR CONTROL (V99837) (CUSTOMER . . .							5151	1
		FURNISHED)								
3	G4104A	. PANEL, WEATHER RADAR CONTROL (V99837) (CUSTOMER . . .							5299	1
		FURNISHED)								
4	G4101	. PANEL, ATC CONTROL (V99837) (CUSTOMER FURNISHED) . . .							5199	1
5	522-3918-003	. ANNUNCIATOR, WARNING (V13499) (CUSTOMER FURNISHED) . . .							5151	1
5	522-3918-012	. ANNUNCIATOR, WARNING (V13499) (CUSTOMER FURNISHED) . . .							5299	1
6	G4100	. PANEL, VOR/DME/COMM CONTROL (V99837) (CUSTOMER . . .							5199	2
		FURNISHED)								
7	792-6221-006	. PANEL, HDG/CRS CONTROL (V13499)							5199	2
8	777-1493-004	. PANEL, ADF CONTROL (V13499) (CUSTOMER FURNISHED) . . .							5199	2
15	6250051	. ANNUNCIATOR, (VZ0268) (ADDED BY RAF MOD 7211.019-215)							5199	2
20	QD44235	. PANEL ASSY, (VZ0268) (ADDED BY RAF MOD 7211.019-215)							5199	2
25	QD44235-1	. LABEL, INS DME UPDATE (VZ0268)							5199	2
30	MS27212-1-4	. TERMINAL STRIP							5199	2
		ATTACHING PARTS								
	NAS514P440-10P	. . SCREW							5199	4
	AN960D4	. . WASHER							5199	4
	BACN10JCO4	. . NUT							5199	4
		-----*								
50	QD44235-2	. . PANEL, (VZ0268)							5199	2
		ATTACHING PARTS								
	BACS21DD1G	. . STUD							5199	4
		-----*								

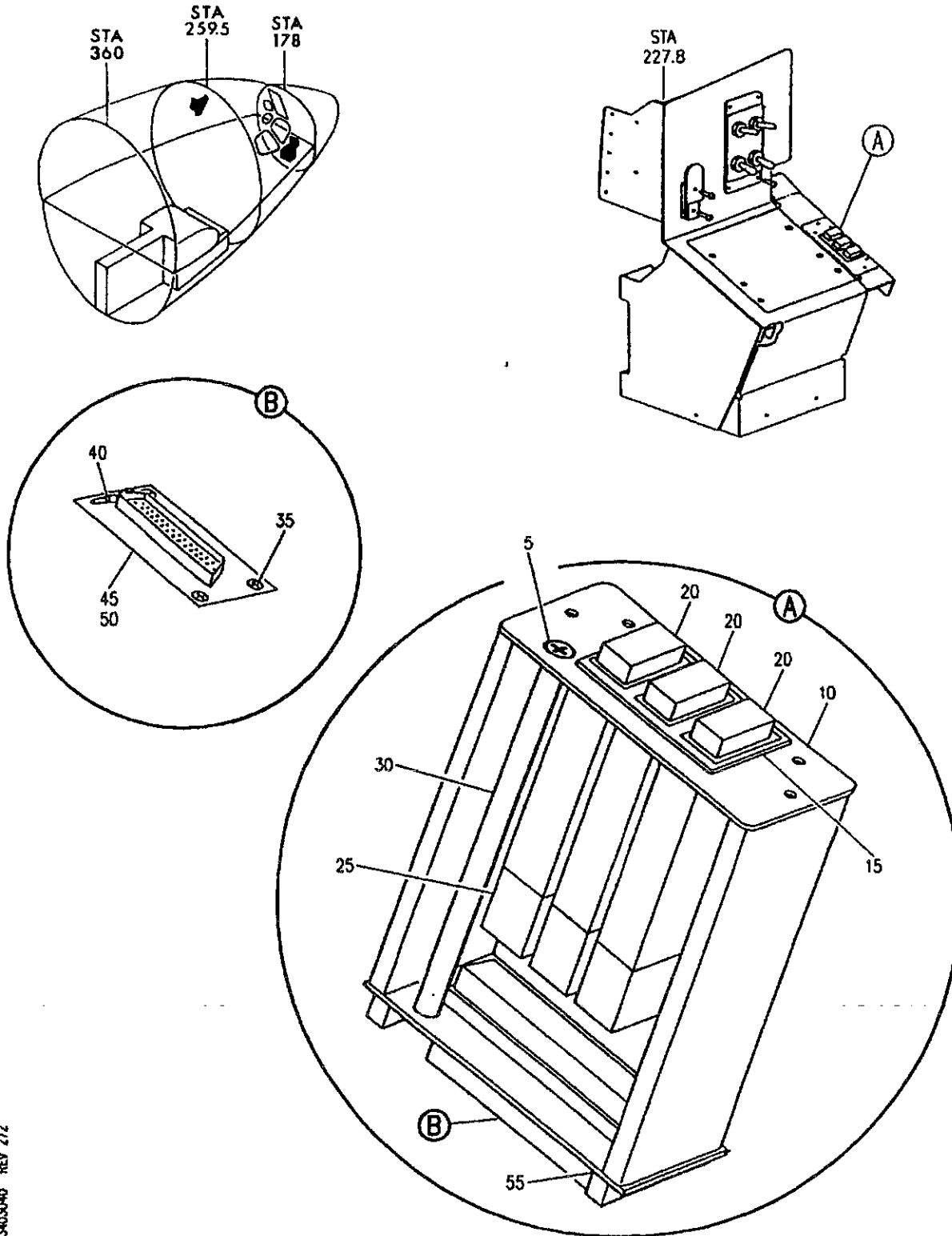
MISSING ITEM NUMBERS ARE NOT APPLICABLE

RAF
NOV 21/01

34-03-32C

DETAILED PARTS LIST
34-03-32C
PAGE 1

BOEING
707
PARTS CATALOG (MAINTENANCE)



A 3403040 REV 272

NAVIGATION CONTROLS
FIGURE 40. PANEL INSTL, PILOTS AND CO-PILOT AUXILIARY EQUIPMENT (NAVIGATION ONLY)

DETAILED PARTS LIST
34-03-40
PAGE 0

34-03-40

NOV 21/01

BOEING

707
PARTS CATALOG (MAINTENANCE)

FIGURE & ITEM NO.	MANUFACTURER'S PART NUMBER	NOMENCLATURE	EFF FROM TO	UNITS PER ASSY	
					1 2 3 4 5 6 7
R R R R R R R R R R R R R R R	40	PANEL INSTL, PILOTS AND CO-PILOT AUXILLIARY EQUIPMENT (NAVIGATION ONLY)	0150		
		391-34-50-73917-001	PANEL INSTL, PILOTS AUXILLIARY EQUIPMENT (NAVIGATION ONLY) (VZ0031) (65-63209-1 MODIFIED BY RAF MOD 7211.019-225) (ADDED BY RAF MOD 7211.019-4) (SEE 25-5, FIG. 14B)	0150	RF
		391-34-50-73971-002	PANEL INSTL, CO-PILOTS AUXILIARY EQUIPMENT (NAVIGATION ONLY) (VZ0031) (65-63209-2 MODIFIED BY RAF MOD 7211.019-225) (ADDED BY RAF MOD 7211.019-4) (SEE 25-5, FIG. 14E)	0150	RF
	5	MS24693S2	. SCREW	0150	1
	10	391-34-50-73995-001	. PANEL, EXTENSION AUDIO SELECT (VZ0031)	0150	1
	15	391-34-50-73995-101	. . PANEL SWITCH ALCLAD 2024 T3 (VZ0031)	0150	1
	20	90KA1C5D3F14G2JZGG	. . SWITCH, (L2N1R16HF/UHF2, L2N1R16DME2/TAC2 AND L2N1R16DME1TAC1) (VIBE2B)	0150	3
	25	90K600	. . CONNECTOR, (VIBE2B)	0150	3
	30	AMATOM8185A0440HL10	. . STANDOFF, (V9W423)	0150	1
	35	MS35206-213	. . SCREW	0150	3
	40	CANNOND20418-2	. . SCREW, LOCK (M2430826-1) (VS2500)	0150	1
	45	391-34-50-73995-103	. . PANEL, CONNECTOR ALCLAD 2024T3 2024T30(VZ20031)	0150	1
	50	CANNONDCMA37P	. . CONNECTOR, (MS24308) (VS2500)	0150	1
	55	MS25036-144	. . TERMINAL LUG	0150	1

MISSING ITEM NUMBERS ARE NOT APPLICABLE

BOEING *707*
Intercontinental 
PARTS CATALOG

SECTION 04
GYRO EQUIPMENT

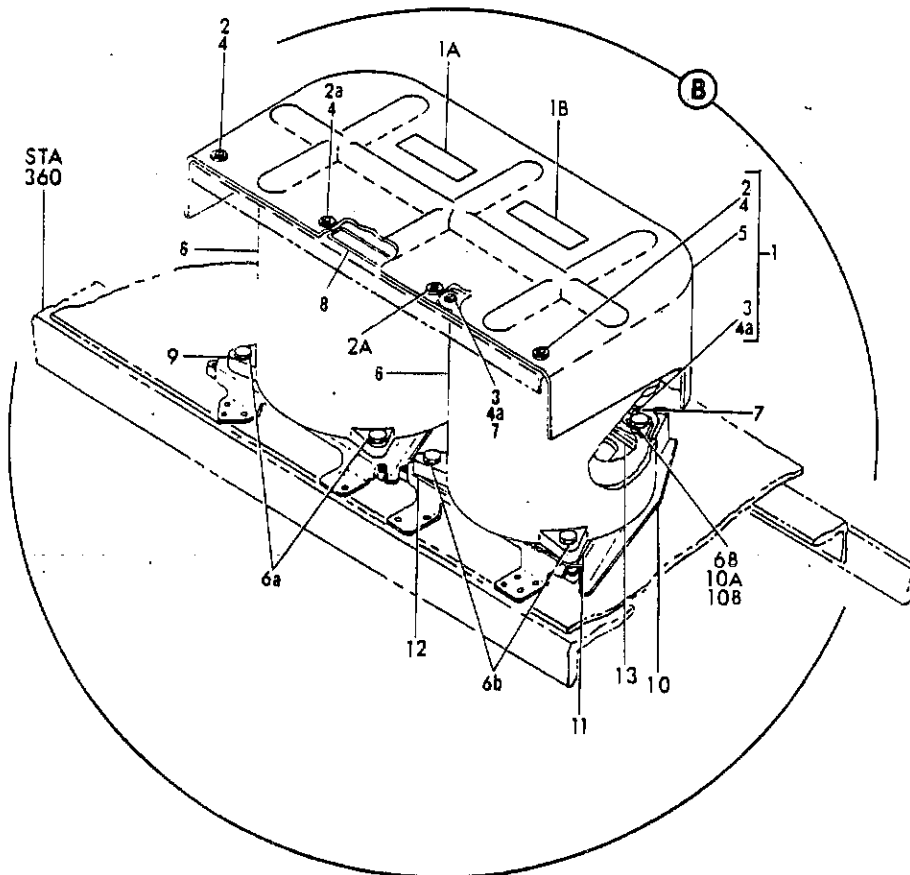
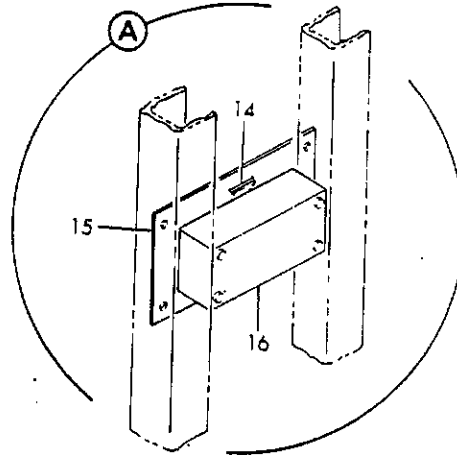
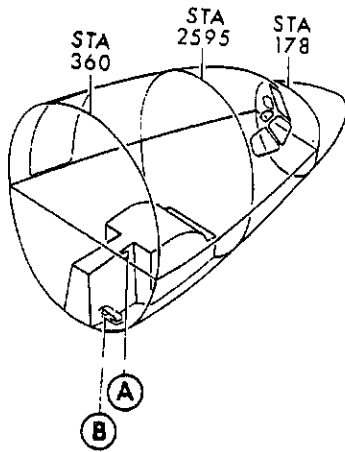


FIGURE 1. GYRO INSTL, VERTICAL (NAVIGATION ONLY)
 BRACKET INSTL, VERTICAL GYRO SUPPORT
 SPACER INSTL, BRACKET SUPPORT
 ADAPTER INSTL, PHASE

PARTS CATALOG

FIGURE & ITEM NO.	MANUFACTURER'S PART NUMBER	NOMENCLATURE	EFF	UNITS
			FROM TO	PER ASSY
R R	1	GYRO INSTL, VERTICAL.	0150	
		BRACKET INSTL, VERTICAL GYRO SUPPORT.	0150	RF
		. GYRO INSTL, VERTICAL (SEE 24-3, FIG. 5, ITEM 40, 24-3, FIG. 5A, ITEM 40, 24-3, FIG. 5B, ITEM 40, 24-3, FIG. 5C, ITEM 67, 24-3, FIG. 5D, ITEM 59, 24-3, FIG. 5E, ITEM 35 AND 24-3, FIG. 5F, ITEM 35)	0150	
	1	65-3731-5 . . COVER ASSY, VERTICAL GYRO	0150	1
	2	BACS21Y5W . . . STUD ASSY (OPTIONAL BACS21Y5R)	0150	2
	2	BACS21Y5R . . . STUD ASSY (OPTIONAL TO BACS21Y5W)	0150	2
	2A	BACS21Y5W . . . STUD ASSY (OPTIONAL BACS21Y5R)	0150	2
	2A	BACS21Y5R . . . STUD ASSY (OPTIONAL TO BACS21Y5W)	0150	2
	3	BACS21Y3R . . . STUD ASSY (OPTIONAL BACS21Y3W)	0150	2
	3	BACS21Y3W . . . STUD ASSY (OPTIONAL TO BACS21Y3R)	0150	2
	4	BACW10X4 . . . WASHER.	0150	4
	4A	BACW10X4 . . . WASHER.	0150	2
	5	65-3731-6 . . COVER	0150	1
	6	19911-1C . . . GYRO, (V55972). (OPTIONALS 19911-1B, -2B, -2C (V55972))	0150	2
	6	19911-2C . . . GYRO, (V55972). (OPTIONALS 19911-1B, -2B, -1C (V55972))	0150	2
	6	19911-1B . . . GYRO, (V55972). (OPTIONALS 19911-2B, -1C, -2C (V55972))	0150	2
	6	19911-2B . . . GYRO, (V55972). (OPTIONALS 19911-1B, -1C, -2C (V55972))	0150	2
		ATTACHING PARTS		
	6A	NAS1305-5 . . BOLT.	0150	3
	6B	NAS1305-5 . . BOLT.	0150	3

	7	BACR11Y1 . . . RECEPTACLE.	0150	2
	8	BACM10G40-688 . . DECAL, GYRO	0150	1
		. BRACKET INSTL, VERTICAL GYRO SUPPORT (SEE 24-3, FIG. 5, ITEM 40B, 24-3, FIG. 5A, ITEM 40C, 24-3, FIG. 5B, ITEM 40C, 24-3, FIG. 5C, ITEM 67A, 24-3, FIG. 5D, ITEM 59A, 24-3, FIG. 5E, ITEM 36 AND 24-3, FIG. 5F, ITEM 37)		RF
	9	69-3181 . . BRACKET ASSY, INBOARD		1
10	69-3175 . . BRACKET ASSY, OUTBOARD.		1	
10A	BACW10P144AL . . WASHER.		AR	
10B	BACW10P190A . . WASHER.		AR	

MISSING ITEM NUMBERS ARE NOT APPLICABLE

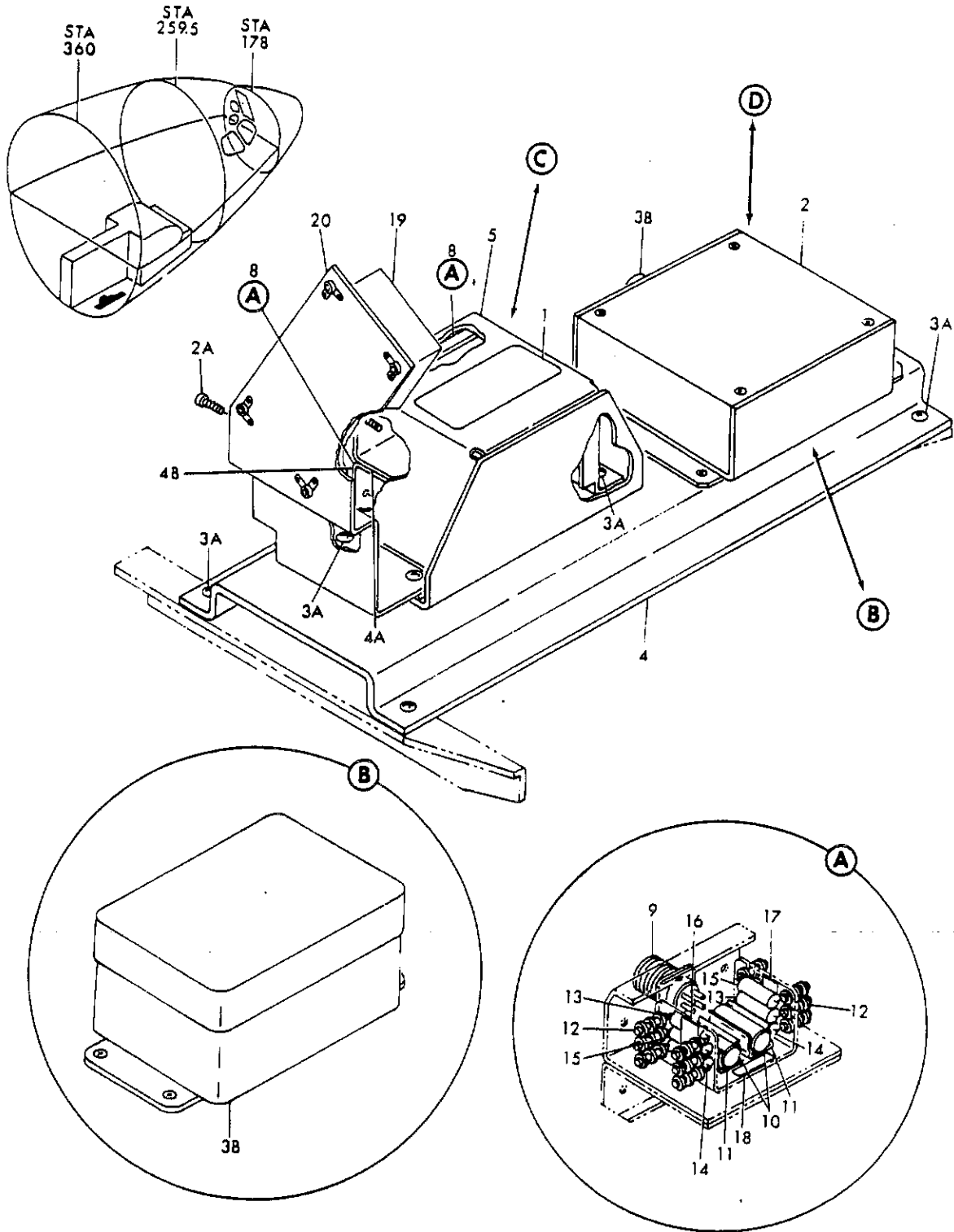


FIGURE 3. UNIT INSTL, VERTICAL GYRO SIGNAL PHASING (SHEET 1)

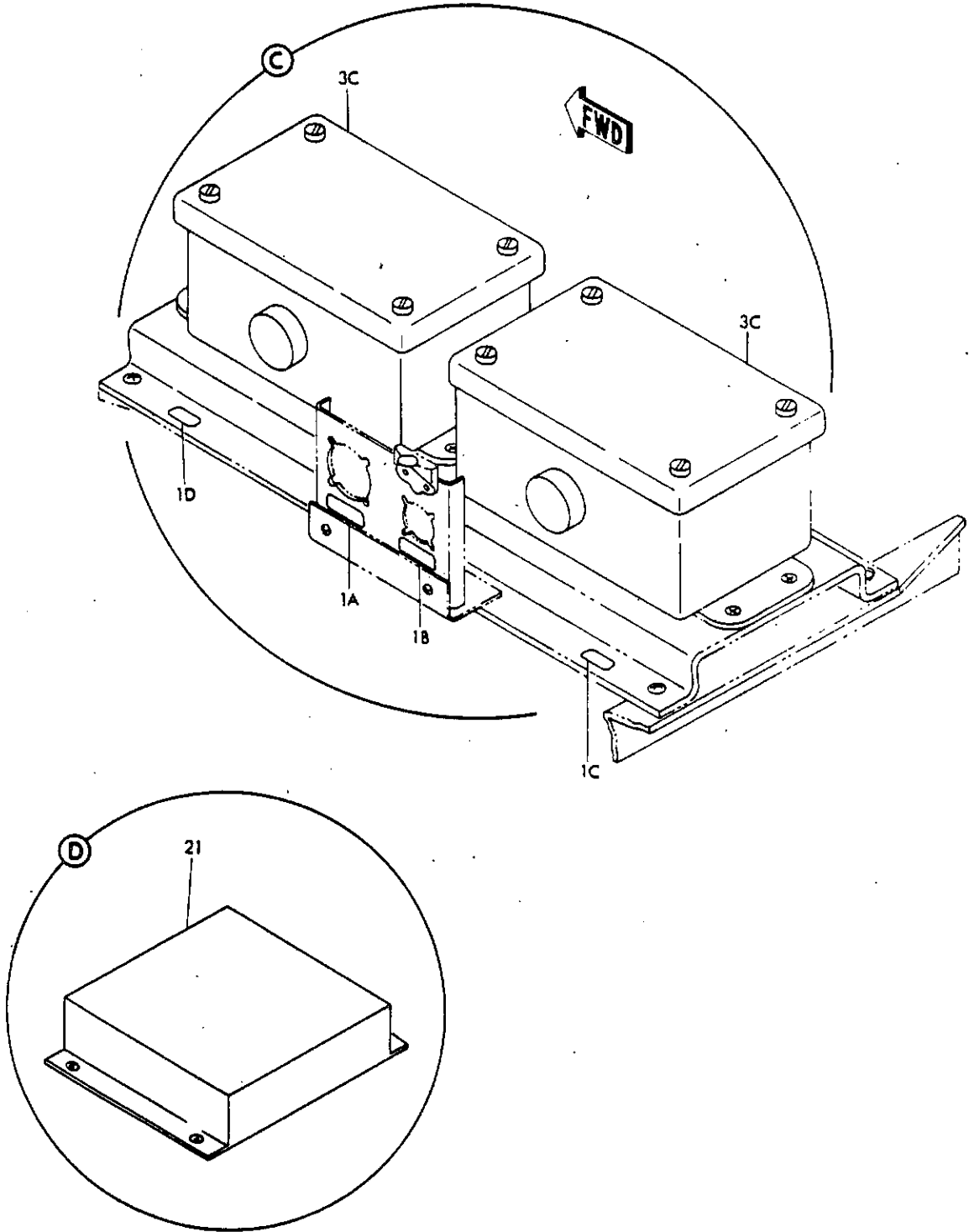


FIGURE 3. UNIT INSTL, VERTICAL GYRO SIGNAL PHASING (SHEET 2)



PARTS CATALOG

FIGURE & ITEM NO.	MANUFACTURER'S PART NUMBER	1 2 3 4 5 6 7	NOMENCLATURE	EFF FROM TO	UNITS PER ASSY
3	65-15399-2		UNIT INSTL, VERTICAL GYRO SIGNAL PHASING (SEE 24-3, . . . FIG. 5, ITEM 40A, 24-3, FIG. 5A, ITEM 40A, 24-3, FIG. 5B, ITEM 40A, 24-3, FIG. 5C, ITEM 68, 24-3, FIG. 5D, ITEM 60A AND 24-3, FIG. 5F, ITEM 36)	5199	RF
1	BACM9G31-2N		. SCOTCH-CAL, VERTICAL GYRO SIGNAL PHASING UNIT NO. 1 . RM994 UPPER NO. 2 RM995 LOWER	5199	1
2A	NAS603-5P		. SCREW	5199	4
3A	NAS603-6P		. SCREW	5199	8
4	69-11930-4		. CHANNEL ASSY, RATE SWITCHES SUPPORT	5199	1
4A	2592676-901		. UNIT, PHASING (V58960)	5199	1
4B	2592676-901		. UNIT, PHASING (V58960)	5199	1
5	65-15399-5		. BDX ASSY.	5199	1

MISSING ITEM NUMBERS ARE NOT APPLICABLE

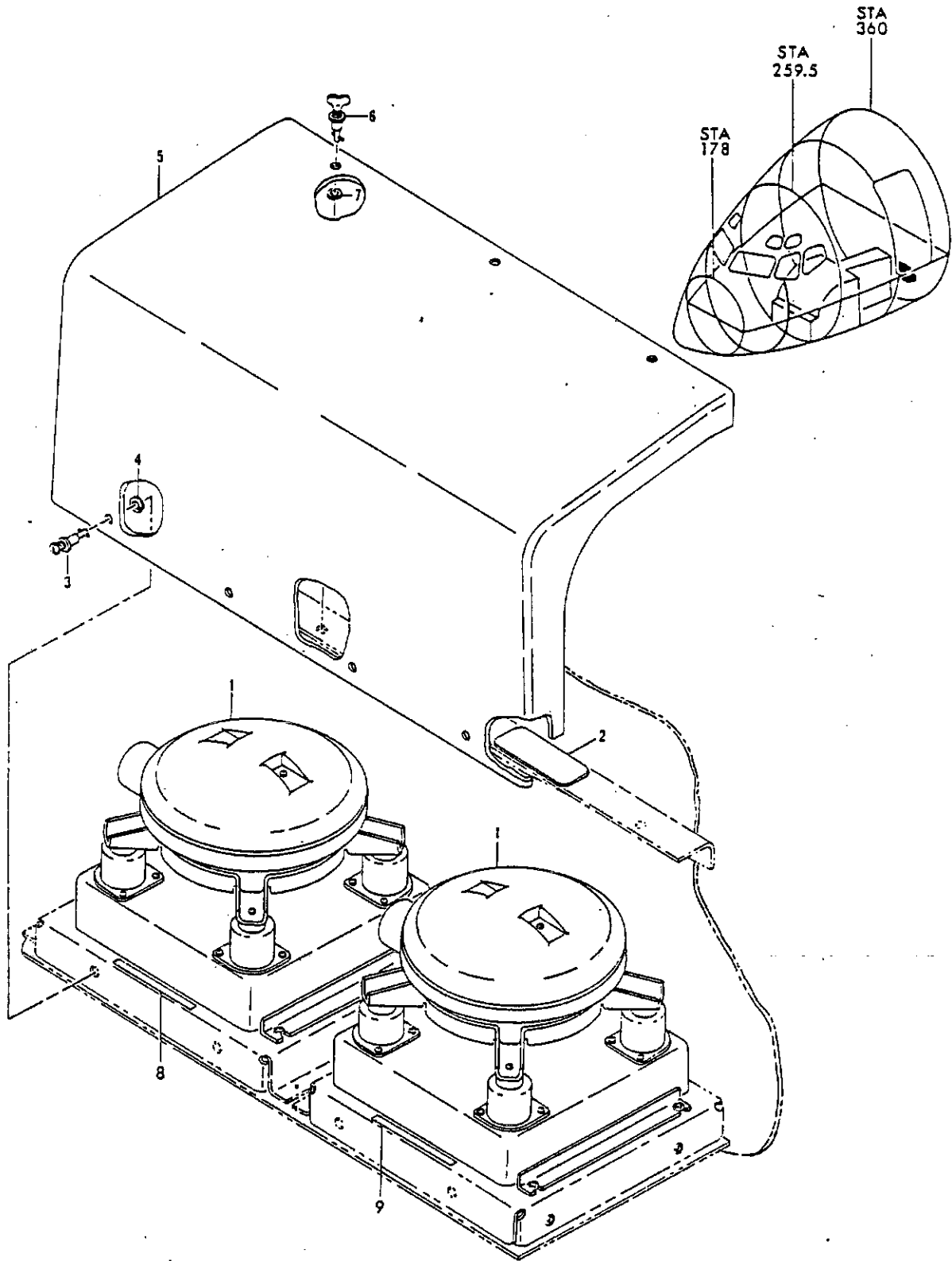


FIGURE 4. GYRO INSTL, DIRECTIGNAL



PARTS CATALOG

FIGURE & ITEM NO.	MANUFACTURER'S PART NUMBER	NOMENCLATURE							EFF FROM TO	UNITS PER ASSY	
		1	2	3	4	5	6	7			
R R R R R R R	4	65-6520	GYRO INSTL, DIRECTIONAL (SEE 24-3, FIG. 5, ITEM 39, . . . 24-3, FIG. 5A, ITEM 39, 24-3, FIG. 5B, ITEM 39, 24-3, FIG. 5C, ITEM 65, 24-3, FIG. 5D, ITEM 57, 24-3, FIG. 5E, ITEM 34 AND 24-3, FIG. 5F, ITEM 34)							5199	RF
	1	2588302-1	. GYRO, DIRECTIONAL (V58960)							5199	2
		NAS603-6	. ATTACHING PARTS . SCREW							5199	8
	2	BACM10G31-6BS	. MARKER-ALUMINUM FOIL, DIRECTIONAL GYRO NO. 2 AND NO. 1)							5199	1
	3	BACS21Y5	. STUD ASSY							5199	4
	4	BACW10X4	. WASHER							5199	4
	5	65-6472-2	. COVER ASSY, DIRECTIONAL GYRO							5199	1
6	BACS21Y13W	. . STUD ASSY							5199	3	
7	BACW10X4	. . WASHER							5199	3	

MISSING ITEM NUMBERS ARE NOT APPLICABLE

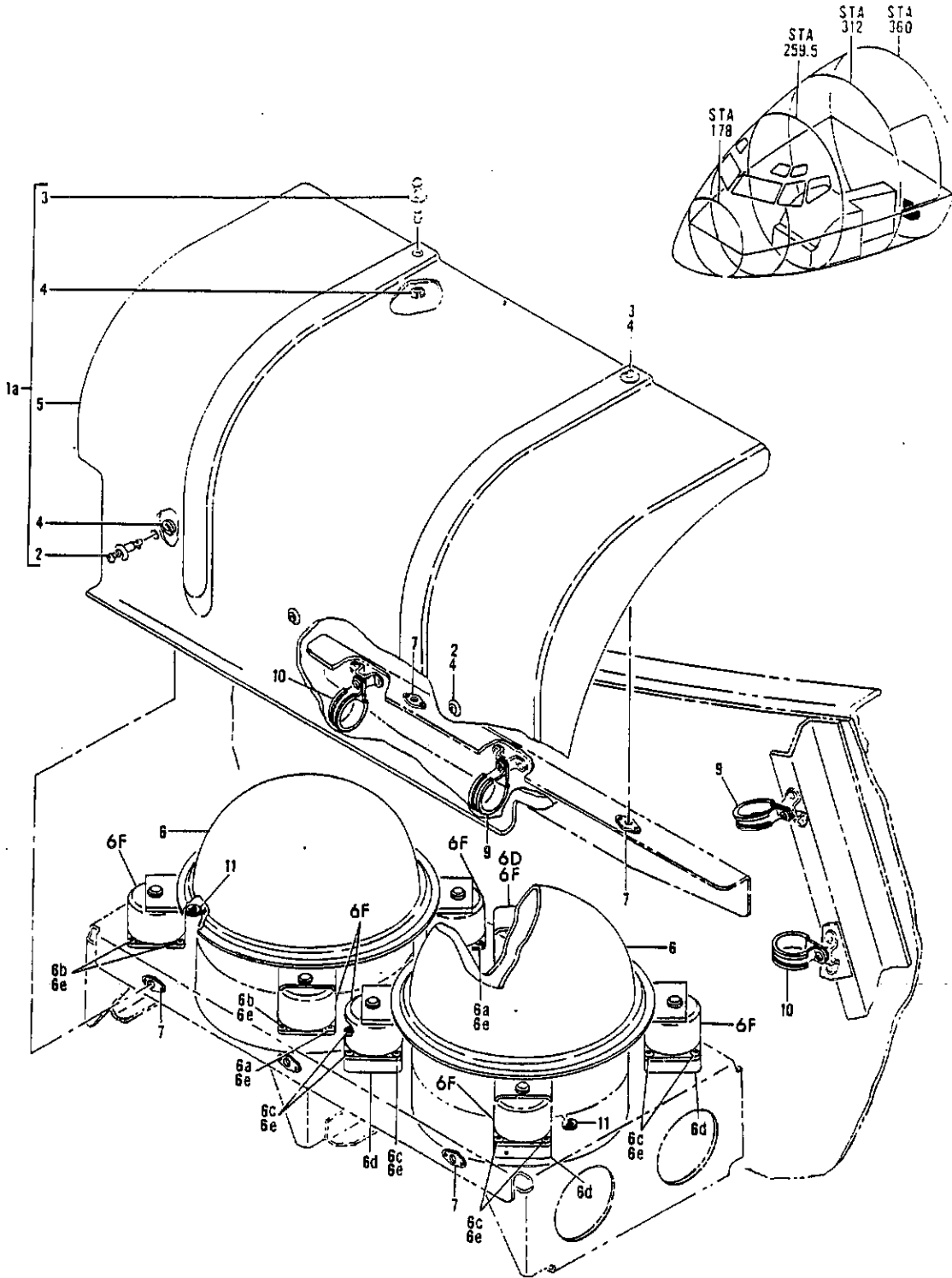


FIGURE 5. GYRO INSTL. DIRECTIONAL (NAVIGATION ONLY)



PARTS CATALOG

FIGURE & ITEM NO.	MANUFACTURER'S PART NUMBER	1 2 3 4 5 6 7	NOMENCLATURE	EFF	UNITS
				FROM TO	PER ASSY
R R R R R R R R R R R	5	65-5391	GYRO INSTL, DIRECTIONAL (NAVIGATION ONLY) (SEE 24-3, . . . FIG. 5, ITEM 39, 24-3, FIG. 5A, ITEM 39, 24-3, FIG. 5B, ITEM 39, 24-3, FIG. 5C, ITEM 65, 24-3, FIG. 5D, ITEM 57, 24-3, FIG. 5E, ITEM 34 AND 24-3, FIG. 5F, ITEM 34)	0150	RF
	1A	65-5772	. COVER ASSY, DIRECTIONAL GYRO.	0150	1
	2	BACS21Y4	. . . STUD ASSY	0150	3
	3	BACS21Y11	. . . STUD ASSY	0150	2
	4	BACW10X2	. . . WASHER.	0150	5
	5	65-5772-1	. . . COVER, DIRECTIONAL GYRO	0150	1
	6	10-3303-15	. GYRO, DIRECTIONAL	0150	2
			ATTACHING PARTS		
	6A	BACS12CB08-7	. SCREW	0150	2
	6B	BACS12CB08-6	. SCREW	0150	14
	6C	BACS12CB08-13	. SCREW	0150	16
6D	63-9707-1	. SPACER, DIRECTIONAL GYRO SHOCKMOUNT	0150	4	
6E	NAS679A08W	. NUT	0150	32	
		-----*			
7	BACR11Y3A	. RECEPTACLE.	0150	5	
9	65-5391-1	. SUPPORT INSTL, DIRECTIONAL GYRO	0150	1	
	TA5002BH17	. . . CLAMP, (V84971)	0150	2	
	65-5637-10	. . . BRACKET ASSY, DIRECTIONAL GYRO SUPPORT.	0150	1	
11	MS35489-1S	. . . GROMMET	0150	2	
		. FOR REFERENCE TO OTHER GYRO DETAILS, SEE NHA.	0150		

MISSING ITEM NUMBERS ARE NOT APPLICABLE

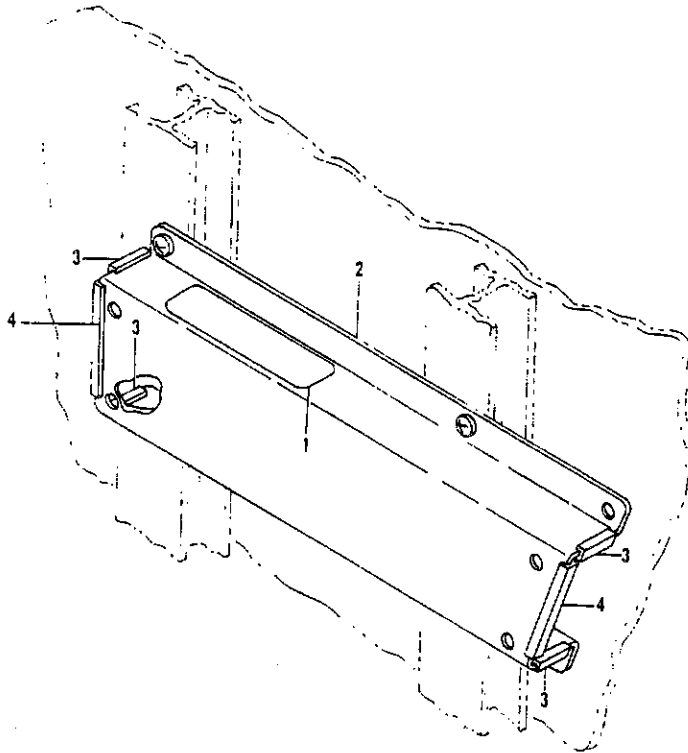
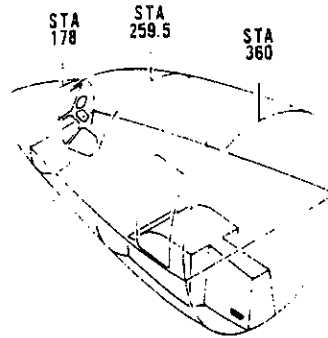


FIGURE 7. GUARD INSTL, DIRECTIONAL GYRO WIRE



PARTS CATALOG

FIGURE & ITEM NO.		MANUFACTURER'S PART NUMBER	1 2 3 4 5 6 7	NOMENCLATURE	EFF FROM TO	UNITS PER ASSY
R R R R R R R	7	69-21201-2		GUARD INSTL, DIRECTIONAL GYRO WIRE (SEE 24-3, FIG. 5, . ITEM 122, 24-3, FIG. 5A, ITEM 176, 24-3, FIG. 5B, ITEM 171, 24-3, FIG. 5C, ITEM 188, 24-3, FIG. 5D, ITEM 167, 24-3, FIG. 5E, ITEM 130 AND 24-3, FIG. 5F, ITEM 111)	0150	RF
	1	BACM10S41-5E		. MARKER-ALUMINUM FOIL, NO STEP	0150	1
	2	69-21202-3		. GUARD ASSY, DIRECTIONAL GYRO WIRE	0150	1
		BACS12CB08-10		ATTACHING PARTS . SCREW	0150	4
				-----*-----		
	3	BACG20ZA110		. GROMMET	0150	4
	4	BACG20ZA250		. GROMMET	0150	2

MISSING ITEM NUMBERS ARE NOT APPLICABLE

BOEING *707* *Intercontinental* 
PARTS CATALOG

SECTION 05

COMPASS

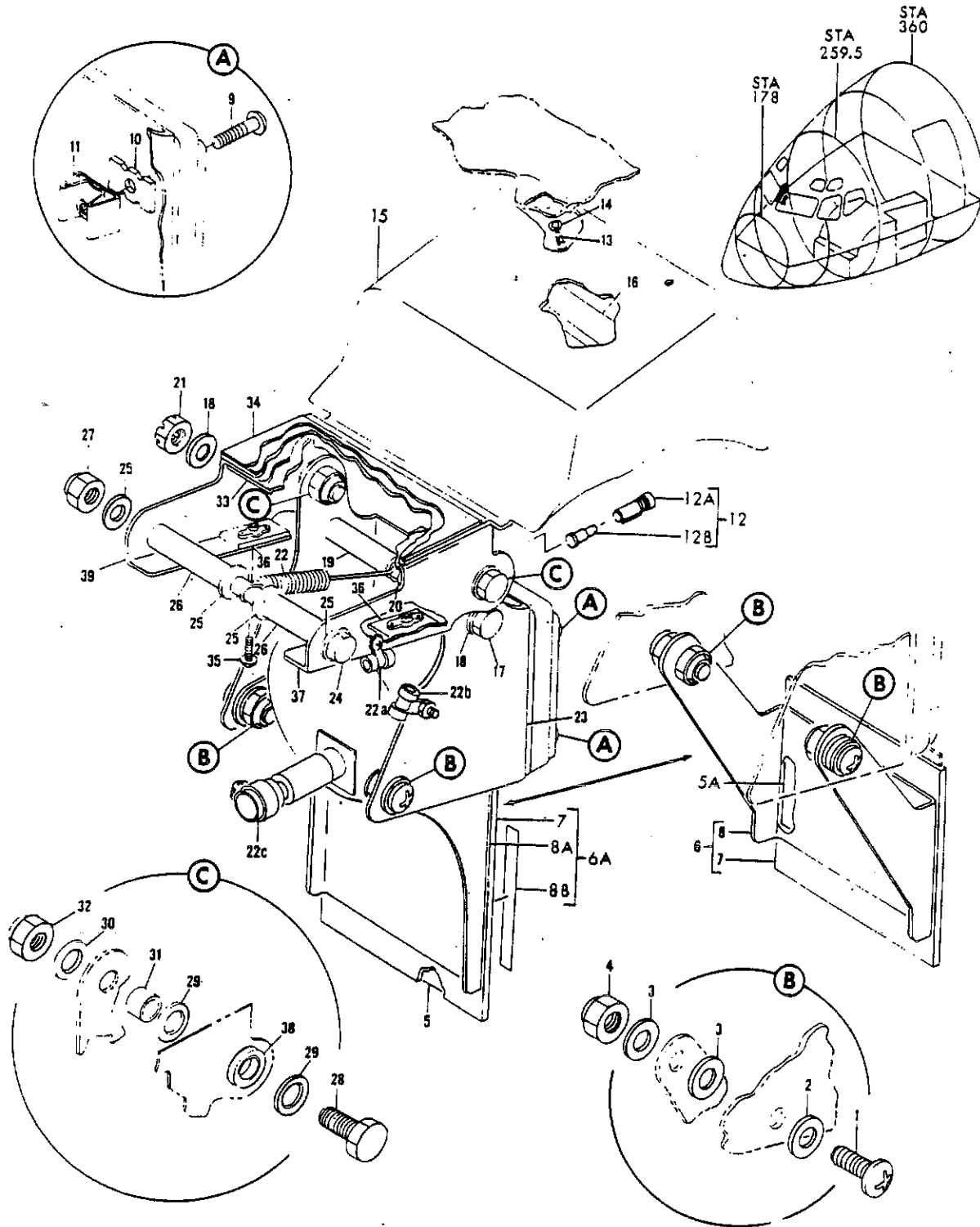


FIGURE 1. COMPASS INSTL, PILOTS STANDBY



PARTS CATALOG

FIGURE & ITEM NO.	MANUFACTURER'S PART NUMBER	NOMENCLATURE							EFF FROM TO	UNITS PER ASSY
		1	2	3	4	5	6	7		
1	65-3349-17	COMPASS INSTL, PILOTS STANDBY (SEE 25-1, FIG. 1B, ITEM 10B, 25-1, FIG. 1C, ITEM 124, 25-1, FIG. 1E, ITEM 116A, 25-1, FIG. 1F, ITEM 96, 25-1, FIG. 1G, ITEM 99, 25-1, FIG. 1H, ITEM 114, 25-1, FIG. 1J, ITEM 116, 25-1, FIG. 1K, ITEM 110, 25-1, FIG. 2B, ITEM 114, 25-1, FIG. 2C, ITEM 105, 25-1, FIG. 2D, ITEM 89, 25-1, FIG. 2E, ITEM 62, 25-1, FIG. 2F, ITEM 102 AND 25-1, FIG. 2H, ITEM 110)								RF
	1 AN520DD10R7	. SCREW								2
	2 BACN10P114R60	. WASHER								2
	3 AN960D10L	. WASHER								4
	4 NAS679C3W	. NUT								2
	5 AN5823-1	. CARD								1
	5A BAC27CEQ205	. MARKER-ALUMINUM FOIL							5199	1
	6A 65-3349-19	. BRACKET ASSY, PILOTS STANDBY COMPASS CARD SUPPORT								1
	7 AN5800-1	. HOLDER ASSY								1
	8A 65-3349-20	. BRACKET, PILOTS STANDBY COMPASS CARD SUPPORT								1
	8B BAC27DCC707	. PLACARD, RADIO RECEIVERS ON (ADDED BY SB 3081).							0150	1
	8B BAC27CEQ205	. PLACARD, RADIO RECEIVERS ON (ADDED BY SB 3081).							0150	1
		(OPTIONAL BAC27CEQ205)								
		(OPTIONAL TO BAC27DCC707)								
	9 AN515B6R12	. SCREW								4
	10 BACN10D020	. SHIM								4
	11 MS33737-9	. NUT								4
	12 CSC	. COMPASS, STANDBY (V61349)								1
M 12A	AF961	. LAMPHOLDER ASSY, (V61349)								1
M 12B	A0513A	. LAMP, (V61349)								1
	13 AN520DD6R8	. SCREW								2
	14 NAS1329A06K75	. WASHER								2
	15 65-3349-5	. LINER, PILOTS STANDBY COMPASS								1
		(OPTIONAL 65-3349-27)								
	16 65-3349-8	. CUSHION, PILOTS STANDBY COMPASS								1
	17 BACB30BG3-46	. BOLT								1
	18 AN960D10L	. WASHER								2
	19 NAS43DD3-72	. SPACER								1
	20 NAS43DD3-95	. SPACER								1
	21 AN32003	. NUT								1
	22 63-10290	. SPRING, STANDBY COMPASS POSITIONING								1
	22A BACC10DK3	. CLAMP								1
		ATTACHING PARTS								
		. SCREW								1
		. WASHER								2
		. SPACER								1
		. NUT								1
	22B BACC10DK3	. CLAMP								1
		ATTACHING PARTS								
		. SCREW								1
		. NUT								1
	22C AN735D6	. CLAMP								1
		ATTACHING PARTS								
		. SCREW								1
		. NUT								1
	23 65-3349-18	. BRACKET, PILOTS STANDBY COMPASS SUPPORT								1
	24 BACB30BG3-52A	. BOLT								1
	25 AN960D10	. WASHER								4
	26 NAS43DD3-84	. SPACER								2
	27 NAS679C3W	. NUT								1
	28 BACB30BG3-4A	. BOLT								2
	29 AN960D10L	. WASHER								4
	30 AN960D10	. WASHER								2
	31 65-3349-13	. BUSHING, PILOTS STANDBY COMPASS (ALTERED FROM								2
		NAS43DD3-20)								
	32 NAS679C3W	. NUT								2
	33 65-3349-4	. PLATE, PILOTS STANDBY COMPASS								1
		(OPTIONAL 65-3349-27)								
	34 BACS40A16-4B	. SHIM								1
	35 AN520DD10R7	. SCREW								2
	36 65-3349-26	. STOP ASSY, PILOTS STANDBY COMPASS SUPPORT								2
	37 65-3349-10	. BRACKET ASSY, PILOTS STANDBY COMPASS								1
	38 BACB2885-198P	. BUSHING								2
	39 65-3349-11	. BRACKET, PILOTS STANDBY COMPASS								1

MISSING ITEM NUMBERS ARE NOT APPLICABLE

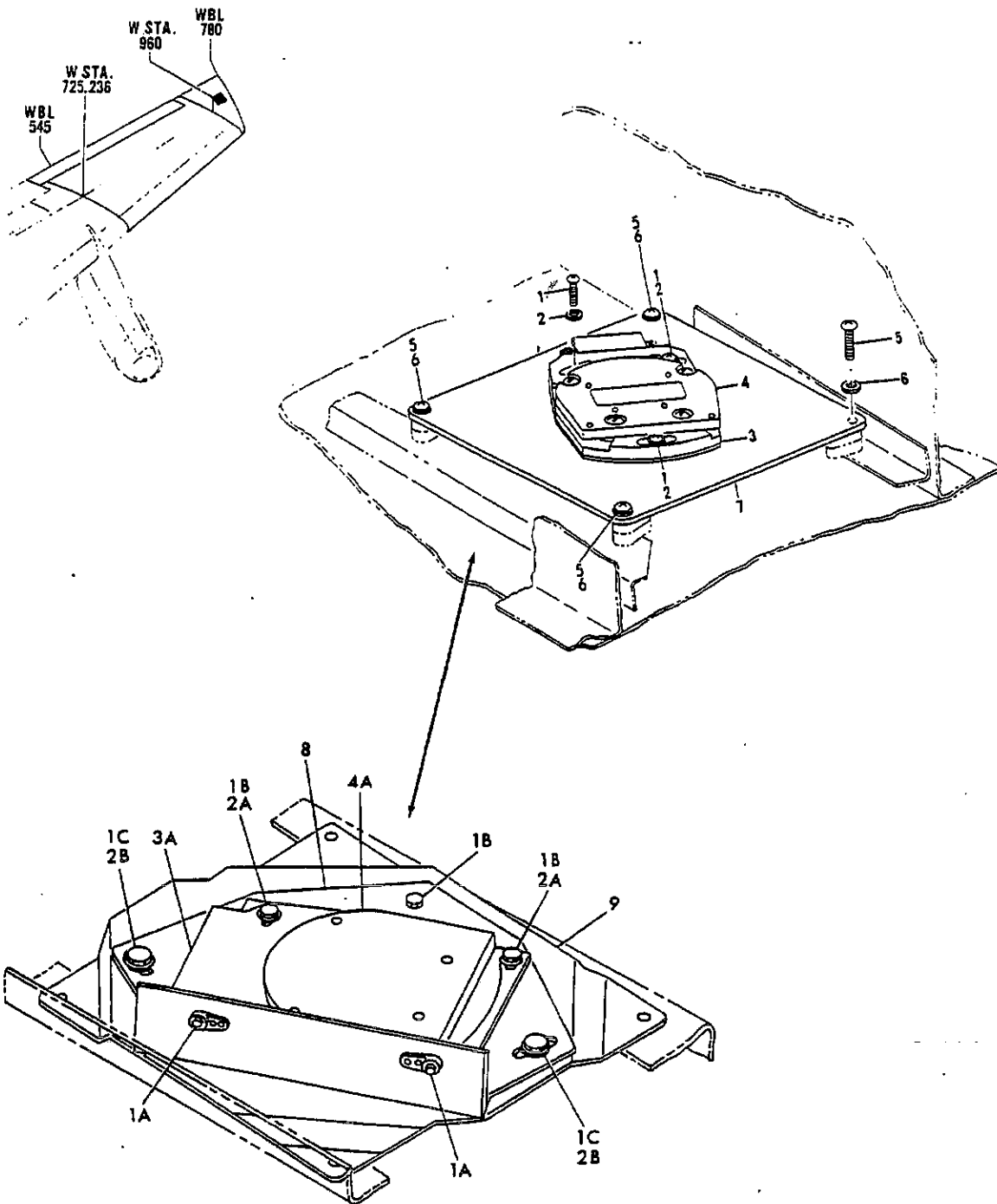


FIGURE 2. VALVE INSTL. WING COMPASS FLUX



PARTS CATALOG

FIGURE & ITEM NO.	MANUFACTURER'S PART NUMBER	NOMENCLATURE							EFF FROM TO	UNITS PER ASSY		
		1	2	3	4	5	6	7				
R R R R R R R R R R R R R R R	2	65-7460-1	VALVE INSTL, WING COMPASS FLUX (LH) (NAVIGATION ONLY) . (SEE 57-1, FIG. 1, ITEM 26)							0101 0450	RF	
		65-7460-1	VALVE INSTL, WING COMPASS FLUX (LH) (NAVIGATION ONLY) . (DELETED BY SB 3392) (SEE 57-1, FIG. 1, ITEM 26)							0203	RF	
		65-7460-2	VALVE INSTL, WING COMPASS FLUX (RH) (NAVIGATION ONLY) . (SEE 57-1, FIG. 1, ITEM 26)							0101 0450	RF	
		65-7460-2	VALVE INSTL, WING COMPASS FLUX (RH) (NAVIGATION ONLY) . (DELETED BY SB 3392) (SEE 57-1, FIG. 1, ITEM 26)							0203	RF	
		65-7460-1	VALVE INSTL, WING COMPASS FLUX (LH) (NAVIGATION ONLY) . (VARIABLE DWG;65-7460-5001) (SEE 57-1, FIG. 1, ITEM 26)							5199	RF	
		65-7460-2	VALVE INSTL, WING COMPASS FLUX (RH) (NAVIGATION ONLY) . (VARIABLE DWG;65-7460-5002) (SEE 57-1, FIG. 1, ITEM 26)							5199	RF	
		1	BACSL2BE06A14	. SCREW								3
		1A	BACSL2BESA12	. SCREW							5199	2
		1B	BACSL2BE3A8	. SCREW							5199	3
		1C	BACB30LM4HU3	. BOLT							5199	2
		2	AN960D6L	. WASHER								3
		2A	AN960D10L	. WASHER							5199	2
		2B	AN960D416L	. WASHER							5199	2
		3	620359	. VALVE, FLUX (V58960)							0150	1
		3A	2589419-901	. VALVE, FLUX (V58960)							5199	1
		4	620783	. COMPENSATOR, FLUX VALVE (V58960)							0150	1
		5	BACSL2BE08A20	. SCREW							0150	4
	6	AN960D8L	. WASHER							0150	4	
	7	69-6196-1	. PLATE ASSY, FLUX VALVE MOUNTING (LH ONLY)							0150	1	
	7	69-6196-2	. PLATE ASSY, FLUX VALVE MOUNTING (RH ONLY)							0150	1	
	8	69-55830-5	. PLATE, INDEXING (USED ON 65-7460-5001, -5002, -5007, -5008)							5199	1	
	9	69-55830-1	. PLATE ASSY, MOUNTING (LH) (USED ON 65-74605001, . . . -5007)							5199	1	
	9	69-55830-2	. PLATE ASSY, MOUNTING (RH) (USED ON 65-7460-5002, . . . -5008)							5199	1	

MISSING ITEM NUMBERS ARE NOT APPLICABLE

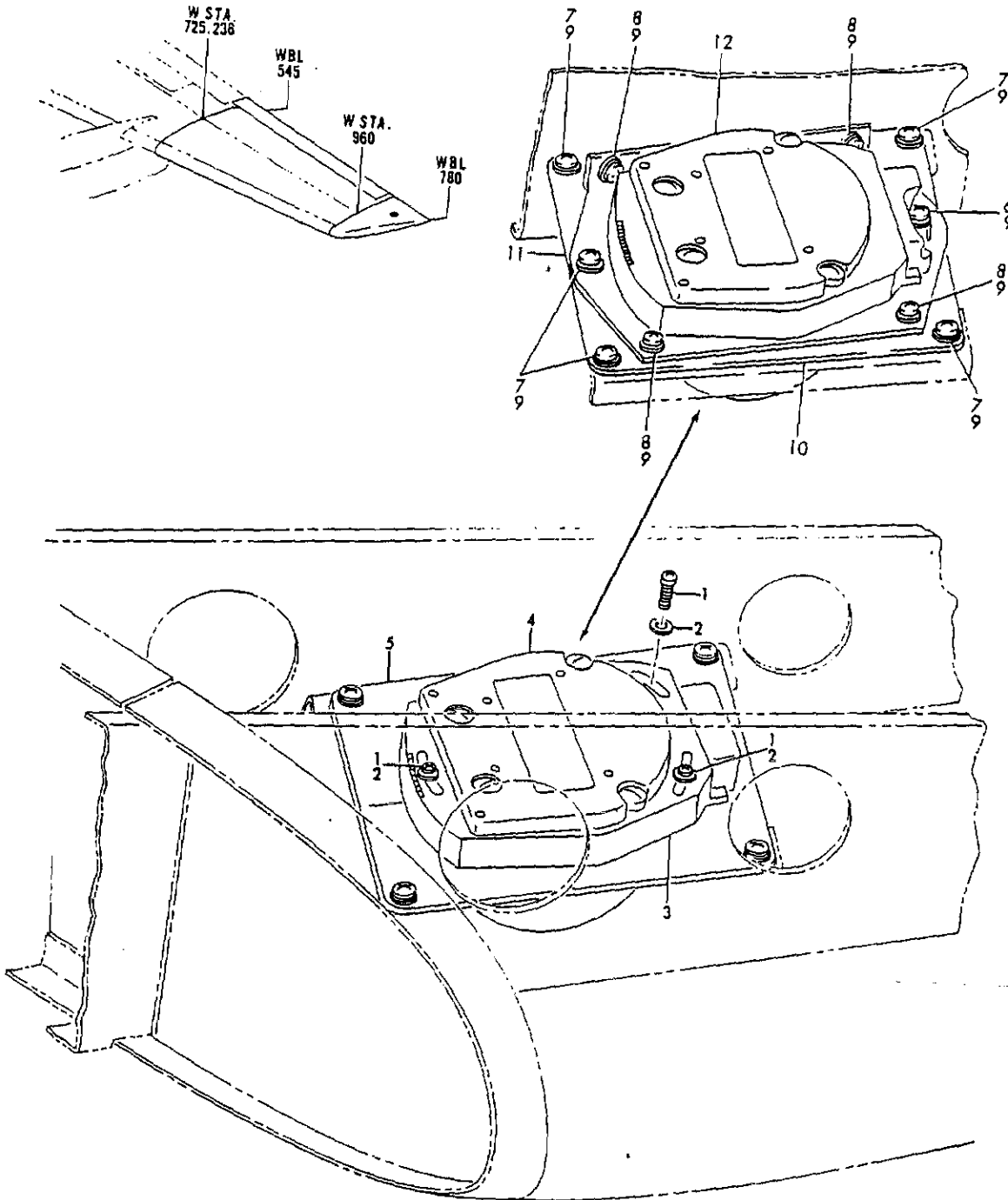


FIGURE 6A. TRANSMITTER INSTL, WING TIP FLUXGATE LH



PARTS CATALOG

FIGURE & ITEM NO.	MANUFACTURER'S PART NUMBER	NOMENCLATURE							EFF FROM TO	UNITS PER ASSY	
		1	2	3	4	5	6	7			
6A	65-26261-2	TRANSMITTER INSTL, WING TIP FLUXGATE LH							0203		
	65-26261-2	. TRANSMITTER INSTL, WING TIP FLUXGATE LH (ADDED BY . . .							0203	RF	
		SB 3392) (SEE 57-1, FIG. 1, ITEM 26)									
	1	BACS12BE06A14	. TRANSMITTER INSTL, WING TIP FLUXGATE LH (SEE 57-1, . .							0203	RF
			FIG. 1, ITEM 26)								
	2	AN960PD6L	. . . SCREW							0203	3
	3	620359	. . . WASHER							0203	3
	4	620783	. . . TRANSMITTER, (V58960)							0203	1
	5	69-20512-1	. . . COMPENSATOR, (V58960)							0203	1
			. . . PLATE ASSY, FLUXGATE TRANSMITTER MOUNTING							0203	1
		BACS12BE3A8	ATTACHING PARTS								
		AN960PDBL	. . . SCREW							0203	4
		. . . WASHER							0203	4	

MISSING ITEM NUMBERS ARE NOT APPLICABLE

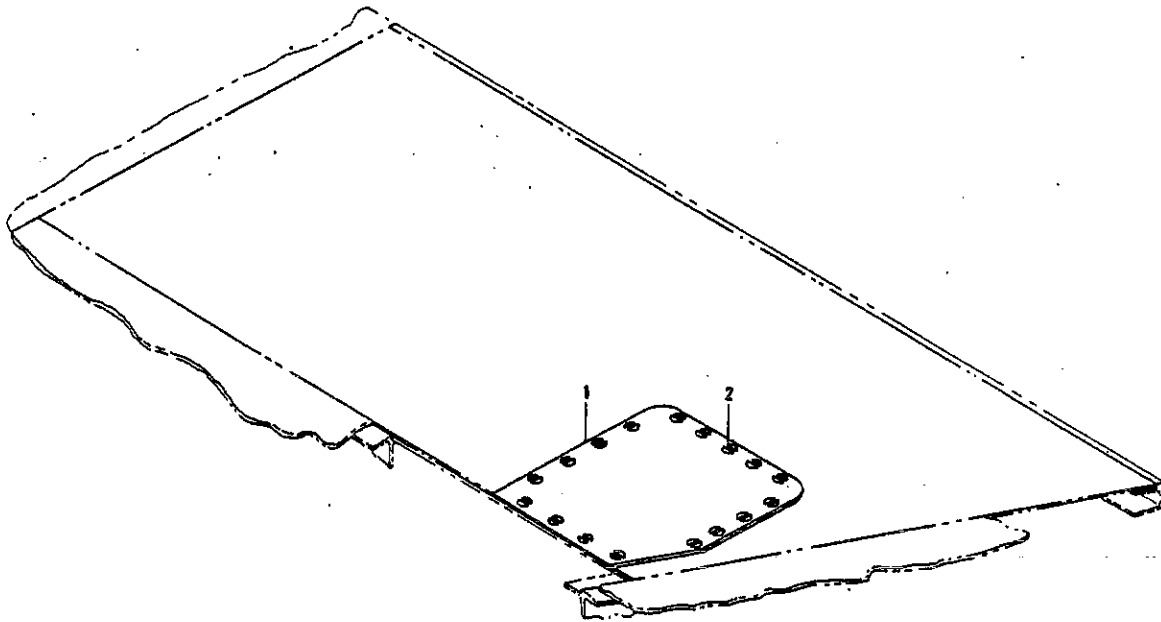
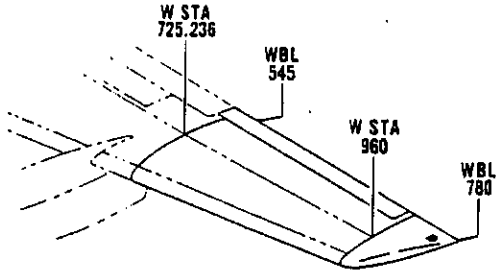


FIGURE 13. PANEL INSTL, WING TIP TRAILING EDGE UPPER



PARTS CATALOG

FIGURE & ITEM NO.	MANUFACTURER'S PART NUMBER	NOMENCLATURE							EFF FROM TO	UNITS PER ASSY
		1	2	3	4	5	6	7		
13	5-96735-1	PANEL INSTL, WING TIP TRAILING EDGE UPPER (NAVIGATION ONLY) (LH) (SEE 57-2, FIG. 2, ITEM 17B AND 57-2, FIG. 3, ITEM 16)								RF
	5-96735-2	PANEL INSTL, WING TIP TRAILING EDGE UPPER (NAVIGATION ONLY) (RH) (SEE 57-2, FIG. 2, ITEM 17B AND 57-2, FIG. 3, ITEM 16)								RF
1	5-96735-7	. DOOR, WING TIP TRAILING EDGE UPPER PANEL FLUX VALVE ACCESS (LH ONLY)								1
1	5-96735-8	. DOOR, WING TIP TRAILING EDGE UPPER PANEL FLUX VALVE ACCESS (RH ONLY)								1
2	BACB30BF3K2	ATTACHING PARTS								17
2	BACB30BF3K2	. BOLT, (LH ONLY)								17
		. BOLT, (RH ONLY)								
		-----*								
		. FOR REFERENCE TO OTHER PANEL DETAILS, SEE NHA								

MISSING ITEM NUMBERS ARE NOT APPLICABLE

BOEING *707* *Intercontinental* 
PARTS CATALOG

SECTION 06
PITOT-STATIC SYSTEM

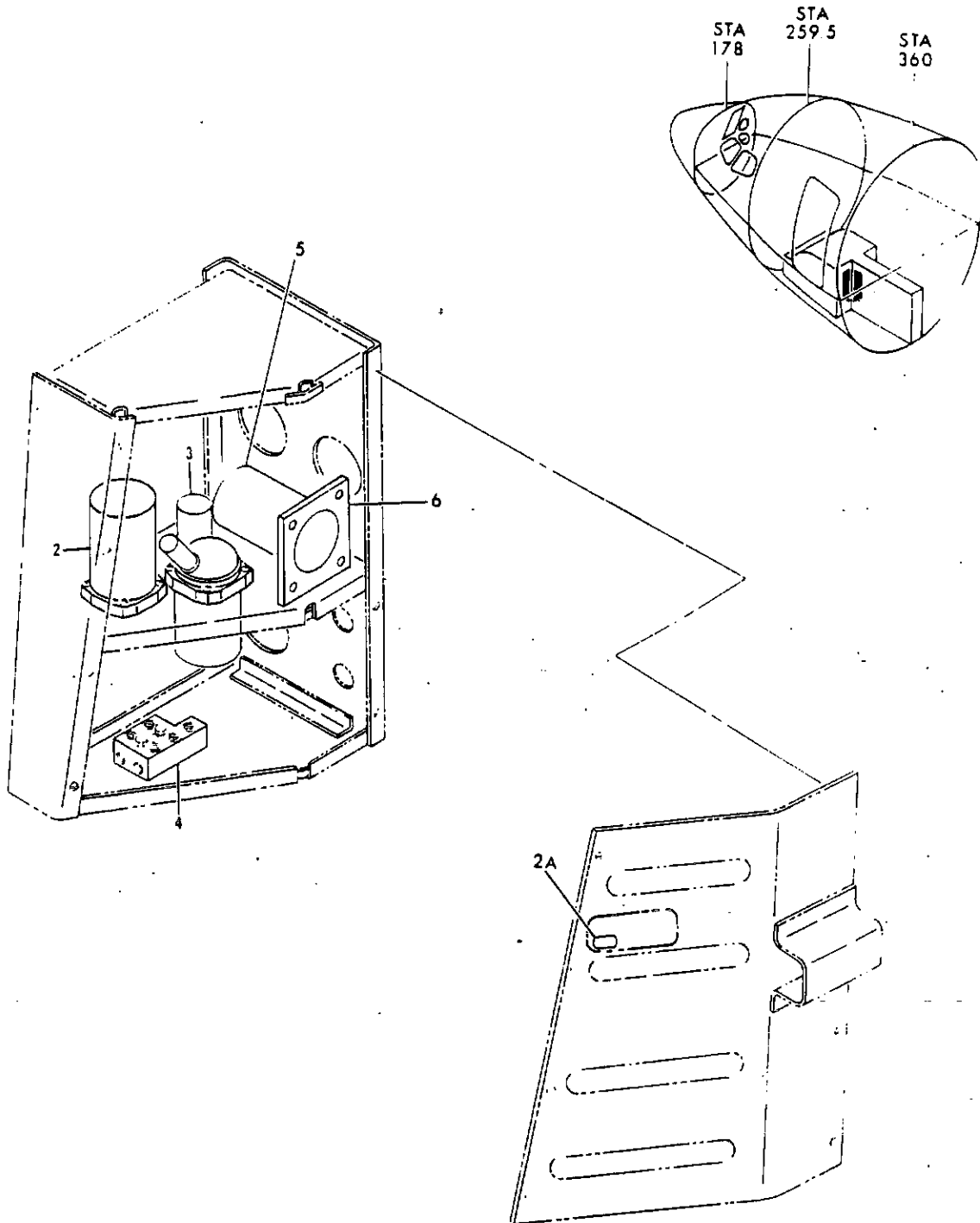


FIGURE 2. EQUIPMENT INSTL, STATION 312 AIR DATA SENSOR LH (NAVIGATION ONLY)



PARTS CATALOG

FIGURE & ITEM NO.	MANUFACTURER'S PART NUMBER	1 2 3 4 5 6 7	NOMENCLATURE	EFF	UNITS
				FROM TO	PER ASSY
R R R R R R R R R R R R R	2 1 2 NAS601-14P AN960D6 NAS487-21 3 PDC1-1B NAS601-8P 4 69-4769-1 AN3-15A		EQUIPMENT INSTL, STATION 312 AIR DATA SENSOR LH (NAVIGATION ONLY) (SEE 24-3, FIG. 5, ITEM 27A, 24-3, FIG. 5A, ITEM 27A, 24-3, FIG. 5B, ITEM 27A, 24-3, FIG. 5C, ITEM 45, 24-3, FIG. 5D, ITEM 41, 24-3, FIG. 5E, ITEM 19 AND 24-3, FIG. 5F, ITEM 19) . TRANSMITTER, MACHMETER SYNCHROTEL (V89944) SWITCH, MACH-AIRSPD WARNING ATTACHING PARTS . SCREW WASHER NUT -----* . SWITCH, AIRSPD (V92114) ATTACHING PARTS . SCREW -----* . MANIFOLD, PITOT-STATIC ATTACHING PARTS . BOLT -----* . FOR REFERENCE TO OTHER EQUIPMENT DETAILS, SEE NHA . . .	0150 0150 0150 0150 0150 0150 0150 0150 0150 0150 0150 0150 0150	RF 1 1 8 8 8 1 4 1 2 0150
MISSING ITEM NUMBERS ARE NOT APPLICABLE					

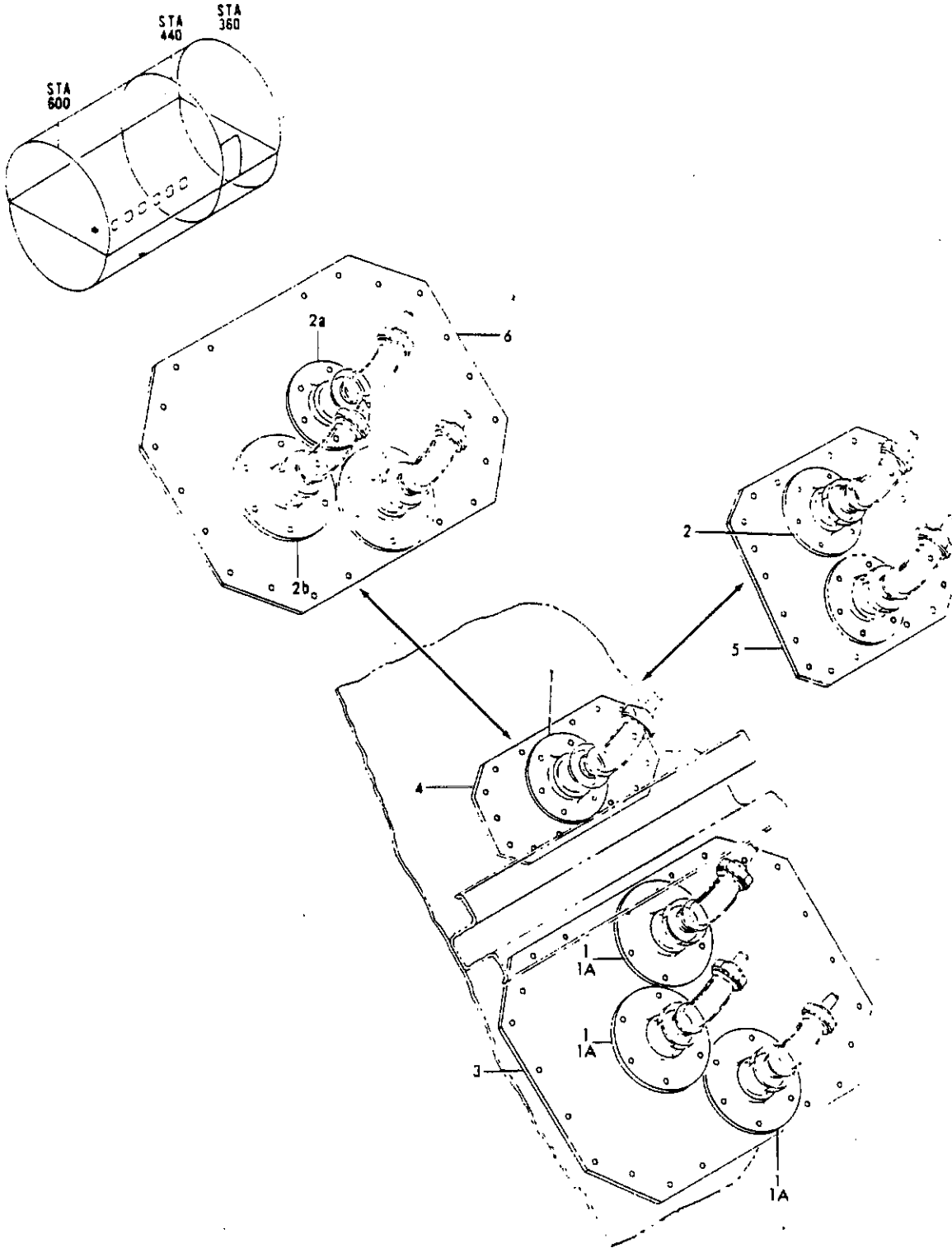


FIGURE 38. PORT INSTL, STATIC PRESSURE



PARTS CATALOG

FIGURE & ITEM NO.	MANUFACTURER'S PART NUMBER	NOMENCLATURE							EFF FROM TO	UNITS PER ASSY	
		1	2	3	4	5	6	7			
R R R R	38	65-61409-1	PORT INSTL, STATIC PRESSURE (LH) (SEE 53-1, FIG. 2, . . . ITEM 63)							0150	RF
		65-61409-9	PORT INSTL, STATIC PRESSURE (LH) (SEE 53-1, FIG. 2, . . . ITEM 63, 53-1, FIG. 5, ITEM 15)							5199	RF
		65-61409-2	PORT INSTL, STATIC PRESSURE (RH) (SEE 53-1, FIG. 2, . . . ITEM 64)							0150	RF
		65-61409-10	PORT INSTL, STATIC PRESSURE (RH) (SEE 53-1, FIG. 2, . . . ITEM 64, 53-1, FIG. 5, ITEM 15)							5199	RF
R	1	66-8832-2	. PORT,							0150	4
R		MS2042603	. ATTACHING PARTS								
			. RIVET							0150	24
			-----*								
R	1A	66-8832-3	. PORT,							5199	3
			. ATTACHING PARTS								
R		MS2044603N	. RIVET							5199	18
			-----*								
	3	66-9462-3	. DOUBLER, (LH ONLY).								1
	3	66-9462	. DOUBLER, (RH ONLY).								1
			. ATTACHING PARTS								
		MS2042605	. RIVET								22
			-----*								
R	4	66-9462-2	. DOUBLER, (LH ONLY).							0150	1
R	4	66-9462-2	. DOUBLER, (RH ONLY).							0150	1
			. ATTACHING PARTS								
R		MS2042605	. RIVET							0150	14
			-----*								

MISSING ITEM NUMBERS ARE NOT APPLICABLE

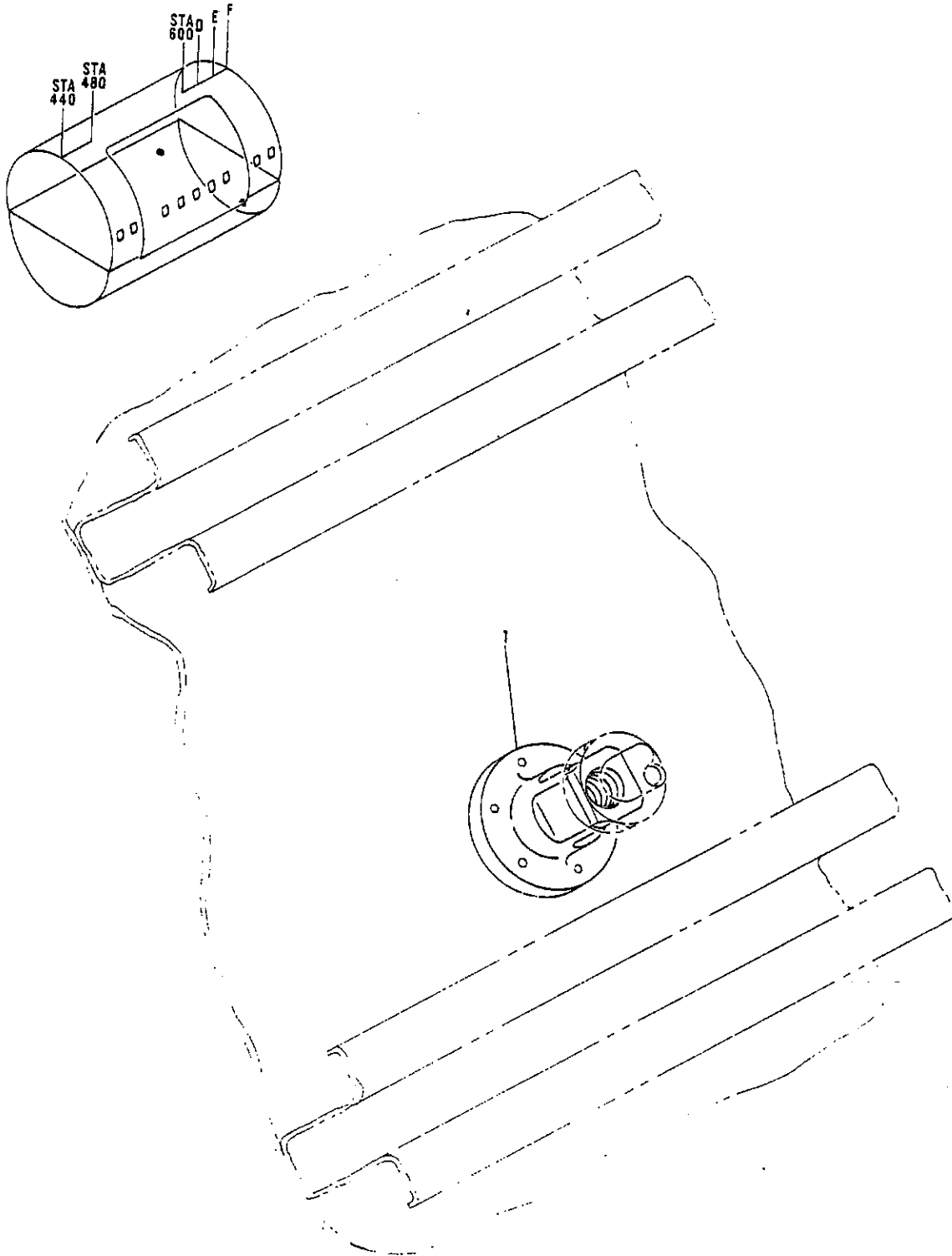


FIGURE 3F. PORT INSTL, ALTERNATE STATIC SYSTEM



PARTS CATALOG

FIGURE & ITEM NO.	MANUFACTURER'S PART NUMBER	NOMENCLATURE							EFF FROM TO	UNITS PER ASSY	
		1	2	3	4	5	6	7			
R R R R R	3F	65-5640-1	PORT INSTL, ALTERNATE STATIC SYSTEM (LH) (SEE 53-1, . . .							5199	RF
		65-5640-2	FIG. 2, ITEM 63A) PORT INSTL, ALTERNATE STATIC SYSTEM (RH) (SEE 53-1, . . .							5199	RF
	1	66-4152-2	FIG. 2, ITEM 64B) . FLANGE, PRESSURE PORT							5199	1
		MS2042603	ATTACHING PARTS . RIVET							5199	6
-----*											
MISSING ITEM NUMBERS ARE NOT APPLICABLE											

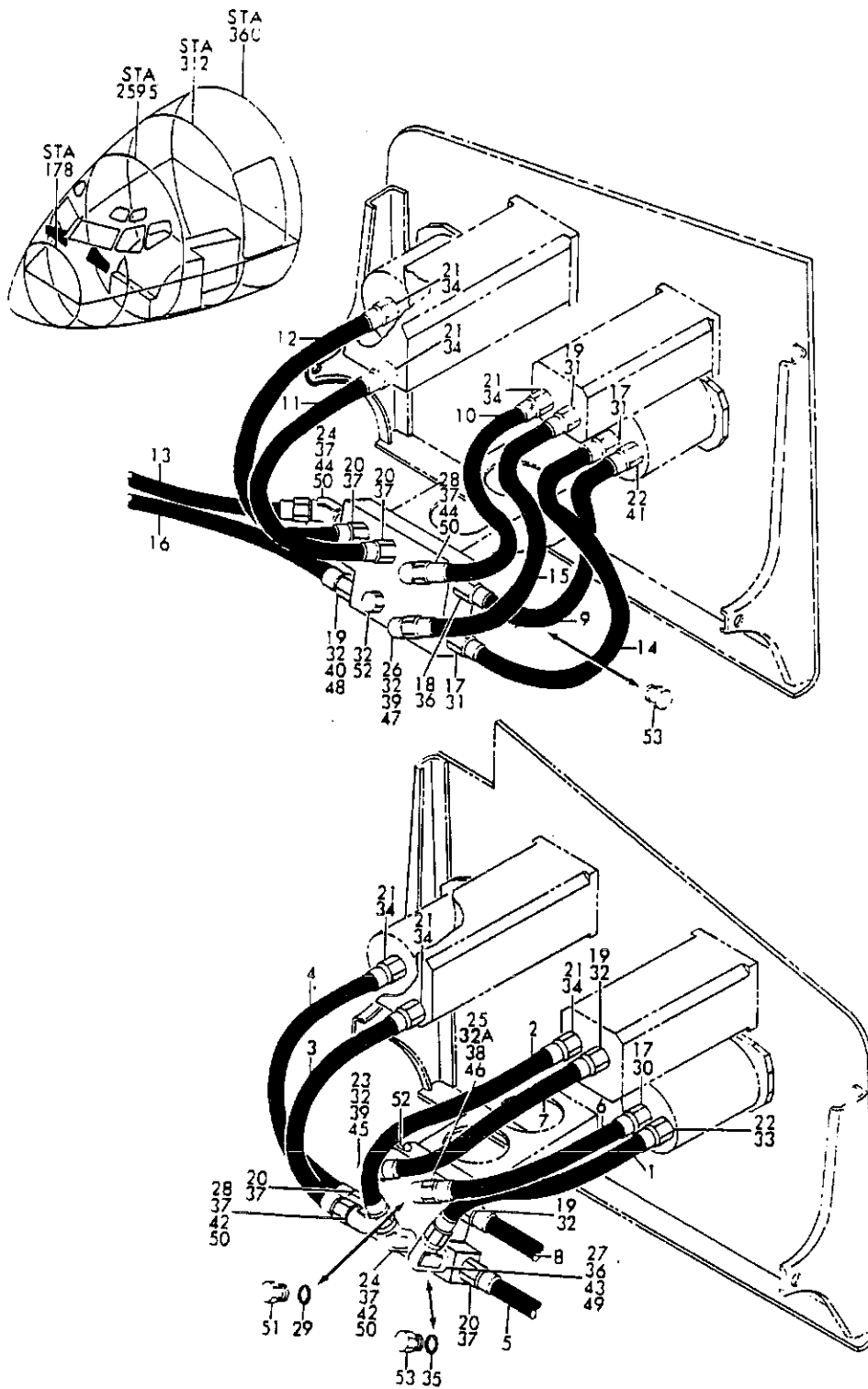


FIGURE 14P. TUBING INSTL, PILOTS AND COPILOTS MAIN INSTRUMENT PANEL PITOT/STATIC



PARTS CATALOG

FIGURE & ITEM NO.	MANUFACTURER'S PART NUMBER	NOMENCLATURE	EFF	UNITS
			FROM TO	PER ASSY
R 14P	65-51161-1	TUBING INSTL, PILOTS MAIN INSTRUMENT PANEL PITOT-STATIC (SEE FIG. 30E, ITEM 117)	0150	RF
R 1	65-51161-2	TUBING INSTL, COPILOTS MAIN INSTRUMENT PANEL PITOT-STATIC (SEE FIG. 30E, ITEM 118)	0150	RF
R 2	BACH30BC060096	HOSE ASSY, (PILOT) (DELETED BY SB 2663)	0103	1
R 2	BACH30BC060110	HOSE ASSY, (PILOT)	0450	1
R 2	BACH30BC060110	HOSE ASSY, (PILOT) (ADDED BY SB 2663)	0103	1
R 2	BACH30BC060120	HOSE ASSY, (PILOT) (DELETED BY SB 2663)	0103	1
R 3	BACH30BC060126	HOSE ASSY, (PILOT)	0150	1
R 4	BACH30BC060164	HOSE ASSY, (PILOT)	0150	1
R 5	BACH30BC060370	HOSE ASSY, (PILOT)	0150	1
R 6	BACH30BC040086	HOSE ASSY, (PILOT) (DELETED BY SB 2663)	0103	1
R 7	BACH30BC040114	HOSE ASSY, (PILOT)	0150	1
R 8	BACH30BC040294	HOSE ASSY, (PILOT)	0150	1
R 9	BACH30BC060104	HOSE ASSY, (COPILOT) (DELETED BY SB 2663)	0103	1
R 10	BACH30BC060114	HOSE ASSY, (COPILOT)	0450	1
R 10	BACH30BC060140	HOSE ASSY, (COPILOT) (DELETED BY SB 2663)	0103	1
R 10	BACH30BC060114	HOSE ASSY, (COPILOT) (ADDED BY SB 2663)	0103	1
R 11	BACH30BC060120	HOSE ASSY, (COPILOT)	0150	1
R 12	BACH30BC060140	HOSE ASSY, (COPILOT)	0150	1
R 13	BACH30BC060360	HOSE ASSY, (COPILOT)	0150	1
R 14	BACH30BC040102	HOSE ASSY, (COPILOT)	0450	1
R 14	BACH30BC040102	HOSE ASSY, (COPILOT) (DELETED BY SB 2663)	0103	1
R 15	BACH30BC040144	HOSE ASSY, (COPILOT)	0450	1
R 15	BACH30BC040152	HOSE ASSY, (COPILOT) (DELETED BY SB 2663)	0103	1
R 15	BACH30BC040114	HOSE ASSY, (COPILOT) (ADDED BY SB 2663)	0103	1
R 16	BACH30BC040276	HOSE ASSY, (COPILOT)	0150	1
R 17	MS21902D4	UNION, (DELETED BY SB 2663)	0103	3
R 18	MS21902D6	UNION, (COPILOT) (DELETED BY SB 2663)	0103	1
R 19	MS21902D4	UNION	0150	2
R 20	MS21902D6	UNION	0150	2
R 21	MS21916D6-5	REDUCER	0150	3
R 22	MS21916D65	REDUCER, (DELETED BY SB 2663)	0103	1
R 23	MS21907D4	ELBOW, (PILOT)	0150	1
R 24	MS21907D6	ELBOW	0150	1
R 25	MS21908D4	ELBOW, (PILOT) (DELETED BY SB 2663)	0103	1
R 26	MS21908D4	ELBOW, (COPILOT)	0150	1
R 27	MS21908D6	ELBOW, (PILOT) (DELETED BY SB 2663)	0103	1
R 28	MS21908D6	ELBOW	0150	1
R 29	MS28778-4	PACKING, (PILOT)	0450	1
R 29	MS28778-4	PACKING, (PILOT) (ADDED BY SB 2663)	0103	1
R 30	MS28778-4	PACKING, (PILOT) (DELETED BY SB 2663)	0103	1
R 31	MS28778-4	PACKING, (COPILOT) (DELETED BY SB 2663)	0103	1
R 32	MS28778-4	PACKING	0150	4
R 32A	MS28778-4	PACKING, (DELETED BY SB 2663)	0103	1
R 33	MS28778-5	PACKING, (PILOT) (DELETED BY SB 2663)	0103	1
R 34	MS28778-5	PACKING	0150	3
R 35	MS28778-6	PACKING, (PILOT)	0450	1
R 35	MS28778-6	PACKING, (PILOT) (ADDED BY SB 2663)	0103	1
R 36	MS28778-6,	PACKING, (PILOT) (DELETED BY SB 2663)	0103	1
R 37	MS28778-6	PACKING	0150	4
R 38	MS28777-4,	RING, (PILOT) (DELETED BY SB 2663)	0103	1
R 39	MS28777-4	RING	0150	1
R 40	MS28777-4	RING, (COPILOT)	0450	1
R 41	MS28777-5	RING, (COPILOT) (DELETED BY SB 2663)	0103	1
R 42	MS28777-6	RING, (PILOT)	0150	2
R 43	MS28777-6	RING, (PILOT) (DELETED BY SB 2663)	0103	1
R 44	MS28777-6	RING, (COPILOT)	0150	2
R 45	AN6289D4	NUT, (PILOT)	0150	1
R 46	AN6289D4	NUT, (PILOT) (DELETED BY SB 2663)	0103	1
R 47	AN6289D4	NUT, (COPILOT)	0150	1
R 48	AN6289D4	NUT, (COPILOT)	0450	1
R 49	AN6289D6	NUT, (PILOT) (DELETED BY SB 2663)	0103	1
R 50	AN6289D6	NUT	0150	2
R 51	AN814D4	CAP, (PILOT)	0450	1
R 51	AN814D4	CAP, (PILOT) (ADDED BY SB 2663)	0103	1
R 52	AN814D4	CAP	0150	1
R 53	AN814D6	CAP	0450	1
R 53	AN814D6	CAP, (ADDED BY SB 2663)	0103	1

MISSING ITEM NUMBERS ARE NOT APPLICABLE

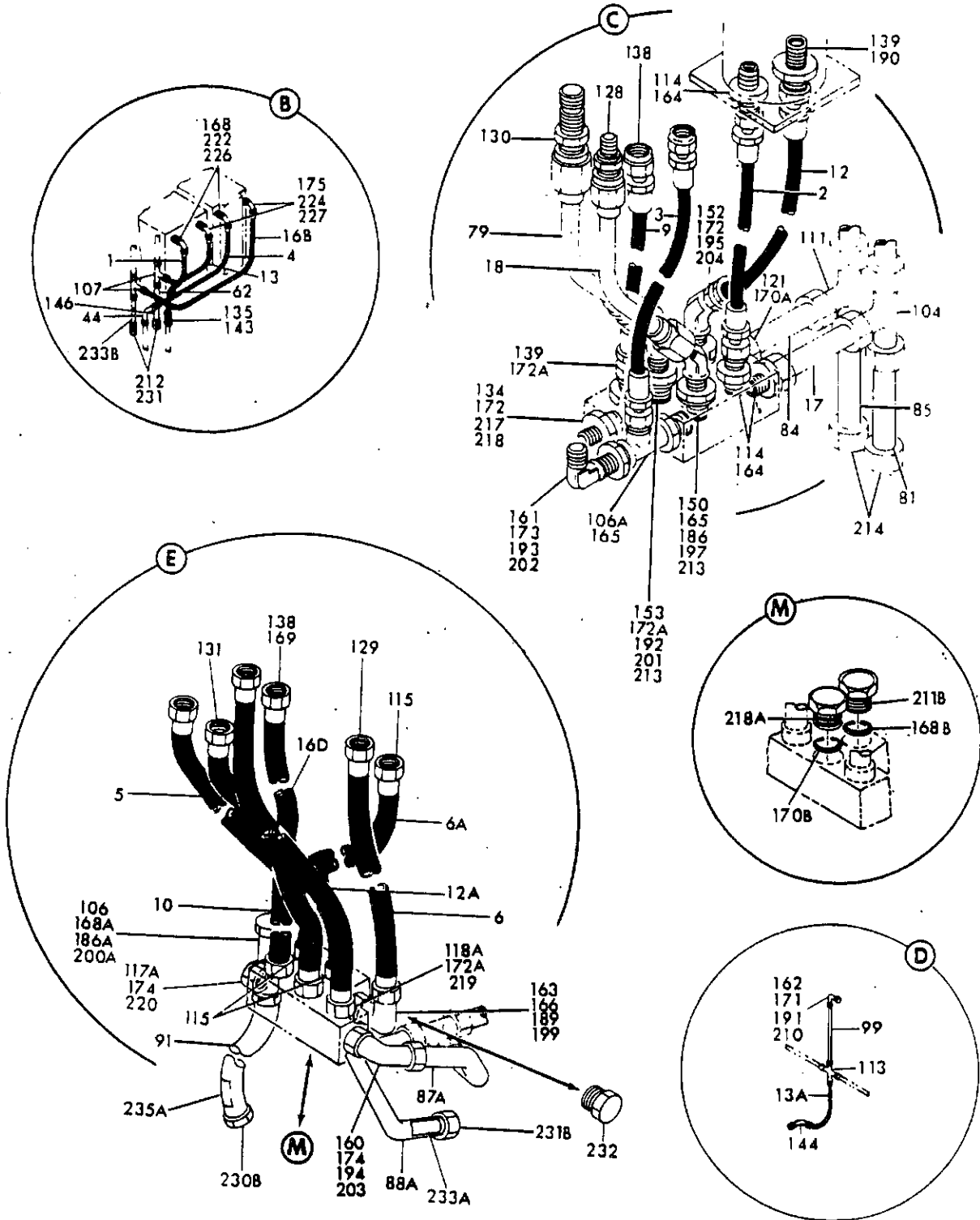


FIGURE 29E. TUBING INSTL, SECTION 52 PITOT STATIC (SHEET 2)

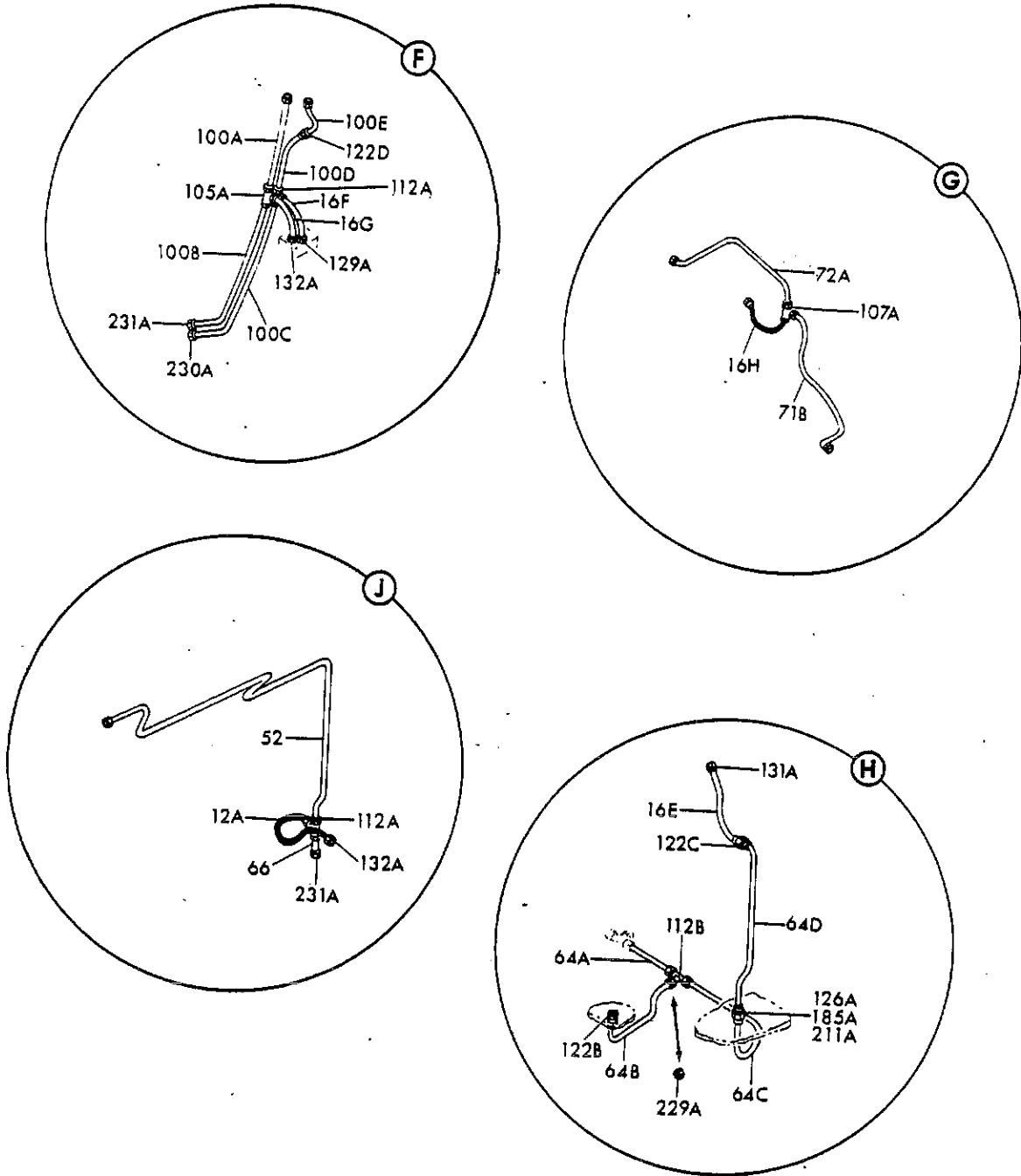


FIGURE 29E. TUBING INSTL, SECTION 52 PITOT-STATIC (SHEET 3)

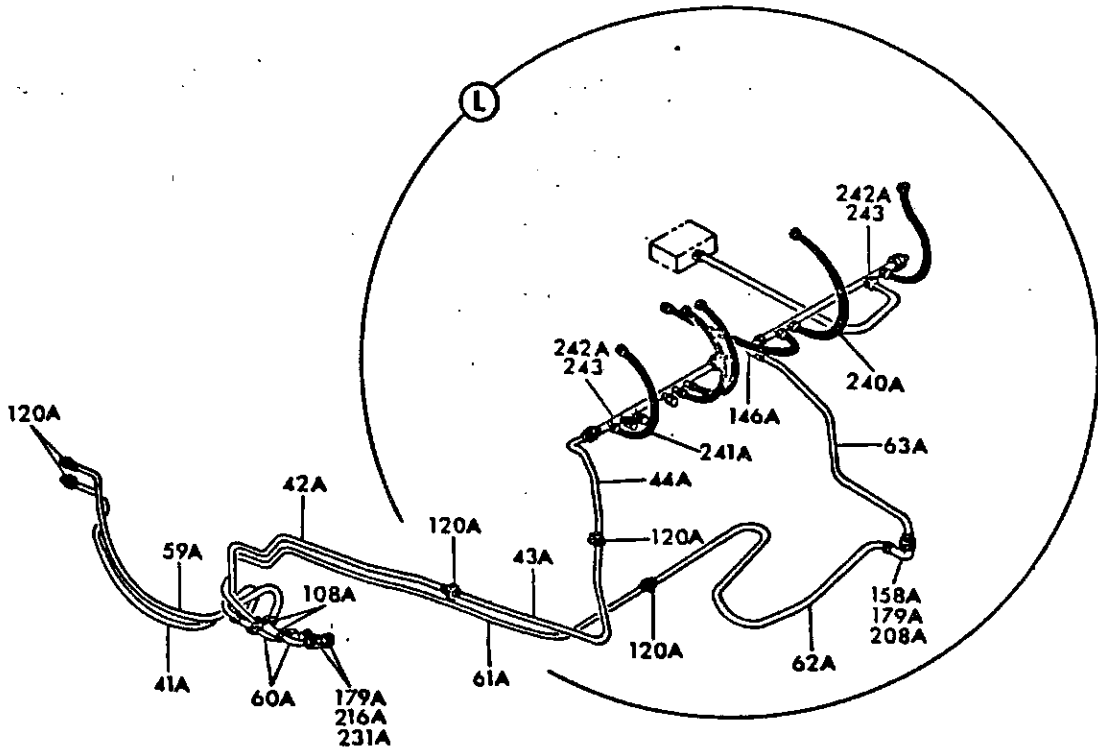
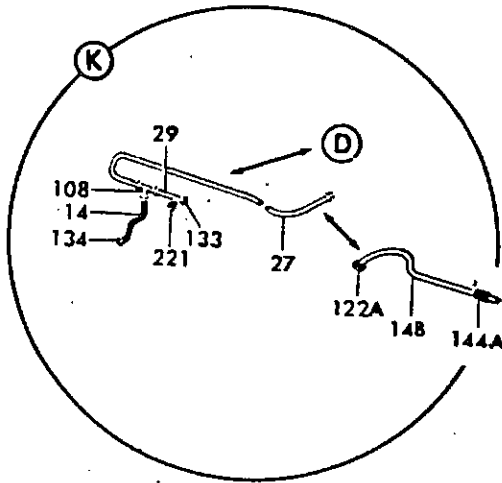


FIGURE 29E. TUBING INSTL. SECTION 52 PITOT STATIC (SHEET 4)



PARTS CATALOG

FIGURE & ITEM NO.	MANUFACTURER'S PART NUMBER	NOMENCLATURE							EFF FROM TO	UNITS PER ASSY
		1	2	3	4	5	6	7		
29E	50-8796	TUBING INSTL, SECTION 52 PITOT STATIC (VARIABLE DWG:50-8796-5007) (SEE 53-1, FIG. 1, ITEM 22)							5199	RF
1	BACH30BC040070	. HOSE ASSY							5199	1
4	BACH30BC040106	. HOSE ASSY							5199	1
5	BACH30BC040140	. HOSE ASSY							5199	1
6	BACH30BC040142	. HOSE ASSY							5299	1
6A	BACH30BC040142	. HOSE ASSY							5299	1
8	BACH30BC06-0230	. HOSE ASSY							5199	1
10	BACH30BC050146	. HOSE ASSY							5199	1
11B	BACH30BC060230	. HOSE ASSY							5199	1
11B	BACH30BC060240	. HOSE ASSY							5199	1
12A	BACH30BC060122	. HOSE ASSY							5199	1
13	BACH30BC060094	. HOSE ASSY							5199	1
14A	BACH30BC060110	. HOSE ASSY							5199	1
16	BACH30BC060140	. HOSE ASSY							5299	1
16B	BACH30BC060146	. HOSE ASSY							5199	1
16D	BACH30BC060140	. HOSE ASSY							5299	1
20	50-8796-502	. TUBE ASSY, PITOT PRESSURE 1/4 IN. .035 6061-T6.							5199	1
21	50-8796-726	. TUBE ASSY, PITOT PRESSURE 1/4 IN. .035 6061-T6.							5199	1
	BACS13AP4	. SLEEVE							5199	2
	MS21921D4	. NUT							5199	2
23	50-8796-503	. TUBE ASSY, PITOT PRESSURE 3/8 IN. .035 6061-T6.							5199	1
24	50-8796-140	. TUBE ASSY, PITOT PRESSURE 3/8 IN. .035 6061-T6.							5199	1
25	50-8796-739	. TUBE ASSY, PITOT PRESSURE 3/8 IN. .035 6061-T6.							5199	1
26	50-8796-512	. TUBE ASSY, PITOT PRESSURE 3/8 IN. .035 6061-T6.							5199	1
30	50-8796-740	. TUBE ASSY, PITOT PRESSURE 3/8 IN. .035 6061-T6.							5199	1
31	50-8796-741	. TUBE ASSY, PITOT PRESSURE 3/8 IN. .035 6061-T6.							5199	1
32	50-8796-742	. TUBE ASSY, PITOT PRESSURE 3/8 IN. .035 6061-T6.							5199	1
33	50-8796-1013	. TUBE ASSY, PITOT PRESSURE 3/8 IN. .035 6061-T6.							5199	1
35	50-8796-744	. TUBE ASSY, PITOT PRESSURE 3/8 IN. .035 6061-T6.							5199	1
36	50-8796-142	. TUBE ASSY, STATIC PRESSURE 3/8 IN. .035 6061-T6.							5199	1
37	50-8796-441	. TUBE ASSY, STATIC PRESSURE 3/8 IN. .035 6061-T6.							5199	1
38	50-8796-14	. TUBE ASSY, STATIC PRESSURE 3/8 IN. .035 6061-T6.							5199	1
39	50-8796-500	. TUBE ASSY, PITOT PRESSURE 3/8 IN. .035 6061-T6.							5199	1
40	50-8796-337	. TUBE ASSY, STATIC PRESSURE 3/8 IN. .035 6061-T6.							5199	1
41	50-8796-1010	. TUBE ASSY, PITOT PRESSURE 3/8 IN. .035 6061-T6.							5199	1
41A	50-8796-1008	. TUBE ASSY, STATIC PRESSURE 3/8 IN. .035 6061-T6.							5199	1
42	50-8796-746	. TUBE ASSY, PITOT PRESSURE 3/8 IN. .035 6061-T6.							5199	1
42A	50-8796-1006	. TUBE ASSY, STATIC PRESSURE 3/8 IN. .035 6061-T6.							5199	1
43	50-8796-747	. TUBE ASSY, STATIC PRESSURE 3/8 IN. .035 6061-T6.							5199	1
43A	50-8796-1004	. TUBE ASSY, STATIC PRESSURE 3/8 IN. .035 6061-T6.							5199	1
43B	50-8796-1014	. TUBE ASSY, STATIC PRESSURE 3/8 IN. .035 6061-T6.							5199	1
44	50-8796-748	. TUBE ASSY, STATIC PRESSURE 3/8 IN. .035 6061-T6.							5199	1
44	50-8796-1015	. TUBE ASSY, STATIC PRESSURE 3/8 IN. .035 6061-T6.							5199	1
44A	50-8796-1002	. TUBE ASSY, STATIC PRESSURE 3/8 IN. .035 6061-T6.							5199	1
45	50-8796-1016	. TUBE ASSY, STATIC PRESSURE 3/8 IN. .035 6061-T6.							5199	1
46	50-8796-204	. TUBE ASSY, STATIC PRESSURE 3/8 IN. .035 6061-T6.							5199	1
49	50-8796-750	. TUBE ASSY, STATIC PRESSURE 3/8 IN. .035 6061-T6.							5199	1
50	50-8796-751	. TUBE ASSY, STATIC PRESSURE 3/8 IN. .035 6061-T6.							5199	1
53	50-8796-753	. TUBE ASSY, STATIC PRESSURE 3/8 IN. .035 6061-T6.							5199	1
54	50-8796-508	. TUBE ASSY, STATIC PRESSURE 3/8 IN. .035 6061-T6.							5199	1
55	50-8796-442	. TUBE ASSY, STATIC PRESSURE 3/8 IN. .035 6061-T6.							5199	1
56	50-8796-13	. TUBE ASSY, STATIC PRESSURE 3/8 IN. .035 6061-T6.							5199	1
57	50-8796-20	. TUBE ASSY, STATIC PRESSURE 3/8 IN. .035 6061-T6.							5199	1
58	50-8796-338	. TUBE ASSY, STATIC PRESSURE 3/8 IN. .035 6061-T6.							5199	1
59	50-8796-1009	. TUBE ASSY, STATIC PRESSURE 3/8 IN. .035 6061-T6.							5199	1
59A	50-8796-1007	. TUBE ASSY, STATIC PRESSURE 3/8 IN. .035 6061-T6.							5199	1
60	50-8796-736	. TUBE ASSY, STATIC PRESSURE 3/8 IN. .035 6061-T6.							5199	1
60A	50-8796-1011	. TUBE ASSY, STATIC PRESSURE 3/8 IN. .035 6061-T6.							5199	2
61A	50-8796-1005	. TUBE ASSY, STATIC PRESSURE 3/8 IN. .035 6061-T6.							5199	1
62	50-8796-738	. TUBE ASSY, STATIC PRESSURE 3/8 IN. .035 6061-T6.							5199	1
62A	50-8796-1003	. TUBE ASSY, STATIC PRESSURE 3/8 IN. .035 6061-T6.							5199	1
63	50-8796-380	. TUBE ASSY, STATIC PRESSURE 3/8 IN. .035 6061-T6.							5199	1
63A	50-8796-1001	. TUBE ASSY, STATIC PRESSURE 3/8 IN. .035 6061-T6.							5199	1
64	50-8796-314	. TUBE ASSY, STATIC PRESSURE 3/8 IN. .035 6061-T6.							5199	1
65	50-8796-336	. TUBE ASSY, STATIC PRESSURE 3/8 IN. .035 6061-T6.							5199	1
69	50-8796-335	. TUBE ASSY, STATIC PRESSURE 3/8 IN. .035 6061-T6.							5199	1
70	50-8796-505	. TUBE ASSY, PITOT PRESSURE 3/8 IN. .035 6061-T6.							5199	1
71C	50-8796-1000	. TUBE ASSY, PITOT PRESSURE 3/8 IN. .035 6061-T6.							5199	1
71C	50-8796-506	. TUBE ASSY, PITOT PRESSURE 3/8 IN. .035 6061-T6.							5199	1
72	50-8796-729	. TUBE ASSY, STATIC PRESSURE 3/8 IN. .035 6061-T6.							5199	1
73	50-8796-480	. TUBE ASSY, PITOT PRESSURE 3/8 IN. .035 6061-T6.							5199	1
74	50-8796-730	. TUBE ASSY, PITOT PRESSURE 3/8 IN. .035 6061-T6.							5199	1
75	50-8796-731	. TUBE ASSY, PITOT PRESSURE 3/8 IN. .035 6061-T6.							5199	1

MISSING ITEM NUMBERS ARE NOT APPLICABLE



PARTS CATALOG

FIGURE & ITEM NO.	MANUFACTURER'S PART NUMBER	NOMENCLATURE							EFF FROM TO	UNITS PER ASSY
		1	2	3	4	5	6	7		
29E 76	50-8796-732	.	TUBE ASSY,	PITOT PRESSURE	3/8 IN.	.035	6061-T6.	5199	1	
77	50-8796-1012	.	TUBE ASSY,	PITOT PRESSURE	3/8 IN.	.035	6061-T6.	5199	1	
78	50-8796-734	.	TUBE ASSY,	STATIC PRESSURE	3/8 IN.	.035	6061-T6.	5199	1	
87A	50-8796-703	.	TUBE ASSY,	STATIC PRESSURE	3/8 IN.	.035	6061-T6.	5199	1	
88A	50-8796-702	.	TUBE ASSY,	STATIC PRESSURE	3/8 IN.	.035	6061-T6.	5199	1	
89	50-8796-701	.	TUBE ASSY,	STATIC PRESSURE	3/8 IN.	.035	6061-T6.	5199	1	
90	50-8796-87	.	TUBE ASSY,	STATIC PRESSURE	3/8 IN.	.035	6061-T6.	5199	1	
100	50-8796-25	.	TUBE ASSY,	STATIC PRESSURE	3/8 IN.	.035	6061-T6.	5199	1	
101	50-8796-349	.	TUBE ASSY,	STATIC PRESSURE	3/8 IN.	.035	6061-T6.	5199	1	
102	50-8796-166	.	TUBE ASSY,	STATIC PRESSURE	3/8 IN.	.035	6061-T6.	5199	1	
	BACS13AP6	.	SLEEVE.					5199	2	
	MS21921D6	.	NUT					5199	2	
102A	65-60991-1	.	TUBING INSTL-	SECTION 52 FLIGHT RECORDER PITOT STATIC				5199	1	
			(SEE 34-7, FIG. 11C)						2	
105	BACT16AS060406D	.	TEE					5199	1	
106	BACT16AW060604D	.	TEE					5199	1	
107	MS21905D6	.	TEE					5199	4	
107B	MS21905D6	.	TEE					5199	2	
108A	MS21905D6	.	TEE					5199	2	
109	MS21905D6	.	TEE					5199	1	
110	MS21905D6	.	TEE					5199	7	
115	MS21902D4	.	UNION					5299	3	
116A	MS21902D5	.	UNION					5199	1	
117	MS21902D6	.	UNION					5151	10	
117A	MS21902D6	.	UNION					5151	1	
118	MS21902D6	.	UNION					5151	2	
118A	MS21902D6	.	UNION					5151	1	
118B	MS21902D6	.	UNION					5199	1	
119	MS21902D6	.	UNION					5151	3	
119A	MS21902D6	.	UNION					5151	1	
120	MS21902D6	.	UNION					5199	1	
120A	MS21902D6	.	UNION					5151	5	
121A	MS21902D6	.	UNION					5151	1	
124	MS21924D6	.	UNION					5199	1	
129	BACN18B4AD2	.	NIPPLE.					5199	1	
131	BACN18D6AD2	.	NIPPLE.					5199	1	
135	MS21916D6-4	.	REDUCER					5199	1	
136	MS21916D6D4	.	REDUCER					5199	1	
138	MS21916D6-5	.	REDUCER					5299	1	
142A	BACE21AS0604D	.	ELBOW					5199	2	
143	BACE21AS0604D	.	ELBOW					5199	1	
145	BACE21AT0406D	.	ELBOW					5199	1	
146A	BACE21AW0606D	.	ELBOW					5199	1	
149	MS21904D6	.	ELBOW					5199	1	
151	MS21907D6	.	ELBOW					5199	1	
151A	MS21907D6	.	ELBOW					5199	1	
155	MS21908D6	.	ELBOW					5199	1	
156	MS21908D4	.	ELBOW					5199	1	
158	MS21908D6	.	ELBOW					5199	7	
158A	MS21908D6	.	ELBOW					5199	1	
160	MS21908D6	.	ELBOW					5199	1	
163	MS21908D4	.	ELBOW					5199	1	
166	MS28778-4	.	PACKING					5299	1	
168	MS28778-4	.	PACKING					5299	2	
168A	MS28778-4	.	PACKING					5299	1	
169	MS28778-5	.	PACKING					5151	1	
169A	MS28778-5	.	PACKING					5151	1	
172	MS28778-6	.	PACKING					5199	2	
172A	MS28778-6	.	PACKING					5199	3	
173	MS28778-6	.	PACKING					5199	1	
174	MS28778-6	.	PACKING					5151	2	
175	MS28778-6	.	PACKING					5151	2	
177	AN960PD916	.	WASHER.					5199	1	
179	AN960D916	.	WASHER.					5199	8	
179A	AN960PD916L	.	WASHER.					5199	4	
180	AN960PD916L	.	WASHER.					5199	1	
184A	AN960PD916	.	WASHER.					5199	2	
185	AN960PD916	.	WASHER.					5199	1	
186A	MS28777-4	.	RING.					5199	1	
189	MS28777-4	.	RING.					5199	1	
194	MS28777-6	.	RING.					5199	1	
196	BACG20C18A	.	GROMMET					5199	3	
199	AN6289D4	.	NUT					5199	1	
200A	AN6289D4	.	NUT					5199	1	

MISSING ITEM NUMBERS ARE NOT APPLICABLE



PARTS CATALOG

FIGURE & ITEM NO.	MANUFACTURER'S PART NUMBER	NOMENCLATURE							EFF FROM TO	UNITS PER ASSY
		1	2	3	4	5	6	7		
29E 203	AN6289D6	. NUT							5199	1
205	AN924-6D	. NUT							5199	1
207	AN924-6D	. NUT							5199	11
207A	AN924-6D	. NUT							5199	1
208A	AN924-6D	. NUT							5199	1
216A	AN924D6	. NUT							5199	2
220	AN814-6D	. PLUG							5299	1
222	40006-1A44	. ADAPTER, QUICK DISCONNECT (V31441)							5199	2
223	40006-1B45	. PLUG, QUICK DISCONNECT (V31441)							5199	1
224	40006-1B46	. ADAPTER, QUICK DISCONNECT PLUG (V31441)							5199	2
226	40007A44E	. RECEPTACLE, QUICK DISCONNECT (V31441)							5199	2
227	40007B46E	. RECEPTACLE, (STATIC) QUICK DISCONNECT (V31441)							5199	2
227A	40007B46E	. RECEPTACLE, (STATIC) QUICK DISCONNECT (V31441)							5199	1
229	8ACC14H6LD	. CAP							5199	2
230	40009-1	. CAP ASSY, (PITOT) (V31441)							5199	2
231	40009-2	. CAP ASSY, (STATIC) (V31441)							5199	2
231B	40009-2	. CAP ASSY, (STATIC) (V31441)							5199	1
231C	40009-4	. CAP ASSY, (STATIC) (V31441)							5199	2
233A	69-47924-3	. SCOTCH-CAL INSTL, PITOT-STATIC DRAIN (SEE 11-2, FIG. 179)							5199	1
233B	69-47924-9	. SCOTCH-CAL INSTL, PITOT-STATIC DRAIN (SEE 11-2, FIG. 179B)							5199	1
235	69-47924-10	. SCOTCH-CAL INSTL, PITOT-STATIC DRAIN (SEE 11-2, FIG. 179B)							5199	1
236A	65-23382-5	. MARKER INSTL-ALUMINUM FOIL, PITOT STATIC TEST FITTING DRAIN (SEE 11-2, FIG. 178)							5199	RF
237	65-19867-21	. TUBE INSTL, PITOT PRESSURE (LH) (SEE FIG. 33)							5199	1
238	65-19867-22	. TUBE INSTL, PITOT PRESSURE (RH) (SEE FIG. 33)							5199	1
240A	65-51161-1	. TUBING INSTL, PILOTS MAIN INSTRUMENT PANEL (SEE FIG. 19X)							5199	1
	65-61526-1	. MANIFOLD INSTL, PILOTS MAIN INSTRUMENT PANEL							5199	1
	65-61526-2	. MANIFOLD INSTL, COPILOTS MAIN INSTRUMENT PANEL							5199	1
242A	69-48866-3	. TUBE ASSY							5199	1
247	AN924-GD	. WASHER							5199	1
248	AN960PD916	. WASHER							5199	1
249		TUBING INSTL, FLIGHT RECORDER (FOR REF SEE 34-7, FIG. 11B AND 11C)							5199	RF

MISSING ITEM NUMBERS ARE NOT APPLICABLE



PARTS CATALOG

FIGURE & ITEM NO.	MANUFACTURER'S PART NUMBER	NOMENCLATURE	EFF	UNITS
			FROM TO	PER ASSY
30E	50-8796	TUBING INSTL, SECTION 52 PITOT STATIC (SEE 53-1, FIG. 1, ITEM 22)	0150	RF
R		1, HOSE ASSY	0150	1
R	BACH30BC040276	HOSE ASSY	0150	1
R	BACH30BC060082	HOSE ASSY	0150	1
R	2A BACH30BC060082	HOSE ASSY	0150	1
R	3 BACH30BC060092	HOSE ASSY	0150	1
R	4 BACH30BC060094	HOSE ASSY	0150	1
R	5 BACH30BC060104	HOSE ASSY	0150	1
R	5A BACH30BC040070	HOSE ASSY	0150	1
R	6 BACH30BC040294	HOSE ASSY	0150	1
R	7 BACH30BC060204	HOSE ASSY	0150	1
R	8 BACH30BC060360	HOSE ASSY	0150	1
R	9 BACH30BC060370	HOSE ASSY	0150	1
R	10 BACH30BC060130	HOSE ASSY	0150	1
R	11 BACH30BC040096	HOSE ASSY	0150	1
R	12 BACH30BC040102	HOSE ASSY	0150	1
R	13 BACH30BC040106	HOSE ASSY, (DELETED BY RAF MOD 7211.019-171)	0150	1
R	13A BACH30BC060146	HOSE ASSY, (DELETED BY RAF MOD 7211.019-171)	0150	1
R	13B BACH30BC040106	HOSE ASSY, (ADDED BY RAF MOD 7211.019-171)	0150	1
R	13C BACH30BC060146	HOSE ASSY, (ADDED BY RAF MOD 7211.019-171)	0150	1
R	14 BACH30BC040252	HOSE ASSY	0150	1
R	15 BACH30BC040254	HOSE ASSY	0150	1
R	16 BACH30BC050094	HOSE ASSY	0150	1
R	17 50-8796-308	TUBE ASSY, PITOT PRESSURE 1/4 IN. .035 6061-T6.	0150	1
R	18 50-8796-356	TUBE ASSY, PITOT PRESSURE 1/4 IN. .035 6061-T6.	0150	1
R	BACSL3AP4	SLEEVE	0150	2
R	MSZ1921D4	NUT	0150	2
R	19 50-8796-333	TUBE ASSY, STATIC PRESSURE 3/8 IN. .035 6061-T6	0150	1
R	20 50-8796-442	TUBE ASSY, STATIC PRESSURE 3/8 IN. .035 6061-T6	0150	1
R	21 50-8796-13	TUBE ASSY, STATIC PRESSURE 3/8 IN. .035 6061-T6	0150	1
R	22 50-8796-20	TUBE ASSY, STATIC PRESSURE 3/8 IN. .035 6061-T6	0150	1
R	23 50-8796-338	TUBE ASSY, STATIC PRESSURE 3/8 IN. .035 6061-T6	0150	1
R	24 50-8796-25	TUBE ASSY, STATIC PRESSURE 3/8 IN. .035 6061-T6	0150	1
R	25 50-8796-416	TUBE ASSY, PITOT PRESSURE 3/8 IN. .035 6061-T6.	0150	1
R	26 50-8796-331	TUBE ASSY, PITOT PRESSURE 3/8 IN. .035 6061-T6.	0150	1
R	27 50-8796-533	TUBE ASSY, PITOT PRESSURE 3/8 IN. .035 6061-T6.	0150	1
R	28 50-8796-528	TUBE ASSY, PITOT PRESSURE 3/8 IN. .035 6061-T6.	0150	1
R	29 50-8796-480	TUBE ASSY, PITOT PRESSURE 3/8 IN. .035 6061-T6.	0150	1
R	30 50-8796-730	TUBE ASSY, PITOT PRESSURE 3/8 IN. .035 6061-T6.	0150	1
R	31 50-8796-731	TUBE ASSY, PITOT PRESSURE 3/8 IN. .035 6061-T6.	0150	1
R	32 50-8796-732	TUBE ASSY, PITOT PRESSURE 3/8 IN. .035 6061-T6.	0150	1
R	33 50-8796-1012	TUBE ASSY, PITOT PRESSURE 3/8 IN. .035 6061-T6.	0150	1
R	34 50-8796-755	TUBE ASSY, PITOT PRESSURE 3/8 IN. .035 6061-T6.	0150	1
R	35 50-8796-142	TUBE ASSY, STATIC PRESSURE 3/8 IN. .035 6061-T6	0150	1
R	36 50-8796-441	TUBE ASSY, STATIC PRESSURE 3/8 IN. .035 6061-T6	0150	1
R	37 50-8796-14	TUBE ASSY, STATIC PRESSURE 3/8 IN. .035 6061-T6	0150	1
R	38 50-8796-349	TUBE ASSY, STATIC PRESSURE 3/8 IN. .035 6061-T6	0150	1
R	39 50-8796-337	TUBE ASSY, STATIC PRESSURE 3/8 IN. .035 6061-T6	0150	1
R	40 50-8796-735	TUBE ASSY, STATIC PRESSURE 3/8 IN. .035 6061-T6	0150	1
R	41 50-8796-736	TUBE ASSY, STATIC PRESSURE 3/8 IN. .035 6061-T6	0150	1
R	42 50-8796-754	TUBE ASSY, STATIC PRESSURE 3/8 IN. .035 6061-T6	0150	1
R	43 50-8796-757	TUBE ASSY, STATIC PRESSURE 3/8 IN. .035 6061-T6	0150	1
R	44 50-8796-417	TUBE ASSY, PITOT PRESSURE 3/8 IN. .035 6061-T6.	0150	1
R	45 50-8796-140	TUBE ASSY, PITOT PRESSURE 3/8 IN. .035 6061-T6.	0150	1
R	46 50-8796-766	TUBE ASSY, PITOT PRESSURE 3/8 IN. .035 6061-T6.	0150	1
R	47 50-8796-739	TUBE ASSY, PITOT PRESSURE 3/8 IN. .035 6061-T6.	0150	1
R	48 50-8796-740	TUBE ASSY, PITOT PRESSURE 3/8 IN. .035 6061-T6.	0150	1
R	49 50-8796-741	TUBE ASSY, PITOT PRESSURE 3/8 IN. .035 6061-T6.	0150	1
R	50 50-8796-742	TUBE ASSY, PITOT PRESSURE 3/8 IN. .035 6061-T6.	0150	1
R	51 50-8796-1013	TUBE ASSY, PITOT PRESSURE 3/8 IN. .035 6061-T6.	0150	1
R	52 50-8796-756	TUBE ASSY, PITOT PRESSURE 3/8 IN. .035 6061-T6.	0150	1
R	53 50-8796-380	TUBE ASSY, STATIC PRESSURE 3/8 IN. .035 6061-T6	0150	1
R	54 50-8796-314	TUBE ASSY, STATIC PRESSURE 3/8 IN. .035 6061-T6	0150	1
R	55 50-8796-336	TUBE ASSY, STATIC PRESSURE 3/8 IN. .035 6061-T6	0150	1
R	56 50-8796-745	TUBE ASSY, STATIC PRESSURE 3/8 IN. .035 6061-T6	0150	1
R	57 50-8796-746	TUBE ASSY, STATIC PRESSURE 3/8 IN. .035 6061-T6	0150	1
R	58 50-8796-768	TUBE ASSY, STATIC PRESSURE 3/8 IN. .035 6061-T6	0150	1
R	59 50-8796-758	TUBE ASSY, STATIC PRESSURE 3/8 IN. .035 6061-T6	0150	1
R	60 50-8796-335	TUBE ASSY, STATIC PRESSURE 3/8 IN. .035 6061-T6	0150	1
R	61 50-8796-166	TUBE ASSY, STATIC PRESSURE 3/8 IN. .035 6061-T6	0150	1
R	62 50-8796-87	TUBE ASSY, STATIC PRESSURE 3/8 IN. .035 6061-T6	0150	1
R	63 50-8796-457	TUBE ASSY, STATIC PRESSURE 3/8 IN. .035 6061-T6	0150	1
R	64 50-8796-303	TUBE ASSY, STATIC PRESSURE 3/8 IN. .035 6061-T6	0150	1
R	65 50-8796-304	TUBE ASSY, STATIC PRESSURE 3/8 IN. .035 6061-T6	0150	1

MISSING ITEM NUMBERS ARE NOT APPLICABLE

BOEING **707** Intercontinental 
PARTS CATALOG

FIGURE & ITEM NO.	MANUFACTURER'S PART NUMBER	NOMENCLATURE	EFF	UNITS
			FROM TO	PER ASSY
R 30E 66	50-8796-305	. TUBE ASSY, STATIC PRESSURE 3/8 IN. .035 6061-T6 . . .	0150	1
R 67	50-8796-306	. TUBE ASSY, STATIC PRESSURE 3/8 IN. .035 6061-T6 . . .	0150	1
R 68	50-8796-309	. TUBE ASSY, PITOT PRESSURE 3/8 IN. .035 6061-T6. . . .	0150	1
R 69	50-8796-310	. TUBE ASSY, PITOT PRESSURE 3/8 IN. .035 6061-T6. . . .	0150	1
R 70	50-8796-311	. TUBE ASSY, PITOT PRESSURE 3/8 IN. .035 6061-T6. . . .	0150	1
R 71	50-8796-307	. TUBE ASSY, STATIC PRESSURE 3/8 IN. .035 6061-T6 . . .	0150	1
R 72	50-8796-355	. TUBE ASSY, STATIC PRESSURE 3/8 IN. .035 6061-T6 . . .	0150	1
R 73	50-8796-351	. TUBE ASSY, STATIC PRESSURE 3/8 IN. .035 6061-T6 . . .	0150	1
R 74	50-8796-439	. TUBE ASSY, STATIC PRESSURE 3/8 IN. .035 6061-T6 . . .	0150	1
R 75	50-8796-399	. TUBE ASSY, PITOT PRESSURE 3/8 IN. .035 6061-T6. . . .	0150	1
R 76	50-8796-440	. TUBE ASSY, PITOT PRESSURE 3/8 IN. .035 6061-T6. . . .	0150	1
R	BACSL3AP6	. SLEEVE.	0150	2
R	MS21921D6	. NUT	0150	2
R 76A	TUBE	. TUBE ASSY, STATIC PRESSURE 3/8 IN. .035 6061-T6 . . . (ADDED BY RAF MOD 7211.019-171)	0150	1
R 76B	TUBE	. TUBE ASSY, PITOT PRESSURE 3/8 IN. .035 6061-T6. . . . (ADDED BY RAF MOD 7211.019-171)	0150	1
R 77	BACT16AS060604D	. TEE	0150	1
R 78	MS219046D	. ELBOW	0150	1
R 79	MS21905D6	. TEE	0150	16
R 79A	MS21905D6	. TEE, (DELETED BY RAF MOD 7211.019-171).	0150	1
R 79B	MS21905D6	. TEE, (ADDED BY RAF MOD 7211.019-171).	0150	1
R 80	MS21924D6	. TEE	0150	1
R 81	MS21902D4	. UNION	0150	4
R 82	MS21902D6	. UNION	0150	18
R 83	BACN18D4AD2	. NIPPLE	0150	1
R 84	BACN18D6AD2	. NIPPLE	0150	2
R 85	BACG20C18A	. GROMMET	0150	AR
R 86	MS21916D6-5	. REDUCER	0150	3
R 87	MS21916D6-4	. REDUCER	0150	4
R 87A	MS21916D6-4	. REDUCER	0150	2
R 88	MS21908D4	. ELBOW	0150	1
R 88A	BACE21AS0406D	. ELBOW	0150	1
R 89	BACE21AS0604D	. ELBOW, (DELETED BY RAF MOD 7211.019-171).	0150	1
R 89A	MS21904D6	. ELBOW, (ADDED BY RAF MOD 7211.019-171).	0150	1
R 90	BACE21AS0604D	. ELBOW	0150	2
R 91	MS21907D4	. ELBOW	0150	2
R 92	MS21907D6	. ELBOW	0150	5
R 93	MS21908D6	. ELBOW	0150	9
R 93A	MS21902D6	. ADAPTOR, (ADDED BY RAF MOD 7211.019-171).	0150	1
R 94	MS28778-4	. PACKING	0150	10
R 95	MS28778-5	. PACKING	0150	2
R 96	MS28778-6	. PACKING	0150	8
R 97	AN960D716	. WASHER.	0150	1
R 98	AN960D916	. WASHER.	0150	12
R 99	AN960PD916L	. WASHER.	0150	1
R 100	MS28777-4	. RING.	0150	3
R 101	MS28777-6	. RING.	0150	2
R 102	AN6289D4	. NUT	0150	3
R 103	AN6289D6	. NUT	0150	2
R 104	AN924-4D	. NUT	0150	1
R 105	AN924-6D	. NUT	0150	13
R 106	AN814D4	. PLUG.	0150	1
R 107	AN814D6	. PLUG.	0150	1
R 108	MS21913D6	. PLUG.	0150	7
R 109	BACC14H6LD	. CAP	0150	2
R 110	40006-1A44	. PLUG, QUICK DISCONNECT PITOT (V31441)	0150	2
R 111	40006-1B46	. PLUG, QUICK DISCONNECT STATIC (V31441).	0150	2
R 112	40007-A44E	. RECEPTACLE, QUICK DISCONNECT (V01547)	0150	2
R 113	40007-846E	. RECEPTACLE, QUICK DISCONNECT (V01547)	0150	2
R 114	69-17953-1	. MARKER INSTL-ALUMINUM FOIL, PITOT-STATIC DRAIN (SEE 11-2, FIG. 179C)	0150	1
R 114A	69-17953-4	. MARKER INSTL-ALUMINUM FOIL, PITOT-STATIC DRAIN (SEE 11-2, FIG. 179C)	0150	1
R 115	65-19867-21	. TUBE INSTL, PITOT PRESSURE (LH) (SEE FIG. 33)	0150	1
R 116	65-19867-22	. TUBE INSTL, PITOT PRESSURE (RH) (SEE FIG. 33)	0150	1
R 117	65-51161-1	. TUBING INSTL, PILOTS MAIN INSTRUMENT PANEL (SEE FIG. 14J AND FIG. 14P)	0150	1
R 118	65-51161-2	. TUBING INSTL, COPILOTS MAIN INSTRUMENT PANEL (SEE . . FIG. 14J AND FIG. 14P)	0150	1

MISSING ITEM NUMBERS ARE NOT APPLICABLE

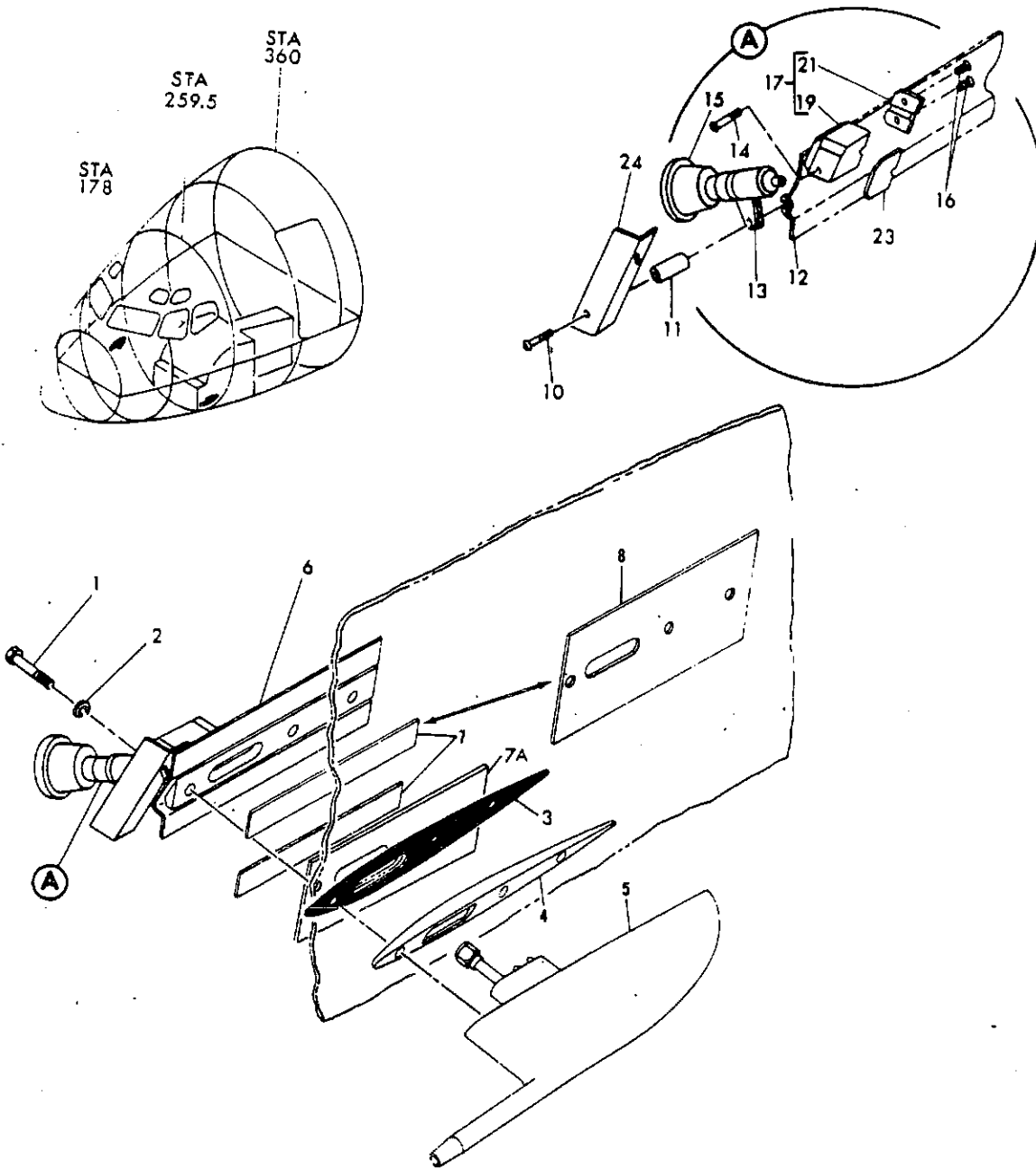


FIGURE 33. TUBE INSTL, PITOT PRESSURE (LH)



PARTS CATALOG

FIGURE & ITEM NO.	MANUFACTURER'S PART NUMBER	NOMENCLATURE							EFF FROM TO	UNITS PER ASSY
		1	2	3	4	5	6	7		
33	65-19867-21	TUBE INSTL, PITOT PRESSURE (LH) (SEE FIG. 25, ITEM 106, FIG. 25A, ITEM 108, FIG. 29D, ITEM 97, FIG. 29E, ITEM 237, FIG. 30C, ITEM 99, FIG. 30D, ITEM 90, FIG. 30E, ITEM 115 AND FIG. 30H, ITEM 143)								RF
	65-19867-22	TUBE INSTL, PITOT PRESSURE (RH) (SEE FIG. 25, ITEM 107, FIG. 25A, ITEM 109, FIG. 29D, ITEM 98, FIG. 29E, ITEM 238, FIG. 30C, ITEM 100, FIG. 30D, ITEM 91, FIG. 30E, ITEM 116 AND FIG. 30H, ITEM 144)								RF
	1 AN4CH12A	. BOLT.								3
	2 MS35337-44	. WASHER.								3
	3 66-1093	. GASKET, PITOT TUBE. (OPTIONAL TO 66-1093-4)								1
	3 66-1093-4	. GASKET, PITOT TUBE. (OPTIONAL 66-1093)								1
	4 66-1092-1	. WEDGE, TUBE MOUNTING (LH ONLY).								1
	4 66-1092-2	. WEDGE, TUBE MOUNTING (RH ONLY).								1
	5 10-60702-4	. TUBE, ELECTRICALLY HEATED								1
	6 69-1310-11	. BRACKET ASSY, PITOT TUBE SUPPORT (LH ONLY).								1
6 69-1310-12	. BRACKET ASSY, SUPPORT (RH ONLY)								1	
	MS20426D5	ATTACHING PARTS . RIVET								12
7	65-19867-3	. FILLER, PITOT PRESSURE TUBE								2

MISSING ITEM NUMBERS ARE NOT APPLICABLE

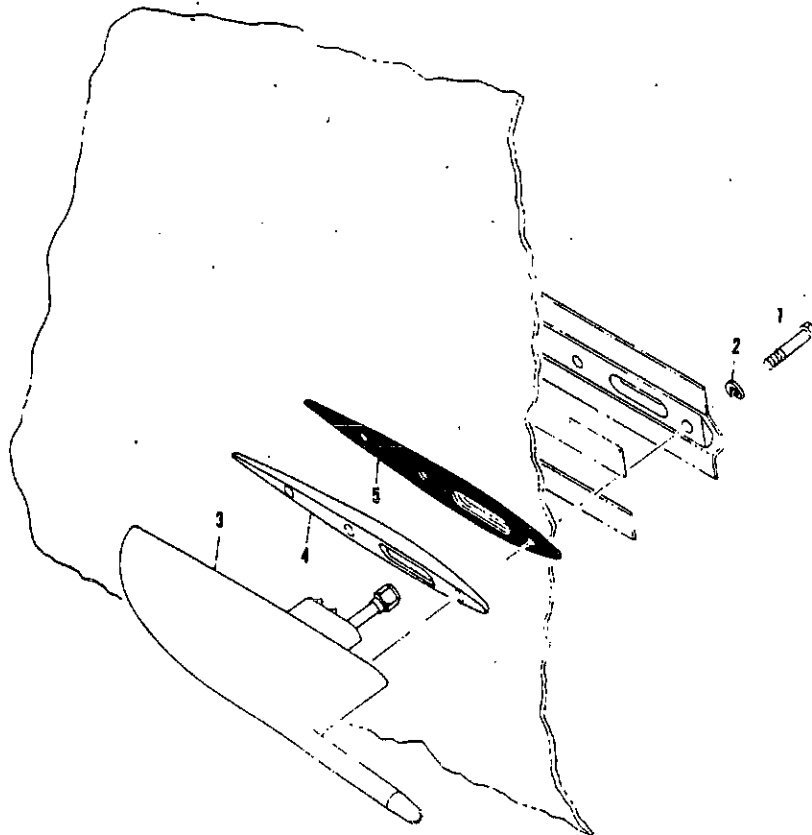
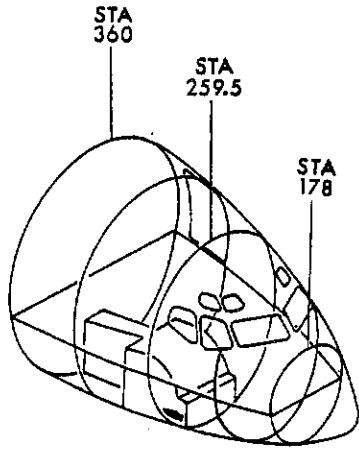


FIGURE 34. TUBE INSTL, THIRD PITOT-STATIC PRESSURE RH



PARTS CATALOG

FIGURE & ITEM NO.	MANUFACTURER'S PART NUMBER	1 2 3 4 5 6 7	NOMENCLATURE	EFF	UNITS
				FROM TO	PER ASSY
R R R R R R R	34	65-22846-7	TUBE INSTL, THIRD PITOT PRESSURE RH (SEE 34-7, FIG. . . . 11B, ITEM 31 AND 34-7, FIG. 11C, ITEM 57)	0150	RF
	1	AN4CH12A	. BOLT.	0150	3
	3	10-60702-4	. TUBE, ELECTRICALLY HEATED PITOT	0150	1
	4	66-1092-2	. WEDGE, TUBE MOUNTING.	0150	1
	5	66-1093	. GASKET, PITOT TUBE. (OPTIONAL TO 66-1093-4)	0150	1
	5	66-1093-4	. GASKET, PITOT TUBE. (OPTIONAL 66-1093)	0150	1
MISSING ITEM NUMBERS ARE NOT APPLICABLE					

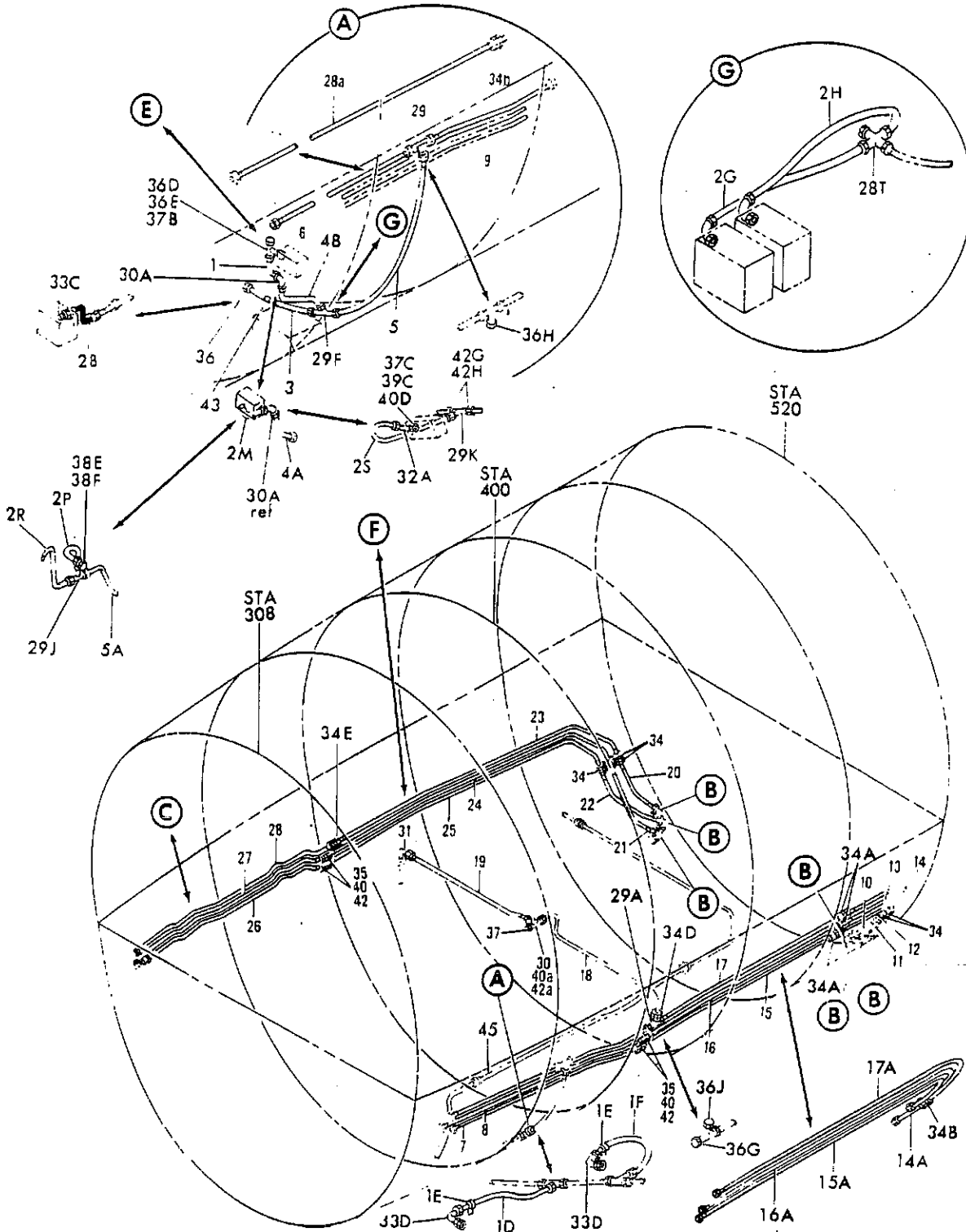
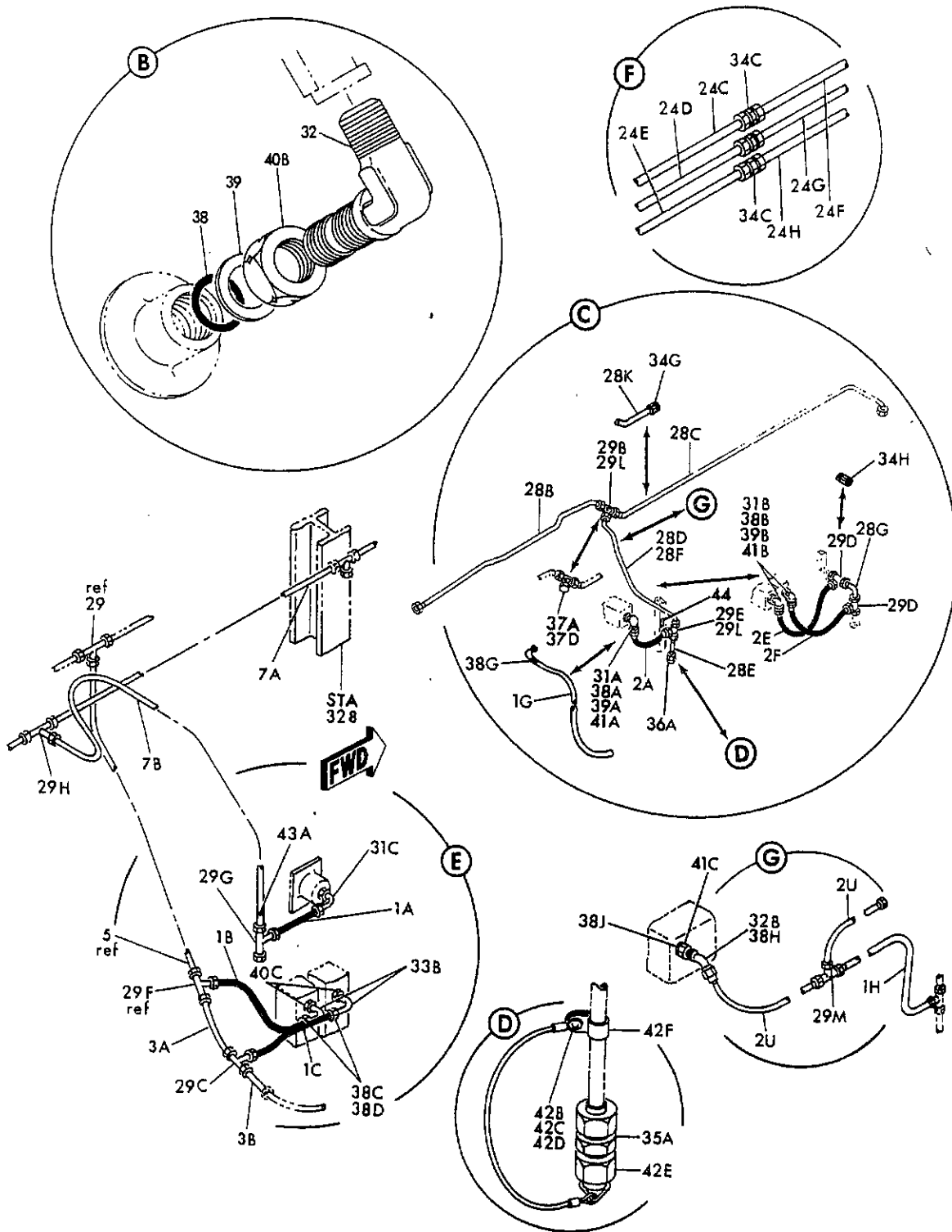


FIGURE 39. TUBING INSTL, SECTION 54 PITOT-STATIC (SHEET 1)





PARTS CATALOG

FIGURE & ITEM NO.	MANUFACTURER'S PART NUMBER	NOMENCLATURE							EFF FROM TO	UNITS PER ASSY
		1	2	3	4	5	6	7		
39	50-8796-57	TUBING INSTL, SECTION 54 PITOT-STATIC (SEE 53-1, FIG. 2, ITEM 27)							0150	RF
	50-8796-57	TUBING INSTL, SECTION 54 PITOT-STATIC (VARIABLE DWG;50-8796-5008) (SEE 53-1, FIG. 2, ITEM 27)							5199	RF
1	BACH30BC060152	. HOSE ASSY							0150	1
2M	BACH30BC060086	. HOSE ASSY							5199	1
3	50-8796-761	. TUBE ASSY, STATIC PRESSURE 3/8 IN. .035 6061-T6								1
4A	50-8796-763	. TUBE ASSY, STATIC PRESSURE 3/8 IN. .035 6061-T6								1
4B	50-8796-760	. TUBE ASSY, STATIC PRESSURE 3/8 IN. .035 6061-T6							5199	1
5	50-8796-759	. TUBE ASSY, STATIC PRESSURE 3/8 IN. .035 6061-T6							0150	1
6	50-8796-368	. TUBE ASSY, STATIC PRESSURE 3/8 IN. .035 6061-T6								1
7	50-8796-179	. TUBE ASSY, STATIC PRESSURE 3/8 IN. .035 6061-T6								1
8	50-8796-178	. TUBE ASSY, STATIC PRESSURE 3/8 IN. .035 6061-T6								1
9	50-8796-369	. TUBE ASSY, STATIC PRESSURE 3/8 IN. .035 6061-T6								1
10	50-8796-75	. TUBE ASSY, STATIC PRESSURE 3/8 IN. .035 6061-T6								1
11	50-8796-73	. TUBE ASSY, STATIC PRESSURE 3/8 IN. .035 6061-T6								1
12	50-8796-412	. TUBE ASSY, STATIC PRESSURE 3/8 IN. .035 6061-T6							0150	1
13	50-8796-411	. TUBE ASSY, STATIC PRESSURE 3/8 IN. .035 6061-T6							0150	1
14	50-8796-410	. TUBE ASSY, STATIC PRESSURE 3/8 IN. .035 6061-T6							0150	1
15	50-8796-391	. TUBE ASSY, STATIC PRESSURE 3/8 IN. .035 6061-T6							0150	1
16	50-8796-390	. TUBE ASSY, STATIC PRESSURE 3/8 IN. .035 6061-T6							0150	1
17	50-8796-389	. TUBE ASSY, STATIC PRESSURE 3/8 IN. .035 6061-T6							0150	1
20	50-8796-386	. TUBE ASSY, STATIC PRESSURE 3/8 IN. .035 6061-T6							0150	1
21	50-8796-321	. TUBE ASSY, STATIC PRESSURE 3/8 IN. .035 6061-T6								1
22	50-8796-320	. TUBE ASSY, STATIC PRESSURE 3/8 IN. .035 6061-T6								1
23	50-8796-386	. TUBE ASSY, STATIC PRESSURE 3/8 IN. .035 6061-T6							0150	1
24	50-8796-60	. TUBE ASSY, STATIC PRESSURE 3/8 IN. .035 6061-T6								1
25	50-8796-58	. TUBE ASSY, STATIC PRESSURE 3/8 IN. .035 6061-T6								1
26	50-8796-89	. TUBE ASSY, STATIC PRESSURE 3/8 IN. .035 6061-T6							5199	1
26	50-8796-475	. TUBE ASSY, STATIC PRESSURE 3/8 IN. .035 6061-T6							0150	1
27	50-8796-88	. TUBE ASSY, STATIC PRESSURE 3/8 IN. .035 6061-T6							5199	1
27	50-8796-474	. TUBE ASSY, STATIC PRESSURE 3/8 IN. .035 6061-T6							0150	1
28	50-8796-122	. TUBE ASSY, STATIC PRESSURE 3/8 IN. .035 6061-T6								1
	BACS13AP6	. SLEEVE								2
	MS21921D6	. NUT								2
28B	50-8796-524	. TUBE ASSY, STATIC PRESSURE 3/8 IN. .035 6061-T6							5199	1
28C	50-8796-436	. TUBE ASSY, STATIC PRESSURE 3/8 IN. .035 6061-T6							5199	1
	BACS13AP6	. SLEEVE								2
	MS21921D6	. NUT								2
29	MS21905D6	. TEE								1
29B	MS21905D6	. TEE							5199	1
29F	MS21905D6	. TEE								1
30A	MS21904D6	. ELBOW								1
32	MS21908D6	. ELBOW								6
34	MS21902D6	. UNION							0150	5
34A	MS21902D6	. UNION							0150	3
34D	MS21902D6	. UNION							0150	1
34E	MS21902D6	. UNION							0150	1
35	MS21924D6	. UNION								4
36	MS21913D6	. PLUG								1
36D	40007B46E	. RECEPTACLE, QUICK DISCONNECT (STATIC) (V31441)								1
36E	40006-1B46	. ADAPTER PLUG, QUICK DISCONNECT (STATIC) (V31441)								1
37A	BACC14H6LD	. CAP							5199	1
38	MS28778-6	. PACKING								6
39	MS28777-6	. RING								6
40	AN960D916	. WASHER								4
40B	AN6289D6	. NUT								6
42	AN924-6D	. NUT								4
43	69-54296-1	. SCOTCH-CAL INSTL, STATION 380 PITOT-STATIC DRAIN (SEE 11-2, FIG. 176)							5199	1
44	69-9046-1	. MARKER INSTL-ALUMINUM FOIL, STATIC DRAIN (SEE 11-2, FIG. 176)							0150	1

MISSING ITEM NUMBERS ARE NOT APPLICABLE

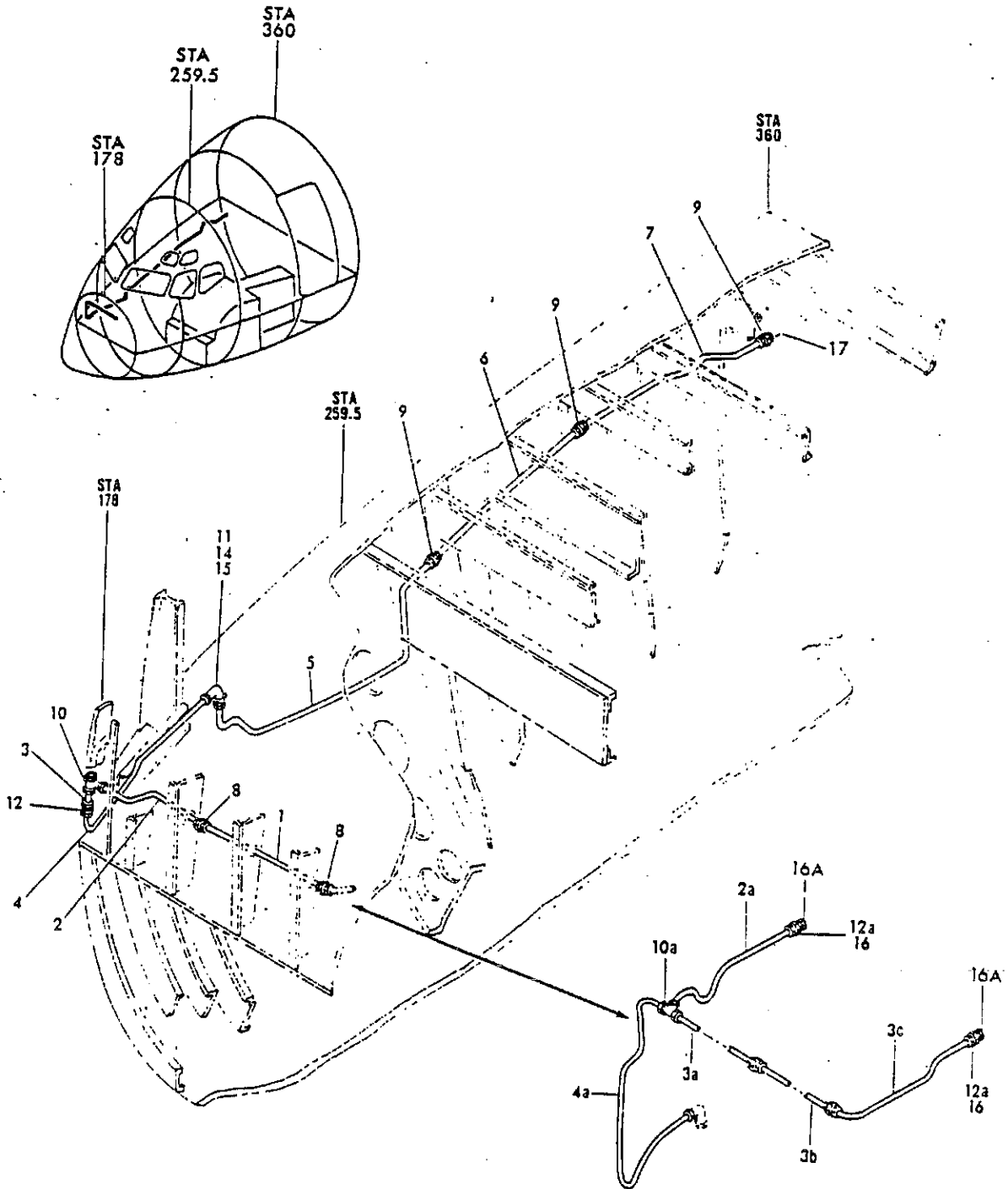


FIGURE 42. TUBING INSTL, SECTION 52 ALTERNATE STATIC SYSTEM



PARTS CATALOG

FIGURE & ITEM NO.	MANUFACTURER'S PART NUMBER	NOMENCLATURE							EFF FROM TO	UNITS PER ASSY	
		1	2	3	4	5	6	7			
R R R R R R R R R R R R R R R R R	42	65-6050-48	TUBING INSTL, SECTION 52 ALTERNATE STATIC SYSTEM (SEE 53-1, FIG. 1, ITEM 23)							5199	RF
	2A	65-6050-82	. TUBE ASSY, STATIC PRESSURE 5/16 IN. .035 6061-T6 . . .							5199	1
	3A	65-6050-77	. TUBE ASSY, STATIC PRESSURE 5/16 IN. .035 6061-T6 . . .							5199	1
	3B	65-6050-74	. TUBE ASSY, STATIC PRESSURE 5/16 IN. .035 6061-T6 . . .							5199	1
	3C	65-6050-81	. TUBE ASSY, STATIC PRESSURE 5/16 IN. .035 6061-T6 . . .							5199	1
		BACSI3AP5	. . SLEEVE							5199	2
		MS21921D5	. . NUT							5199	2
	4A	65-6050-83	. TUBE ASSY, STATIC PRESSURE 3/8 IN. .035 6061-T6 . . .							5199	1
	5	65-6050-6	. TUBE ASSY, STATIC PRESSURE 3/8 .035 6061-T6							5199	1
	6	65-6050-7	. TUBE ASSY, STATIC PRESSURE 3/8 .035 6061-T6							5199	1
	7	65-6050-79	. TUBE ASSY, STATIC PRESSURE 3/8 IN. .035 6061-T6 . . .							5199	1
		BACSI3AP6	. . SLEEVE							5199	2
		MS21921D6	. . NUT							5199	2
	9	MS21902D6	. UNION							5199	3
	10A	BACT16AS060505	. TEE							5199	1
	11	MS21908D6	. ELBOW							5199	1
	12A	MS21916D5-4	. REDUCER							5199	2
14	AN960PD916L	. WASHER							5199	2	
15	AN924-6D	. NUT							5199	1	
17		TUBING INSTL, SECTION 54 ALTERNATE STATIC SYSTEM (FOR REF SEE FIG. 43)							5199	RF	

MISSING ITEM NUMBERS ARE NOT APPLICABLE

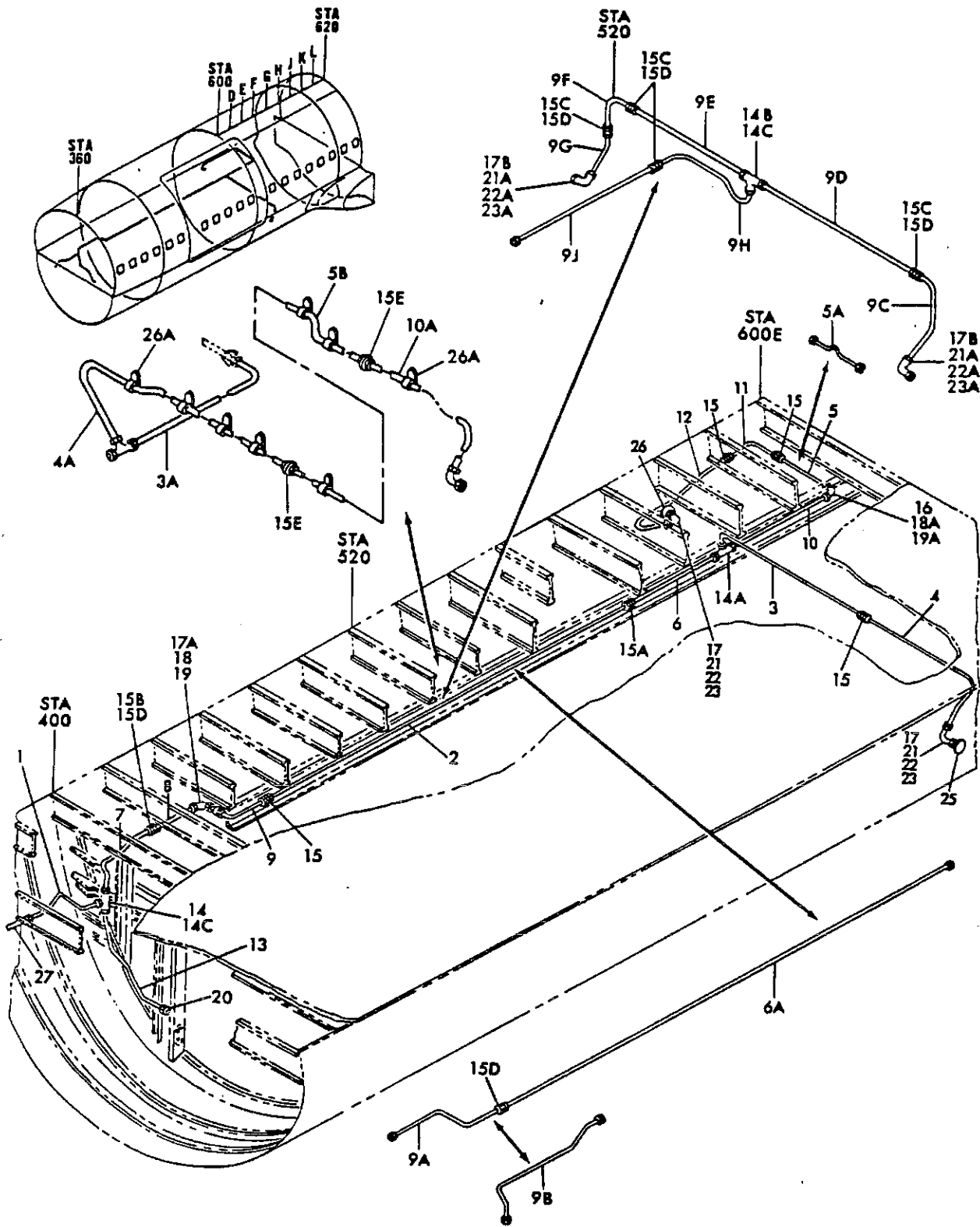


FIGURE 43. TUBING INSTL, SECTION 54 ALTERNATE STATIC SYSTEM



PARTS CATALOG

FIGURE & ITEM NO.	MANUFACTURER'S PART NUMBER	NOMENCLATURE	EFF	UNITS
			FROM TO	PER ASSY
R R	43	TUBING INSTL, SECTION 54 ALTERNATE STATIC SYSTEM (SEE 53-1, FIG. 2, ITEM 56)	5199	RF
	1	65-6050-78 . TUBE ASSY, STATIC PRESSURE 3/8 IN. .035 6061-T6 . . .	5199	1
	3	65-6050-70 . TUBE ASSY, STATIC PRESSURE 3/8 IN. .035 6061-T6 . . .	5199	1
	4	65-6050-71 . TUBE ASSY, STATIC PRESSURE 3/8 IN. .035 6061-T6 . . .	5199	1
	5	65-6050-16 . TUBE ASSY, STATIC PRESSURE 3/8 IN. .035 6061-T6 . . .	5151	1
	5A	65-6050-98 . TUBE ASSY, STATIC PRESSURE 3/8 .035 6061-T6 . . .	5299	1
	6A	65-6050-54 . TUBE ASSY, STATIC PRESSURE 3/8 IN. .035 6061-T6 . . .	5199	1
	7	65-6050-52 . TUBE ASSY, STATIC PRESSURE 3/8 IN. .035 6061-T6 . . .	5199	1
	9A	65-6050-53 . TUBE ASSY, STATIC PRESSURE 3/8 IN. .035 6061-T6 . . .	5199	1
	10	65-6050-35 . TUBE ASSY, STATIC PRESSURE 3/8 IN. .035 6061-T6 . . .	5199	1
	11	65-6050-36 . TUBE ASSY, STATIC PRESSURE 3/8 IN. .035 6061-T6 . . .	5151	1
	11	65-6050-97 . TUBE ASSY, STATIC PRESSURE 3/8 IN. .035 6061-T6 . . .	5299	1
	12	65-6050-57 . TUBE ASSY, STATIC PRESSURE 3/8 IN. .035 6061-T6 . . .	5199	1
	13	65-6050-80 . TUBE ASSY, STATIC PRESSURE 3/8 IN. .035 6061-T6 . . .	5199	1
		BAC513AP6 . . . SLEEVE	5199	2
		MS21921D6 . . . NUT	5199	2
	14	MS21905D6 . . . TEE	5199	1
	14A	MS21909D6 . . . TEE	5199	1
	15	MS21902D6 . . . UNION	5199	4
	15B	MS21902D6 . . . UNION	5199	1
	16	MS21908D6 . . . ELBOW	5199	1
	17	MS21908D6 . . . ELBOW	5199	2
	18A	AN9600916 . . . WASHER	5199	1
	19A	AN924-6D . . . NUT	5199	1
	20	40009-2 . . . CAP ASSY, (V31441)	5199	1
	21	MS28777-6 . . . RING	5199	2
	22	MS28778-6 . . . PACKING	5199	2
23	AN6289D6 . . . NUT	5199	2	
	69-9046-1 . . . MARKER INSTL-ALUMINUM FOIL, STATIC DRAIN (SEE 11-2, FIG. 177)	5199	1	
27	TUBING INSTL, SECT 52 ALTERNATE STATIC SYSTEM (FOR REF SEE FIG. 42)	5199	RF	

MISSING ITEM NUMBERS ARE NOT APPLICABLE

BOEING *707*
Intercontinental 
PARTS CATALOG

SECTION 07
FLIGHT RECORDER

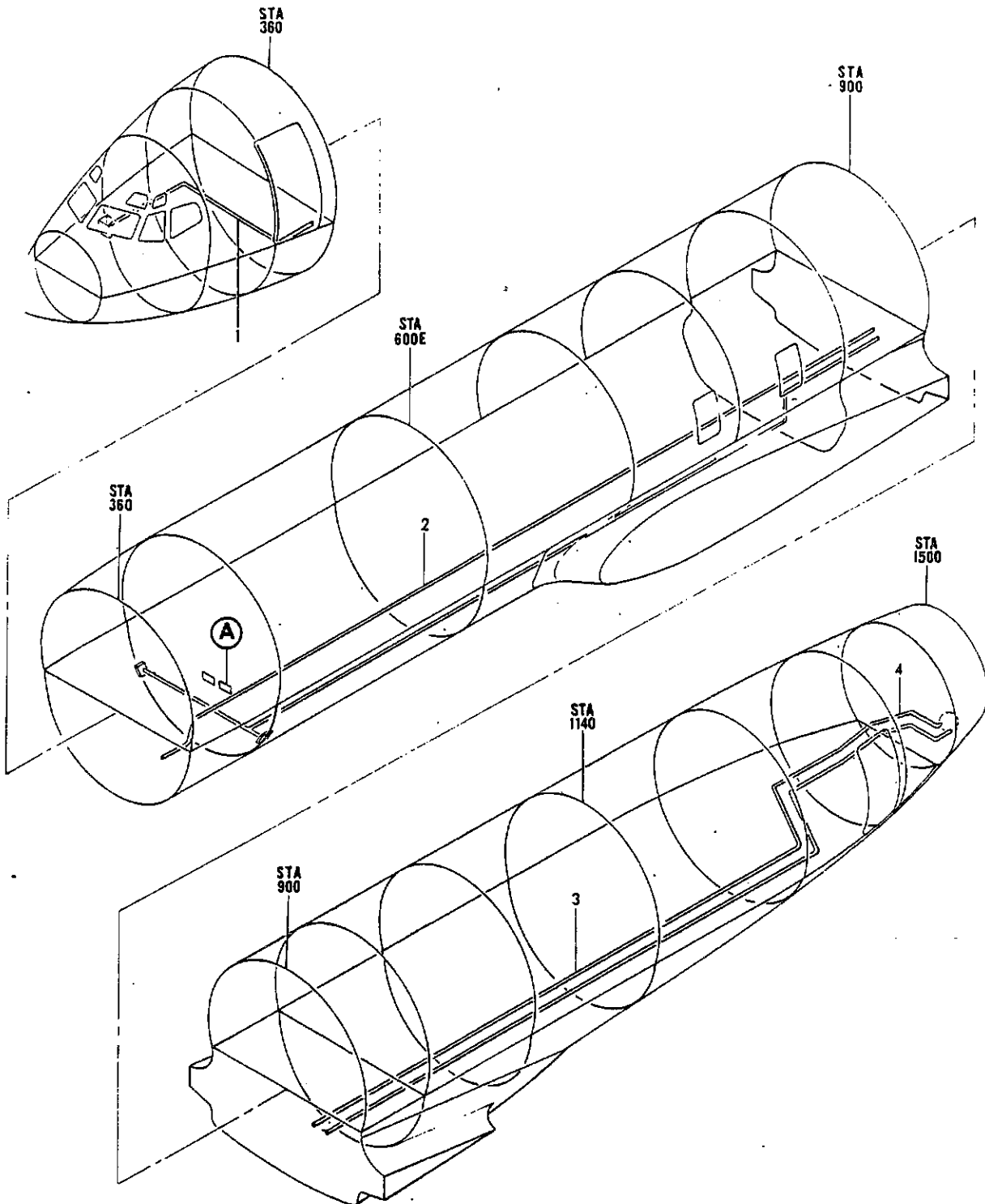


FIGURE 1A. RECORDER SYSTEM INSTL, LOCKHEED AIRCRAFT SERVICE FLIGHT AND ARINC FLIGHT (SHEET 1)

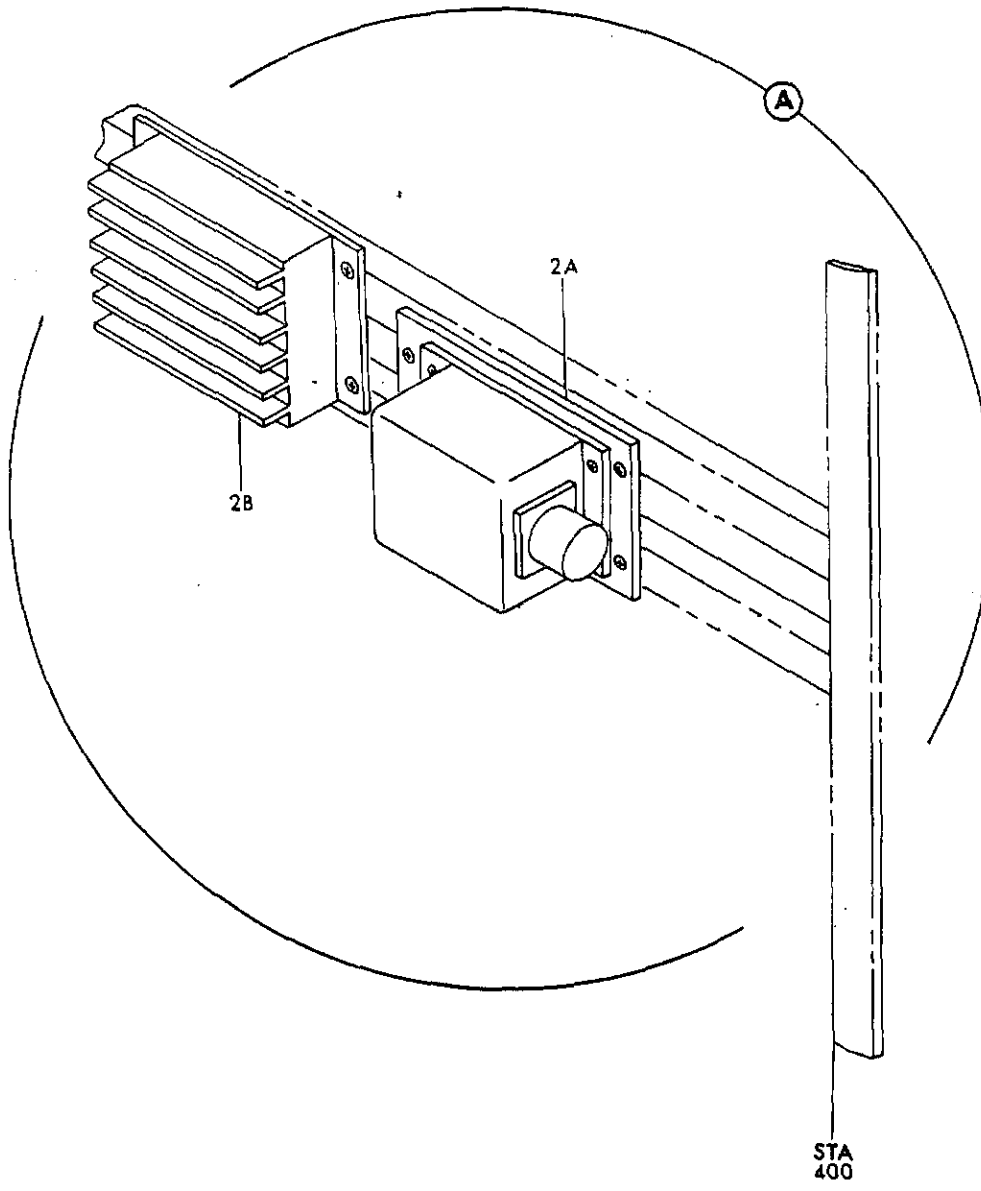
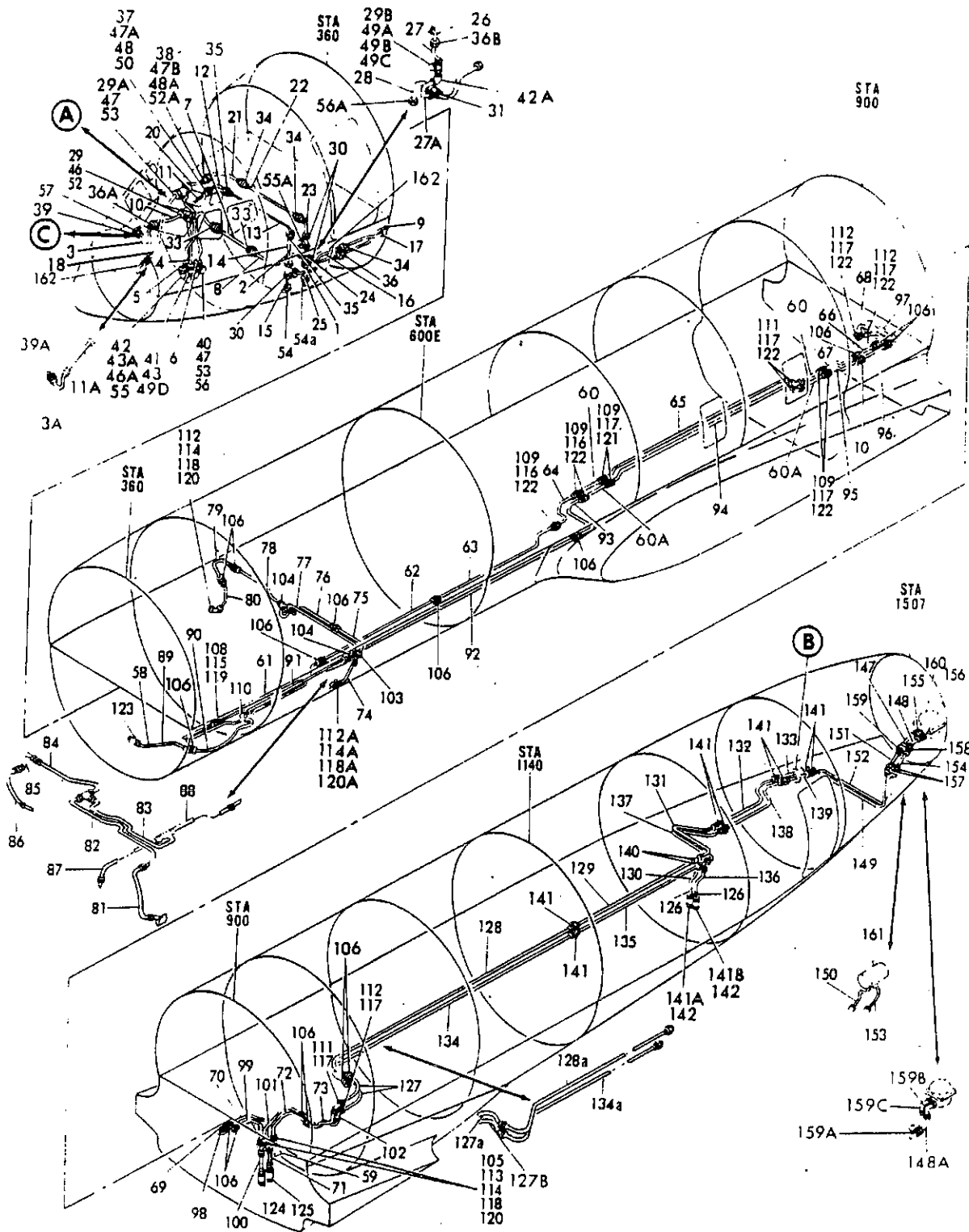


FIGURE 1A. RECORDER SYSTEM INSTL, LOCKHEED AIRCRAFT SERVICE FLIGHT AND ARINC FLIGHT (SHEET 2)



PARTS CATALOG

FIGURE & ITEM NO.	MANUFACTURER'S PART NUMBER	1 2 3 4 5 6 7	NOMENCLATURE	EFF	UNITS	
				FROM TO	PER ASSY	
R R R R R R R R R R R R	1A		RECORDER SYSTEM INSTL, LOCKHEED AIRCRAFT SERVICE FLIGHT AND ARINC FLIGHT	0150		
		69-9816-8	. RECORDER SYSTEM INSTL, SECTION 52 LOCKHEED AIRCRAFT SERVICE FLIGHT (SEE 53-1, FIG. 1, ITEM 39)	0150	RF	
	1	65-60991-1	. . TUBING INSTL, SECTION 52 FLIGHT RECORDER PITOT-STATIC (SEE FIG. 11B AND FIG. 11C)	0150	1	
		69-9816-9	. RECORDER SYSTEM INSTL, SECTION 34 LOCKHEED AIRCRAFT SERVICE FLIGHT (SEE 53-1, FIG. 2, ITEM 51)	0150	RF	
	2	65-60991-2	. . TUBING INSTL, SECTION 54 FLIGHT RECORDER PITOT-STATIC (SEE FIG. 11B AND FIG. 11C)	0150	1	
		69-9816-10	. RECORDER SYSTEM INSTL, SECTION 57 LOCKHEED AIRCRAFT SERVICE FLIGHT (SEE 53-1, FIG. 3, ITEM 29)	0150	RF	
	3	65-60991-3	. . TUBING INSTL, SECTION 57 FLIGHT RECORDER PITOT-STATIC (SEE FIG. 11B AND FIG. 11C)	0150	1	
		69-9816-11	. RECORDER SYSTEM INSTL, STATION 58 LOCKHEED AIRCRAFT SERVICE FLIGHT (SEE 53-1, FIG. 4, ITEM 22)	0150	RF	
	4	65-60991-4	. . TUBING INSTL, SECTION 58 FLIGHT RECORDER PITOT-STATIC (SEE FIG. 11B AND FIG. 11C)	0150	1	
	MISSING ITEM NUMBERS ARE NOT APPLICABLE					



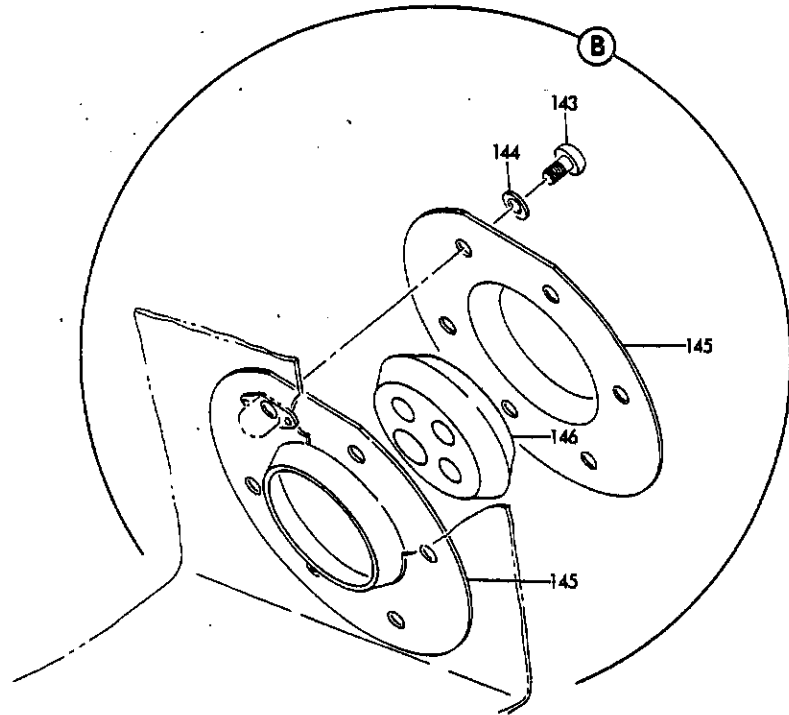
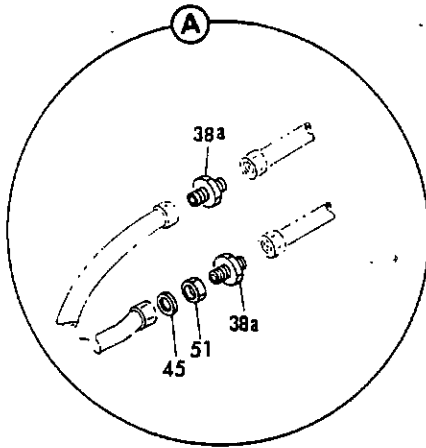
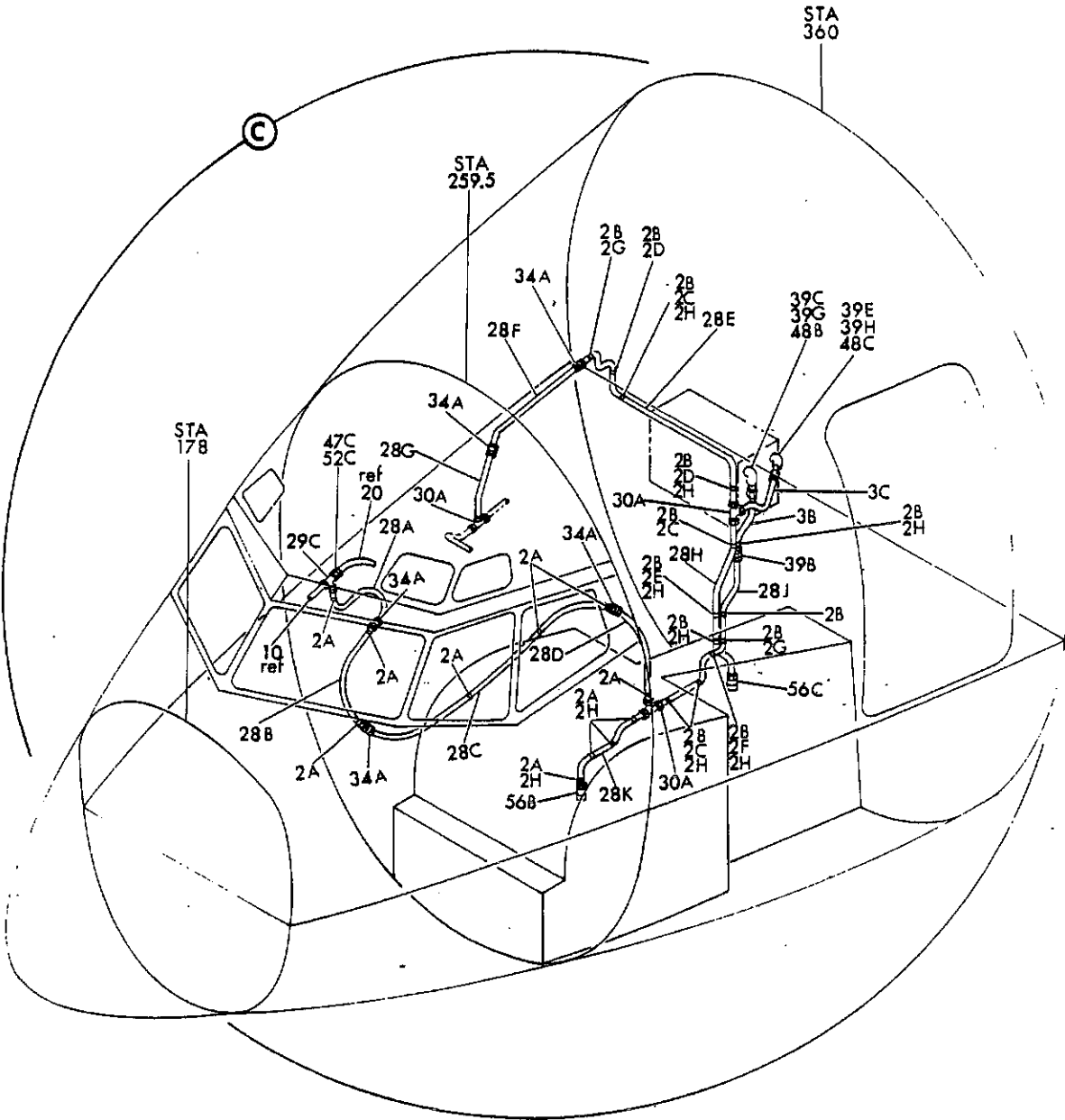


FIGURE IIC. TUBING INSTL. FLIGHT RECORDER PITOT-STATIC (SHEET 2)





PARTS CATALOG

FIGURE & ITEM NO.	MANUFACTURER'S PART NUMBER	NOMENCLATURE	EFF	UNITS
			FROM TO	PER ASSY
11C		TUBING INSTL, FLIGHT RECORDER PITOT-STATIC		
R	65-60991-1	. TUBING INSTL, SECTION 52 FLIGHT RECORDER PITOT-STATIC (SEE FIG. 1A, ITEM 1)	0150	RF
R	65-60991-1	. TUBING INSTL, SECTION 52 FLIGHT RECORDER PITOT-STATIC (SEE 34-6, FIG. 29E, ITEM 102A)	5199	RF
R	1 69-47924-7	. . SCOTCH-CAL INSTL, STATION 312 DRAIN (SEE 11-2, FIG. 179)	0150	1
R	2 69-17953-5	. . MARKER INSTL-ALUMINUM FOIL, STATION 312 DRAIN (SEE 11-2, FIG. 179)	0150	1
R	3 BACH30BC060104	. . HOSE ASSY	0103	1
R	3 BACH30BC06-0120	. . HOSE ASSY	5199	1
R	3 BACH30BC060126	. . HOSE ASSY	0450	1
R	11A 65-60991-69	. . TUBE ASSY, PITOT PRESSURE 3/8 IN. .035 6061-T6.		1
R	14 65-60991-147	. . TUBE ASSY, PITOT PRESSURE 3/8 IN. .035 6061-T6.	0150	1
R	15 65-60991-120	. . TUBE ASSY, PITOT PRESSURE 3/8 IN. .035 6061-T6.	0150	1
R	17 65-60991-93	. . TUBE ASSY, PITOT PRESSURE 3/8 IN. .035 6061-T6.	0150	1
R	20 65-60991-95	. . TUBE ASSY, PITOT PRESSURE 3/8 IN. .035 6061-T6.	0150	1
R	20 65-60991-67	. . TUBE ASSY, PITOT PRESSURE 3/8 IN. .035 6061-T6.	5199	1
R	21 65-60991-66	. . TUBE ASSY, PITOT PRESSURE 3/8 IN. .035 6061-T6.		1
R	22 65-60991-65	. . TUBE ASSY, PITOT PRESSURE 3/8 IN. .035 6061-T6.		1
R	23 65-60991-96	. . TUBE ASSY, PITOT PRESSURE 3/8 IN. .035 6061-T6.	0150	1
R	24 65-60991-97	. . TUBE ASSY, PITOT PRESSURE 3/8 IN. .035 6061-T6.	0150	1
R	26 65-60991-136	. . TUBE ASSY, PITOT PRESSURE 3/8 IN. .035 6061-T6.	5199	1
R	27 65-60991-135	. . TUBE ASSY, PITOT PRESSURE 3/8 IN. .035 6061-T6.	5199	1
R	27A 65-60991-134	. . TUBE ASSY, PITOT PRESSURE 3/8 IN. .035 6061-T6.	5199	1
R	28 65-60991-59	. . TUBE ASSY, PITOT PRESSURE 3/8 IN. .035 6061-T6.	5199	1
R	MS21921D6	. . NUT		2
R	BACS13AP6	. . SLEEVE		2
R	29B BACT16AW060604D	. . TEE	5199	1
R	30 MS21905D6	. . TEE	0150	3
R	31 MS21905D6	. . TEE	5199	1
R	34 MS21902D6	. . UNION		3
R	36A MS21902D6	. . UNION	0150	1
R	36B MS21902D6	. . UNION	5199	1
R	38 MS21924D6	. . UNION		1
R	39 MS21916D6-4	. . REDUCER	0150	1
R	42A BACE21AW06060D	. . ELBOW	5199	1
R	48A AN960P0916L	. . WASHER	0150	1
R	49A MS28778-4	. . PACKING	5199	1
R	49B MS28777-6	. . RING	5199	1
R	49C AN6289D4	. . NUT	5199	1
R	52A AN924-6D	. . NUT		1
R	54 MS21913D6	. . PLUG	5199	1
R	55A BACC14H6LD	. . CAP	0150	1
R	56A 40009-1	. . CAP ASSY, PITOT DRAIN (V31441).	5199	1
R	57 65-22846-7	. . TUBE INSTL, THIRD PITOT PRESSURE (RH) (SEE 34-6, FIG. 34)		1
R	65-60991-2	. TUBING INSTL, SECTION 54 FLIGHT RECORDER PITOT-STATIC (SEE FIG. 1A, ITEM 1A)	0150	RF
R	58 69-47924-5	. . SCOTCH-CAL INSTL, STATION 380 DRAIN (SEE 11-2, FIG. 179)	0150	1
R	59 69-17953-2	. . MARKER INSTL-ALUMINUM FOIL, LH MAIN WHEEL WELL. DRAIN (SEE 11-2, FIG. 179)	0150	1
R	60 BACH30JO60165	. . HOSE ASSY (OPTIONAL TO BACH30BC060166)	0150	2
R	60 BACH30BC060166	. . HOSE ASSY (OPTIONAL BACH30JO60165)	0150	2
R	60A BACH30BC060165	. . HOSE ASSY (OPTIONAL TO BACH30BC060166)	0150	2
R	60A BACH30BC060166	. . HOSE ASSY (OPTIONAL BACH30BC060165)	0150	2
R	62 65-60991-53	. . TUBE ASSY, PITOT PRESSURE 3/8 IN. .035 6061-T6.	0150	1
R	63 65-60991-47	. . TUBE ASSY, PITOT PRESSURE 3/8 IN. .035 6061-T6.	0150	1
R	64 65-60991-45	. . TUBE ASSY, PITOT PRESSURE 3/8 IN. .035 6061-T6.	0150	1
R	65 65-60991-7	. . TUBE ASSY, PITOT PRESSURE 3/8 IN. .035 6061-T6.	0150	1
R	66 65-60991-17	. . TUBE ASSY, PITOT PRESSURE 3/8 IN. .035 6061-T6.	0150	1
R	67 65-60991-15	. . TUBE ASSY, PITOT PRESSURE 3/8 IN. .035 6061-T6.	0150	1
R	68 65-60991-19	. . TUBE ASSY, PITOT PRESSURE 3/8 IN. .035 6061-T6.	0150	1
R	69 65-60991-21	. . TUBE ASSY, PITOT PRESSURE 3/8 IN. .035 6061-T6.	0150	1
R	70 65-60991-23	. . TUBE ASSY, PITOT PRESSURE 3/8 IN. .035 6061-T6.	0150	1
R	71 65-60991-25	. . TUBE ASSY, PITOT PRESSURE 3/8 IN. .035 6061-T6.	0150	1
R	72 65-60991-27	. . TUBE ASSY, PITOT PRESSURE 3/8 IN. .035 6061-T6.	0150	1
R	73 65-60991-29	. . TUBE ASSY, PITOT PRESSURE 3/8 IN. .035 6061-T6.	0150	1
R	74 65-60991-90	. . TUBE ASSY, STATIC PRESSURE 3/8 IN. .035 6061-T6.	0150	1

MISSING ITEM NUMBERS ARE NOT APPLICABLE



PARTS CATALOG

FIGURE & ITEM NO.	MANUFACTURER'S PART NUMBER	NOMENCLATURE							EFF FROM TO	UNITS PER ASSY
		1	2	3	4	5	6	7		
R 11C 75	65-60991-44	. .	TUBE ASSY, STATIC PRESSURE 3/8 IN. .035 6061-T6 . .						0150	1
R 76	65-60991-56	. .	TUBE ASSY, STATIC PRESSURE 3/8 IN. .035 6061-T6 . .						0150	1
R 77	65-60991-54	. .	TUBE ASSY, STATIC PRESSURE 3/8 IN. .035 6061-T6 . .						0150	1
R 78	65-60991-48	. .	TUBE ASSY, STATIC PRESSURE 3/8 IN. .035 6061-T6 . .						0150	1
R 79	65-60991-50	. .	TUBE ASSY, STATIC PRESSURE 3/8 IN. .035 6061-T6 . .						0150	1
R 80	65-60991-52	. .	TUBE ASSY, STATIC PRESSURE 3/8 IN. .035 6061-T6 . .						0150	1
R 89	65-60991-64	. .	TUBE ASSY, STATIC PRESSURE 3/8 IN. .035 6061-T6 . .						0150	1
R 90	65-60991-78	. .	TUBE ASSY, STATIC PRESSURE 3/8 IN. .035 6061-T6 . .						0150	1
R 91	65-60991-62	. .	TUBE ASSY, STATIC PRESSURE 3/8 IN. .035 6061-T6 . .						0150	1
R 92	65-60991-58	. .	TUBE ASSY, STATIC PRESSURE 3/8 IN. .035 6061-T6 . .						0150	1
R 93	65-60991-60	. .	TUBE ASSY, STATIC PRESSURE 3/8 IN. .035 6061-T6 . .						0150	1
R 94	65-60991-6	. .	TUBE ASSY, STATIC PRESSURE 3/8 IN. .035 6061-T6 . .						0150	1
R 95	65-60991-14	. .	TUBE ASSY, STATIC PRESSURE 3/8 IN. .035 6061-T6 . .						0150	1
R 96	65-60991-16	. .	TUBE ASSY, STATIC PRESSURE 3/8 IN. .035 6061-T6 . .						0150	1
R 97	65-60991-18	. .	TUBE ASSY, STATIC PRESSURE 3/8 IN. .035 6061-T6 . .						0150	1
R 98	65-60991-20	. .	TUBE ASSY, STATIC PRESSURE 3/8 IN. .035 6061-T6 . .						0150	1
R 99	65-60991-22	. .	TUBE ASSY, STATIC PRESSURE 3/8 IN. .035 6061-T6 . .						0150	1
R 100	65-60991-24	. .	TUBE ASSY, STATIC PRESSURE 3/8 IN. .035 6061-T6 . .						0150	1
R 101	65-60991-26	. .	TUBE ASSY, STATIC PRESSURE 3/8 IN. .035 6061-T6 . .						0150	1
R 102	65-60991-28	. .	TUBE ASSY, STATIC PRESSURE 3/8 IN. .035 6061-T6 . .						0150	1
R	MS21921D6	. .	NUT						0150	2
R	BACS13AP6	. .	SLEEVE						0150	2
R	104 MS21905D6	. .	TEE						0150	2
R	105 MS21910D6	. .	TEE						0150	2
R	106 MS21902D6	. .	UNION						0150	17
R	109 MS21924D6	. .	UNION						0150	7
R	110 MS21904D6	. .	ELBOW						0150	1
R	111 MS21907D6	. .	ELBOW						0150	3
R	112 MS21908D6	. .	ELBOW						0150	4
R	112A MS21908D6	. .	ELBOW						0150	1
R	113 MS21926D6	. .	ELBOW						0150	2
R	114 MS28778-6	. .	PACKING						0150	3
R	114A MS28778-6	. .	PACKING						0150	1
R	116 AN960D916	. .	WASHER						0150	3
R	117 AN960PD916	. .	WASHER						0150	10
R	118 MS28777-6	. .	RING						0150	3
R	118A MS28777-6	. .	RING						0150	1
R	120 AN6289D6	. .	NUT						0150	3
R	120A AN6289D6	. .	NUT						0150	1
R	121 AN924D6	. .	NUT						0150	2
R	122 AN924-6D	. .	NUT						0150	9
R	123 MS21913D6	. .	PLUG						0150	1
R	124 40009-2	. .	CAP ASSY, STATIC DRAIN (V31441)						0150	1
R	125 40009-1	. .	CAP ASSY, PITOT DRAIN (V31441)						0150	1
R	65-60991-3	. .	TUBING INSTL, SECTION 57 FLIGHT RECORDER PITOT-STATIC (SEE FIG. 1A, ITEM 3)						0150	RF
R	126 69-47924-6	. .	SCOTCH-CAL INSTL, STATION 1320 DRAIN (SEE 11-2, . . FIG. 179)						0150	1
R	127 BACH30BC060094	. .	HOSE ASSY						0150	2
R	128 65-60991-43	. .	TUBE ASSY, PITOT PRESSURE 3/8 IN. .035 6061-T6 . .						0150	1
R	129 65-60991-41	. .	TUBE ASSY, PITOT PRESSURE 3/8 IN. .035 6061-T6 . .						0150	1
R	130 65-60991-81	. .	TUBE ASSY, PITOT PRESSURE 3/8 IN. .035 6061-T6 . .						0150	1
R	131 65-60991-39	. .	TUBE ASSY, PITOT PRESSURE 3/8 IN. .035 6061-T6 . .						0150	1
R	132 65-60991-37	. .	TUBE ASSY, PITOT PRESSURE 3/8 IN. .035 6061-T6 . .						0150	1
R	133 65-60991-159	. .	TUBE ASSY, PITOT PRESSURE 3/8 IN. .035 6061-T6 . .						0150	1
R	134 65-60991-42	. .	TUBE ASSY, STATIC PRESSURE 3/8 IN. .035 6061-T6 . .						0150	1
R	135 65-60991-40	. .	TUBE ASSY, STATIC PRESSURE 3/8 IN. .035 6061-T6 . .						0150	1
R	136 65-60991-82	. .	TUBE ASSY, STATIC PRESSURE 3/8 IN. .035 6061-T6 . .						0150	1
R	137 65-60991-38	. .	TUBE ASSY, STATIC PRESSURE 3/8 IN. .035 6061-T6 . .						0150	1
R	138 65-60991-36	. .	TUBE ASSY, STATIC PRESSURE 3/8 IN. .035 6061-T6 . .						0150	1
R	139 65-60991-160	. .	TUBE ASSY, STATIC PRESSURE 3/8 IN. .035 6061-T6 . .						0150	1
R	MS21921D6	. .	NUT						0150	2
R	BACS13AP6	. .	SLEEVE						0150	2
R	140 MS21905D6	. .	TEE						0150	2
R	141 MS21902D6	. .	UNION						0150	8
R	141A 40009-1	. .	CAP ASSY, (V31441)						5199	1
R	141B 40009-2	. .	CAP ASSY, (V31441)						5199	1
R	142 MS21913D6	. .	PLUG, DRAIN						0150	2
R	65-60991-4	. .	TUBING INSTL, SECTION 58 FLIGHT RECORDER PITOT-STATIC (SEE FIG. 1A ITEM 4)						0150	RF
R	65-62759-1	. .	SEAL INSTL, STATION 1440 HYDRAULIC AND PITOT-STATIC PRESSURE						0150	1
R	143 NAS603-8P	. .	SCREW						0150	6
R	144 AN960D10	. .	WASHER						0150	6

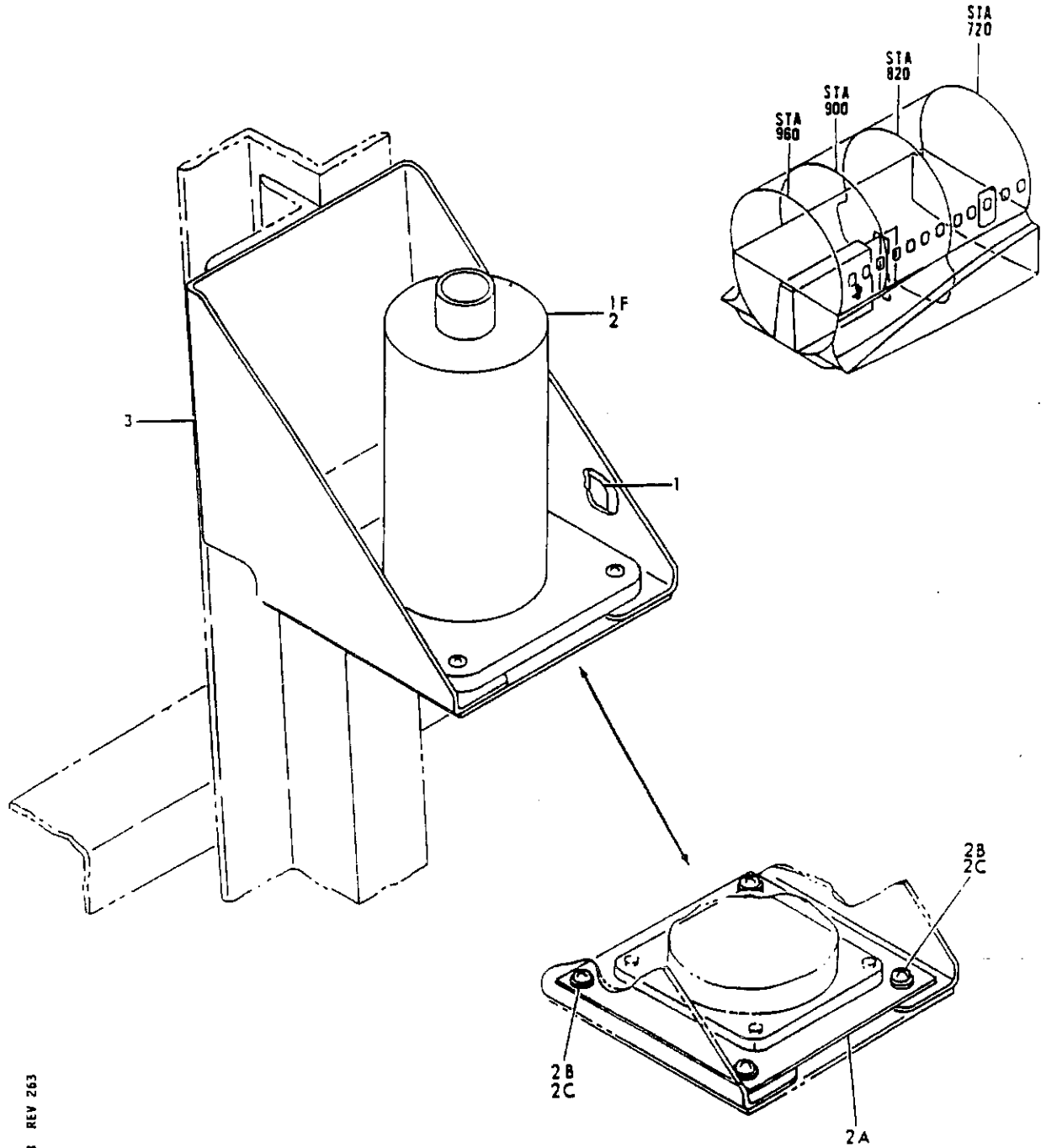
MISSING ITEM NUMBERS ARE NOT APPLICABLE



PARTS CATALOG

FIGURE & ITEM NO.	MANUFACTURER'S PART NUMBER	NOMENCLATURE	EFF FROM TO	UNITS PER ASSY
R 11C 145	66-3837-1	. . . RETAINER, TUBING PRESSURE BULKHEAD SEAL	0150	2
R 146	69-47468-1	. . . SEAL	0150	1
R 147	BACH30BC040180	. . . HOSE ASSY	0150	1
148	BACH30BC060153	. . . HOSE ASSY (OPTIONAL TO BACH30BC060154)	0103	1
148	BACH30BC060154	. . . HOSE ASSY (OPTIONAL BACH30BC060153)	0103	1
R 148	BACH30BC060122	. . . HOSE ASSY	0450	1
R 149	65-60991-33	. . . TUBE ASSY, PITOT PRESSURE 3/8 IN. .035 6061-T6.	0150	1
R 151	65-60991-31	. . . TUBE ASSY, PITOT PRESSURE 3/8 IN. .035 6061-T6.	0103	1
R 151	65-60991-178	. . . TUBE ASSY, PITOT PRESSURE 3/8 IN. .035 6061-T6.	0450	1
R 152	65-60991-32	. . . TUBE ASSY, STATIC PRESSURE 3/8 IN. .035 6061-T6	0150	1
R 154	65-60991-30	. . . TUBE ASSY, STATIC PRESSURE 3/8 IN. .035 6061-T6	0103	1
R 154	65-60991-177	. . . TUBE ASSY, STATIC PRESSURE 3/8 IN. .035 6061-T6	0450	1
R MS21921D6		. . . NUT	0150	2
R BACS13AP6		. . . SLEEVE.	0150	2
R 155	BACN18D4AD2	. . . UNION	0150	1
R 156	BACN18D6AD2	. . . UNION	0150	1
R 157	MS21902D6	. . . UNION	0150	2
R 158	MS21902D6	. . . UNION	0150	1
R 159	MS21916D6-4	. . . REDUCER	0150	1
R 160		. . . RECORDER INSTL, LOCKHEED AIRCRAFT SERVICE FLIGHT (FOR REF SEE FIG. 15)	0150	RF
R 162		. . . TUBING INSTL, SECTION 52 PITOT STATIC (FOR REF SEE. 34-6, FIG. 25, 26, 29, 29D, 29E, 30, 30A, 30B, 30C, 30D AND 30E)	0150	RF

MISSING ITEM NUMBERS ARE NOT APPLICABLE



A 3407013B REV 263

FIGURE 13B. ACCELEROMETER INSTL. REMOTE



PARTS CATALOG

FIGURE & ITEM NO.	MANUFACTURER'S PART NUMBER	NOMENCLATURE							EFF FROM TO	UNITS PER ASSY	
		1	2	3	4	5	6	7			
138	65-58594-1	ACCELEROMETER INSTL, REMOTE (SEE 24-3, FIG. 6B, ITEM. . . 41A, 24-3, FIG. 6C, ITEM 74, 24-3, FIG. 6D, ITEM 49, 24-3, FIG. 6E, ITEM 57 AND 24-3, FIG. 6F, ITEM 37)								RF	
R	1	BACM9A20-28	. SCOTCH-CAL, ACCELEROMETER FLIGHT RECORDER								1
R	2	4024698-1	. ACCELEROMETER, (V92685) (CUSTOMER FURNISHED).							0150	1
R	2	5690-1	. ACCELEROMETER, (V03003) (CUSTOMER FURNISHED).							5199	1
R			(OPTIONAL 5690 (V03003) (CUSTOMER FURNISHED))								
R	2	5690	. ACCELEROMETER, (V03003) (CUSTOMER FURNISHED).							5199	1
R			(OPTIONAL TO 5690-1 (V03003) (CUSTOMER FURNISHED))								
R		BACS12CB3-10	ATTACHING PARTS								
R			. SCREW							0150	4
R	3	69-45700-1	. BRACKET ASSY.								1
R		BACS12CB3-7	ATTACHING PARTS								
R		BACN10JC3	. SCREW								3
R			. NUT								3

MISSING ITEM NUMBERS ARE NOT APPLICABLE

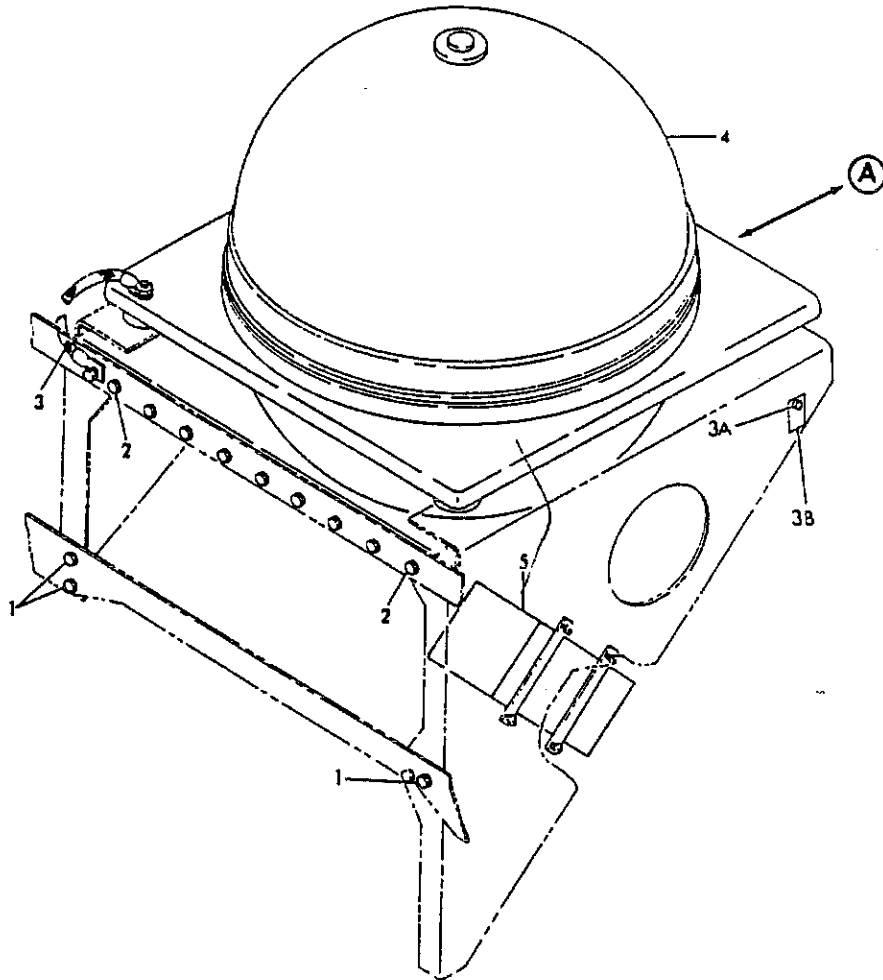
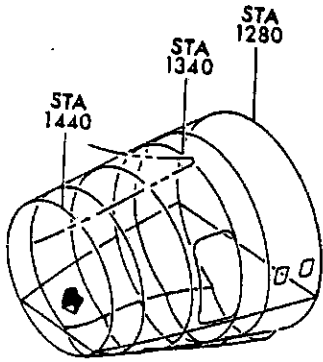


FIGURE 13 RECORDER INSTL-LOCKHEED AIRCRAFT SERVICE FLIGHT (SHEET 1)

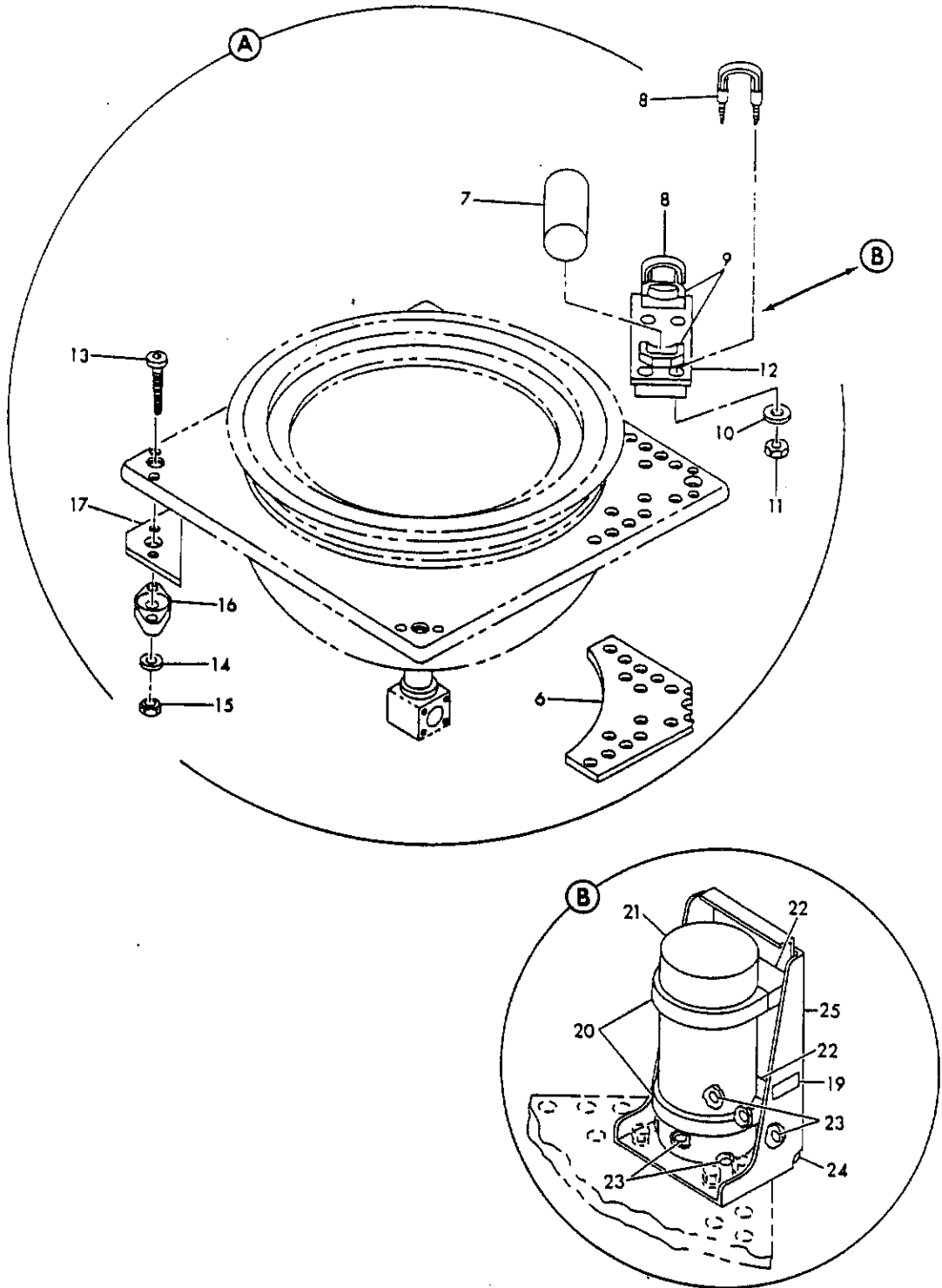


FIGURE 15. RECORDER INSTL, LOCKHEED AIRCRAFT SERVICE FLIGHT (SHEET 2)



PARTS CATALOG

FIGURE & ITEM NO.	MANUFACTURER'S PART NUMBER	NOMENCLATURE	EFF	
			FROM TO	UNITS PER ASSY
15	65-58789-1	RECORDER INSTL, LOCKHEED AIRCRAFT SERVICE FLIGHT (SEE 24-3, FIG. 7, ITEM 27)	0150	RF
1	NAS1303-2	. BOLT.	0150	3
2	NAS1303-3	. BOLT.	0150	9
3	BACJ40A20-6	. JUMPER ASSY	0150	1
		ATTACHING PARTS		
	NAS1303-4	. BOLT.	0150	1
	AN960D10L	. WASHER.	0150	2
	NAS679A3W	. NUT	0150	1
		-----*		
4	4001550-109C	. RECORDER, FLIGHT (V92685) (CUSTOMER FURNISHED). (MODIFIED BY L.A.S. RETROFIT KIT 4024560-1) (INCLUDES MOUNTS HT023-7 (V76005) (OPTIONALS 4001550-109CV, 4001550-501-109C 4001550-501R109C, 4001550-503, 4001550-503-109C, 4001550-503R109C, 4001550-505-109C, 4001550-505R109C, 4001550-511R109C (MODIFIED BY L.A.S. RETROFIT KIT 4024560-1), 4001550-509R109C (V92685) (CUSTOMER FURNISHED) (INCLUDES MOUNTS HT023-7 (V76005)))	0150	1
4	4001550-109CV	. RECORDER, FLIGHT (V92685) (CUSTOMER FURNISHED). (MODIFIED BY L.A.S. RETROFIT KIT 4024560-1) (INCLUDES MOUNTS HT023-7 (V76005) (OPTIONAL TO 4001550-109C (V92685) (CUSTOMER FURNISHED) (MODIFIED BY L.A.S. RETROFIT KIT 4024560-1) (INCLUDES MOUNTS HT023-7 (V76005)))	0150	1
4	4001550-501-109C	. RECORDER, FLIGHT (V92685) (CUSTOMER FURNISHED). (MODIFIED BY L.A.S. RETROFIT KIT 4024560-1) (INCLUDES MOUNTS HT023-7 (V76005) (OPTIONAL TO 4001550-109C (V92685) (CUSTOMER FURNISHED) (MODIFIED BY L.A.S. RETROFIT KIT 4024560-1) (INCLUDES MOUNTS HT023-7 (V76005)))	0150	1
4	4001550-501R109C	. RECORDER, FLIGHT (V92685) (CUSTOMER FURNISHED). (MODIFIED BY L.A.S. RETROFIT KIT 4024560-1) (INCLUDES MOUNTS HT023-7 (V76005) (OPTIONAL TO 4001550-109C (V92685) (CUSTOMER FURNISHED) (MODIFIED BY L.A.S. RETROFIT KIT 4024560-1) (INCLUDES MOUNTS HT023-7 (V76005)))	0150	1
4	4001550-503	. RECORDER, FLIGHT (V92685) (CUSTOMER FURNISHED). (MODIFIED BY L.A.S. RETROFIT KIT 4024560-1) (INCLUDES MOUNTS HT023-7 (V76005) (OPTIONAL TO 4001550-109C (V92685) (CUSTOMER FURNISHED) (MODIFIED BY L.A.S. RETROFIT KIT 4024560-1) (INCLUDES MOUNTS HT023-7 (V76005)))	0150	1
4	4001550-503-109C	. RECORDER, FLIGHT (V92685) (CUSTOMER FURNISHED). (MODIFIED BY L.A.S. RETROFIT KIT 4024560-1) (INCLUDES MOUNTS HT023-7 (V76005) (OPTIONAL TO 4001550-109C (V92685) (CUSTOMER FURNISHED) (MODIFIED BY L.A.S. RETROFIT KIT 4024560-1) (INCLUDES MOUNTS HT023-7 (V76005)))	0150	1
4	4001550-503R109C	. RECORDER, FLIGHT (V92685) (CUSTOMER FURNISHED). (MODIFIED BY L.A.S. RETROFIT KIT 4024560-1) (INCLUDES MOUNTS HT023-7 (V76005) (OPTIONAL TO 4001550-109C (V92685) (CUSTOMER FURNISHED) (MODIFIED BY L.A.S. RETROFIT KIT 4024560-1) (INCLUDES MOUNTS HT023-7 (V76005)))	0150	1
4	4001550-505-109C	. RECORDER, FLIGHT (V92685) (CUSTOMER FURNISHED). (MODIFIED BY L.A.S. RETROFIT KIT 4024560-1) (INCLUDES MOUNTS HT023-7 (V76005) (OPTIONAL TO 4001550-109C (V92685) (CUSTOMER FURNISHED) (MODIFIED BY L.A.S. RETROFIT KIT 4024560-1) (INCLUDES MOUNTS HT023-7 (V76005)))	0150	1
4	4001550-505R109C	. RECORDER, FLIGHT (V92685) (CUSTOMER FURNISHED). (MODIFIED BY L.A.S. RETROFIT KIT 4024560-1) (INCLUDES MOUNTS HT023-7 (V76005) (OPTIONAL TO 4001550-109C (V92685) (CUSTOMER FURNISHED) (MODIFIED BY L.A.S. RETROFIT KIT 4024560-1) (INCLUDES MOUNTS HT023-7 (V76005)))	0150	1
4	4001550-509R109C	. RECORDER, FLIGHT (V92685) (CUSTOMER FURNISHED). (MODIFIED BY L.A.S. RETROFIT KIT 4024560-1) (INCLUDES MOUNTS HT023-7 (V76005) (OPTIONAL TO 4001550-109C (V92685) (CUSTOMER FURNISHED) (MODIFIED BY L.A.S. RETROFIT KIT 4024560-1) (INCLUDES MOUNT HT023-7 (V76005)))	0150	1

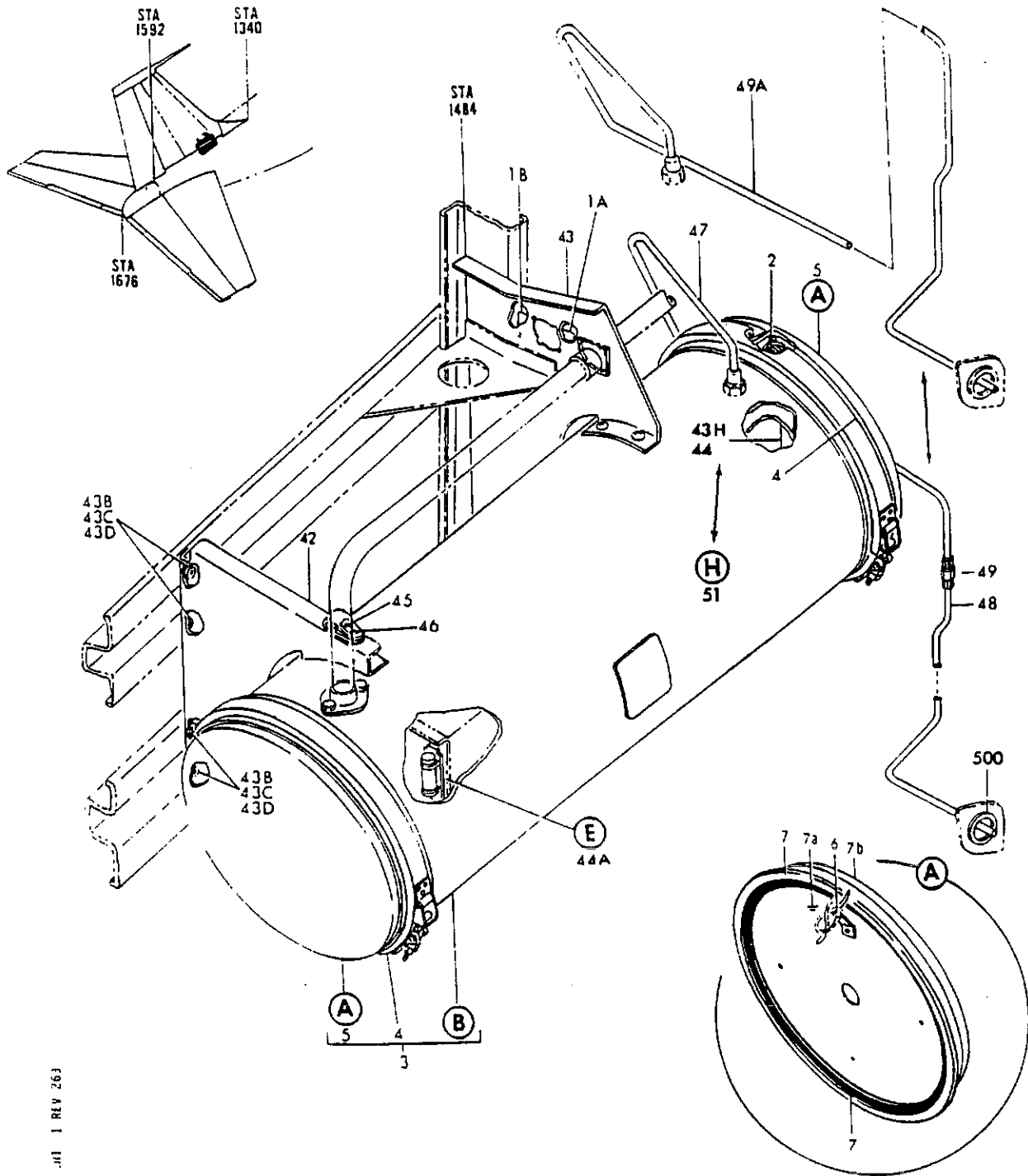
MISSING ITEM NUMBERS ARE NOT APPLICABLE



PARTS CATALOG

FIGURE & ITEM NO.	MANUFACTURER'S PART NUMBER	NOMENCLATURE							EFF FROM TO	UNITS PER ASSY		
		1	2	3	4	5	6	7				
R R R R R R R R R R	15 4	4001550-511R109C	. RECORDER, FLIGHT (V92685) (CUSTOMER FURNISHED).							0150	1	
			(MODIFIED BY L.A.S. RETROFIT KIT 4024560-1 (INCLUDES MOUNTS HT023-7 (V76005) (OPTIONAL TO 4001550-109C (V92685) (CUSTOMER FURNISHED) (MODIFIED BY L.A.S. RETROFIT KIT 4024560-1 (INCLUDES MOUNT HT023-7 (V76005))									
		NK525-1032R8	ATTACHING PARTS . SCREW, (V07368)							0150	4	
		AN3HA	. BOLT, (USED WITH AN960PD10L).							0150	4	
		AN960PD10L	. WASHER, (USED WITH AN3HA)							0150	4	
			-----*									
		5	4001551-505	. BOX ASSY, AMPLIFIER AND JUNCTION (V92685) (CUSTOMER .							0150	1
				FURNISHED) (OPTIONALS 4001551, 4001551-503T, 4001551T (V92685) (CUSTOMER FURNISHED))								
		5	4001551	. BOX ASSY, AMPLIFIER AND JUNCTION (V92685) (CUSTOMER .							0150	1
				FURNISHED) (OPTIONAL TO 4001551-505 (V92685) (CUSTOMER FURNISHED))								
	5	4001551-503T	. BOX ASSY, AMPLIFIER AND JUNCTION (V92685) (CUSTOMER .							0150	1	
			FURNISHED) (OPTIONAL TO 4001551-505 (V92685) (CUSTOMER FURNISHED))									
	5	4001551T	. BOX ASSY, AMPLIFIER AND JUNCTION (V92685) (CUSTOMER .							0150	1	
			FURNISHED) (OPTIONAL TO 4001551-505 (V92685) (CUSTOMER FURNISHED))									
		BACS12CB3-7	ATTACHING PARTS . SCREW							0150	4	
			-----*									

MISSING ITEM NUMBERS ARE NOT APPLICABLE



A 3407017 -H1 1 REV 263

FIGURE 17. RECORDER INSTL, ARINC 542 FLIGHT (SHEET 1)

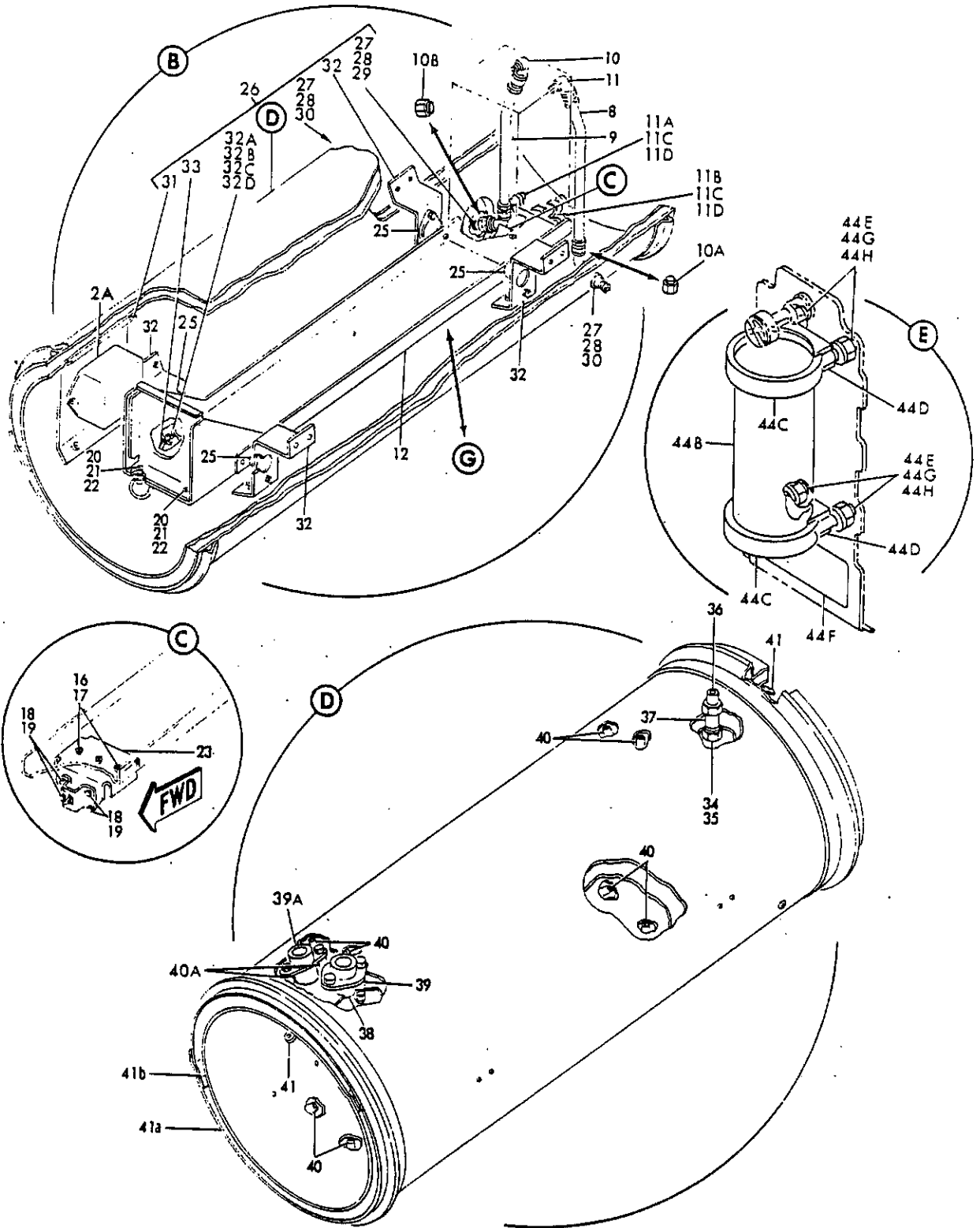


FIGURE 17. RECORDER INSTL, ARINC 542 FLIGHT (SHEET 2)

NOV 21/90

34-07-17

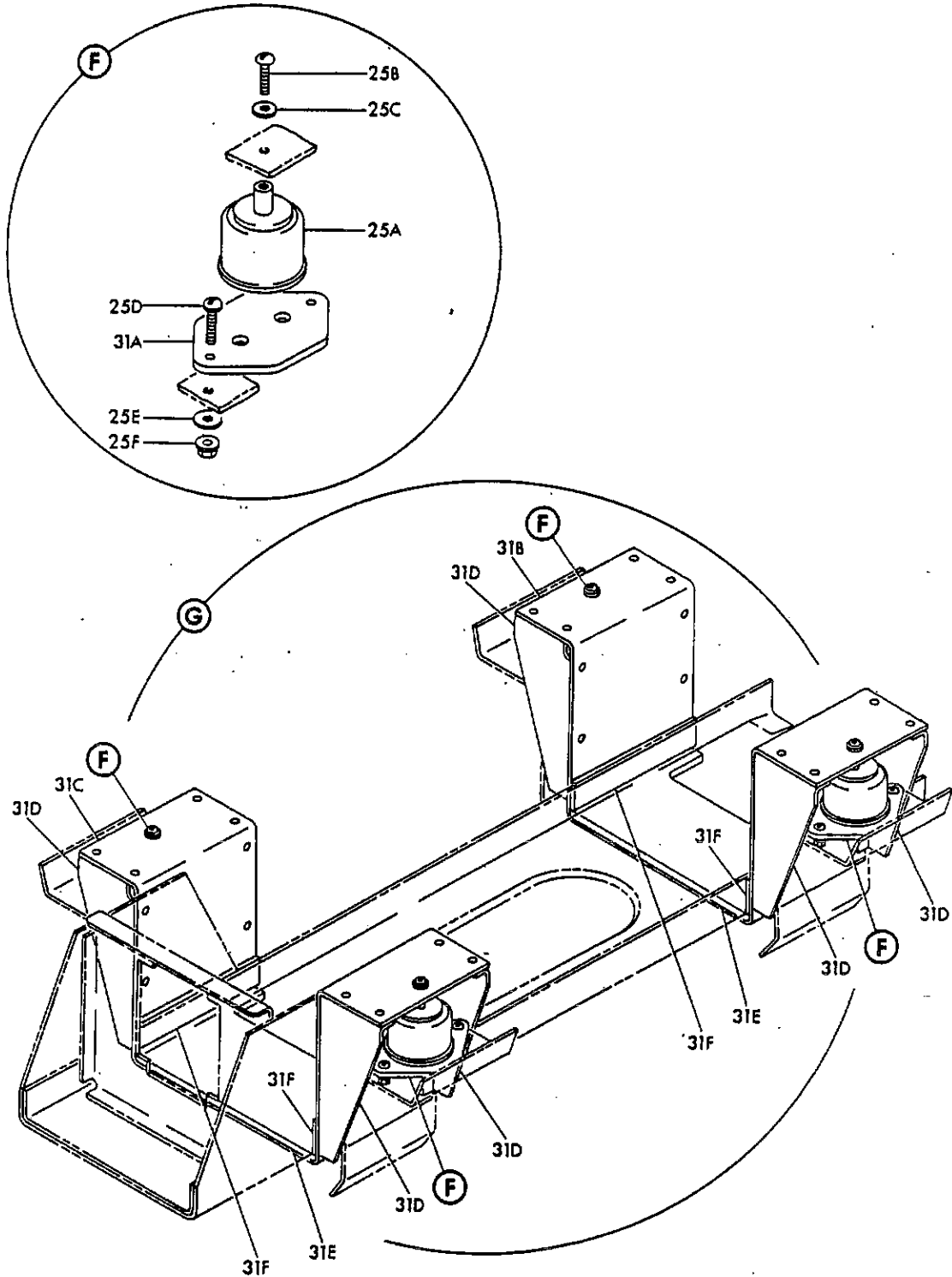


FIGURE 17. RECORDER INSTL, ARINC 542 FLIGHT (SHEET 3)

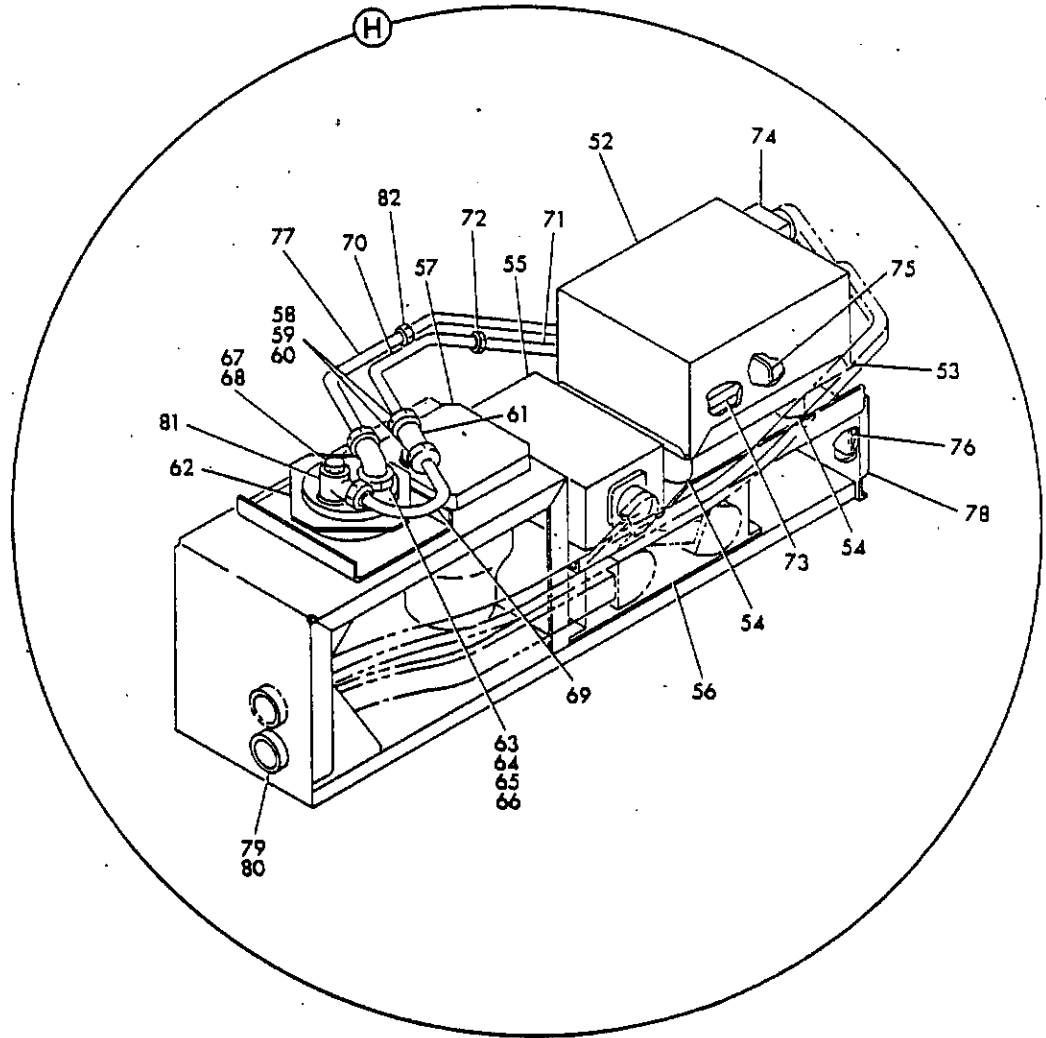


FIGURE 17. RECORDER INSTL, ARING 542 FLIGHT (SHEET 4)



PARTS CATALOG

FIGURE & ITEM NO.	MANUFACTURER'S PART NUMBER	1 2 3 4 5 6 7	NOMENCLATURE	EFF	UNITS
				FROM TO	PER ASSY
17	65-61811-37		RECORDER INSTL, ARINC 542 FLIGHT (VARIABLE. DWG:65-61811-5004) (SEE 24-3, FIG. 7, ITEM 28)	5199	RF
1	BAC27CEE297		. MARKER-ALUMINUM FOIL.	5199	1
1A	BAC27CEE866		. MARKER-ALUMINUM FOIL, FR-1.	5199	1
1B	BAC27CEE867		. MARKER-ALUMINUM FOIL, FR-2.	5199	1
2	65-61811-28		. CORD, LANYARD	5199	1
2A	10S1034A		. FILTER, (V56289).	5199	1
			ATTACHING PARTS		
	BACS12CB08-5		. SCREW	5199	2
3	65-61811-60		. CANISTER ASSY	5199	1
			ATTACHING PARTS		
	BACS12CB3-16		. SCREW	5199	8
	AN960PD10L		. WASHER.	5199	8
	BACN10JC3		. NUT	5199	8
3	65-61811-59	 BODY ASSY	5199	1
4	MVM64539-1263	 CLAMP, (V98625)	5199	2
5	65-61811-4	 CAP ASSY.	5199	2
6	65-61811-27	 ANGLE, RETAINER	5199	1
			ATTACHING PARTS		
	MS20470D4	 RIVET	5199	1
7	65-61811-17	 SEAL.	5199	2
7A	65-61811-10	 CAP, INNER SKIN	5199	1
7B	65-61811-9	 CAP, OUTER SKIN	5199	1
12	65-22502-104	 TRAY ASSY, 1/2 ATR LONG	5199	1
			ATTACHING PARTS		
	NAS514P832-14	 SCREW	5199	4
	AN960PDBL	 WASHER.	5199	4
	NAS679A08L	 NUT	5199	4
13	8168	 HOLDDOWN, FRONT (V30528). (OPTIONAL 60538 (V65597) 121366-727 (V30528))	5199	2
13	60538	 HOLDDOWN, FRONT (V65597). (OPTIONAL TO 8168 (V30528))	5199	2
13	121366-727	 HOLDDOWN, FRONT (V30528). (OPTIONAL TO 8168 (V30528))	5199	2
			ATTACHING PARTS		
	BACS2CB04-5	 SCREW	5199	4
	NAS679A04W	 NUT	5199	4
14	111066	 EXTRACTOR ASSY, (V30528). (OPTIONAL 69-33152-1 AND H3-1095 (V34941))	5199	1
15	69-33152-1	 EXTRACTOR ASSY, ELECTRONIC EQUIPMENT. (OPTIONAL TO 111066 (V30528))	5199	1
15	H3-1095	 EXTRACTOR ASSY, ELECTRONIC EQUIPMENT (V34941) (OPTIONAL TO 111066 (V30528))	5199	1
			ATTACHING PARTS		
	NAS514P440-5	 SCREW	5199	2
	NAS679A04W	 NUT	5199	2
15A	AN316C4L	 NUT, CHECK.	5199	2
15B	541-7558-002	 KNOB, TORQUE LIMIT (V13499) (OPTIONAL H3-1105-1 (V34941))	5199	1
15B	H3-1105-1	 KNOB, TORQUE LIMIT (V34941) (OPTIONAL TO 541-7558-002 (V13499))	5199	1
15C	66-21460-1	 LEADSCREW	5199	1
15D	69-31303-2	 CARRIAGE ASSY, (OPTIONAL 69-31303-1)	5199	1
15D	69-31303-1	 CARRIAGE ASSY, (OPTIONAL TO 69-31303-2)	5199	1
15E	69-16730-4	 BRACKET ASSY.	5199	1
15F	65-19562-22	 TRAY	5199	1
16	NAS514P1032-7	 SCREW	5199	3
17	NAS679A06W	 NUT	5199	3
18	BACS12CB04-5	 SCREW	5199	4
19	NAS679A04W	 NUT	5199	4
20	NAS514P1032-7	 SCREW	5199	3
21	AN960D10L	 WASHER.	5199	3
22	NAS679A3W	 NUT	5199	3
23	65-61811-11	 CHANNEL	5199	1

MISSING ITEM NUMBERS ARE NOT APPLICABLE

BOEING
Intercontinental
707 
PARTS CATALOG

FIGURE & ITEM NO.	MANUFACTURER'S PART NUMBER	NOMENCLATURE							EFF FROM TO	UNITS PER ASSY	
		1	2	3	4	5	6	7			
17	25	N6300-11	5199	4
	25	N6300-11A	5199	4
		BACS12CB06-7	5199	8
		AN960PD6L	5199	8
		NAS679A06W	5199	8
	26	65-61811-56	5199	1
	27	BACN10DR6	5199	2
	28	AN960C916L	5199	2
	29	BACE21A0604D	5199	1
	30	MS21907D6	5199	1
	31	65-61811-54	5199	1
		BACS12CB3-16	5199	4
		NAS43DD3-36	5199	4
		AN960D10L	5199	4
		NAS679A3W	5199	4
	32	65-61811-7	5199	4
		BACS12CB3-16	5199	15
		NAS43DD3-36	5199	15
		AN960D10L	5199	15
		NAS679A3W	5199	15
	32A	BACS12CB3-16	5199	1
	32B	NAS43DD3-36	5199	1
	32C	AN960D10L	5199	2
	32D	NAS679A3W	5199	1
	33	BACJ40A20-5	5199	1
	34	BACN10DR4	5199	1
	35	AN960C716L	5199	1
	36	MS21924D4	5199	1
	37	65-61811-13	5199	1
	38	NAS43DD16-36	5199	1
	39	BACS45A13	5199	1
		BACS12CB3-18	5199	2
		NAS43DD3-36	5199	2
		AN960C10L	5199	2
		NAS679A3W	5199	2
	40	NAS43DD3-36	5199	8
	41	65-61811-27	5199	2
		MS20470D4	5199	2
	41A	65-61811-5	5199	1
	41B	65-61811-6	5199	1
	42	65-61811-21	5199	1
	43	65-61811-68	5199	1
	43B	BACS12CB3-9	5199	4
	43C	AN960PD10L	5199	4
	43D	BACN10JC3	5199	4
	44	15630-601	5199	1
	46	BACP20BA1	5199	1
	46A	BACC10DK-10	5199	1
		BACS12CB3-9	5199	1
		BACN10JC3	5199	1
	47	65-61811-64	5199	1
	48	65-61811-65	5199	1
		BACS13AP-4	5199	2
		BACN10CS4D	5199	2
	49	MS21902D4	5199	1
	500		5199	RF

MISSING ITEM NUMBERS ARE NOT APPLICABLE

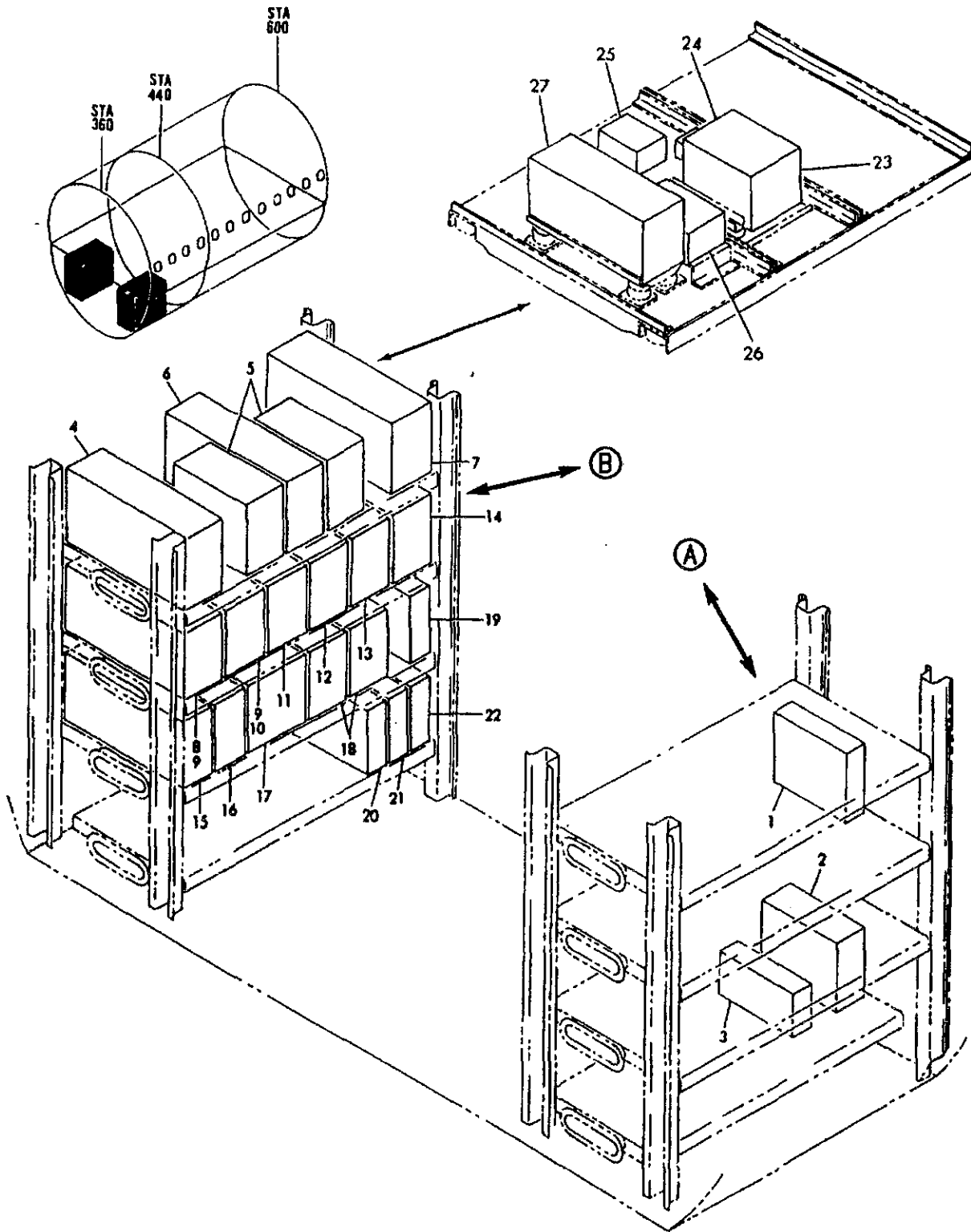
BOEING *707* *Intercontinental* 
PARTS CATALOG

SECTION 08
ELECTRONIC RACK

BOEING

707

PARTS CATALOG (MAINTENANCE)



A 340801BA SHT 1 REV 272

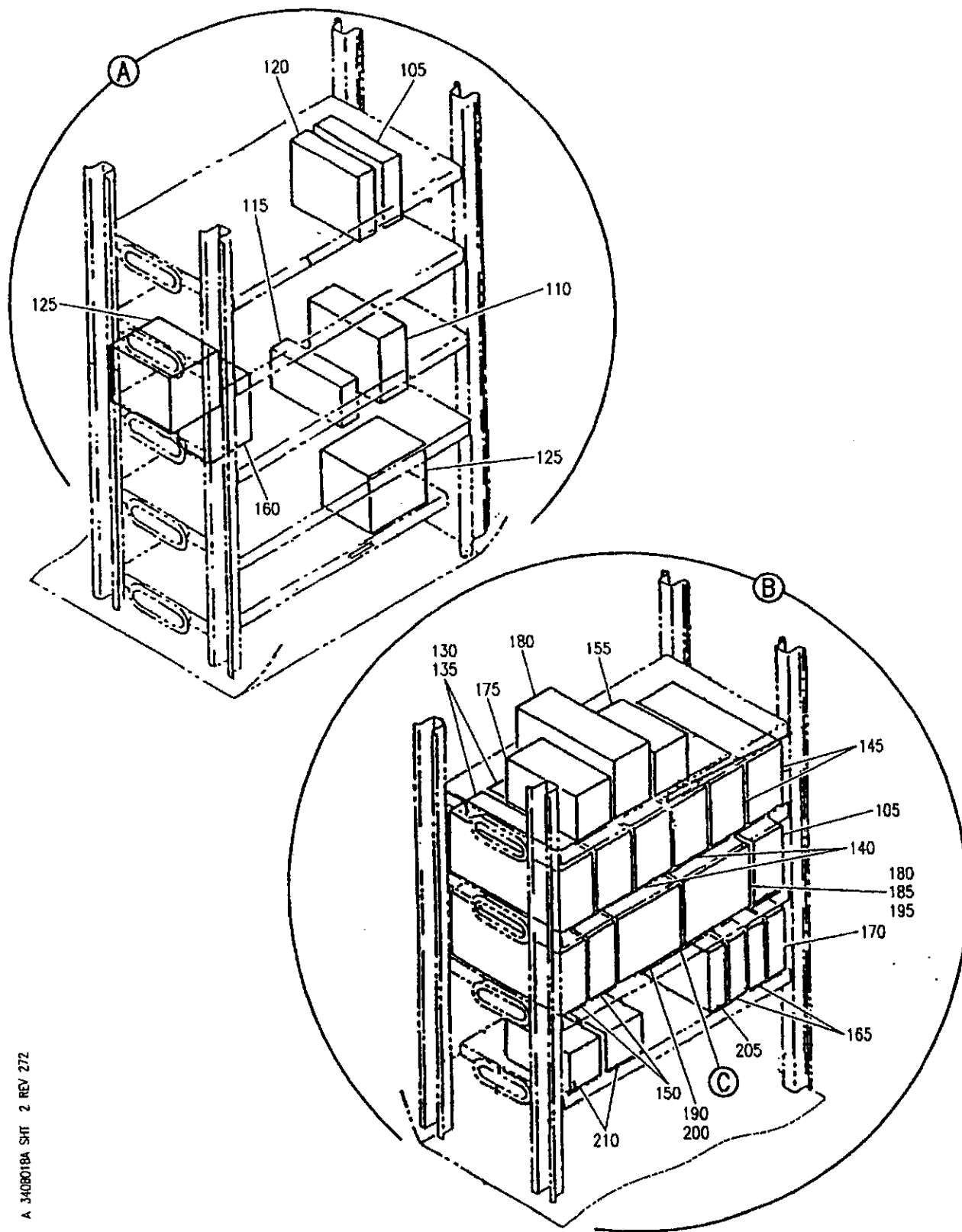
FIGURE 18A. EQUIPMENT INSTL. ELECTRONIC RACK (NAVIGATION ONLY)
EQUIPMENT INSTL. RACK LOWER SECTION 41 (NAVIGATION ONLY) (SHEET 1)

DETAILED PARTS LIST
34-08-18A
PAGE 0

34-08-18A

NOV 21/01

BOEING
707
PARTS CATALOG (MAINTENANCE)



A 340801BA SHT 2 REV 272

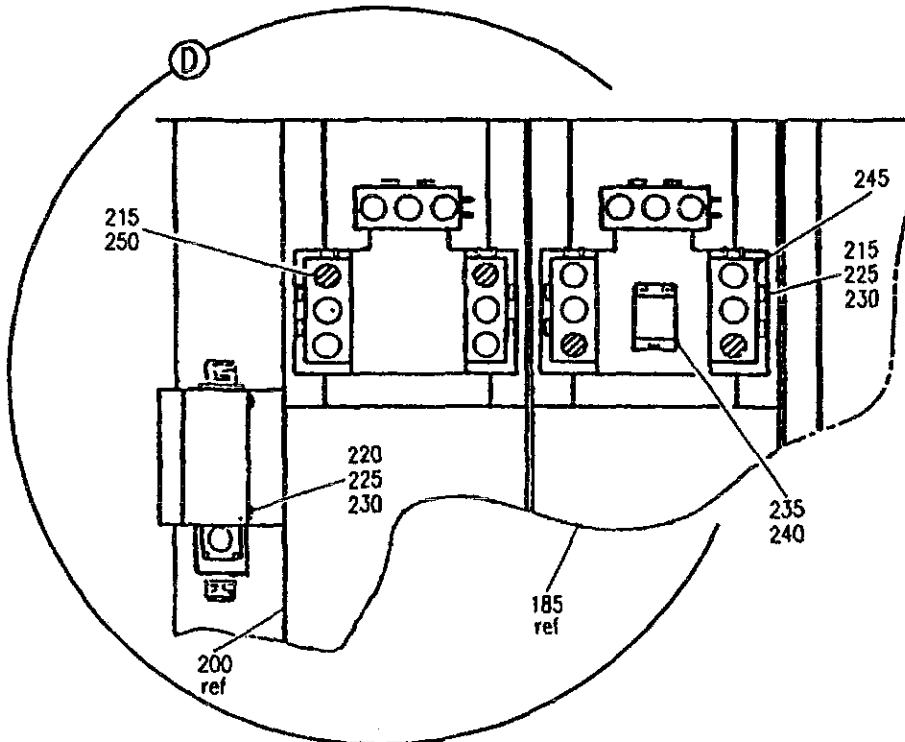
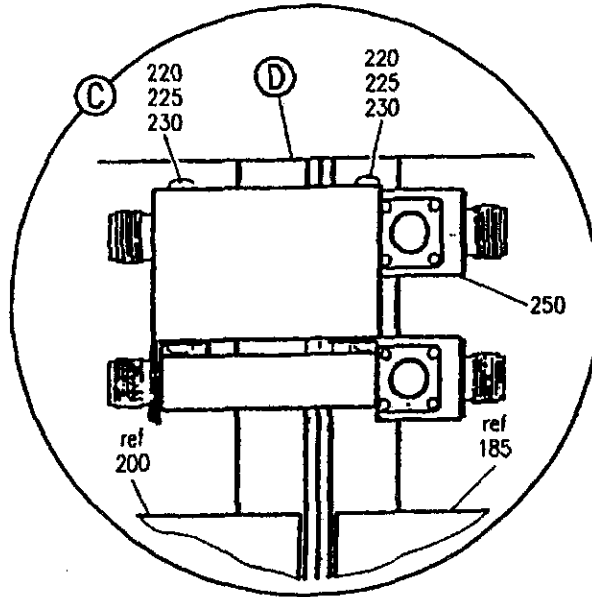
FIGURE 18A. EQUIPMENT INSTL. ELECTRONIC RACK (NAVIGATION ONLY)
EQUIPMENT INSTL. RACK LOWER SECTION 41 (NAVIGATION ONLY) (SHEET 2)

NOV 21/01

34-08-18A

DETAILED PARTS LIST
34-08-18A
PAGE 1

BOEING
707
PARTS CATALOG (MAINTENANCE)



A 3408018A SHT 3 REV 272

FIGURE 18A. EQUIPMENT INSTL, ELECTRONIC RACK (NAVIGATION ONLY)
EQUIPMENT INSTL, RACK LOWER SECTION 41 (NAVIGATION ONLY) (SHEET 3)

DETAILED PARTS LIST
34-08-18A
PAGE 2

34-08-18A

NOV 21/01

BOEING

707

PARTS CATALOG (MAINTENANCE)

R
R
R

FIGURE & ITEM NO.	MANUFACTURER'S PART NUMBER	NOMENCLATURE							EFF FROM TO	UNITS PER ASSY
		1	2	3	4	5	6	7		
18A	65-1343-87	EQUIPMENT INSTL, ELECTRONIC RACK (NAVIGATION ONLY). . .							0150	RF
	65-1343-87	EQUIPMENT INSTL, ELECTRONIC RACK (NAVIGATION ONLY). . . (DELETED BY RAF MOD 7211.019-4) (SEE 24-3, FIG. 60, ITEM 11)							0150	RF
1	DFA73A1	. RECEIVER, NO. 1 ADF (V27914) (CUSTOMER FURNISHED) . .							0150	1
1	777-1492-004	. RECEIVER, NO. 1 ADF (TYPE 51Y7) (V13499) (ADDED BY . .							0150	1
2	G1440	. AMPLIFIER, NAVIGATION WARNING (V99837) (CUSTOMER . .							0150	1
3	522-2996-011	. RECEIVER, MARKER BEACON (V13499).							0150	1
3	522-2996-000	. RECEIVER, MARKER BEACON (V13499). (OPTIONAL 522-2996-011 (V13499))							0150	1
4	TRACKER	. TRACKER, NO. 1 DOPPLER (CUSTOMER FURNISHED)							0150	1
5	COMPUTER	. COMPUTER, NO. 1 DOPPLER (CUSTOMER FURNISHED).							0150	2
6	10-60708-6	. BOX, DOPPLER MARRIAGE (DELETED BY RAF MOD							0150	1
7	TRACKER	. TRACKER, NO. 2 DOPPLER (CUSTOMER FURNISHED)							0150	1
8	10-61439-57	. COMPUTER, NO. 1 AIR DATA (DELETED BY RAF MOD.							0150	1
8	HG480815	. COMPUTER, NO. 1 AIR DATA (V94580) (ADDED BY							0150	1
9	10-61439-103	. ADAPTER, AIR DATA COMPUTER.							0150	2
10	10-61439-57	. COMPUTER, NO. 2 AIR DATA (DELETED BY RAF MOD.							0150	1
10	HG480815	. COMPUTER, NO. 2 AIR DATA (V94580) (ADDED BY							0150	1
11	51RV1	. RECEIVER, NO. 1 VOR/ILS (V13499) (CUSTOMER FURNISHED)							0150	1
12	51RV1	. RECEIVER, NO. 2 VOR/ILS (V13499) (CUSTOMER FURNISHED)							0150	1
13	522-2702-062	. INTERROGATOR, NO. 1 DMET (TYPE 860E2) (V13499). . . .							0150	1
14	522-2702-062	. INTERROGATOR, NO. 2 DMET (TYPE 860E2) (V13499). . . .							0150	1
15	10-3303-17	. COUPLER, NO. 1 COMPASS.							0150	1
16	10-3303-17	. COUPLER, NO. 2 COMPASS.							0150	1
17	ECC00176	. RECEIVER, LORAN (V25950) (CUSTOMER FURNISHED)							0150	1
18	522-2703-000	. TRANSPONDER, NO. 1 AND NO. 2 ATC (V13499)							0150	2
18	522-2703-011	. TRANSPONDER, NO. 1 AND NO. 2 ATC (V13499) (OPTIONAL 522-2703-011 (V13499))							0150	2
19	DFA73A1	. RECEIVER, NO. 2 ADF (V27914) (CUSTOMER FURNISHED) . .							0150	1
19	777-1492-00	. RECEIVER, NO. 2 ADF (TYPE 51Y7) (V13499) (ADDED BY . .							0150	1
20	522-3120-004	. AMPLIFIER, NO. 1 FLIGHT INSTRUMENTS (V13499).							0150	1
21	522-3120-004	. AMPLIFIER, NO. 2 FLIGHT INSTRUMENTS (V13499).							0150	1
22	522-3121-171	. COMPUTER, FLIGHT STEERING (ALTERED FROM 562A5F) . . .							0150	1
23	ARC164V	. TRANSCEIVER, UHF (VK1057) (ADDED BY RAF MOD							0150	1
	NAS602-7P	ATTACHING PARTS SCREW							0150	4
24	82152CS319	. SWITCH, ANTENNA (V82152) (ADDED BY RAF MOD.							0150	1
	NAS602-18P	ATTACHING PARTS SCREW							0150	2
25	198-4800	. SELECTOR, ANTENNA (V20268) (ADDED BY RAF MOD.							0150	1
	NAS601-10P	ATTACHING PARTS SCREW							0150	4
26	622-2093-001	. CONVERTER, POWER (V00993) (ADDED BY RAF MOD							0150	1
	NAS602-7P	ATTACHING PARTS SCREW							0150	4

MISSING ITEM NUMBERS ARE NOT APPLICABLE

RAF
NOV 21/01

34-00-10A

DETAILED PARTS LIST
34-08-18A
PAGE 3

BOEING

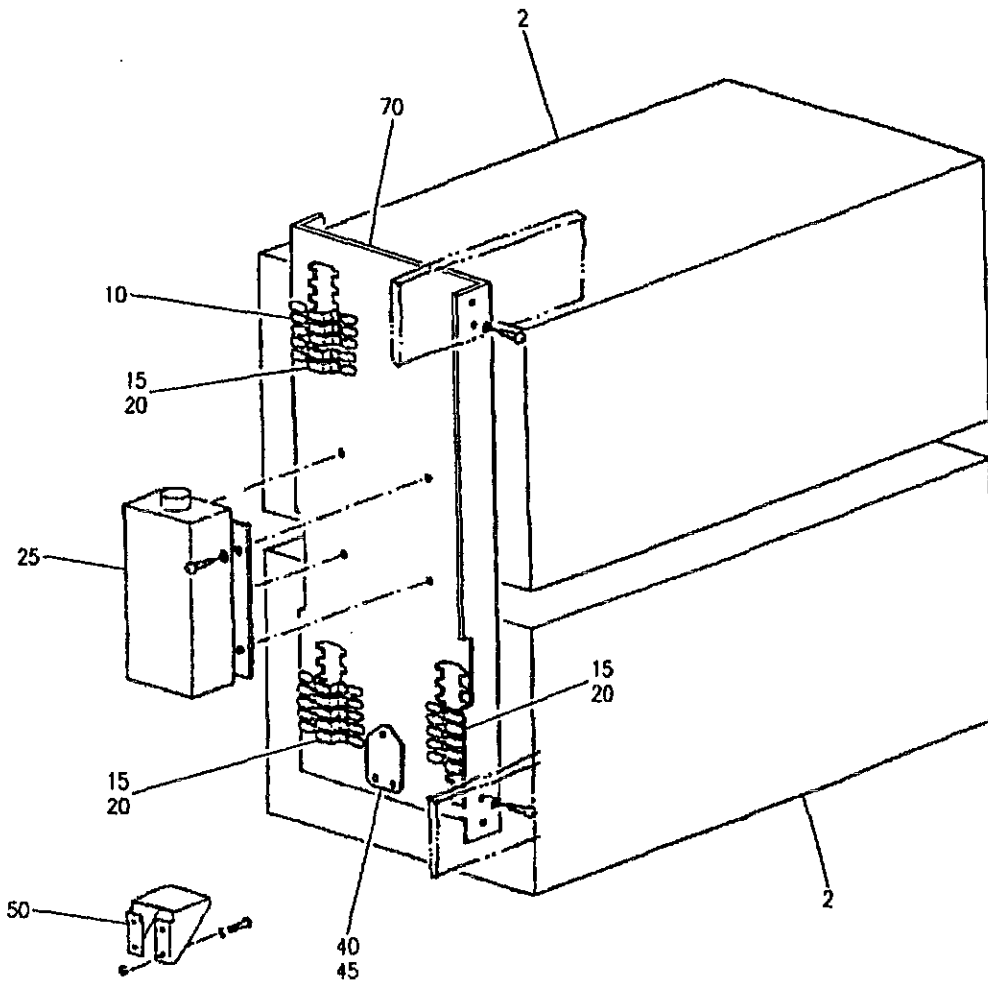
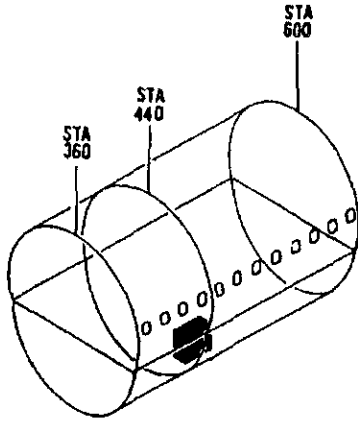
707

PARTS CATALOG (MAINTENANCE)

FIGURE & ITEM NO.	MANUFACTURER'S PART NUMBER	NOMENCLATURE	EFF FROM TO	UNITS PER ASSY
18A 27	UNIT	. UNIT, DME VAN-X (TYPE 1N80280) (VZ0268) (ADDED BY . . .	0150	1
	391-25-50-74125-001	RAF MOD 7211.019-188) EQUIPMENT INSTL, RACK LOWER SECTION 41 (NAVIGATION. . .	0450	RF
	391-25-50-74125-003	ONLY) (VZ0031) (ADDED BY RAF MOD 7211.019-4) (SEE 24-3, FIG. 6D, ITEM 150) EQUIPMENT INSTL, RACK LOWER SECTION 41 (NAVIGATION. . .	0101	RF
	391-25-50-74125-005	ONLY) (VZ0031) (ADDED BY RAF MOD 7211.019-4) (SEE 24-3, FIG. ITEM 150) EQUIPMENT INSTL, RACK LOWER SECTION 41V(NAVIGATION. . .	0203	RF
	105 DFA73A1	ONLY) (VZ0031) (ADDED BY RAF MOD 7211.019-4) (SEE 24-3, FIG. 6D, ITEM 150) . RECIEVER, NO. 1 AND NO. 2 ADF (V27314) (CUSTOMER) . . .	0150	2
	110 G1440	FURNISHED) . AMPLIFIER, NAVIGATION WARNING (V99837) (CUSTOMER. . .	0150	1
	115 522-2996-011	FURNISHED) . RECIEVER, MARKER BEACON (V13499).	0150	1
	115 522-2996-000	(OPTIONAL 522-2996-000 (V13499)) . RECIEVER, MARKER BEACON (V13499).	0150	1
	120 464759-01	(OPTIONAL TO 522-299-000 (V13499)) . SWITCH, (DU UNIT (V30782)	0150	1
	125 3614661-0103	. INTERFACE, MFD (V27914)	0150	1
	130 10-61439-57	. COMPUTER, NO. 1 AND NO. 2 AIR DATA.	0150	2
	135 10-61439-103	. ADAPTER, AIR DATA COMPUTER.	0150	2
	140 51RV1	. RECEIVER, NO. 1 AND NO. 2 VOR/ILS (V13499) (CUSTOMER FURNISHED)	0150	2
	145 522-2702-068	. INTERROGATOR, NO. 1 AND NO. 2 DMET (TYPE 860E2) . . .	0150	2
	150 10-3303-17	. COUPLER, NO. 1 AND NO. 2 COMPASS.	0150	2
	155 117623-3	. SYNCHRONISER (OPTIONAL SN416BAPX76)	0150	1
	155 SN416BAPX76	. SYNCHRONISER (OPTIONAL 117623-3).	0150	1
	160 391-34-40-74317-001	. JUNCTION BOX, MFD (VZ0031).	0150	1
	165 522-3120-004	. AMPLIFIER, NO. 2 FLIGHT INSTRUMENTS	0150	2
	170 522-3121-171	. COMPUTER, FLIGHT STEERING (ALTERED FROM 562A5F) . . .	0150	1
	175 119421	. INTERROGATOR, SWITCH AMPLIFIER IFF (V80249)	0150	1
	175 SA1568AAPX76B	(OPTIONAL SA7568AAPX76B (V80249)) . INTERROGATOR, SWITCH AMPLIFIER IFF (V80249)	0150	1
	180 119415-5	(OPTIONAL 119421 (V80249)) . RECEIVER, IFF INTERROGATOR TRANSMITTER (V80249) . . .	0150	1
	180 RT8688BAPX76B	(OPTIONAL RT8688BAPX76B (V80249)) . RECEIVER, IFF INTERROGATOR TRANSMITTER (V80249) . . .	0150	1
	185 374D3RT1385A	. RECEIVER, TACAN TRANSMITTER (V73499) (OPTIONAL. . . .	0150	1
	185 622-5146-001	622-5146-001 (V13499)) . RECEIVER, TACAN TRANSMITTER (V13499) (OPTIONAL. . . .	0150	1
	190 622-1678-004	374D3RT1385A (V13499)) . ADAPTOR, D/A TACAN (V13499) (OPTIONAL MX9577A). . . .	0150	2
	195 998MIMX109A	. ADAPTOR, BEARING (V13499) (OPTIONAL 622-5415149-001)	0150	1
	195 622-5149-001	. ADAPTOR, BEARING (V13499) (OPTIONAL 998MIMX109A). . .	0150	1
	200 374D2RT1384	. RECEIVER, TRANSMITTER (V80249) (OPTIONAL.	0150	1
	200 622-5145-001	622-5145-001 (V80249)) . RECEIVER, TRANSMITTER (V80249) (OPTIONAL.	0150	1
	205 391-23-50-74494-001	374D2RT1384 (V80249)) . UNIT, JUMPPRESS INTERFACE (VZ0031).	0150	1
	210 S7261W4003A5	. IFF, TX/RX (V13499)	0150	1
	215 AN3-13A	. BOLT.	0150	12
	220 NAS603-8	. SCREW	0150	6
	225 AN960KD10L	. WASHER.	0150	24
	230 MS21042-3	. NUT	0150	13
	235 MS27400-17	. RELAY	0150	1
	240 MS12883-40-01	. RELAU, BASE	0150	1
	245 CS28FN5D	. SWITCH, COAXIAL	0150	6
	250 TYPE7-54	. DIPLEXER.	0150	3
		. FOR REFERENCE TO OTHER EQUIPMENT DETAILS, SEE NMA . . .	0150	

MISSING ITEM NUMBERS ARE NOT APPLICABLE

BOEING
707
PARTS CATALOG (MAINTENANCE)



A 34080198 REV 272

NAVIGATION ELECTRONIC RACK
FIGURE 19B. EQUIPMENT INSTL, INS RACK

DETAILED PARTS LIST
34-08-198
PAGE 0

34-08-198

NOV 21/01

BOEING

707

PARTS CATALOG (MAINTENANCE)

FIGURE & ITEM NO.	MANUFACTURER'S PART NUMBER	NOMENCLATURE							EFF FROM TO	UNITS PER ASSY
		1	2	3	4	5	6	7		
R	19B								0450	
R		391-34-40-74264-001							0450	1
R										
R	10	391-11-00-73978-109							0450	AR
R	15	XD4N							0450	15
R	20	SO-1064-001							0450	15
R	25	454578-01							0450	1
R										
R		MS35206-245							0450	4
R		AN960-8L							0450	4
R										
R	40	9223-4833N							0450	1
R	45	SO-1022-7129							0450	1
R	50	391-34-40-74265-103							0450	1
R										
R		MS35206-215							0450	4
R		AN960-4L							0450	4
R		MS21042-04							0450	4
R										
R	70	391-34-40-74265-001							0450	1
R										
R		MS35206-245							0450	4
R		AN960-8L							0450	4
R		MS21042-08							0450	4
R										
R	90	463001-7130-1501							0450	2

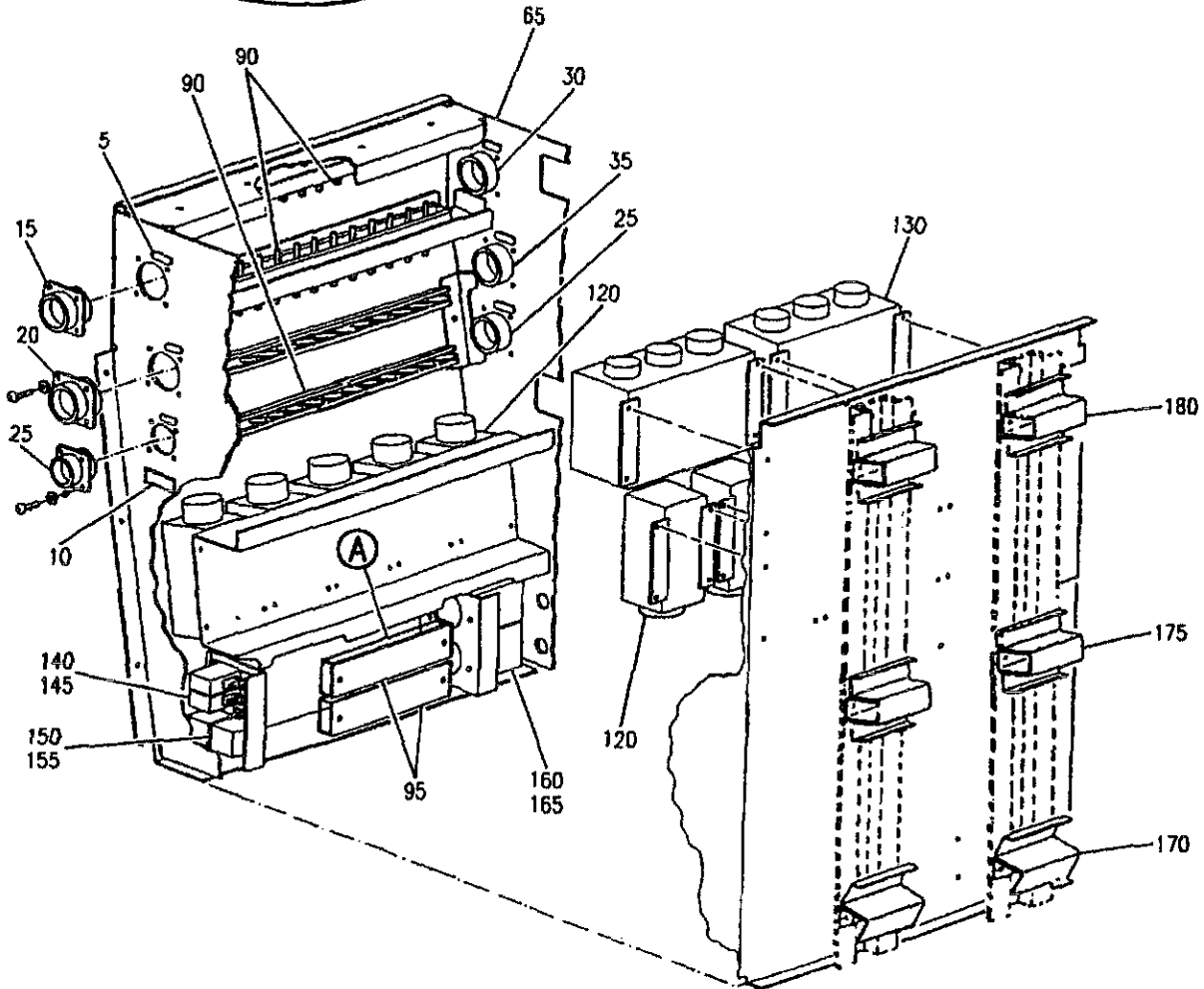
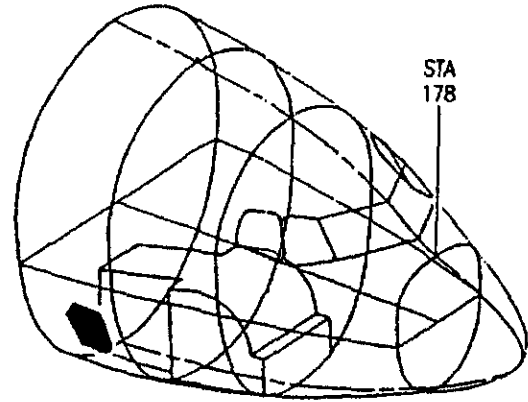
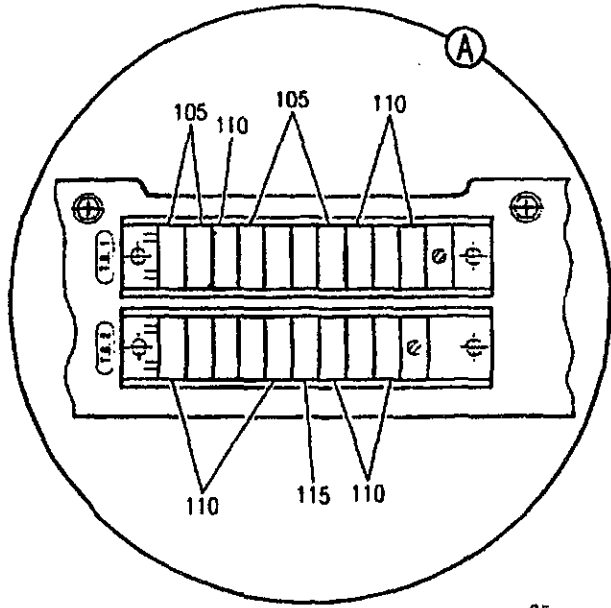
MISSING ITEM NUMBERS ARE NOT APPLICABLE

RAF
NOV 21/01

34-00-19B

DETAILED PARTS LIST
34-08-19B
PAGE 1

BOEING
707
PARTS CATALOG (MAINTENANCE)



A 340820B REV 272

NAVIGATION-ELECTRONIC RACK
FIGURE 20B. EQUIPMENT INSTL. RADIO/NAVIGATION

DETAILED PARTS LIST
34-08-20B
PAGE 0

34-08-20B

NOV 21/01

BOEING

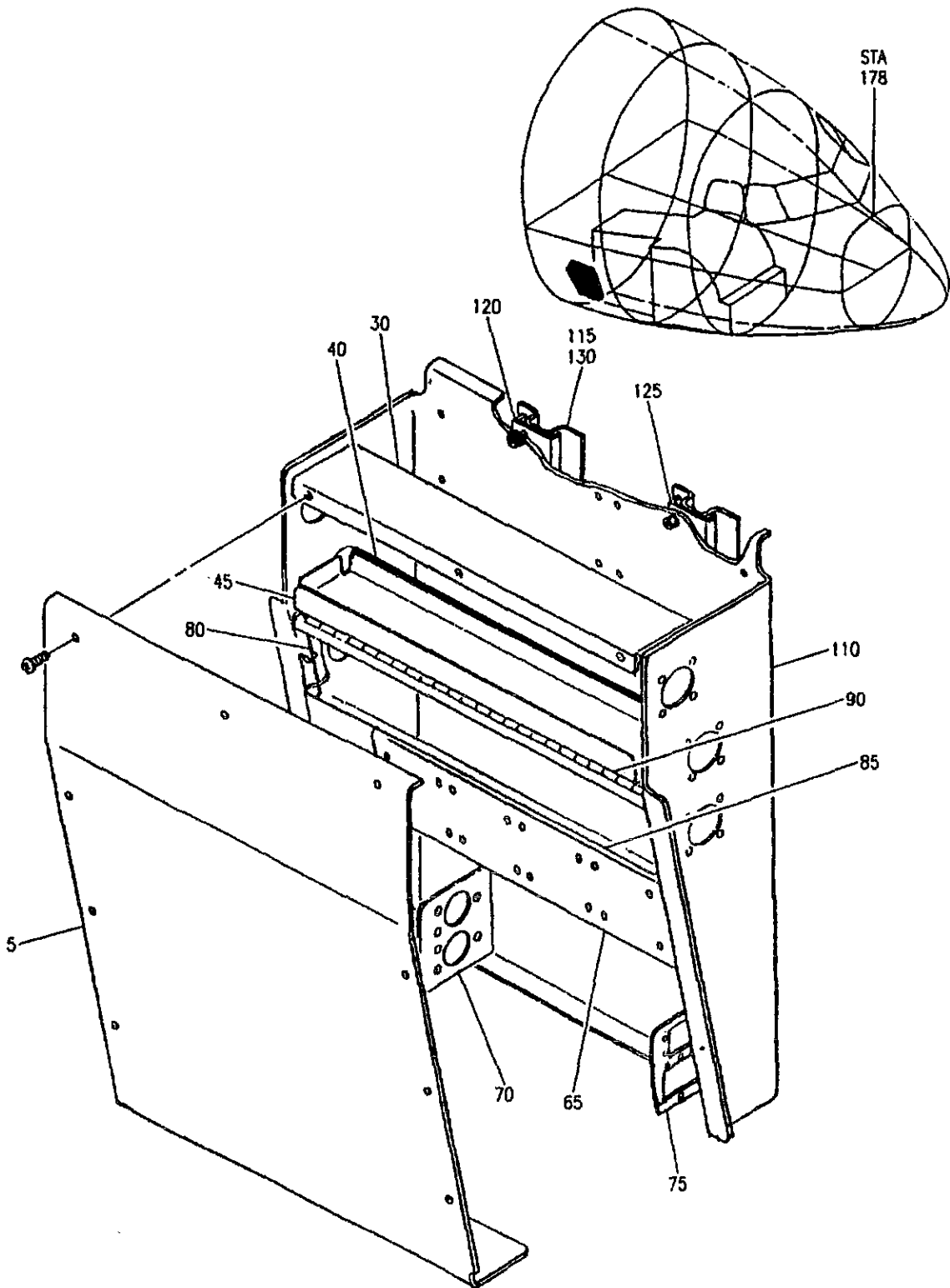
707

PARTS CATALOG (MAINTENANCE)

FIGURE & ITEM NO.	MANUFACTURER'S PART NUMBER	NOMENCLATURE							EFF FROM TO	UNITS PER ASSY
		1	2	3	4	5	6	7		
R	20B								0150	
R										
R										
R		391-34-50-74135-001							0150	1
R										
R	5	391-11-00-73978-107							0150	6
R	10	391-11-00-73978-113							0150	1
R	15	MS3470L22-55PW							0150	1
R	20	MS3470L22-55P							0150	1
R	25	MS3470L18-32P							0150	2
R	30	MS3470L22-55PY							0150	1
R	35	MS3470L22-55PZ							0150	1
R										
R		NAS6006-6							0150	24
R		MS15795-803							0150	24
R		MS21042-04							0150	24
R										
R		M8504931-18N							0150	2
R		M8504931-22N							0150	4
R	65	391-34-50-74136-001							0150	1
R										
R		MS600-8							0150	5
R		AN960C6							0150	40
R		MS21042-06							0150	40
R		MS2104A04							0150	5
R	90	MS27212-1-20							0150	5
R	95	MB17145-1							0150	2
R										
R		NAS514P632-8							0150	4
R										
R	105	MB171417D35							0150	6
R	110	MB171417D37							0150	12
R	115	MB171417D45							0150	1
R	120	128941-001							0150	10
R										
R		NAS1096-1-7							0150	40
R										
R	130	172934-001							0150	2
R										
R		NAS1096-3-8							0150	8
R										
R	140	JLD1N							0150	2
R	145	S0-1056-8690							0150	2
R	150	KLD1N							0150	2
R	155	S0-1056-8691							0150	2
R	160	9226-4429							0150	2
R	165	S0-1018-7119							0150	2
R	170	391-34-50-74136-011							0150	2
R	175	391-34-50-74136-013							0150	2
R	180	391-34-50-74136-015							0150	2
R										
R		NAS1096-3-8							0150	12

MISSING ITEM NUMBERS ARE NOT APPLICABLE

BOEING
707
PARTS CATALOG (MAINTENANCE)



NAVIGATION-RACK
FIGURE 20C. SWITCHING ENCLOSURE INSTL. RADIO/NAVIGATION

A 3408020C REV 272

DETAILED PARTS LIST
34-08-20C
PAGE 0

34-08-20C

NOV 21/01

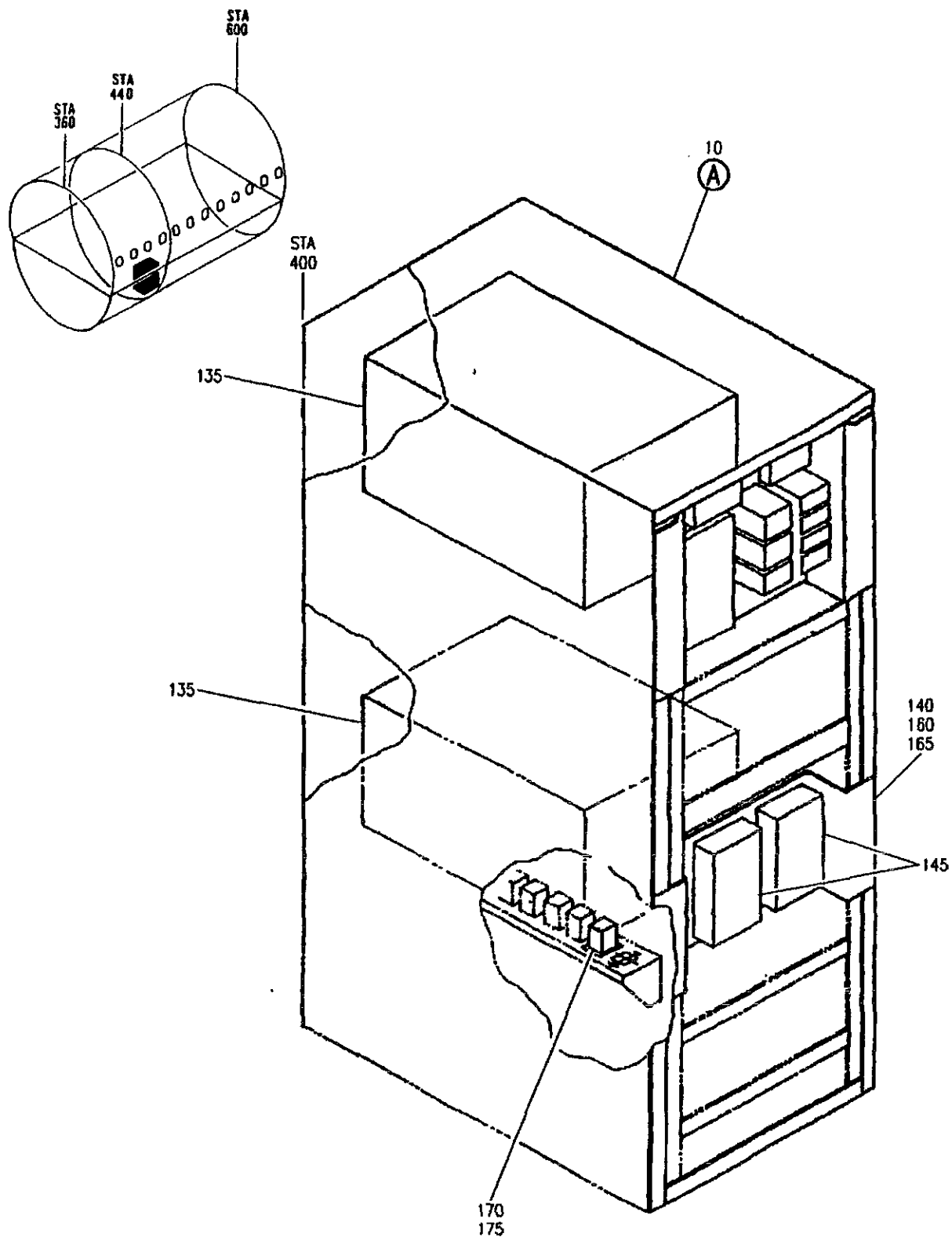
BOEING

707
PARTS CATALOG (MAINTENANCE)

FIGURE & ITEM NO.	MANUFACTURER'S PART NUMBER	NOMENCLATURE							EFF FROM TO	UNITS PER ASSY
		1	2	3	4	5	6	7		
R	20C	SWITCHING ENCLOSURE INSTL, RADIO/NAVIGATION							0150	
R		391-34-50-74316-001	ENCLOSURE INSTL, SWITCHING RADIO/NAVIGATION (VZ0031) . .						0150	1
R			ADDED BY REF MOD 7211.019-4)							
R	5	391-34-50-74136-101	. LID, (VZ0031)						0150	1
R		AN525-10R8	ATTACHING PARTS							
R			. SCREW						0150	9
R		391-34-50-74136-007	. SUPPORT ASSY, TERMINAL (VZ0031)						0150	1
R		MS21266-2N	. . GROMMET						0150	1
R		MS21047L3	. . NUTPLATE						0150	9
R	30	391-34-50-74136-107	. . SUPPORT, (VZ0031)						0150	1
R		391-34-50-74136-009	. SUPPORT ASSY, TERMINAL (VZ0031)						0150	1
R	40	MS21266-2N	. . GRMMET						0150	1
R	45	391-34-50-74136-109	. . SUPPORT, (VZ0031)						0150	1
R		391-34-50-74136-017	. STANDOFF ASSY, (VZ0031)						0150	1
R		MS21047L06	. . NUTPLATE						0150	16
R		MS21051L06	. . NUTPLATE						0150	4
R	65	391-34-50-74136-127	. STANDOFF, (VZ0031)						0150	1
R	70	391-34-50-74136-117	. BRACKET, (VZ0031)						0150	1
R	75	391-34-50-74136-119	. BRACKET, (VZ0031)						0150	1
R	80	391-34-50-74136-121	. BRACKET, (VZ0031)						0150	2
R	85	391-34-50-74136-123	. PANEL, (VZ0031)						0150	1
R	90	391-34-50-74136-125	. HINGE, (VZ0031)						0150	1
R			ATTACHING PARTS							
R		AN525-832R8	. SCREW						0150	2
R		391-34-50-74136-003	. BASE ASSY, (VZ0031)						0150	1
R		MS21047L06	. . NUTPLATE						0150	20
R	110	391-34-50-74136-103	. . BASE, (VZ0031)						0150	1
R	115	391-34-50-74136-005	. RAIL ASSY, (VZ0031)						0150	2
R	120	391-34-50-74136-129	. . STIFFENER, (VZ0031)						0150	1
R	125	391-34-50-74136-130	. . STIFFENER, (VZ0031)						0150	1
R	130	391-34-50-74136-105	. . RAIL						0150	1
R			ATTACHING PARTS							
R		NAS1096-3-9	. . SCREW						0150	3
R		AN960-10L	. . WASHER						0150	3
R		MS21047L3	. . NUTPLATE						0150	2
R		MS21051L3	. . NUTPLATE						0150	1

MISSING ITEM NUMBERS ARE NOT APPLICABLE

BOEING
707
PARTS CATALOG (MAINTENANCE)



A 3408021A SHT 1 REV 272

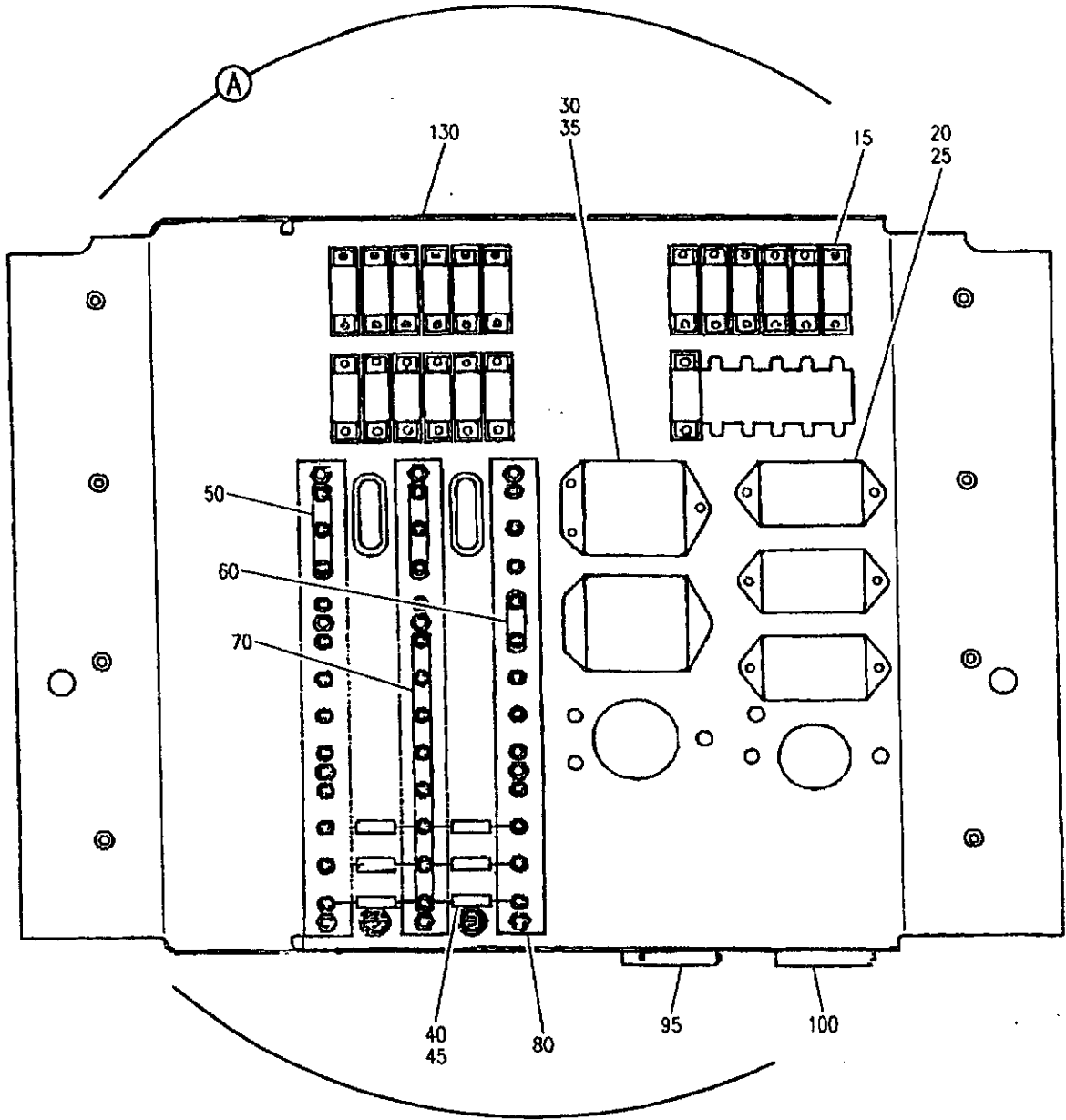
NAVIGATION-ELECTRONIC RACK
FIGURE 21A. EQUIPMENT INSTL. INS RACK (SHEET 1)

DETAILED PARTS LIST
34-08-21A
PAGE 0

34-08-21A

NOV 21/01


BOEING
 707
 PARTS CATALOG (MAINTENANCE)



A 3408021A SHT 2 REV 272

NAVIGATION-ELECTRONIC RACK
 FIGURE 21A. EQUIPMENT INSTL, INS RACK (SHEET 2)

NOV 21/01

34-08-21A

DETAILED PARTS LIST
 34-08-21A
 PAGE 1

BOEING

707

PARTS CATALOG (MAINTENANCE)

FIGURE & ITEM NO.	MANUFACTURER'S PART NUMBER	NOMENCLATURE 1 2 3 4 5 6 7	EFF	UNITS
			FROM TO	PER ASSY
R 21A	391-34-40-17005-001	EQUIPMENT INSTL, INS RACK	0103	
R		EQUIPMENT INSTL, INS RACK (VZ0031) (ADDED BY RAF MOD. 7211.019-4)	0103	1
R	391-34-40-17007-001	. PANEL ASSY, INS RELAY (VZ0031).	0103	1
R	10 XD4N	. . RELAY, (V35344)	0103	19
R	15 9220-4402	. . RELAY, (V35344)	0103	3
R	20 30-1010-7115	. . SOCKET, (V35344)	0103	3
R	25 9226-4429	. . RELAY, (V35344)	0103	2
R	30 50-1018-7119	. . SOCKET, (V35344)	0103	2
R	35 1N4004	. . DIODE	0103	6
R	40 M7928-145	. . LUG	0103	12
R	45 MS25226-2-3	. . LINK, TERMINAL	0103	2
R		ATTACHING PARTS		
R	MS21042-06	. . NUT	0103	6
R		*-----*		
R	60 MS25226-2-2	. . LINK, TERMINAL	0103	1
R		ATTACHING PARTS		
R	MS21042-06	. . NUT	0103	2
R		*-----*		
R	70 MS25226-2-8	. . LINK, TERMINAL	0103	1
R		ATTACHING PARTS		
R	MS21042-06	. . NUT	0103	8
R		*-----*		
R	80 MS27212-1-12	. . TERMINAL BOARD	0103	3
R		ATTACHING PARTS		
R	MS24693S5	. . SCREW	0103	9
R	MS21044N04	. . NUT	0103	9
R		*-----*		
R	95 MS3470L22-55P	. . RECEPTACLE, WALLMOUNT	0103	1
R	100 MS3470L22-55PY	. . RECEPTACLE, WALLMOUNT	0103	1
R		ATTACHING PARTS		
R	NAS600-6	. . SCREW	0103	8
R	MS15795-803	. . WASHER	0103	8
R	MS21042-04	. . NUT	0103	8
R		*-----*		
R	MS3416-22E	. . NUT, GROMMET	0103	2
R	132 391-34-40-17006-001	. . PANEL, RELAY (VZ0031)	0103	1
R	135 463001-7130-1501	. . UNIT, INERTIAL NAVIGATION (V30782)	0103	2
R	140 391-34-40-17008-001	. . PANEL ASSY, SIGNAL ADAPTER (VZ0031)	0103	1
R	145 454578-01	. . ADAPTER UNIT, SIGNAL (V30782)	0103	2
R		ATTACHING PARTS		
R	MS35206-245	. . SCREW	0103	3
R	AN960-8L	. . WASHER	0103	3
R		*-----*		
R	160 391-34-40-17008-003	. . PANEL, (VZ0031)	0103	1
R	165 391-34-40-17008-101	. . PANEL, (VZ0031)	0103	1
R	170 9223-4833	. . RELAY, (V35344)	0103	1
R	175 50-1022-7129	. . SOCKET, (V35344)	0103	1

MISSING ITEM NUMBERS ARE NOT APPLICABLE

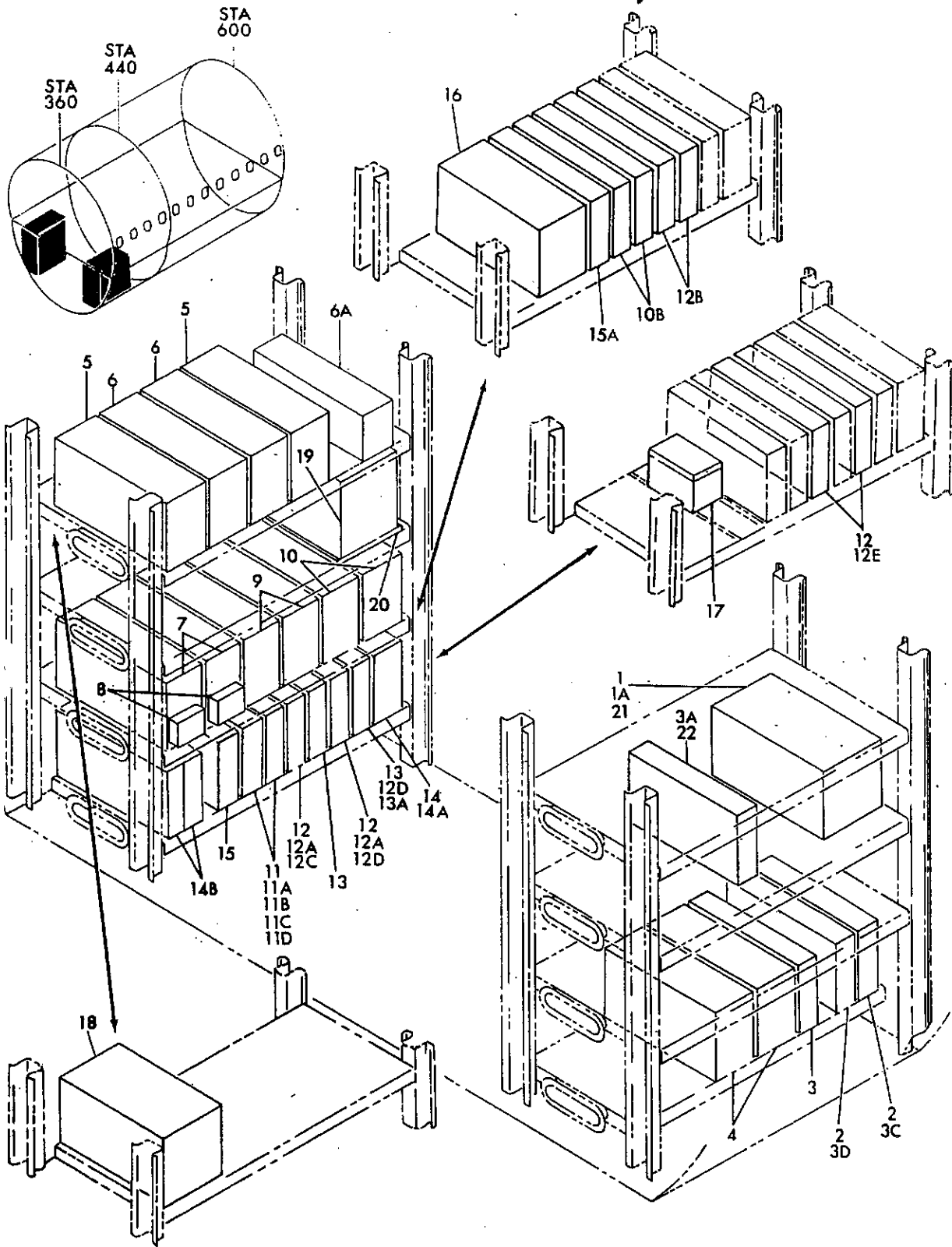


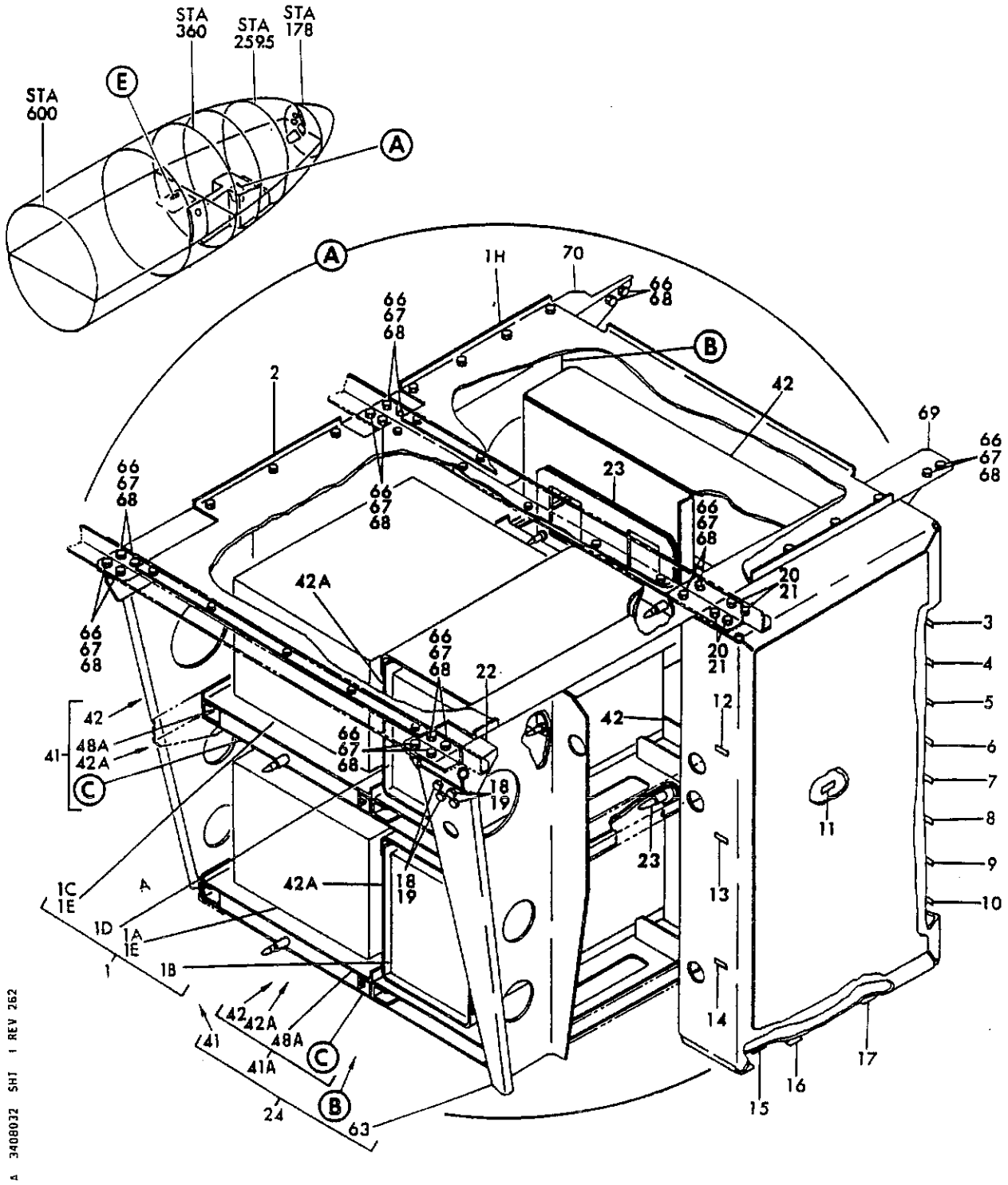
FIGURE 28A. EQUIPMENT INSTL, LH RADIO RACK (NAVIGATION ONLY)
EQUIPMENT INSTL, RH RADIO RACK (NAVIGATION ONLY)



PARTS CATALOG

FIGURE & ITEM NO.	MANUFACTURER'S PART NUMBER	NOMENCLATURE							EFF FROM TO	UNITS PER ASSY
		1	2	3	4	5	6	7		
28A		EQUIPMENT INSTL, LH RADIO RACK (NAVIGATION ONLY)							5199	
		EQUIPMENT INSTL, RH RADIO RACK (NAVIGATION ONLY)							5199	
	65-1343-205	EQUIPMENT INSTL, LH RADIO RACK (NAVIGATION ONLY) (SEE 24-3, FIG. 6F, ITEM 9)							5199	RF
1	1201A1-002	. . . PROCESSOR, SIGNAL (V25950) (CUSTOMER FURNISHED) . . .							5199	1
2	777-1492-002	. . . RECEIVER, ADF NO. 1 AND NO. 2 (V13499) (CUSTOMER FURNISHED) (DELETED BY SVA E.O. 90378)							5151	2
2	777-1492-004	. . . RECEIVER, ADF NO. 1 AND NO. 2 (V13499) (CUSTOMER FURNISHED) (ADDED BY SVA E.O. 90378)							5151	2
3	522-2996-011	. . . RECEIVER, MARKER BEACON (TYPE 5124) (V13499)							5199	1
4	522-4280-107	. . . RECEIVER, VOR/ILS NO. 1 AND NO. 2 (V13499)							5199	2
		(TYPE NO.;51RV28) (CUSTOMER FURNISHED)								
		. . . FOR REFERENCE TO OTHER EQUIPMENT DETAILS, SEE NHA							5199	
	65-1343-206	EQUIPMENT INSTL, ELECTRONIC RACK RH (NAVIGATION ONLY) (SEE 24-3, FIG. 6F, ITEM 10)							5199	RF
5	TRACKER	. . . TRACKER, DOPPLER (CUSTOMER FURNISHED)							5199	2
6	COMPUTER	. . . COMPUTER, DOPPLER (CUSTOMER FURNISHED)							5199	2
7	10-61439-248	. . . COMPUTER, CADS NO. 1 AND NO. 2 (SAME AS HG180U263 (V94580) (DELETED BY SVA E.O. 81107)							5299	2
7	HG180U248	. . . COMPUTER, CADS NO. 1 AND NO. 2 (V94580) (SAME AS BAC SPEC NO.;10-61439-248) (DELETED BY SVA E.O. 81107)							5299	2
7	10-61439-248	. . . COMPUTER, CADS NO. 1 AND NO. 2 (SAME AS HG180U248 (V94580) (CUSTOMER FURNISHED) (DELETED BY RAF MOD 7211.019-156)							5151	2
7	HG180U248	. . . COMPUTER, CADS NO. 1 AND NO. 2 (V94580) (SAME AS BAC SPEC NO.;10-61439-248) (DELETED BY RAF MOD 7211.019-156)							5151	2
7	HG180U263	. . . COMPUTER, CADS NO. 1 AND NO. 2 (V94580) (ADDED BY SVA E.O. 81107 AND DELETED BY RAF MOD 7211.019-156)							5299	2
7	10-61439-263	. . . COMPUTER, CADS NO. 1 AND NO. 2 (SAME AS HG180U263 (V94580) (ADDED BY SVA E.O. 81107 AND DELETED BY RAF MOD 7211.019-156)							5299	2
7	HG480B15	. . . COMPUTER, CADS NO. 1 AND NO. 2 (V94580) (ADDED BY RAF MOD 7211.019-156)							5199	2
8	10-61439-103	. . . ADAPTER, CADS COMPUTER							5199	2
9	787-6211-001	. . . TRANSPONDER, ATC (V13499) (TYPE NO.;621A6)							5151	2
		(CUSTOMER FURNISHED) (DELETED BY SVA E.O. 81438)								
9	622-2224-001	. . . TRANSPONDER, ATC (V13499) (TYPE NO.;621A6A)							5151	2
		(CUSTOMER FURNISHED) (ADDED BY SVA E.O. 81438)								
10	522-4209-001	. . . INTERROGATOR, DME (TYPE 860E3) (V13499)							5151	2
		(DELETED BY SVA E.O. 81438)								
10	622-2921-001	. . . INTERROGATOR, DME (TYPE NO.;860E5) (V13499)							5151	2
		(ADDED BY SVA E.O. 81438)								
11	65-1343-117	. . . AMPLIFIER ASSY, COMPASS NO. 1 AND NO. 2							5199	2
11A	614937-101	. . . RACK, (V58960)							5199	1
11B	1775143	. . . POWER SUPPLY, (V58960)							5199	1
11C	1783867-11	. . . AMPLIFIER, SERVO (V58960)							5199	1
11D	2585703-2	. . . AMPLIFIER, SLAVING (V58960)							5199	1
12	522-3121-171	. . . COMPUTER, FLIGHT STEERING NO. 1 AND NO. 2 (TYPE NO.;562A5F) (V13499)							5199	2
12C	2588424-902	. . . RACK, TURN RATE (V58960)							5199	1
12D	622-2500-001	. . . COMPUTER, FLIGHT STEERING NO. 1 AND NO. 2 (TYPE NO.;562A5F5) (V13499)							5199	2
13	522-3120-004	. . . AMPLIFIER, FLIGHT INSTRUMENT NO. 1 AND NO. 2 (TYPE NO.;344C1D) (V13499)							5199	2
13B	65-52805-228	. . . ACCESSORY UNIT ASSY, FLIGHT INSTRUMENTS							5199	1
		(SEE 34-10, FIG. 61)								
14	522-3948-001	. . . AMPLIFIER, NAVIGATION WARNING (V13499) (CUSTOMER FURNISHED)							5199	1
15A	965-0376-070	. . . COMPUTER, GROUND PROXIMITY (V97896) (DELETED BY SB 3336)							5199	1
15A	965-0476-070	. . . COMPUTER, GROUND PROXIMITY (V97896) (ADDED BY SB 3336)							5199	1
		. . . FOR REFERENCE TO OTHER EQUIPMENT DETAILS, SEE NHA							5199	

MISSING ITEM NUMBERS ARE NOT APPLICABLE



A 3408032 SHT 1 REV 262

EQUIPMENT INSTL, INERTIAL NAVIGATION RJ28
FIGURE 32. RACK INSTL, STA 328 INERTIAL NAVIGATION RJ28 (SHEET 1)

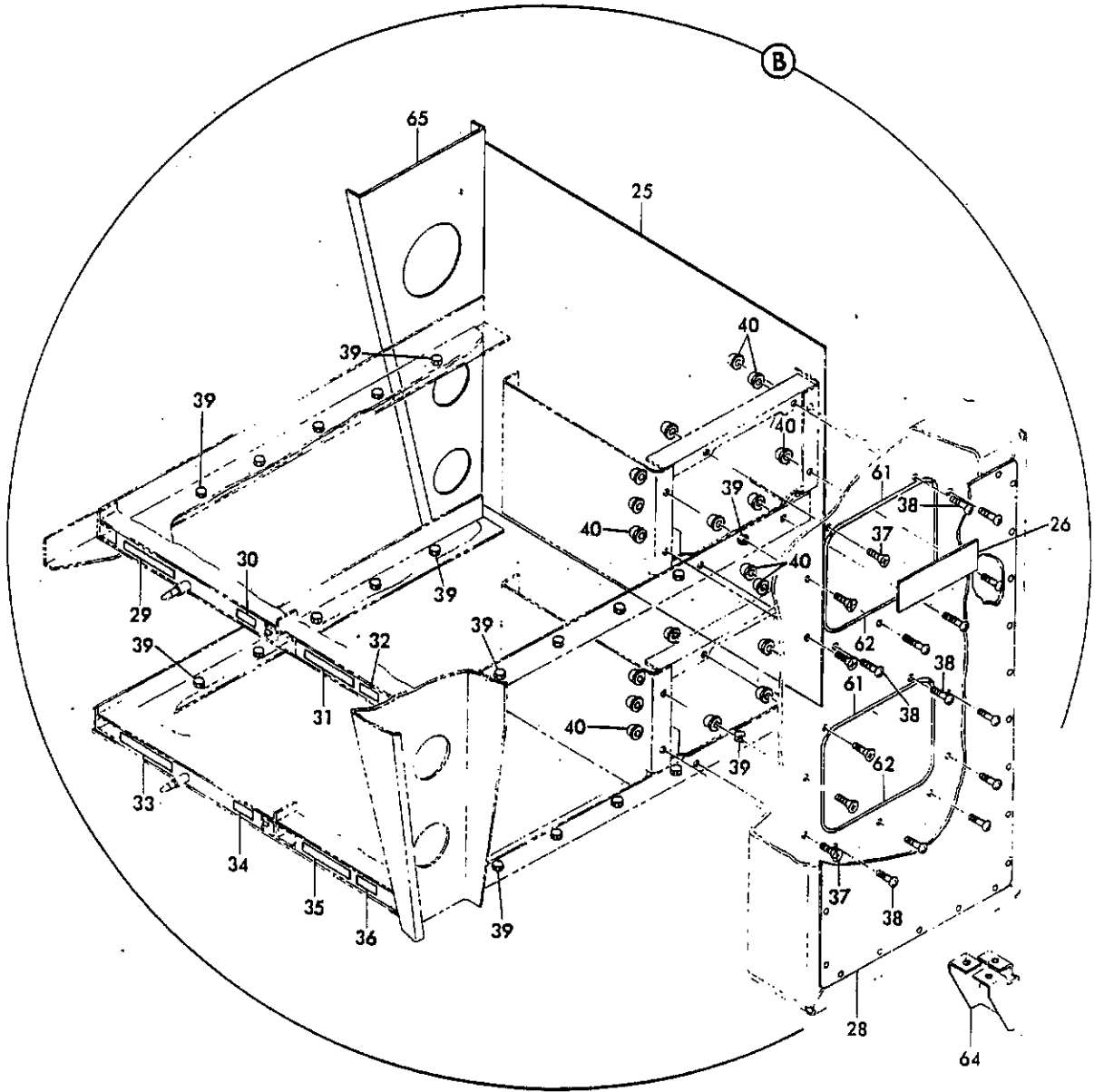
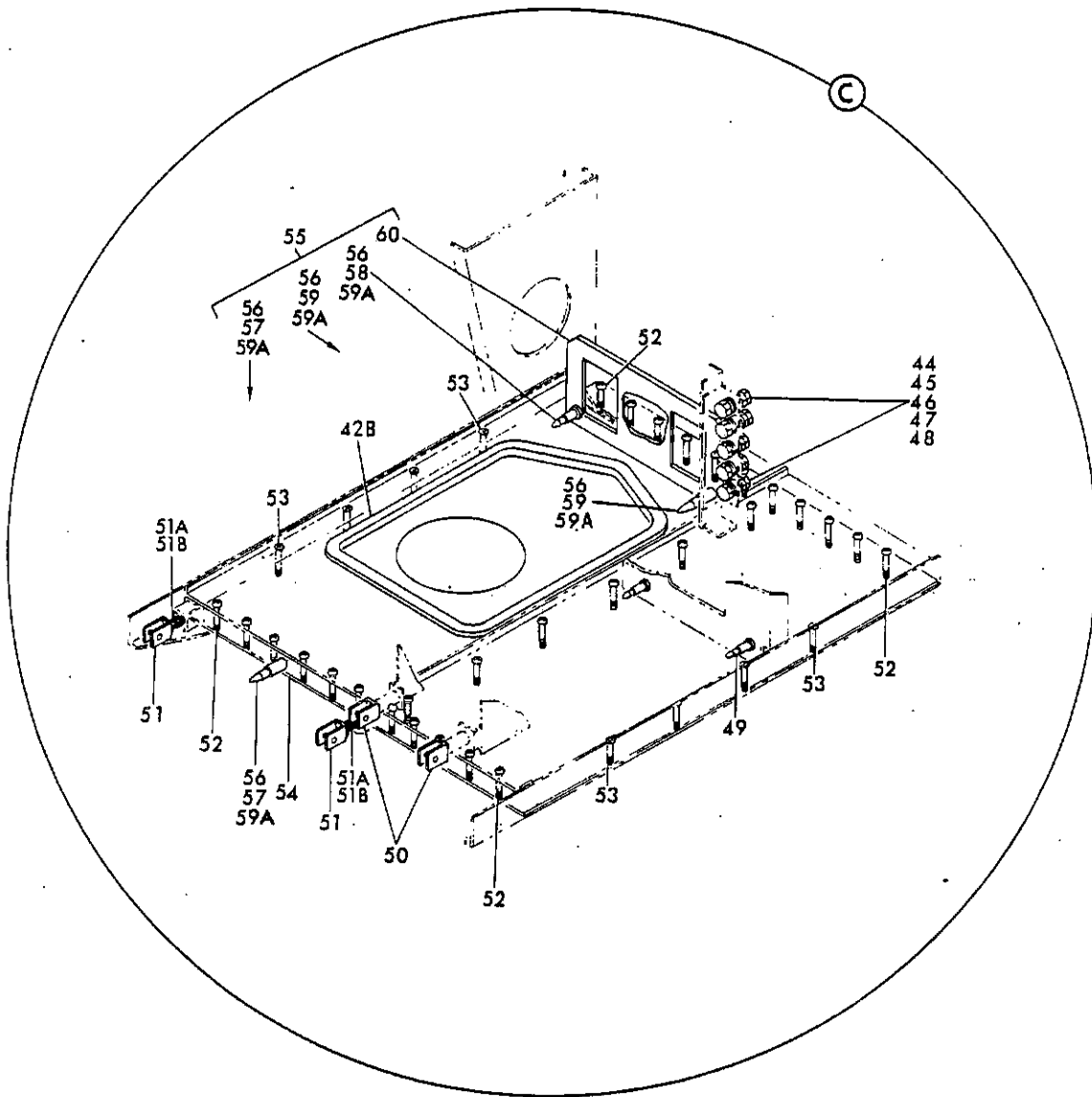
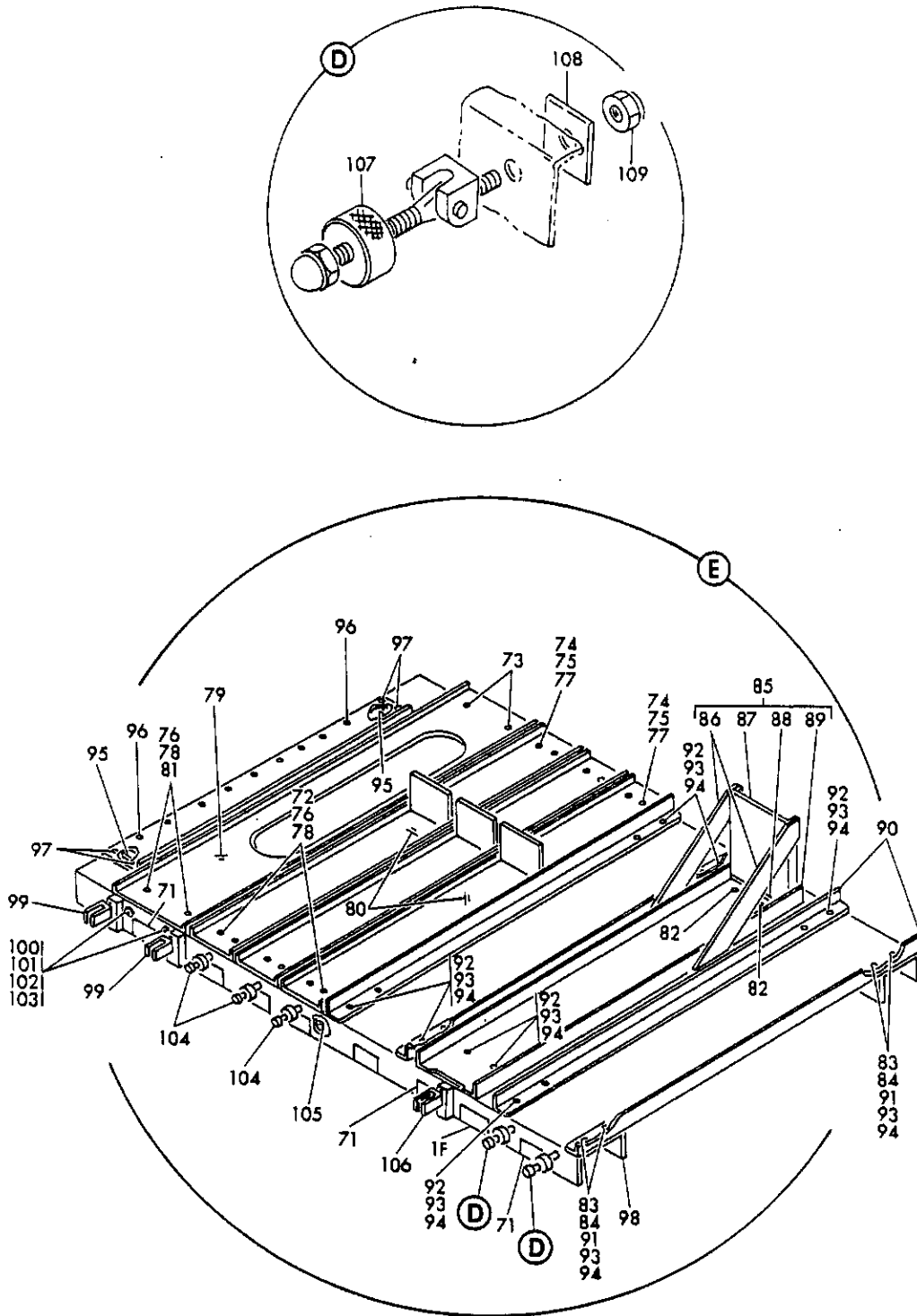


FIGURE 32. EQUIPMENT INSTL, INERTIAL NAVIGATION RJ 28
 RACK INSTL, STATION 328 INERTIAL NAVIGATION RJ 28 (SHEET 2)



EQUIPMENT INSTL, INERTIAL NAVIGATION RJ28
FIGURE 32. RACK INSTL, STA 328 INERTIAL NAVIGATION RJ28 (SHEET 3)



EQUIPMENT INSTL, INTERVAL NAVIGATION RJ28
 FIGURE 32. RACK INSTL, STA 328 INTERVAL NAVIGATION RJ28 (SHEET 4)



PARTS CATALOG

FIGURE & ITEM NO.	MANUFACTURER'S PART NUMBER	1 2 3 4 5 6 7	NOMENCLATURE	EFF FROM TO	UNITS PER ASSY
R 32			EQUIPMENT INSTL, INERTIAL NAVIGATION RJ28	5199	
R			RACK INSTL, STATION 328 INERTIAL NAVIGATION SYSTEM RJ28	5199	
R	65-69908-1		. EQUIPMENT INSTL, INERTIAL NAVIGATION RJ28 (VARIABLE	5151	RF
R			DWG;65-69908-5011) (SEE 24-3, FIG. 5D, ITEM 103)		
R	65-69908-1		. EQUIPMENT INSTL, INERTIAL NAVIGATION RJ28 (VARIABLE	5299	RF
R			DWG;65-69908-5012) (SEE 24-3, FIG. 5D, ITEM 103)		
R	1 65-69908-18		. . . COMPONENTS INSTL.	5151	1
R	1 65-69908-19		. . . COMPONENTS INSTL.	5299	1
R	1A 663450-08		. . . UNIT, INS NAV (V30782) (CUSTOMER FURNISHED)	5199	1
R			(DELETED BY RAF MOD 7211.019-215)		
R	1B 500012-01		. . . UNIT, INS BATTERY (V30782) (CUSTOMER FURNISHED)	5199	1
R	1C 663450-08		. . . UNIT, INS NAV (V30782) (CUSTOMER FURNISHED)	5199	1
R			(DELETED BY RAF MOD 7211.019-215)		
R	1D 500012-01		. . . UNIT, INS BATTERY (V30782) (CUSTOMER FURNISHED)	5199	1
R	1E 463001-04-05		. . . UNIT, INS NAV (V30782) (CUSTOMER FURNISHED)	5199	2
R			(ADDED BY RAF MOD 7211.019-215)		
R	65-69909-1		. RACK INSTL, STATION 328 INERTIAL NAVIGATION SYSTEM.	5199	RF
R			(VARIABLE DWG;65-69909-5004) (SEE 24-3, FIG. 5D,		
R			ITEM 104 AND 24-3, FIG. 5F, ITEM 60A)		
R	1H 65-69909-4		. . . SHIELD, DRIP.	5199	1
R			ATTACHING PARTS		
R	BACS12CB3-6		. . . SCREW	5199	13
R	BACN10JC3		. . . NUT	5199	13
R	2 65-69909-3		. . . SHIELD, DRIP.	5199	1
R			ATTACHING PARTS		
R	BACS12CB3-6		. . . SCREW	5199	17
R	BACN10JC3		. . . NUT	5199	17
R	3 BAC27CEE493		. . . MARKER-RJ28A ALUMINUM FOIL.	5199	1
R	4 BAC27CEE494		. . . MARKER-RJ28B ALUMINUM FOIL.	5199	1
R	5 BAC27CEE495		. . . MARKER-RJ28C ALUMINUM FOIL.	5199	1
R	6 BAC27CEE496		. . . MARKER-RJ28D ALUMINUM FOIL.	5199	1
R	7 BAC27CEE497		. . . MARKER-RJ28E ALUMINUM FOIL.	5199	1
R	8 BAC27CEE498		. . . MARKER-RJ28F ALUMINUM FOIL.	5199	1
R	9 BAC27CEE499		. . . MARKER-RJ28G ALUMINUM FOIL.	5199	1
R	10 BAC27CEE500		. . . MARKER-RJ28H ALUMINUM FOIL.	5199	1
R	11 BAC27CEE501		. . . MARKER-RJ28K ALUMINUM FOIL.	5199	1
R	12 BAC27CEE502		. . . MARKER-RJ28L ALUMINUM FOIL.	5199	1
R	13 BAC27CEE503		. . . MARKER-RJ28M ALUMINUM FOIL.	5199	1
R	14 BAC27CEE504		. . . MARKER-RJ28N ALUMINUM FOIL.	5199	1
R	15 BAC27CEE505		. . . MARKER-RJ28R ALUMINUM FOIL.	5199	1
R	16 BAC27CEE506		. . . MARKER-RJ28S ALUMINUM FOIL.	5199	1
R	17 BAC27CEE507		. . . MARKER-RJ28T ALUMINUM FOIL.	5199	1
R	18 BACS12CB3-6		. . . SCREW	5199	4
R	19 BACN10JC3		. . . NUT	5199	4
R	20 BACB30NF3-4		. . . BOLT.	5199	4
R	21 NAS679A3W		. . . NUT	5199	4
R	22 65-69909-17		. . . BRACKET, SIDE LOAD.	5199	1
R	23 69-55847-3		. . . PLATE ASSY, ADAPTER MOUNTING.	5199	2
R			ATTACHING PARTS		
R	NAS601-9P		. . . SCREW	5199	18
R	BACN10R6L		. . . NUT	5199	18
R	24 65-69909-38		. . . RACK ASSY, (NAVIGATION ONLY).	5199	1
R			ATTACHING PARTS		
R	BACB30NE4-3		. . . BOLT.	5199	20
R	AN960C416		. . . WASHER.	5199	20
R	BACN10JC4		. . . NUT	5199	20
R	25 65-69909-24		. . . PANEL ASSY, FORWARD SHEAR	5199	1
R			ATTACHING PARTS		
R	BACS12CB3-6		. . . SCREW	5199	10
R	26 BAC27CEE448		. . . MARKER-RJ28 INS RACK ALUMINUM FOIL.	5199	1
R	28 65-69909-29		. . . COVER	5199	1
R			ATTACHING PARTS		
R	BACS12CB3-8		. . . SCREW	5199	24
R	29 BAC27CEE444		. . . MARKER-INS NAV UNIT NO. 1 ALUMINUM FOIL	5199	1
R	30 BAC27CEE461		. . . MARKER-RM1777 ALUMINUM FOIL	5199	1
R	31 BAC27CEE446		. . . MARKER-INS BATTERY NO. 1 ALUMINUM FOIL.	5199	1
R	32 BAC27CEE462		. . . MARKER-RM1792 ALUMINUM FOIL	5199	1
R	33 BAC27CEE445		. . . MARKER-INS NAV UNIT NO. 2 ALUMINUM FOIL	5199	1

MISSING ITEM NUMBERS ARE NOT APPLICABLE



PARTS CATALOG

FIGURE & ITEM NO.	MANUFACTURER'S PART NUMBER	NOMENCLATURE	EFF	UNITS
			FROM TO	PER ASSY
R 32	34	BAC27CEE463	5199	1
R	35	BAC27CEE447	5199	1
R	36	BAC27CEE464	5199	1
R	37	NAS514P632-5	5199	6
R	38	NAS601-5P	5199	12
R	39	BACS12CB3-6	5199	20
R	40	BACN10R6L	5199	18
R	41	65-69907-29	5199	1
R	41A	65-69907-29	5199	1
R	42	65-69907-5	5199	1
R	42A	65-69907-31	5199	1
R	42B	65-38504-9	5199	1
R	42B	65-38504-66	5199	1
R	44	BACN10JC3	5199	5
R	45	MS20341-10A	5199	5
R	46	AN960D10L	5199	10
R	47	MS35338-43	5199	5
R	48	BACS12CB3-14	5199	5
R	48A	65-69907-26	5199	1
R	49	116387-4	5199	2
R	49	121266	5199	2
R	50	D4800-5P	5199	2
R	51	DBC4500-7	5199	2
R	51	DB4500-7	5199	2
R	51A	MS35337-44	5199	2
R	51B	MS20341-416A	5199	2
R	52	NAS601-6P	5199	28
R	53	NAS514P632-6P	5199	8
R	54	65-69907-2	5199	1
R	55	65-69904-2	5199	1
R	56	BACN10JC4	5199	3
R	57	69-55849-2	5199	1
R	57	69-55849-4	5199	1
R	58	69-55849-1	5199	1
R	58	69-55849-3	5199	1
R	59	69-55848-1	5199	1
R	59	69-55848-2	5199	1
R	59A	AN961-10T	5199	3
R	60	69-55847-1	5199	1
R		BACB30NE4-8	5199	4
R		NAS679A4W	5199	4
R	61	BACG20ZC635	5199	2
R	62	BACG20ZB1430	5199	2
R	63	65-69909-9	5199	1
R	64	65-69909-33	5199	1
R		NAS601-5P	5199	3
R		BACN10JC06	5199	3
R	65	65-69909-10	5199	1
R	66	BACB30NE4-3	5199	18
R	67	AN960C416	5199	16
R	68	BACN10JC4	5199	18
R	69	65-69909-6	5199	1
R	70	65-69909-5	5199	1

MISSING ITEM NUMBERS ARE NOT APPLICABLE

BOEING *707* *Intercontinental* 
PARTS CATALOG

SECTION 09
INSTRUMENT PANELS

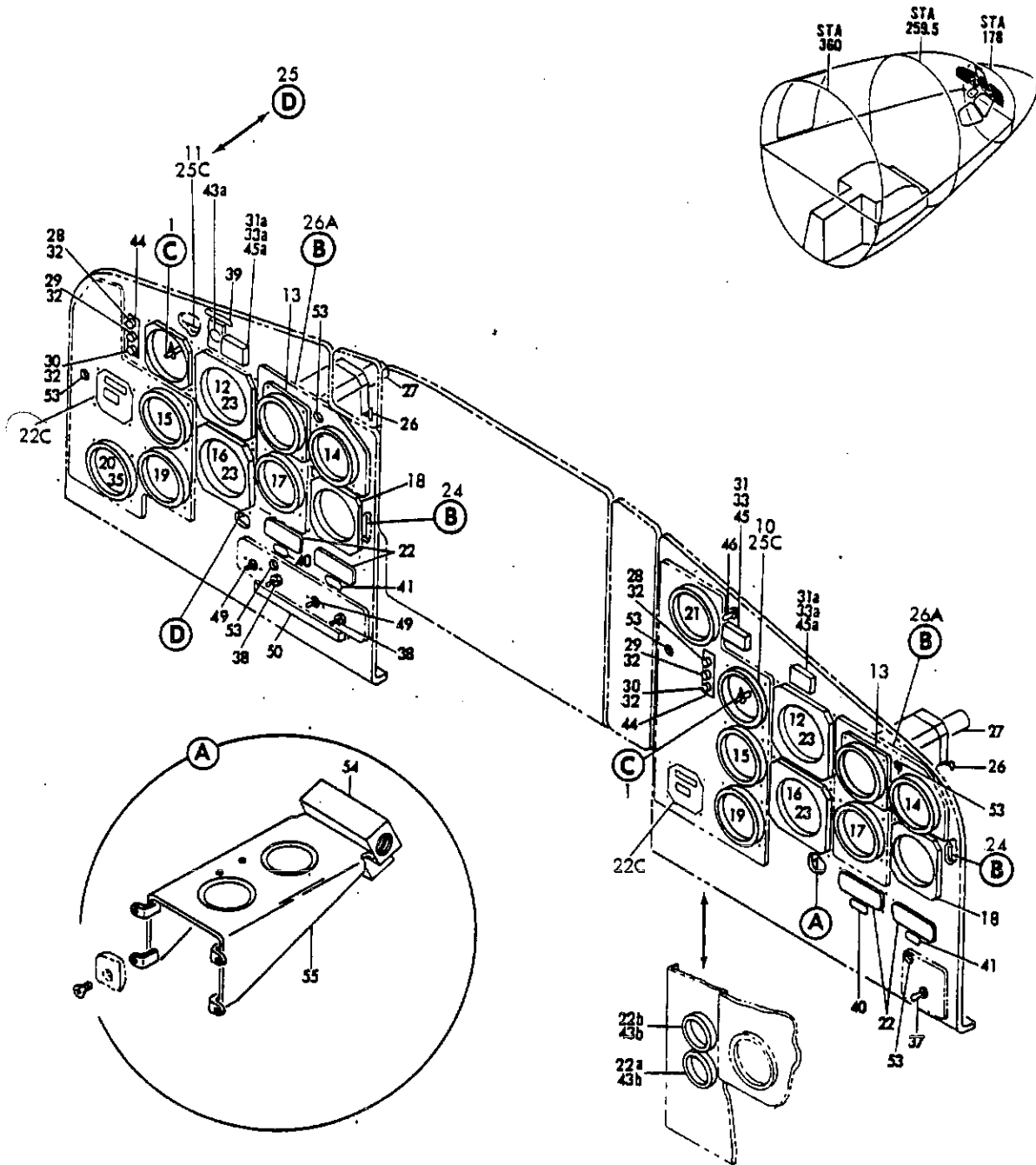


FIGURE 20E. PANEL INSTL, P8 PILOTS MAIN INSTRUMENT (NAVIGATION ONLY)
PANEL INSTL, P10 COPILOTS MAIN INSTRUMENT (NAVIGATION ONLY) (SHEET 1)

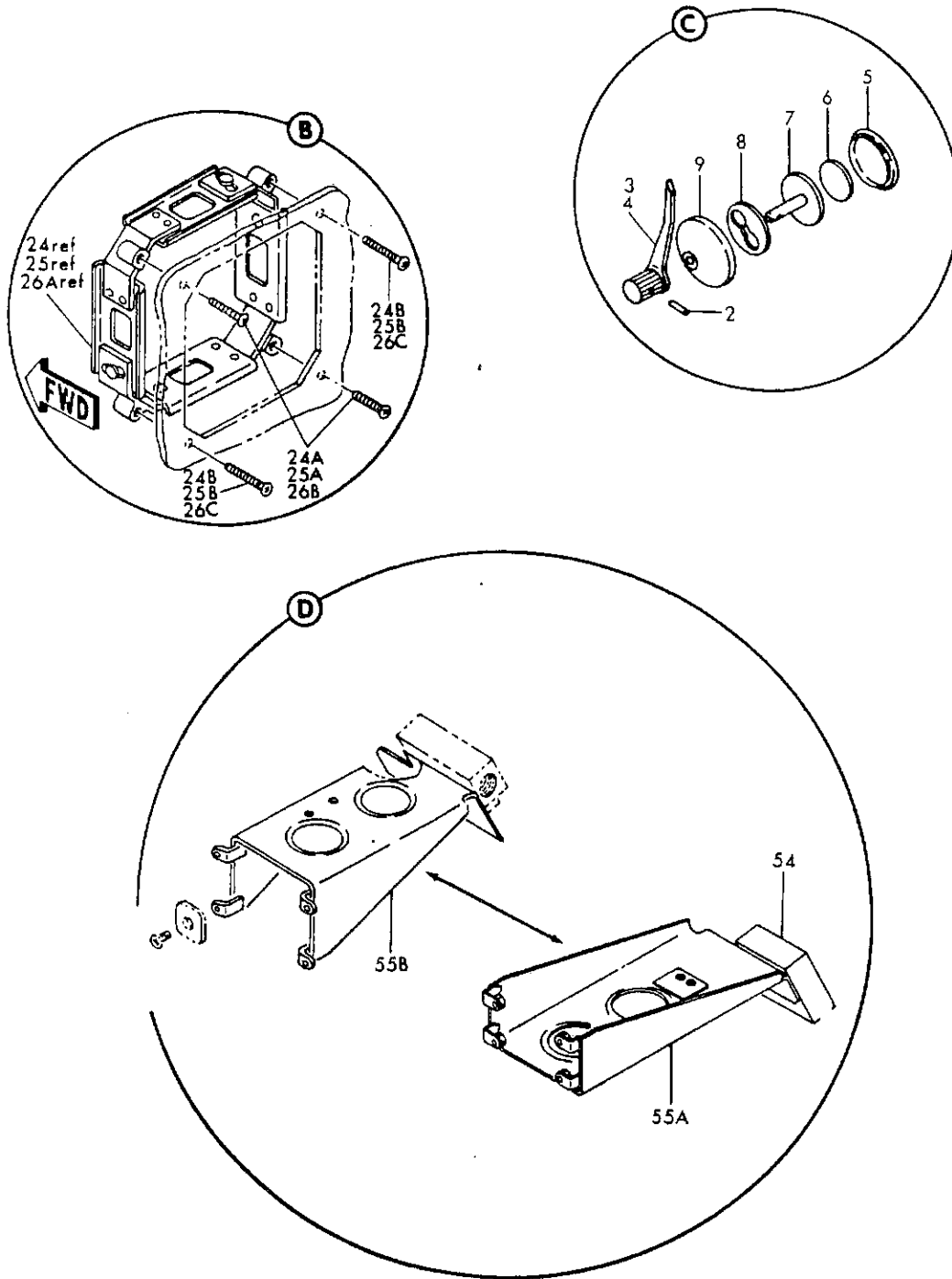


FIGURE 20E. PANEL INSTL, P8 PILOTS MAIN INSTRUMENT (NAVIGATION ONLY)
 PANEL INSTL, P10 COPILOTS MAIN INSTRUMENT (NAVIGATION ONLY) (SHEET 2)

BOEING

707

PARTS CATALOG (MAINTENANCE)

FIGURE & ITEM NO.	MANUFACTURER'S PART NUMBER	NOMENCLATURE	EFF	UNITS
			FROM TO	PER ASSY
R R	20E 65-51822-1	PANEL INSTL, P8 PILOTS MAIN INSTRUMENT (NAVIGATION. . . ONLY) (DELETED BY MOD 7211.019-225) (SEE 25-1, FIG. 1K, ITEM 4)	0150	RF
	391-31-10-74164-001	PANEL INSTL, P8 PILOTS MAIN INSTRUMENT (NAVIGATION. . . ONLY) (VS2500) (65-51822-1 MODIFIED BY MOD 7211.019-225) (SEE 25-1, FIG. 1K, ITEM 4)	0101	RF
	391-31-10-74164-003	PANEL INSTL, P8 PILOTS MAIN INSTRUMENT (NAVIGATION. . . ONLY) (VS2500) (65-51822-1 MODIFIED BY MOD 7211.019-225) (SEE 25-1, FIG. 1K, ITEM 4)	0203	RF
	391-31-10-74164-005	PANEL INSTL, P8 PILOTS MAIN INSTRUMENT (NAVIGATION. . . ONLY) (VS2500) (65-51822-1 MODIFIED BY MOD 7211.019-225) (SEE 25-1, FIG. 1K, ITEM 4)	0450	RF
	65-51822-2	PANEL INSTL, P10 COPILOTS MAIN INSTRUMENT (NAVIGATION. . . ONLY) (DELETED BY MOD 7211.019-225) (SEE 25-1, FIG. 1K, ITEM 4)	0150	RF
	391-31-10-74166-001	PANEL INSTL, P10 COPILOTS MAIN INSTRUMENT (NAVIGATION. . . ONLY) (VS2500) (65-51822-2 MODIFIED BY MOD 7211.019-225) (SEE 25-1, FIG. 1K, ITEM 4)	0103	RF
	391-31-10-74166-003	PANEL INSTL, P10 COPILOTS MAIN INSTRUMENT (NAVIGATION. . . ONLY) (VS2500) (65-51822-2 MODIFIED BY MOD 7211.019-225) (SEE 25-1, FIG. 1K, ITEM 4)	0450	RF
	10 C31835-10-002	. INDICATOR, AIRSPEED (V89944) (COPILOT) (DELETED BY. . . SB 2663)	0103	1
	10 10-60768-23	. INDICATOR, MACH/AIRSPEED (COPILOT).	0450	1
	10 10-60768-23	. INDICATOR, MACH/AIRSPEED (COPILOT) (ADDED BY SB 2663 AND DELETED BY RAF MOD 7211.019-238)	0103	1
	10 10-60768-23	. INDICATOR, MACH/AIRSPEED (COPILOT) (DELETED BY. . . RAF MOD 7211.019-238)	0450	1
	10 10-61818-18	. INDICATOR, AIRSPEED (V89944) (COPILOT) (ADDED BY. . . RAF MOD 7211.019-238)	0150	1
	11 10-61201-2	. INDICATOR, AIRSPEED (PILOT) (DELETED BY SB 2663). . .	0103	1
	11 10-60768-24	. INDICATOR, MACH/AIRSPEED (PILOT) (ADDED BY SB 2663. . . AND DELETED BY RAF MOD 7211.019-238)	0103	1
	11 10-60768-24	. INDICATOR, MACH/AIRSPEED (PILOT) (DELETED BY. . . RAF MOD 7211.019-238)	0450	1
	11 10-61818-18	. INDICATOR, MACH/AIRSPEED (PILOT) (ADDED BY. . . RAF MOD 7211.019-238)	0150	1
	12 522-3122-006	. INDICATOR, FLIGHT DIRECTOR (V13499)	0150	1
	13 10-60768-8	. ALTIMETER, SERVO PNEUMATIC.	0150	1
	14 SLZ9068	. INDICATOR, RATE OF CLIMB (V10639)	0150	1
		ATTACHING PARTS		
		. SCREW	0150	3
	16 522-3138-004	. INDICATOR, COURSE DIRECTOR (V13499)	0150	1
17 10-3284-4	. INDICATOR, RADIO MAGNETIC	0150	1	
18 43605	. ALTIMETER, RADIO LOW RANGE (V92755) (CUSTOMER . . . FURNISHED) (DELETED BY RAF MOD 7211.019-200)	0150	1	
18 522-4114-003	. ALTIMETER, RADIO LOW RANGE (VZ0268) (CUSTOMER . . . FURNISHED) (ADDED BY RAF MOD 7211.019-200)	0150	1	
19 3919-1AJC1-2	. INDICATOR, TURN AND SLIP (V99251)	0150	1	
20 10-3056-8	. INDICATOR, THREE AXIS TRIM (PILOT).	0150	1	
21 640-24-10L	. CLOCK, STOP (V98429) (COPILOT).	0150	1	
22 522-1859-033	. INDICATOR, DME (TYPE 339D1) (V13499) (CUSTOMER. . . FURNISHED)	0150	2	
22 522-1859-071	. INDICATOR, DME (TYPE 339D1) (V13499) (CUSTOMER. . . FURNISHED)	0150	2	
	(OPTIONAL TO 522-1859-071)			
	(OPTIONAL TO 522-1859-033)			
	ATTACHING PARTS			
	. SCREW	0150	4	
	. NUT	0150	4	
22A 10-60768-19	. INDICATOR, STATIC AIR TEMPERATURE (COPILOT)	0150	1	
22B 10-60768-21	. INDICATOR, TRUE AIR SPEED (COPILOT)	0150	1	
22C VINX	. INDICATOR, DME (VZ0268) (ADDED BY RAF MOD . . . 7211.019-188 AND ADDED BY RAF MOD 7211.019-159)	0150	2	
23 9964	. CLAMP, (V91893)	0150	2	
24 9963	. CLAMP ASSY, (V91893).	0150	1	
M 24A AN515B6R12	. SCREW	0150	2	
M 24B AN515B8R16	. SCREW	0150	2	
25 9963	. CLAMP ASSY, (V91893) (PILOT).	0103	1	
M 25A AN515B6R12	. SCREW	0103	2	

MISSING ITEM NUMBERS ARE NOT APPLICABLE

BOEING

707

PARTS CATALOG (MAINTENANCE)

FIGURE & ITEM NO.	MANUFACTURER'S PART NUMBER	NOMENCLATURE							EFF FROM TO	UNITS PER ASSY
		1	2	3	4	5	6	7		
20EM 25B	AN51588R16	. . SCREW							0103	2
25C	MBG61897	. CLAMP, (V98625)							0450	1
26A	9963	. CLAMP ASSY, (V91893)							0150	1
M 26B	AN51586R12	. . SCREW							0150	2
M 26C	AN51588R16	. . SCREW							0150	2
28	539-1012-002	. CAP, CLEAR INDICATOR LIGHT (V81590)							0150	1
29	539-1012-003	. CAP, AMBER INDICATOR LIGHT (V81590)							0150	1
30	539-1012-004	. CAP, BLUE INDICATOR LIGHT (V81590)							0150	1
31	526-1006-003	. CAP, INDICATOR LIGHT (V81590) (COPILOT)							0150	1
31A	526-1006-001	. CAP, MDA INDICATOR LIGHT (V81590)							0150	1
32	MS15571-2	. BULB, INCANDESCENT							0150	3
33	1864	. LAMP, (V08806) (COPILOT)							0150	2
33A	1864	. LAMP, (V08806)							0150	2
35	BACM9N10-1CB	. SCOTCH-CAL, 10-3056-8 (PILOT)							0150	1
37	MS35059-23	. SWITCH, (COPILOT)							0150	1
38	MS35059-23	. SWITCH, (PILOT)							0150	2
	65-51822-71	. UNIT ASSY, (PILOT) (NAVIGATION ONLY)							0150	RF
	65-51822-74	. UNIT ASSY, (COPILOT) (NAVIGATION ONLY)							0150	RF
39	BAC27CEQ17	. . SCOTCH-CAL, GLIDE SLOPE (PILOT)							0150	1
40	BAC27CEQ67	. . SCOTCH-CAL, DME 1							0150	1
41	BAC27CEQ68	. . SCOTCH-CAL, DME 2							0150	1
43A	SA2003-158LIW	. . INDICATOR, GLIDE SLOPE (V03034) (PILOT)							0150	1
		ATTACHING PARTS								
	NAS514P632-4	. . SCREW							0150	2
		-----*								
43B	BACC10EL3	. . CLAMP, (COPILOT)							0150	2
44	074-1012-002	. . BASE ASSY, INDICATOR LIGHT							0150	1
45	033-1006-003	. . BASE ASSY, INDICATOR LIGHT (COPILOT)							0150	1
45A	033-1006-001	. . BASE ASSY, INDICATOR LIGHT (81590)							0150	1
46	D20011	. . SWITCH, (V81640) (COPILOT)							0150	1
49	15AT17	. . SWITCH, (V91929) (PILOT)							0150	2
		ATTACHING PARTS								
	NAS514P632-7	. . SCREW							0150	7
		-----*								
50	G1441	. . ANNUNCIATOR, NAVIGATION WARNING SYSTEM (V99837)							0150	1
		(CUSTOMER FURNISHED) (PILOT)								
		ATTACHING PARTS								
	NAS514P632-7	. . SCREW							0150	2
		-----*								
54	69-4769-1	. . MANIFOLD, PITOT STATIC							0150	1
		ATTACHING PARTS								
	NAS603-26P	. . SCREW							0150	2
	NAS679A3W	. . NUT							0150	2
		-----*								
55	69-3994-18	. . BRACKET ASSY, STATIC MANIFOLD (COPILOT)							0150	1
55A	69-45680-1	. . BRACKET ASSY, STATIC MANIFOLD SUPPORT (PILOT)							0150	1
		ATTACHING PARTS								
	NAS514P1032-10	. . SCREW							0150	4
		-----*								
	391-34-20-73979-015	. PANEL ASSY, ANNUNCIATOR (VS2500) (ADDED BY MOD.							0150	1
		7211,019-225)								
	391-11-00-73978-117	. . DECAL, ANNUNCIATOR PANEL ASSEMBLY							0150	1
	391-11-00-73978-103	. . DECAL, ANNUNCIATOR PANEL							0150	1
		. FOR REFERENCE TO OTHER PANEL DETAILS, SEE NHA							0150	

R
R
R
R

MISSING ITEM NUMBERS ARE NOT APPLICABLE

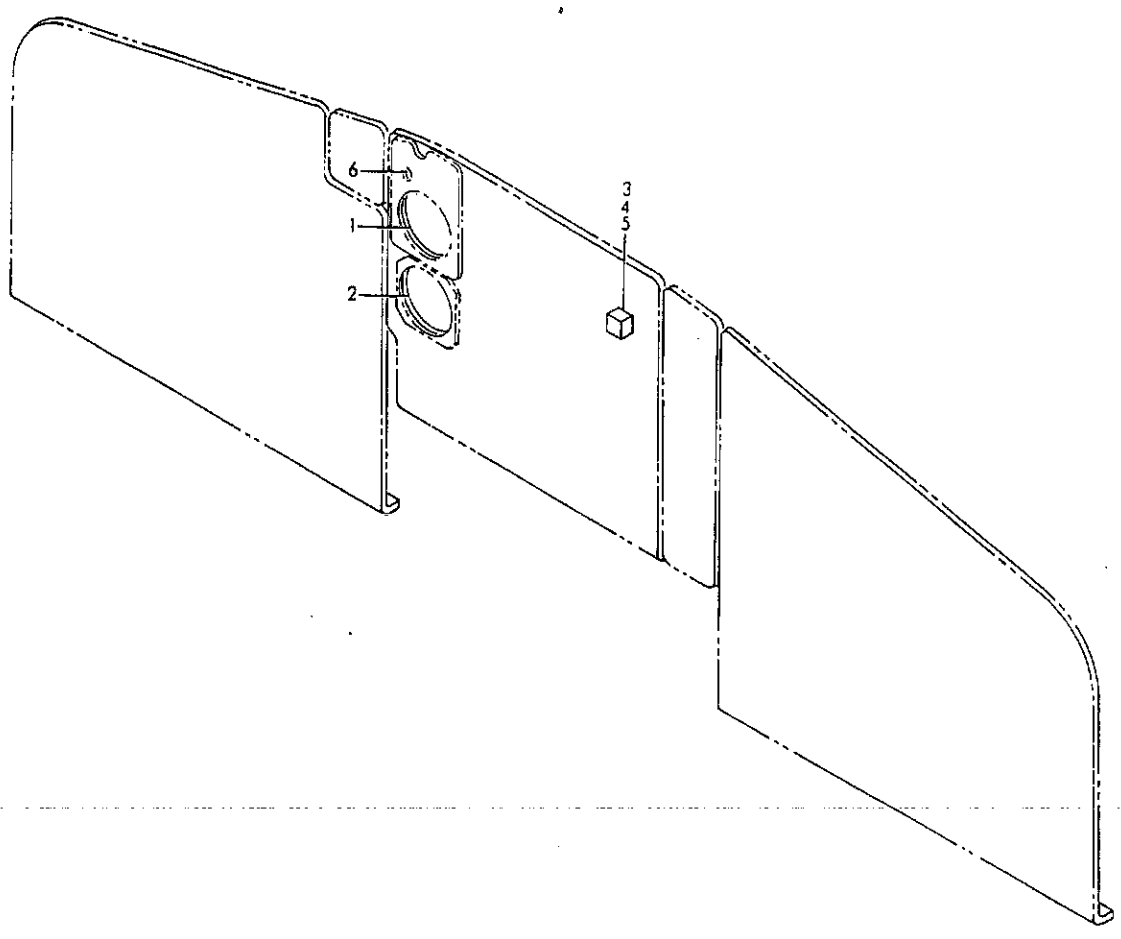
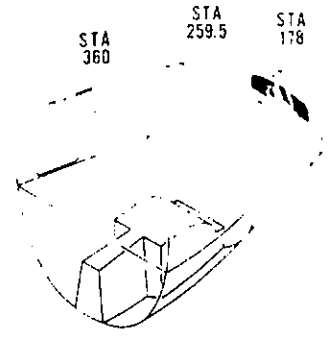


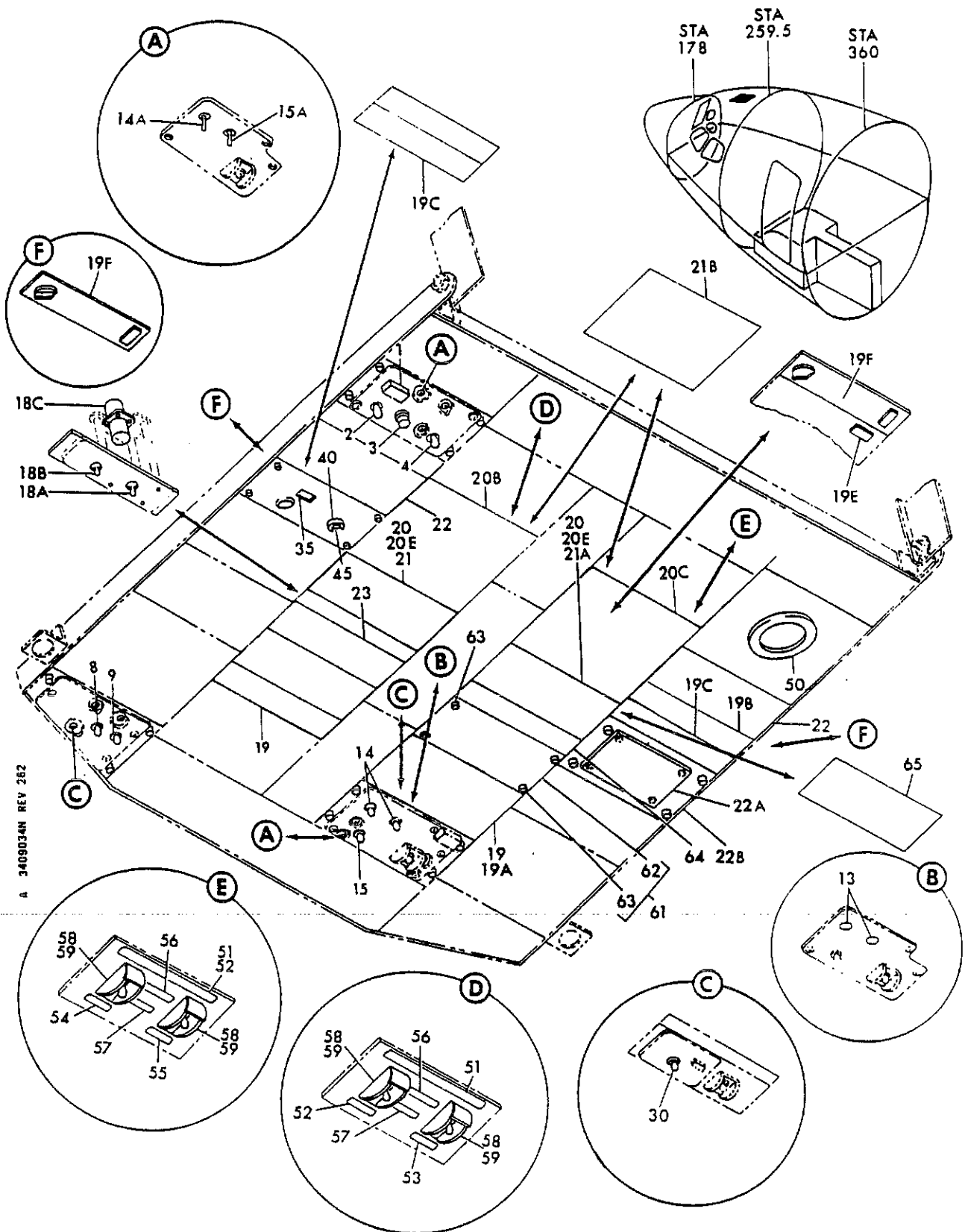
FIGURE 21T. PANEL INSTL. P9ENGINE INSTRUMENT (NAVIGATION ONLY)



PARTS CATALOG

FIGURE & ITEM NO.	MANUFACTURER'S PART NUMBER	NOMENCLATURE							EFF FROM TO	UNITS PER ASSY	
		1	2	3	4	5	6	7			
R	21T	65-51823-1	PANEL INSTL, P9 ENGINE INSTRUMENT (NAVIGATION ONLY) . . .							0150	RF
R			(SEE 25-L, FIG. 1K, ITEM 4)								
R	1	640-24-10L	. CLOCK, STOP (V98429)							0150	1
R		AN5078632R14	. ATTACHING PARTS								
R			. SCREW							0150	4
R	2	705-7V4	. INDICATOR, GYRO HORIZON (VF6306)							0150	1
R		AN51586R14	. ATTACHING PARTS								
R			. SCREW							0150	3
R	3	515-1014-002	. CAP, NAVIGATION WARNING INDICATOR LIGHT (V81590) . . .							0150	1
R	4	1864	. BULB, (V08806)							0150	1
R		65-51823-20	. UNIT ASSY, (NAVIGATION ONLY)							0150	1
R	5	035-1014-002	. . . BASE ASSY, (V81590)							0150	1
R	6	SCN001	. . . CONNECTOR, POWER (V26742)							0150	1
R			. FOR REFERENCE TO OTHER PANEL DETAILS, SEE NHA							0150	

MISSING ITEM NUMBERS ARE NOT APPLICABLE



A 3409034N REV 262

FIGURE 34N. MODULE INSTL, P13 PILOTS OVERHEAD (NAVIGATION ONLY)

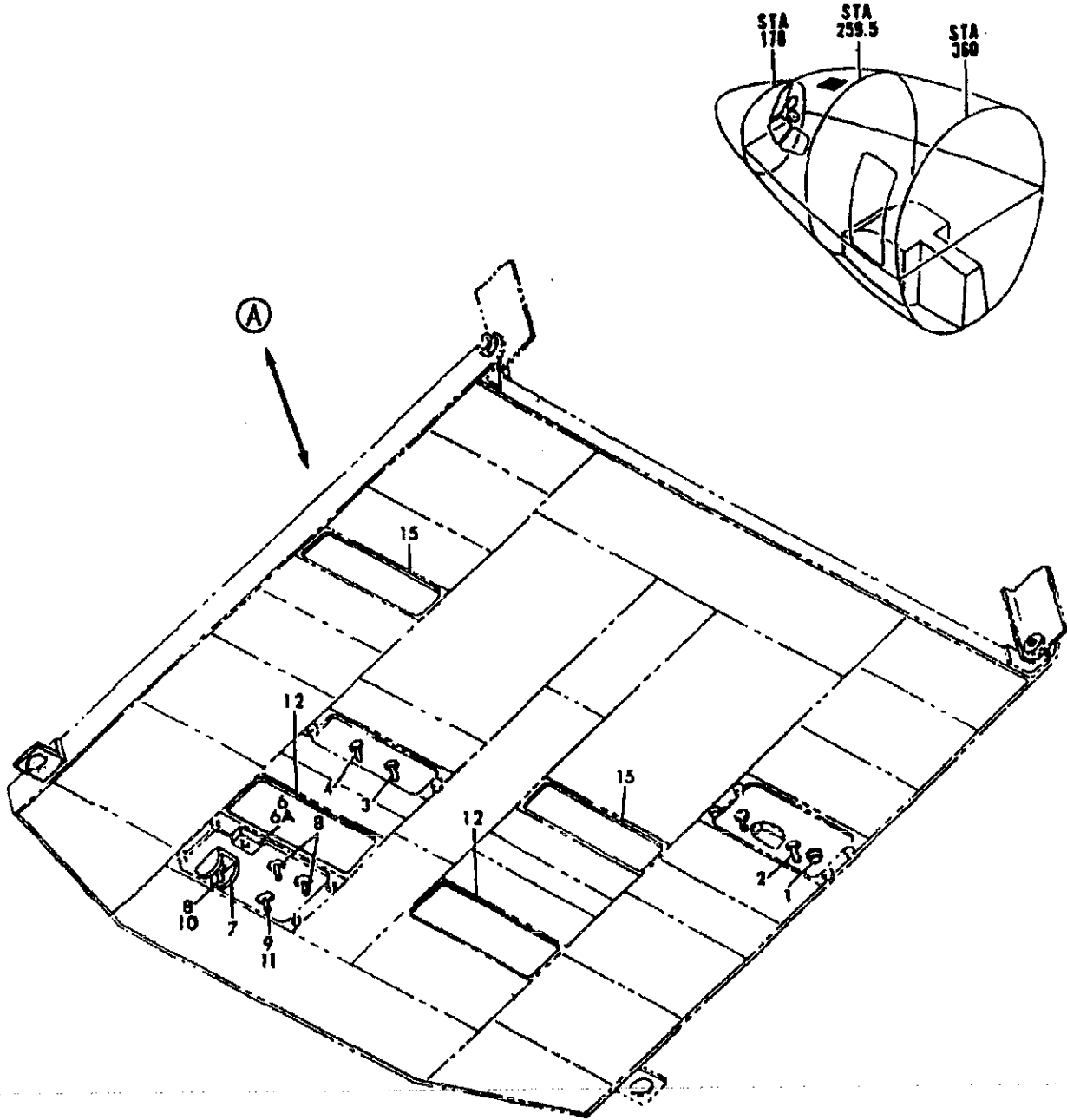


PARTS CATALOG

FIGURE & ITEM NO.	MANUFACTURER'S PART NUMBER	1 2 3 4 5 6 7	NOMENCLATURE	EFF	UNITS
				FROM TO	PER ASSY
R R R R R R R R R R R R R R R R	34N	65-86177-2	MODULE INSTL, P13 PILOTS OVERHEAD (NAVIGATION ONLY) . . . (VARIABLE DWG; 65-86177-5011) (SEE 25-1, FIG. 2E, ITEM 92 AND 25-1, FIG. 180H, ITEM 108)	5199	RF
		69-46121-21	. . . MODULE ASSY, P13R MACH TEST (NAVIGATION ONLY)	5199	RF
	1	318-630-1003-006	. . . LIGHT ASSY, (OFF) (V81590)	5199	1
	2	MS24523-23	. . . SWITCH, TOGGLE.	5199	1
	3	D20011-01	. . . SWITCH, PUSHBUTTON (V81640)	5199	1
	4	MS24658-26F	. . . SWITCH, TOGGLE.	5199	1
		69-46113-4	. . . MODULE ASSY, P13G RAIN REPELLENT AND STICK SHAKER . . . (NAVIGATION ONLY)	5199	RF
	8	MS24523-26	. . . SWITCH.	5199	1
	9	MS24523-27	. . . SWITCH.	5199	1
	19	1775132-231	. . . CONTROLLER, HIGH LATITUDE COMPASS (V58960)	5199	1
	19A	1775132-231	. . . CONTROLLER, HIGH LATITUDE COMPASS (V58960) (DELETED BY SB 3158)	5199	1
	19A	BACP10U0112G	. . . PANEL, (ADDED BY SB 3158)	5199	1
	20	663570-03	. . . SELECTOR, INS MODE (V30782) (CUSTOMER FURNISHED) . . . (DELETED BY RAF MOD 7211.019-215)	5199	2
	20E	452100-02-03	. . . SELECTOR, INS MODE (V30782) (CUSTOMER FURNISHED) . . . (ADDED BY RAF MOD 7211.019-215)	5199	2
		69-46120-16	. . . MODULE ASSY, P13K RAD/ALT AND YAW DAMPER (NAVIGATION ONLY) (ADDED BY SB 3158)	5199	RF
	30	MS24523-27	. . . SWITCH, TOGGLE. FOR REFERENCE TO OTHER MODULE DETAILS, SEE NHA.	5199	1

MISSING ITEM NUMBERS ARE NOT APPLICABLE

BOEING
 707
 PARTS CATALOG (MAINTENANCE)



VIEW LOOKING UP

FIGURE 34P. MODULE INSTL, P13 PILOTS OVERHEAD (NAVIGATION ONLY) (SHEET 1)

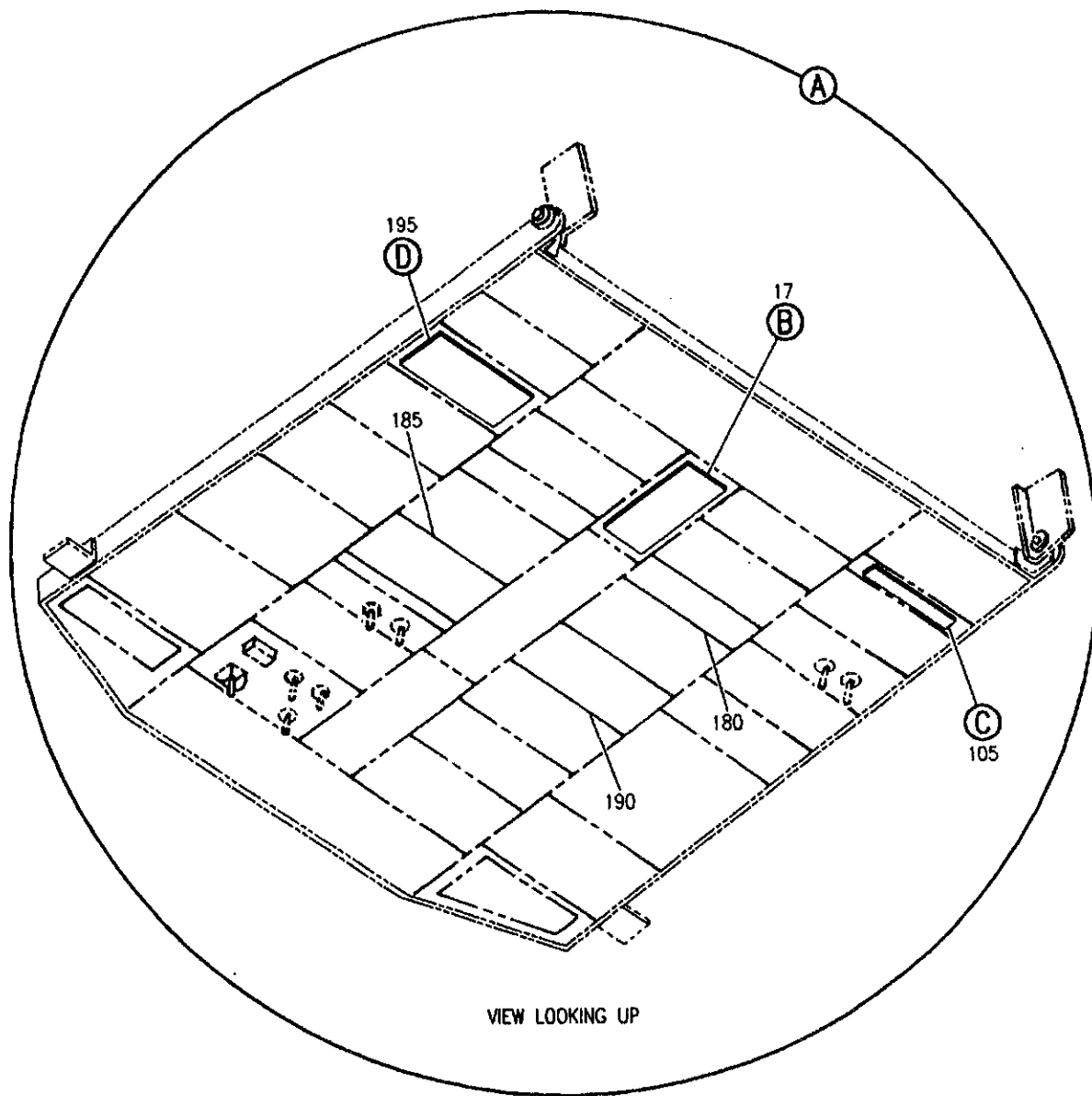
A 3408034P SH1 1 REV 27Z

DETAILED PARTS LIST
 34-09-34P
 PAGE 0

34-09-34P

NOV 21/01

BOEING
707
PARTS CATALOG (MAINTENANCE)



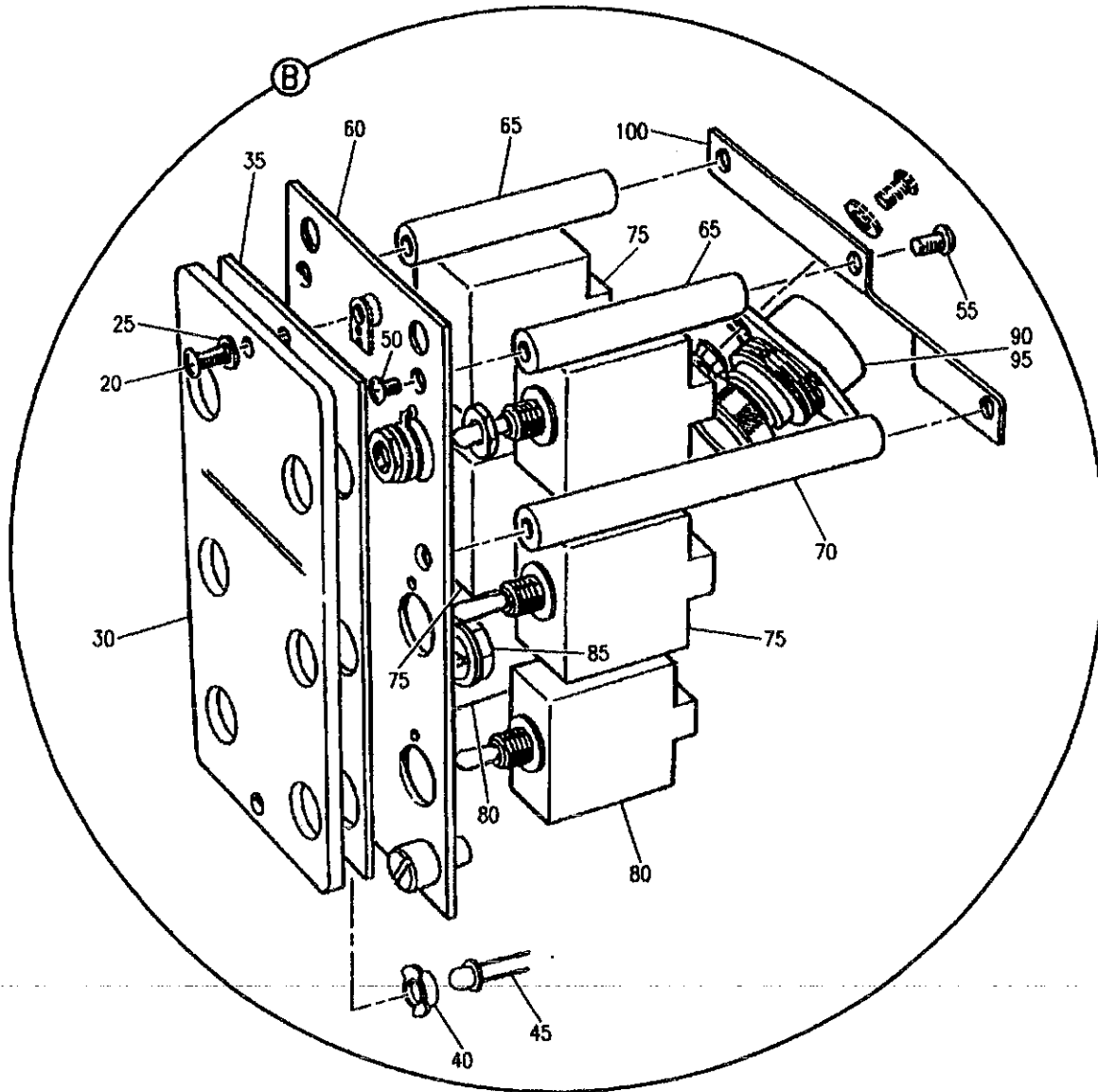
A 3409034P SHIT 2 REV 272

FIGURE 34P. MODULE INSTL, P13 PILOTS OVERHEAD (NAVIGATION ONLY) (SHEET 2)

NOV 21/01

34-09-34P

DETAILED PARTS LIST
34-09-34P
PAGE 1



A 3409034P SHT 3 REV 27Z

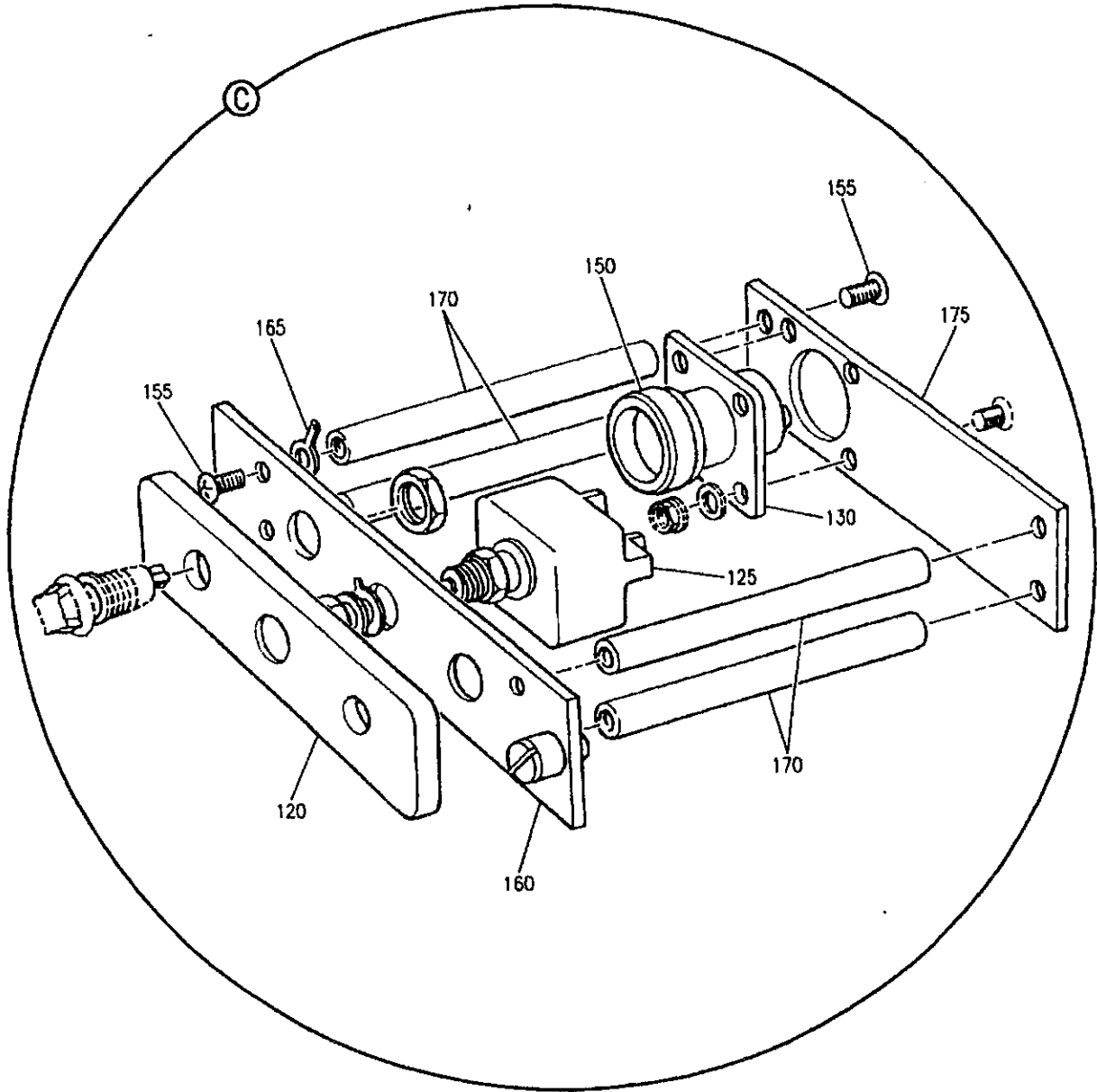
FIGURE 34P. MODULE INSTL, P13 PILOTS OVERHEAD (NAVIGATION ONLY) (SHEET 3)

DETAILED PARTS LIST
34-09-34P
PAGE 2

34-09-34P

NOV 21/01

BOEING
707
PARTS CATALOG (MAINTENANCE)



A 3409034P SHT 4 REV 27Z

FIGURE 34P. MODULE INSTL, P13 PILOTS OVERHEAD (NAVIGATION ONLY) (SHEET 4)

NOV 21/01

34-09-34P

DETAILED PARTS LIST
34-09-34P
PAGE 3

BOEING
707
PARTS CATALOG (MAINTENANCE)

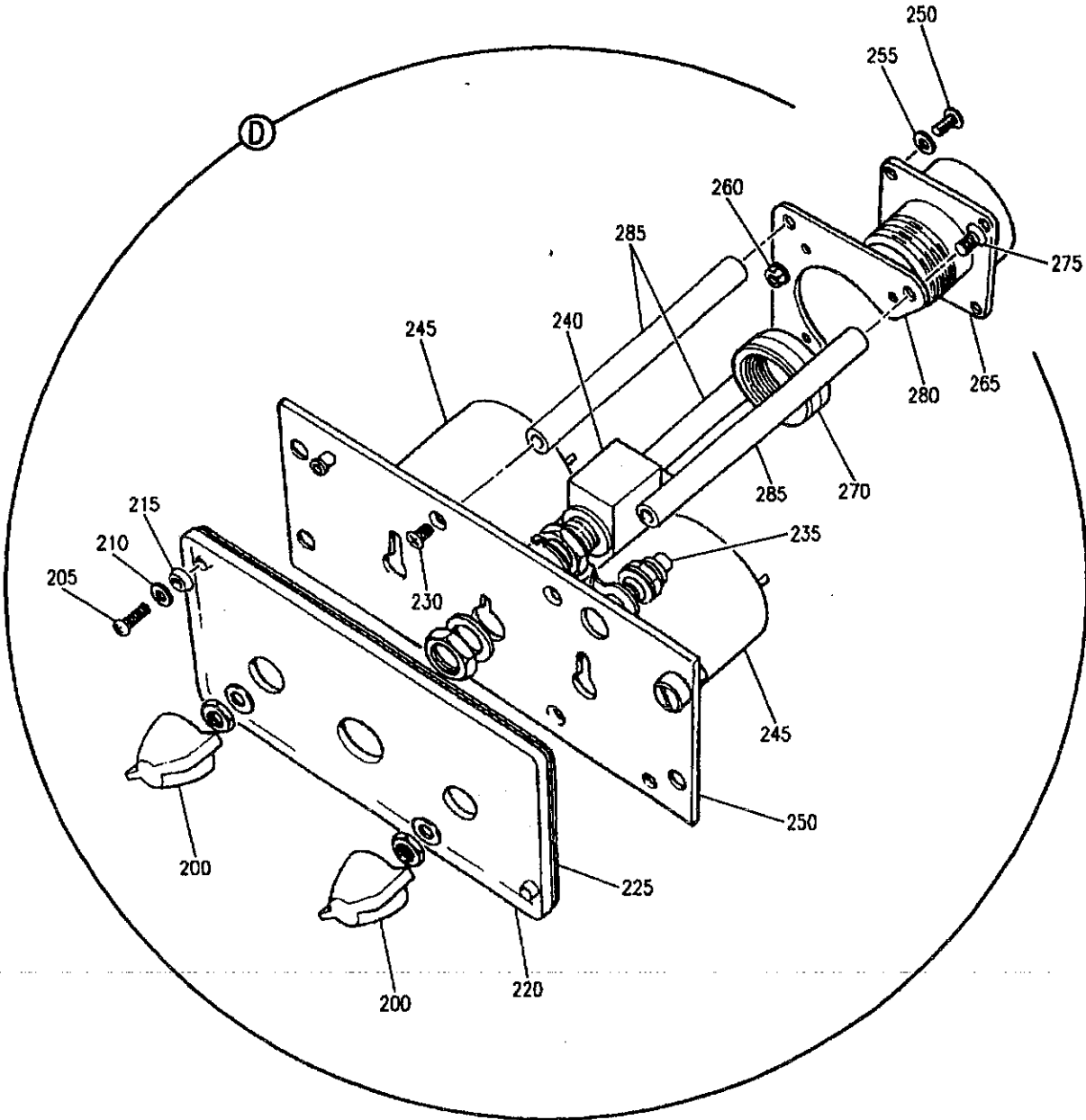


FIGURE 34P. MODULE INSTL. P13 PILOTS OVERHEAD (NAVIGATION ONLY) (SHEET 5)

DETAILED PARTS LIST
34-09-34P
PAGE 4

34-09-34P

NOV 21/01

A 3409034P SRT 5 REV 272

BOEING

707

PARTS CATALOG (MAINTENANCE)

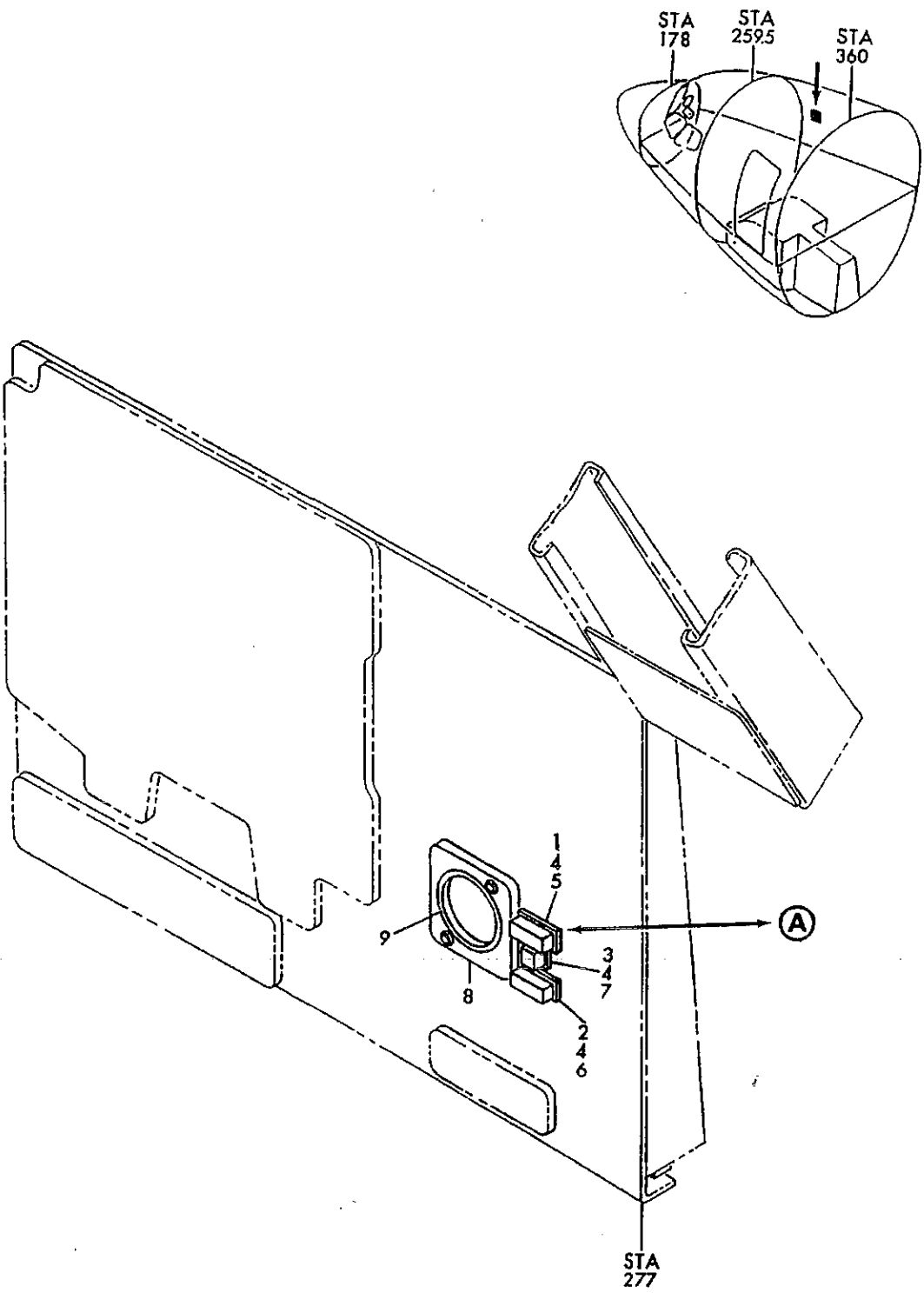
FIGURE & ITEM NO.	MANUFACTURER'S PART NUMBER	NOMENCLATURE	EFF FROM TO	UNITS PER ASSY
R	34P	65-58786-1	0150	RF
R		MODULE INSTL, P13 PILOTS OVERHEAD (NAVIGATION ONLY) (DELETED BY RAF MOD 7211.019-4) (SEE 25-1, FIG. 1K)		
R		391-31-10-74168-001	0103	RF
R		MODULE INSTL, P13 PILOTS OVERHEAD (NAVIGATION ONLY) (VZ0031) (65-58786-1 MODIFIED BY RAF MOD 7211.019-225) (ADDED BY RAF MOD 7211.019-4) (SEE 25-1, FIG. 1K)		
R		391-31-10-74168-003	0450	RF
R		MODULE INSTL, P13 PILOTS OVERHEAD (NAVIGATION ONLY) (VZ0031) (65-58786-1 MODIFIED BY RAF MOD 7211.019-225) (ADDED BY RAF MOD 7211.019-4) (SEE 25-1, FIG. 1K)		
R		69-46123-4	0150	RF
	1	D20011-01	0150	1
	2	MS24523-23	0150	1
		69-52334-1	0150	RF
	3	MS24523-26	0150	1
	4	MS24523-27	0150	1
		69-46120-5	0150	RF
	6	319-629-1004-009	0150	1
	6A	319-25	0150	1
	7	NAS1072-1	0150	1
	8	MS24523-23	0150	3
	9	MS24523-27	0150	1
	12	15747-3A	0150	2
R	15	391-34-50-74452-001	0150	RF
R		PANEL ASSY, ANTENNA CONTROL (VZ0031) (ADDED BY RAF MOD 7211.019-4)		
	15	452100-02-03	0150	2
		SELECTOR, INS MOD (V30782) (ADDED BY RAF MOD 7211.019-227)		
R	20	MS35206-230	0150	2
R	25	AN960JD6L	0150	2
R	30	391-34-50-74452-101	0150	1
R	35	391-34-50-74452-005	0150	1
R	40	MS90335-8	0150	1
R	45	MS90451-7152	0150	1
R	50	MS24693-526	0150	3
R	55	MS35206-215	0150	3
R	60	391-34-50-74452-003	0150	1
R	65	B472A0632HL1B	0150	2
R	70	B479A0632HL1B	0150	1
R	75	MS27407-1	0150	4
R	80	MS24523-23	0150	2
R	85	MS90335-1	0150	1
R	90	MS3470L16-26P	0150	1
R	95	M85049-31-16N	0150	1
R	100	391-34-50-74452-103	0150	1
R	105	391-34-30-15509-001	0150	1
R		A5890	0150	1
R	120	391-34-30-15509-101	0150	1
R	125	MS27404	0150	1
R	130	MS3470L12-10P	0150	1
		ATTACHING PARTS		
R		MS35206-215	0150	4
R		MS15795-803	0150	4
R		MS21042L04	0150	4
		NUT, GROMMET	0150	1
R	150	M85049-31-12N	0150	1
R	155	MS35206-226	0150	8
R	160	391-34-30-15509-003	0150	1
R	165	M7928-4-101	0150	1
R	170	B178A0632HL	0150	4
R	175	391-34-30-15509-103	0150	1
R	180	452100-02-03	0150	1
		SELECTOR, INS MODE (VS2500) (ADDED BY RAF MOD 7211.019-4)		
R	185	622-2510-001	0150	1
		CONTROLLER, TACAN NO. 1 (V13499) (ADDED BY RAF MOD 7211.019-4)		
R	190	622-5147-001	0150	1
		CONTROLLER, TACAN NO. 2 (V13499) (ADDED BY RAF MOD 7211.019-4)		
R	195	391-33-10-17018-001	0150	1
		PANEL ASSY, DIMMER PILOTS INSTRUMENTS AND ANNUNCIATORS (VZ0031) (ADDED BY RAF MOD 7211.019-4)		
R	200	66-9039	0150	2
R	205	MS35206-228	0150	2
R	210	AN960K06	0150	2
R	215	BACW10AJ1	0150	2
		KNOB	0150	2
		SCREW	0150	2
		WASHER	0150	2
		WASHER	0150	2

MISSING ITEM NUMBERS ARE NOT APPLICABLE

BOEING

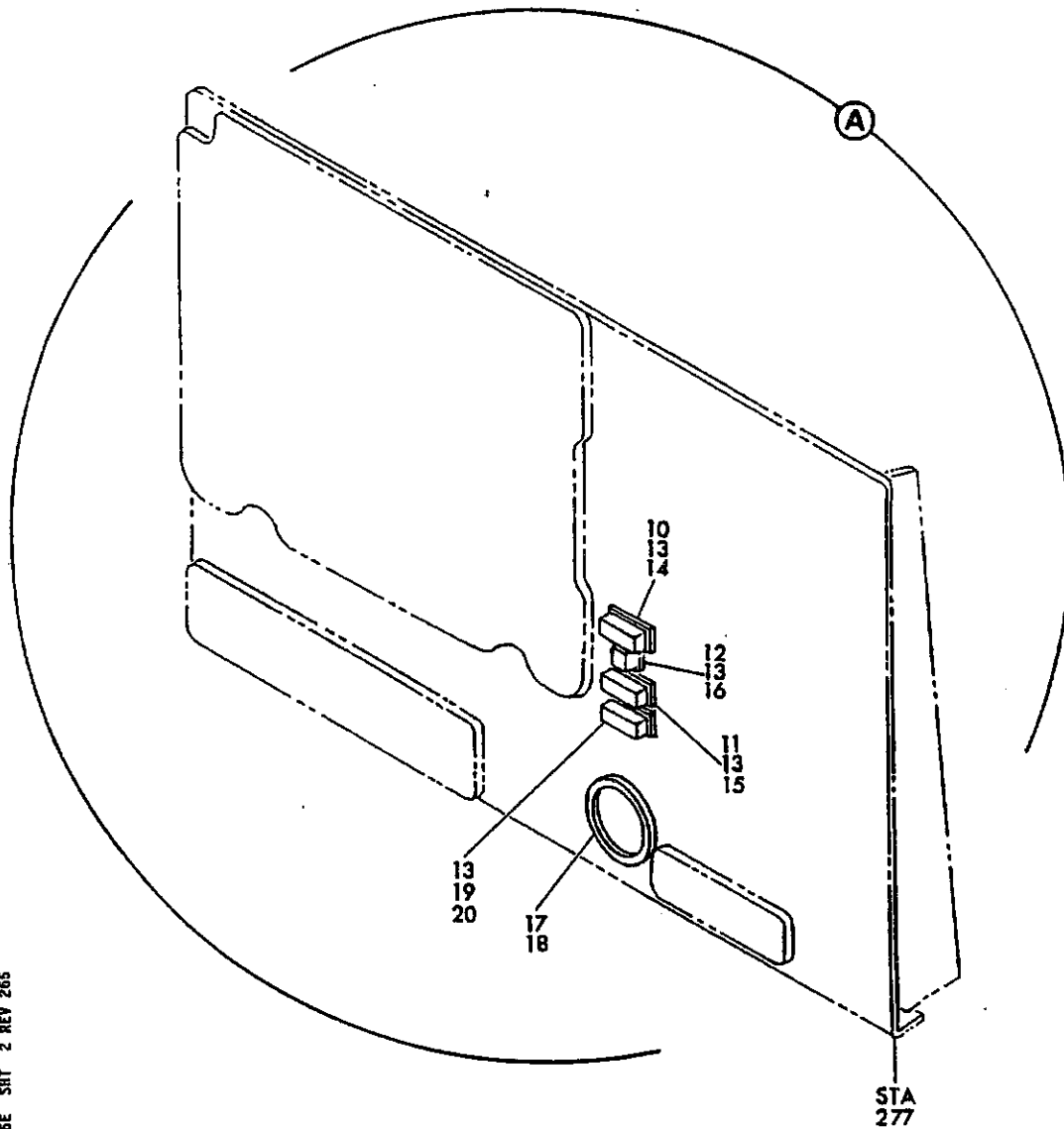
707
PARTS CATALOG (MAINTENANCE)

FIGURE & ITEM NO.	MANUFACTURER'S PART NUMBER	NOMENCLATURE							EFF FROM TO	UNITS PER ASSY
		1	2	3	4	5	6	7		
R 34P 220	391-33-10-17019-103	0150	1
R 225	391-33-10-17019-001	0150	1
R 230	MS24693S62	0150	3
R 235	MS90335-1	0150	1
R 240	MS24523-22	0150	1
R 245	16425	0150	2
R 250	MS35206-215	0150	3
R 255	MS15795-803	0150	3
R 260	MS21042L04	0150	3
R 265	MB3723-72A2219	0150	1
R 270	MB5049-31-22N	0150	1
R 275	MS35206-228	0150	3
R 280	391-33-10-17018-101	0150	1
R 285	8182A0632HL	0150	3
		0150	
		FOR REFERENCE TO OTHER MODULE DETAILS, SEE NHA.							0150	
MISSING ITEM NUMBERS ARE NOT APPLICABLE										



A 3409036E SHT 1 REV 265

FIGURE 36E. PANEL INSTL. FLIGHT ENGINEERS LOWER (NAVIGATION ONLY) (SHEET 1)



A 340936E SHT 2 REV 265

FIGURE 36E. PANEL INSTL, FLIGHT ENGINEERS LOWER (NAVIGATION ONLY) (SHEET 2)

NOV 21/94

34-09-36E

DETAILED PARTS LIST
 34-09-36E
 PAGE 1

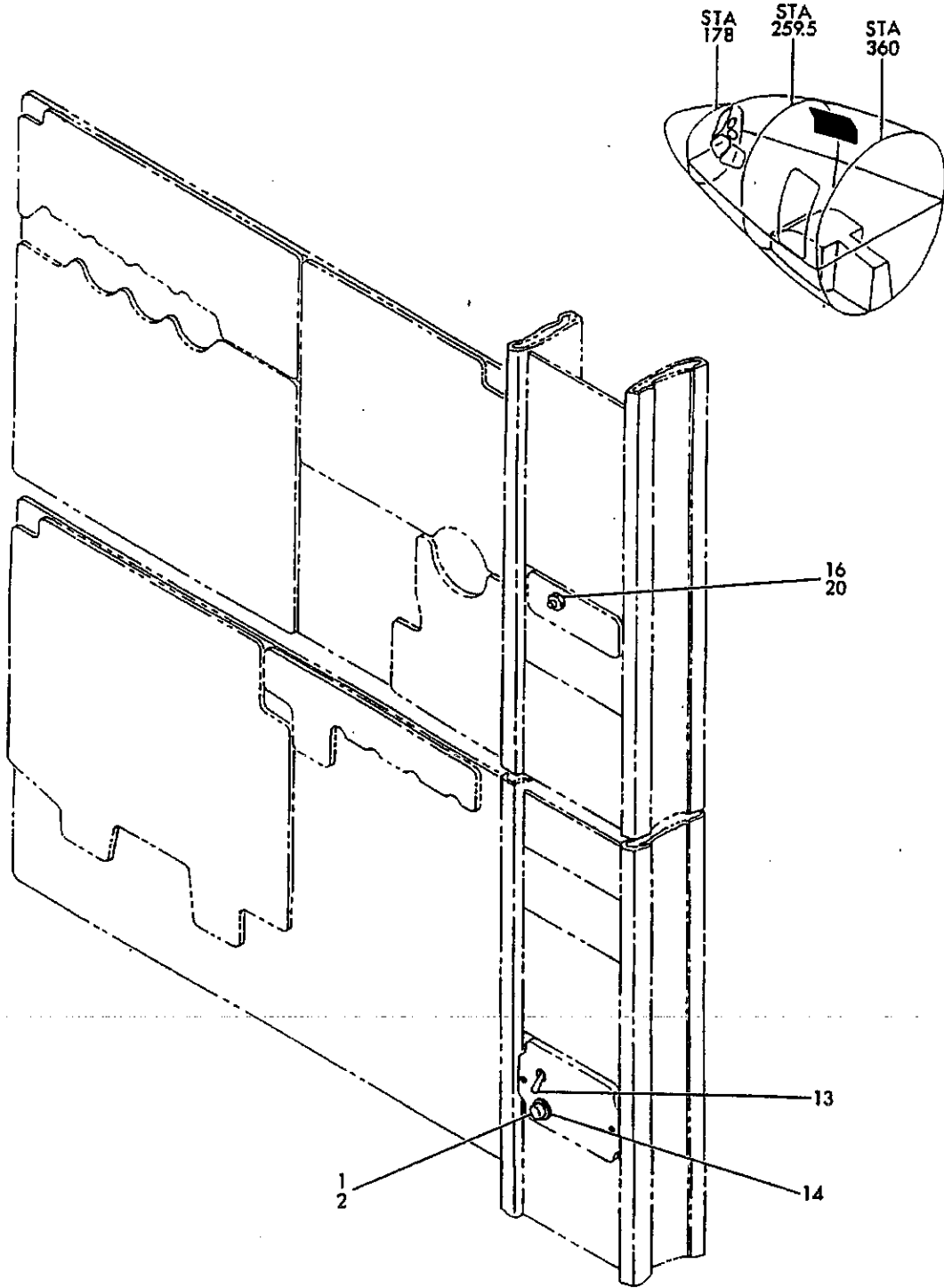


PARTS CATALOG

FIGURE & ITEM NO.	MANUFACTURER'S PART NUMBER	NOMENCLATURE							EFF FROM TO	UNITS PER ASSY	
		1	2	3	4	5	6	7			
R R	36E	65-58398-1	PANEL INSTL, FLIGHT ENGINEERS LOWER (NAVIGATION ONLY) (DELETED BY RAF 7211.019-225) (SEE 25-1, FIG. 1K, ITEM 5)							0150	RF
		361-39-11-74192-001	PANEL INSTL, FLIGHT ENGINEERS LOWER (NAVIGATION ONLY) (VS2500) (ADDED BY RAF 7211.019-225) (SEE 25-1, FIG. 1K, ITEM 5)							0150	RF
	8	1618101	. . INDICATOR, TOTAL AIR TEMPERATURE (V35918) (DELETED BY RAF MOD 7211.019-170)							0450	1
	8	1618010	. . INDICATOR, TOTAL AIR TEMPERATURE (V35918) (ADDED BY RAF MOD 7211.019-170) (DELETED BY RAF 7211.019-225)							0450	1
	8	1618101	. . INDICATOR, TOTAL AIR TEMPERATURE (V35918) (DELETED BY RAF 7211.019-225)							0103	1
		MS24693BB30	ATTACHING PARTS . . SCREW							0150	4
	9	117-85	. . BEZEL, TOTAL AIR TEMPERATURE (V35918) (DELETED BY RAF 7211.019-225)							0150	1
	10	2H06-42	. CAP, DUAL WARNING LIGHT (V81590) (RELOCATED BY RAF 7211.019-225)							0150	1
	11	2H06-43	. CAP, DUAL WARNING LIGHT (V81590) (RELOCATED BY RAF 7211.019-225)							0150	1
	12	515-1014-003	. CAP, WARNING LIGHT (V81590) (RELOCATED BY RAF 7211.019-225)							0150	1
	13	1864	. LAMP, INCANDESCENT (V08806) (RELOCATED BY RAF 7211.019-225)							0150	5
		65-58398-13	. UNIT ASSY, (NAVIGATION ONLY) (RELOCATED BY RAF 7211.019-225)							0150	RF
	14	STB260DN	. . BASE, WARNING LIGHT (V81590) (RELOCATED BY RAF 7211.019-225)							0150	1
	15	STB260DP	. . BASE, WARNING LIGHT (V81590) (RELOCATED BY RAF 7211.019-225)							0150	1
	16	035-1014-003	. . BASE, WARNING LIGHT (V81590) (RELOCATED BY RAF 7211.019-225)							0150	1
	17	610BL48	. . INDICATOR, TOTAL AIR TEMPERATURE (V35918) (ADDED BY RAF 7211.019-225)							0150	1
	18	BACC10EL3	. . CLAMP, (ADDED BY RAF 7211.019-225)							0150	1
	19	042-1008-065	. . BASE, WARNING LIGHT (V81590) (ADDED BY RAF 7211.019-225)							0150	1
	20	515-1008-065	. CAP, DUAL WARNING LIGHT (V81590) (ADDED BY RAF 7211.019-225)							0150	1
			. FOR REFERENCE TO OTHER PANEL DETAILS, SEE NHA							0150	

MISSING ITEM NUMBERS ARE NOT APPLICABLE

34-09-36E



A 3409036H REV 265

FIGURE 36H. PANEL INSTL. FLIGHT ENGINEERS AUXILIARY (NAVIGATION ONLY)



PARTS CATALOG

FIGURE & ITEM NO.	MANUFACTURER'S PART NUMBER	NOMENCLATURE							EFF FROM TO	UNITS PER ASSY	
		1	2	3	4	5	6	7			
R R R R R R R R R R R R	36H	361-39-11-74193-001	PANEL INSTL, MOD FLIGHT ENGINEERS AUXILIARY							0150	RF
			(NAVIGATION ONLY) (VS2500) (ADDED BY RAF 7211-019-225) (SEE 25-1, FIG. 1K, ITEM 5)								
	1	SHGP	. . . CAP, LIGHT (V81590)							0150	1
	2	120MB	. . . BULB, (V58854)							0150	1
		65-57565-2	. . . UNIT ASSY, (NAVIGATION ONLY)							0150	RF
	13	MS35059-28	. . . SWITCH							0150	1
	14	ST8130-4	. . . BASE, WARNING LIGHT (V81590)							0150	1
		65-57565-32	. . . PANEL INSTL, CABIN AIR (NAVIGATION ONLY)							0150	RF
		65-57565-30	. . . UNIT ASSY, (NAVIGATION ONLY)							0150	RF
	16	D201W3JA	. . . SWITCH, (V81640)							0150	1
		65-58399-1	PANEL INSTL, FLIGHT ENGINEERS AUXILIARY (NAVIGATION							0150	RF
			ONLY) (RELOCATED BY RAF 7211.019-225) (SEE 25-1, FIG. 1K, ITEM 5)								
		65-57565-32	. . . PANEL INSTL, CABIN AIR (NAVIGATION ONLY)							0150	RF
	65-57565-30	. . . UNIT ASSY, (NAVIGATION ONLY)							0150	RF	
20	D201W3JA	. . . SWITCH, (V81640)							0150	1	
		. . . FOR REFERENCE TO OTHER PANEL DETAILS, SEE NHA							0150		

MISSING ITEM NUMBERS ARE NOT APPLICABLE

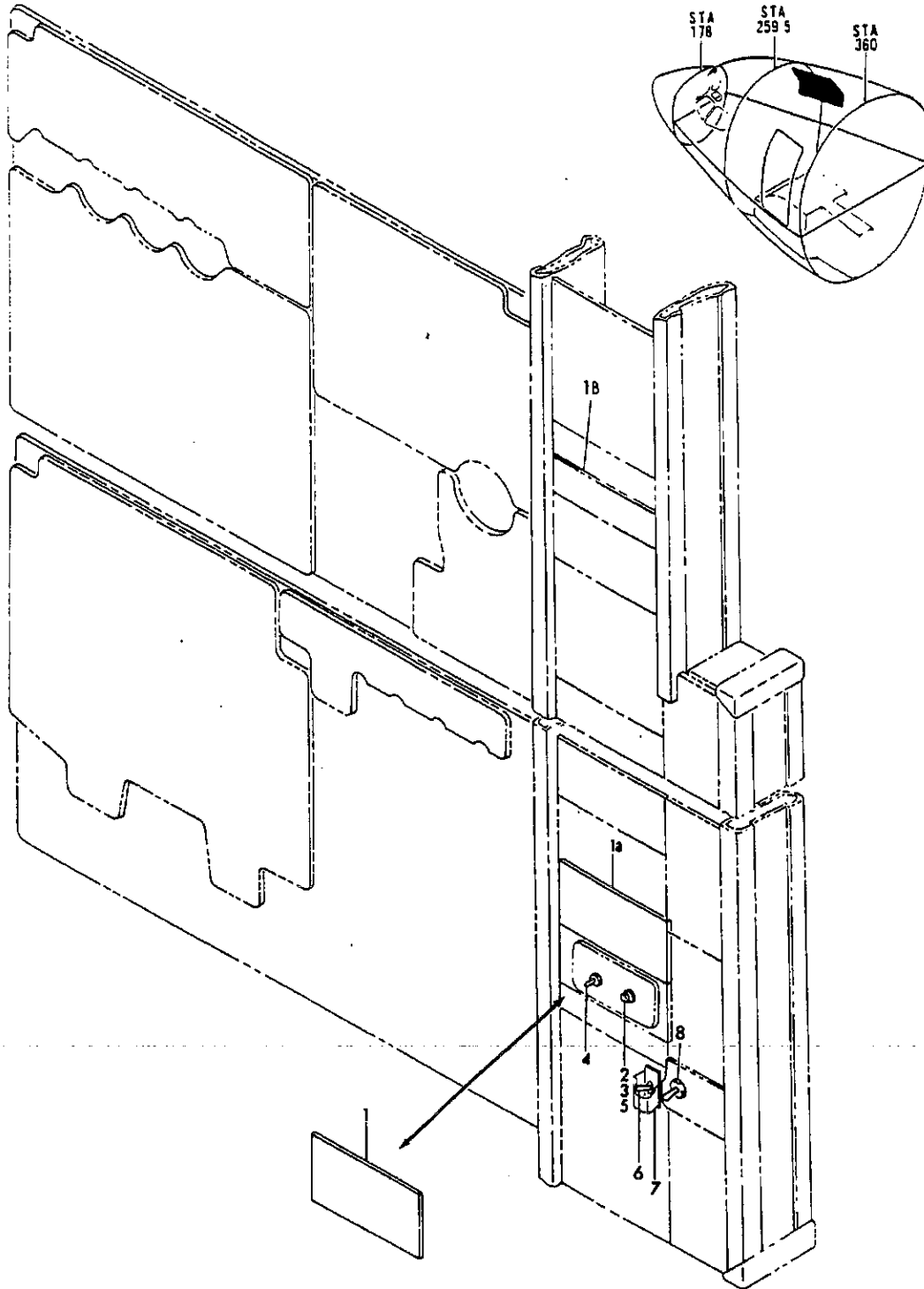


FIGURE 36L. PANEL INSTL, FLIGHT ENGINEERS AUXILIARY (NAVIGATION ONLY)



PARTS CATALOG

FIGURE & ITEM NO.	MANUFACTURER'S PART NUMBER	1 2 3 4 5 6 7	NOMENCLATURE	EFF	UNITS
				FROM TO	PER ASSY
36L 1	65-58957-1		PANEL INSTL, FLIGHT ENGINEERS AUXILIARY (NAVIGATION . . . ONLY) (SEE 25-1, FIG. 1F, ITEM 7, 25-1, FIG. 2D, ITEM 6 AND 25-1, FIG. 2E, ITEM 83)	5199	RF
	15625		. ENCODER, FLIGHT RECORDER (V03003) (CUSTOMER FURNISHED)	5199	1
			. FOR REFERENCE TO OTHER PANEL DETAILS SEE NHA.	5199	

MISSING ITEM NUMBERS ARE NOT APPLICABLE

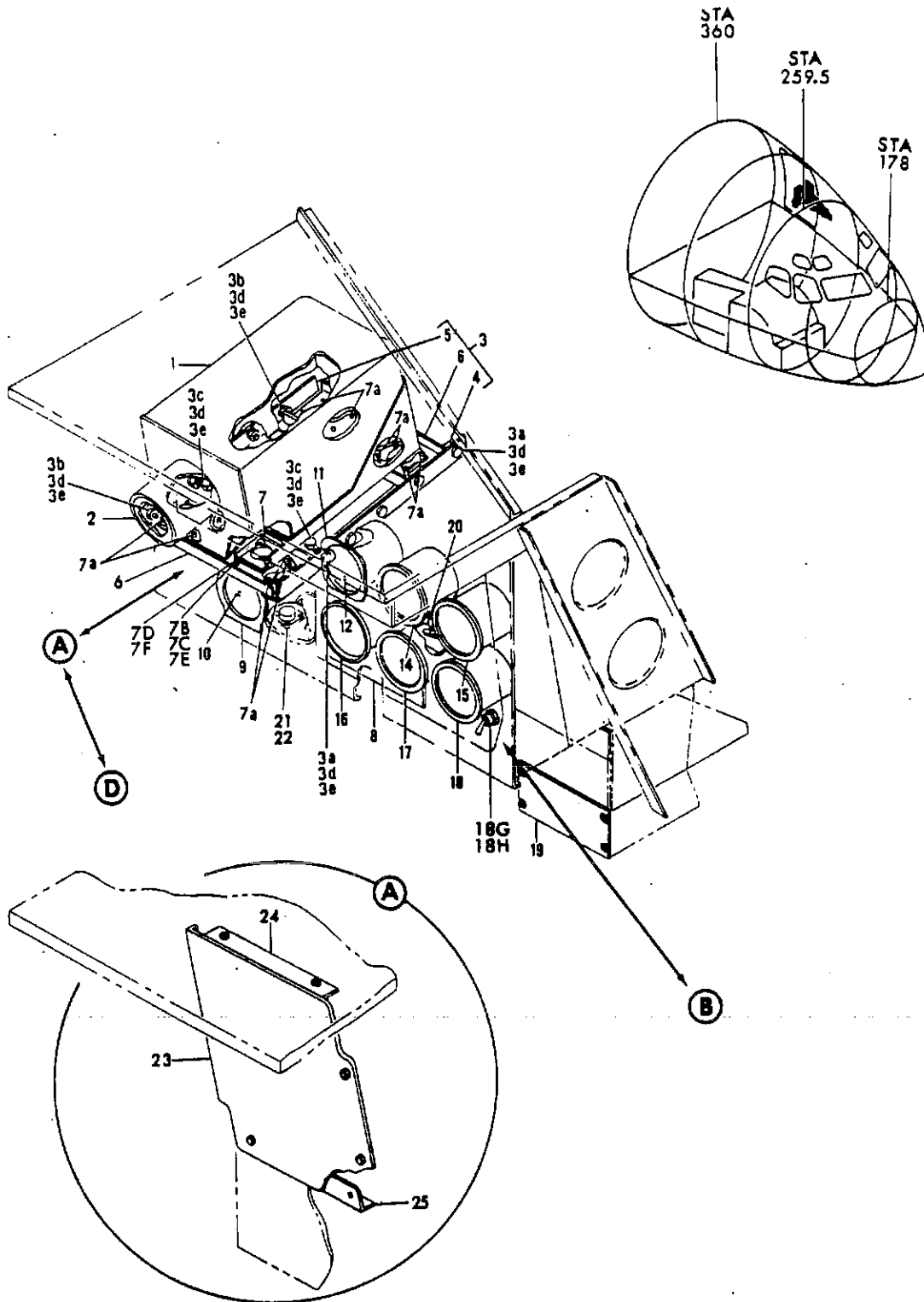


FIGURE 37A. EQUIPMENT INSTL., NAVIGATORS PANEL (NAVIGATION ONLY) (SHEET 1)

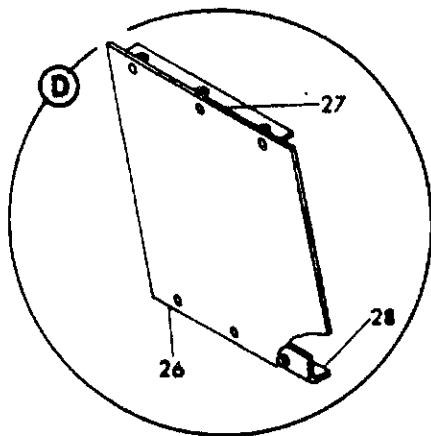
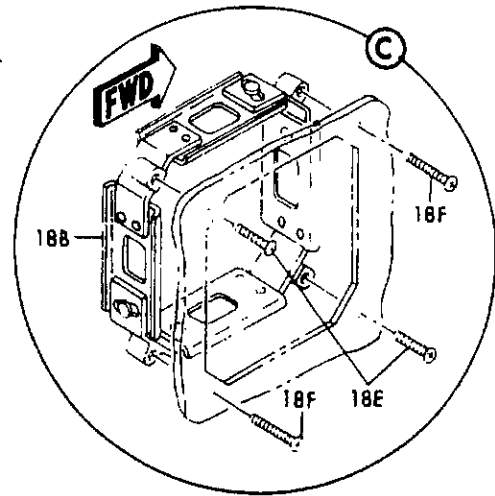
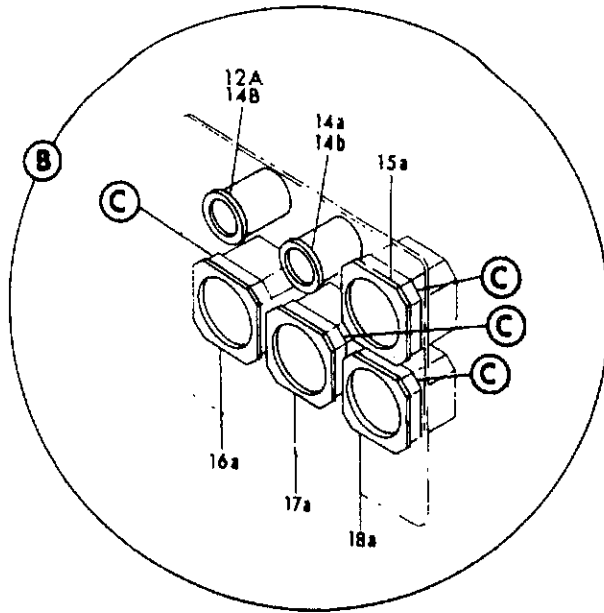


FIGURE 37A. EQUIPMENT INSTL, NAVIGATORS PANEL (NAVIGATION ONLY) (SHEET 2)

BOEING

707

PARTS CATALOG (MAINTENANCE)

FIGURE & ITEM NO.	MANUFACTURER'S PART NUMBER	NOMENCLATURE							EFF FROM TO	UNITS PER ASSY
		1	2	3	4	5	6	7		
37A	65-40548-1	EQUIPMENT INSTL, NAVIGATORS PANEL (NAVIGATION ONLY) (DELETED BY RAF MOD 7211.019-4) (SEE 25-1, FIG. 1K, ITEM 22)							0150	RF
1	MI23621	. ALTIMETER, (V59495) (CUSTOMER FURNISHED)							0101	1
2	MI19650	. VISOR, (V59495) (CUSTOMER FURNISHED)							0101	1
3	65-8382-1	. SUPPORT ASSY, ALTIMETER INDICATOR							0101	1
		ATTACHING PARTS								
3A	AN3-3A	. BOLT.							0101	5
3B	AN3-4A	. BOLT.							0101	4
3C	NAS603-5	. SCREW							0101	2
3D	AN960D10L	. WASHER.							0101	11
3E	NAS679A3W	. NUT							0101	11
		-----*								
4	65-8382-3	. . ANGLE, FORWARD.							0101	1
5	65-8382-4	. . ANGLE, AFT.							0101	1
		ATTACHING PARTS								
	AN3-3A	. BOLT.							0101	4
	AN960D10L	. WASHER.							0101	4
	NAS679A3W	. NUT							0101	4
		-----*								
6	65-8382-2	. . CHANNEL							0101	2
7	MI23615	. MOUNT, (V59495) (CUSTOMER FURNISHED)							0101	1
		ATTACHING PARTS								
7A	NAS603-6	. SCREW							0101	14
7D	NAS514P1032-6	. SCREW							0101	1
7E	NAS679A3W	. NUT							0101	1
7F	NAS679A3W	. NUT							0101	1
		-----*								
8	ECC00150-1	. PANEL, LORAN CONTROL (V25950) (CUSTOMER FURNISHED)							0150	1
9	ECC00704	. HOOD, VIEWING (V25950) (CUSTOMER FURNISHED) (OPTIONAL 25361 (V25950) (CUSTOMER FURNISHED))							0250	1
9	25361	. HOOD, VIEWING (V25950) (CUSTOMER FURNISHED) (OPTIONAL TO ECC00704 (V25950) (CUSTOMER FURNISHED))							0250	1
10	ECC00105	. INDICATOR, LORAN (V25950) (CUSTOMER FURNISHED)							0150	1
		ATTACHING PARTS								
	NAS601-6	. SCREW							0150	4
	NAS679A06W	. NUT							0150	4
		-----*								
12A	10-60768-20	. INDICATOR, STATIC AIR TEMPERATURE							0150	1
14A	10-60768-22	. INDICATOR, TRUE AIR SPEED							0150	1
14B	BACC10EL3	. CLAMP							0150	2
15	640-24-10L	. CLOCK, (V98429)							0150	1
		ATTACHING PARTS								
	NAS514P632-14	. SCREW							0150	4
		-----*								
16	A31665-10-006	. INDICATOR, MACHMETER (V89944)							0150	1
17	671CPL10-051	. ALTIMETER, (V89944)							0150	1
18	10-3284-4	. INDICATOR, RADIO MAGNETIC							0150	1
		ATTACHING PARTS								
	NAS514P632-14	. SCREW							0150	15
		-----*								
20	66-9602	. MANIFOLD, STATIC.							0150	1
		ATTACHING PARTS								
	NAS603-22P	. SCREW							0150	2
		-----*								
21	69-0R12S3S	. RECEPTACLE, (V02660).							0150	1
22	MS25043-12C	. COVER							0150	1
		ATTACHING PARTS								
	NAS600-6P	. SCREW							0150	4
	AN960-4	. WASHER.							0150	4
	NAS679A04W	. NUT							0150	4
		-----*								
23	69-58061-1	. PLATE, COVER.							0250	1
		ATTACHING PARTS								
	NAS603-5P	. SCREW							0250	4
		-----*								
24	65-40548-27	. BRACKET							0250	1
		ATTACHING PARTS								
	NAS514P1032-10	. SCREW							0250	2
	BACS18P3B12S	. SPACER.							0250	2
	BACS18P3C5P	. SPACER.							0250	2
	AN960D10L	. WASHER.							0250	2
	BACN10JC3	. NUT							0250	2
		-----*								

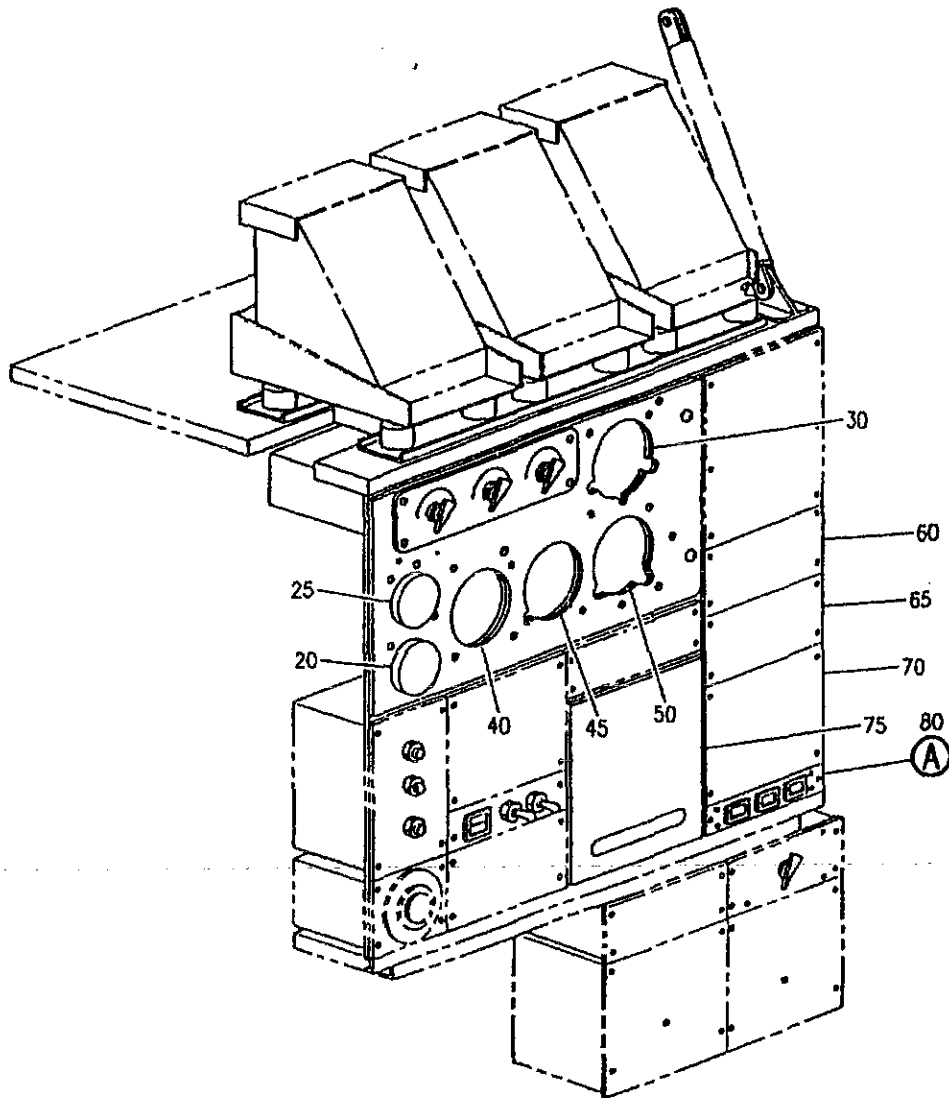
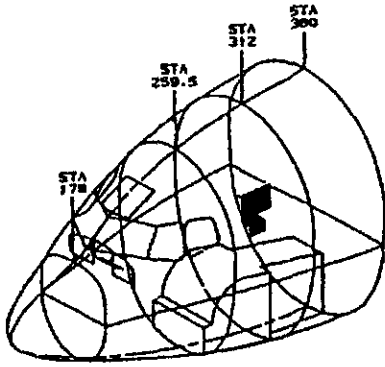
MISSING ITEM NUMBERS ARE NOT APPLICABLE

PARTS CATALOG

FIGURE & ITEM NO.	MANUFACTURER'S PART NUMBER	NOMENCLATURE							EFF FROM TO	UNITS PER ASSY	
		1	2	3	4	5	6	7			
R 37A 25	69-58061-2	.	BRACKET	0250	1	
R	NAS603-5P	.	ATTACHING PARTS	0250	2	
R	AN960D10L	.	SCREW	0250	2	
R	NAS679A3W	.	WASHER	0250	2	
R		.	NUT	0150		
		.	*-----*								
		.	FOR REFERENCE TO OTHER EQUIPMENT DETAILS, SEE NHA . .							0150	

MISSING ITEM NUMBERS ARE NOT APPLICABLE

BOEING
707
PARTS CATALOG (MAINTENANCE)



A 3409037B SHT 1 REV 272

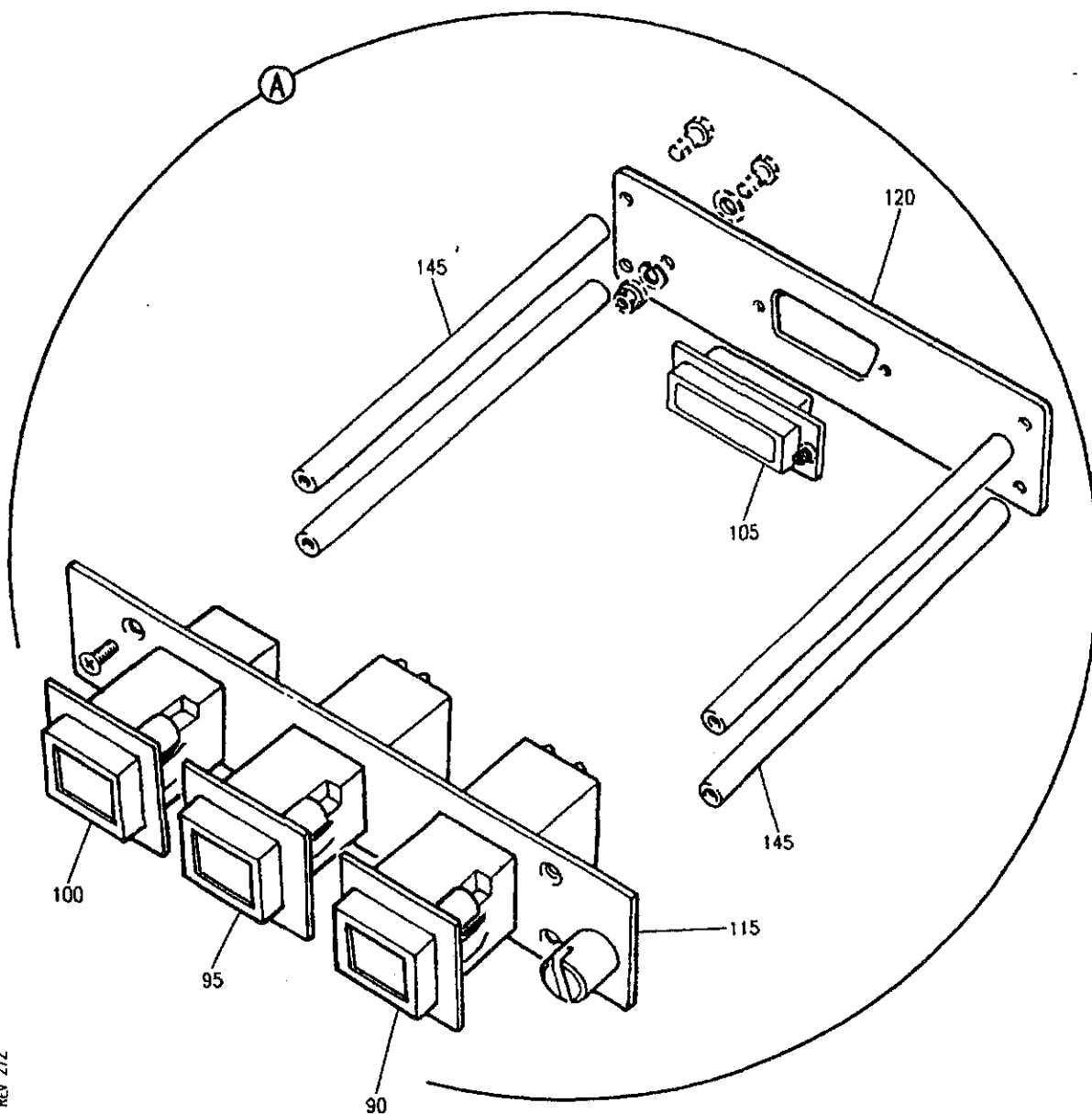
NAVIGATION - INSTRUMENT PANELS
FIGURE 37B. PANEL INSTL. MISSION COORDINATORS STATION (NAVIGATION ONLY) (SHEET 1)

DETAILED PARTS LIST
34-09-37B
PAGE 0

34-09-37B

NOV 21/01

BOEING
707
PARTS CATALOG (MAINTENANCE)



A 340937B SH 2 REV 272

NAVIGATION - INSTRUMENT PANELS
FIGURE 37B. PANEL INSTL. MISSION COORDINATORS STATION (NAVIGATION ONLY) (SHEET 2)

NOV 21/01

34-09-37B

DETAILED PARTS LIST
34-09-37B
PAGE 1

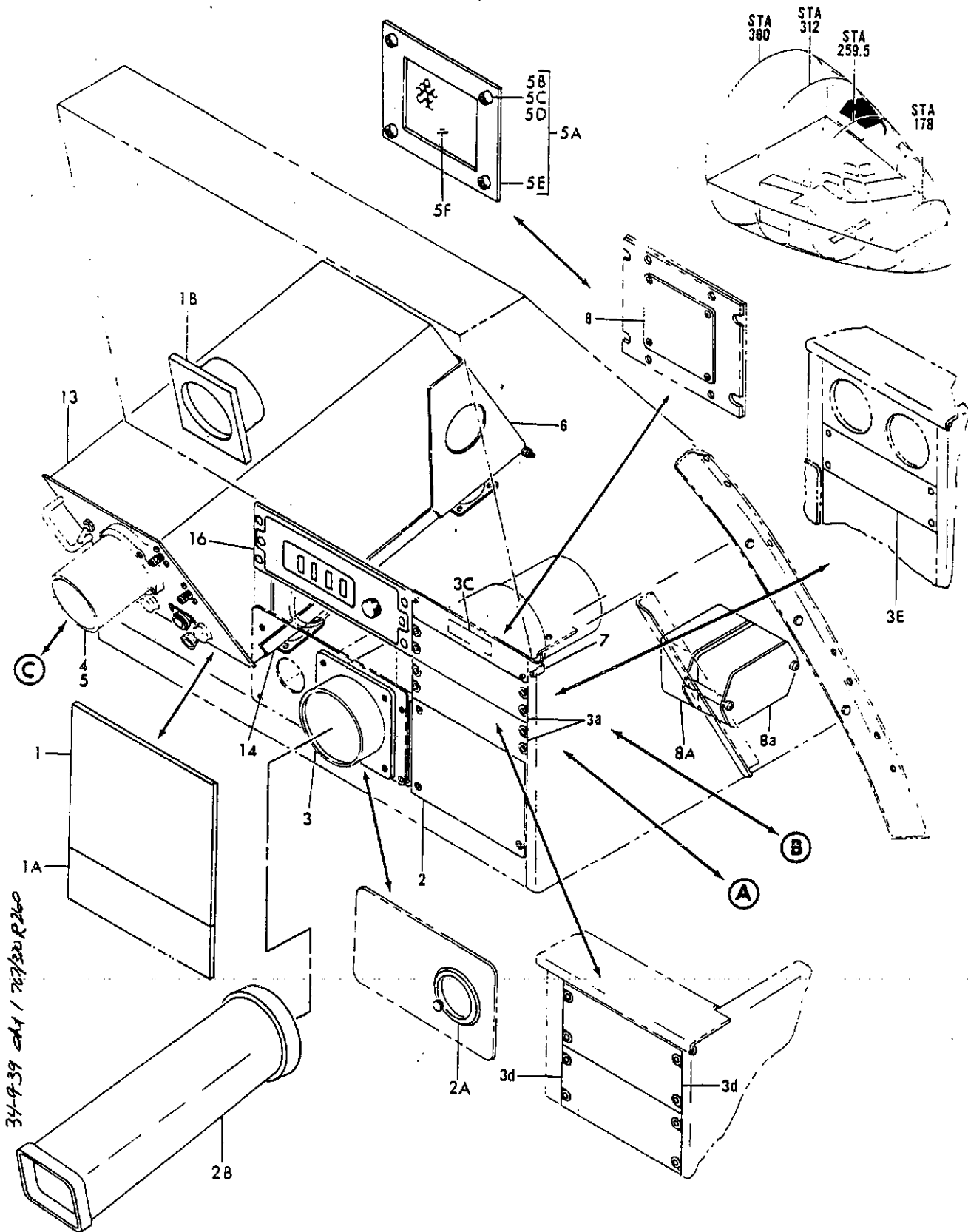


FIGURE 39. RACK INSTL, NAVIGATORS EQUIPMENT (NAVIGATION ONLY) (SHEET 1)

34-9-39 DA 2 707/320 R26c

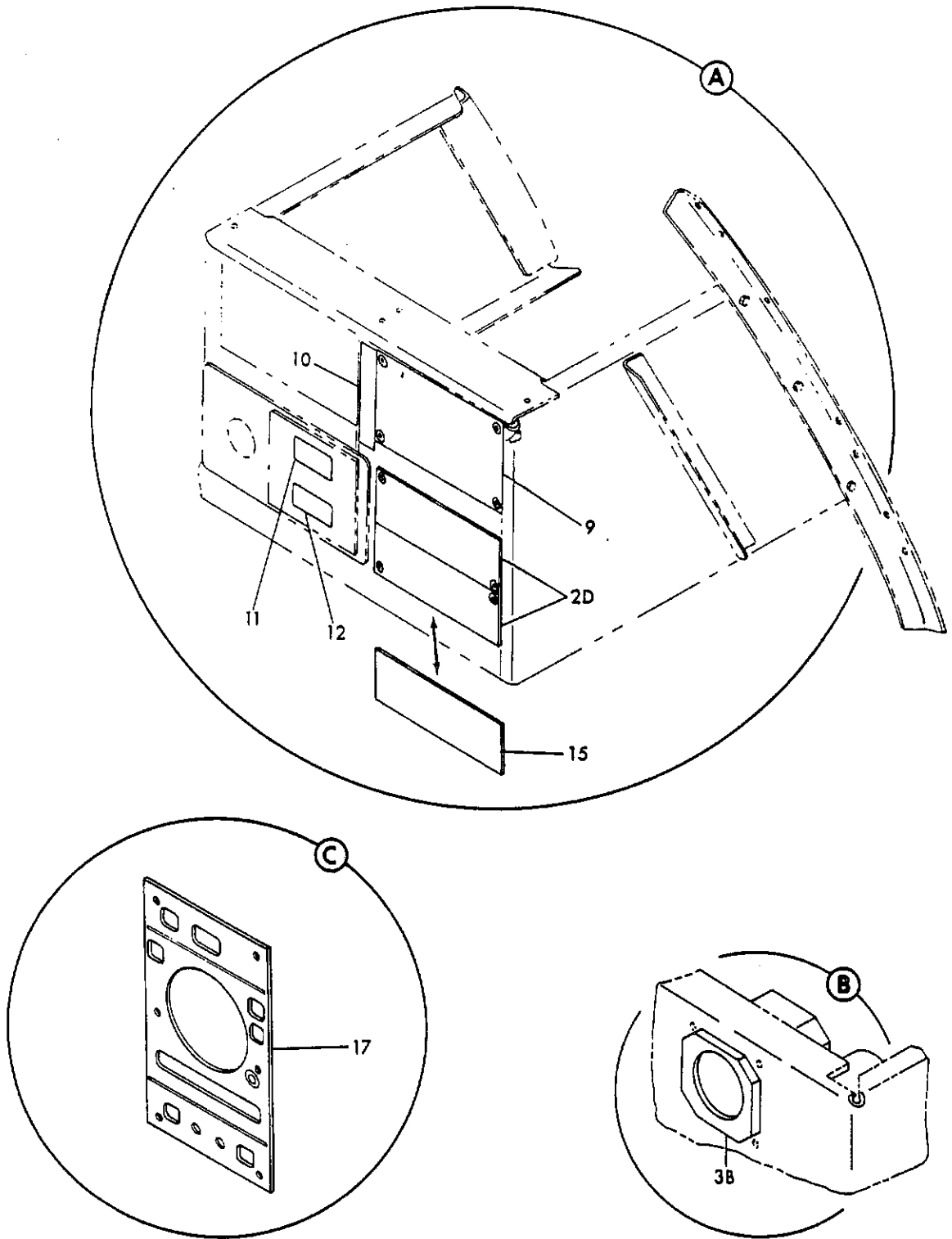


FIGURE 39. RACK INSTL, NAVIGATORS EQUIPMENT (NAVIGATION ONLY) (SHEET 2)

BOEING *707* *Intercontinental* 
PARTS CATALOG

FIGURE & ITEM NO.	MANUFACTURER'S PART NUMBER	1 2 3 4 5 6 7	NOMENCLATURE	EFF	UNITS
				FROM TO	PER ASSY
R R R R R R R R R R	39	65-53037	RACK INSTL, NAVIGATORS EQUIPMENT (NAVIGATION ONLY) (SEE 25-1, FIG. 1, ITEM 20, 25-1, FIG. 1B, ITEM 26 25-1, FIG. 1C, ITEM 26, 25-1, FIG. 1D, ITEM 24, 25-1, FIG. 1E, ITEM 23, 25-1, FIG. 1F, ITEM 20, 25-1, FIG. 1G, ITEM 23, 25-1, FIG. 1H, ITEM 21, 25-1, FIG. 1J, ITEM 21, 25-1, FIG. 2B, ITEM 20, 25-1, FIG. 2C, ITEM 21, 25-1, FIG. 2D, ITEM 17, 25-1, FIG. 2E, ITEM 90 AND 25-1, FIG. 2H, ITEM 20)	5199	RF
		65-53037-1	. SUPPORT ASSY, NAVIGATORS EQUIPMENT RACK (NAVIGATION ONLY)	5199	1
	7	65-53037-13	. . . PAD, NAVIGATORS EQUIPMENT RACK SUPPORT RUBBER . . .	5199	1
	8A	10S1034A	. FILTER, RADIO NOISE (V56289).	5199	2
		NAS602-30P	ATTACHING PARTS		
		NAS42DD6-128	. SCREW	5199	2
		NAS679A08W	. SPACER.	5199	2
			. NUT	5199	2
			-----*		
			. FOR REFERENCE TO OTHER PANEL DETAILS, SEE NHA	5199	

MISSING ITEM NUMBERS ARE NOT APPLICABLE

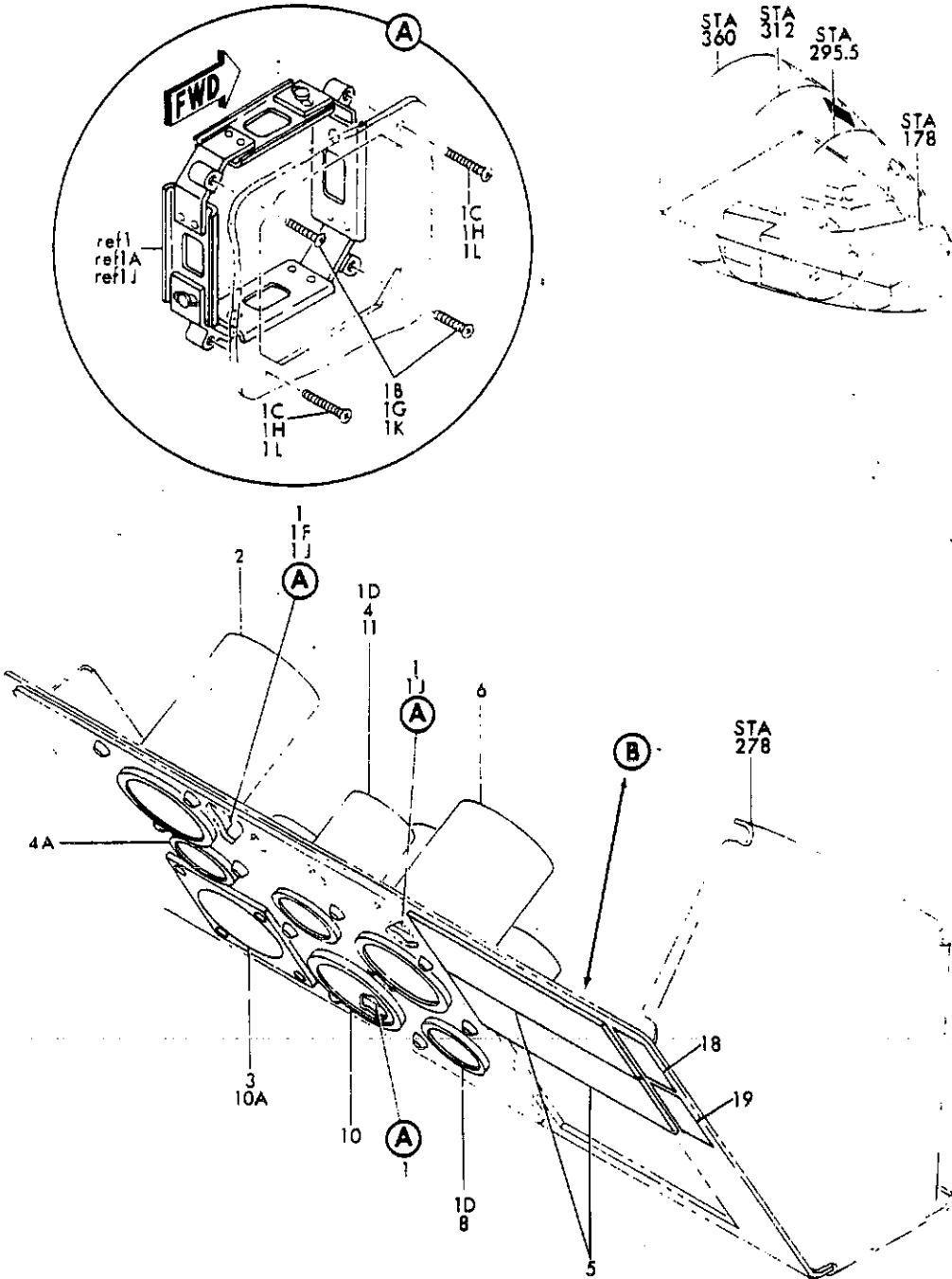


FIGURE 62. PANEL INSTL, NAVIGATORS (NAVIGATION ONLY) (SHEET 1)

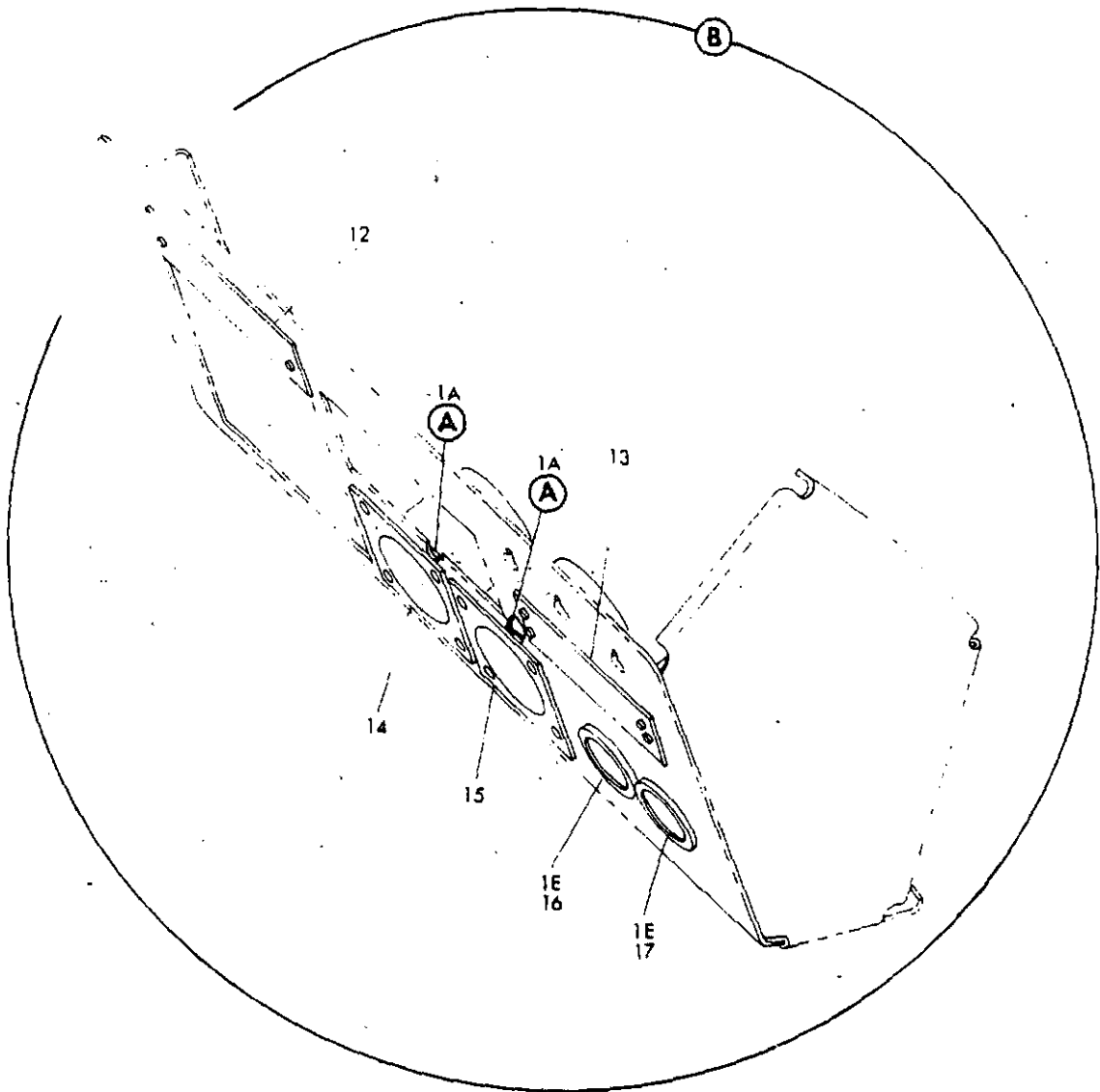


FIGURE 62. PANEL INSTL, NAVIGATORS (NAVIGATION ONLY) (SHEET 2)



PARTS CATALOG

FIGURE & ITEM NO.	MANUFACTURER'S PART NUMBER	NOMENCLATURE	EFF FROM TO	UNITS PER ASSY
62	50-5559	PANEL INSTL, NAVIGATORS (NAVIGATION ONLY) (SEE 25-1, . . . FIG. 1E, ITEM 20, 25-1, FIG. 1F, ITEM 17, 25-1, FIG. 2D, ITEM 15 AND 25-1, FIG. 2E, ITEM 7A)	5199	RF
	50-5559-179	. UNIT ASSY, (NAVIGATION ONLY).	5199	RF
1	9963	. . CLAMP ASSY, (V91893).	5199	3
M 18	AN515B6R12	. . . SCREW	5199	2
M 1C	AN515B8R16	. . . SCREW	5199	2
2	10-60715-6	. CLOCK	5151	1
5	2589420-901	. COMPENSATOR, REMOTE (V58960).	5199	2
6	A40179-10-025	. ALTIMETER, (V89944)	5151	1
10	36148-1AJ25A2	. INDICATOR, RADIO MAGNETIC (V55972).	5151	1
18	BAC27CEQ374	. DECAL, SYS 1.	5199	1
19	BAC27CEQ375	. DECAL, SYS 2.	5199	1
		. FOR REFERENCE TO OTHER PANEL DETAILS, SEE NHA	5199	

MISSING ITEM NUMBERS ARE NOT APPLICABLE

BOEING
707
PARTS CATALOG (MAINTENANCE)

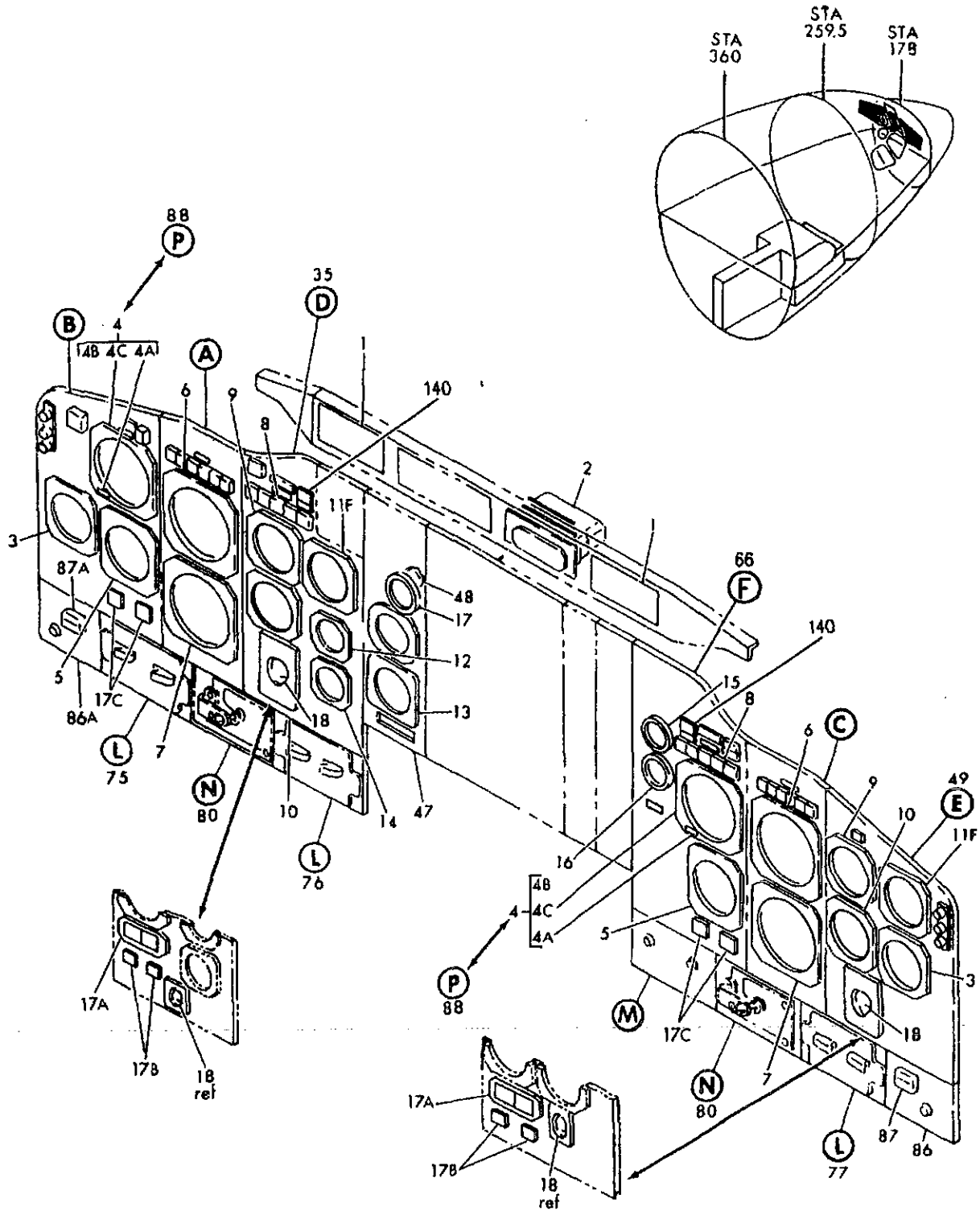


FIGURE 66A. MODULE INSTL. CAPTAINS AND FIRST OFFICERS (INSTRUMENT PANELS) (SHEET 1)

A 340966A SHT 1 REV 272

DETAILED PARTS LIST
34-09-66A
PAGE 0

34-09-66A

NOV 21/01

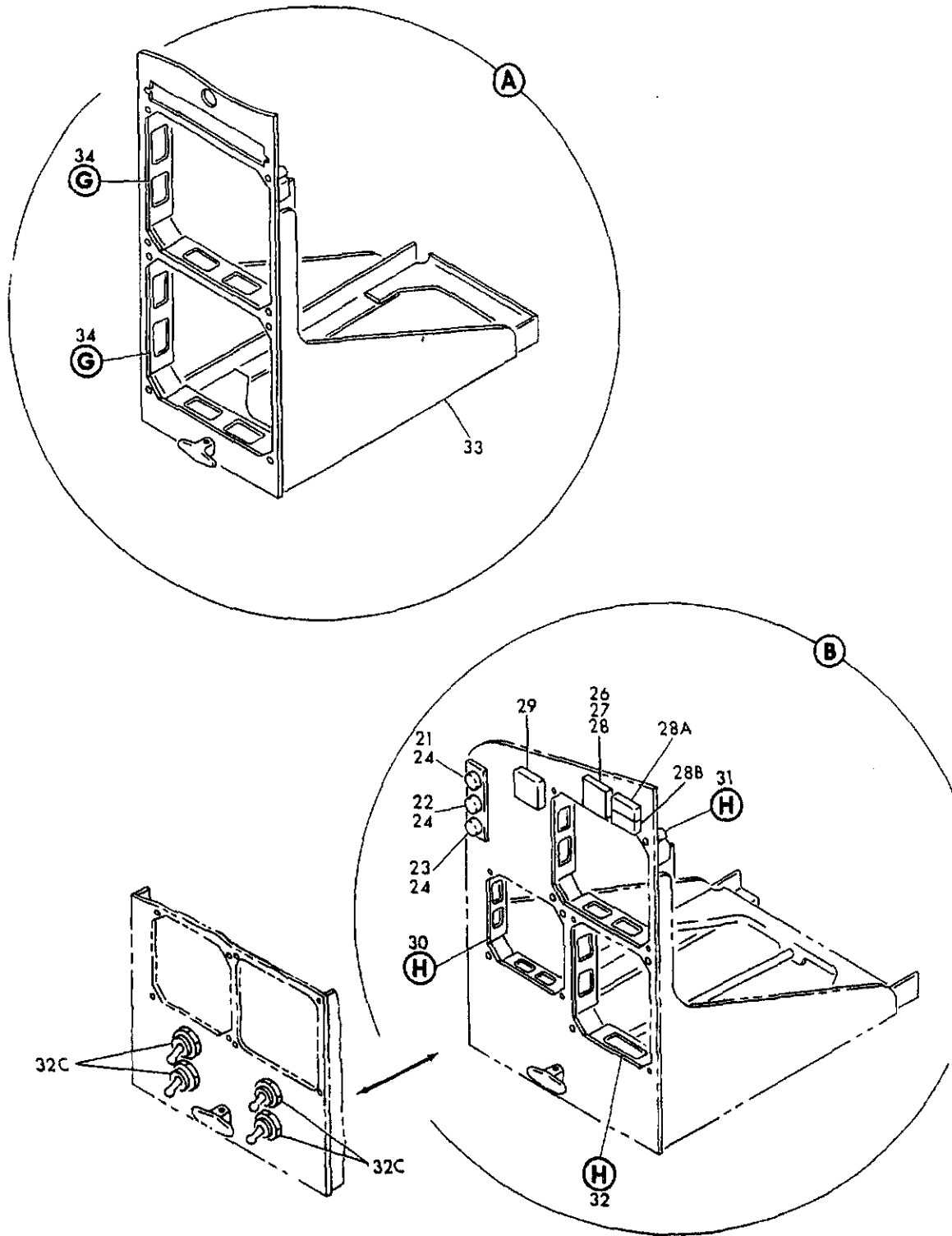
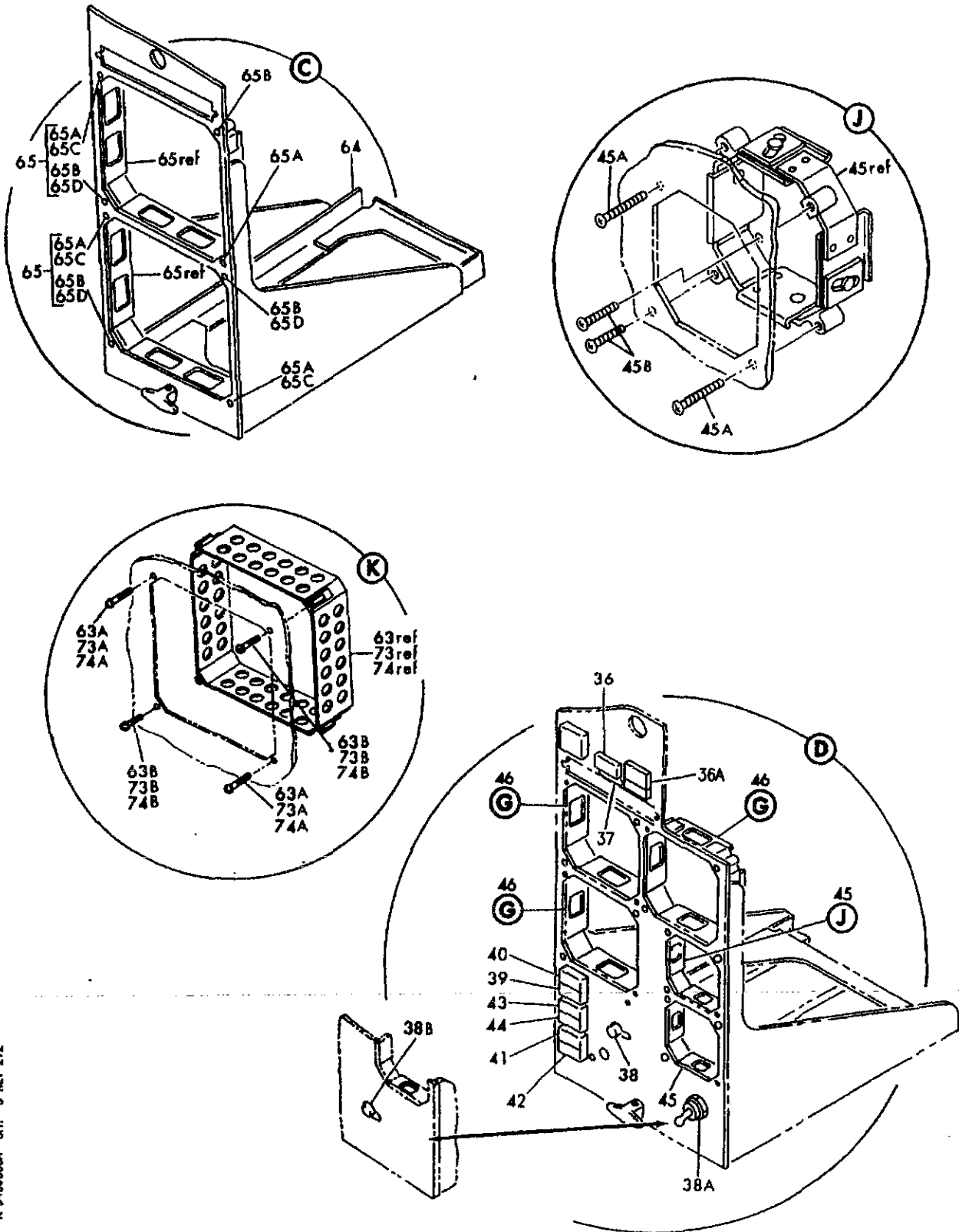


FIGURE 66A. MODULE (INSTL, CAPTAINS AND FIRST OFFICERS (INSTRUMENT PANELS ONLY) (SHEET 2)

BOEING
707
PARTS CATALOG (MAINTENANCE)



A 3409066A SH1 3 REV 272

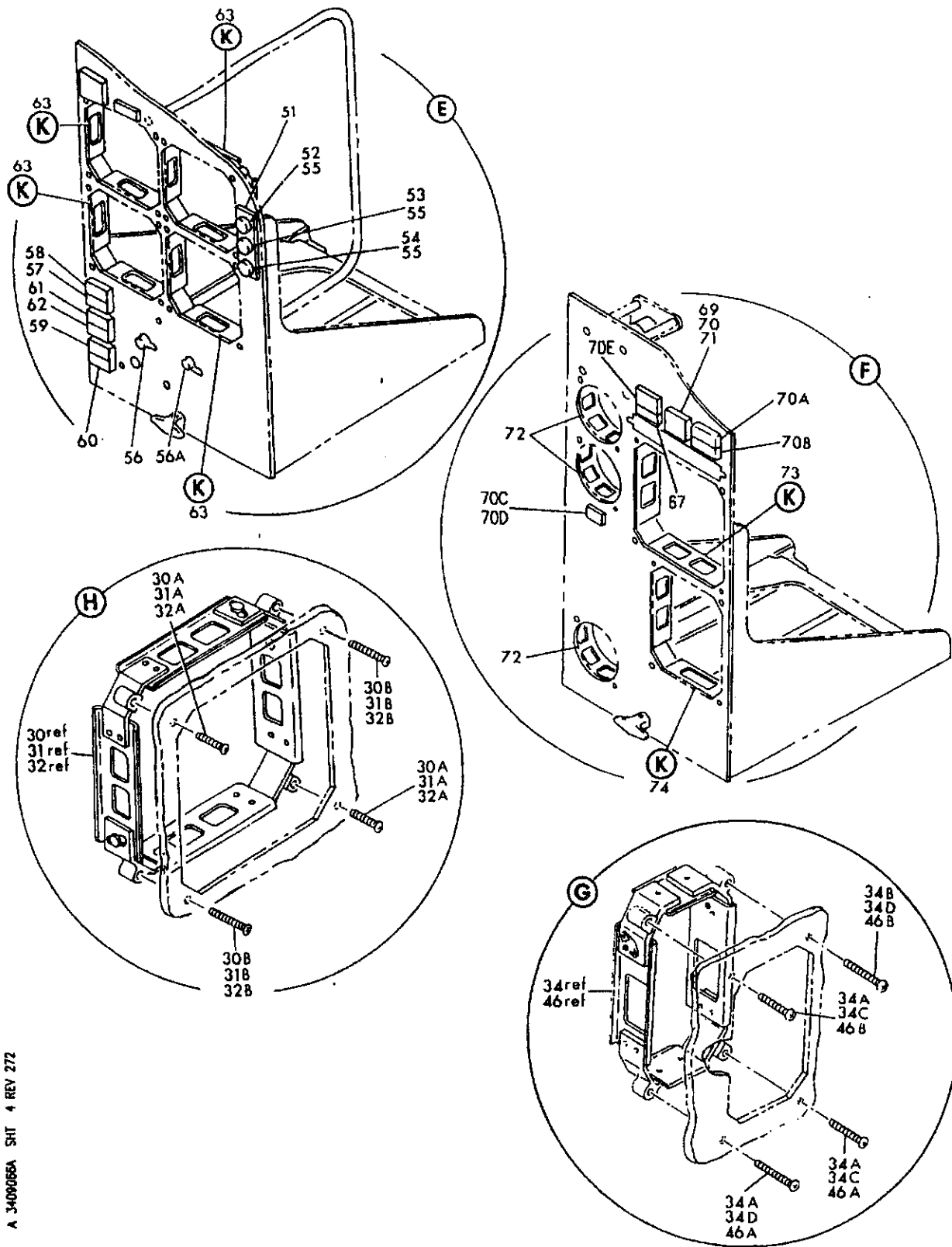
FIGURE 66A. MODULE INSTL. CAPTAINS AND FIRST OFFICERS (INSTRUMENT PANELS) (SHEET 3)

DETAILED PARTS LIST
34-09-66A
PAGE 2

34-09-66A

NOV 21/01

BOEING
707
PARTS CATALOG (MAINTENANCE)



A 3409066A SHIT 4 REV 272

FIGURE 66A. MODULE INSTL. CAPTAINS AND FIRST OFFICERS (INSTRUMENT PANELS) (SHEET 4)

NOV 21/01

34-09-66A

DETAILED PARTS LIST
34-09-66A
PAGE 3

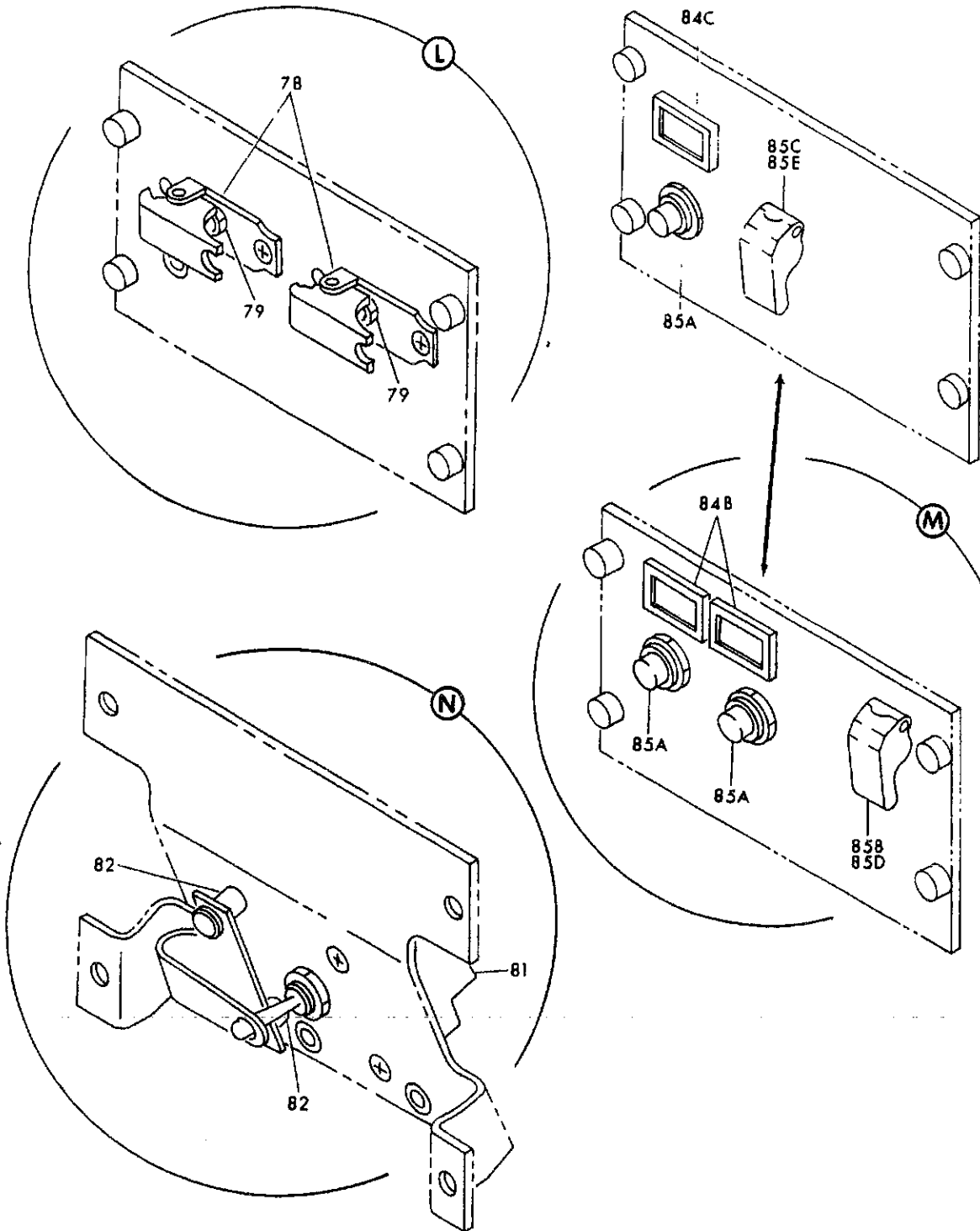


FIGURE 66A. MODULE INSTL, CAPTAINS AND FIRST OFFICERS (INSTRUMENT PANELS ONLY) (SHEET 5)

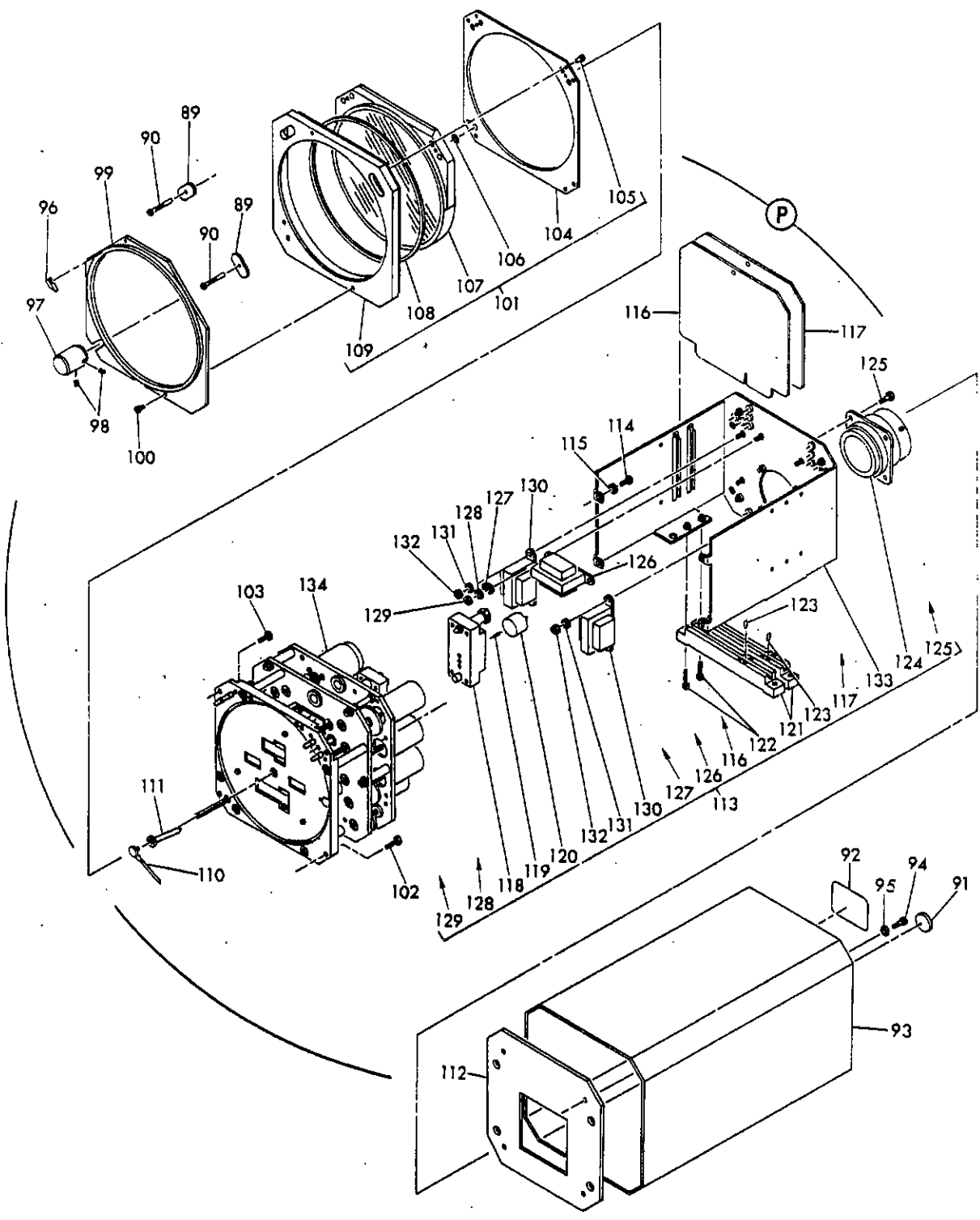


FIGURE 66A. MODULE INSTL. CAPTAINS AND FIRST OFFICERS (INSTRUMENT PANELS) (SHEET 6)



PARTS CATALOG

FIGURE & ITEM NO.	MANUFACTURER'S PART NUMBER	NOMENCLATURE	EFF	UNITS
			FROM TO	PER ASSY
66A	65C10900-1	MODULE INSTL, CAPTAINS AND FIRST OFFICERS (INSTRUMENT PANELS) (VARIABLE DWG; 65C10900-5003) (NAVIGATION ONLY) (SEE 25-1, FIG. 2E, ITEM 107A)	5199	RF
1	622-2367-001	. SELECTOR, F/D MODE (V13499)	5199	2
	MS35214-25	. ATTACHING PARTS . SCREW	5199	8
2	JG1052AC02	. INDICATOR, ALTIMETER ALERT CONTROLLER (V94580) (DELETED BY SVA E.O. 82204)	5151	1
2	JG1052AC04	. INDICATOR, ALTIMETER ALERT CONTROLLER (V94580) (ADDED BY SVA E.O. 82204)	5151	1
2	JG1052AC04	. INDICATOR, ALTIMETER ALERT CONTROLLER (V94580)	5299	1
3	10-60715-6	. CLOCK	5199	2
4	2594621-905	. INDICATOR, MACH AIRSPEED (V58960)	5151	2
5	1784460-655	. INDICATOR, RMI (V58960)	5199	2
6	792-6357-003	. INDICATOR, ADI (V13499) (DELETED BY SVA E.O. 81118)	5151	2
6	622-3344-002	. INDICATOR, ADI (V13499)	5299	2
6	622-3344-002	. INDICATOR, ADI (V13499) (ADDED BY SVA E.O. 81118)	5151	2
7	777-1083-011	. INDICATOR, HSI (V13499) (REWORKED BY SVA E.O. 81121)	5199	2
8	340-640-1006-011	. ANNUNCIATOR, F/D MODE (V81590)	5299	2
8	340-640-1007-001	. ANNUNCIATOR, F/D MODE (V81590)	5151	2
	MS35214-30	. ATTACHING PARTS . SCREW	5199	4
9	10-61826-6	. ALTIMETER, ELECTRIC	5299	2
10	4013013-903	. INDICATOR, INSTANTANEOUS VERTICAL SPEED (V58960) (OPTIONAL 4013013-904 (V58960)) (DELETED BY SVA E.O. 80988)	5151	2
10	4013013-904	. INDICATOR, INSTANTANEOUS VERTICAL SPEED (V58960) (OPTIONAL TO 4013013-903 (V58960)) (DELETED BY SVA E.O. 80988)	5151	2
10	10-61825-2	. INDICATOR, INSTANTANEOUS VERTICAL SPEED (V07187)	5299	2
10	2070-03-1	. INDICATOR, INSTANTANEOUS VERTICAL SPEED (V06989) (ADDED BY SVA E.O. 80988)	5151	2
11F	43900	. ALTIMETER, LOW RANGE RADIO (V92755) (CUSTOMER FURNISHED)	5299	2
11F	522-4114-002	. ALTIMETER, LOW RANGE RADIO (V13499) (CUSTOMER FURNISHED) (OPTIONAL TO 43900 (V92755))	5299	2
11F	522-4114-003	. ALTIMETER, LOW RANGE RADIO (V13499) (CUSTOMER FURNISHED)	5299	2
11F	522-4114-008	. ALTIMETER, LOW RANGE RADIO (V13499) (CUSTOMER FURNISHED) (OPTIONAL TO 43900 (V92755))	5299	2
11F	522-4114-002	. ALTIMETER, LOW RANGE RADIO (V13499) (CUSTOMER FURNISHED) (REPLACES 43900 (V92755)) (OPTIONAL 522-4114-003, 522-4114-008 (V13499))	5151	2
11F	43900	. ALTIMETER, LOW RANGE RADIO (V92755) (CUSTOMER FURNISHED) (DELETED BY SVA E.O. 80965)	5151	2
11F	522-4114-003	. ALTIMETER, LOW RANGE RADIO (V13499) (CUSTOMER FURNISHED) (OPTIONAL TO 522-4114-002 (V13499))	5151	2
11F	522-4114-008	. ALTIMETER, LOW RANGE RADIO (V13499) (CUSTOMER FURNISHED) (OPTIONAL TO 522-4114-002 (V13499))	5151	2
12	8047-10B	. ALTIMETER, PNEUMATIC (V07147)	5199	1
13	705-7V4	. INDICATOR, STANDBY GYRO HORIZON (VF6306)	5199	1
	MS35214-30	. ATTACHING PARTS . SCREW	5199	3
14	8059-2B	. INDICATOR, AIRSPEED (V07147)	5199	1
15	610BL4B	. INDICATOR, TOTAL AIR TEMP (V35918)	5199	1
16	10-60768-19	. INDICATOR, STATIC AIR TEMP.	5199	1
17	10-60768-22	. INDICATOR, TRUE AIRSPEED.	5199	1

MISSING ITEM NUMBERS ARE NOT APPLICABLE

34-09-66A



PARTS CATALOG

FIGURE & ITEM NO.	MANUFACTURER'S PART NUMBER	1 2 3 4 5 6 7	NOMENCLATURE	EFF	UNITS
				FROM TO	PER ASSY
66A 19	65C10901-9		MODULE ASSY, PB-1 (NAVIGATION ONLY)	5199	RF
20	074-1012-002		BASE ASSY, MARKER BEACON LIGHT (V81590)	5199	1
21	539-1012-002		CAP, LIGHT (AIRWAYS) (V81590)	5199	1
22	539-1012-003		CAP, LIGHT (MIDDLE) (V81590)	5199	1
23	539-1012-004		CAP, LIGHT (OUTER) (V81590)	5199	1
24	MS15571-2		LAMP	5199	3
26	202-1049-001		BASE ASSY, (V81590)	5199	1
27	611-1049-001		CAP, LIGHT NAVIGATOR WARNING (V81590)	5199	1
28	MS18209-387		BULB	5199	2
28A	318-630-1010-001		INDICATING LIGHT, PULL UP (V81590)	5199	1
28B	318-630-1011-001		INDICATING LIGHT, BELOW G/S (V81590)	5199	1
30	123-3		CLAMP ASSY, (V28277) (OPTIONALS 54621 (V98625), 9963 (V91893))	5199	1
30	54621		CLAMP ASSY, (V98625) (OPTIONAL TO 123-3 (V28277))	5199	1
30	9963		CLAMP ASSY, (V91893) (OPTIONAL TO 123-3 (V28277))	5199	1
M 30A	MS35214-29		SCREW, (USED ON 123-3)	5199	2
M 30A	AN515B6R12		SCREW, (USED ON 9963 AND 54621)	5199	2
M 30B	MS35214-46		SCREW, (USED ON 123-3)	5199	2
M 30B	AN515B8R16		SCREW, (USED ON 9963 AND 54621)	5199	2
31	123-4		CLAMP ASSY, (V28277) (OPTIONALS 54622 (V98625), 9964 (V91893))	5199	1
31	54622		CLAMP ASSY, (V98625) (OPTIONAL TO 123-4 (V28277))	5199	1
31	9964		CLAMP, (V91893) (OPTIONAL TO 123-4 (V28277))	5199	1
M 31A	MS35214-29		SCREW, (USED ON 123-4)	5199	2
M 31A	AN515B6R12		SCREW, (USED ON 54622)	5199	2
M 31B	MS35214-46		SCREW, (USED ON 123-4)	5199	2
M 31B	AN515B8R16		SCREW, (USED ON 54622)	5199	2
32	52321		CLAMP ASSY, (V98625)	5199	1
M 32A	ANS078832R12		SCREW	5199	2
M 32B	AN515B8R14		SCREW	5199	2
32C	15AT17		SWITCH, (V91929)	5199	4
			ATTACHING PARTS		
	NAS514P632-7		SCREW	5199	8
33	65C10902-4		MODULE ASSY, PB-2 (NAVIGATION ONLY)	5199	RF
34	123-5		CLAMP ASSY, (V28277) (OPTIONALS MBG67024 (V98625), 64301 (V91893))	5199	2
34	MBG67024		CLAMP ASSY, (V98625) (OPTIONAL TO 123-5 (V28277))	5199	2
34	64301		CLAMP, (V91893) (OPTIONAL TO 123-5 (V28277))	5199	2
M 34A	MS35214-44		SCREW, (USED ON 123-5)	5199	2
M 34B	MS35214-46		SCREW, (USED ON 123-5)	5199	2
M 34C	MS35214-48		SCREW, (USED ON MBG67024)	5199	2
M 34D	MS35214-49		SCREW, (USED ON MBG67024)	5199	2
35	65C10903-9		MODULE ASSY, PB-3 (NAVIGATION ONLY)	5199	RF
36	318-630-1003-080		LIGHT ASSY, INDICATOR ALTITUDE ALERT (V81590)	5199	1
37	BAC27CEQ143		DECAL, F/D ANN.	5199	1
38A	MS24660-23D		SWITCH	5199	1
45	123-2		CLAMP ASSY, (V28277) (OPTIONALS 54620 (V98625), 9962 (V91893))	5199	2
45	54620		CLAMP ASSY, (V98625) (OPTIONAL TO 123-2 (V28277))	5199	2
45	9962		CLAMP ASSY, (V91893) (OPTIONAL TO 123-2 (V28277))	5199	2
M 45A	MS35214-29		SCREW, (USED ON 123-2)	5199	2
M 45A	AN515B6R12		SCREW, (USED ON 9962 AND 54620)	5199	2
M 45B	MS35214-46		SCREW, (USED ON 123-2)	5199	2
M 45B	AN515B8R16		SCREW, (USED ON 9962 AND 54620)	5199	2
46	123-3		CLAMP ASSY, (V28277) (OPTIONALS 54621 (V98625), 9963 (V91893))	5199	3
46	54621		CLAMP ASSY, (V98625) (OPTIONAL TO 123-3 (V28277))	5199	3
46	9963		CLAMP ASSY, (V91893) (OPTIONAL TO 123-3 (V28277))	5199	3
M 46A	MS35214-29		SCREW, (USED ON 123-3)	5199	2
M 46A	AN515B6R12		SCREW, (USED ON 9963 AND 54621)	5199	2
M 46B	MS35214-46		SCREW, (USED ON 123-3)	5199	2
M 46B	AN515B8R16		SCREW, (USED ON 9963 AND 54621)	5199	2
47	65C10904-1		MODULE ASSY, PB-4 (NAVIGATION ONLY)	5199	RF

MISSING ITEM NUMBERS ARE NOT APPLICABLE

BOEING 
 PARTS CATALOG

FIGURE & ITEM NO.	MANUFACTURER'S PART NUMBER	NOMENCLATURE	EFF	UNITS
			FROM TO	PER ASSY
66A 48	BACC10EL3	CLAMP	5199	1
49	65C10907-9	MODULE ASSY, P10-1 (NAVIGATION ONLY)	5199	RF
50	318-630-1003-080	LIGHT ASSY, INDICATOR ALTITUDE ALERT (V81590)	5199	1
51	074-1012-002	BASE ASSY, (V81590)	5199	1
52	539-1012-002	CAP, LIGHT (AIRWAYS) (V81590)	5199	1
53	539-1012-003	CAP, LIGHT (MIDDLE) (V81590)	5199	1
54	539-1012-004	CAP, LIGHT (OUTER) (V81590)	5199	1
55	MS15571-2	LAMP	5199	3
56	MS24660-23D	SWITCH	5199	1
63	123-3	CLAMP ASSY, (V28277) (OPTIONALS 54621 (V98625), 9963 (V91893))	5199	4
63	54621	CLAMP ASSY, (V98625) (OPTIONAL TO 123-3 (V28277))	5199	4
63	9963	CLAMP ASSY, (V91893) (OPTIONAL TO 123-3 (V28277))	5199	4
M 63A	MS35214-29	SCREW, (USED ON 123-3)	5199	2
M 63A	AN515B6R12	SCREW, (USED ON 9963 AND 54621)	5199	2
M 63B	MS35214-46	SCREW, (USED ON 123-3)	5199	2
M 63B	AN515B8R16	SCREW, (USED ON 9963 AND 54621)	5199	2
64	65C10908-4	MODULE ASSY, P10-2 (NAVIGATION ONLY)	5199	RF
65	123-5	CLAMP ASSY, (V28277) (OPTIONALS MBG67024 (V98625), 64301 (V91893))	5199	2
65	MBG67024	CLAMP ASSY, (V98625) (OPTIONAL TO 123-5 (V28277))	5199	2
65	64301	CLAMP, (V91893) (OPTIONAL TO 123-5 (V28277))	5199	2
M 65A	MS35214-44	SCREW, (USED ON 123-5)	5199	2
M 65B	MS35214-46	SCREW, (USED ON 123-5)	5199	2
M 65C	MS35214-48	SCREW, (USED ON MBG67024)	5199	2
M 65D	MS35214-49	SCREW, (USED ON MBG67024)	5199	2
66	65C10909-8	MODULE ASSY, P10-3 (NAVIGATION ONLY)	5199	RF
68	BAC27CEQ143	DECAL, F/D ANN.	5199	1
69	611-1049-001	CAP, LIGHT NAVIGATOR WARNING (V81590)	5199	1
70	MS25237-387	BULB	5199	2
70A	318-630-1010-001	INDICATING LIGHT, PULL UP (V81590)	5199	1
70B	318-630-1011-001	INDICATING LIGHT, BELOW G/S (V81590)	5199	1
71	2Q2-1049-001	BASE ASSY, (V81590)	5199	1
72	BACC10EL3	CLAMP	5199	3
73	123-4	CLAMP ASSY, (V28277) (OPTIONALS 54622 (V98625), 9964 (V91893))	5199	1
73	54622	CLAMP ASSY, (V98625) (OPTIONAL TO 123-4 (V28277))	5199	1
73	9964	CLAMP, (V91893) (OPTIONAL TO 123-4 (V28277))	5199	1
M 73A	MS35214-29	SCREW, (USED ON 123-4)	5199	2
M 73A	AN515B6R12	SCREW, (USED ON 54622)	5199	2
M 73B	MS35214-46	SCREW, (USED ON 123-4)	5199	2
M 73B	AN515B8R16	SCREW, (USED ON 54622)	5199	2
74	123-6	CLAMP ASSY, (V28277) (OPTIONALS MBG67038 (V98625), 64304 (V91893))	5199	1
74	MBG67038	CLAMP ASSY, (V98625) (OPTIONAL TO 123-6 (V28277))	5199	1
74	64304	CLAMP ASSY, (V91893) (OPTIONAL TO 123-6 (V28277))	5199	1
M 74A	MS35214-29	SCREW, (USED ON 123-6 AND MBG67038)	5199	2
M 74A	AN515B6R12	SCREW, (USED ON 64304)	5199	2
M 74B	MS35214-46	SCREW, (USED ON 123-6 AND MBG67038)	5199	2
M 74B	AN515B8R16	SCREW, (USED ON 64304)	5199	2
80	69-67143-1	MODULE ASSY, P8-6 AND P10-6 (NAVIGATION ONLY)	5199	RF
81	K4567	VALVE, SELECTOR (V55469) ATTACHING PARTS	5199	1
	NAS514P632-8	SCREW	5199	2
	NAS601-14P	SCREW	5199	2
	AN960PD6	WASHER	5199	4
82	NAS43DD1-14	SPACER	5199	2
83	69-66331-7	PANEL ASSY, P10-7 (NAVIGATION ONLY)	5199	RF
84C	10-61803-186	LIGHT, INDP	5199	1
85A	D20011-01	SWITCH, (V81640)	5199	1
85C	11100-1	GUARD, SWITCH (V72914)	5199	1
85E	MS24523-23	SWITCH	5199	1
88	10-61818-1	INDICATOR, MACH AIRSPEED (SAME AS 2081-05-1 (V52013))	5299	2

MISSING ITEM NUMBERS ARE NOT APPLICABLE



PARTS CATALOG

FIGURE & ITEM NO.	MANUFACTURER'S PART NUMBER	1 2 3 4 5 6 7	NOMENCLATURE	EFF FROM TO	UNITS PER ASSY
66A 88	2081-05-1	.	INDICATOR, MACH AIRSPEED (V52013) (SAME AS. BAC SPEC NO.;10-61818-1)	5299	RF
M 89	500097-001	..	COVER, LAMP (V52013).	5299	2
M 90	500098-006	..	ATTACHING PARTS SCREW, CAPTIVE (V52013)	5299	2
M 91	500416-001	..	SEAL, TEMPER PROOF.	5299	1
M 92	500506-001	..	PLATE, IDENTIFICATION (V52013).	5299	1
M 93	500400-001	..	HOUSING, (V52013)	5299	1
M 94	900006-002	..	ATTACHING PARTS SCREW, (V52013)	5299	4
M 95	901002-002	..	WASHER, (V52013).	5299	4
M 96	911020-001	..	POINTER, NYLON (V52013)	5299	5
M 97	200006-004	..	KNOB, INSTRUMENT (V52013)	5299	1
M 98	900007-003	..	ATTACHING PARTS SCREW, SET SPLINE HEAD (V52013)	5299	2
M 99	500458-001	..	INSTRUMENT, MEMORY INDEX (V52013)	5299	1
M100	500442-001	..	ATTACHING PARTS SCREW, FIL. HD. (V52013).	5299	3
M101	100132-01-01	..	FLANGE ASSY, (V52013)	5299	1
M102	900008-002	..	ATTACHING PARTS SCREW, MACHINE FLAT HD. 4-40 X .312 LG. (V52013).	5299	2
M103	900006-005	..	SCREW, FLT. FIL. HD. (V52013)	5299	2
M104	500394-001	..	RETAINER, GLASS (V52013).	5299	1
M105	900004-001	..	ATTACHING PARTS SCREW, (V52013)	5299	4
M106	500011-001	..	O-RING, (V52013).	5299	1
M107	200276-001	..	GLASS ASSY, (V52013).	5299	1
M108	500404-001	..	GASKET, GLASS (V52013).	5299	1
M109	50392-001	..	FLANGE, BEZEL (V52013).	5299	1
M110	200219-001	..	POINTER ASSY, AIRSPEED (V52013)	5299	1
M111	200220-001	..	POINTER ASSY, MAX ALLOWABLE (V52013).	5299	1
M112	500488-001	..	GASKET, REAR (V52013)	5299	1
M113	100129-01-01	..	ELECTRONIC ASSY (V52013).	5299	1
M114	900006-004	..	ATTACHING PARTS SCREW, FLT. FIL. HD. 4-40 X .187 LG. (V5-013)	5299	4
M115	903001-002	..	WASHER, LOCK (V52013)	5299	4
M116	100120-01-01	..	BOARD ASSY, MACH SERVO AMPLIFIER P.C. (V52013).	5299	1
M117	100121-01-01	..	BOARD ASSY, VMO POINTER AND AIRSPEED BUG (V52013)	5299	1
M118	71825-0001	..	CONNECTOR ASSY, (V52013).	5299	1
M119	72149-0001	..	PIN, CONTACT CRIMP (V52013)	5299	75
M120	910001-001	..	SLEEVING, SHRINKABLE (V52013)	5299	AR
M121	251-15-230-70	..	RECEPTACLE, CARD EDGE (V71785).	5299	2
M122	900006-005	..	ATTACHING PARTS SCREW, FLT. FIL. HD. 4-40 X 7/16 LG. (V52013)	5299	4
M123	500067-002	..	KEY, POLARIZING (V52013).	5299	2
M124	MS24264R-208-41P	..	CONNECTOR ATTACHING PARTS	5299	1
M125	900006-004	..	SCREW, FLT. FIL. HD. 4-40 X 3/16 LG. (V52013)	5299	4
M126	70906-0001	..	TRANSFORMER, (V52013)	5299	1
M127	907004-001	..	ATTACHING PARTS LUG, GROUND (V52013).	5299	1
M128	903001-002	..	WASHER, SPLITLOCK NO. 4 (V52013).	5299	2
M129	905002-008	..	NUT, HEX NO. 4-40 (V52013).	5299	2
M130	70901-0001	..	TRANSFORMER, (V52013)	5299	2
M131	903001-002	..	ATTACHING PARTS WASHER, (V52013).	5299	4
M132	905002-008	..	NUT, HEX (V52013)	5299	4
M133	200271-001	..	SUPPORT ASSY, FRAME (V52013).	5299	1
M134	100136-01-01	..	DISPLAY ASSY, (V52013).	5299	1

MISSING ITEM NUMBERS ARE NOT APPLICABLE

B *E* *I* *N* *G* **707**
Intercontinental 
PARTS CATALOG

SECTION 10
MISCELLANEOUS

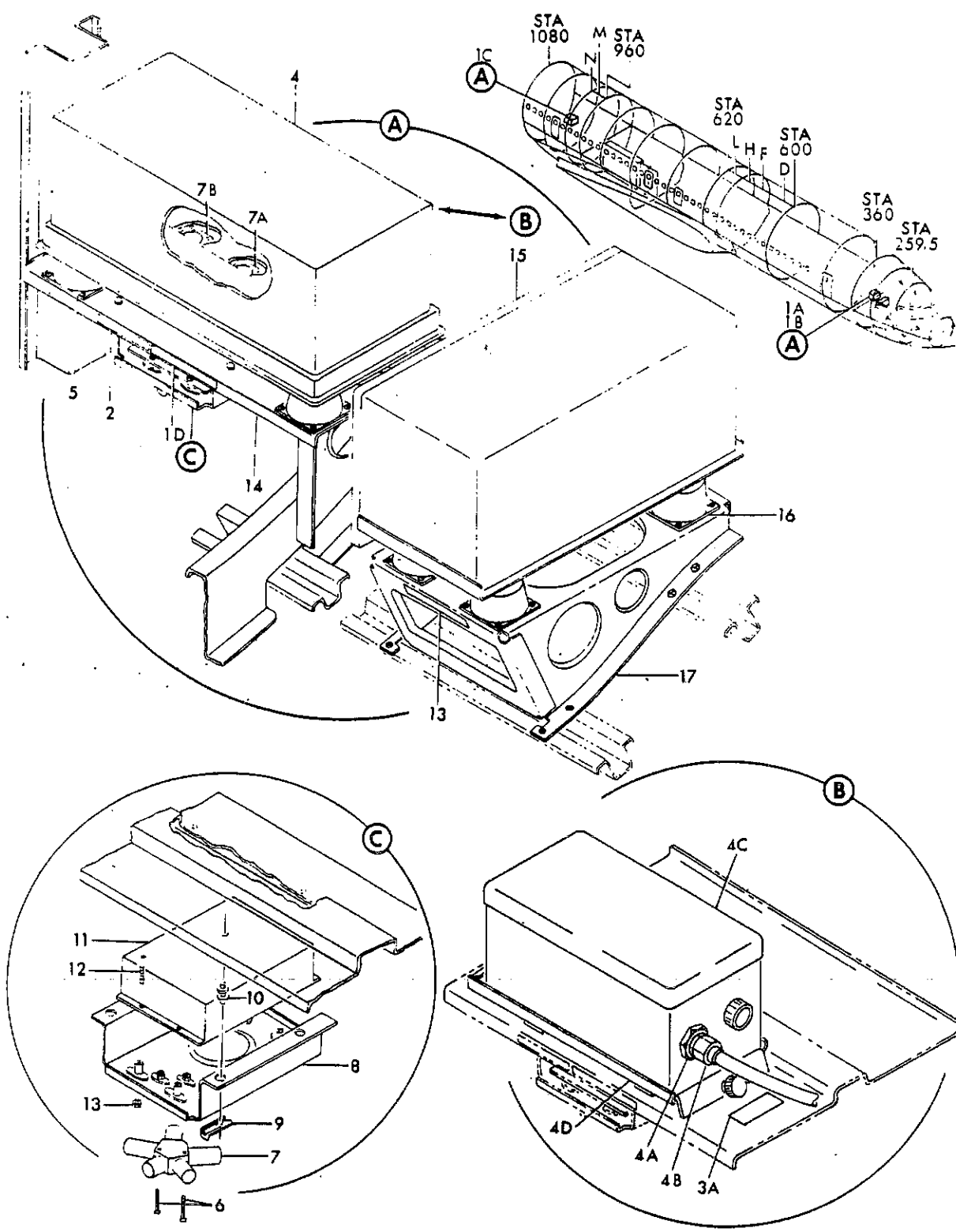


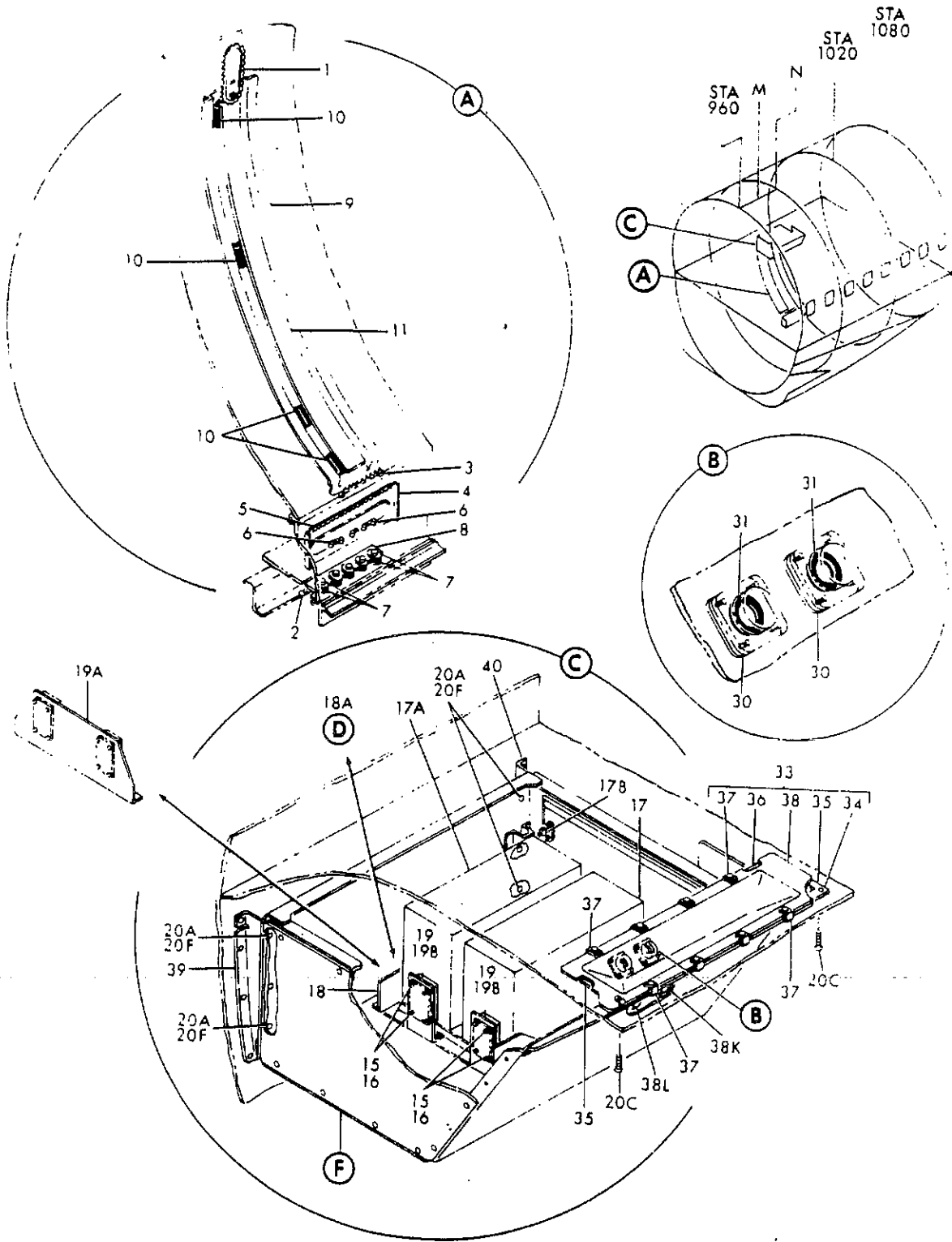
FIGURE 2. UNITS INSTL. TERRAIN WARNING AND RADIO ALTIMETER



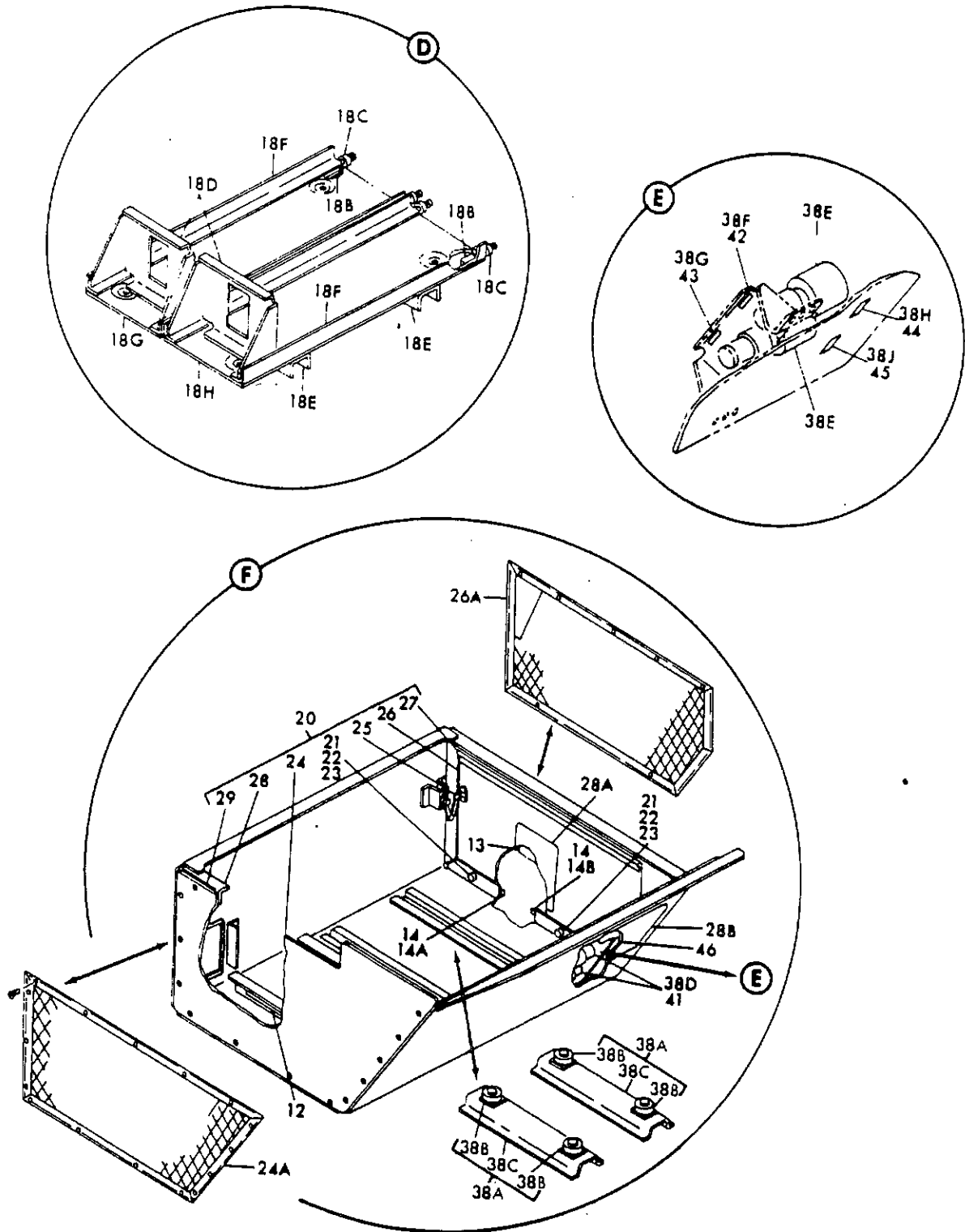
PARTS CATALOG

FIGURE & ITEM NO.	MANUFACTURER'S PART NUMBER	NOMENCLATURE							EFF FROM TO	UNITS PER ASSY	
		1	2	3	4	5	6	7			
R R R R R R R R R R R R R R	2 1B	65-16031	UNITS INSTL, TERRAIN WARNING AND RADIO ALTIMETER (SEE 0150							RF	
			24-3, FIG. 6A, ITEM 32, 24-3, FIG. 6B, ITEM 25,								
			24-3, FIG. 6C, ITEM 24, 24-3, FIG. 6D, ITEM 28 AND								
			24-3, FIG. 6E, ITEM 35)								
		2	BACM10R30-118D	. MARKER, RADIO ALTIMETER ALUMINUM FOIL 0150							1
		4	MI23620	. R/T UNIT, RADIO ALTIMETER (V59495) (CUSTOMER 0150							1
				FURNISHED)							
				(OPTIONAL MI23620-3 (V59495) (CUSTOMER							
				FURNISHED))							
		4	MI23620-3	. R/T UNIT, RADIO ALTIMETER (V59495) (CUSTOMER 0150							1
				FURNISHED)							
				(OPTIONAL TO MI23620 (V59495) (CUSTOMER							
				FURNISHED))							
		5	MI19645-3	. TRAY, SHOCKMOUNT (V59495) (CUSTOMER FURNISHED) 0150							1
			(OPTIONAL MI19645-2 (V59495) (CUSTOMER								
			FURNISHED))								
	5	MI19645-2	. TRAY, SHOCKMOUNT (V59495) (CUSTOMER FURNISHED) 0150							1	
			(OPTIONAL TO MI19645-3 (V59495) (CUSTOMER								
			FURNISHED))								
			ATTACHING PARTS								
		NAS602-7P	. SCREW 0150							16	
		BACN10JCO8	. NUT 0150							16	
			-----*								
	14	69-9629-1	. TRAY, RADIO ALTIMETER UNIT SUPPORT. 0150							1	
			ATTACHING PARTS								
		NAS514P1032-5	. SCREW 0150							4	
		BACN10JJC3	. NUT 0150							4	
			-----*								

MISSING ITEM NUMBERS ARE NOT APPLICABLE



RACEWAY INSTL, LOW RANGE RADIO ALTIMETER COAXIAL CABLES
 RACK INSTL, LOW RANGE RADIO ALTIMETER UNIT
 FIGURE 2A. BRACKET INSTL, LOW RANGE RADIO ALTIMETER UNIT (SHEET 1)



RACEWAY INSTL, LOW RANGE RADIO ALTIMETER COAXIAL CABLES
 RACK INSTL, LOW RANGE RADIO ALTIMETER UNIT
 FIGURE 2A. BRACKET INSTL, LOW RANGE RADIO ALTIMETER UNIT (SHEET 2)

NOV 21/90

34-10-2A

DETAILED PARTS LIST
 34-10-2A
 PAGE 1



PARTS CATALOG

FIGURE & ITEM NO.	MANUFACTURER'S PART NUMBER	NOMENCLATURE							EFF FROM TO	UNITS PER ASSY
		1	2	3	4	5	6	7		
2A		RACEWAY INSTL, LOW RANGE RADIO ALTIMETER COAXIAL CABLES RACK INSTL, LOW RANGE RADIO ALTIMETER UNIT.								
	65-38591-4	BRACKET INSTL, LOW RANGE RADIO ALTIMETER UNIT RACEWAY INSTL, LOW RANGE RADIO ALTIMETER UNIT CABLES (SEE 24-3, FIG. 7, ITEM 1E)								RF
1	BACG20ZB1375	. . . GROMMET								1
2	BACG20ZA900	. . . GROMMET								1
3	BACG20ZA650	. . . GROMMET								1
4	69-31368-1	. . . COVER ASSY, COAXIAL CABLE PROTECTION.								1
	NAS514P1032-10	ATTACHING PARTS								
	NAS679A3W	. . . SCREW								4
		. . . NUT								4
5	BACG20ZA935	. . . GROMMET								1
6	BACC10DK7	. . . CLAMP								3
	NAS514P1032-6	ATTACHING PARTS								
	NAS43DD3-16	. . . SCREW								3
	NAS679A3W	. . . SPACER.								3
		. . . NUT								3
7	BACS45A2	. . . FITTING								10
	BACS12CB06-8	ATTACHING PARTS								
		. . . SCREW								10
8	69-31368-3	. . . FILLER, COAXIAL CABLE PROTECTION COVER.								1
9	65-38580-6	. . . RACEWAY ASSY, LOW RANGE RADIO ALTIMETER COAXIAL . . . CABLES								1
	BACS12N10-8	ATTACHING PARTS								
	BACN10FX5D	. . . SCREW ASSY.								12
		. . . NUT								12
10	65-38580-3	. . . PAD, LOW RANGE RADIO ALTIMETER COAXIAL CABLES . . . RACEWAY CLAMPING								4
11	65-38591-5	. . . STRIP, LOW RANGE RADIO ALTIMETER COAXIAL CABLES . . . RACEWAY CLAMPING								1
	65-36741-3	. . . RACK INSTL, LOW RANGE RADIO ALTIMETER UNIT.							0150	RF
	65-36741-13	. . . RACK INSTL, LOW RANGE RADIO ALTIMETER UNIT (VARIABLE DWG;65-36741-3006) (NAVIGATION ONLY) (SEE 24-3, FIG. 7, ITEM 1D)							5199	RF
12	BAC27CEE2207	. . . PLACARD, CONNECTOR IDENTIFICATION							0150	1
12	66-21494-3	. . . PLACARD, CONNECTOR IDENTIFICATION							5199	1
		(OPTIONAL TO BAC27CEE2209)								
12	BAC27CEE2209	. . . PLACARD, CONNECTOR IDENTIFICATION							5199	1
		(OPTIONAL 66-21494-3)								
14	BACM9L9CFZ	. . . SCOTCH-CAL, LETTERS AND NUMERALS.							0150	2
14A	BAC27CEE666	. . . SCOTCH-CAL, M4024							5199	1
14B	BAC27CEE667	. . . SCOTCH-CAL, M4025							5199	1
17	51914-2	. . . RECEIVER/TRANSMITTER UNIT, (V92755) (CUSTOMER . . . FURNISHED)							0150	1
		(OPTIONAL 51788-1 (V92755))								
		(DELETED BY RAF MOD 7211.019-200)								
17	51788-1	. . . RECEIVER/TRANSMITTER UNIT, (V92755) (CUSTOMER . . . FURNISHED)							0150	1
		(OPTIONAL TO 51914-2 (V92755))								
		(DELETED BY RAF MOD 7211.019-200)								
17	622-3890-004	. . . RECEIVER/TRANSMITTER UNIT (V13499) (CUSTOMER. FURNISHED) (ADDED BY RAF MOD 7211.019-200)							0150	1
17	522-3698-002	. . . RECEIVER/TRANSMITTER UNIT, (V13499) (CUSTOMER . . . FURNISHED)							5299	1
		(OPTIONAL 522-3698-004 (V13499))								
17	522-3698-004	. . . RECEIVER/TRANSMITTER UNIT, (V13499) (CUSTOMER . . . FURNISHED)							5299	1
		(OPTIONAL TO 522-3698-002 (V13499))								
17A	522-3698-002	. . . RECEIVER/TRANSMITTER UNIT, (V13499) (CUSTOMER . . . FURNISHED)							5199	1
		(OPTIONAL 522-3698-004 (V13499))								
17A	522-3698-004	. . . RECEIVER/TRANSMITTER UNIT, (V13499) (CUSTOMER . . . FURNISHED)							5199	1
		(OPTIONAL TO 522-3698-002 (V13499))								
17A	51914-2	. . . RECEIVER/TRANSMITTER UNIT, (V92755) (CUSTOMER . . . FURNISHED)							0150	1
		(OPTIONAL 51788-1 (V92755))								
		(DELETED BY RAF MOD 7211.019-200)								

MISSING ITEM NUMBERS ARE NOT APPLICABLE



PARTS CATALOG

FIGURE & ITEM NO.	MANUFACTURER'S PART NUMBER	NOMENCLATURE	EFF FROM TO	UNITS PER ASSY	
					1 2 3 4 5 6 7
R R	2A 17A	51788-1	. . RECEIVER/TRANSMITTER UNIT, (V92755) (CUSTOMER FURNISHED) (OPTIONAL TO 51914-2 (V92755)) (DELETED BY RAF MOD 7211.019-200)	0150	1
	17A	522-3890-004	. . RECEIVER/TRANSMITTER UNIT, (V13499) (CUSTOMER FURNISHED) (ADDED BY RAF MOD 7211.019-200)	0150	1
	18	52120	. . TRAY, DUAL SHOCKMOUNT (V92755) (CUSTOMER FURNISHED)	5151	1
	18	52120	. . TRAY, DUAL SHOCKMOUNT (V92755)	0150	1
	18	522-4407-002	. . SHOCKMOUNT, (V13499) (TYPE 790S2) (CUSTOMER FURNISHED)	5299	1
		BACS12CB3-9	ATTACHING PARTS		
		BACN10FX2	. . SCREW		8
			. . NUT		8
	20	65-37647-45	. . RACK ASSY, (NAVIGATION ONLY). ATTACHING PARTS		1
	20A	BACS12CB3-9	. . SCREW		6
	20C	NAS514P1032-12	. . SCREW		2
	20F	BACN10FX1	. . NUT		6
	21	BACS21Y8R	. . STUD.		2
	22	BACW10X4	. . WASHER.		2
	23	BACR11Y3A	. . RECEPTACLE.		2
	24A	65-37647-48	. . COVER ASSY. ATTACHING PARTS		1
		NAS603-8P	. . SCREW		16
		BACN10FX1	. . NUT		16
	25	61216	. . SUPPORT, DOOR (V42689). ATTACHING PARTS		1
		NAS514P440-5	. . SCREW		2
	NAS600-5	. . SCREW		2	
	AN960D4	. . WASHER.		2	
	NAS679A04W	. . NUT		2	
	BACN10NWI	. . NUT		2	
26A	65-37647-49	. . DOOR ASSY ATTACHING PARTS		1	
	NAS514P632-5	. . SCREW		5	
	NAS679A06W	. . NUT		5	
27	MS20257-4-1875	. . HINGE ATTACHING PARTS		1	
	NAS603-7P	. . SCREW		5	
	NAS679A3W	. . NUT		5	
28	65-37647-47	. . RACK ASSY, (NAVIGATION ONLY).		1	
29	BACG20ZA1600	. . GROMMET		1	
33	69-30213-9	. . PAN ASSY, LOW RANGE RADIO ALTIMETER DISCONNECT. MOUNTING		1	
	NAS514P1032-10	ATTACHING PARTS			
	BACS12N10-10	. . SCREW		4	
		. . SCREW ASSY.		4	
34	69-30213-5	. . GASKET, LOW RANGE RADIO ALTIMETER DISCONNECT. MOUNTING PAN		1	
35	69-30213-7	. . GASKET, LOW RANGE RADIO ALTIMETER DISCONNECT. MOUNTING PAN		2	
36	69-30213-8	. . GASKET, LOW RANGE RADIO ALTIMETER DISCONNECT. MOUNTING PAN		1	
37	BACN10FX1	. . NUT		8	
38	69-30213-10	. . PAN, LOW RANGE RADIO ALTIMETER DISCONNECT. MOUNTING		1	
38D	ARINC552	. . BOX, TRIP TRIM (CUSTOMER FURNISHED)	0150	2	
39	69-31169-1	. . BRACKET, LOW RANGE RADIO ALTIMETER SUPPORT.		1	
40	69-31169-2	. . BRACKET, LOW RANGE RADIO ALTIMETER SUPPORT. ATTACHING PARTS		1	
	NAS514P1032-8	. . SCREW		8	
		. . FOR REFERENCE TO OTHER RACK DETAILS, SEE NHA.			

MISSING ITEM NUMBERS ARE NOT APPLICABLE

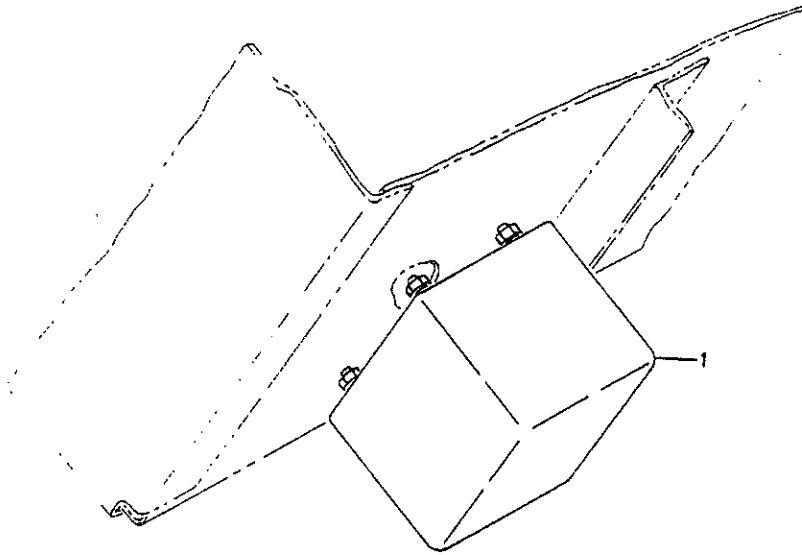
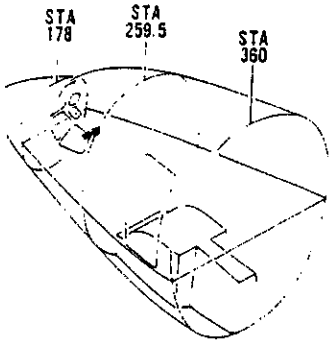


FIGURE 3. SOUNDER INSTL, PILOTS AND COPILOTS NAVIGATION WARNING



PARTS CATALOG

FIGURE & ITEM NO.	MANUFACTURER'S PART NUMBER	NOMENCLATURE							EFF FROM TO	UNITS PER ASSY	
		1	2	3	4	5	6	7			
R R R R R R R R	3	69-17249-1	SOUNDER INSTL, PILOTS NAVIGATION WARNING (SEE 25-1, . . .							0150	RF
			FIG. 1C, ITEM 87, 25-1, FIG. 1D, ITEM 80, 25-1, FIG. 1E, ITEM 78, 25-1, FIG. 1F, ITEM 64, 25-1, FIG. 1H, ITEM 76, 25-1, FIG. 1J, ITEM 73, 25-1, FIG. 2B, ITEM 70, 25-1, FIG. 2C, ITEM 66 AND 25-1, FIG. 2E, ITEM 39)								
	1	G1052A	. SOUNDER, NAVIGATION WARNING (V99837) (CUSTOMER							0150	1
			FURNISHED) (PILOT)								
	BACB30LU2-2	ATTACHING PARTS							0150	4	
	AN960-8L	. BOLT							0150	4	
	BACN10JC08	. WASHER							0150	4	
		. NUT							0150	4	
		-----*									

MISSING ITEM NUMBERS ARE NOT APPLICABLE

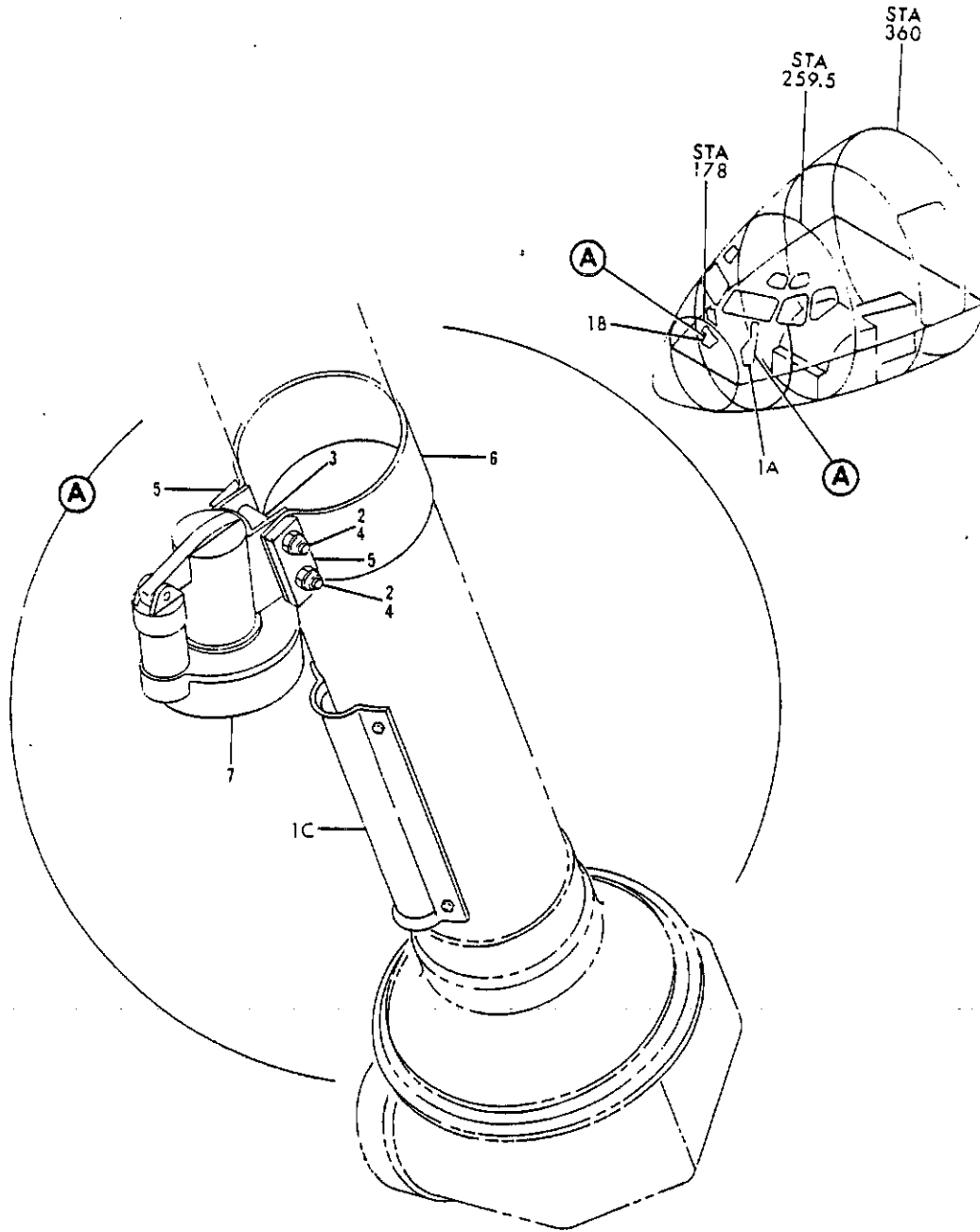


FIGURE 4. SHAKER INSTL, ATTITUDE WARNING SYSTEM COLUMN



PARTS CATALOG

FIGURE & ITEM NO.	MANUFACTURER'S PART NUMBER	NOMENCLATURE							EFF FROM TO	UNITS PER ASSY	
		1	2	3	4	5	6	7			
4	1A	65-14218	SHAKER INSTL, ATTITUDE WARNING SYSTEM COLUMN (PILOT). (SEE 27-1, FIG. 1, ITEM 15A AND 27-1, FIG. 2, ITEM 15A)								RF
	1C	66-11128	. SHIELD, WIRE.								1
		NAS601-3B	ATTACHING PARTS								4
		NAS601-3	. SCREW, (OPTIONAL NAS601-3).								4
		MS35333-37	. SCREW (OPTIONAL TO NAS601-3B)								4
	2	AN3-17A	. WASHER.								2
	3	NAS43DD3-58	-----*								2
	4	NAS679A3W	. BOLT.								2
	5	69-11957-3	. SPACER.								2
	6	69-11957	. NUT								AR
	7	C07202-2	. SHIM, ATTITUDE WARNING SYSTEM SHAKER STRAP.								1
			. STRAP ASSY, ATTITUDE WARNING SYSTEM SHAKER.								1
		. SHAKER, COAXIAL CONTROL (V83326).								1	
		(OPTIONAL 65-14218-1 (ALTERED FROM C07202 (V83326) OR C07202-3 (V83326))									
	7	65-14218-1	. SHAKER, COAXIAL CONTROL (ALTERED FROM C07202. (V83326))								1
			(OPT C07202-2 (V83326) OR C07202-3 (V83326))								
	7	C07202-3	. SHAKER, COAXIAL CONTROL (V83326).								1
			(OPT 65-14218-1 OR C07202-2 (V83326))								

R
R
R
R
R
R
R

MISSING ITEM NUMBERS ARE NOT APPLICABLE

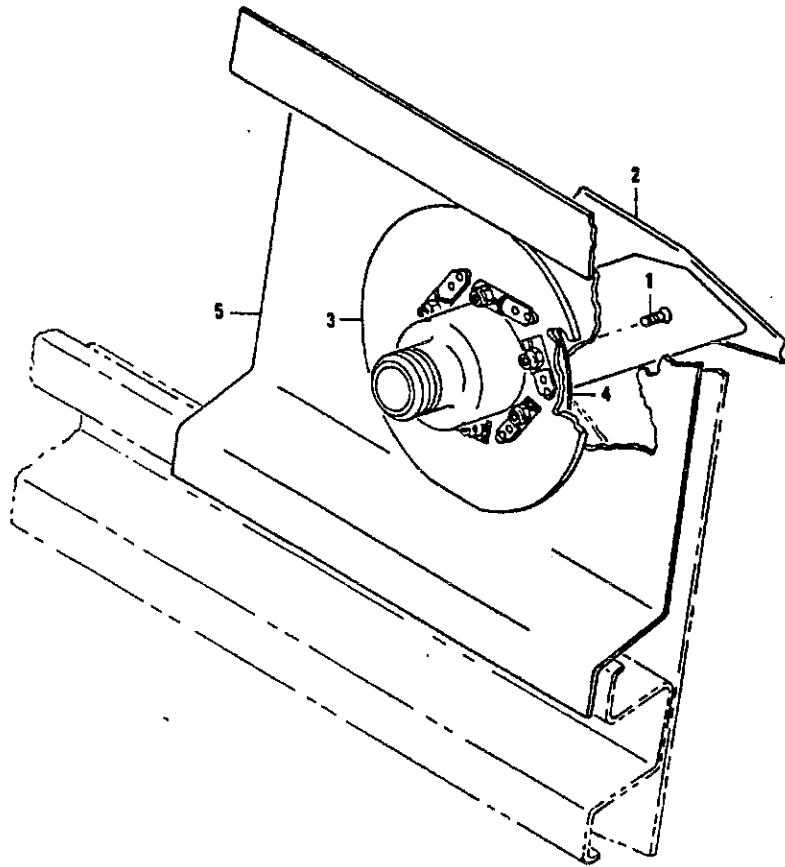
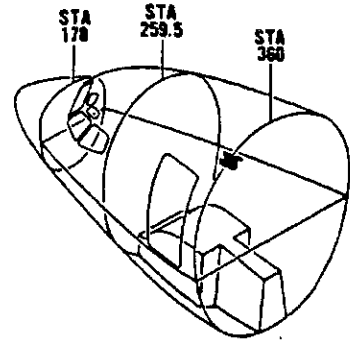


FIGURE 6. PROBE INSTL, TOTAL TEMPERATURE



PARTS CATALOG

FIGURE & ITEM NO.	MANUFACTURER'S PART NUMBER	1 2 3 4 5 6 7	NOMENCLATURE	EFF FROM TO	UNITS PER ASSY
6	65-44091		PROBE INSTL, TOTAL TEMPERATURE (SEE 25-1, FIG. 1, ITEM 142, 25-1, FIG. 1B, ITEM 133, 25-1, FIG. 1C, ITEM 153, 25-1, FIG. 1D, ITEM 142, 25-1, FIG. 1E, ITEM 134, 25-1, FIG. 1F, ITEM 107, 25-1, FIG. 1G, ITEM 125, 25-1, FIG. 1H, ITEM 134, 25-1, FIG. 1K, ITEM 126, 25-1, FIG. 2B, ITEM 138, 25-1, FIG. 2C, ITEM 120, 25-1, FIG. 2D, ITEM 103, 25-1, FIG. 2E, ITEM 70 AND 25-1, FIG. 2J, ITEM 26)		RF
1	NAS517-2-2		. SCREW		6
2	102AH2AG		. PROBE, TOTAL TEMPERATURE DUAL (V04274).		1
3	66-21052		. PLATE ASSY, TOTAL TEMPERATURE PROBE MOUNTING.		1
4	66-13280-1		. GASKET, TOTAL TEMPERATURE PROBE		1
5	66-21051		. BRACKET, TOTAL TEMPERATURE PROBE.		1
MISSING ITEM NUMBERS ARE NOT APPLICABLE					



PARTS CATALOG

FIGURE & ITEM NO.	MANUFACTURER'S PART NUMBER	NOMENCLATURE							EFF FROM TO	UNITS PER ASSY	
		1	2	3	4	5	6	7			
R R R R R R R	16B 27	BAC512BF02C8	.	.	.	SCREW	.	.	.	0150	1
			.	.	.	(OPTIONAL AN505-2R8)	.	.	.		
		27	AN505-2R8	.	.	.	SCREW	.	.	0150	1
				.	.	.	(OPTIONAL TO BAC512BF02C8)	.	.		
		28	CO	.	.	.	CRADLECLIP, (V06229)	.	.	0150	1
		29	BACT12B108	.	.	.	TERMINAL	.	.	0150	1
	29A	30L1-4	.	.	.	LATCH ASSY, (V71286)	.	.	0150	4	
	30	65-51837-3	.	.	.	BOX, ATTITUDE WARNING AND DIMMING BALLAST RJ9	.	.	0150	1	
			.	.	.	SHIELD	.	.			
			.	.	.	FOR REFERENCE TO OTHER EQUIPMENT DETAILS, SEE NHA	.	.	0150		

MISSING ITEM NUMBERS ARE NOT APPLICABLE

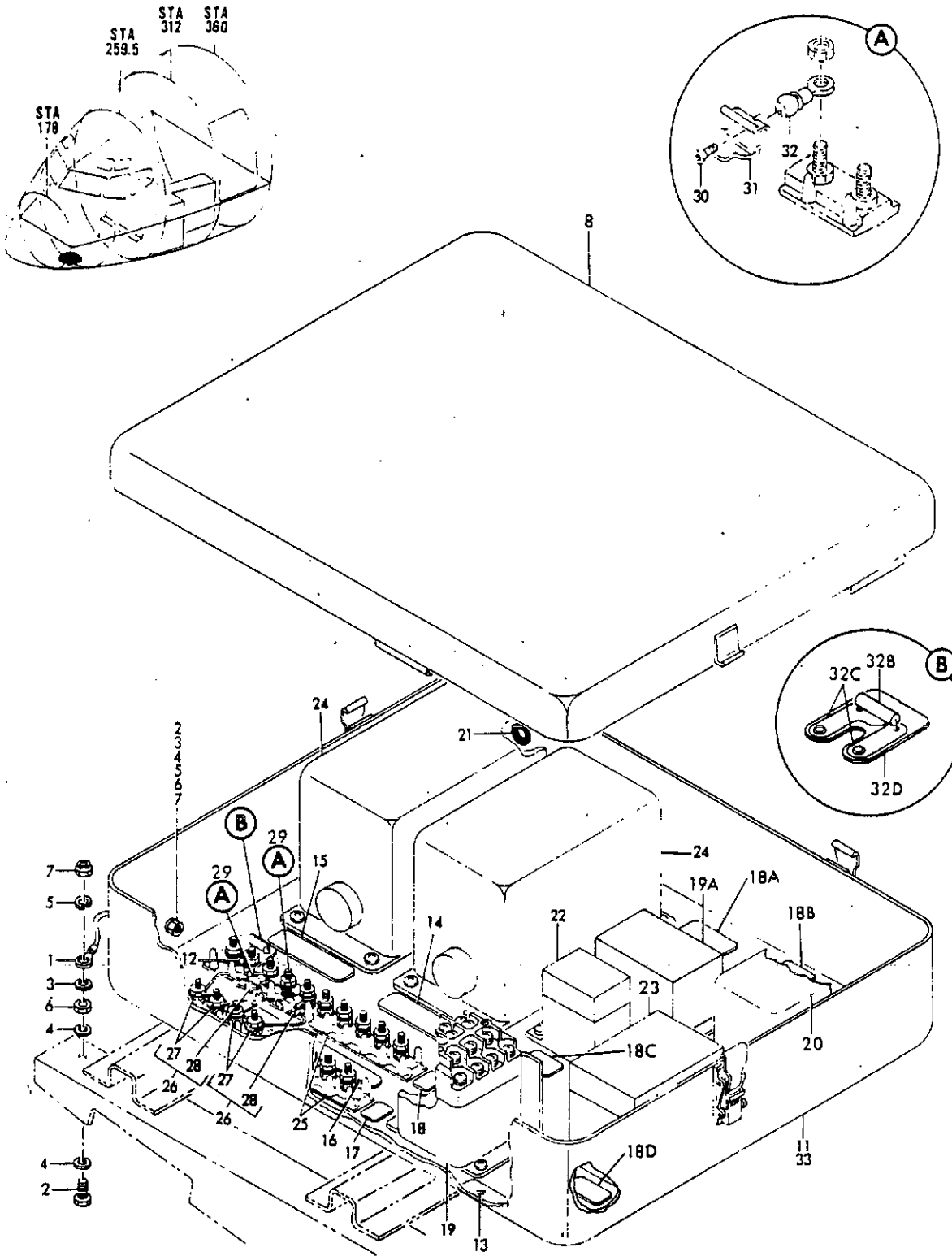


FIGURE 16G. EQUIPMENT INSTL, FUEL FLOW AMPLIFIER AND ATTITUDE WARNING RJ9 ELECTRONIC (NAVIGATION ONLY)



PARTS CATALOG

FIGURE & ITEM NO.	MANUFACTURER'S PART NUMBER	NOMENCLATURE							EFF FROM TO	UNITS PER ASSY
		1	2	3	4	5	6	7		
16G	65-51835-6	EQUIPMENT INSTL, FUEL FLOW AMPLIFIER AND ATTITUDE . . .							5199	RF
		WARNING RJ9 ELECTRONIC (NAVIGATION ONLY) (SEE 24-3, FIG. 5D, ITEM 112)								
1	BACJ40A10-5	. JUMPER ASSY							5199	1
		ATTACHING PARTS								
2	NAS1096-1-11	. SCREW							5199	2
3	AN960-6L	. WASHER							5199	2
4	AN960D6L	. WASHER							5199	4
5	MS35338-3	. WASHER							5199	2
6	MS20341-65	. NUT							5199	2
7	NAS679A06W	. NUT							5199	2
8	65-51837-2	. COVER ASSY, DIMMING BALLAST SHIELD (NAVIGATION ONLY)							5199	1
8	65-51837-4	. COVER, DIMMING BALLAST SHIELD							5199	1
		. REQUIRED PLACARDS, (SEE 11-2, FIG. 186)							5199	
11	65-51837-8	. BOX ASSY, DIMMING BALLAST SHIELD							5199	1
12	MS25226-2-4	. BUS BAR							5199	1
13	BACM9W20-2V	. SCOTCH-CAL, ATTITUDE WARNING OLEO RELAY RR 407							5199	1
14	BACM9W20-2T	. SCOTCH-CAL, ATTITUDE WARNING SIGNAL SUMMING UNIT							5199	1
		RM939								
15	BACM9W20-2U	. SCOTCH-CAL, ATTITUDE WARNING SIGNAL SUMMING UNIT							5199	1
		RM939								
16	BACM10N110-2CRB	. MARKER, 1 THRU 10 ALUMINUM FOIL							5199	1
17	BACM10L00-10GF	. MARKER, A ALUMINUM FOIL							5199	1
18	BACM10L00-10GG	. MARKER, B ALUMINUM FOIL							5199	1
19	10-3092	. RELAY, HERMETICALLY SEALED 4PDT							5199	1
		ATTACHING PARTS								
	BACS12CB08-6	. SCREW							5199	4
	BACN10FX81W	. NUT							5199	4
20	10S1034A	. FILTER, RADIO NOISE (V56289)							5199	1
		ATTACHING PARTS								
	BACS12CB08-6	. SCREW							5199	2
	BACN10FX81W	. NUT							5199	2
21	MS35489-4	. GROMMET							5199	1
22	61-37	. BALLAST, (V82259)							5199	1
23	10-60752-3	. BALLAST							5199	1
24	65-14207-23	. SUMMING UNIT, ATTITUDE WARNING SYSTEM (ALTERED							5199	2
		FROM; C07606 (V83326))								
		ATTACHING PARTS								
	BACS12CB3-6	. SCREW							5199	12
	BACN10FX1W	. NUT							5199	12
25	MS27212-1-10	. TERMINAL BOARD							5199	2
		ATTACHING PARTS								
	NAS600-6P	. SCREW							5199	4
	NAS1068A04L	. NUT							5199	4
26	69-2695-26	. RESISTOR ASSY							5199	2
27	36151	. TERMINAL, (V00779)							5199	2
28	RC32GF621J	. RESISTOR, 620 OHM 1W (V29762)							5199	1
		(OPTIONAL RCR32G621JM (V29762))								
28	RCR32G621JM	. RESISTOR, 620 OHM 1W (V29762)							5199	1
		(OPTIONAL TO RC32GF621J (V29762))								
29	66-13940-1	. CLIP ASSY, RESISTOR MOUNTING							5199	2
30	BACS12BF02CB	. SCREW							5199	1
		(OPTIONAL AN505-2R8)								
30	AN505-2R8	. SCREW							5199	1
		(OPTIONAL TO BACS12BF02CB)								
31	CD	. CRADLECLIP, (V06229)							5199	1
32	BACT12B108	. TERMINAL							5199	1
	65-38292-52	. PLATE ASSY, DIODE RESISTOR CIRCUIT							5199	1
	IN2484	. RECTIFIER, SILICON							5199	1
32B	CE123	. EYELET, (V04264)							5199	2
32C										
32D	65-38292-70	. BOARD							5199	1
33	65-51837-10	. BOX, DIMMING BALLAST RJ9							5199	1
		FOR REFERENCE TO OTHER EQUIPMENT DETAILS, SEE NHA							5199	

MISSING ITEM NUMBERS ARE NOT APPLICABLE

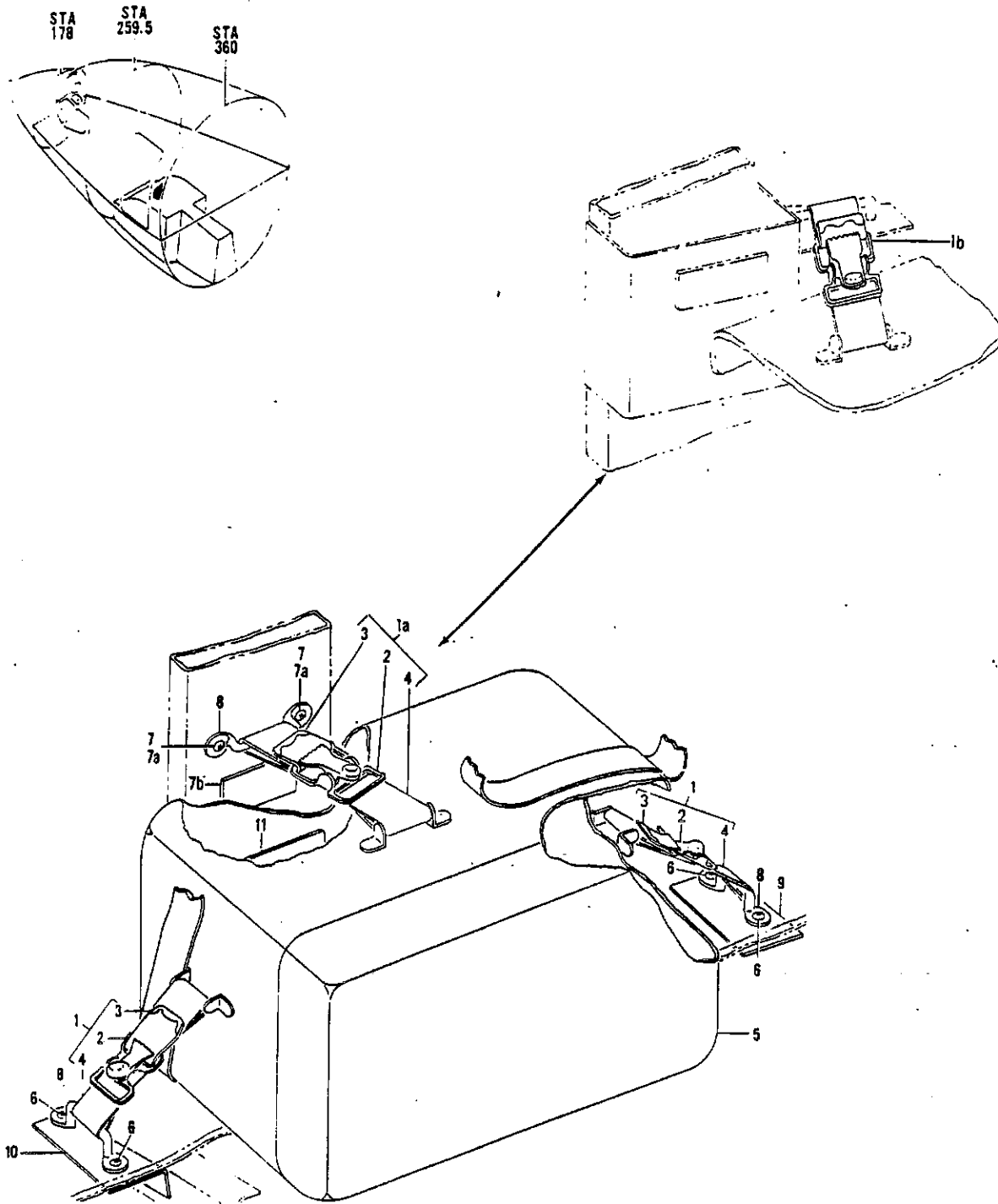


FIGURE 20. STOWAGE INSTL, SEXTANT BOX



PARTS CATALOG

FIGURE & ITEM NO.	MANUFACTURER'S PART NUMBER	NOMENCLATURE							EFF FROM TO	UNITS PER ASSY	
		1	2	3	4	5	6	7			
R R R R R R R R R R R	20	65-2348	STOWAGE INSTL, SEXTANT BOX (SEE 25-1, FIG. 1, ITEM 32, 25-1, FIG. 1B, ITEM 36, 25-1, FIG. 1C, ITEM 39, 25-1, FIG. 1D, ITEM 36, 25-1, FIG. 1E, ITEM 34, 25-1, FIG. 1F, ITEM 31, 25-1, FIG. 1G, ITEM 34, 25-1, FIG. 1J, ITEM 31, 25-1, FIG. 1K, ITEM 32, 25-1, FIG. 2B, ITEM 30, 25-1, FIG. 2C, ITEM 31, 25-1, FIG. 2D, ITEM 27, 25-1, FIG. 2F, ITEM 32, 25-1, FIG. 2G, ITEM 30 AND 25-1, FIG. 2H, ITEM 30)							0150	RF
		65-2348-2	STOWAGE INSTL, SEXTANT BOX (SEE 25-1, FIG. 1B, ITEM 36, 25-1, FIG. 1F, ITEM 31, 25-1, FIG. 2B, ITEM 30, 25-1, FIG. 2D, ITEM 27 AND 25-1, FIG. 2E, ITEM 16)							5199	RF
		1 6-84630	. STRAP ASSY, STOWAGE RACK.								2
		1A 6-84630	. STRAP ASSY, RACK.							0150	1
		1B 6-84630	. STRAP ASSY, RACK.							5199	1
		2 BACB40C5								1
		3 BACT1588								1
		4 6-84630-1								1
		5 A2845000001	. SEXTANT, PERISCOPIC (INCLUDES 1426C940) (V89944). (CUSTOMER FURNISHED)								1
		6 AN510-10R12	. SCREW								4
		7 AN510-10R8	. SCREW								2
	7A NAS679A3W	. NUT								2	
	7B 65-2348-3	. PAD, SEXTANT BOX STOWAGE.								1	
	8 BACL20AB	. LOOP.								3	
	9 63-1451	. PLATE ASSY, SEXTANT STOWAGE DOUBLER.								1	
	10 63-1650	. ANGLE ASSY, SEXTANT STOWAGE ATTACHMENT.							0150	1	
	10 69-48858-1	. ANGLE ASSY, ATTACHMENT.							5199	1	
	11 BACM10S31-13KY	. MARKER, SNUBBER ALUMINUM FOIL								1	

MISSING ITEM NUMBERS ARE NOT APPLICABLE

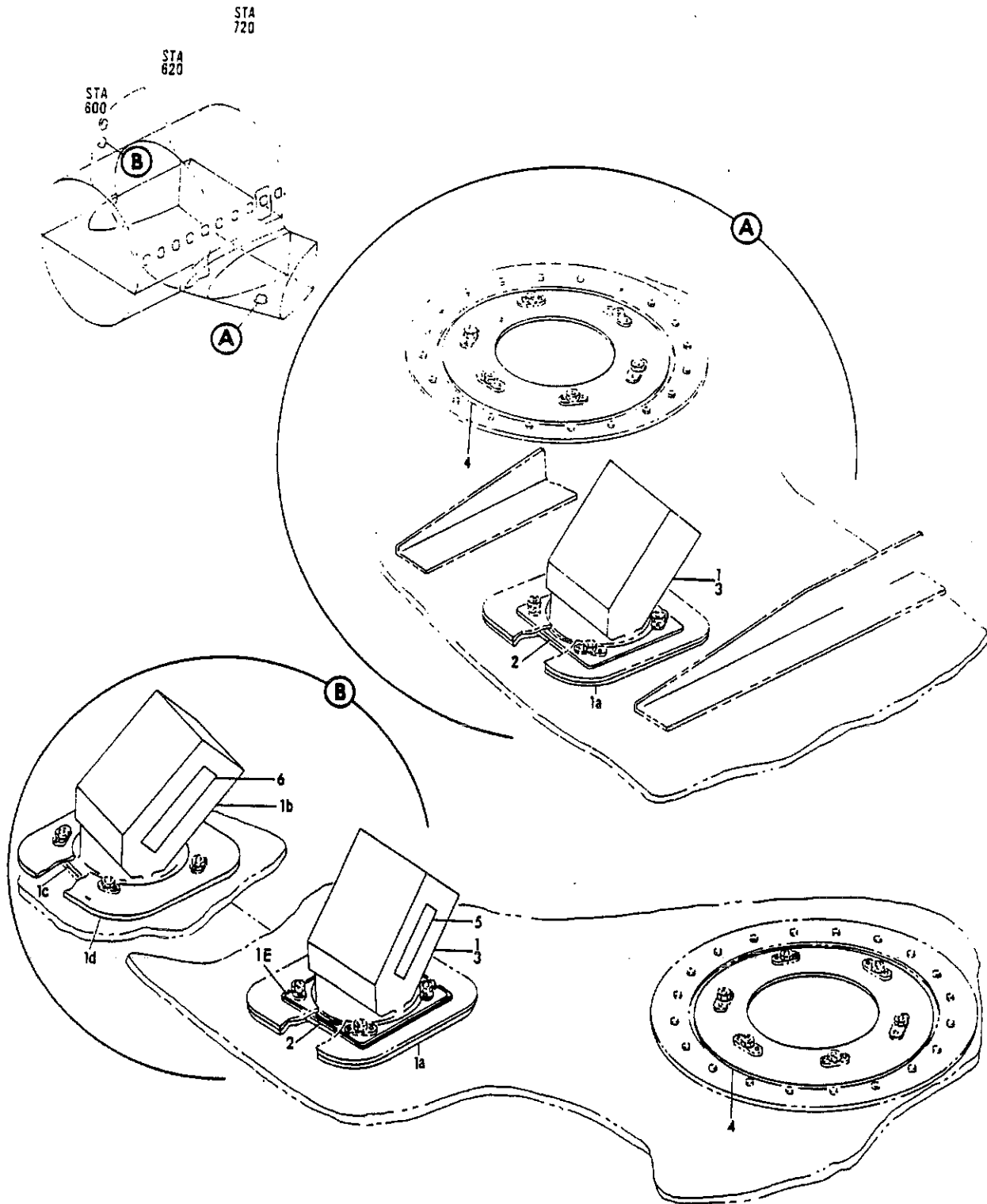


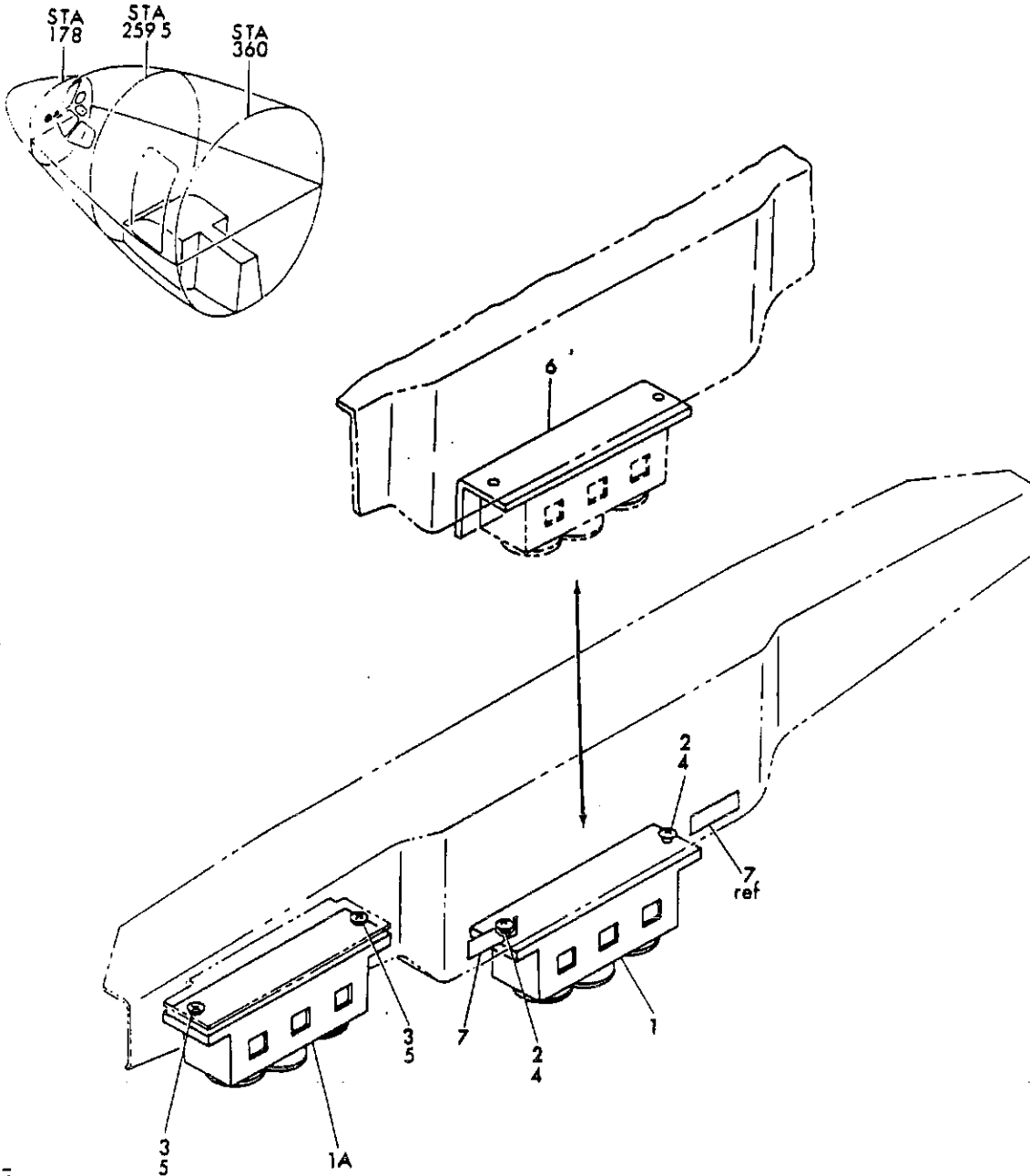
FIGURE 30. PANEL INSTL, FRONT SPAR STATION 108.23 TO 199.71 WING LEADING EDGE (NAVIGATION ONLY)



PARTS CATALOG

FIGURE & ITEM NO.	MANUFACTURER'S PART NUMBER	1 2 3 4 5 6 7	NOMENCLATURE	EFF FROM TO	UNITS PER ASSY
R R R R R R R R	30	65-32519-1	PANEL INSTL, FRONT SPAR STATION 108.23 TO 146.76 WING . LEADING EDGE (LH) (NAVIGATION ONLY) (SEE 57-4, FIG. 8, ITEM 24A)		RF
		65-32519-2	PANEL INSTL, FRONT SPAR STATION 108.23 TO 146.76 WING . LEADING EDGE (RH) (NAVIGATION ONLY) (SEE 57-4, FIG. 8, ITEM 24A)		RF
	1	C07107	. TRANSDUCER, SAFE FLIGHT LIFT (V83326)		1
		NAS517-2-2	. ATTACHING PARTS . SCREW		4
	2	63-10556-1	. SPACER, WING LEADING EDGE		1
		65-32519-3	. PANEL ASSY, STATION 108.23 TO 146.76 (NAVIGATION. . . ONLY) (LH ONLY) (OPTIONAL TO AND REPLACEMENT FOR 65-32519-27)	0151	1
		65-32519-27	. PANEL ASSY, STATION 108.23 TO 146.76 (NAVIGATION. . . ONLY) (LH ONLY) (OPTIONAL AND FOR REPLACEMENT ORDER 65-32519-3)	0151	1
		65-32519-4	. PANEL ASSY, STATION 108.23 TO 146.76 (NAVIGATION. . . ONLY) (RH ONLY) (OPTIONAL AND FOR REPLACEMENT ORDER 65-32519-4)	0151	1
		65-32519-28	. PANEL ASSY, STATION 108.23 TO 146.76 (NAVIGATION. . . ONLY) (RH ONLY) (OPTIONAL AND FOR REPLACEMENT ORDER 65-32519-4)	0151	1
	4	65-1074-33	. DOOR, FRONT SPAR STATION 108.23 TO 199.71 WING. . . LEADING EDGE ACCESS ATTACHING PARTS		1
		NAS517-3-3	. SCREW		6
			. FOR REFERENCE TO OTHER PANEL DETAILS, SEE NHA		

MISSING ITEM NUMBERS ARE NOT APPLICABLE



A 341038 REV 261

FIGURE 38. LIGHTSHIELD INSTL, PILOT AND COPILOT (NAVIGATION ONLY)
 LIGHTSHIELD INSTL, CAPTAIN AND FIRST OFFICER (NAVIGATION ONLY)



PARTS CATALOG

FIGURE & ITEM NO.	MANUFACTURER'S PART NUMBER	1 2 3 4 5 6 7 NOMENCLATURE	EFF FROM TO	UNITS PER ASSY
38	65-8365	LIGHTSHIELD INSTL, PILOT AND COPILOT (NAVIGATION ONLY) (SEE 25-1, FIG. 1K, ITEM 16)	0150	RF
1A	50133-3A	. INDICATOR, ASSIGNED ALTITUDE (ADDED BY RAF MOD. . . . 7211.019-169)	0150	1

MISSING ITEM NUMBERS ARE NOT APPLICABLE

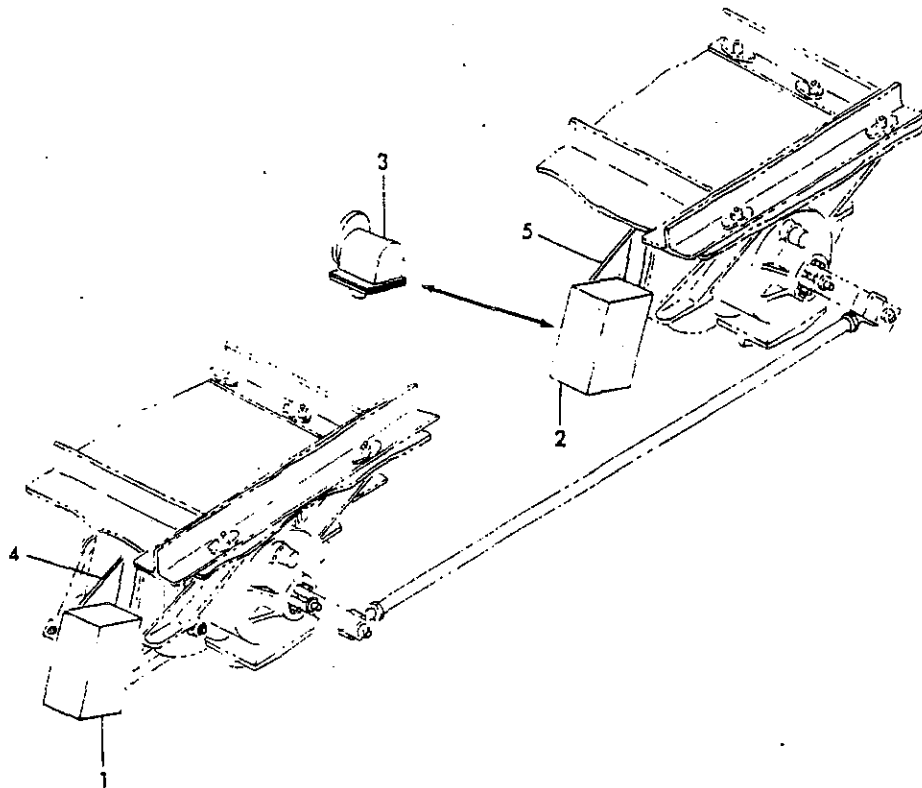
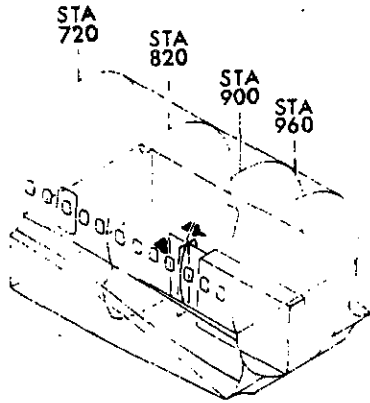


FIGURE 45. BRACKET INSTL. BODY STATION 380 FLAP DRIVE VALVE CONTROL (NAVIGATION ONLY)

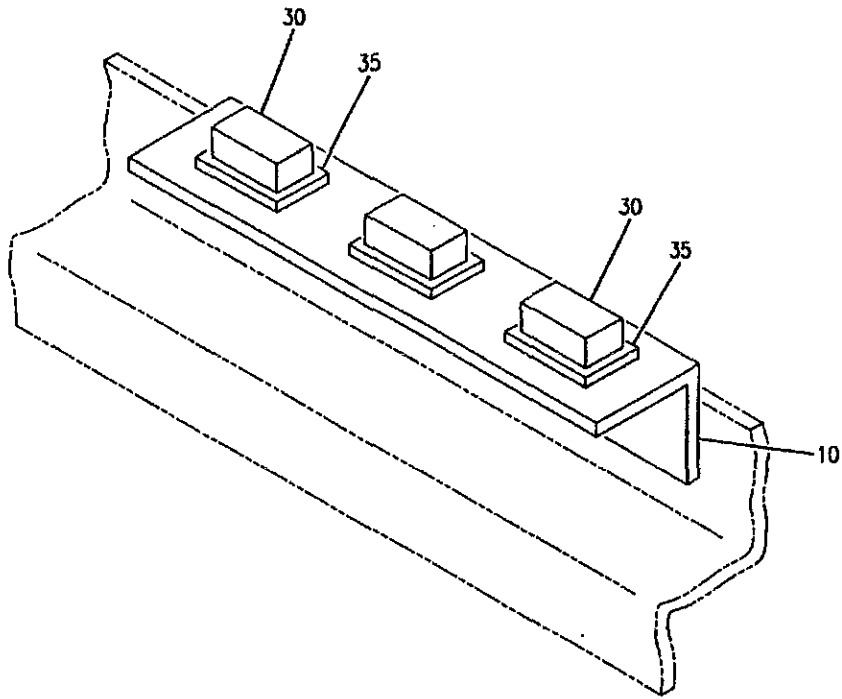
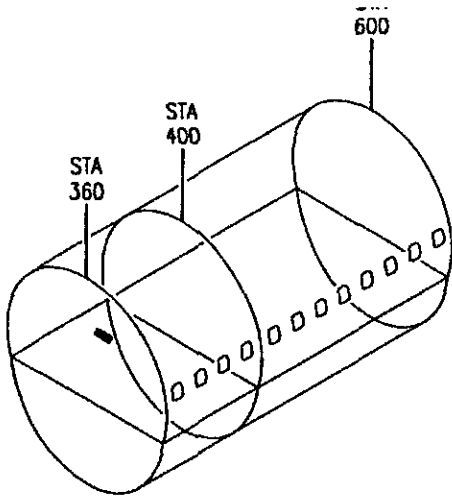


PARTS CATALOG

FIGURE & ITEM NO.	MANUFACTURER'S PART NUMBER	NOMENCLATURE							EFF FROM TO	UNITS PER ASSY
		1	2	3	4	5	6	7		
45	5-97267-3013	BRACKET INSTL, BODY STATION 380 FLAP DRIVE VALVE. . . .								RF
		CONTROL (NAVIGATION ONLY) (SEE 27-7, FIG. 4, ITEM 11 AND 27-7, FIG. 5, ITEM 11)								
1	C07209	. POTENTIOMETER, (V83326)								1
	BACS12BP08B7	. ATTACHING PARTS								
		. SCREW								3
2	C07209	. POTENTIOMETER, (V83326)								1
	BACS12BP08B7	. ATTACHING PARTS								
		. SCREW								3
4	69-11955-1	. BRACKET, POTENTIOMETER.								1
	AN3-5A	. ATTACHING PARTS								
	BACW10T10L	. BOLT.								3
		. WASHER.								3
5	69-11955	. BRACKET, POTENTIOMETER.								1
	AN3-5A	. ATTACHING PARTS								
	BACW10T10L	. BOLT.								3
		. WASHER.								3
		. FOR REFERENCE TO OTHER BRACKET DETAILS, SEE NHA								

MISSING ITEM NUMBERS ARE NOT APPLICABLE

BOEING
707
PARTS CATALOG (MAINTENANCE)



A 3410046A REV 272

NAVIGATION MISCELLANEOUS
FIGURE 46A. RELAY INSTL, IFF/ADC INTERFACE

DETAILED PARTS LIST
34-10-46A
PAGE 0

34-10-46A

NOV 21/01

BOEING

707
PARTS CATALOG (MAINTENANCE)

FIGURE & ITEM NO.	MANUFACTURER'S PART NUMBER	NOMENCLATURE							EFF FROM TO	UNITS PER ASSY	
		1	2	3	4	5	6	7			
R R R R R R R R	46A	RELAY INSTL, IFF/ADC INTERFACE.							0150	RF	
		391-34-50-17020-001	RELAY INSTL, IFF/ADC INTERFACE (VZ0031) (ADDED BY RAF								0150
			MOD 7211.019-4) (SEE 24-03, FIG. 6D, ITEM 135)								
	10	391-34-50-17020-101	. MOUNTING BRACKET (VZ0031)							0150	1
			ATTACHING PARTS								
		NAS1096-3-11	. SCREW							0150	6
		AN960-9	. WASHER.							0150	6
		MS21042-3	. NUT							0150	6
			-----*								
	30	MS27400-17	. RELAY							0150	3
35	M12883-40-17	. BASE.							0150	3	

MISSING ITEM NUMBERS ARE NOT APPLICABLE

RAF
NOV 21/01

34-10-46A

DETAILED PARTS LIST
34-10-46A
PAGE 1

STA
360

STA
259.5

STA
178

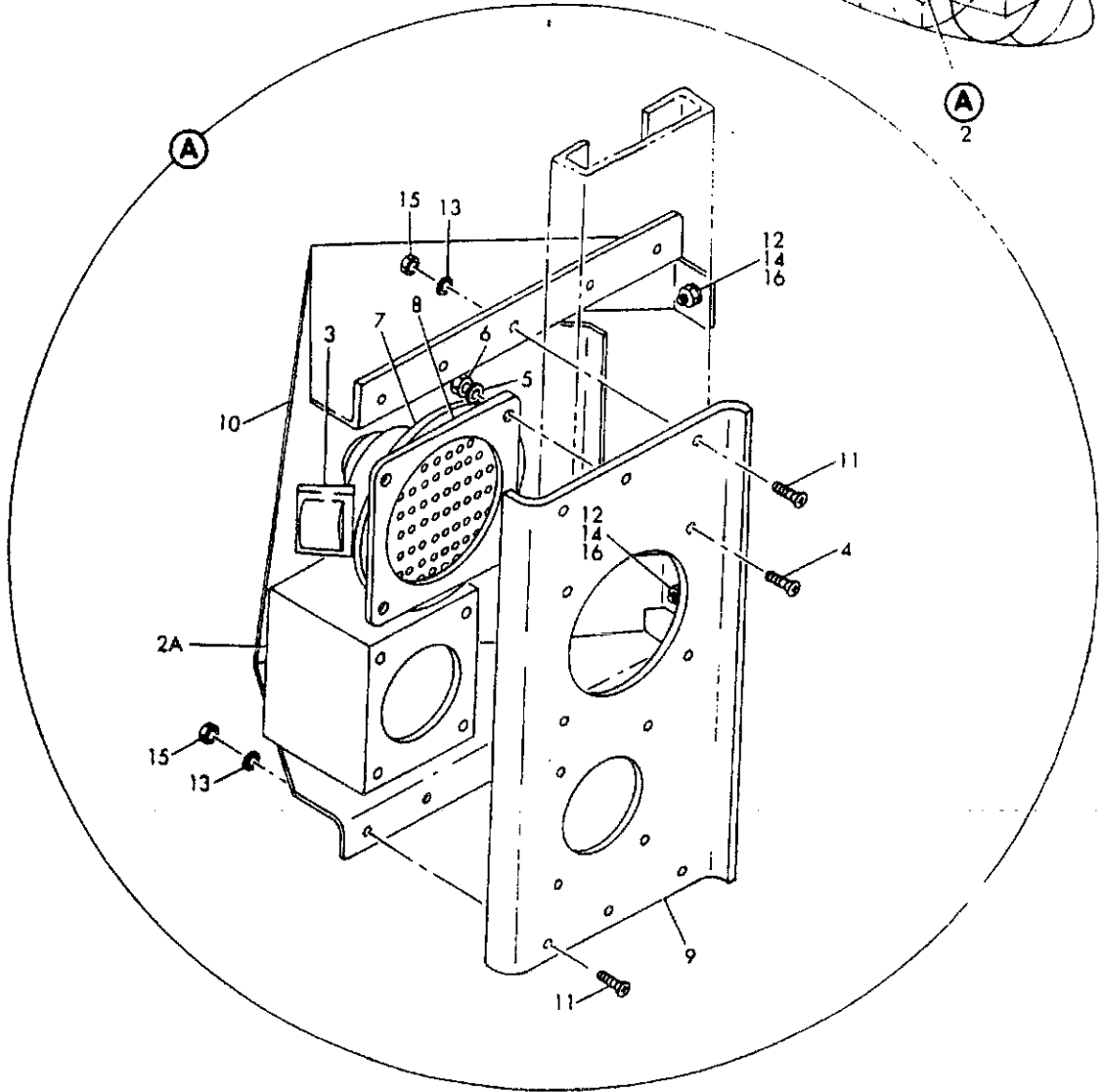
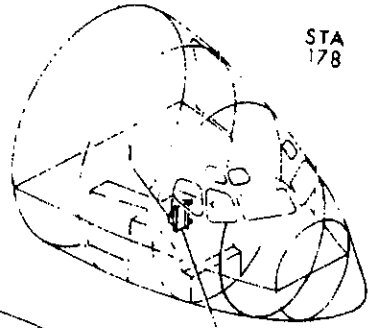


FIGURE 47A. AURAL GENERATOR AND SPEAKER INSTL, ALTITUDE ALERTING



PARTS CATALOG

FIGURE & ITEM NO.	MANUFACTURER'S PART NUMBER	1 2 3 4 5 6 7	NOMENCLATURE	EFF FROM TO	UNITS PER ASSY
47A	65-80178-10		AURAL GENERATOR AND SPEAKER INSTL, ALTITUDE ALERTING. (SEE 25-1, FIG. 2E, ITEM 39A)	5199	RF
2	65-80178-11		. GENERATOR AND SPEAKER ASSY.	5151	1
2	65-80178-14		. GENERATOR AND SPEAKER ASSY.	5299	1
2A	857-1		. GENERATOR, WARNING TONE (V30242).	5199	1
			ATTACHING PARTS		
	BACS12C83-6		. SCREW	5199	4
	AN960D10L		. WASHER.	5199	4
	BACN10JC3		. NUT	5199	4
			-----*		
4	BACS12C83-7		. SCREW	5199	4
5	AN960D10L		. WASHER.	5199	4
6	BACN10JC3		. NUT	5199	4
7	C4CCRF		. SPEAKER, (V80331)	5199	1
			(OPTIONAL TO 4AC3 (V34263))		
7	4AC3		. SPEAKER, (V34263)	5199	1
			(OPTIONAL C4CCRF (V80331))		
8	65-80178-4		. PANEL, SPEAKER.	5199	1
9	69-66325-1		. BRACKET, GROUND PROXIMITY WARNING SYSTEM.	5199	1
10	69-66333-1		. BRACKET, GROUND PROXIMITY WARNING SYSTEM.	5151	1
10	69-66333-2		. BRACKET, GROUND PROXIMITY WARNING SYSTEM.	5299	1
			ATTACHING PARTS		
11	BACS12C83-6		. SCREW	5199	10
12	BACS12C808-6		. SCREW	5199	2
13	AN960D10L		. WASHER.	5199	10
14	AN960D8L		. WASHER.	5199	2
15	BACN10JC3		. NUT	5199	10
16	BACN10JC08		. NUT	5199	2
			-----*		

MISSING ITEM NUMBERS ARE NOT APPLICABLE

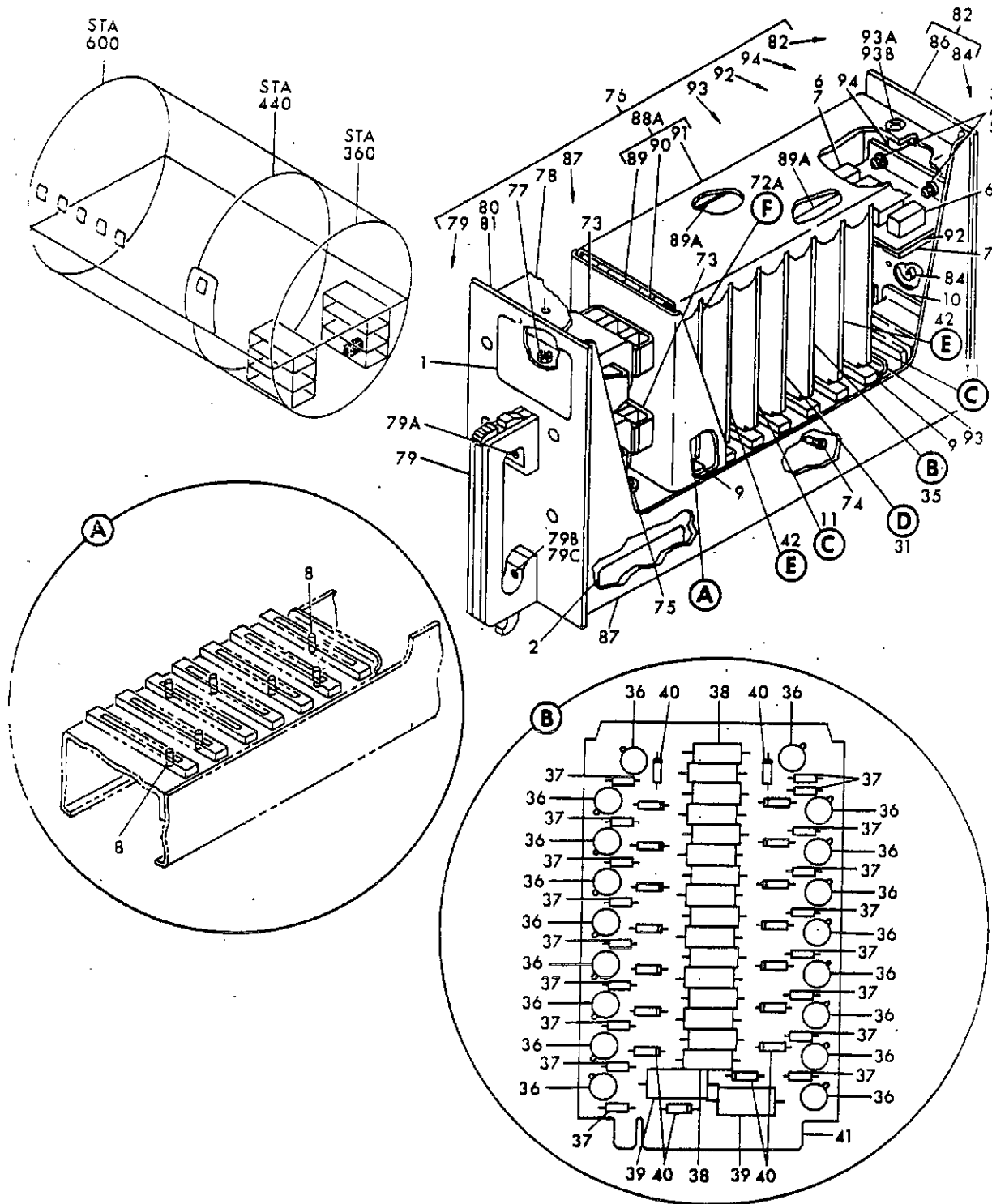


FIGURE 6L. ACCESSORY UNIT ASSY, FLIGHT INSTRUMENT (SHEET I)

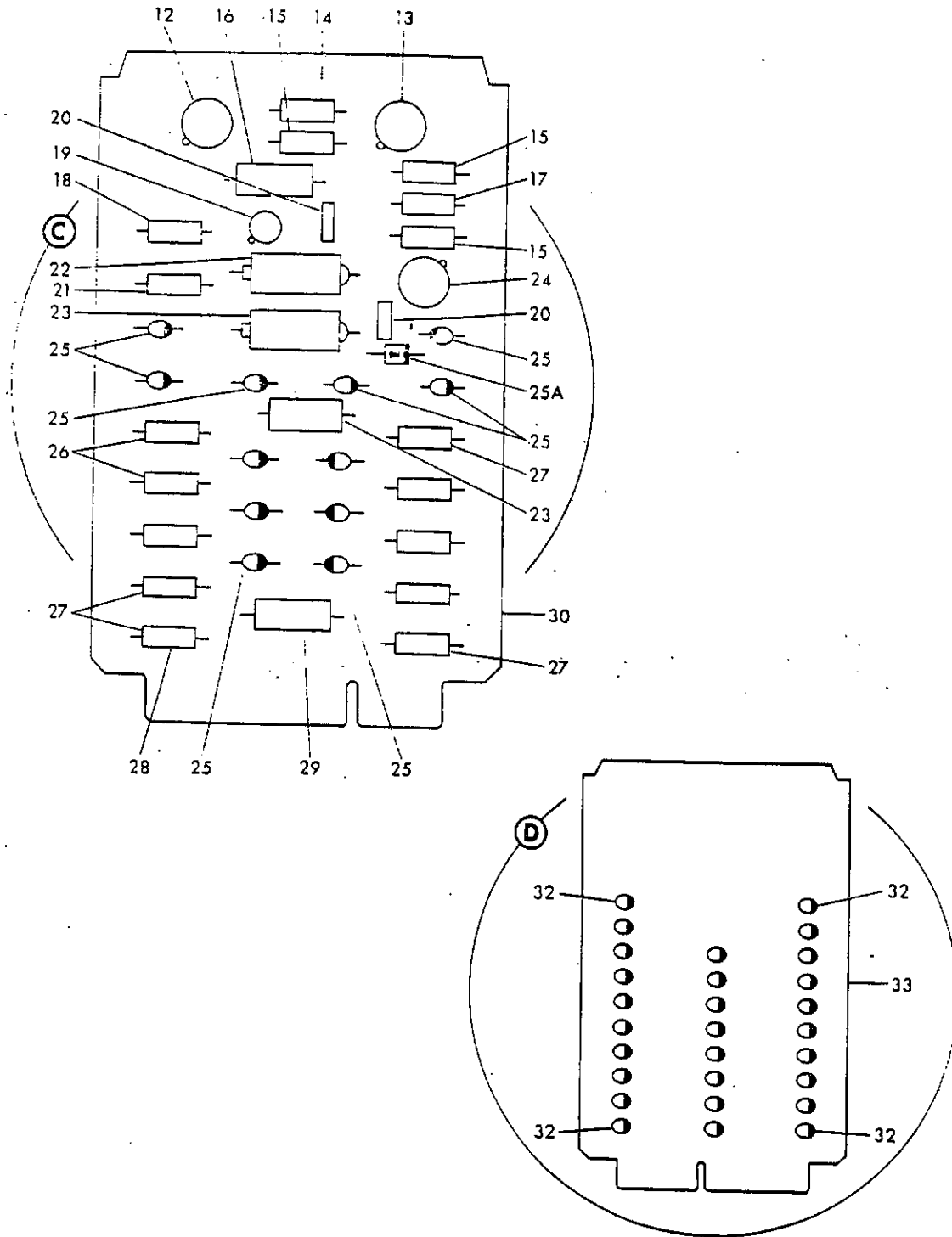


FIGURE 61. ACCESSORY UNIT ASSY, FLIGHT INSTRUMENT (SHEET 2)

NOV 21/90

34-10-61

DETAILED PARTS LIST
34-10-61
PAGE 1

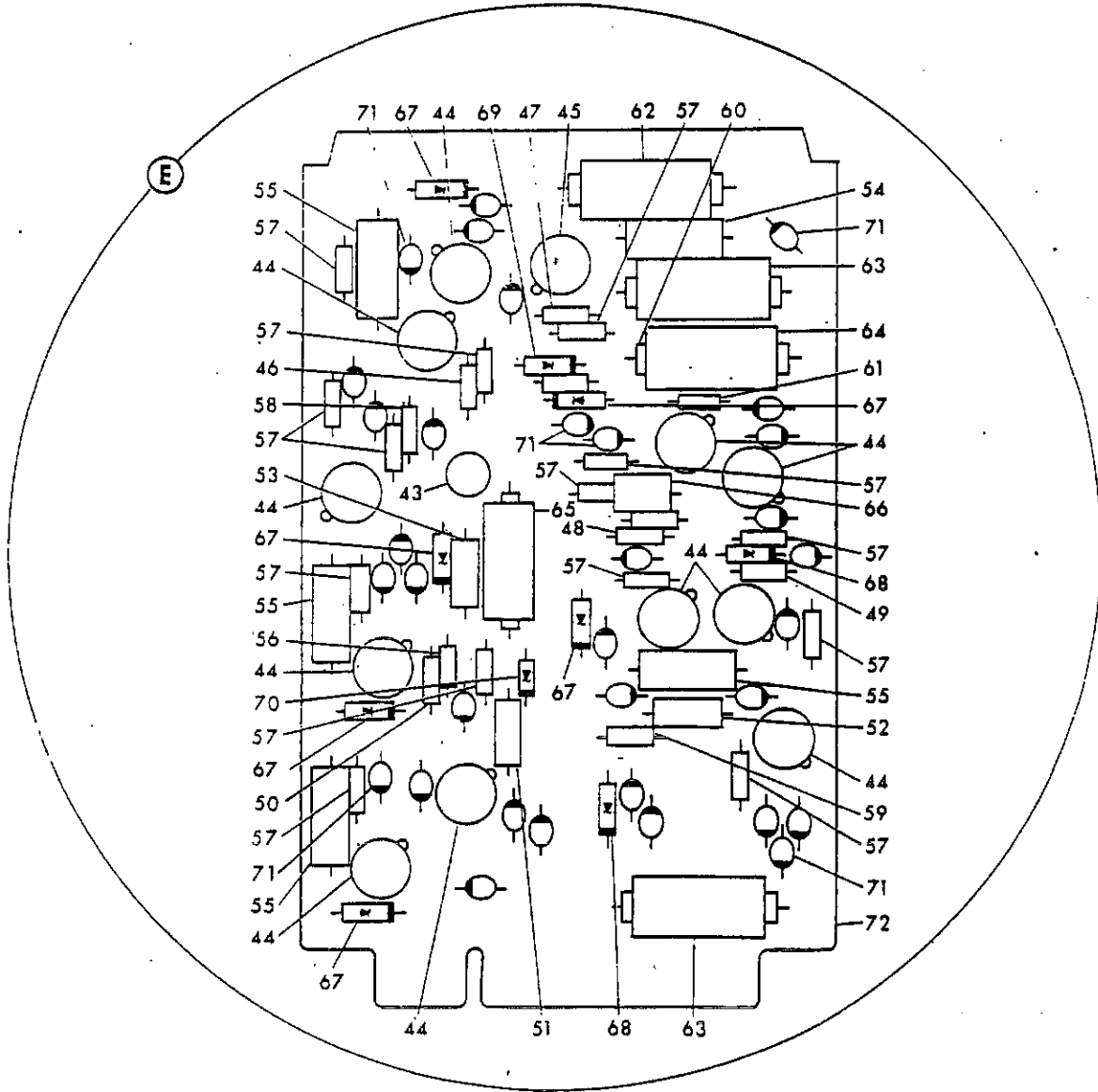


FIGURE 61. ACCESSORY UNIT ASSY, FLIGHT INSTRUMENT (SHEET 3)

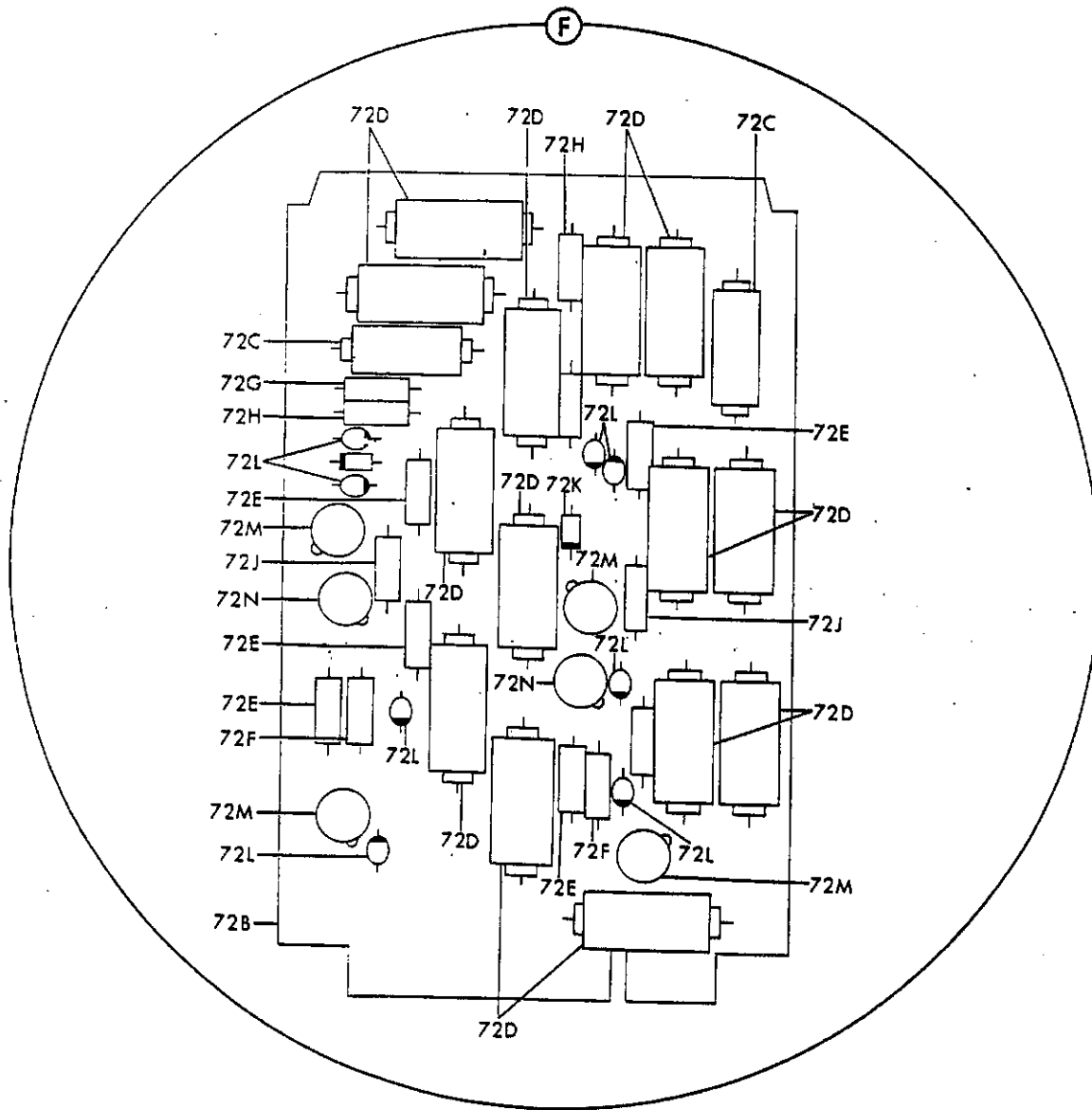


FIGURE 61. ACCESSORY UNIT ASSY, FLIGHT INSTRUMENT (SHEET 4)

NOV 21/90

34-10-61

DETAILED PARTS LIST
 34-10-61
 PAGE 3



PARTS CATALOG

FIGURE & ITEM NO.	MANUFACTURER'S PART NUMBER	NOMENCLATURE							EFF FROM TO	UNITS PER ASSY
		1	2	3	4	5	6	7		
61	65-52805-228	ACCESSORY UNIT ASSY, FLIGHT INSTRUMENT (SEE 34-8, FIG. 36, ITEM 9 AND FIG. 28A, ITEM 13B)							5199	RF
1	BAC27DEX3208	. MARKER-ALUMINUM FOIL, FLIGHT INSTRUMENT ACCESSORY UNIT							5199	1
2	BAC27DEX1216	. MARKER, VINYL							5199	1
3	NAS514P632	. SCREW							5199	2
4	AN960D6L	. WASHER							5199	4
5	BACN10JD6	. NUT							5199	2
6	BACR13CD2	. RELAY							5199	4
7	HRTS17KM	. SOCKET, RELAY (V91663)							5199	4
8	582507-1	. PLUG, KEYING (V00779)							5199	7
9	582589-1	. CONNECTOR, (V00779)							5199	7
	NAS600-9P	ATTACHING PARTS								
	BACN10DN40	. SCREW							5199	14
		. NUT							5199	14
10	ADS2R124P124P8002	. CONNECTOR, (V00779)							5199	1
	NAS514P440-6	ATTACHING PARTS								
	BACN10DN40	. SCREW							5199	6
		. NUT							5199	6
11	69-66423-11	. CIRCUIT ASSY, PRINTED							5199	2
12	2N4036	. TRANSISTOR, (V81349)							5199	1
13	2N3440	. TRANSISTOR, (V81349)							5199	1
14	RLR20C332JM	. RESISTOR							5199	1
15	RLR20C102JM	. RESISTOR							5199	3
16	RLR32C511JM	. RESISTOR							5199	1
17	RLR20C101JM	. RESISTOR							5199	1
18	RLR20C331JM	. RESISTOR							5199	1
19	2N4853	. TRANSISTOR, (V81349)							5199	1
20	M39014-02-1391	. CAPACITOR							5199	2
21	RLR20C824GM	. RESISTOR							5199	1
22	M39003-01-5092	. CAPACITOR							5199	1
23	M39003-01-2372	. CAPACITOR							5199	1
24	2N2328	. RECTIFIER, (V81349)							5199	1
25	IN5061	. DIODE, (V81349)							5199	12
25A	IN4966	. DIODE, (V81349)							5199	1
26	RLR20C222JM	. RESISTOR							5199	2
27	RLR20C103JM	. RESISTOR							5199	7
28	RLR20C133JM	. RESISTOR							5199	1
29	RLR32C102JM	. RESISTOR							5199	1
30	69-66423-12	. BOARD, ETCHED							5199	1
31	69-66423-3	. CIRCUIT ASSY, PRINTED							5199	1
32	IN5061	. DIODE, (V81349)							5199	28
33	69-66423-4	. BOARD, ETCHED							5199	1
35	65-58163-150	. CIRCUIT ASSY, PRINTED							5199	1
36	2N3440	. TRANSISTOR, (V81349)							5199	18
37	RLR07C102JM	. RESISTOR							5199	18
38	RLR32C132JM	. RESISTOR							5199	16
39	RLR42C132JM	. RESISTOR							5199	2
		(OPTIONAL TO FP2-1300RG (V14674) AND M02-1300G (V14674))								
39	M02-1300G	. RESISTOR							5199	2
		(OPTIONAL RLR42C132JM)								
39	FP2-1300RG	. RESISTOR, (V14674)							5199	2
		(OPTIONAL RLR42C132JM)								
40	IN3506	. DIODE							5199	18
41	65-58163-151	. BOARD, ETCHED							5199	1
42	65-58163-152	. CIRCUIT ASSY, PRINTED							5199	2
43	2N3251A	. TRANSISTOR, (V81349)							5199	1
44	2N3440	. TRANSISTOR, (V81349)							5199	11
45	2N4033	. TRANSISTOR, (V81349)							5199	1
46	RLR07C332JM	. RESISTOR							5199	1
47	RLR07C333JM	. RESISTOR							5199	1
48	RLR07C471JM	. RESISTOR							5199	1
49	RLR07C682JM	. RESISTOR							5199	1
50	RLR07C822JM	. RESISTOR							5199	1
51	RLR20C101JM	. RESISTOR							5199	1
52	RLR20C102JM	. RESISTOR							5199	1
53	RLR20C332JM	. RESISTOR							5199	1
54	RLR32C101JM	. RESISTOR							5199	1
55	RLR32C182JM	. RESISTOR							5199	4
56	RLR07C102JM	. RESISTOR							5199	1
57	RLR07C103JM	. RESISTOR							5199	14

MISSING ITEM NUMBERS ARE NOT APPLICABLE

BOEING
Intercontinental
707 
PARTS CATALOG

FIGURE & ITEM NO.	MANUFACTURER'S PART NUMBER	1 2 3 4 5 6 7	NOMENCLATURE	EFF	UNITS	
				FROM TO	PER ASSY	
61	58	RLR07C153JM	RESISTOR.	5199	1	
	59	RLR07C183JM	RESISTOR.	5199	1	
	60	RLR07C243JM	RESISTOR.	5199	1	
	61	RLR07C272JM	RESISTOR.	5199	1	
	62	109D256X9050F2	CAPACITOR, (V56289)	5199	1	
	63	109D476X9050F2	CAPACITOR, (V56289)	5199	2	
	64	M39003-01-2312	CAPACITOR	5199	1	
	65	M39003-01-2418	CAPACITOR	5199	1	
	66	1N3037A	DIODE	5199	1	
	67	1N3506	DIODE	5199	6	
	68	1N3522	DIODE	5199	2	
	69	1N4339A	DIODE, ZENER.	5199	1	
			(OPTIONAL TO 1N4477)			
	69	1N4477	DIODE, ZENER.	5199	1	
			(OPTIONAL 1N4339A)			
	70	1N4748A	DIODE, ZENER.	5199	1	
	71	1N5061	DIODE, (V81349)	5199	32	
	72	65-58163-153	BOARD, ETCHED	5199	1	
	72A	65-58163-160	CIRCUIT ASSY, PRINTED	5199	1	
	72B	65-58163-161	BOARD, ETCHED	5199	1	
	72C	M39003-01-2377	CAPACITOR	5199	2	
	72D	M39003-01-2380	CAPACITOR	5199	14	
	72E	RLR20C103JM	RESISTOR.	5199	6	
	72F	RLR20C152JM	RESISTOR.	5199	2	
	72G	RLR20C203JM	RESISTOR.	5199	2	
	72H	RLR20C204JM	RESISTOR.	5199	2	
	72J	RLR20C512JM	RESISTOR.	5199	2	
	72K	1N4743A	DIODE	5199	2	
	72L	1N5061	DIODE, (V81349)	5199	8	
	72M	2N3440	TRANSISTOR, (V81349)	5199	4	
	72N	2N4036	TRANSISTOR.	5199	2	
	73	6746	TRANSFORMER, (V95266)	5199	2	
			ATTACHING PARTS			
		NAS603-7B	SCREW	5199	4	
		BACN10JC3	NUT	5199	4	
			-----*			
	74	66143-2LP	TERMINAL, (V00779).	5199	AR	
	75	NAS557-6A	GROMMET	5199	1	
	76	65-40514-70	CHASSIS ASSY.	5199	1	
	77	AN500A6-5	NUT	5199	1	
	78	DS232-204	COVER, DUST (V94867).	5199	1	
	79	D4100-1A	LATCH, (V17419)	5199	1	
			(OPTIONAL 40L2-2 (V71286))			
	79	40L2-2	LATCH, (V71286)	5199	1	
			(OPTIONAL TO D4100-1A (V17419))			
		ATTACHING PARTS				
79A	NAS514P1032-6	SCREW	5199	1		
79B	NAS603-6P	SCREW	5199	1		
79C	MS35338-43	WASHER.	5199	1		
		-----*				
80	65-40514-50	PLATE ASSY, FRONT	5199	1		
		ATTACHING PARTS				
	NAS514P440-5B	SCREW	5199	5		
	BACN10DN40	NUT	5199	5		
		-----*				
81	69-31961-1	PLATE, FRONT.	5199	1		
82	65-40514-32	PLATE ASSY, REAR.	5199	1		
		ATTACHING PARTS				
	BACR15BA3D	RIVET	5199	5		
		-----*				
84	S3-150	SPRING, FASTENER (V72794)	5199	1		
		ATTACHING PARTS				
	MS20470D3	RIVET	5199	2		
		-----*				
86	69-31960-2	PLATE, REAR	5199	1		
87	65-40514-5	PLATE, SIDE	5199	1		
88A	65-64993-15	RETAINER ASSY, CIRCUIT CARDS.	5199	1		
		ATTACHING PARTS				
	NAS514P440-5	SCREW	5199	4		
		-----*				
89	MS20257-2-288	HINGE	5199	1		
		ATTACHING PARTS				
	MS20470D4	RIVET	5199	6		
		-----*				

MISSING ITEM NUMBERS ARE NOT APPLICABLE



PARTS CATALOG

FIGURE & ITEM NO.	MANUFACTURER'S PART NUMBER	1 2 3 4 5 6 7	NOMENCLATURE	EFF FROM TO	UNITS PER ASSY
61	89A	65-64993-12	. . . PAD, RUBBER	5199	2
	90	69-52922-6	. . . BRACKET ASSY.	5199	1
	91	69-52922-17	. . . BRACKET	5199	1
	92	69-64304-4	. . . BRACKET ASSY.	5199	1
			ATTACHING PARTS		
		NAS514P632-6	. . . SCREW	5199	2
		BACN10JC06	. . . NUT	5199	2
			-----*		
	93	69-66550-12	. . . SUPPORT, DECK	5199	1
	93A	BACS21Y3R	. . . STUD ASSY	5199	1
	93B	BACW10X4	. . . WASHER.	5199	1
	94	BACR11Y4A	. . . RECEPTACLE.	5199	1
			ATTACHING PARTS		
		BACR15BA3D	. . . RIVET	5199	4
	NAS42DD3-11	. . . SPACER.	5199	4	
		-----*			

MISSING ITEM NUMBERS ARE NOT APPLICABLE