

BOEING

707

PARTS CATALOG (MAINTENANCE)

CHAPTER 56

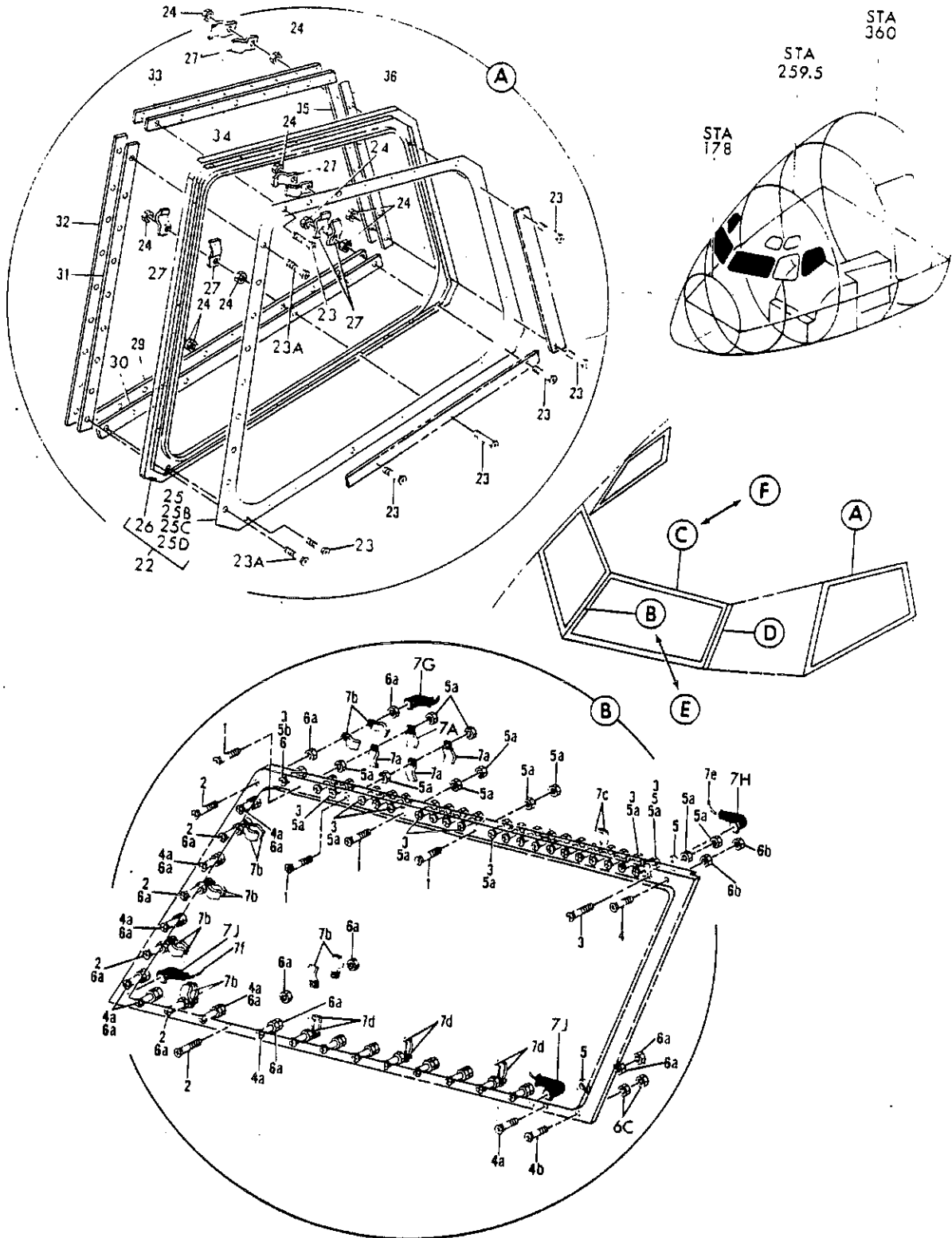
WINDOWS

TABLE OF CONTENTS

SECTION	FIGURE
56-01 WINDSHIELDS AND WINDOWS	
COVER INSTL, AFT ENTRY AND GALLEY DOOR WINDOWS.	10
COVER INSTL, FORWARD ENTRY AND GALLEY DOOR WINDOWS.	10
COVER INSTL, FORWARD GALLEY DOOR WINDOW	10
FRAME INSTL, LINE C TO D WINDSHIELD	1
HANDLE ASSY, SLIDING WINDOW	5
HANDLE ASSY, SLIDING WINDOW	6
HATCH ASSY, EMERGENCY	12
HATCH INSTL, STATION 990.45 EMERGENCY EXIT.	13
MECHANISM INSTL, SLIDING WINDOW EMERGENCY EXIT RELEASE.	7
PLATE INSTL, 9.0 X 12.50 INNER AND OUTER PASSENGER WINDOW	15
SPARES ASSY, NO. 2 SLIDING WINDSHIELD	3
SPARES KIT ASSY, SLIDING WINDSHIELD	4
TRACK INSTL, SLIDING WINDSHIELD	8
WINDOW ASSY, 5 IN. DIAMETER OBSERVATION	9
WINDOW INSTL, PILOT AND COPILOT PANE NO. 4	2
WINDOW INSTL, PILOT AND COPILOT PANE NO. 4	2A
WINDOW INSTL, PILOT AND COPILOT PANE NO. 5	2
WINDOW INSTL, PILOT AND COPILOT PANE NO. 5	2A
WINDOW INSTL, SECTION 43 AND 46 PASSENGER	10A
WINDOW INSTL, SECTION 43 AND 46 PASSENGER	10B
WINDOW INSTL, 9.0 X 12.50 INNER AND OUTER PASSENGER	15
WINDSHIELD INSTL, PILOT AND COPILOT	1
WINDSHIELD INSTL, SLIDING	3
56-02 INSPECTION WINDOWS	
BEAM INSTL, MAIN CARGO DOOR LOWER	7
DOOR ASSY, STATION 302 PARTITION.	8
DOOR ASSY, STATION 400 ELECTRONIC COMPARTMENT	4
DOOR ASSY, STATION 400.	5
DOOR INSTL, STATION 302 PARTITION	8
PANEL INSTL, STATION 312 TO 360 NOSE GEAR WHEEL WELL TOP.	1
VIEWER INSTL, SECTION 46 CARGO COMPARTMENT.	3
WINDOW INSTL, STATION 895.50 PRESSURE WEB	2

BOEING *707* *Intercontinental* 
PARTS CATALOG

SECTION 01
WINDSHIELDS AND WINDOWS



WINDSHIELD INSTL, PILOT AND COPILOT
 FIGURE 1. FRAME INSTL. LINE C TO D WINDSHIELD (SHEET 1)

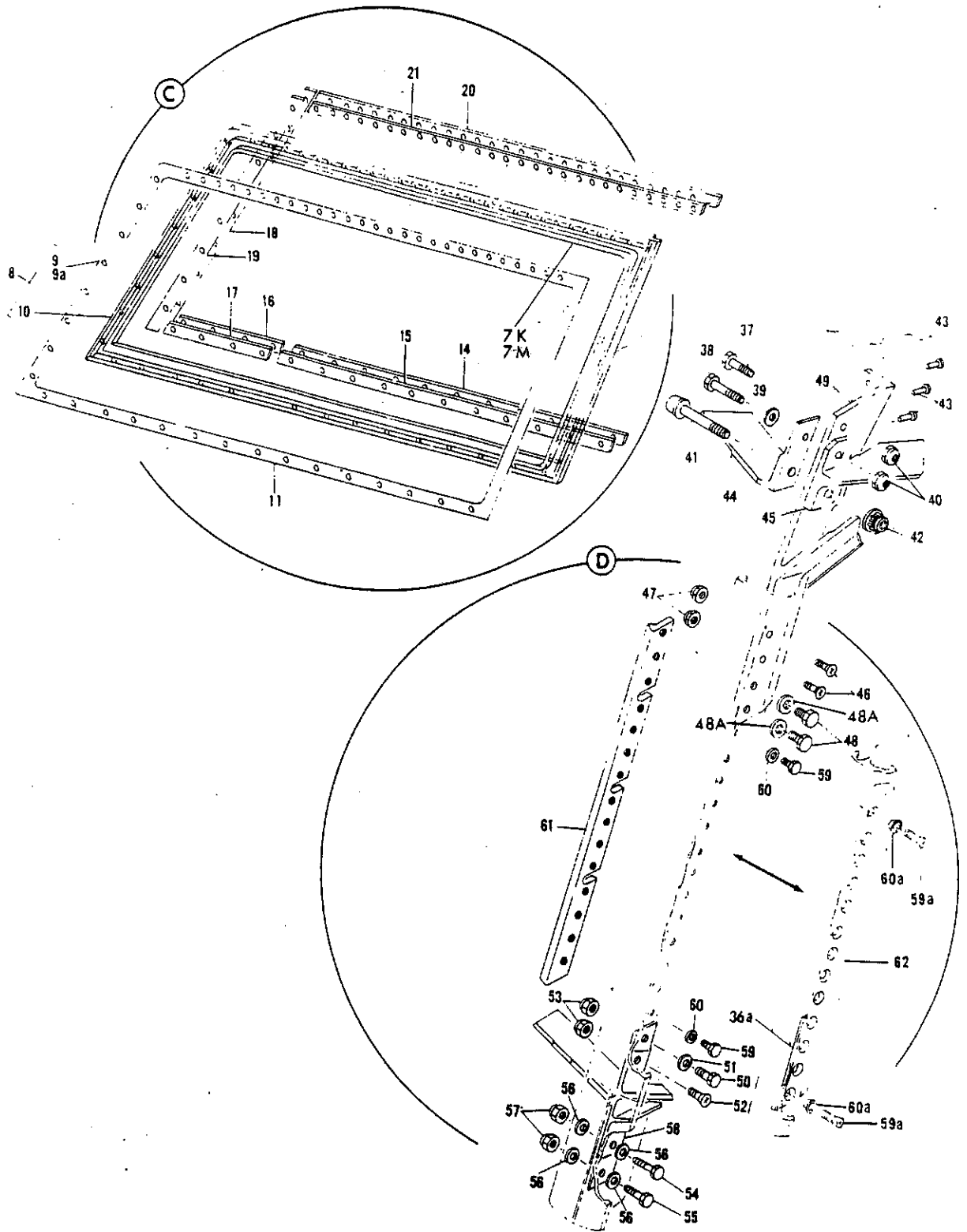


FIGURE 1. WINDSHIELD INSTL. PILOT AND COPILOT (SHEET 2)

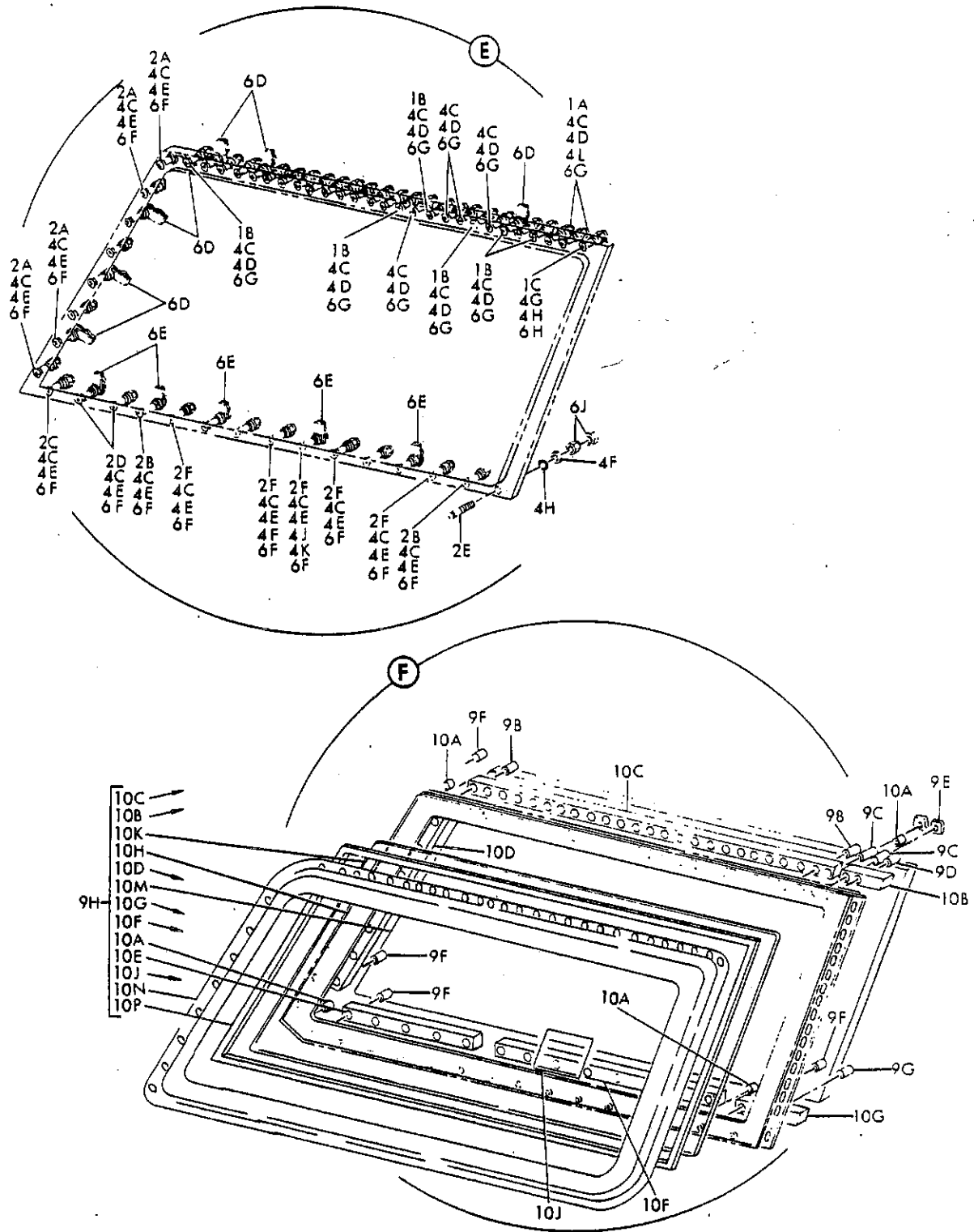


FIGURE 1. WINDSHIELD INSTL, PILOT AND CO-PILOT (SHEET 3)

BOEING **707**
Intercontinental

PARTS CATALOG

FIGURE & ITEM NO.	MANUFACTURER'S PART NUMBER	NOMENCLATURE							EFF FROM TO	UNITS PER ASSY
		1	2	3	4	5	6	7		
1		WINDSHIELD INSTL, PILOT AND COPILOT								
	5-71761-3001	FRAME INSTL, LINE C TO D WINDSHIELD								
	5-71761-35	WINDSHIELD INSTL, PILOT PANE NO. 1 (PILOT) (REWORKED BY SB 3270) (SEE 53-2, FIG. 1, ITEM 1)							0150	RF
	5-71761-45	WINDSHIELD INSTL, PILOT PANE NO. 1 (REWORKED BY SB 3270) (SEE 53-2, FIG. 1, ITEM 1)							5199	RF
	5-71761-3002	WINDSHIELD INSTL, PILOT PANE NO. 1 (SEE 53-2, FIG. 1, ITEM 1)								
	5-71761-36	WINDSHIELD INSTL, COPILOT PANE NO. 1 (COPILOT) (REWORKED BY SB 3270) (SEE 53-2, FIG. 1, ITEM 1A)							0150	RF
	5-71761-46	WINDSHIELD INSTL, COPILOT PANE NO. 1 (SEE 53-2, FIG. 1, ITEM 1A)							5199	RF
1	BACB30BF4K21	BOLT, (DELETED BY SB 3270) (USED ON 5-71761-3001 AND -3002) (OPTIONAL BACB30BF4K19 (DELETED BY SB 3270))								4
1	BACB30BF4K19	BOLT, (DELETED BY SB 3270) (USED ON 5-71761-3001 AND -3002) (OPTIONAL TO BACB30BF4K21 (DELETED BY SB 3270))								4
1A	BACB30BF4K22	BOLT, (DELETED BY SB 3270) (USED ON 5-71761-35 AND -36)							0150	2
1A	BACB30LR4U23	BOLT, (USED ON 5-71761-45 AND -46)							5199	2
1A	BACB30LR4U23	BOLT, (ADDED BY SB 3270)							0150	2
1B	BACB30BF4K19	BOLT, (DELETED BY SB 3270) (USED ON 5-71761-35 AND -36)							0150	20
1B	BACB30LR4U20	BOLT, (USED ON 5-71761-45 AND -46)							5199	20
1B	BACB30LR4U20	BOLT, (ADDED BY SB 3270)							0150	20
1C	BACB30BF4K16	BOLT, (DELETED BY SB 3270) (USED ON 5-71761-35 AND -36)							0150	1
1C	BACB30LR4U17	BOLT, (USED ON 5-71761-45 AND -46)							5199	1
1C	BACB30LR4U17	BOLT, (ADDED BY SB 3270)							0150	1
2A	BACB30BF3K19	BOLT, (DELETED BY SB 3270) (USED ON 5-71761-35 AND -36)							0150	8
2A	BACB30LH3U20	BOLT, (USED ON 5-71761-45 AND -46)							5199	8
2A	BACB30LH3U20	BOLT, (ADDED BY SB 3270)							0150	8
2B	BACB30BF3K19	BOLT, (DELETED BY SB 3270) (USED ON 5-71761-35 AND -36)							0150	2
2B	BACB30LH3U24	BOLT, (USED ON 5-71761-45 AND -46)							5199	2
2B	BACB30LH3U20	BOLT, (ADDED BY SB 3270)							0150	2
2C	BACB30BF3K21	BOLT, (DELETED BY SB 3270) (USED ON 5-71761-35 AND -36)							0150	1
2C	BACB30LH3U22	BOLT, (USED ON 5-71761-45 AND -46)							5199	1
2C	BACB30LH3U22	BOLT, (ADDED BY SB 3270)							0150	1
2D	BACB30BF3K21	BOLT, (DELETED BY SB 3270) (USED ON 5-71761-35 AND -36)							0150	2
2D	BACB30LH3U24	BOLT, (USED ON 5-71761-45 AND -46)							5199	2
2D	BACB30LH3U22	BOLT, (ADDED BY SB 3270)							0150	2
2E	BACB30BF3K16	BOLT, (DELETED BY SB 3270) (USED ON 5-71761-35 AND -36)							0150	1
2E	BACB30LH3U17	BOLT, (ADDED BY SB 3270)							0150	1
2F	BACB30LH3U24	BOLT, (USED ON 5-71761-45 AND -46)							5199	9
2F	BACB30BF3K19	BOLT, (DELETED BY SB 3270) (USED ON 5-71761-35 AND -36)							0150	9
2F	BACB30LH3U20	BOLT, (ADDED BY SB 3270)							0150	9
2G	BACB30LR4U21	BOLT, (ADDED BY SB 3270)							0150	4
3	BACB30BF4K20	BOLT, (DELETED BY SB 3270) (USED ON 5-71761-3001 AND -3002) (OPTIONAL BACB30BF4K18 (DELETED BY SB 3270))								22
3	BACB30BF4K18	BOLT, (DELETED BY SB 3270) (USED ON 5-71761-3001 AND -3002) (OPTIONAL TO BACB30BF4K20 (DELETED BY SB 3270))								22
4	BACB30BF4K17	BOLT, (DELETED BY SB 3270) (USED ON 5-71761-3001 AND -3002)								1
4B	BACB30BF3K17	BOLT, (DELETED BY SB 3270) (USED ON 5-71761-3001 AND -3002)								1
	5-71761-37	KIT ASSY, O-RING (USED ON 5-71761-35, -36, -45 AND -46)								1
	5-71761-37	KIT ASSY, O-RING (ADDED BY SB 3270)								1
4C	5-211E600-7	O-RING, (V83259) (OPTIONAL 1-00101 (V17991))								48
4C	5-211E603-70	O-RING, (V83259) (OPTIONAL 1-00101 (V17991))								48

MISSING ITEM NUMBERS ARE NOT APPLICABLE



PARTS CATALOG

FIGURE & ITEM NO.	MANUFACTURER'S PART NUMBER	1	2	3	4	5	6	7	NOMENCLATURE	EFF FROM TO	UNITS PER ASSY
R 1	9	5-89354-3040	.	.	.	SEAL, (USED ON 5-89350-3036, -3076)				5199	1
	9	5-89354-3073	.	.	.	SEAL, (USED ON 5-89354-29)				0103	1
	9	5-89354-3074	.	.	.	SEAL, (USED ON 5-89354-30)				0103	1
	9	5-89354-3073	.	.	.	SEAL, (DELETED BY SB 3270) (USED ON 5-89354-29)				0450	1
R	9	5-89354-3074	.	.	.	SEAL, (DELETED BY SB 3270) (USED ON 5-89354-30)				0450	1
R	9B	5-89354-40	.	.	.	SPACER, (OPTIONAL TO 5-89354-35)				0103	24
R	9B	5-89354-40	.	.	.	SPACER, (DELETED BY SB 3270)				0450	24
R	9B	5-89354-3041	.	.	.	SPACER, (ADDED BY SB 3270)				0450	24
R	9B	5-89354-40	.	.	.	SPACER, (DELETED BY S/LTR M-7020-532)				0150	24
R	9B	5-89354-3041	.	.	.	SPACER, (ADDED BY S/LTR M-7020-532)				0150	24
R	9B	5-89354-3041	.	.	.	SPACER				5199	24
R	9C	5-89354-43	.	.	.	SPACER				0103	2
R	9C	5-89354-43	.	.	.	SPACER, (DELETED BY SB 3270)				0450	2
R	9C	5-89354-3043	.	.	.	SPACER, (ADDED BY SB 3270)				0450	2
R	9C	5-89354-43	.	.	.	SPACER, (DELETED BY S/LTR M-7020-532)				0150	2
R	9C	5-89354-3043	.	.	.	SPACER, (ADDED BY S/LTR M-7020-532)				0150	2
R	9C	5-89354-3043	.	.	.	SPACER				5199	2
R	9D	5-89354-44	.	.	.	SPACER				0103	1
R	9D	5-89354-44	.	.	.	SPACER, (DELETED BY SB 3270)				0450	1
R	9D	5-89354-3044	.	.	.	SPACER, (ADDED BY SB 3270)				0450	1
R	9D	5-89354-44	.	.	.	SPACER, (DELETED BY S/LTR M-7020-532)				0150	1
R	9D	5-89354-3044	.	.	.	SPACER, (ADDED BY S/LTR M-7020-532)				0150	1
R	9E	5-89354-42	.	.	.	SPACER				5199	1
R	9F	5-89354-41	.	.	.	INSULATOR, TERMINAL				0103	22
R	9F	5-89354-41	.	.	.	SPACER				0450	22
R	9F	5-89354-3042	.	.	.	SPACER, (DELETED BY SB 3270)				0450	22
R	9F	5-89354-41	.	.	.	SPACER, (DELETED BY S/LTR M-7020-532)				0150	22
R	9F	5-89354-3042	.	.	.	SPACER, (ADDED BY S/LTR M-7020-532)				0150	22
R	9F	5-89354-3042	.	.	.	SPACER				5199	22
R	9G	5-89354-45	.	.	.	SPACER				0103	1
R	9G	5-89354-45	.	.	.	SPACER, (DELETED BY SB 3270)				0450	1
R	9G	5-89354-3045	.	.	.	SPACER, (ADDED BY SB 3270)				0450	1
R	9G	5-89354-45	.	.	.	SPACER, (DELETED BY S/LTR M-7020-532)				0150	1
R	9G	5-89354-3045	.	.	.	SPACER, (ADDED BY S/LTR M-7020-532)				0150	1
R	9G	5-89354-3045	.	.	.	SPACER				5199	1
R	9H	S 5-89354-31	.	.	.	WINDSHIELD ASSY, PILOT				0103	1
R	9H	5-89354-31	.	.	.	WINDSHIELD ASSY, PILOT (DELETED BY SB 3270)				0450	1
R	9H	S 5-89354-3037	.	.	.	WINDSHIELD ASSY, PILOT (ADDED BY SB 3270)				0450	1
R	9H	S 5-89354-31	.	.	.	WINDSHIELD ASSY, PILOT (DELETED BY S/LTR M-7020-532)				0150	1
R	9H	5-89354-3037	.	.	.	WINDSHIELD ASSY, PILOT (ADDED BY S/LTR M-7020-532)				0150	1
R	9H	5-89354-3037	.	.	.	WINDSHIELD ASSY, PILOT				5199	1
R	9H	S 5-89354-32	.	.	.	WINDSHIELD ASSY, COPILOT				0103	1
R	9H	5-89354-32	.	.	.	WINDSHIELD ASSY, COPILOT (DELETED BY SB 3270)				0450	1
R	9H	S 5-89354-3038	.	.	.	WINDSHIELD ASSY, COPILOT (ADDED BY SB 3270)				0450	1
R	9H	S 5-89354-32	.	.	.	WINDSHIELD ASSY, COPILOT (DELETED BY S/LTR M-7020-532)				0150	1
R	9H	5-89354-3038	.	.	.	WINDSHIELD ASSY, COPILOT (ADDED BY S/LTR M-7020-532)				0150	1
R	9H	5-89354-3038	.	.	.	WINDSHIELD ASSY, COPILOT				5199	1
	10A	5-89354-13	.	.	.	TERMINAL					4
	10B	5-89354-3026	.	.	.	FILLER					1
	10C	5-89354-36	.	.	.	FILLER					1
	10D	5-89354-8	.	.	.	FILLER					1
	10E	5-89354-9	.	.	.	FILLER					1
	10F	5-89354-3023	.	.	.	FILLER					1
	10G	5-89354-3024	.	.	.	FILLER					1
	10H	5-89354-37	.	.	.	FILLER					1
	10J	10-1675-5	.	.	.	FLEX ASSY, METAL					1
	10J	PSE2-1	.	.	.	SENSING ELEMENT, (OPTIONAL TO PSE2-1)					1
	10K	5-89354-5	.	.	.	SENSING ELEMENT, (OPTIONAL 10-1675-5)					1
	10K	5-89354-6	.	.	.	OUTER PANE NO. 1, (PILOT)					1
	10M	5-89354-33	.	.	.	OUTER PANE NO. 1, (COPILOT)					1
	10M	5-89354-34	.	.	.	INNER PANE NO. 1, (PILOT)					1
	10M	5-71763-11	.	.	.	INNER PANE NO. 1, (COPILOT)					1
		5-71763-12	.	.	.	WINDSHIELD INSTL, PILOT PANE NO. 3 (PILOT) (SEE 53-2, FIG. 1, ITEM 3)					RF
			.	.	.	WINDSHIELD INSTL, COPILOT PANE NO. 3 (COPILOT) (SEE 53-2, FIG. 1, ITEM 3A)					RF

MISSING ITEM NUMBERS ARE NOT APPLICABLE

BOEING **707** Intercontinental

PARTS CATALOG

FIGURE & ITEM NO.	MANUFACTURER'S PART NUMBER	NOMENCLATURE							EFF FROM TO	UNITS PER ASSY	
		1	2	3	4	5	6	7			
1	22	5-71763-13	. . WINDSHIELD ASSY, PILOT PANE NO. 3 (PILOT)								1
	22	5-71763-14	. . WINDSHIELD ASSY, COPILOT PANE NO. 3 (COPILOT) ATTACHING PARTS								1
R R R	23	BACB30LU3-18	. . BOLT.							0150	48
	23A	BACB30LH3-20	. . BOLT.							5299	18
	23A	BACB30LU3-18	. . BOLT.							0151	18
	24	NAS679C3W	. . NUT								25
	25	69-30627-1	. . . SEAL, WINDSHIELD PANE NO. 3 DRY (OPTIONAL 5-71763-23 OR -24)								1
25B	5-71763-23	. . . SEAL, WINDSHIELD PANE NO. 3 DRY (OPTIONAL TO 69-30627-1)								1	
25C	5-71763-24	. . . SEAL, WINDSHIELD PANE NO. 3 DRY (OPTIONAL TO 69-30627-1)								1	
26	5-89356-1	. . . WINDSHIELD ASSY, PILOT PANE NO. 3 (PILOT)								1	
26	5-89356-2	. . . WINDSHIELD ASSY, COPILOT PANE NO. 3 (COPILOT)								1	
27	BACC10T3	. . CLAMP								8	
29	5-71763-3	. . STRIP, PILOT AND COPILOT WINDSHIELD PANE NO. 3. BACKING								1	
30	5-71763-7	. . STRIP, PILOT AND COPILOT WINDSHIELD PANE NO. 3. (FELT TYPE 55 MIL-F-5656 (OPTIONAL SYN RUBBER BMS1-11 GRADE 60))								1	
31	5-71763-4	. . STRIP, PILOT AND COPILOT WINDSHIELD PANE NO. 3. BACKING								1	
32	5-71763-8	. . STRIP, PILOT AND COPILOT WINDSHIELD PANE NO. 3. (FELT TYPE 55 MIL-F-5656 (OPTIONAL SYN RUBBER BMS1-11 GRADE 60))								1	
33	5-71763-5	. . STRIP, PILOT AND COPILOT WINDSHIELD PANE NO. 3. BACKING								1	
34	5-71763-9	. . STRIP, PILOT AND COPILOT WINDSHIELD PANE NO. 3. (FELT TYPE 55 MIL-F-5656 (OPTIONAL SYN RUBBER BMS1-11 GRADE 60))								1	
35	5-71763-6	. . STRIP, PILOT AND COPILOT WINDSHIELD PANE NO. 3. BACKING								1	
36	5-71763-10	. . STRIP, PILOT AND COPILOT WINDSHIELD PANE NO. 3. (FELT TYPE 55 MIL-F-5656 (OPTIONAL SYN RUBBER BMS1-11 GRADE 60))								1	
		5-71769-3001	. FRAME INSTL, LINE C TO D WINDSHIELD (LH) (SEE 53-2, FIG. 1, ITEM 3B)								RF
		5-71769-3002	. FRAME INSTL, LINE C TO D WINDSHIELD (RH) (SEE 53-2, FIG. 1, ITEM 3C)								RF
36A	BACM10S15AK	. . MARKER-ALUMINUM FOIL, 13 SPECIAL SCREWS 66-22655-1								1	
37	NAS1105-7W	. . BOLT.								1	
38	BACB30FM10	. . BOLT.								1	
39	AN960D416	. . WASHER.								1	
40	NAS679A5	. . NUT								2	
41	MS20007-19	. . BOLT.								1	
42	BACN10B7L	. . NUT								1	
43	BACR15AY8-6	. . RIVET								3	
44	9-61195-1	. . FITTING, POINT T WINDSHIELD (LH ONLY)								1	
44	9-61195-2	. . FITTING, POINT T WINDSHIELD (RH ONLY)								1	
45	9-61194-1	. . FITTING, POINT U WINDSHIELD (LH ONLY)								1	
45	9-61194-2	. . FITTING, POINT U WINDSHIELD (RH ONLY)								1	
46	3-99431-1	. . SCREW, LINE C TO D WINDSHIELD FRAME SPECIAL								2	
47	NAS679A4W	. . NUT								2	
48	63-1420	. . BOLT, LINE C TO D WINDSHIELD FRAME SPECIAL.								2	
48A	AN960D416L	. . WASHER.								2	
49	65-33018-3001	. . FITTING, POINT C WINDSHIELD (LH ONLY) (OPTIONAL 5-86827-3001)							5199	1	
49	5-86827-3001	. . FITTING, POINT C WINDSHIELD (LH ONLY) (OPTIONAL TO 65-33018-3001)							5199	1	
49	65-33018-3002	. . FITTING, POINT C WINDSHIELD (RH ONLY) (OPTIONAL 5-86827-3002)							5199	1	
49	5-86827-3002	. . FITTING, POINT C WINDSHIELD (RH ONLY) (OPTIONAL TO 65-33018-3002)							5199	1	
49	65-33018-3003	. . FITTING, POINT C WINDSHIELD (LH ONLY)							0150	1	
49	65-33018-3004	. . FITTING, POINT C WINDSHIELD (RH ONLY)							0150	1	
50	63-840B	. . BOLT, LINE C TO D WINDSHIELD FRAME SPECIAL.								1	
51	AN960D416L	. . WASHER.								1	
52	3-93043	. . SCREW, LINE C TO D WINDSHIELD FRAME SPECIAL								1	
53	NAS679A4W	. . NUT								2	
54	AN5-7A	. . BOLT.								1	
55	AN5-6A	. . BOLT.								1	
56	AN960D516	. . WASHER.								4	

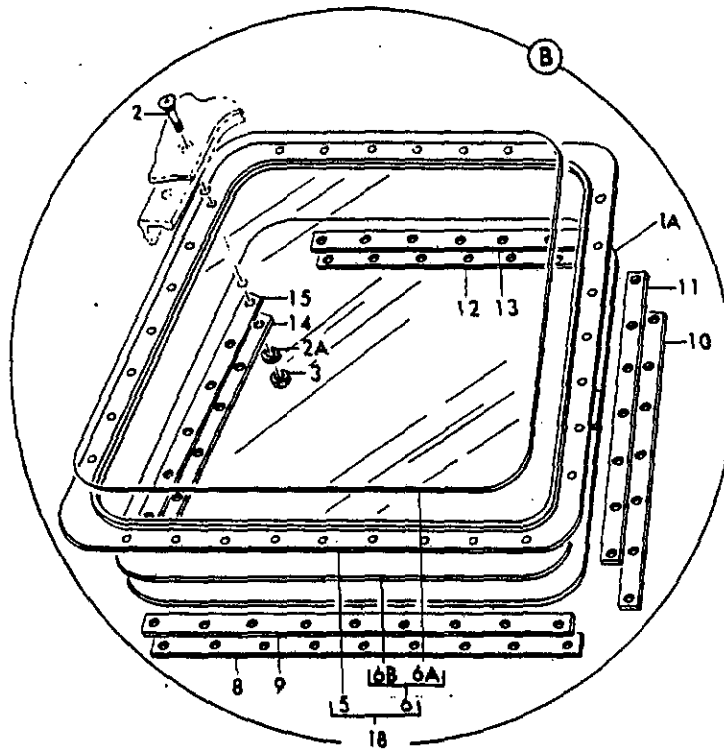
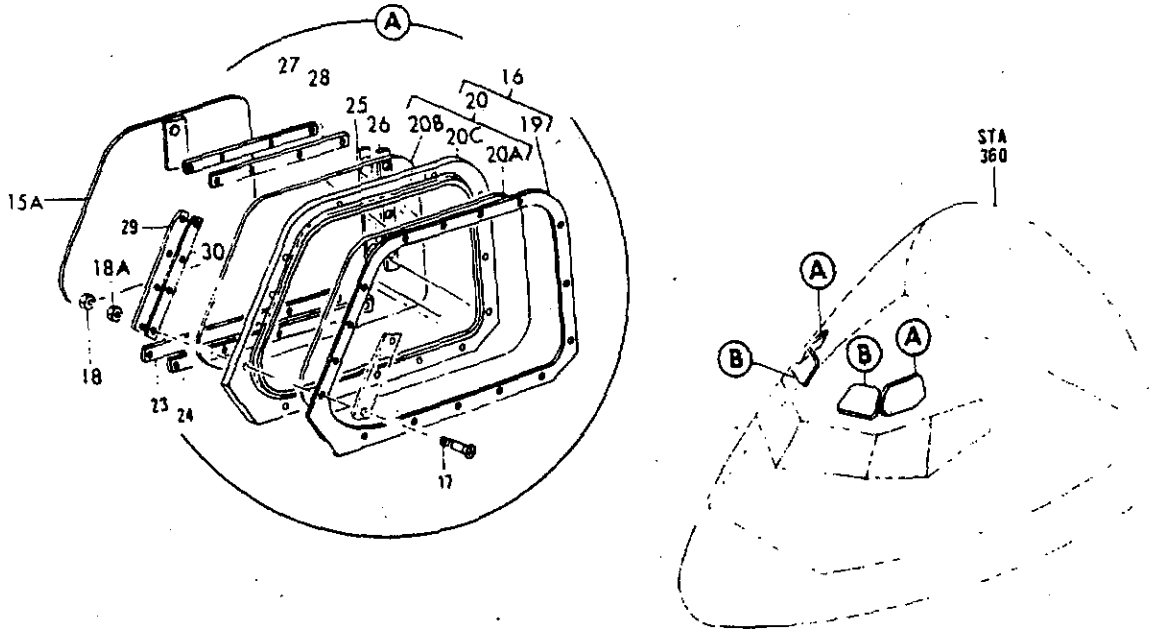
MISSING ITEM NUMBERS ARE NOT APPLICABLE

BOEING
Intercontinental

PARTS CATALOG

FIGURE & ITEM NO.	MANUFACTURER'S PART NUMBER	1 2 3 4 5 6 7	NOMENCLATURE	EFF	UNITS
				FROM TO	PER ASSY
1 RRR	57	NAS679A5	. . . NUT		2
	58	65-33020-1	. . . FITTING, POINT D WINDSHIELD (OPTIONALS 65-33020-3, 5-84066-1) (LH ONLY)		1
	58	65-33020-2	. . . FITTING, POINT D WINDSHIELD (OPTIONALS 65-33020-4, 5-84066-2) (RH ONLY)		1
	59A	66-22655-1	. . . SCREW, WINDOW FRAME 100 DEGREE (ALTERED FROM. . . . NAS517-4-5)	5151	13
	59A	66-22655-2	. . . SCREW, WINDOW FRAME 100 DEGREE (ALTERED FROM. . . . NAS517-4-5)	0150 5299	13
	60A	MS35790-25	. . . WASHER.		13
	61	66-1666-3	. . . RETAINER, WINDOW FRAME (LH ONLY).		1
	61	66-1666-4	. . . RETAINER, WINDOW FRAME (RH ONLY).		1
	62	5-71769-3013	. . . DOUBLER, WINDSHIELD FRAME (LH ONLY)		1
	62	5-71769-3014	. . . DOUBLER, WINDSHIELD FRAME (RH ONLY)		1

MISSING ITEM NUMBERS ARE NOT APPLICABLE



WINDOW INSTL, PILOT AND COPILOT PANE NO. 5
 FIGURE 2. WINDOW INSTL, PILOT AND COPILOT PANE NO. 4



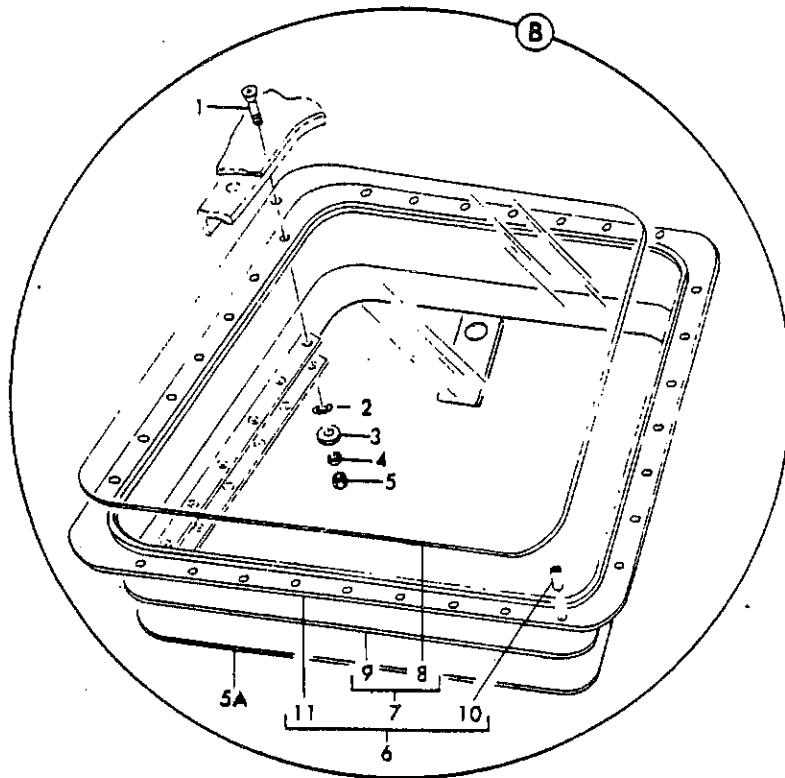
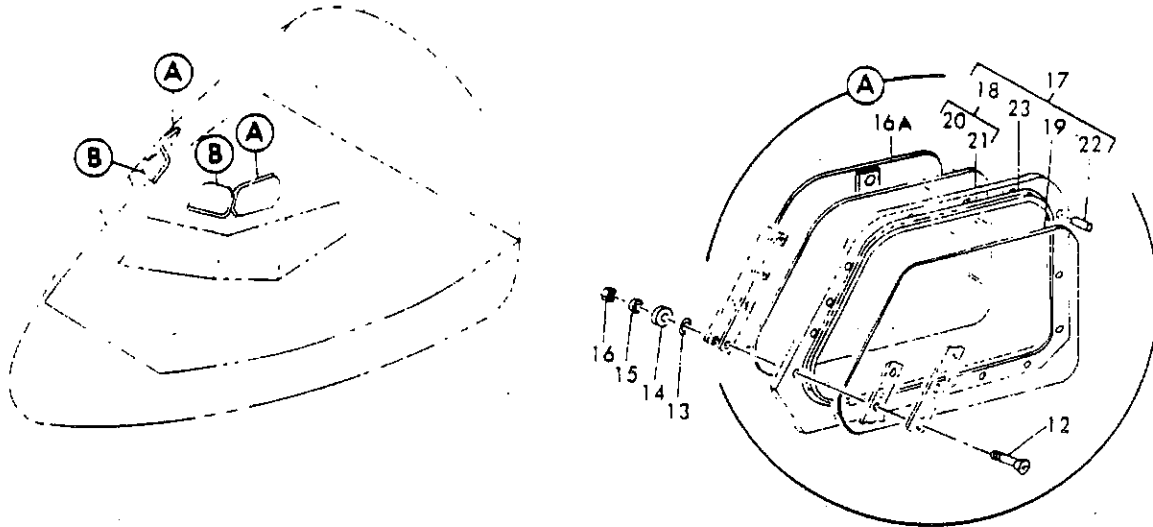
PARTS CATALOG

R
R
R
R
R
R

FIGURE & ITEM NO.	MANUFACTURER'S PART NUMBER	NOMENCLATURE							EFF FROM TO	UNITS PER ASSY
		1	2	3	4	5	6	7		
2 28	5-71765-9	.	.	STRIP, PILOT AND COPILOT WINDOW PANE NO. 5 (1/8 SYN					0150	1
				RUBBER BMS1-11 GRADE 60 (OPTIONAL .065 FELT						
				TYPE 55 SPEC NO. MIL-F-5656)						
29	5-71765-6	.	.	STRIP, PILOT AND COPILOT WINDOW PANE NO. 5 BACKING					0150	1
30	5-71765-10	.	.	STRIP, PILOT AND COPILOT WINDOW PANE NO. 5 (1/8 SYN					0150	1
				RUBBER BMS1-11 GRADE 60 (OPTIONAL .065 FELT						
				TYPE 55 SPEC NO. MIL-F-5656)						

MISSING ITEM NUMBERS ARE NOT APPLICABLE

STA
360



WINDOW INSTL, PILOT AND COPILOT PANE NO. 5
FIGURE 2A. WINDOW INSTL, PILOT AND COPILOT PANE NO. 4



PARTS CATALOG

FIGURE & ITEM NO.	MANUFACTURER'S PART NUMBER	NOMENCLATURE							EFF FROM TO	UNITS PER ASSY
		1	2	3	4	5	6	7		
2A		WINDOW INSTL, PILOT AND COPILOT PANE NO. 4.							5199	
		5-71764-29	WINDOW INSTL, PILOT AND COPILOT PANE NO. 5.						5199	
		5-71764-30	. WINDOW INSTL, PILOT PANE NO. 4 (SEE 53-2, FIG. 1,						5199	RF
		5-71764-33	ITEM 4)							
			. WINDOW INSTL, COPILOT PANE NO. 4 (SEE 53-2, FIG. 1,						5199	RF
			ITEM 4A)							
			. SPARES ASSY, PILOT AND COPILOT WINDOW PANE NO. 4.						5199	RF
			(CONSISTS OF PARTS DENOTED BY S)							
	1	BACB30LU4-18 BOLT.						5199	30
	1	S BACB30LU4-18 BOLT.						5199	30
			(OPTIONAL TO BACB30LH4-18)							
1	BACB30LH4-18 BOLT.						5199	30	
		(OPTIONAL BACB30LU4-18)								
2	5-71764-31 KIT ASSY, PACKING						5199	1	
2	S 5-71764-31 KIT ASSY, PACKING						5199	1	
2	5-211E600-7 PACKING (V83259).						5199	30	
		(OPTIONAL 1-00101 (V07096),								
		5-211 (V83259))								
2	S 5-211E600-7 PACKING, (V83259)						5199	30	
		(OPTIONAL 1-00101 (V07096),								
		5-211 (V83259))								
2	1-00101 PACKING (V07096).						5199	30	
		(OPTIONAL TO 5-211E600-7 (V83259))								
2	S 1-00101 PACKING, (V07096)						5199	30	
		(OPTIONAL TO 5-211E600-7 (V83259))								
2	5-211 PACKING, (V83259)						5199	30	
		(OPTIONAL TO 5-211E600-7 (V83259))								
3	5-71764-32 KIT ASSY, WASHER.						5199	1	
3	S 5-71764-32 KIT ASSY, WASHER.						5199	1	
3	BACW10P93A WASHER.						5199	30	
3	S BACW10P93A WASHER.						5199	30	
4	AN960D416 WASHER.						5199	AR	
5	NAS679A4W NUT						5199	30	
5	S NAS679A4W NUT						5199	30	
6	5-89357-21 WINDOW ASSY, PILOT PANE NO. 4						5199	1	
6	5-89357-22 WINDOW ASSY, COPILOT PANE NO. 4						5199	1	
7	3-89357-23 WINDOW ASSY, PILOT PANE NO. 4						5199	1	
7	5-89357-24 WINDOW ASSY, COPILOT PANE NO. 4						5199	1	
8	5-89357-3 PANE, PILOT NO. 4 WINDOW OUTER.						5199	1	
8	5-89357-4 PANE, COPILOT NO. 4 WINDOW OUTER.						5199	1	
9	5-89357-7 PANE, PILOT NO. 4 WINDOW INNER.						5199	1	
9	5-89357-8 PANE, COPILOT NO. 4 WINDOW INNER.						5199	1	
10	5-89357-31 SPACER.						5199	30	
11	5-89357-29 SEAL, PILOT PANE NO. 4.						5199	1	
11	5-89357-30 SEAL, COPILOT PANE NO. 4.						5199	1	
	5-71765-33	. WINDOW INSTL, PILOT PANE NO. 5 (SEE 53-2, FIG. 1,						5199	RF	
		ITEM 5)								
	5-71765-34	. WINDOW INSTL, COPILOT PANE NO. 5 (SEE 53-2, FIG. 1,						5199	RF	
		ITEM 5A)								
	5-71765-37	. SPARES ASSY, PILOT AND COPILOT WINDOW PANE NO. 5.						5199	RF	
		(CONSISTS OF PARTS DENOTED BY S)								
12	BACB30LU3-15 BOLT.						5199	16	
12	S BACB30LU3-15 BOLT.						5199	16	
13	5-71765-35 KIT ASSY, PACKING						5199	1	
13	S 5-71765-35 KIT ASSY, PACKING						5199	1	
13	5-211E600-7 PACKING (V83259).						5199	17	
		(OPTIONAL 1-00101 (V07096))								
13	S 5-211E600-7 PACKING, (V83259)						5199	17	
		(OPTIONAL 1-00101 (V07096))								
13	1-00101 PACKING (V07096).						5199	17	
		(OPTIONAL TO 5-211E600-7 (V83259))								
13	S 1-00101 PACKING, (V07096)						5199	17	
		(OPTIONAL TO 5-211E600-7 (V83259))								
14	5-71765-36 KIT ASSY, WASHER.						5199	1	
14	S 5-71765-36 KIT ASSY, WASHER.						5199	1	
14	BACW10P44AL WASHER.						5199	19	
14	S BACW10P44AL WASHER.						5199	19	
15	AN960D416 WASHER.						5199	AR	
16	NAS679C3W NUT						5199	16	
16	S NAS679C4W NUT						5199	16	
17	5-89358-21 WINDOW ASSY, PILOT.						5199	1	
17	5-89358-22 WINDOW ASSY, COPILOT.						5199	1	
18	5-89358-3 PANE, PILOT OUTER WINDOW NO. 5.						5199	1	
18	5-89358-4 PANE, COPILOT OUTER WINDOW NO. 5.						5199	1	

MISSING ITEM NUMBERS ARE NOT APPLICABLE

BOEING
Intercontinental

PARTS CATALOG

FIGURE & ITEM NO.	MANUFACTURER'S PART NUMBER	1	2	3	4	5	6	7	NOMENCLATURE	EFF FROM TO	UNITS PER ASSY
19	5-89358-24	WINDOW ASSY, COPILOT.	5199	1
20	5-89358-7	PANE, PILOT INNER WINDOW NO. 5.	5199	1
20	5-89358-8	PANE, COPILOT INNER WINDOW NO. 5.	5199	1
21	5-89358-5	CORE, PILOT	5199	1
21	5-89358-6	CORE, COPILOT	5199	1
22	5-89358-25	SPACER.	5199	16
23	5-89358-27	SEAL, PILOT PANE NO. 5.	5199	1
23	5-89358-28	SEAL, COPILOT PANE NO. 5.	5199	1

MISSING ITEM NUMBERS ARE NOT APPLICABLE

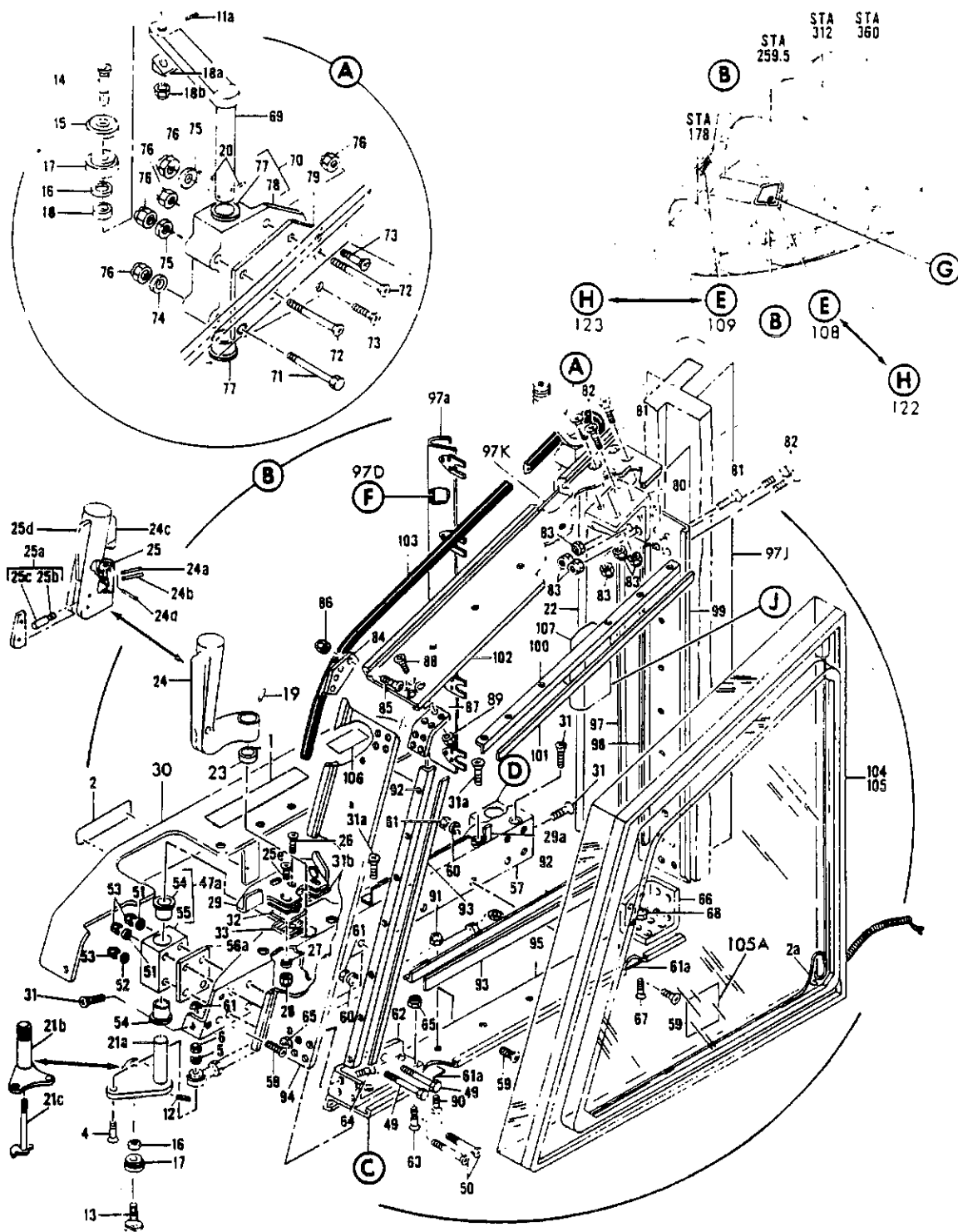


FIGURE 3. WINDSHIELD INSTL, SLIDING (SHEET 1)

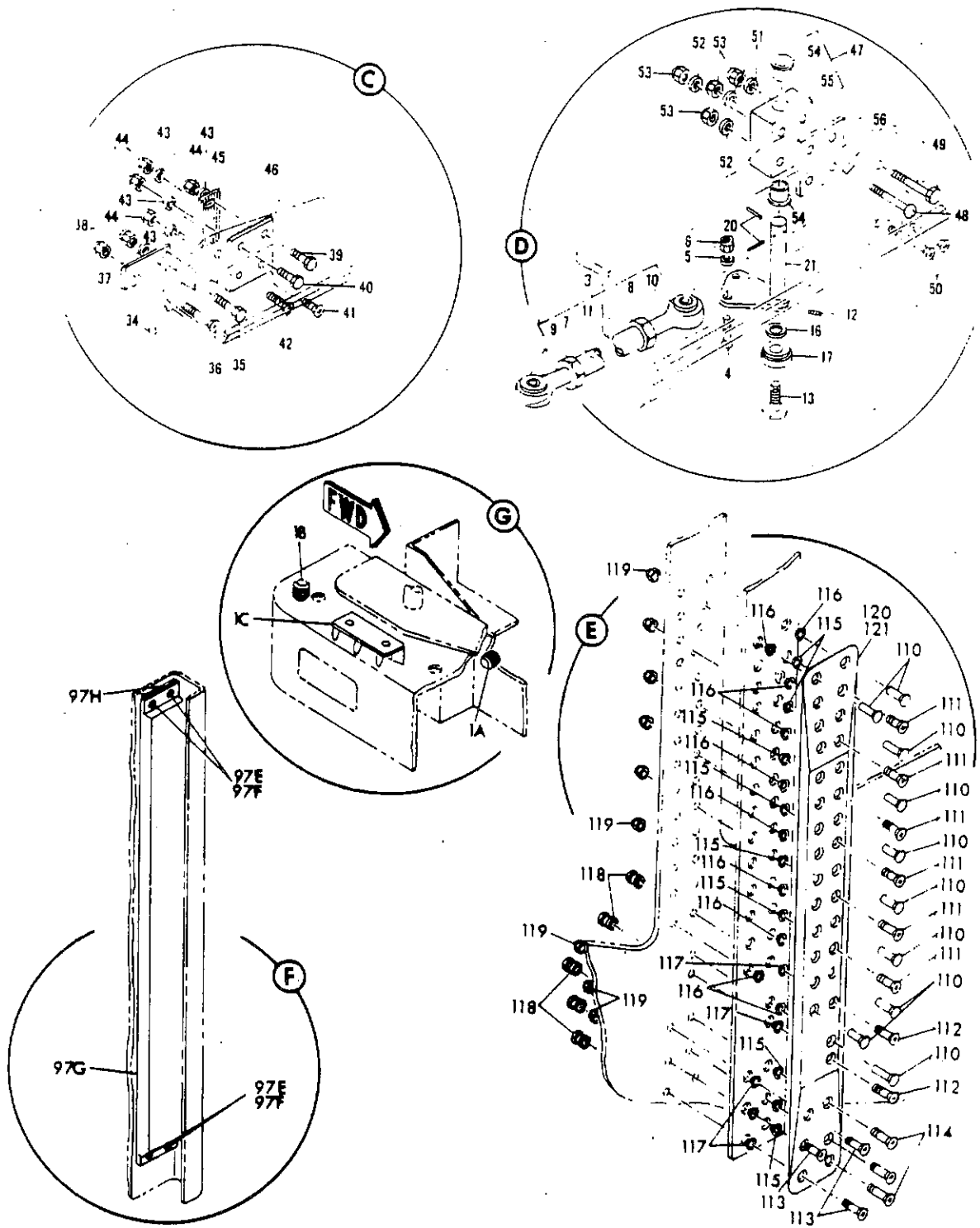


FIGURE 3. WINDSHIELD INSTL, SLIDING (SHEET 2)



PARTS CATALOG

FIGURE & ITEM NO.	MANUFACTURER'S PART NUMBER	NOMENCLATURE	EFF FROM TO	UNITS	
				PER ASSY	
R R R R R R R R R R R R R R R R R	3	5-71762-3001	WINDSHIELD INSTL, SLIDING (LH) (SEE 53-2, FIG. 1, ITEM 2)	0150	RF
		5-71762-3001	WINDSHIELD INSTL, SLIDING (LH) (VARIABLE. DWG; 5-71762-5003) (SEE 53-2, FIG. 1, ITEM 2)	5199	RF
		65-9631-5	SPARES ASSY, NO. 2 SLIDING WINDSHIELD (LH). (FOR REPLACEMENT ORDER 65-9631-14)		RF
		65-9631-14	SPARES ASSY, NO. 2 SLIDING WINDSHIELD (LH).		RF
		5-71762-3002	WINDSHIELD INSTL, SLIDING (RH) (SEE 53-2, FIG. 1, ITEM 2A)	0150	RF
		5-71762-3002	WINDSHIELD INSTL, SLIDING (RH) (VARIABLE. DWG; 5-71762-5006) (SEE 53-2, FIG. 1, ITEM 2A)	5199	RF
		65-9631-8	SPARES ASSY, NO. 2 SLIDING WINDSHIELD (RH). (FOR REPLACEMENT ORDER 65-9631-13)		RF
		65-9631-13	SPARES ASSY, NO. 2 SLIDING WINDSHIELD (RH).		RF
	1	BACM10W60-2VY	. MARKER, WARNING TURN F/O WINDOW HEAT SWITCH TO OFF. IF CAPTAINS SLIDING WINDOW IS RETRACTED INSTRUCTIONS ALUMINUM FOIL (USED ON 5-71762-3001)	0151	1
	1	BACM10W60-2VX	. MARKER, WARNING TURN CAPTAINS WINDOW HEAT SWITCH. TO OFF POSITION IF F/O SLIDING WINDOW IS RETRACTED INSTRUCTIONS ALUMINUM FOIL (USED ON 5-71762-3002)	0151	1
	1D	BACM10W60-2VY	. MARKER-ALUMINUM FOIL, WARNING TURN F/O WINDOW HEAT SWITCH TO OFF IF CAPTAINS SLIDING WINDOW IS RETRACTED (USED ON 5-71762-3001)	5299	1
	1D	BACM10W60-2VX	. MARKER-ALUMINUM FOIL, WARNING TURN CAPTAINS WINDOW HEAT SWITCH TO OFF POSITION IF F/O SLIDING WINDOW IS RETRACTED (USED ON 5-71762-3002)	5299	1
	2	BACM10W20-6K	. MARKER, PRESS TRIGGER AND PULL TO OPEN WINDOW ALUMINUM FOIL (USED ON 5-71762-3001, -3047)		1
	2	BACM10W20-6K	. MARKER, PRESS TRIGGER AND PULL TO OPEN WINDOW ALUMINUM FOIL (USED ON 5-71762-3002, -3048)		1
	2A	69-2703-5	. BUNDLE ASSY, NO. 2 SLIDING WINDOW ANTI-ICE ELECTRICAL (LH) (USED ON 65-9631-1 AND -5) (SEE 30-4, FIG. 3)		1
	2A	69-2703-6	. BUNDLE ASSY, NO. 2 SLIDING WINDOW ANTI-ICE ELECTRICAL (RH) (USED ON 65-9631-2, -6, AND -8) (SEE 30-4, FIG. 3)		1
		5-71762-3027	. WINDOW ASSY, SLIDING WINDSHIELD (USED ON. 5-71762-3001) (SEE FIG. 4 FOR ADDITIONAL SPARES ASSEMBLIES)		1
	5-71762-3019	. SPARES KIT ASSY, SLIDING WINDSHIELD (LH) (SEE FIG. 4)		RF	
	5-71762-3027	. WINDOW ASSY, SLIDING WINDSHIELD (FOR SPARES ONLY). (USED ON 65-9631-5)		1	
	5-71762-3030	. WINDOW ASSY, SLIDING WINDSHIELD (USED ON. 5-71762-3002) (SEE FIG. 4 FOR ADDITIONAL SPARES ASSEMBLIES)		1	
	5-71762-3020	. SPARES KIT ASSY, (RH) (SEE FIG. 4).		RF	
	5-71762-3030	. WINDOW ASSY, SLIDING WINDSHIELD (FOR SPARES ONLY). (USED ON 65-9631-8)		1	
	5-71762-3097	. WINDOW ASSY, SLIDING WINDSHIELD (FOR SPARES ONLY). (USED ON 65-9631-14)		1	
	5-71762-3096	. WINDOW ASSY, SLIDING WINDSHIELD (FOR SPARES ONLY). (USED ON 65-9631-13)		1	
3	BACR24E6CL166	. . . ROD ASSY, (NOT USED ON 5-71762-3095, -3096 AND. . . -3097)		1	
3	BACR24D6L166	. . . ROD ASSY, (USED ON 5-71762-3095, -3096 AND -3097) . ATTACHING PARTS		1	
4	NAS517-4-12	. . . SCREW		2	
5	AN960-416	. . . WASHER.		2	
6	NAS679A4W	. . . NUT		2	
7	AN316-6L	. . . NUT		1	
8	AN316-6R	. . . NUT		1	
9	BACB10A75L	. . . BEARING		1	
10	BACB10A75	. . . BEARING		1	
11	BACR24D6L166E	. . . TUBE		1	
12	AN565D2H3	. . . SETSCREW.		3	
13	60-7312	. . . BOLT, SLIDING WINDOW SPECIAL.		3	
14	66-13225-4	. . . SCREW, SLIDING WINDOW SPECIAL (NOT USED ON. . . 5-71762-3003 AND -3004)		1	
15	3-93750	. . . GLIDE, SLIDING WINDOW TRACK		1	
16	AN960D416L	. . . WASHER.		AR	
17	BACB10B131	. . . BEARING		3	

MISSING ITEM NUMBERS ARE NOT APPLICABLE

BOEING
Intercontinental
PARTS CATALOG

FIGURE & ITEM NO.	MANUFACTURER'S PART NUMBER	NOMENCLATURE							EFF FROM TO	UNITS PER ASSY
		1	2	3	4	5	6	7		
3 18	66-13225-2	. . SPACER, SLIDING WINDOW (NOT USED ON 5-71762-3003, AND -3004)								1
18A	66-13225-3	. . SPACER, SLIDING WINDOW (NOT USED ON 5-71762-3003, AND -3004)								1
18B	NAS679A4W	. . NUT, (NOT USED ON 5-71762-3003 AND -3004)								1
19	MS16562-49	. . PIN, (LH ONLY)								1
19	MS16562-49	. . PIN, (RH ONLY)								1
20	MS16562-35	. . PIN, (LH ONLY)								4
20	MS16562-35	. . PIN, (RH ONLY)								4
21	9-64334-5	. . BELLCRANK, SLIDING WINDOW LOWER (LH ONLY)								1
21	9-64334-6	. . BELLCRANK, SLIDING WINDOW LOWER (RH ONLY)								1
21A	9-64334-5	. . BELLCRANK, SLIDING WINDOW LOWER (LH ONLY)								1
21B	69-26368-4	. . BELLCRANK, SLIDING WINDOW UPPER (RH ONLY)								1
21C	69-26469-2	. . SHAFT ASSY, SLIDING WINDOW CAM (RH ONLY)								1
22	5-71762-2011	. . TUBE, SLIDING WINDSHIELD WINDOW								1
23	NAS43-8-16	. . SPACER, (LH ONLY)								1
23	NAS43-9-16	. . SPACER, (RH ONLY)								1
24	9-64301-3004	. . HANDLE ASSY, SLIDING WINDOW (USED ON 5-71762-3025, -3027, -3061) (SEE FIG. 5)								1
24A	MS16562-38	. . PIN, (RH ONLY)								1
24B	MS16562-30	. . PIN, (RH ONLY)								1
24C	69-26314-8	. . COVER, SLIDING WINDOW HANDLE MECHANISM (RH ONLY). (OPTIONAL 69-26314-6)								1
24C	69-26314-6	. . COVER, SLIDING WINDOW MECHANISM (RH ONLY) (OPTIONAL TO 69-26314-8)								1
24D	MS16562-195	. . PIN, (RH ONLY)								1
25	66-19354-2	. . CAM, SLIDING WINDOW UPPER (RH ONLY)								1
25A	66-19355-1	. . PIN ASSY, SLIDING WINDOW ADJUSTABLE TRIGGER (RH ONLY)								1
25B	66-19355-3	. . . SCREW, PIN ADJUSTMENT (ALTERED FROM BACS12BG06ALB) (OPTIONAL 66-19851-1)								1
25B	66-19851-1	. . . SCREW, PIN ADJUSTMENT (OPTIONAL TO 66-19355-3)								1
25C	66-19355-2	. . . PIN, SLIDING WINDOW ADJUSTABLE TRIGGER.								1
25D	69-26410-1	. . HANDLE ASSY, SLIDING WINDOW (USED ON 5-71762-3024, -3029, -3030, -3062, -3096) (SEE FIG. 6)								1
25E	NAS517-3-3	. . SCREW								2
26	NAS517-3-4	. . SCREW								1
27	AN960D10	. . WASHER.								3
28	NAS679A3W	. . NUT								1
29	60-3130-3	. . PLATE, SLIDING WINDOW LOCK (USED ON 5-71762-3025, -3027, -3061, -3095, -3097)								1
29	60-3130-4	. . PLATE, SLIDING WINDOW LOCK (USED ON 5-71762-3026, -3028, -3029, -3030, -3062, -3096, -42)								1
30	5-96369-3005	. . COVER ASSY, SLIDING WINDOW MECHANISM (USED ON 5-71762-3027, -3061, -3095, -3097, -41)								1
30	5-96369-3006	. . COVER ASSY, SLIDING WINDOW MECHANISM (USED ON 5-71762-3028, -3030, -3062, -3096, -42)								1
31	NAS517-3-0	ATTACHING PARTS								5
31A	NAS517-3-0	. . SCREW								4
31B	66-20767-1	. . SHIM, SLIDING WINDOW LOCK PLATE LAMINATED								AR
32	30-2419-1	. . PLATE, SLIDING WINDOW SERRATED ADJUSTMENT (LH ONLY)								1
32	30-2419-2	. . PLATE, SLIDING WINDOW SERRATED ADJUSTMENT (RH ONLY)								1
33	30-2419-3	. . PLATE, SLIDING WINDOW SERRATED ADJUSTMENT								1
34	3-93532	. . SPACER, SLIDING WINDOW.								1
35	AN3-7A	. . BOLT.								1
36	NAS517-3-6	. . SCREW								1
37	AN960D10	. . WASHER.								1
38	NAS679A3W	. . NUT								2
39	AN3-6A	. . BOLT, (LH ONLY)								1
39	AN3-6A	. . BOLT, (RH ONLY)								1
40	AN3-5A	. . BOLT, (LH ONLY)								1
40	AN3-5A	. . BOLT, (RH ONLY)								1
41	NAS517-3-4	. . SCREW								1
42	NAS517-3-3	. . SCREW								1
43	AN960D10	. . WASHER.								4
44	NAS679A3W	. . NUT								4
45	9-64335-3	. . GUIDE, SLIDING WINDOW SERRATED (LH ONLY).								1
45	9-64335-4	. . GUIDE, SLIDING WINDOW SERRATED (RH ONLY).								1
46	9-64335	. . PLATE, SLIDING WINDOW SERRATED GUIDE.								1
47	6-83634	. . HOUSING ASSY, SLIDING WINDOW CONTROL.								1

MISSING ITEM NUMBERS ARE NOT APPLICABLE



BOEING *Intercontinental*

PARTS CATALOG

FIGURE & ITEM NO.	MANUFACTURER'S PART NUMBER	NOMENCLATURE	EFF FROM TO	UNITS PER ASSY				
					1	2	3	4
3	47A	6-83634		1				
	47A	66-19362-3		1				
	48	NAS603-26		1				
	49	AN3-14A		3				
	50	BACB30ABP3-15A		4				
	51	AN960D10		4				
	52	AN960D10L		4				
	53	NAS679A3W		8				
	54	BACB10D33F		2				
	54	BACB10D42F		1				
	55	6-83634-1		1				
	55	66-19362-4		1				
	56	BACS40D24-30		1				
	56A	BACS40D24-30		1				
	56A	BACS40B24-30		1				
	57	9-65303-7		1				
	57	9-65303-8		1				
	58	NAS517-3-0		7				
	59	NAS517-3-6		2				
	60	AN960D10		2				
	61	NAS679A3W		9				
	61A	63-1179-2		2				
	61A	63-1179		2				
	61A	63-1179-1		2				
		ATTACHING PARTS						
		SCREW		4				
		WASHER		4				
		NUT		4				
	62	69-36753-1		1				
	62	69-36753-2		1				
		ATTACHING PARTS						
		SCREW		6				
		BOLT		4				
		NUT		10				
	66	69-36753-5		1				
	66	69-36753-6		1				
		ATTACHING PARTS						
		SCREW		8				
		NUT		8				
	69	9-64333-1		1				
	70	9-65104-1		1				
	70	9-65104-2		1				
		ATTACHING PARTS						
		BOLT		1				
		BOLT		2				
		SCREW		2				
		WASHER		1				
		WASHER		2				
		NUT		5				
	77	BACB10D33F		2				
	78	9-65104-3		1				
	78	9-65104-4		1				
	79	3-93722		AR				
	79	3-93722-1		AR				
	79	3-93722-2		AR				
	80	69-36753-3		1				
	80	69-36753-4		1				
		ATTACHING PARTS						
		BOLT		4				
		SCREW		4				
		NUT		8				

MISSING ITEM NUMBERS ARE NOT APPLICABLE

BOEING **707** Intercontinental 
PARTS CATALOG

FIGURE & ITEM NO.	MANUFACTURER'S PART NUMBER	NOMENCLATURE	EFF FROM TO	UNITS PER ASSY
3 84	9-65303-1	. . . PLATE, SLIDING WINDOW JOINT TIE ATTACHING PARTS		1
85	60-3763-1	. . . SCREW, SPECIAL SLIDING WINDSHIELD (OPTIONAL ALTERED FROM NAS517-3-2)		4
86	NAS679A3W	. . . NUT		4
87	9-65303	. . . CLIP, SLIDING WINDOW JOINT TIE. ATTACHING PARTS		1
88	NAS517-3-3	. . . SCREW		8
89	NAS679A3W	. . . NUT		8
90	NAS517-3-3	. . . SCREW		30
91	NAS679A3W	. . . NUT		30
92	5-71762-5	. . . ANGLE, SLIDING WINDSHIELD WINDOW GLASS RETAINER . . .		2
93	5-71762-8	. . . STRIP, SLIDING WINDSHIELD WINDOW FELT		2
94	5-96323-11	. . . FRAME, SLIDING WINDOW (OPTIONAL 5-96323-9). (LH ONLY)		1
94	5-96323-12	. . . FRAME, SLIDING WINDOW (OPTIONAL 5-96323-10) (RH ONLY)		1
95	5-96323-13	. . . FRAME, SLIDING WINDOW (OPTIONAL 5-96323-3). (LH ONLY)		1
95	5-96323-14	. . . FRAME, SLIDING WINDOW (OPTIONAL 5-96323-4). (RH ONLY)		1
97	5-71762-6	. . . ANGLE, SLIDING WINDSHIELD WINDOW GLASS RETAINER . . .		1
98	5-71762-9	. . . STRIP, SLIDING WINDSHIELD WINDOW FELT		1
99	5-96323-5	. . . FRAME, SLIDING WINDOW (LH ONLY)		1
99	5-96323-6	. . . FRAME, SLIDING WINDOW (RH ONLY)		1
100	5-71762-7	. . . ANGLE, SLIDING WINDSHIELD WINDOW GLASS RETAINER . . .		1
101	5-71762-10	. . . STRIP, SLIDING WINDSHIELD WINDOW FELT		1
102	5-96323-15	. . . FRAME, SLIDING WINDOW (OPTIONAL 5-96323-7). (LH ONLY)		1
102	5-96323-16	. . . FRAME, SLIDING WINDOW (OPTIONAL 5-96323-8). (RH ONLY)		1
103	9-66525-5	. . . SEAL, SLIDING WINDOW (LH ONLY).		1
103	9-66525-6	. . . SEAL, SLIDING WINDOW (RH ONLY).		1
104	5-71762-25	. . . WINDSHIELD ASSY, SLIDING (USED ON 5-71762-3011, . . . -3027, -3025, -3061)		1
104	5-71762-3093	. . . WINDSHIELD ASSY, SLIDING (LH ONLY) (USED ON 5-71762-3095, -3097) (OPT TO 5-89355-57)		1
104	5-71762-26	. . . WINDSHIELD ASSY, SLIDING (USED ON 5-71762-42, -3012, -3028, -3026, -3024, -3029, -3030, -3062)		1
104	5-71762-3094	. . . WINDSHIELD ASSY, SLIDING (RH ONLY) (USED ON 5-71762-3096) (OPT TO 5-89355-58)		1
104	5-89355-57	. . . WINDSHIELD ASSY (LH ONLY) (USED ON 5-71762-3095) (OPT 5-71762-3093)		1
104	5-89355-58	. . . WINDSHIELD ASSY (RH ONLY) (USED ON 5-71762-3096) (OPT 5-71762-3094)		1
105	5-89355-23	. . . WINDSHIELD ASSY, PILOTS AND COPILOTS PANE NO. 2 . . . (USED ON 5-71762-25)		1
105	5-89355-53	. . . WINDSHIELD ASSY, PILOTS AND COPILOTS PANE NO. 2 . . . (LH ONLY) (USED ON 5-71762-3093)		1
105	5-89355-24	. . . WINDSHIELD ASSY, PILOTS AND COPILOTS PANE NO. 2 . . . (USED ON 5-71762-26)		1
105	5-89355-54	. . . WINDSHIELD ASSY, PILOTS AND COPILOTS PANE NO. 2 . . . (RH ONLY) (USED ON 5-71762-3094)		1
105A	10-1675-5 ELEMENT, SENSING (USED ON 5-89355-23, -24). (OPTIONAL TO PSE2-1)		1
105A	PSE2-1 ELEMENT, SENSING (USED ON 5-89355-23, -24). (OPTIONAL 10-1675-5)		1
106	69-20829-2	. . . SWITCH INSTL, NO. 2 HEAT CONTROL (ADDED BY SB 2101) (USED ON 5-71762-42) (RH ONLY) (SEE 30-4, FIG. 4A)	5199	1
107	69-20829-4	. . . SWITCH INSTL, NO. 2 HEAT CONTROL (ADDED BY SB 2101) (USED ON 5-71762-42) (RH ONLY) (SEE 30-4, FIG. 4A)	5199	1
107A	10-1468-10	. . . SWITCH, NESA GLASS WINDOW HEAT CONTROL THERMAL. (USED ON 65-9631-13, -14, -15)		1
107B	66-21461-1	. . . BRACKET ASSY, THERMAL SWITCH SPRING CLAMP (USED ON . . . 65-9631-13, -14, -15)		1
107C	MS20392-2C33	. . . PIN		2

MISSING ITEM NUMBERS ARE NOT APPLICABLE

R
R
R
R
R

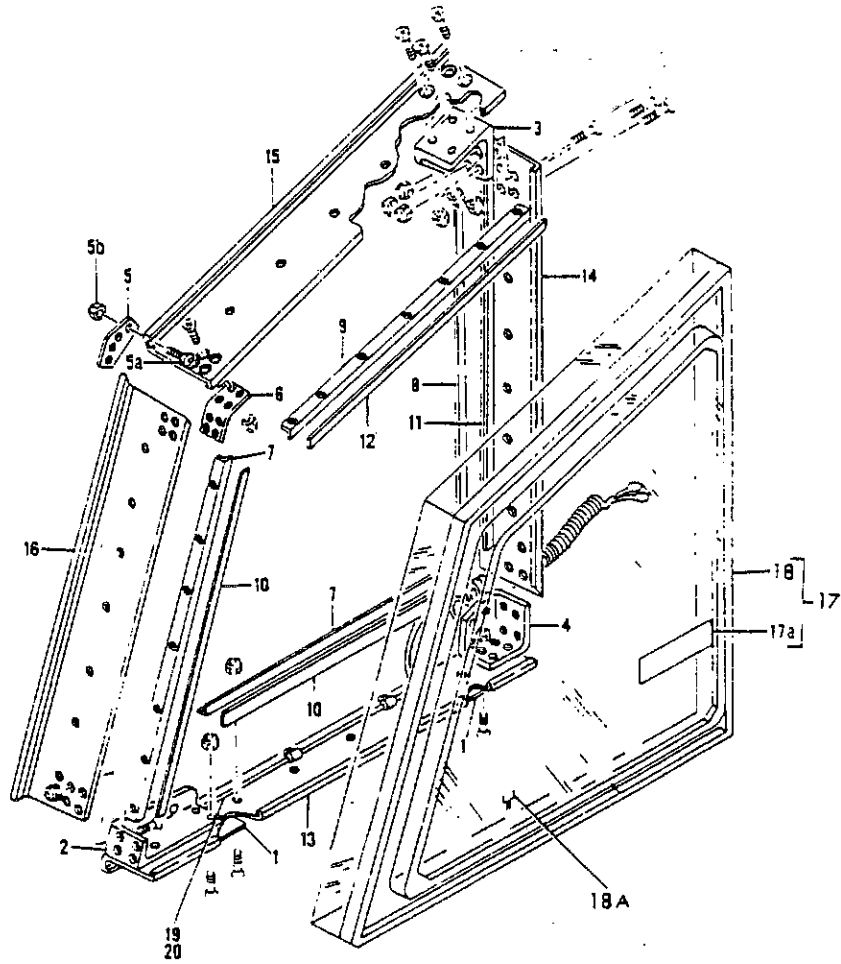
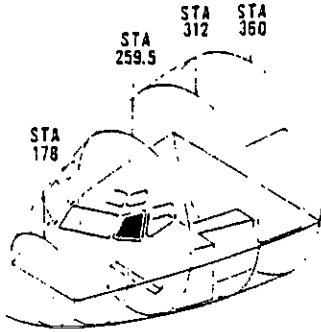


FIGURE 4 SPARES KIT ASSY SLIDING WINDSHIELD



PARTS CATALOG

FIGURE & ITEM NO.	MANUFACTURER'S PART NUMBER	NOMENCLATURE							EFF FROM TO	UNITS PER ASSY	
		1	2	3	4	5	6	7			
4	5-71762-3015	SPARES KIT ASSY, SLIDING WINDSHIELD (LH) (SEE FIG. 3)								RF	
	5-71762-3019	SPARES KIT ASSY, SLIDING WINDSHIELD (LH) (SEE FIG. 3)								RF	
	5-71762-3016	SPARES KIT ASSY, SLIDING WINDSHIELD (RH) (SEE FIG. 3)								RF	
	5-71762-3020	SPARES KIT ASSY, SLIDING WINDSHIELD (RH) (SEE FIG. 3)								RF	
	1	63-1179-2	. GUIDE, SLIDING WINDOW (OPTIONALS 63-1179, -1)								2
	1	63-1179	. GUIDE, SLIDING WINDOW								2
			(OPTIONAL TO 63-1179-2)								
	1	63-1179-1	. GUIDE, SLIDING WINDOW								2
			(OPTIONAL TO 63-1179-2)								
			ATTACHING PARTS								
	NAS517-2-5	. SCREW								4	
	AN96008	. WASHER								4	
	NAS679A08W	. NUT								4	
	-----*										
2	69-36753-1	. FITTING, SLIDING WINDOW POINT D (LH ONLY)								1	
2	69-36753-2	. FITTING, SLIDING WINDOW POINT D (RH ONLY)								1	
		ATTACHING PARTS									
	BACB30ABP3-3A	. BOLT								4	
	NAS517-3-3	. SCREW								6	
	NAS679A3W	. NUT								10	
	-----*										
3	69-36753-3	. FITTING, SLIDING WINDOW POINT E (LH ONLY)								1	
3	69-36753-4	. FITTING, SLIDING WINDOW POINT E (RH ONLY)								1	
		ATTACHING PARTS									
	BACB30ABP3-3A	. BOLT								4	
	NAS517-3-3	. SCREW								4	
	NAS679A3W	. NUT								8	
	-----*										
4	69-36753-5	. FITTING, SLIDING WINDOW POINT F (LH ONLY)								1	
4	69-36753-6	. FITTING, SLIDING WINDOW POINT F (RH ONLY)								1	
		ATTACHING PARTS									
	NAS517-3-3	. SCREW								8	
	NAS679A3W	. NUT								8	
	-----*										
5	9-65303-1	. PLATE, SLIDING WINDOW JOINT TIE								1	
		ATTACHING PARTS									
5A	60-3763-1	. SCREW, SPECIAL SLIDING WINDSHIELD (OPTIONAL ALTERED FROM NAS517-3-2)								4	
5B	NAS679A3W	. NUT								4	
	-----*										
6	9-65303	. CLIP, SLIDING WINDOW JOINT TIE								1	
		ATTACHING PARTS									
	NAS517-3-3	. SCREW								8	
	NAS679A3W	. NUT								8	
	-----*										
7	5-71762-5	. ANGLE, SLIDING WINDSHIELD WINDOW GLASS RETAINER								2	
8	5-71762-6	. ANGLE, SLIDING WINDSHIELD WINDOW GLASS RETAINER								1	
9	5-71762-7	. ANGLE, SLIDING WINDSHIELD WINDOW GLASS RETAINER								1	
		ATTACHING PARTS									
	NAS517-3-3	. SCREW								30	
	NAS679A3W	. NUT								30	
	-----*										
10	5-71762-8	. STRIP, SLIDING WINDSHIELD WINDOW FELT								2	
11	5-71762-9	. STRIP, SLIDING WINDSHIELD WINDOW FELT								1	
12	5-71762-10	. STRIP, SLIDING WINDSHIELD WINDOW FELT								1	
13	5-96323-3	. FRAME, (LH ONLY)								1	
		(OPTIONAL 5-96323-13)									
13	5-96323-13	. FRAME, (LH ONLY)								1	
		(OPTIONAL TO 5-96323-3)									
13	5-96323-4	. FRAME, (RH ONLY)								1	
		(OPTIONAL 5-96323-14)									
13	5-96323-14	. FRAME, (RH ONLY)								1	
		(OPTIONAL TO 5-96323-4)									
14	5-96323-5	. FRAME, SLIDING WINDOW (LH ONLY)								1	
14	5-96323-6	. FRAME, SLIDING WINDOW (RH ONLY)								1	
15	5-96323-7	. FRAME, (LH ONLY)								1	
		(OPTIONAL 5-96323-15)									
15	5-96323-15	. FRAME, (LH ONLY)								1	
		(OPTIONAL TO 5-96323-7)									
15	5-96323-8	. FRAME, (RH ONLY)								1	
		(OPTIONAL 5-96323-16)									
15	5-96323-16	. FRAME, (RH ONLY)								1	
		(OPTIONAL TO 5-96323-8)									

MISSING ITEM NUMBERS ARE NOT APPLICABLE



PARTS CATALOG

FIGURE & ITEM NO.	MANUFACTURER'S PART NUMBER	NOMENCLATURE							EFF FROM TO	UNITS PER ASSY
		1	2	3	4	5	6	7		
4 16	5-96323-9		1
			1
16	5-96323-11		1
16	5-96323-10		1
16	5-96323-12		1
17	5-71762-25		1
17	5-71762-26		1
17A	65-19961-1		1
17A	65-19961-2		1
18	5-89355-23		1
18	5-89355-24		1
18A	10-1675-5		1
18A	PSE2-1		1
18A	10-1675-5		1
18A	PSE2-1		1
19	69-16699-1		1
19	69-16699-2		1
20	69-16699-3		1
20	69-16699-4		1

MISSING ITEM NUMBERS ARE NOT APPLICABLE

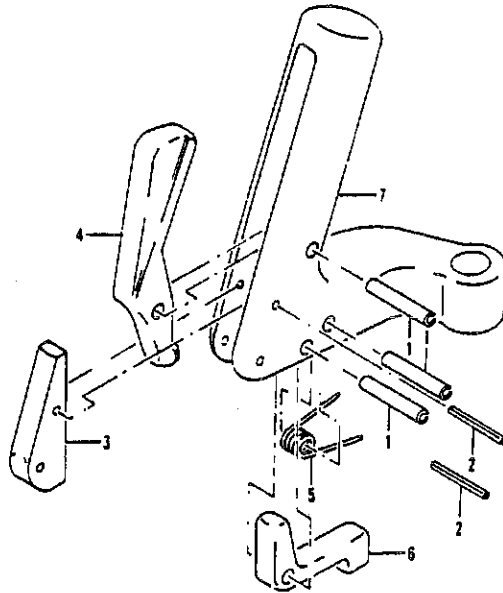
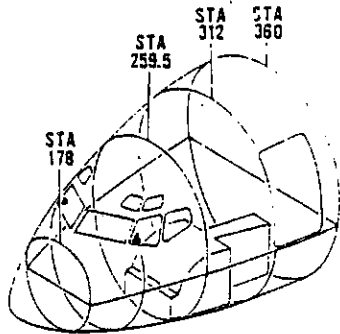


FIGURE 5. HANDLE ASSY, SLIDING WINDOW



PARTS CATALOG

FIGURE & ITEM NO.	MANUFACTURER'S PART NUMBER	NOMENCLATURE	EFF FROM TO	UNITS
				PER ASSY
5	9-64301-3004	HANDLE ASSY, SLIDING WINDOW (LH) (SEE FIG. 3, ITEM 24)		RF
1	BACP18L12P0750	. PIN, (LH ONLY).		3
2	BACP18L6P0687	. PIN, (LH ONLY).		2
3	6-83220-2000	. SPACER, SLIDING WINDOW HANDLE (LH ONLY)		1
4	9-64303-3	. TRIGGER, SLIDING WINDOW HANDLE (LH ONLY)		1
5	6-83221-1	. SPRING, SLIDING WINDOW HANDLE (LH ONLY)		1
6	9-64304-3	. BOLT, SLIDING WINDOW HANDLE (LH ONLY)		1
7	9-64302-2	. HANDLE, SLIDING WINDOW (LH ONLY).		1

MISSING ITEM NUMBERS ARE NOT APPLICABLE

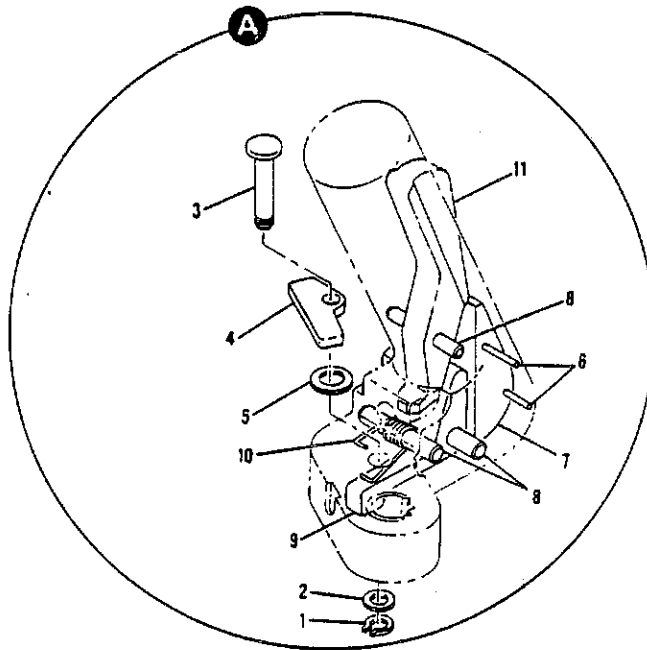
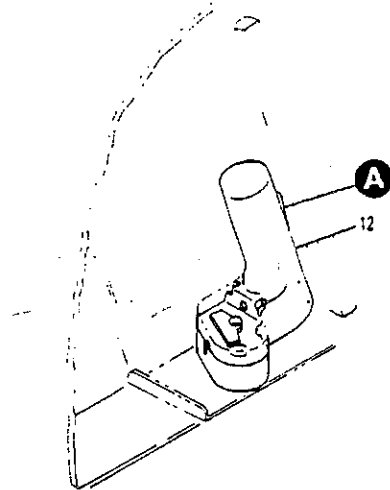
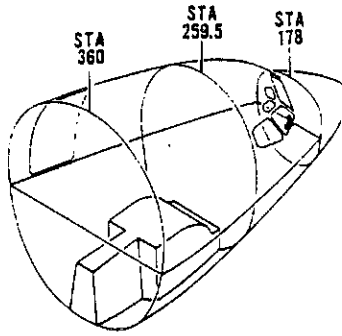


FIGURE 6. HANDLE ASSY, SLIDING WINDOW



PARTS CATALOG

FIGURE & ITEM NO.	MANUFACTURER'S PART NUMBER	NOMENCLATURE							EFF FROM TO	UNITS PER ASSY	
		1	2	3	4	5	6	7			
6	69-26410-1	HANDLE ASSY, SLIDING WINDOW (RH) (SEE FIG. 3, ITEM 25D)								RF	
	1	NAS670-25	. RING.								1
	2	BACW10P6ZS	. WASHER.								1
	3	66-19352-1	. PIN, SLIDING WINDOW IDLER CAM RETAINER (ALTERED FROM MS20392-3C37)								1
	4	66-19353-2	. CAM, SLIDING WINDOW IDLER								1
	5	AN960-416	. WASHER.								1
	6	NAS561P3-11	. PIN								2
	7	6-83220-2000	. SPACER, SLIDING WINDOW HANDLE								1
	8	NAS561P6-12	. PIN								3
	9	9-64304-3	. BOLT, SLIDING WINDOW HANDLE (OPTIONAL TO 69-67644-2)								1
	9	69-67644-2	. BOLT. (OPTIONAL TO 9-64304-3)								1
	10	6-83221-1	. SPRING, SLIDING WINDOW HANDLE								1
11	9-64303-3	. TRIGGER, SLIDING WINDOW HANDLE. (OPTIONAL TO 69-67643-2)								1	
11	69-67643-2	. TRIGGER (OPTIONAL TO 9-64303-3)								1	
12	65-33171-1	. HANDLE, SLIDING WINDOW.								1	

MISSING ITEM NUMBERS ARE NOT APPLICABLE

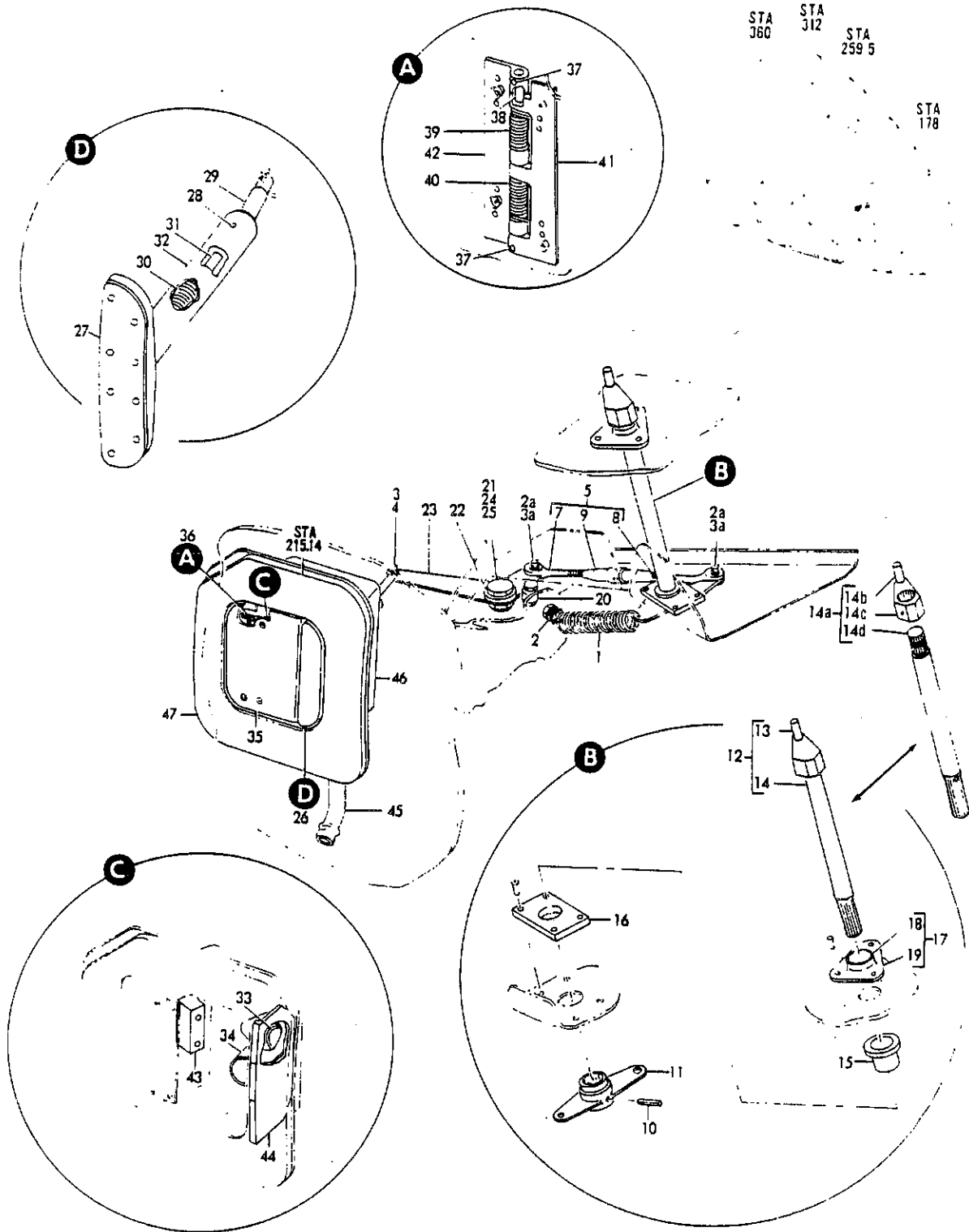


FIGURE 7. MECHANISM INSTL, SLIDING WINDOW EMERGENCY EXIT RELEASE

BOEING *Intercontinental* 
PARTS CATALOG

FIGURE & ITEM NO.	MANUFACTURER'S PART NUMBER	NOMENCLATURE							EFF FROM TO	UNITS PER ASSY
		1	2	3	4	5	6	7		
7	65-31914-2	MECHANISM INSTL, SLIDING WINDOW EMERGENCY EXIT RELEASE (SEE 53-2, FIG. 1, ITEM 6)								RF
1	66-21450-1	. SPRING, SECTION 41 SLIDING WINDOW RELEASE MECHANISM . EXTENSION								1
2	AN4284A	. BOLT.								1
	AN960PD10L	ATTACHING PARTS								
	NAS679A3W	. WASHER.								1
		. NUT								1
2A	MS20392-2C11	. PIN								2
3	MS20392-1C11	. PIN								1
3A	AN960-10L	. WASHER.								2
4	AN960-4L	. WASHER.								1
5	66-19424-1	. TURNBUCKLE ASSY, SLIDING WINDOW RELEASE MECHANISM .								1
7	AN161-16RS	. FORK.								1
8	AN161-16LL	. FORK.								1
9	AN155-16S	. BARREL.								1
10	NAS561P2-15	. PIN, (OPTIONAL MS24665-136)								1
11	69-26395-14	. FITTING, SLIDING WINDOW BELLCRANK							0150	1
		(OPTIONAL 69-26395-18)								
11	69-26395-18	. FITTING, SLIDING WINDOW BELLCRANK							0150	1
		(OPTIONAL TO 69-26395-14)								
11	69-26395-18	. FITTING, SLIDING WINDOW BELLCRANK							5199	1
14A	69-29553-1	. CAM SHAFT ASSY, SLIDING WINDOW Q TO R								1
14B	69-29553-2	. PIN, SLIDING WINDOW Q TO R CAM SHAFT.								1
14C	69-29552-1	. CAM, SLIDING WINDOW Q TO R.								1
14D	69-29551-1	. SHAFT, SLIDING WINDOW Q TO R.								1
15	BACB10D58F	. BEARING								1
16	65-31914-14	. FILLER, SLIDING WINDOW EMERGENCY EXIT RELEASE MECHANISM RADIUS								1
	MS20470D5	ATTACHING PARTS								
		. RIVET								4
17	69-26320-1	. SUPPORT ASSY, SLIDING WINDOW BEARING.								1
	MS20470D5	ATTACHING PARTS								
		. RIVET								3
18	BACB10D42F	. BEARING								1
19	69-26320-2	. SUPPORT, SLIDING WINDOW BEARING								1
20	66-19406-2	. BUSHING, SLIDING WINDOW BELLCRANK ECCENTRIC								1
	AN3-7A	ATTACHING PARTS								
	AN960-10L	. BOLT.								1
	MS35335-32	. WASHER.								2
	NAS679A3W	. WASHER.								1
		. NUT								1
21	AN6-10A	. BOLT.								1
22	66-19406-3	. BUSHING, SLIDING WINDOW BELLCRANK								1
23	66-19367-5	. BELLCRANK								1
24	AN960-616	. WASHER.								1
25	NAS679A6	. NUT								1
26	69-26454-3	. HANDLE ASSY, SLIDING WINDOW EXTERIOR.							0102	1
26	69-26454-7	. HANDLE ASSY, SLIDING WINDOW EXTERIOR.							0399	1
27	69-26454-2	. SKIN, SLIDING WINDOW EXTERIOR HANDLE.								1
	MS20426A3	ATTACHING PARTS								
		. RIVET								8
28	NAS561C4-6	. PIN								1
29	66-19359-1	. LINK, SLIDING WINDOW EXTERIOR HANDLE.								1
30	66-21449-1	. SPRING, SECTION 41 SLIDING WINDOW EXTERIOR HANDLE . COMPRESSION								1
31	66-19358-1	. PIN							0102	1
31	66-19358-2	. PIN							0399	1
32	69-26448-1	. HANDLE, SLIDING WINDOW EXTERIOR								1
33	BACR12BE115	. PACKING, (USED WITH 69-26398-3)								1
33	BACP11L114	. PACKING, (USED WITH 69-26398-1)								1
34	69-26398-3	. SLEEVE, EXTERIOR HANDLE								1
		(OPTIONAL 69-26398-1)								
34	69-26398-1	. SLEEVE, EXTERIOR HANDLE								1
		(OPTIONAL TO 69-26398-3)								
	AN3-3A	ATTACHING PARTS								
	BACN10R10L	. BOLT.								3
		. NUT								3

MISSING ITEM NUMBERS ARE NOT APPLICABLE



PARTS CATALOG

FIGURE & ITEM NO.	MANUFACTURER'S PART NUMBER	NOMENCLATURE							EFF FROM TO	UNITS PER ASSY		
		1	2	3	4	5	6	7				
R	7 35	65-31914-8	. DOOR, SLIDING WINDOW EMERGENCY EXIT RELEASE MECHANISM ATTACHING PARTS							5199	1	
		NAS514P632-6	. SCREW								2	
		BACS40B7-40	. SHIM.								AR	
		BACS47A8-8A	. SHIM.								AR	
		36	69-26677-2	. HINGE ASSY, RELEASE MECHANISM DOOR.							1	
			NAS514P632-8	. ATTACHING PARTS							2	
			BACS47A8-8A	. SCREW							AR	
				. SHIM.								
		37	MS16562-1	. . PIN							2	
		38	MS20253P2-220	. . PIN							1	
		39	66-19459-1	. . SPRING, SECTION 41 SLIDING WINDOW EXTERIOR ACCESS DOOR TORSION							1	
		40	66-19459-2	. . SPRING, SECTION 41 SLIDING WINDOW EXTERIOR ACCESS DOOR TORSION							1	
		41	69-26677-3	. . HINGE, RELEASE MECHANISM DOOR (ALTERED FROM MS20001PY2-300)							1	
		42	69-26677-4	. . HINGE, RELEASE MECHANISM DOOR (ALTERED FROM MS20001PY2-300)							1	
	43	66-19463-2	. FILLER, SLIDING WINDOW RELEASE MECHANISM EXTERIOR ACCESS DOOR STOP							1		
		MS20426A4	. ATTACHING PARTS							2		
			. RIVET									
	44	66-19463-3	. FILLER, SLIDING WINDOW RELEASE MECHANISM EXTERIOR ACCESS DOOR							1		
		MS20426A4	. ATTACHING PARTS							4		
			. RIVET									
R	45	65-31914-21	. HOSE, CONNECTING.							0150	1	
	45	65-31914-22	. HOSE, CONNECTING.							5199	1	
	46	65-31914-6	. PAN, SLIDING WINDOW EMERGENCY EXIT RELEASE MECHANISM							1		
	47	65-31914-10	. DOUBLER, SLIDING WINDOW EMERGENCY EXIT RELEASE MECHANISM							1		

MISSING ITEM NUMBERS ARE NOT APPLICABLE

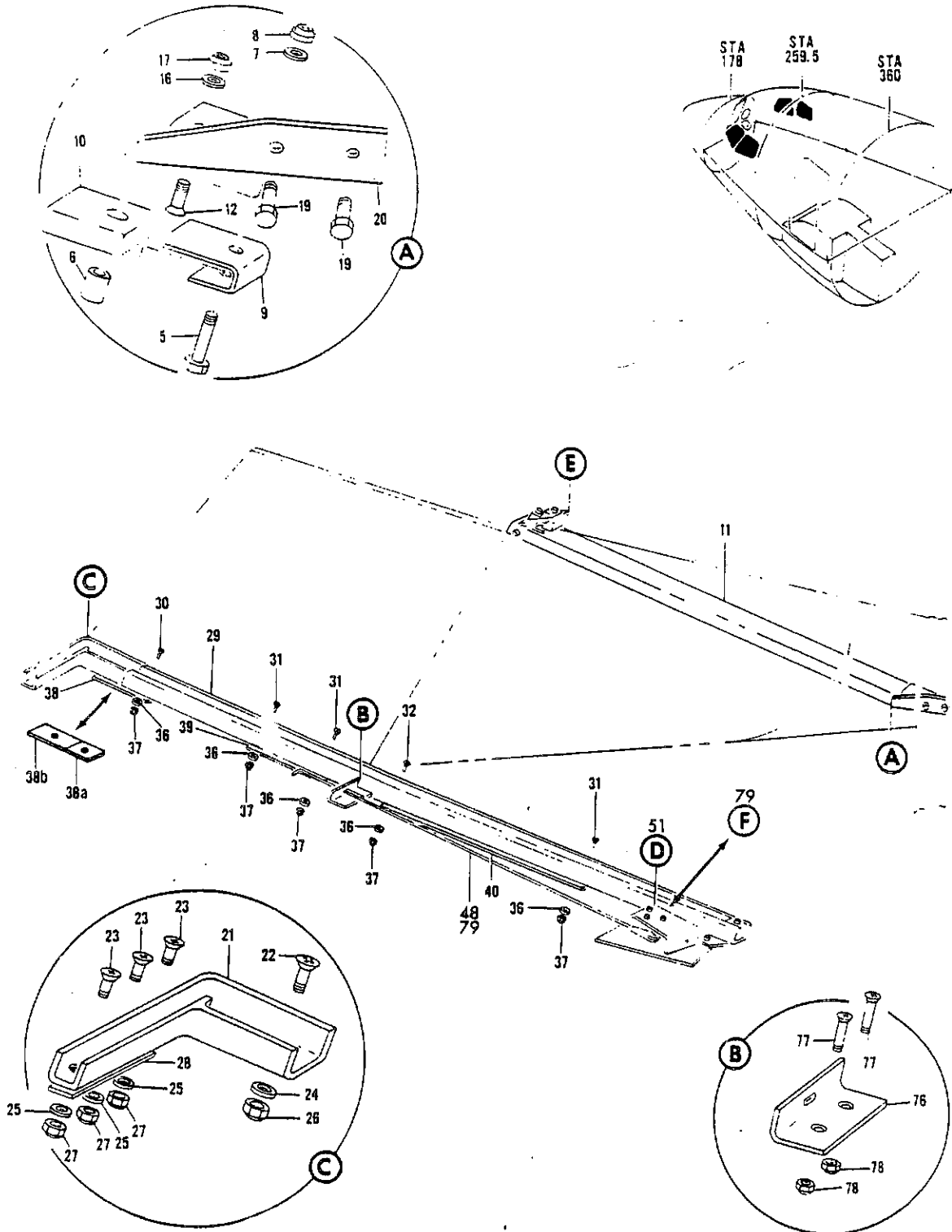


FIGURE 8. TRACK INSTL. SLIDING WINDSHIELD (SHEET 1)

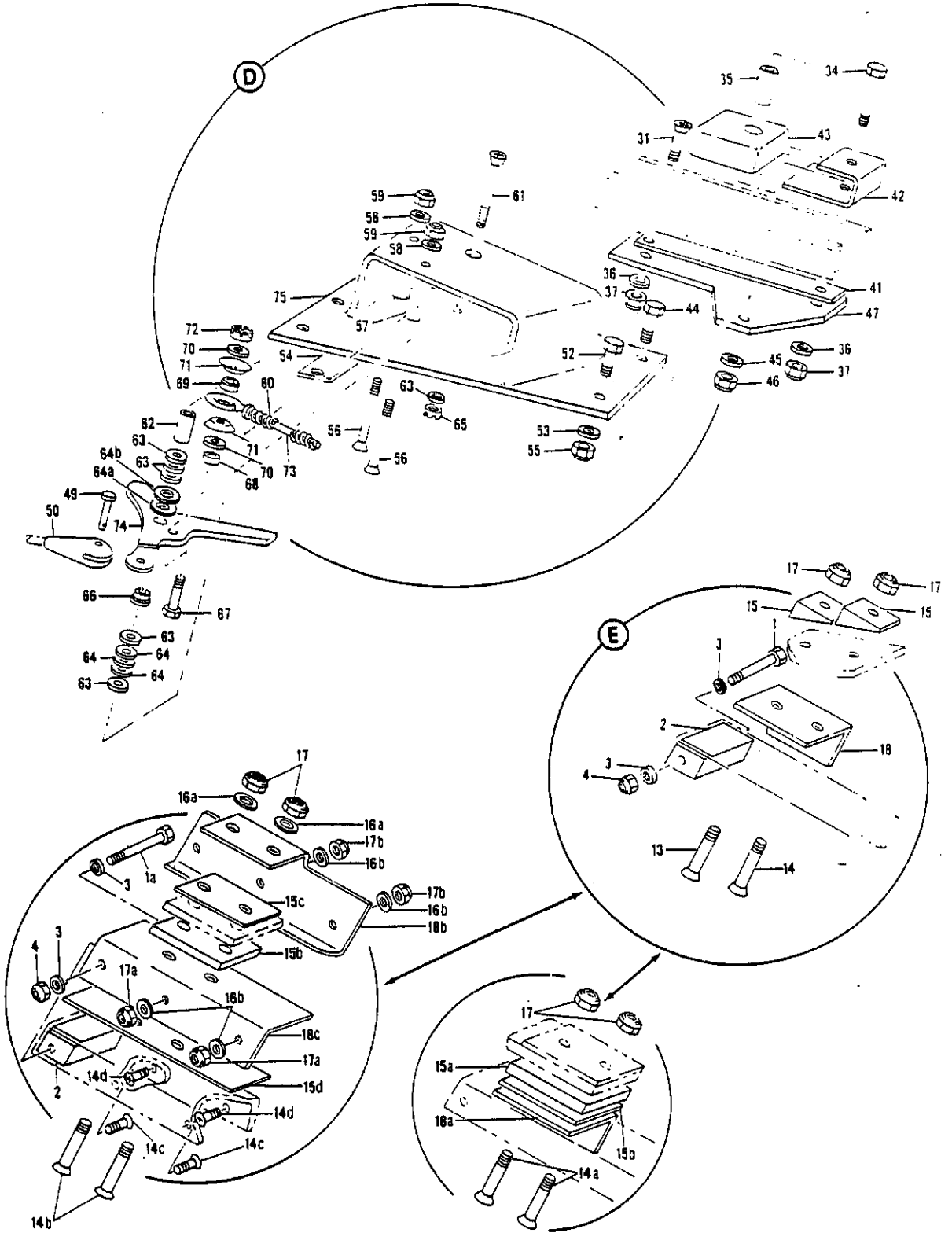


FIGURE 8. TRACK INSTL. SLIDING WINDSHIELD (SHEET 2)

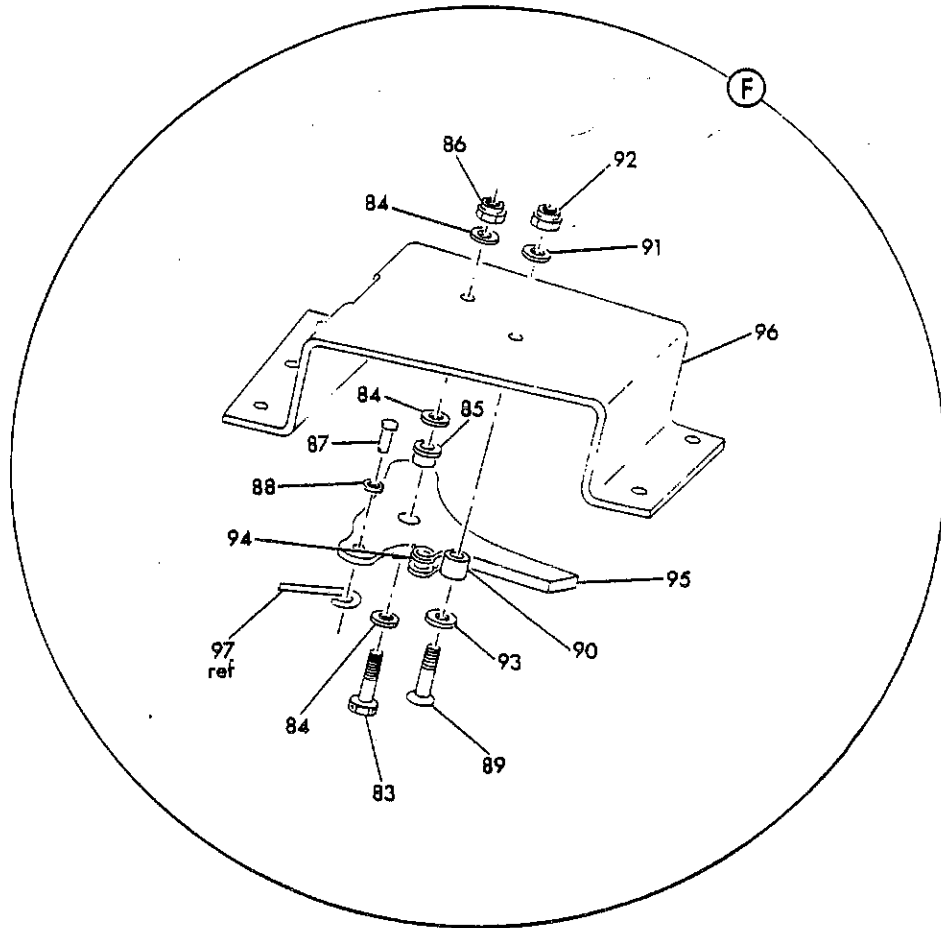


FIGURE 8 TRACK INSTL SLIDING WINDSHIELD (SHEET 3)

PARTS CATALOG

FIGURE & ITEM NO.	MANUFACTURER'S PART NUMBER	NOMENCLATURE	EFF FROM TO	UNITS PER ASSY
		1 2 3 4 5 6 7		
B	65-1200-1	TRACK INSTL, SLIDING WINDSHIELD (LH) (SEE 53-2, FIG. 1, ITEM 8 AND 53-2, FIG. 6, ITEM 35)		RF
	65-1200-2	TRACK INSTL, SLIDING WINDSHIELD (RH) (SEE 53-2, FIG. 1, ITEM 8 AND 53-2, FIG. 6, ITEM 35)		RF
1A	AN3-15A	. BOLT.		1
2	3-93749	. SPACER, SLIDING WINDOW TRACK.		1
3	AN960D10	. WASHER.		2
4	NAS679A3W	. NUT		1
5	AN4-12A	. BOLT.		1
6	NAS43-4-32	. SPACER.		1
7	AN960D416	. WASHER.		1
8	NAS679A4W	. NUT		1
9	9-65303-2	. CHANNEL, SLIDING WINDOW JOINT TIE		1
10	3-93533	. BUMPER, SLIDING WINDOW STOP		1
11	65-1200-3001	. TRACK ASSY, SLIDING WINDSHIELD UPPER (LH ONLY)		1
11	65-1200-3002	. TRACK ASSY, SLIDING WINDSHIELD UPPER (RH ONLY)		1
		ATTACHING PARTS		
12	NAS517-4-3	. SCREW		1
14B	BACB30LU4-10	. BOLT.		2
14C	NAS517-3-2	. SCREW		2
14D	NAS517-3-3	. SCREW		2
15B	BACS40J16-26	. SHIM.		AR
15C	BACS40B13-26	. SHIM.		AR
15D	BACS40A14-36	. SHIM.		AR
16	AN960D416	. WASHER.		1
16A	AN960D416L	. WASHER.		2
16B	AN960D10	. WASHER.		4
17	NAS679A4W	. NUT		3
17A	NAS679A3W	. NUT		2
17B	BACN10R10	. NUT		2
		-----*		
18B	66-13217-5	. ANGLE, SLIDING WINDOW REINFORCING (LH ONLY)		1
18B	66-13217-6	. ANGLE, SLIDING WINDOW REINFORCING (RH ONLY)		1
18C	66-13217-1	. ANGLE, SLIDING WINDOW REINFORCING (LH ONLY)		1
18C	66-13217-2	. ANGLE, SLIDING WINDOW REINFORCING (RH ONLY)		1
19	AN3-5A	. BOLT.		2
20	9-65303-3	. CLIP, SLIDING WINDOW JOINT TIE STOP (LH ONLY)		1
20	9-65303-4	. CLIP, SLIDING WINDOW JOINT TIE STOP (RH ONLY)		1
21	9-64325-7	. TRACK ASSY, SLIDING WINDOW (LH ONLY)		1
21	9-64325-8	. TRACK ASSY, SLIDING WINDOW (RH ONLY)		1
		ATTACHING PARTS		
22	NAS517-4-8	. SCREW		1
23	NAS517-3-11	. SCREW		3
24	AN960D416	. WASHER.		1
25	AN960D10	. WASHER.		3
26	NAS679A4W	. NUT		1
27	NAS679A3W	. NUT		3
		-----*		
28	BACS40A10-42	. SHIM.		AR
28	BACS40B10-42	. SHIM.		AR
28	BACS40C10-42	. SHIM.		AR
28	BACS40D10-42	. SHIM.		AR
28	BACS40F10-42	. SHIM.		AR
29	65-1200-17	. TRACK ASSY, SLIDING WINDSHIELD LOWER (LH ONLY)		1
29	65-1200-18	. TRACK ASSY, SLIDING WINDSHIELD LOWER (RH ONLY)		1
		ATTACHING PARTS		
30	NAS517-4-8	. SCREW		1
31	NAS517-4-9	. SCREW		4
32	NAS517-4-11	. SCREW		1
34	AN4-14A	. BOLT.		1
35	NAS43-4-32	. SPACER.		1
36	AN960D416	. WASHER.		7
37	NAS679A4W	. NUT		7
		-----*		
38A	BACS40A13-19	. SHIM.		AR
38A	BACS40B13-19	. SHIM.		AR
38A	BACS40C13-19	. SHIM.		AR
38B	BACS40A13-29	. SHIM.		AR
38B	BACS40B13-29	. SHIM.		AR
38B	BACS40C13-29	. SHIM.		AR
39	BACS40A13-96	. SHIM.		AR
39	BACS40B13-96	. SHIM.		AR
39	BACS40C13-96	. SHIM.		AR
39	BACS40F13-96	. SHIM.		AR

MISSING ITEM NUMBERS ARE NOT APPLICABLE

BOEING **707**
Intercontinental 
PARTS CATALOG

FIGURE & ITEM NO.	MANUFACTURER'S PART NUMBER	NOMENCLATURE	EFF FROM TO	UNITS PER ASSY
8	40	BACS40A13-154		AR
	40	BACS40B13-154		AR
	40	BACS40C13-154		AR
	40	BACS40F13-154		AR
	41	BACS40A12-82		AR
	41	BACS40B12-82		AR
	41	BACS40C12-82		AR
	41	BACS40F12-82		AR
	42	9-65303-2		1
	43	3-93533		1
	44	NAS1104-5W		1
	45	AN960D416		1
	46	NAS679A4W		1
	47	30-1569		1
R	48	6-84300	5199	1
	49	AN393-9		1
	50	65-1200-21		1
R	51	9-66362-3	5199	1
R	51	9-66362-4	5199	1
		ATTACHING PARTS		
R	52	NAS1104-5W	5199	4
R	53	AN960D416	5199	4
R	54	65-1200-6	5199	1
R	55	NAS679A4W	5199	4
		-----*		
R	56	BACB30ABP3-22A	5199	2
R	57	NAS43-3-80	5199	2
R	58	AN960D10	5199	2
R	59	NAS679A3W	5199	2
R	60	3-94318	5199	1
R	61	BACB30ABP3-22	5199	1
R	62	NAS43-3-39	5199	1
R	63	AN960D10	5199	6
R	64	AN960D10L	5199	3
R	64A	AN960C516L	5199	1
R	64B	AN960D516L	5199	1
R	65	AN320-3	5199	1
R	66	NAS77-3-22	5199	1
R	67	NAS1103-9DW	5199	1
R	68	NAS43-3-7	5199	1
R	69	NAS43-3-12	5199	1
R	70	AN960-10	5199	2
R	71	BACW10Q3	5199	2
R	72	AN320-3	5199	1
R	73	3-94303	5199	1
R	74	6-84172-3	5199	1
R	74	6-84172-4	5199	1
R	75	6-84173-1	5199	1
R	75	6-84173-2	5199	1
R	76	63-1117		1
		SUPPORT, SLIDING WINDOW ROD LATCH		
		ATTACHING PARTS		
	77	NAS517-4-9		2
	78	NAS679A4W		2
		SCREW		
		NUT		
		-----*		

MISSING ITEM NUMBERS ARE NOT APPLICABLE

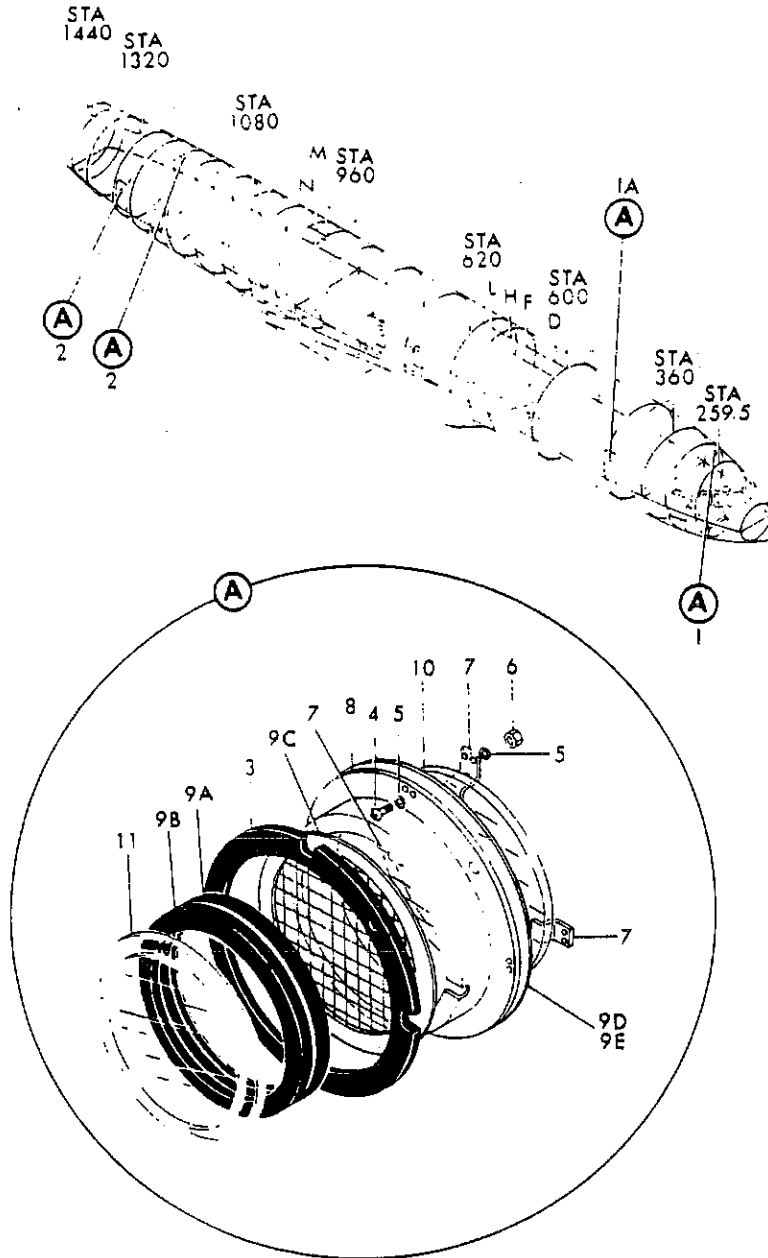


FIGURE 9. WINDOW ASSY, 5 IN. DIAMETER OBSERVATION



PARTS CATALOG

FIGURE & ITEM NO.	MANUFACTURER'S PART NUMBER	NOMENCLATURE	EFF FROM TO	UNITS
				PER ASSY
R R R	9 1	65-2863		RF
	1	65-2863-3	0150	RF
	1A	65-2863		RF
	2	65-2863-1		RF
	3	66-2646	. SEAL, OBSERVATION WINDOW.	1
	4	NAS600-8	. SCREW	6
	5	AN960-4	. WASHER.	12
	6	NAS679A04W	. NUT	6
	7	63-1478	. CLIP, OBSERVATION WINDOW (USED ON 65-2863, -3, -4).	3
	7	63-1478-800	. CLIP, OBSERVATION WINDOW (USED ON 65-2863-1).	3
	8	69-1983	. RETAINER, (USED ON 65-2863, -1, -3)	1
9	66-1921-1	. SEAL, (USED ON 65-2863, -1, -3)	1	
9D	BACS40A12-12	. SHIM.	1	
9E	BACS40B12-12	. SHIM.	1	
10	69-1083	. PANE, OBSERVATION WINDOW INNER.	1	
11	69-1084	. PANE, OBSERVATION WINDOW OUTER.	1	

MISSING ITEM NUMBERS ARE NOT APPLICABLE

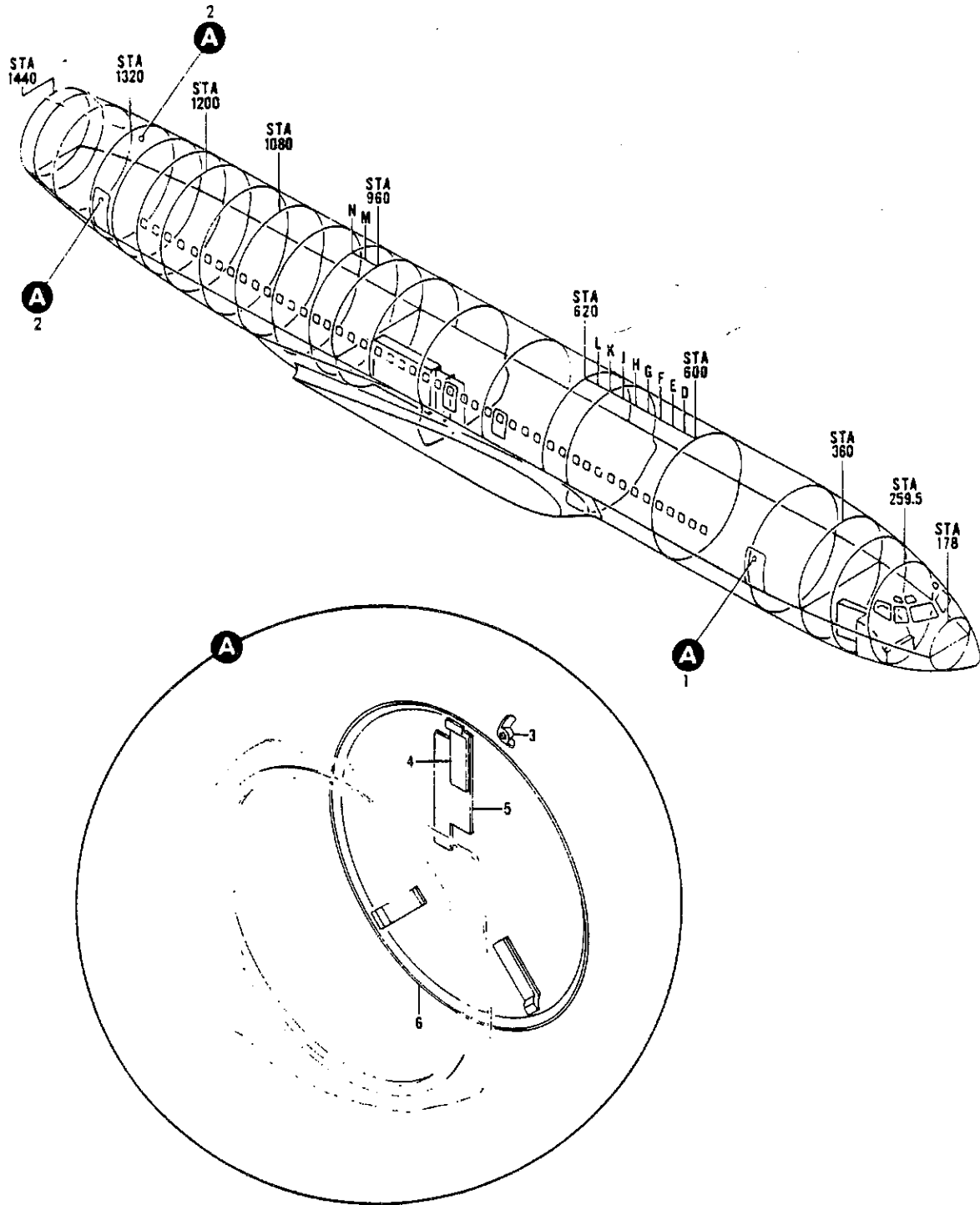


FIGURE 10. COVER INSTL. ENTRY AND GALLEY DOOR WINDOWS

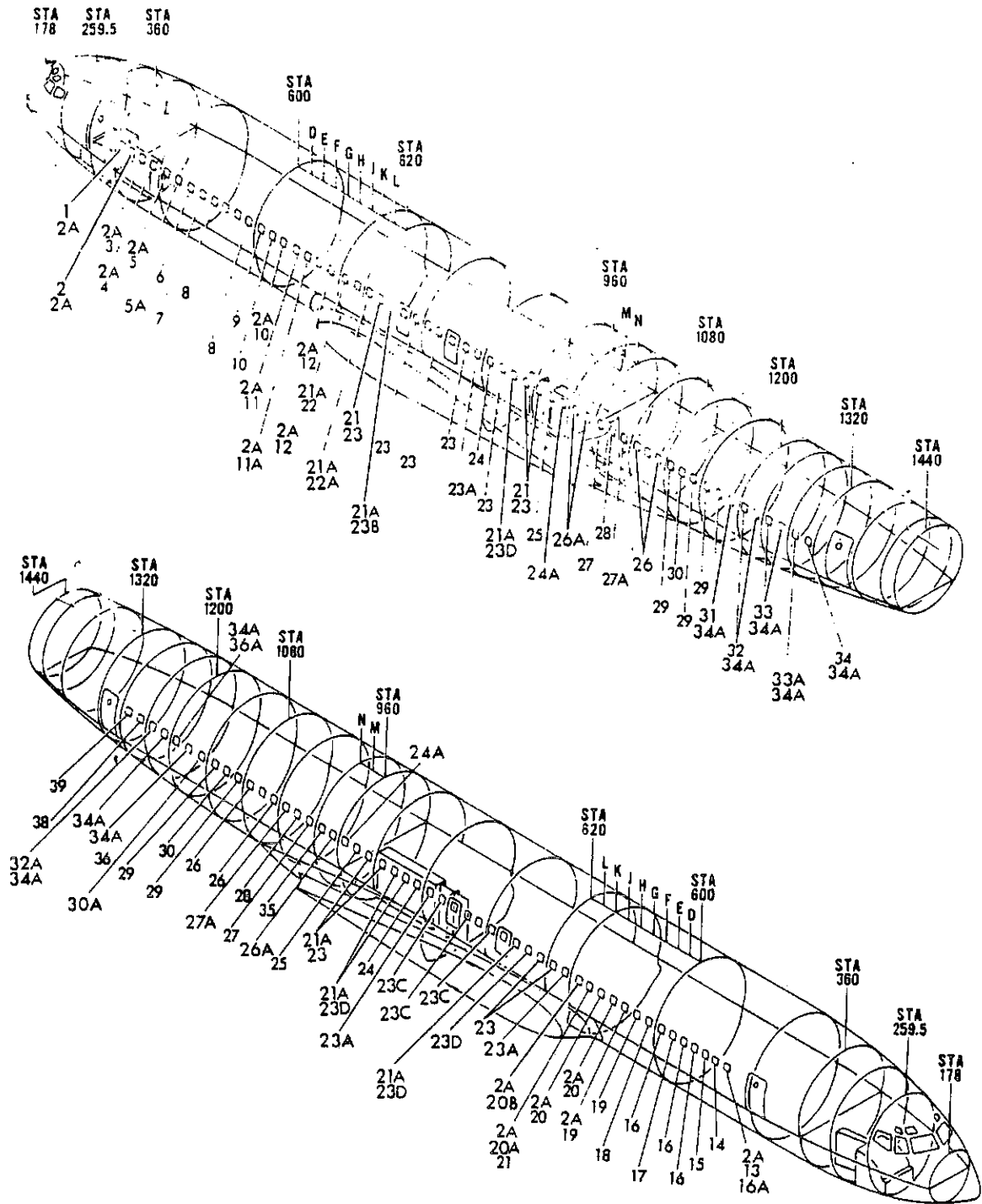


FIGURE 10A. WINDOW INSTL, SECTION 43 AND 46 PASSENGER (INNER)



PARTS CATALOG

FIGURE & ITEM NO.	MANUFACTURER'S PART NUMBER	NOMENCLATURE							EFF FROM TO	UNITS PER ASSY
		1	2	3	4	5	6	7		
10A	65-65400-20	WINDOW INSTL, SECTION 43 AND 46 PASSENGER (INNER) . . .								RF
		. WINDOW INSTL, SECTION 43 PASSENGER INNER (SEE 53-1, FIG. 2, ITEM 30)								
1	65-3300-5	. . WINDOW INSTL, 9.0 X 12.50 (LIGHT FRAME) (SEE FIG. 11, 15 AND 19)								1
2	65-3300-5	. . WINDOW INSTL, 9.0 X 12.50 (LIGHT FRAME) (SEE FIG. 11, 15 AND 19)								1
3	65-3300-5	. . WINDOW INSTL, 9.0 X 12.50 (LIGHT FRAME) (SEE FIG. 11, 15 AND 19)								1
4	65-3300-5	. . WINDOW INSTL, 9.0 X 12.50 (LIGHT FRAME) (SEE FIG. 11, 15 AND 19)								1
5	65-3300-10	. . WINDOW INSTL, 9.0 X 12.50 (INTERMEDIATE FRAME) (SEE FIG. 11, 15 AND 19)								1
5A	65-3300-6	. . WINDOW INSTL, 9.0 X 12.50 (HEAVY FRAME) (SEE FIG. 11, 15 AND 19)								1
6	65-3300-5	. . WINDOW INSTL, 9.0 X 12.50 (LIGHT FRAME) (SEE FIG. 11, 15 AND 19)								1
7	65-3300-5	. . WINDOW INSTL, 9.0 X 12.50 (LIGHT FRAME) (SEE FIG. 11, 15 AND 19)								1
8	65-3300-5	. . WINDOW INSTL, 9.0 X 12.50 (LIGHT FRAME) (SEE FIG. 11, 15 AND 19)								4
9	65-3300-5	. . WINDOW INSTL, 9.0 X 12.50 (LIGHT FRAME) (SEE FIG. 11, 15 AND 19)								1
10	65-3300-6	. . WINDOW INSTL, 9.0 X 12.50 (HEAVY FRAME) (SEE FIG. 11, 15 AND 19)								2
11	65-3300-6	. . WINDOW INSTL, 9.0 X 12.50 (HEAVY FRAME) (SEE FIG. 11, 15 AND 19)								1
11A	65-3300-10	. . WINDOW INSTL, 9.0 X 12.50 (INTERMEDIATE FRAME) (SEE FIG. 11, 15 AND 19)								1
12	65-3300-10	. . WINDOW INSTL, 9.0 X 12.50 (INTERMEDIATE FRAME) (SEE FIG. 11, 15 AND 19)								2
13	65-3300-20	. . PLATE INSTL, 9.0 X 12.50 (LIGHT WINDOW PLUG (SEE FIG. 11 AND 15)								1
14	65-3300-5	. . WINDOW INSTL, 9.0 X 12.50 (LIGHT FRAME) (SEE FIG. 11 AND 15)							0150	1
14	65-3300-20	. . PLATE INSTL, 9.0 X 12.50 (LIGHT WINDOW PLUG) (SEE FIG. 11 AND 15)							5199	1
15	65-3300-5	. . WINDOW INSTL, 9.0 X 12.50 (LIGHT FRAME) (SEE FIG. 11 AND 15)								1
16	65-3300-5	. . WINDOW INSTL, 9.0 X 12.50 (LIGHT FRAME) (SEE FIG. 11 AND 15)								3
17	65-3300-5	. . WINDOW INSTL, 9.0 X 12.50 (LIGHT FRAME) (SEE FIG. 11 AND 15)								1
18	65-3300-5	. . WINDOW INSTL, 9.0 X 12.50 (LIGHT FRAME) (SEE FIG. 11 AND 15)								1
19	65-3300-5	. . WINDOW INSTL, 9.0 X 12.50 (LIGHT FRAME) (SEE FIG. 11 AND 15)								2
20	65-3300-5	. . WINDOW INSTL, 9.0 X 12.50 (LIGHT FRAME) (SEE FIG. 11, 15 AND 19)								2
20B	65-3300-10	. . WINDOW INSTL, 9.0 X 12.50 (INTERMEDIATE FRAME) (SEE FIG. 11, 15 AND 19)								1
21	65-3300-10	. . WINDOW INSTL, 9.0 X 12.50 (INTERMEDIATE FRAME) (SEE FIG. 11, 15 AND 19)								1
22	65-65400-22	. WINDOW INSTL, SECTION 43 (SEE 53-1, FIG. 2, ITEM 30A)								RF
	65-3300-6	. . WINDOW INSTL, 9.0 X 12.50 (HEAVY FRAME) (SEE FIG. 11, 15 AND 19)								2
22A	65-3300-6	. . WINDOW INSTL, 9.0 X 12.50 (HEAVY FRAME) (SEE FIG. 11, 15 AND 19)								1
23	65-3300-6	. . WINDOW INSTL, 9.0 X 12.50 (HEAVY FRAME) (SEE FIG. 11, 15 AND 19)								11
23A	65-3300-6	. . WINDOW INSTL, 9.0 X 12.50 (HEAVY FRAME) (SEE FIG. 11, 15 AND 19)								3
23B	65-3300-6	. . WINDOW INSTL, 9.0 X 12.50 (HEAVY FRAME) (SEE FIG. 11, 15 AND 19)								1
23C	65-3300-6	. . WINDOW INSTL, 9.0 X 12.50 (HEAVY FRAME) (SEE FIG. 11, 15 AND 19)								5
23D	65-3300-6	. . WINDOW INSTL, 9.0 X 12.50 (HEAVY FRAME) (SEE FIG. 11, 15 AND 19)								5
24	65-3300-6	. . WINDOW INSTL, 9.0 X 12.50 (HEAVY FRAME) (SEE FIG. 11 AND 15)								2
24A	65-3300-6	. . WINDOW INSTL, 9.0 X 12.50 (HEAVY FRAME) (SEE FIG. 11, 15 AND 19)								2
25	65-3300-6	. . WINDOW INSTL, 9.0 X 12.50 (HEAVY FRAME) (SEE FIG. 11, 15 AND 19)								2

R
R
R
R

MISSING ITEM NUMBERS ARE NOT APPLICABLE



PARTS CATALOG

FIGURE & ITEM NO.	MANUFACTURER'S PART NUMBER	NOMENCLATURE							EFF FROM TO	UNITS PER ASSY	
		1	2	3	4	5	6	7			
10A	65-65400-24	. WINDOW INSTL, SECTION 46 PASSENGER INNER (SEE 53-1, FIG. 3, ITEM 12)								RF	
26	65-3300-10	. . WINDOW INSTL, 9.0 X 12.50 (INTERMEDIATE FRAME) (SEE FIG. 11, 15 AND 19)								6	
26A	65-3300-10	. . WINDOW INSTL, 9.0 X 12.50 (INTERMEDIATE FRAME) (SEE FIG. 11, 15 AND 19)								3	
R R	27	65-3300-10	. . WINDOW INSTL, 9.0 X 12.50 (INTERMEDIATE FRAME) (SEE FIG. 11 AND 15)							5199	2
	27	65-3300-6	. . WINDOW INSTL, 9.0 X 12.50 (HEAVY FRAME) (SEE FIG. 11, 15 AND 19)								2
	27A	65-3300-6	. . WINDOW INSTL, 9.0 X 12.50 (HEAVY FRAME) (SEE FIG. 11, 15 AND 19)								2
	28	65-3300-10	. . WINDOW INSTL, 9.0 X 12.50 (INTERMEDIATE FRAME) (SEE FIG. 11, 15 AND 19)								2
	29	65-3300-10	. . WINDOW INSTL, 9.0 X 12.50 (INTERMEDIATE FRAME) (SEE FIG. 11, 15 AND 19)								5
	30	65-3300-10	. . WINDOW INSTL, 9.0 X 12.50 (INTERMEDIATE FRAME) (SEE FIG. 11, 15 AND 19)								2
	30A	65-3300-10	. . WINDOW INSTL, 9.0 X 12.50 (INTERMEDIATE FRAME) (SEE FIG. 11, 15 AND 19)								1
	31	65-3300-10	. . WINDOW INSTL, 9.0 X 12.50 (INTERMEDIATE FRAME) (SEE FIG. 11, 15 AND 19)								2
	32	65-3300-5	. . WINDOW INSTL, 9.0 X 12.50 (LIGHT FRAME) (SEE FIG. 11, 15 AND 19)								2
	32A	65-3300-5	. . WINDOW INSTL, 9.0 X 12.50 (LIGHT FRAME) (SEE FIG. 11, 15 AND 19)								1
R R R R R R	33	65-3300-5	. . WINDOW INSTL, 9.0 X 12.50 (LIGHT FRAME) (SEE FIG. 11, 15 AND 19)							5199	2
	33	65-3300-20	. . PLATE INSTL, 9.0 X 12.50 (LIGHT WINDOW PLUG) (SEE FIG. 15)							0150	2
	33A	65-3300-5	. . WINDOW INSTL, 9.0 X 12.50 (LIGHT FRAME) (SEE FIG. 11 AND 15)							5199	1
	33A	65-3300-20	. . PLATE INSTL, 9.0 X 12.50 (LIGHT WINDOW PLUG) (SEE FIG. 15)							0150	1
	34	65-3300-20	. . PLATE INSTL, 9.0 X 12.50 (LIGHT WINDOW PLUG) (SEE FIG. 11 AND 15)								1
	35	65-3300-10	. . WINDOW INSTL, 9.0 X 12.50 (INTERMEDIATE FRAME) (SEE FIG. 11, 15 AND 19)								1
	36	65-3300-10	. . WINDOW INSTL, 9.0 X 12.50 (INTERMEDIATE FRAME) (SEE FIG. 11, 15 AND 19)								1
	36A	65-3300-10	. . WINDOW INSTL, 9.0 X 12.50 (INTERMEDIATE FRAME) (SEE FIG. 11, 15 AND 19)								1
	37	65-3300-5	. . WINDOW INSTL, 9.0 X 12.50 (LIGHT FRAME) (SEE FIG. 11, 15 AND 19)								1

MISSING ITEM NUMBERS ARE NOT APPLICABLE

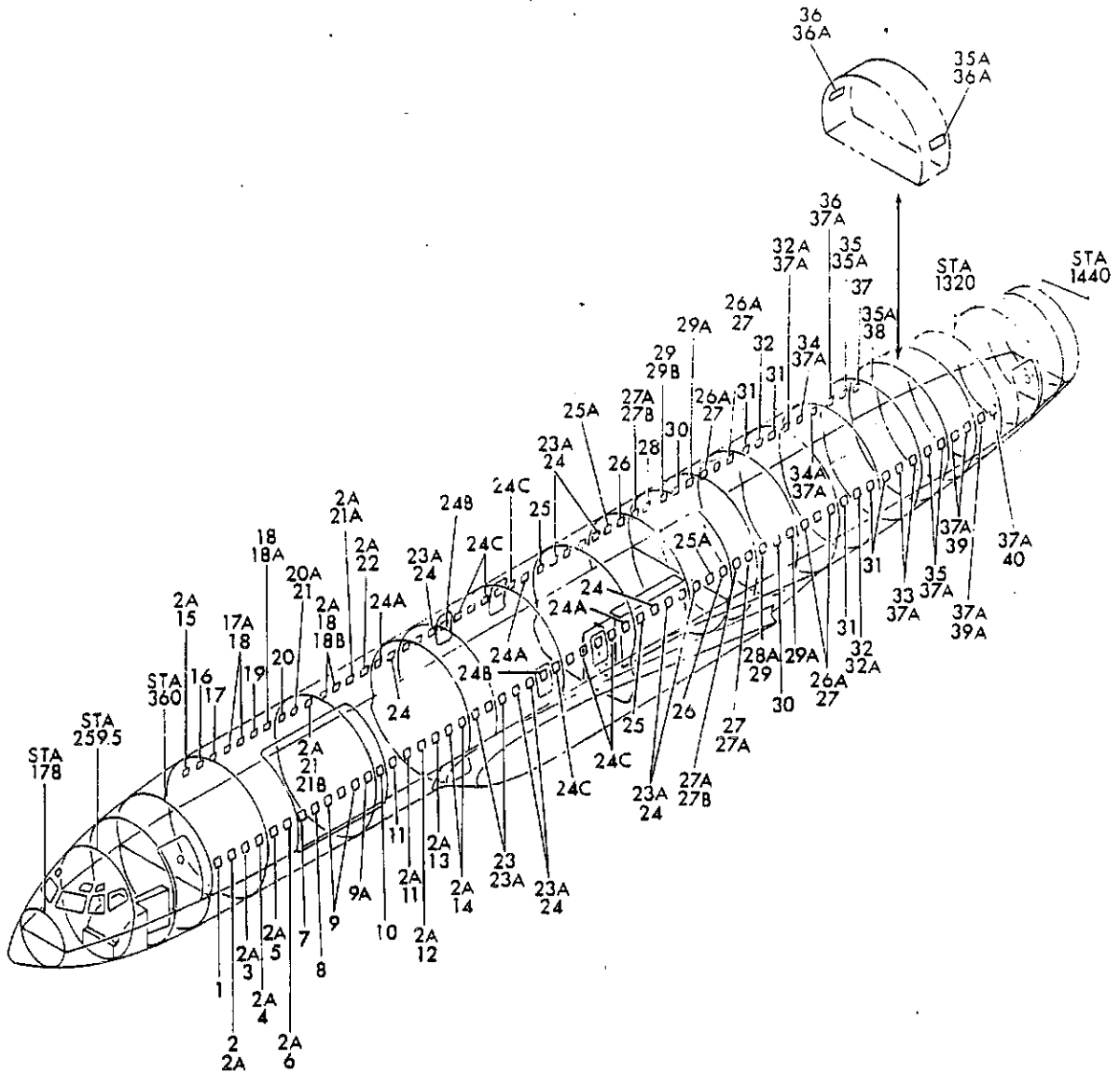


FIGURE 10B. WINDOW INSTL, SECTION 43 AND 46 PASSENGER (OUTER)



PARTS CATALOG

FIGURE & ITEM NO.	MANUFACTURER'S PART NUMBER	NOMENCLATURE							EFF FROM TO	UNITS PER ASSY
		1	2	3	4	5	6	7		
10B	65-65400-19	WINDOW INSTL, SECTION 43 AND 46 PASSENGER (OUTER) . . .								RF
		. WINDOW INSTL, SECTION 43 PASSENGER (OUTER) (SEE 53-2, FIG. 2, ITEM 78A)								
1	65-3300	. . WINDOW INSTL, 9.0 X 12.50 (LIGHT FRAME) (SEE FIG. . 11, 15 AND 19)								1
2	65-3300	. . WINDOW INSTL, 9.0 X 12.50 (LIGHT FRAME) (SEE FIG. . 11, 15 AND 19)								1
3	65-3300	. . WINDOW INSTL, 9.0 X 12.50 (LIGHT FRAME) (SEE FIG. . 11, 15 AND 19)								1
4	65-3300	. . WINDOW INSTL, 9.0 X 12.50 (LIGHT FRAME) (SEE FIG. . 11, 15 AND 19)								1
5	65-3300-9	. . WINDOW INSTL, 9.0 X 12.50 (INTERMEDIATE FRAME) (SEE FIG. 11, 15 AND 19)								1
6	65-3300-1	. . WINDOW INSTL, 9.0 X 12.50 (HEAVY FRAME) (SEE FIG. . 11, 15 AND 19)								1
7	65-3300	. . WINDOW INSTL, 9.0 X 12.50 (LIGHT FRAME) (SEE FIG. . 11, 15 AND 19)								1
8	65-3300	. . WINDOW INSTL, 9.0 X 12.50 (LIGHT FRAME) (SEE FIG. . 11, 15 AND 19)								1
9	65-3300	. . WINDOW INSTL, 9.0 X 12.50 (LIGHT FRAME) (SEE. . . . FIG. 11, 15 AND 19)								3
9A	65-3300	. . WINDOW INSTL, 9.0 X 12.50 (LIGHT WINDOW PLUG) (SEE FIG. 11 AND 15)								1
10	65-3300	. . WINDOW INSTL, 9.0 X 12.50 (LIGHT FRAME) (SEE FIG. . 11, 15 AND 19)								1
11	65-3300-1	. . WINDOW INSTL, 9.0 X 12.50 (HEAVY FRAME) (SEE FIG. . 11, 15 AND 19)								2
12	65-3300-1	. . WINDOW INSTL, 9.0 X 12.50 (HEAVY FRAME) (SEE FIG. . 11, 15 AND 19)								1
13	65-3300-9	. . WINDOW INSTL, 9.0 X 12.50 (INTERMEDIATE FRAME) (SEE FIG. 11, 15 AND 19)								1
14	65-3300-9	. . WINDOW INSTL, 9.0 X 12.50 (INTERMEDIATE FRAME) (SEE FIG. 11, 15 AND 19)								2
15	65-3300-21	. . PLATE INSTL, 9.0 X 12.50 (LIGHT WINDOW PLUG) (SEE . FIG. 11 AND 15)								1
16	65-3300	. . WINDOW INSTL, 9.0 X 12.50 (LIGHT FRAME) (SEE FIG. . 11, 15 AND 19)								1
17	65-3300	. . WINDOW INSTL, 9.0 X 12.50 (LIGHT FRAME) (SEE FIG. . 11, 15 AND 19)								1
17A	65-3300	. . WINDOW INSTL, 9.0 X 12.50 (LIGHT FRAME) (SEE FIG. . 11, 15 AND 19)								5
18A	65-3300	. . WINDOW INSTL, 9.0 X 12.50 (LIGHT FRAME) (SEE FIG. . 11, 15 AND 19)								1
18B	65-3300	. . WINDOW INSTL, 9.0 X 12.50 (LIGHT FRAME) (SEE FIG. . 11 AND 15)								2
19	65-3300	. . WINDOW INSTL, 9.0 X 12.50 (LIGHT FRAME) (SEE FIG. . 11, 15 AND 19)								1
20	65-3300	. . WINDOW INSTL, 9.0 X 12.50 (LIGHT FRAME) (SEE FIG. . 11, 15 AND 19)								1
20A	65-3300	. . WINDOW INSTL, 9.0 X 12.50 (LIGHT FRAME) (SEE FIG. . 11, 15 AND 19)								1
21A	65-3300-9	. . WINDOW INSTL, 9.0 X 12.50 (INTERMEDIATE FRAME) (SEE FIG. 11, 15 AND 19)								1
21B	65-3300	. . WINDOW INSTL, 9.0 X 12.50 (LIGHT FRAME) (SEE FIG. . 11, 15 AND 19)								1
22	65-3300-9	. . WINDOW INSTL, 9.0 X 12.50 (INTERMEDIATE FRAME) (SEE FIG. 11, 15 AND 19)								1
	65-65400-21	. WINDOW INSTL, SECTION 43 PASSENGER (OUTER) (SEE 53-2, FIG. 2, ITEM 78B)								RF
23	65-3300-1	. . WINDOW INSTL, 9.0 X 12.50 (HEAVY FRAME) (SEE FIG. . 11, 15 AND 19)								3
24	65-3300-1	. . WINDOW INSTL, 9.0 X 12.50 (HEAVY FRAME) (SEE FIG. . 11, 15 AND 19)								12
24A	65-3300-1	. . WINDOW INSTL, 9.0 X 12.50 (HEAVY FRAME) (SEE FIG. . 11, 15 AND 19)								3
25	65-3300-1	. . WINDOW INSTL, 9.0 X 12.50 (HEAVY FRAME) (SEE FIG. . 11 AND 15)								2
25A	65-3300-1	. . WINDOW INSTL, 9.0 X 12.50 (HEAVY FRAME) (SEE FIG. . 11, 15 AND 19)								2
26	65-3300-1	. . WINDOW INSTL, 9.0 X 12.50 (HEAVY FRAME) (SEE FIG. . 11, 15 AND 19)								2
	65-65400-23	. WINDOW INSTL, SECTION 46 PASSENGER (OUTER) (SEE 53-2, FIG. 3, ITEM 1C)								RF

MISSING ITEM NUMBERS ARE NOT APPLICABLE



BOEING *Intercontinental* **707**

PARTS CATALOG

FIGURE & ITEM NO.	MANUFACTURER'S PART NUMBER	NOMENCLATURE							EFF FROM TO	UNITS PER ASSY
		1	2	3	4	5	6	7		
108 26A	65-3300-9	. .	WINDOW	INSTL,	9.0 X	12.50	(INTERMEDIATE FRAME)	(SEE FIG. 11, 15 AND 19)		6
27A	65-3300-9	. .	WINDOW	INSTL,	9.0 X	12.50	(INTERMEDIATE FRAME)	(SEE FIG. 11, 15 AND 19)		3
27B	65-3300-9	. .	WINDOW	INSTL,	9.0 X	12.50	(INTERMEDIATE FRAME)	(SEE FIG. 11, 15 AND 19)		2
28	65-3300-9	. .	WINDOW	INSTL,	9.0 X	12.50	(INTERMEDIATE FRAME)	(SEE FIG. 11, 15 AND 19)		1
28A	65-3300-1	. .	WINDOW	INSTL,	9.0 X	12.50	(HEAVY FRAME)	(SEE FIG. 11, 15 AND 19)		1
29	65-3300-9	. .	WINDOW	INSTL,	9.0 X	12.50	(HEAVY FRAME)	(SEE FIG. 11, 15 AND 19)	5199	2
29A	65-3300-1	. .	WINDOW	INSTL,	9.0 X	12.50	(HEAVY FRAME)	(SEE FIG. 11 AND 15)	0150	2
29A	65-3300-9	. .	WINDOW	INSTL,	9.0 X	12.50	(HEAVY FRAME)	(SEE FIG. 11, 15 AND 19)	5199	2
29B	65-3300-1	. .	WINDOW	INSTL,	9.0 X	12.50	(HEAVY FRAME)	(SEE FIG. 11, 15 AND 19)		1
30	65-3300-9	. .	WINDOW	INSTL,	9.0 X	12.50	(INTERMEDIATE FRAME)	(SEE FIG. 11, 15 AND 19)	5199	2
31	65-3300-9	. .	WINDOW	INSTL,	9.0 X	12.50	(INTERMEDIATE FRAME)	(SEE FIG. 11, 15 AND 19)		5
32	65-3300-9	. .	WINDOW	INSTL,	9.0 X	12.50	(INTERMEDIATE FRAME)	(SEE FIG. 11, 15 AND 19)		2
32A	65-3300-9	. .	WINDOW	INSTL,	9.0 X	12.50	(INTERMEDIATE FRAME)	(SEE FIG. 11, 15 AND 19)		1
33	65-3300-9	. .	WINDOW	INSTL,	9.0 X	12.50	(INTERMEDIATE FRAME)	(SEE FIG. 11, 15 AND 19)		2
34	65-3300-9	. .	WINDOW	INSTL,	9.0 X	12.50	(INTERMEDIATE FRAME)	(SEE FIG. 11, 15 AND 19)		1
34A	65-3300-9	. .	WINDOW	INSTL,	9.0 X	12.50	(INTERMEDIATE FRAME)	(SEE FIG. 11, 15 AND 19)		1
35	65-3300	. .	WINDOW	INSTL,	9.0 X	12.50	(LIGHT FRAME)	(SEE FIG. 11, 15 AND 19)		3
36	65-3300	. .	WINDOW	INSTL,	9.0 X	12.50	(LIGHT FRAME)	(SEE FIG. 11, 15 AND 19)		1
39	65-3300	. .	WINDOW	INSTL,	9.0 X	12.50	(LIGHT FRAME)	(SEE FIG. 11, 15 AND 19)		2
39	65-3300-21	. .	PLATE	INSTL,	9.0 X	12.50	(LIGHT FRAME WINDOW PLUG)	(SEE FIG. 11 AND 15)	0150	2
39	65-3300-21	. .	PLATE	INSTL,	9.0 X	12.50	(LIGHT FRAME WINDOW PLUG)	(SEE FIG. 11 AND 15)	0150	2
39A	65-3300	. .	WINDOW	INSTL,	9.0 X	12.50	(LIGHT FRAME)	(SEE FIG. 11, 15 AND 19)		1
40	65-3300	. .	WINDOW	INSTL,	9.0 X	12.50	(LIGHT FRAME)	(SEE FIG. 11, 15 AND 19)	5199	1
40	65-3300-21	. .	PLATE	INSTL,	9.0 X	12.50	(LIGHT FRAME WINDOW PLUG)	(SEE FIG. 11 AND 15)	0150	1

MISSING ITEM NUMBERS ARE NOT APPLICABLE

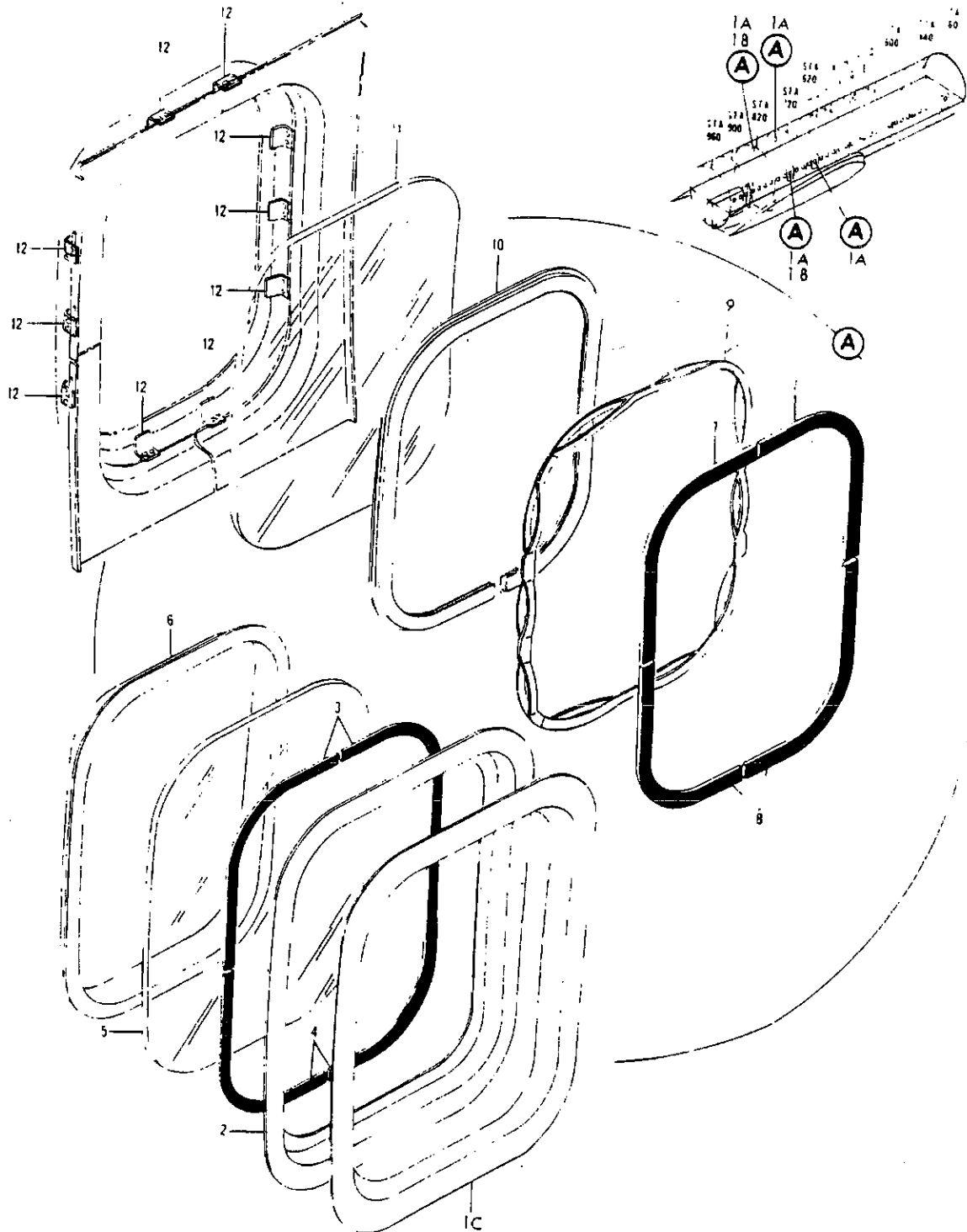


FIGURE 12. WINDOWS-WINDSHIELDS AND WINDOWS



PARTS CATALOG

FIGURE & ITEM NO.	MANUFACTURER'S PART NUMBER	NOMENCLATURE							EFF FROM TO	UNITS PER ASSY	
		1	2	3	4	5	6	7			
12	1A	50-7978-92	HATCH ASSY, EMERGENCY (WINDOWS ONLY) (SEE 93-2, FIG. 2, ITEM 34)								RF
	1C	65-4078	. REVEAL, PASSENGER EMERGENCY HATCH WINDOW.								1
	2	65-4109	. RETAINER, PASSENGER EMERGENCY HATCH WINDOW.								1
	3	69-3328-1	. SEAL, PASSENGER EMERGENCY HATCH WINDOW.								2
	4	69-3328	. SEAL, PASSENGER EMERGENCY HATCH WINDOW.								2
	4	69-3328	. SEAL, PASSENGER EMERGENCY HATCH WINDOW.								2
	5	65-1782-9	. PANE, PASSENGER WINDOW INNER.								1
			(OPTIONAL 65-1782-3)								
	5	65-1782-3	. PANE, PASSENGER WINDOW INNER.								1
			(OPTIONAL TO 65-1782-9)								
	6	65-4078-1	. REVEAL, PASSENGER EMERGENCY HATCH WINDOW.								1
	7	69-3329-1	. SEAL, PASSENGER EMERGENCY HATCH WINDOW.								2
	8	69-3329	. SEAL, PASSENGER EMERGENCY HATCH WINDOW.								2
	9	65-3479-2	. SPRING ASSY, 9 X 12.5 PASSENGER WINDOW.								1
	10	65-51105-1	. SEAL, 9X12.5 PASSENGER WINDOW OUTER								1
	10	65-6078-3	. SEAL, 9 X 12.5 PASSENGER WINDOW OUTER (SPARES ONLY)								1
	11	50-11398	. PANE, 9 X 12.5 PASSENGER WINDOW OUTER								1
	12	63-1831	. RETAINER, SPRING.								10
			(OPTIONAL TO 63-1831-1)								
	12	63-1831-1	. RETAINER, SPRING.								10
			(OPTIONAL 63-1831)								
			ATTACHING PARTS								
		AN515C6R6	. SCREW								20
			. FOR REFERENCE TO OTHER HATCH DETAILS, SEE NHA								

MISSING ITEM NUMBERS ARE NOT APPLICABLE

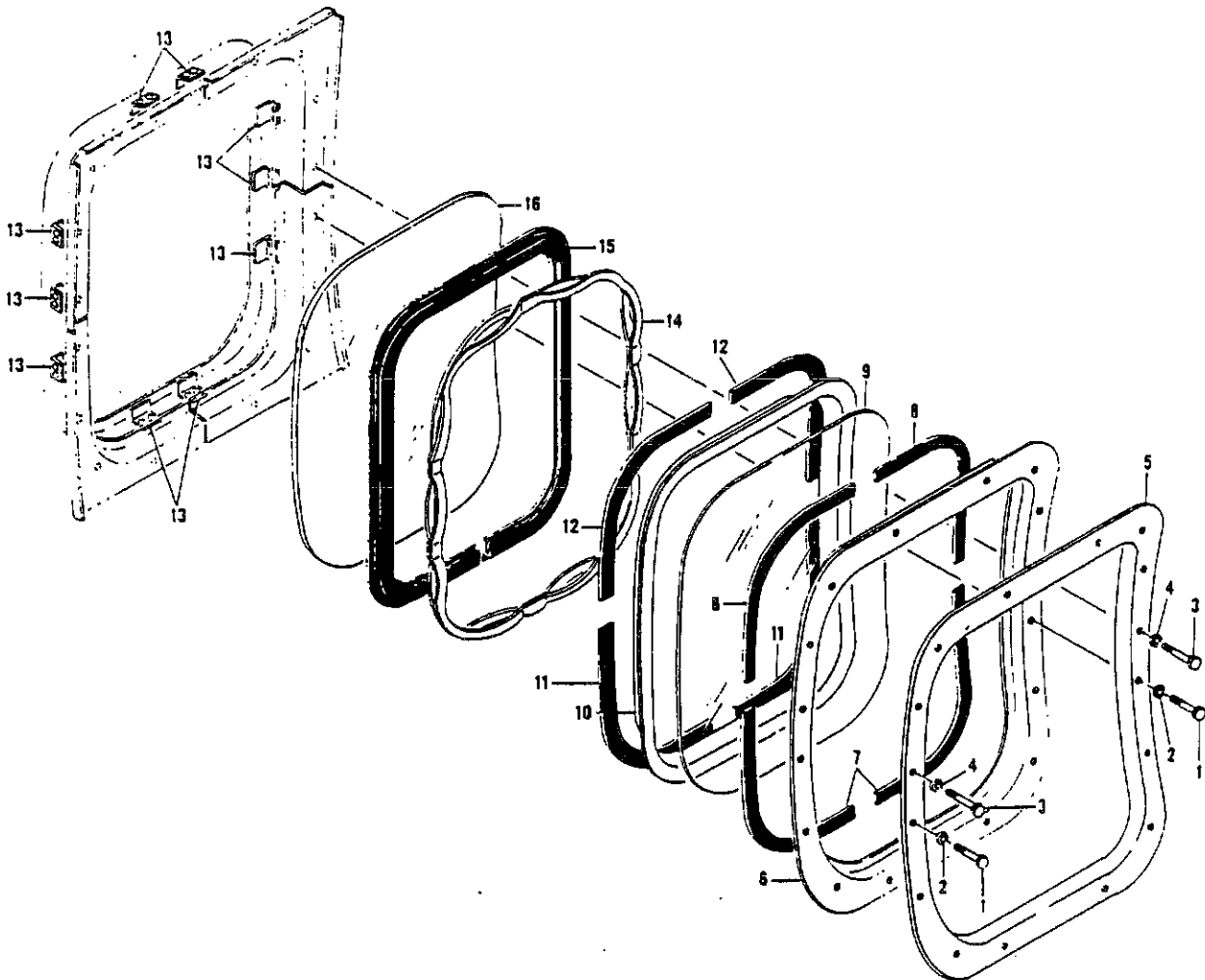
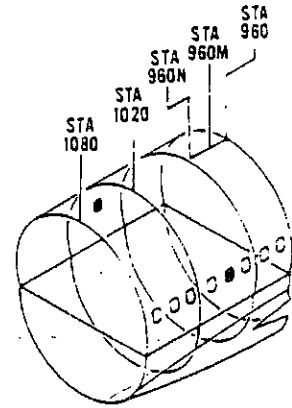


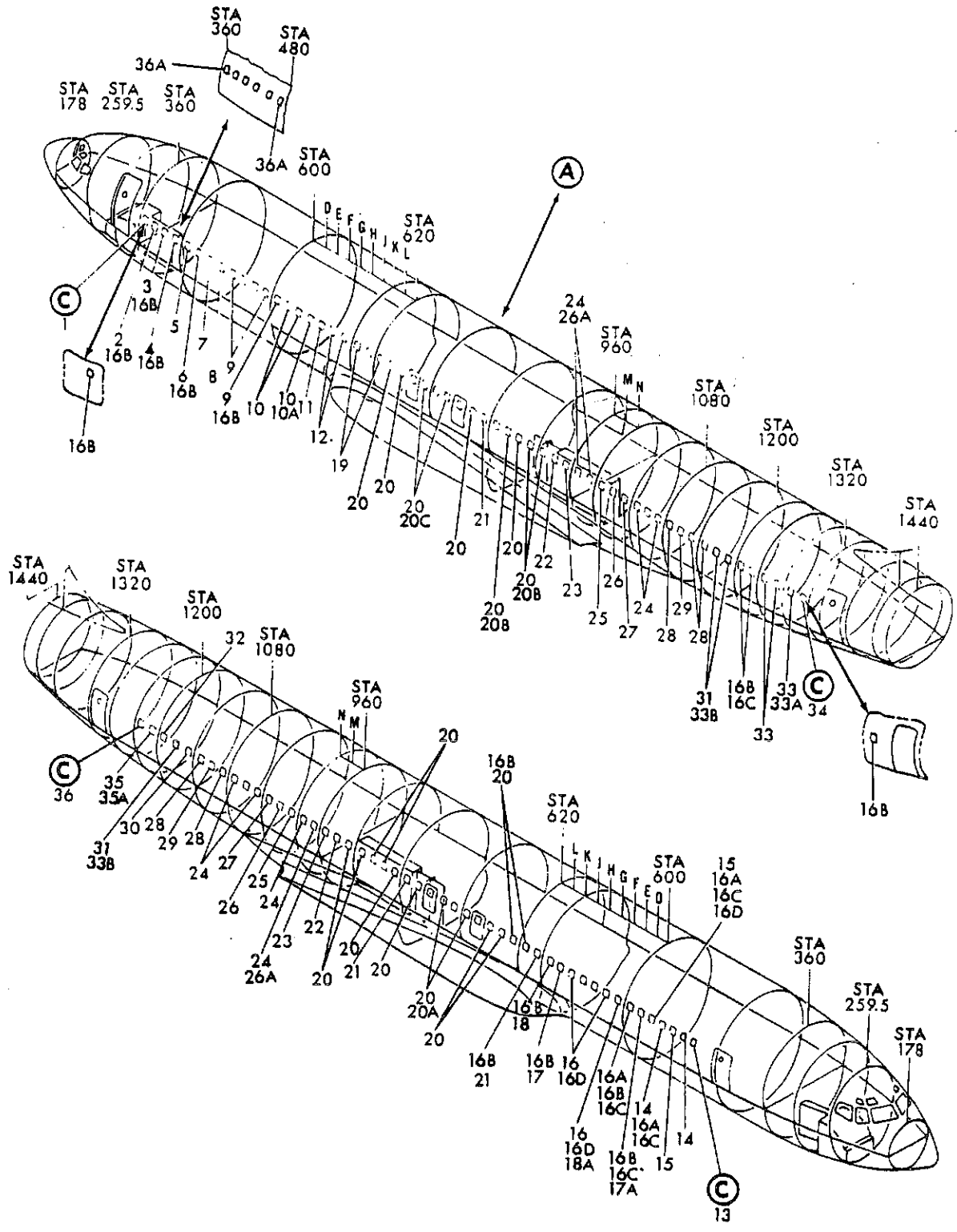
FIGURE 13. HATCH INSTL. STATION 990.45 EMERGENCY EXIT (WINDOWS ONLY)



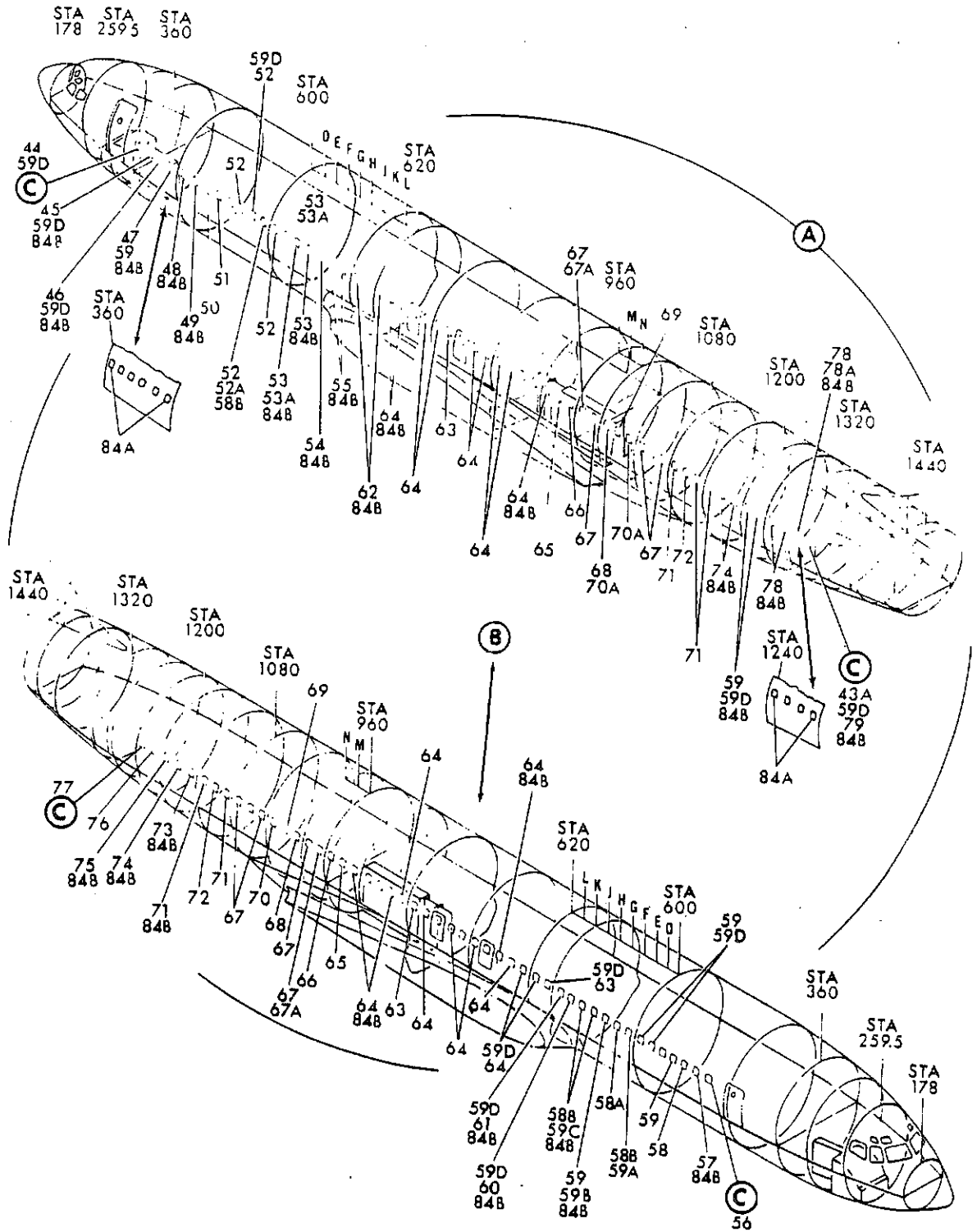
PARTS CATALOG

FIGURE & ITEM NO.	MANUFACTURER'S PART NUMBER	NOMENCLATURE							EFF FROM TO	UNITS PER ASSY	
		1	2	3	4	5	6	7			
R	13	65-26587-1	HATCH INSTL, STATION 990.45 EMERGENCY EXIT (WINDOWS . . . ONLY) (SEE 53-2, FIG. 3, ITEM 66)							0150	RF
R		65-26587-2	. HATCH ASSY, STATION 990.45 EMERGENCY EXIT							0150	1
R	1	NAS1103-4W	. . . BOLT.							0150	8
R	2	AN960D10L	. . . WASHER.							0150	8
R	3	NAS1103-5W	. . . BOLT.							0150	8
R	4	AN960D10	. . . WASHER.							0150	8
R	5	65-4078	. . . REVEAL, PASSENGER EMERGENCY HATCH WINDOW.							0150	1
R	6	65-4109	. . . RETAINER, PASSENGER EMERGENCY HATCH WINDOW.							0150	1
R	7	69-3328	. . . SEAL, PASSENGER EMERGENCY HATCH WINDOW.							0150	2
R	8	69-3328-1	. . . SEAL, PASSENGER EMERGENCY HATCH WINDOW.							0150	2
R	9	65-1782-9	. . . PANE, PASSENGER WINDOW INNER.							0150	1
R			(OPTIONAL 65-1782-3)								
R	9	65-1782-3	. . . PANE, PASSENGER WINDOW INNER.							0150	1
R			(OPTIONAL TO 65-1782-9)								
R	10	65-4078-1	. . . REVEAL, PASSENGER EMERGENCY HATCH WINDOW.							0150	1
R	11	69-3329	. . . SEAL, PASSENGER EMERGENCY HATCH WINDOW.							0150	2
R	12	69-3329-1	. . . SEAL, PASSENGER EMERGENCY HATCH WINDOW.							0150	2
R	13	63-1831	. . . RETAINER, EMERGENCY HATCH SPRING.							0150	10
R			ATTACHING PARTS								
R		BACS12BE06-8	. . . SCREW							0150	20
R	14	65-3479-2	. . . SPRING ASSY, 9 X 12.5 PASSENGER WINDOW.							0150	1
R	15	65-6078-3	. . . SEAL, 9 X 12.5 WINDOW OUTER PANE.							0150	1
R			(OPTIONAL 65-6078-1)								
R	15	65-6078-1	. . . SEAL, 9 X 12.5 WINDOW OUTER PANE.							0150	1
R			(OPTIONAL TO 65-6078-3)								
R	16	50-11398	. . . PANE, 9 X 12.5 PASSENGER WINDOW OUTER							0150	1
R			. . . FOR REFERENCE TO OTHER HATCH DETAILS, SEE NHA							0150	

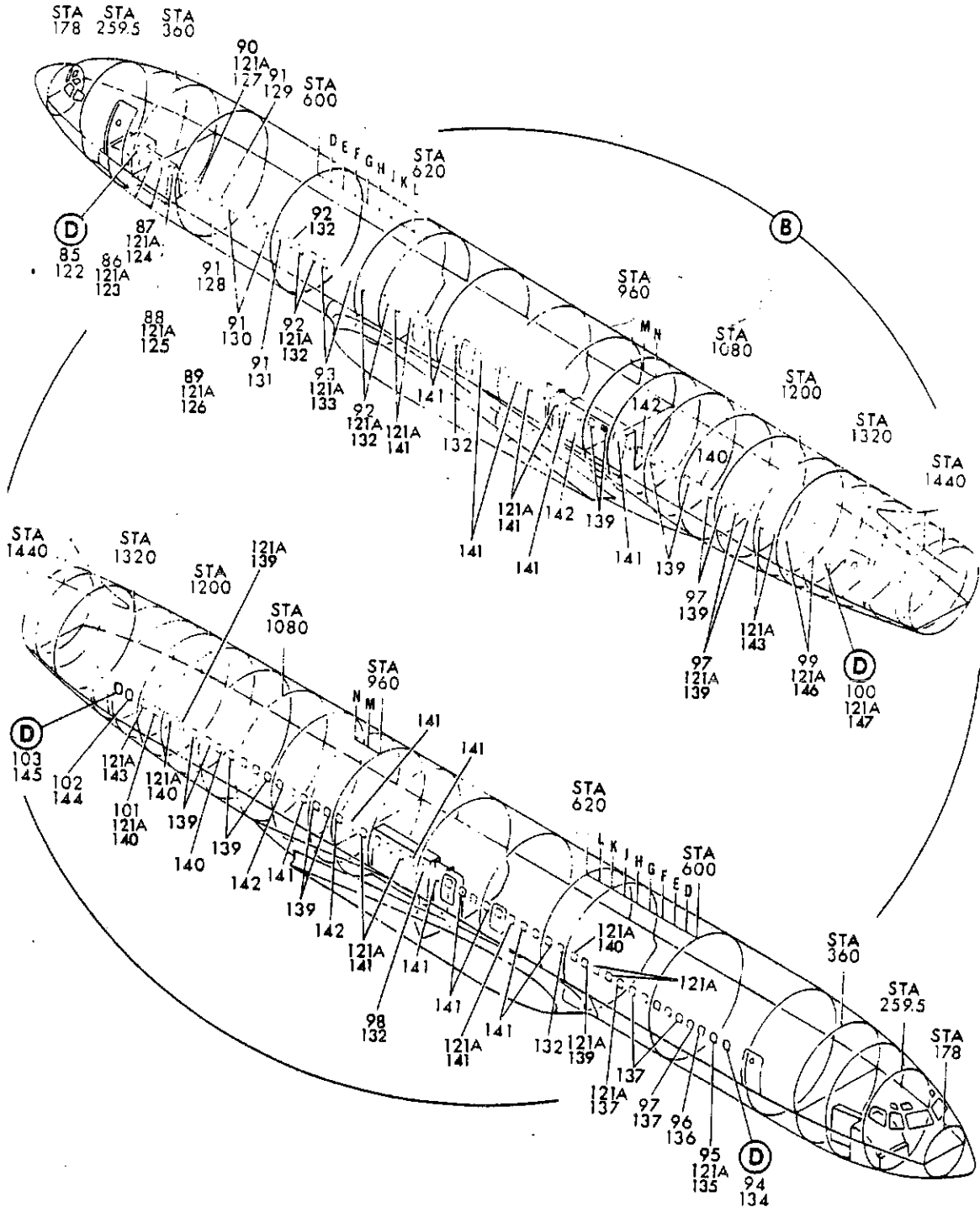
MISSING ITEM NUMBERS ARE NOT APPLICABLE



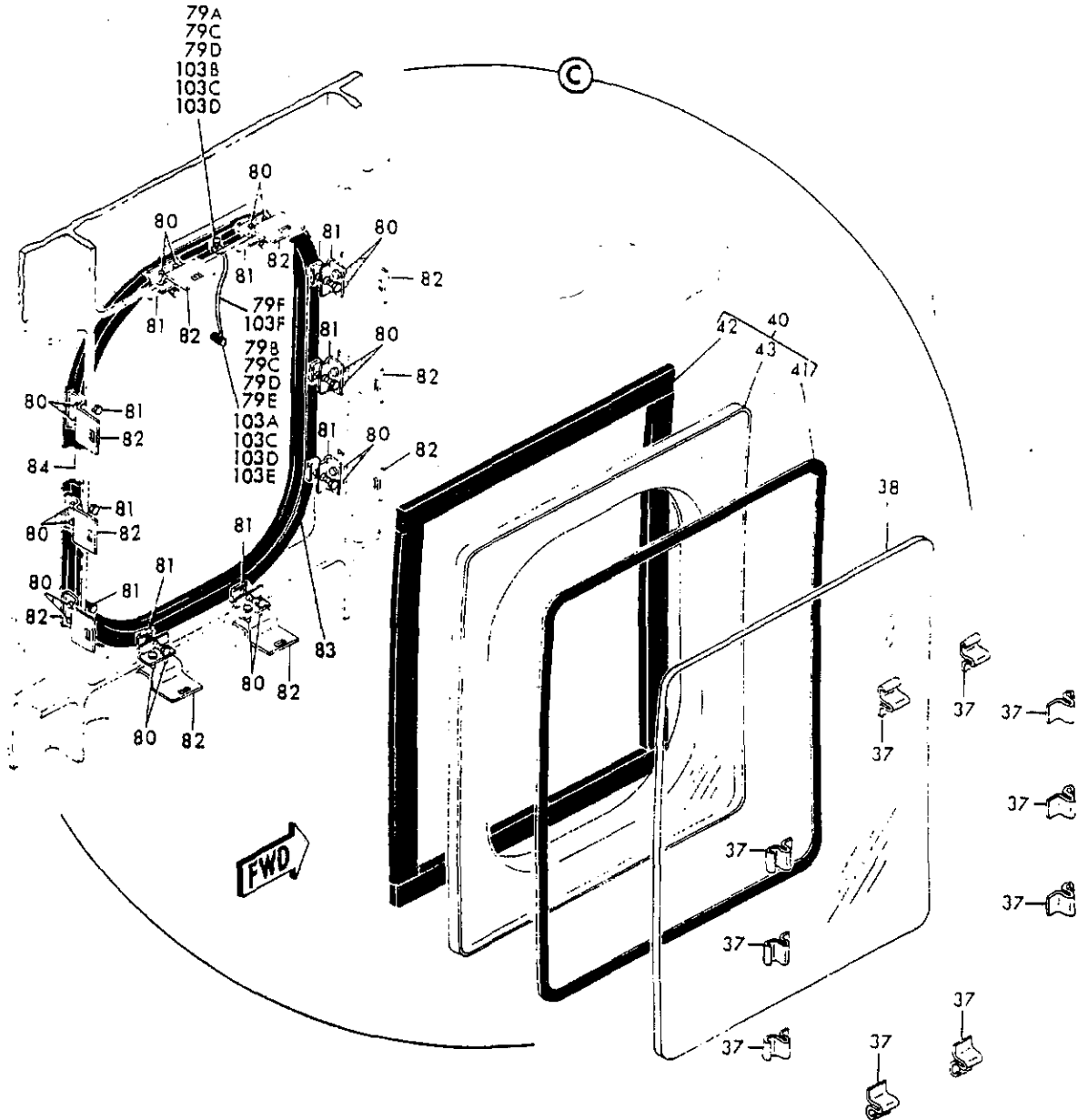
WINDOW INSTL, 9.0 X 12.50 INNER AND OUTER PASSENGER
 FIGURE 15. PLATE INSTL, 9.0 X 12.50 INNER AND OUTER PASSENGER WINDOW (SHEET 1)



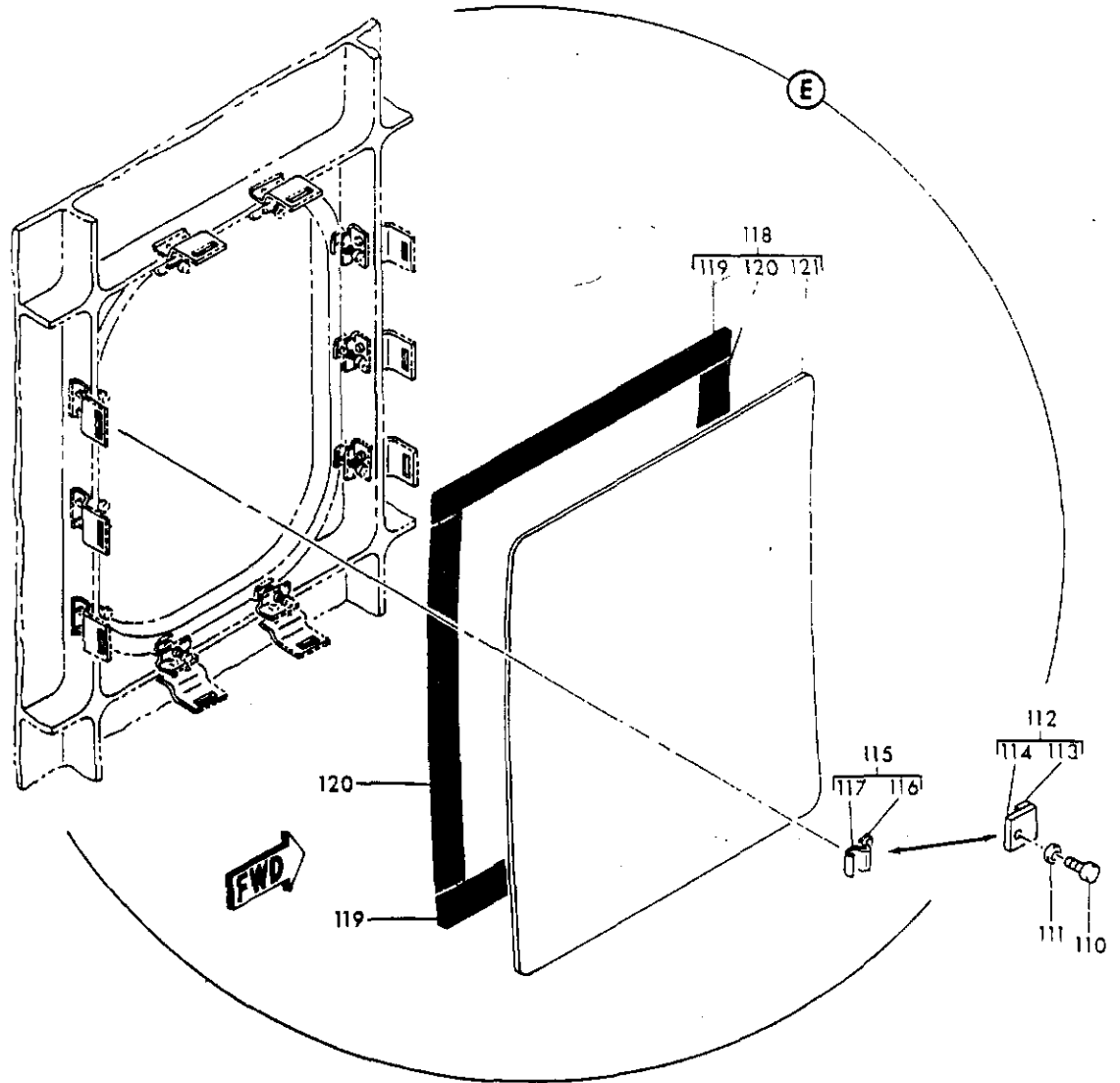
WINDOW INSTL, 9.0 X 12.50 INNER AND OUTER PASSENGER
 FIGURE 15. PLATE INSTL, 9.0 X 12.50 INNER AND OUTER PASSENGER WINDOW (SHEET 2)



WINDOW INSTL, 9.0 X 12.50 INNER AND OUTER PASSENGER
 FIGURE 15. PLATE INSTL, 9.0 X 12.50 INNER AND OUTER PASSENGER WINDOW (SHEET 3)



WINDOW INSTL, 9.0 X 12.50 INNER AND OUTER PASSENGER
 FIGURE 15. PLATE INSTL, 9.0 X 12.50 INNER AND OUTER PASSENGER WINDOW (SHEET 4)



WINDOW INSTL, 9.0 X 12.50 INNER AND OUTER PASSENGER
 FIGURE 15. PLATE INSTL, 9.0 X 12.50 INNER AND OUTER PASSENGER WINDOW (SHEET 6)

NOV 21/90

56-01-15

DETAILED PARTS LIST
 56-01-15
 PAGE 5



PARTS CATALOG

FIGURE & ITEM NO.	MANUFACTURER'S PART NUMBER	NOMENCLATURE							EFF FROM TO	UNITS PER ASSY
		1	2	3	4	5	6	7		
15		WINDOW INSTL, 9.0 X 12.50 INNER AND OUTER PASSENGER . . .								
		PLATE INSTL, 9.0 X 12.50 INNER AND OUTER PASSENGER . . .								
		WINDOW								
1	65-3300-5	. WINDOW INSTL, 9.0 X 12.50 INNER PASSENGER (LIGHT. . .								RF
		FRAME) (SEE FIG. 10A, ITEM 1)								
2	65-3300-5	. WINDOW INSTL, 9.0 X 12.50 INNER PASSENGER (LIGHT. . .								RF
		FRAME) (SEE FIG. 10A, ITEM 2)								
3	65-3300-5	. WINDOW INSTL, 9.0 X 12.50 INNER PASSENGER (LIGHT. . .								RF
		FRAME) (SEE FIG. 10A, ITEM 3)								
4	65-3300-5	. WINDOW INSTL, 9.0 X 12.50 INNER PASSENGER (LIGHT. . .								RF
		FRAME) (SEE FIG. 10A, ITEM 4)								
5	65-3300-10	. WINDOW INSTL, 9.0 X 12.50 INNER PASSENGER								RF
		(INTERMEDIATE FRAME) (SEE FIG. 10A, ITEM 5)								
6	65-3300-6	. WINDOW INSTL, 9.0 X 12.50 INNER PASSENGER (HEAVY. . .								RF
		FRAME) (SEE FIG. 10A, ITEM 5A)								
7	65-3300-5	. WINDOW INSTL, 9.0 X 12.50 INNER PASSENGER (LIGHT. . .							0150	RF
		FRAME) (SEE FIG. 10A, ITEM 6)								
8	65-3300-5	. WINDOW INSTL, 9.0 X 12.50 INNER PASSENGER (LIGHT. . .							0150	RF
		FRAME) (SEE FIG. 10A, ITEM 7)								
9	65-3300-5	. WINDOW INSTL, 9.0 X 12.50 INNER PASSENGER (LIGHT. . .							0150	RF
		FRAME) (SEE FIG. 10A, ITEMS 8 AND 9)								
10	65-3300-6	. WINDOW INSTL, 9.0 X 12.50 INNER PASSENGER (HEAVY. . .							0150	RF
		FRAME) (SEE FIG. 10A, ITEMS 10 AND 11)								
10A	65-3300-6	. WINDOW INSTL, 9.0 X 12.50 INNER PASSENGER (HEAVY. . .								RF
		FRAME) (SEE FIG. 10A, ITEM 11)								
11	65-3300-10	. WINDOW INSTL, 9.0 X 12.50 INNER PASSENGER							0150	RF
		(INTERMEDIATE FRAME) (SEE FIG. 10A, ITEM 11A)								
12	65-3300-10	. WINDOW INSTL, 9.0 X 12.50 INNER PASSENGER							0150	RF
		(INTERMEDIATE FRAME) (SEE FIG. 10A, ITEM 12)								
14	65-3300-5	. WINDOW INSTL, 9.0 X 12.50 INNER PASSENGER (LIGHT. . .							0150	RF
		FRAME) (SEE FIG. 10A, ITEM 14)								
15	65-3300-5	. WINDOW INSTL, 9.0 X 12.50 INNER PASSENGER (LIGHT. . .								RF
		FRAME) (SEE FIG. 10A, ITEM 15)								
16	65-3300-5	. WINDOW INSTL, 9.0 X 12.50 INNER PASSENGER (LIGHT. . .								RF
		FRAME) (SEE FIG. 10A, ITEMS 16, 17, 18, 19, 20, AND 32)								
16A	65-3300-5	. WINDOW INSTL, 9.0 X 12.50 INNER PASSENGER (LIGHT. . .								RF
		FRAME) (SEE FIG. 10A, ITEM 16)								
16C	65-3300-5	. WINDOW INSTL, 9.0 X 12.50 INNER PASSENGER (LIGHT. . .								RF
		FRAME) (SEE FIG. 10A, ITEM 16, 17, 18, 19, 20 AND 32)								
17	65-3300-10	. WINDOW INSTL, 9.0 X 12.50 INNER PASSENGER							0150	RF
		(INTERMEDIATE FRAME) (SEE FIG. 10A, ITEM 21)								
17A	65-3300-5	. WINDOW INSTL, 9.0 X 12.50 INNER PASSENGER (LIGHT. . .								RF
		FRAME) (SEE FIG. 10A, ITEM 17)								
18	65-3300-10	. WINDOW INSTL, 9.0 X 12.50 INNER PASSENGER							0150	RF
		(INTERMEDIATE FRAME) (SEE FIG. 10A, ITEM 20B)								
18A	65-3300-5	. WINDOW INSTL, 9.0 X 12.50 INNER PASSENGER (LIGHT. . .								RF
		FRAME) (SEE FIG. 10A, ITEM 18)								
19	65-3300-6	. WINDOW INSTL, 9.0 X 12.50 INNER PASSENGER (HEAVY. . .							0150	RF
		FRAME) (SEE FIG. 10A, ITEM 22)								
20	65-3300-6	. WINDOW INSTL, 9.0 X 12.50 INNER PASSENGER (HEAVY. . .							0150	RF
		FRAME) (SEE FIG. 10A, ITEMS 23 AND 24)								
20A	65-3300-6	. WINDOW INSTL, 9.0 X 12.50 INNER PASSENGER (HEAVY. . .								RF
		FRAME) (SEE FIG. 10A, ITEM 23)								
20B	65-3300-6	. WINDOW INSTL, 9.0 X 12.50 INNER PASSENGER (HEAVY. . .								RF
		FRAME) (SEE FIG. 10A, ITEM 23)								
21	65-3300-6	. WINDOW INSTL, 9.0 X 12.50 INNER PASSENGER (HEAVY. . .							0150	RF
		FRAME) (SEE FIG. 10A, ITEM 23A)								
22	65-3300-6	. WINDOW INSTL, 9.0 X 12.50 INNER PASSENGER (HEAVY. . .							0150	RF
		FRAME) (SEE FIG. 10A, ITEM 25)								
23	65-3300-6	. WINDOW INSTL, 9.0 X 12.50 INNER PASSENGER (HEAVY. . .							0150	RF
		FRAME) (SEE FIG. 10A, ITEM 24A)								
24	65-3300-10	. WINDOW INSTL, 9.0 X 12.50 INNER PASSENGER							0150	RF
		(INTERMEDIATE FRAME) (SEE FIG. 10A, ITEMS 26 AND 35)								
25	65-3300-6	. WINDOW INSTL, 9.0 X 12.50 INNER PASSENGER (HEAVY. . .								RF
		FRAME) (SEE FIG. 10A, ITEM 27)								
25	65-3300-10	. WINDOW INSTL, 9.0 X 12.50 INNER PASSENGER							3199	RF
		(INTERMEDIATE FRAME) (SEE FIG. 10A, ITEM 27)								
26A	65-3300-10	. WINDOW INSTL, 9.0 X 12.50 INNER PASSENGER								RF
		(INTERMEDIATE FRAME) (SEE FIG. 10A, ITEM 26A)								
27	65-3300-6	. WINDOW INSTL, 9.0 X 12.50 INNER PASSENGER (HEAVY. . .							0150	RF
		FRAME) (SEE FIG. 10A, ITEM 27A)								

MISSING ITEM NUMBERS ARE NOT APPLICABLE



BOEING **707** **Intercontinental**

PARTS CATALOG

FIGURE & ITEM NO.	MANUFACTURER'S PART NUMBER	NOMENCLATURE							EFF FROM TO	UNITS PER ASSY	
		1	2	3	4	5	6	7			
R	15 28	65-3300-10	. WINDOW INSTL, 9.0 X 12.50 INNER PASSENGER							0150	RF
R			(INTERMEDIATE FRAME) (SEE FIG. 10A, ITEM 29)								
R	29	65-3300-10	. WINDOW INSTL, 9.0 X 12.50 INNER PASSENGER							0150	RF
R			(INTERMEDIATE FRAME) (SEE FIG. 10A, ITEM 30)								
R	30	65-3300-10	. WINDOW INSTL, 9.0 X 12.50 INNER PASSENGER							0150	RF
R			(INTERMEDIATE FRAME) (SEE FIG. 10A, ITEM 30A)								
R	31	65-3300-10	. WINDOW INSTL, 9.0 X 12.50 INNER PASSENGER							0150	RF
R			(INTERMEDIATE FRAME) (SEE FIG. 10A, ITEMS 31 AND 36)								
R	32	65-3300-10	. WINDOW INSTL, 9.0 X 12.50 INNER PASSENGER							0150	RF
R			(INTERMEDIATE FRAME) (SEE FIG. 10A, ITEM 36A)								
R	33A	65-3300-5	. WINDOW INSTL, 9.0 X 12.50 INNER PASSENGER (LIGHT. . .							5199	RF
R			FRAME) (SEE FIG. 10A, ITEM 33A)								
R	35	65-3300-5	. WINDOW INSTL, 9.0 X 12.50 INNER PASSENGER (LIGHT. . .								RF
R			FRAME) (SEE FIG. 10A, ITEM 37)								
R	36	65-3300-5	. WINDOW INSTL, 9.0 X 12.50 INNER PASSENGER (LIGHT. . .								RF
R			FRAME) (SEE FIG. 10A, ITEM 32A)								
R	37	65-25576-7	. . CLIP ASSY, (USED ON 65-3300-5, -6, -10, -16, -20, .								10
R			-29)								
R	38	65-1782-6	. . PANE, (USED ON 65-3300-5, -6, -10).								1
R	40	65-3300-26	. . REVEAL ASSY, (USED ON 65-3300-5).								1
R	40	65-3300-27	. . REVEAL ASSY, (USED ON 65-3300-6).								1
R	40	65-3300-28	. . REVEAL ASSY, (USED ON 65-3300-10).								1
R	41	66-23439-1	. . . SEAL, (USED ON 65-3300-26, -27, -28).								1
R	42	66-23439-2	. . . SEAL, (USED ON 65-3300-27).								1
R	42	66-23439-3	. . . SEAL, (USED ON 65-3300-26 AND -28).								1
R	43	65-5701-2	. . . REVEAL, (USED ON 65-3300-26).								1
R	43	65-5701-3	. . . REVEAL, (USED ON 65-3300-27).								1
R	43	65-5701-5	. . . REVEAL, (USED ON 65-3300-28).								1
R	43A	65-3300	. WINDOW INSTL, 9.0 X 12.50 OUTER PASSENGER (LIGHT. . .							5199	RF
R			FRAME) (SEE FIG. 10B, ITEM 40)								
R	44	65-3300	. WINDOW INSTL, 9.0 X 12.50 OUTER PASSENGER (LIGHT. . .								RF
R			FRAME) (SEE FIG. 10B, ITEM 1)								
R	45	65-3300	. WINDOW INSTL, 9.0 X 12.50 OUTER PASSENGER (LIGHT. . .								RF
R			FRAME) (SEE FIG. 10B, ITEM 2)								
R	46	65-3300	. WINDOW INSTL, 9.0 X 12.50 OUTER PASSENGER (LIGHT. . .								RF
R			FRAME) (SEE FIG. 10B, ITEM 3)								
R	47	65-3300	. WINDOW INSTL, 9.0 X 12.50 OUTER PASSENGER (LIGHT. . .								RF
R			FRAME) (SEE FIG. 10B, ITEM 4)								
R	48	65-3300-9	. WINDOW INSTL, 9.0 X 12.50 OUTER PASSENGER								RF
R			(INTERMEDIATE FRAME) (SEE FIG. 10B, ITEM 5)								
R	49	65-3300-1	. WINDOW INSTL, 9.0 X 12.50 OUTER PASSENGER (HEAVY. . .								RF
R			FRAME) (SEE FIG. 10B, ITEM 6)								
R	50	65-3300	. WINDOW INSTL, 9.0 X 12.50 OUTER PASSENGER (LIGHT. . .							0150	RF
R			FRAME) (SEE FIG. 10B, ITEM 7)								
R	51	65-3300	. WINDOW INSTL, 9.0 X 12.50 OUTER PASSENGER (LIGHT. . .							0150	RF
R			FRAME) (SEE FIG. 10B, ITEM 8)								
R	52	65-3300	. WINDOW INSTL, 9.0 X 12.50 OUTER PASSENGER (LIGHT. . .							0150	RF
R			FRAME) (SEE FIG. 10B, ITEMS 9 AND 10)								
R	52A	65-3300	. WINDOW INSTL, 9.0 X 12.50 OUTER PASSENGER (LIGHT. . .								RF
R			FRAME) (SEE FIG. 10B, ITEM 9A)								
R	53	65-3300-1	. WINDOW INSTL, 9.0 X 12.50 OUTER PASSENGER (HEAVY. . .							0150	RF
R			FRAME) (SEE FIG. 10B, ITEMS 11 AND 12)								
R	53A	65-3300-1	. WINDOW INSTL, 9.0 X 12.50 OUTER PASSENGER (HEAVY. . .								RF
R			FRAME) (SEE FIG. 10B, ITEM 11)								
R	54	65-3300-9	. WINDOW INSTL, 9.0 X 12.50 OUTER PASSENGER							0150	RF
R			(INTERMEDIATE FRAME) (SEE FIG. 10B, ITEM 13)								
R	55	65-3300-9	. WINDOW INSTL, 9.0 X 12.50 OUTER PASSENGER							0150	RF
R			(INTERMEDIATE FRAME) (SEE FIG. 10B, ITEM 14)								
R	57	65-3300	. WINDOW INSTL, 9.0 X 12.50 OUTER PASSENGER (LIGHT. . .							0150	RF
R			FRAME) (SEE FIG. 10B, ITEM 16)								
R	58	65-3300	. WINDOW INSTL, 9.0 X 12.50 OUTER PASSENGER (LIGHT. . .							0150	RF
R			FRAME) (SEE FIG. 10B, ITEM 17)								
R	58A	65-3300	. WINDOW INSTL, 9.0 X 12.50 OUTER PASSENGER (LIGHT. . .								RF
R			FRAME) (SEE FIG. 10B, ITEMS 17A, 19, 20A, 21B, AND 35)								
R	59	65-3300	. WINDOW INSTL, 9.0 X 12.50 OUTER PASSENGER (LIGHT. . .								RF
R			FRAME) (SEE FIG. 10B, ITEMS 17A, 19, 20A, 21B, AND 35)								
R	59A	65-3300	. WINDOW INSTL, 9.0 X 12.50 OUTER PASSENGER (LIGHT. . .								RF
R			FRAME) (SEE FIG. 10B, ITEM 20)								
R	59B	65-3300	. WINDOW INSTL, 9.0 X 12.50 OUTER PASSENGER (LIGHT. . .								RF
R			FRAME) (SEE FIG. 10B, ITEM 21B)								

MISSING ITEM NUMBERS ARE NOT APPLICABLE

BOEING *707* Intercontinental 
PARTS CATALOG

FIGURE & ITEM NO.	MANUFACTURER'S PART NUMBER	1 2 3 4 5 6 7	NOMENCLATURE	EFF FROM TO	UNITS PER ASSY
R R	15 103A	BACB30LH3-3	. . BOLT, (USED ON 65-3300-5) (ADDED BY SB 3360) . . .		1
	103B	BACS12CB3-10	. . SCREW, (USED ON 65-3300-5) (ADDED BY SB 3360) . . .		1
	103C	AN960PD10	. . WASHER, (USED ON 65-3300-5) (ADDED BY SB 3360) . . .		4
	103D	MS35338-43	. . WASHER, (USED ON 65-3300-5) (ADDED BY SB 3360) . . .		2
	103E	BACN10JC3	. . NUT, (USED ON 65-3300-5) (ADDED BY SB 3360) . . .		1
	103F	BACJ40A20-4	. . JUMPER ASSY, (USED ON 65-3300-5) (ADDED BY SB 3360)		1
	104	65-25576-7	. . CLIP ASSY, (USED ON 65-3300-5, -16, -20, -29) . . .		10
	105	65-7483	. . PLATE ASSY, (USED ON 65-3300-16, -20, -29) . . .		1
	105A	65-1782-6	. . PANE		1
	105B	65-3300-26	. . REVEAL ASSY, (USED ON 65-3300-5)		1
	105C	65-23439-1	. . SEAL		1
	105D	66-23439-1	. . SEAL		1
	105E	65-5701-2	. . SEAL		1
	134	65-3300-21	. . REVEAL		1
			. . PLATE INSTL, 9.0 X 12.50 OUTER PASSENGER WINDOW . . .	5199	RF
			(LIGHT FRAME WINDOW PLUG) (SEE FIG. 10B, ITEM 15)		
	146	65-3300-21	. . PLATE INSTL, 9.0 X 12.50 OUTER PASSENGER WINDOW . . .	0150	RF
			(LIGHT FRAME WINDOW PLUG) (SEE FIG. 10B, ITEM 39)		
	147	65-3300-21	. . PLATE INSTL, 9.0 X 12.50 OUTER PASSENGER WINDOW . . .	0150	RF
			(LIGHT FRAME WINDOW PLUG) (SEE FIG. 10B, ITEM 40)		
	147A	BACS12CB3-10	. . SCREW, (USED ON 65-3300-21) (ADDED BY SB 3360) . . .	0150	1
	147B	BACB30LH3-3	. . BOLT, (USED ON 65-3300-21) (ADDED BY SB 3360) . . .	0150	1
	147C	AN960D10	. . WASHER, (USED ON 65-3300-21) (ADDED BY SB 3360) . . .	0150	4
	147D	MS35338-43	. . WASHER, (USED ON 65-3300-21) (ADDED BY SB 3360) . . .	0150	2
	147E	BACN10JC3	. . NUT, (USED ON 65-3300-21) (ADDED BY SB 3360) . . .	0150	2
	147F	BACJ40A20-4	. . JUMPER ASSY, (USED ON 65-3300-21) (ADDED BY SB 3360)	0150	1
	148	BACR15DHZ	. . RIVET	0150	20
	149	10-61436-1	. . CLIP ASSY	0150	10
		(OPTIONAL BAC SPEC NO. 10-61436-5)			
149	10-61436-5	. . CLIP ASSY	0150	10	
		(OPTIONAL TO BAC SPEC NO. 10-61436-1)			
150	69-48823-2	. . BRACKET, (USED ON 65-3300-17, -21 AND -30)		10	
151	65-6078-3	. . SEAL	0150	1	
152	65-7482	. . PLATE	0150	1	

MISSING ITEM NUMBERS ARE NOT APPLICABLE

BDEING *707*
Intercontinental 
PARTS CATALOG

SECTION 02
INSPECTION WINDOWS

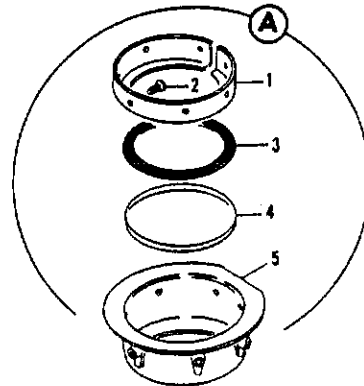
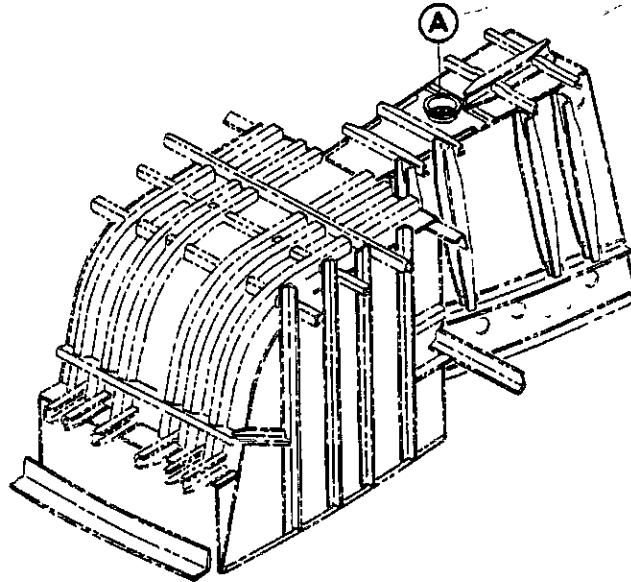
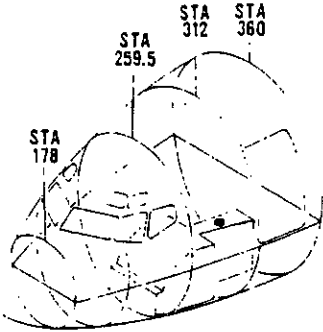


FIGURE 1. PANEL INSTL, STATION 312 TO 360 NOSE GEAR WHEEL WELL TOP (WINDOWS ONLY)

BOEING
Intercontinental
707 
PARTS CATALOG

FIGURE & ITEM NO.	MANUFACTURER'S PART NUMBER	NOMENCLATURE							EFF FROM TO	UNITS PER ASSY
		1	2	3	4	5	6	7		
1	5-84009-3030	PANEL INSTL, STATION 312 TO 360 NOSE GEAR WHEEL WELL. . .								RF
		TOP (WINDOWS ONLY) (SEE 32-3, FIG. 22)								
1	9-67603-2003	. RING, INSPECTION WINDOW DRAG LINK SUPPORT SPLIT . . .								1
		ATTACHING PARTS								
2	NAS221-10	. SCREW								7
		-----*								
3	6-72469-1	. SEAL, INSPECTION WINDOW RING.								1
4	6-72432	. WINDOW ASSY, LAMINATED GLASS INSPECTION								1
5	9-67603-2000	. RING, INSPECTION WINDOW DRAG LINK SUPPORT								1
		. FOR REFERENCE TO OTHER PANEL DETAILS, SEE NHA								

MISSING ITEM NUMBERS ARE NOT APPLICABLE

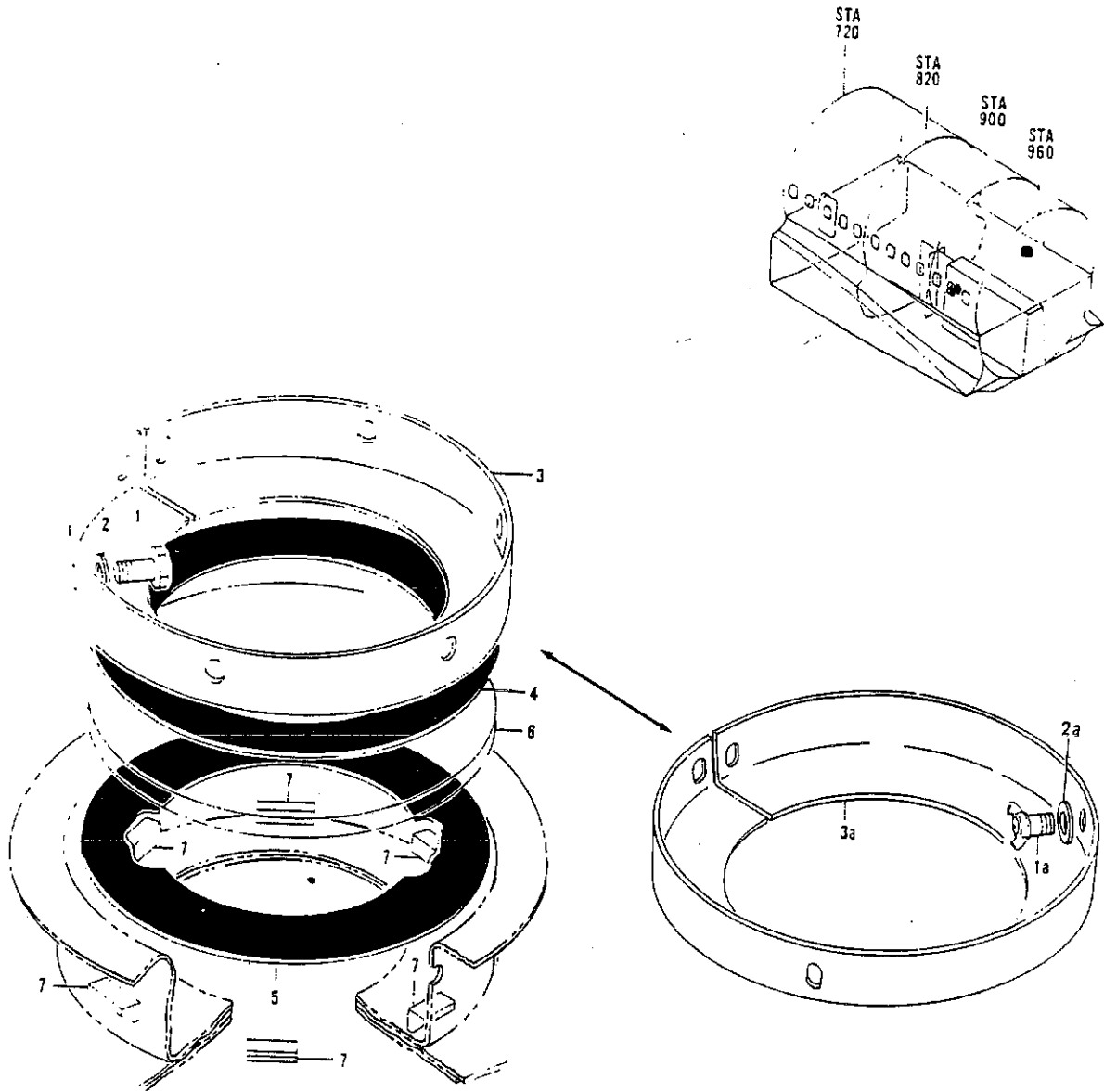


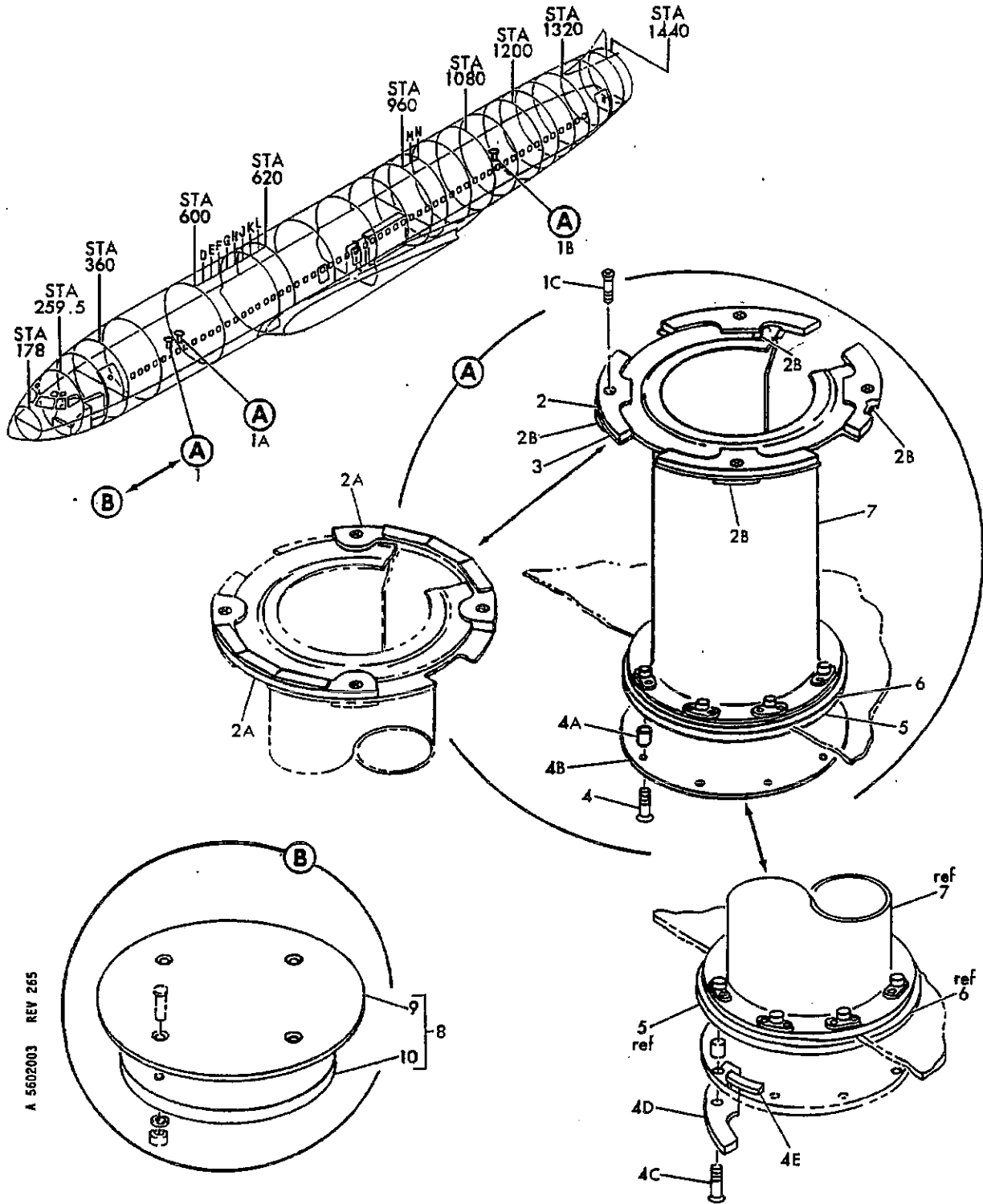
FIGURE 2. WINDOW INSTL. STATION 895, 50 P PRESSURE WEB



PARTS CATALOG

FIGURE & ITEM NO.	MANUFACTURER'S PART NUMBER	NOMENCLATURE							EFF FROM TO	UNITS PER ASSY
		1	2	3	4	5	6	7		
2	90-1519-3001	WINDOW INSTL, STATION 895.50 PRESSURE WEB (LH) (SEE . . .								RF
		53-2, FIG. 2, ITEM 77)								
	90-1519-3002	WINDOW INSTL, STATION 895.50 PRESSURE WEB (RH) (SEE . . .								RF
		53-2, FIG. 2, ITEM 78)								
1A	BACS12W10-8	. SCREW								4
2A	AN960D10	. WASHER								4
3A	60-1452-3003	. RING, PRESSURE WEB INSPECTION WINDOW RETAINING (LH. . .								1
		ONLY)								
3A	60-1452-3004	. RING, PRESSURE WEB INSPECTION WINDOW RETAINING (RH. . .								1
		ONLY)								
4	6-72469-1	. RING, INSPECTION WINDOW SEAL.								1
5	90-1519-3005	. RING, SEAL.								1
6	6-72432	. GLASS ASSY, INSPECTION WINDOW LAMINATED								1
7	3-95934	. SPACER, STATION 1440 BULKHEAD INSPECTION WINDOW . . .								6

MISSING ITEM NUMBERS ARE NOT APPLICABLE



A 5602003 REV 265

FIGURE 3. VIEWER INSTL, SECTION 43 AND 46 CARGO COMPARTMENT



PARTS CATALOG

FIGURE & ITEM NO.	MANUFACTURER'S PART NUMBER	NOMENCLATURE							EFF FROM TO	UNITS PER ASSY
		1	2	3	4	5	6	7		
3 1B	65-6190-3	VIEWER INSTL, SECTION 46 CARGO COMPARTMENT (SEE 53-2, . FIG. 3, ITEM 1)								RF
1C	NAS514P1032-12	. SCREW								4
2A	69-12189-46	. BLOCK ASSY, TIEDOWN (USED ON 65-6190-3)								2
2B	65-6190-16	. FILLER, RADIUS.								4
3	69-2398-8	. RING, CARGO VIEWING HOLE SUPPORT.								1
4	NAS514P1032-16	. SCREW								8
4A	BACS18AE3-23	. SPACER.								8
4B	66-12018	. GUARD, CARGO VIEWER								1
5	69-2398-1	. RING, CARGO VIEWING HOLE SUPPORT.								1
6	69-2398-2	. RING, CARGO VIEWING HOLE SUPPORT SEAL								1
7	31422	. VIEWER, COMPARTMENT AFT (V93706) (USED ON 65-6190-3)								1

MISSING ITEM NUMBERS ARE NOT APPLICABLE

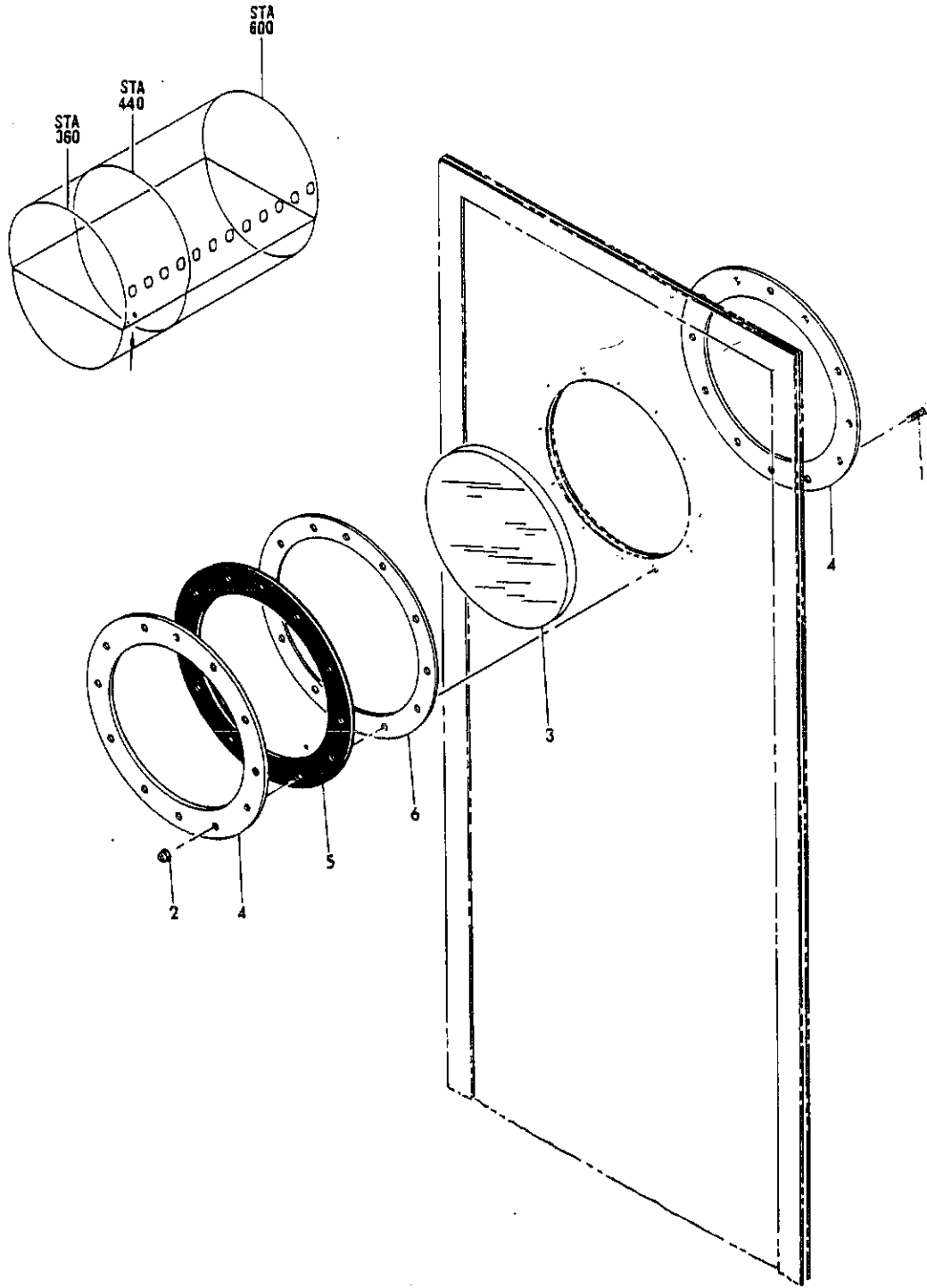


FIGURE 4. DOOR ASSY, STATION 400 ELECTRONIC COMPARTMENT (WINDOWS ONLY)



PARTS CATALOG

FIGURE & ITEM NO.	MANUFACTURER'S PART NUMBER	NOMENCLATURE							EFF FROM TO	UNITS PER ASSY
		1	2	3	4	5	6	7		
4	65-1995-1	DOOR ASSY, STATION 400 ELECTRONIC COMPARTMENT (WINDOWS ONLY) (SEE 24-13, FIG. 102, ITEM 12)								RF
1	NAS514P1032-12	. SCREW								12
2	NAS679A3W	. NUT								12
3	6-72432	. WINDOW ASSY, LAMINATED GLASS INSPECTION								1
4	66-2590	. RING, CARGO DOOR WINDOW RETAINER.								2
5	66-2591	. GASKET, CARGO DOOR WINDOW RETAINER.								1
6	66-2590-1	. SPACER, CARGO DOOR WINDOW RETAINER RING								1
		. FOR REFERENCE TO OTHER DOOR DETAILS, SEE NHA.								

MISSING ITEM NUMBERS ARE NOT APPLICABLE

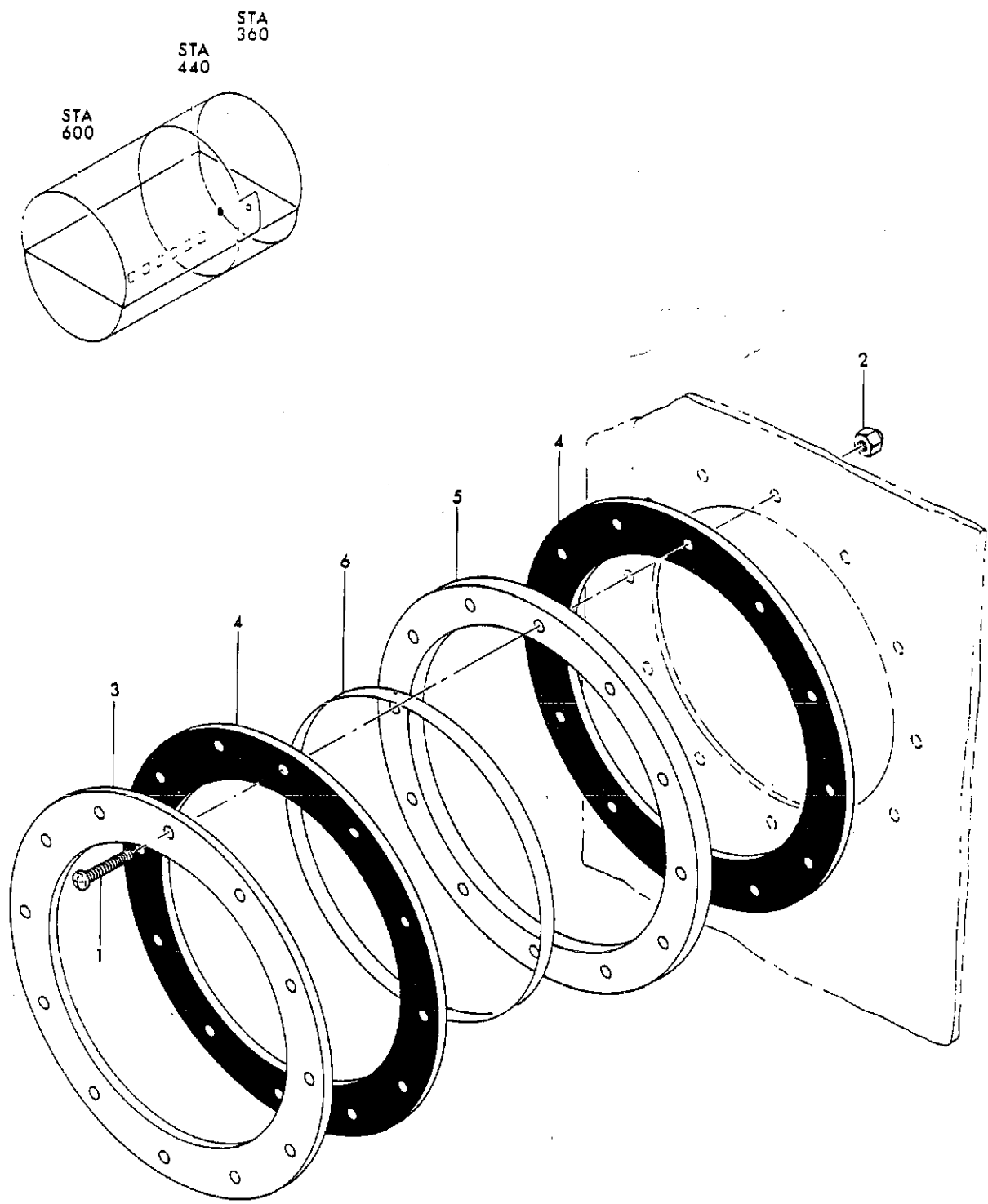


FIGURE 5. DOOR ASSY. STATION 400 (WINDOWS ONLY)

BOEING *707*
Intercontinental 
PARTS CATALOG

FIGURE & ITEM NO.	MANUFACTURER'S PART NUMBER	NOMENCLATURE							EFF FROM TO	UNITS PER ASSY
		1	2	3	4	5	6	7		
5	65-8393-6	DOOR ASSY, STATION 400 (WINDOWS ONLY) (SEE 24-13, FIG. 103, ITEM 3)							5199	RF
1	NAS603-14P	. SCREW							5199	12
2	BACN10JC3	. NUT							5199	12
3	66-2590	. RING, CARGO DOOR WINDOW RETAINER.							5199	1
4	66-2591	. GASKET, CARGO DOOR WINDOW RETAINER.							5199	2
5	69-16926-1	. SPACER, CARGO DOOR WINDOW RETAINER.							5199	1
6	6-72432	. WINDOW ASSY, LAMINATED GLASS INSPECTION							5199	1
		. FOR REFERENCE TO OTHER DOOR DETAILS, SEE NHA.							5199	

MISSING ITEM NUMBERS ARE NOT APPLICABLE

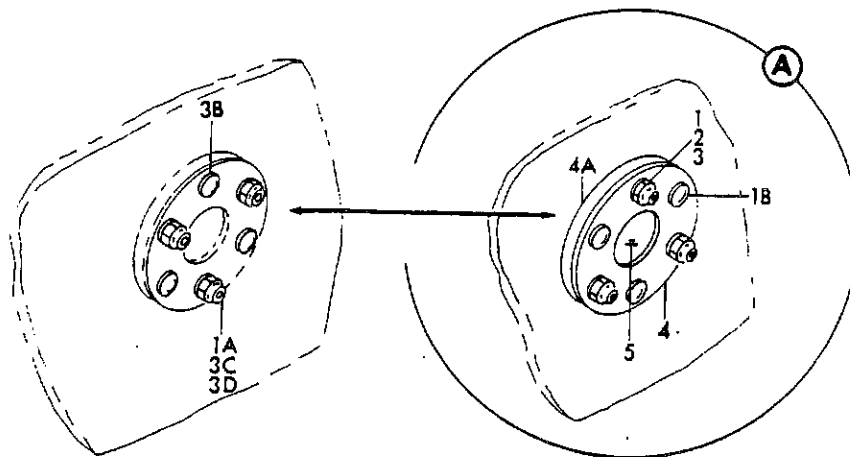
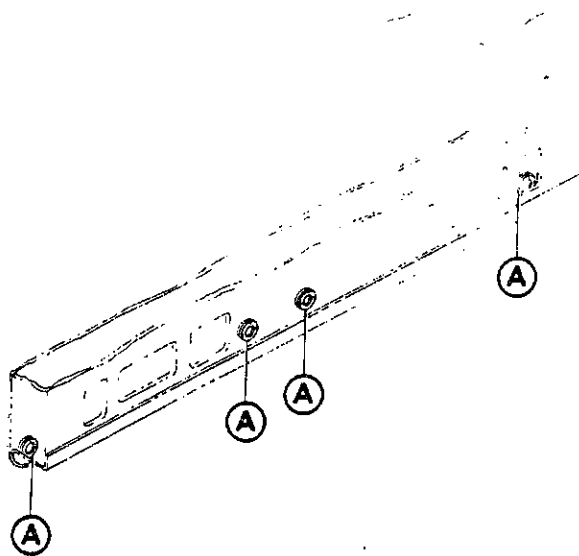
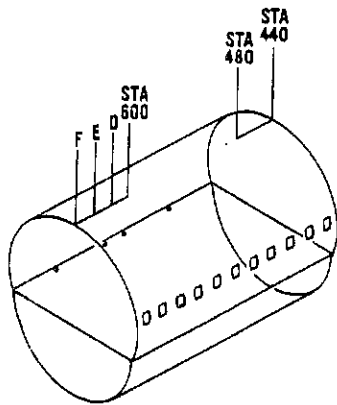


FIGURE 7. BEAM INSTL. MAIN CARGO DOOR LOWER (WINDOWS ONLY)

BOEING *707* 
Intercontinental
PARTS CATALOG

FIGURE & ITEM NO.	MANUFACTURER'S PART NUMBER	NOMENCLATURE							EFF FROM TO	UNITS PER ASSY
		1	2	3	4	5	6	7		
7	65-25338-1	BEAM INSTL, MAIN CARGO DOOR LOWER (WINDOWS ONLY) (SEE 52-3, FIG. 16, ITEM 41)								RF
R	1	NAS517-2-4	.	SCREW	0150	12
R	1A	BACB30LU2-7	.	BOLT	5199	12
R	1B	BACR15CED5	.	RIVET	0150	12
R	2	AN960PD8	.	WASHER	0150	12
R	3	NAS679A08W	.	NUT	0150	12
R	3B	BACR15CED5	.	RIVET	5199	12
R	3C	AN960PD8	.	WASHER	5199	12
R	3D	NAS679A08W	.	NUT	5199	12
	4	66-19183-1	.	RETAINER, MAIN CARGO DOOR OBSERVATION WINDOW		4
	4A	69-25986-1	.	DOUBLER		4
	5	66-19177-1	.	WINDOW, MAIN CARGO DOOR EXTERIOR PANE OBSERVATION		4
			.	FOR REFERENCE TO OTHER BEAM DETAILS, SEE NHA		

MISSING ITEM NUMBERS ARE NOT APPLICABLE

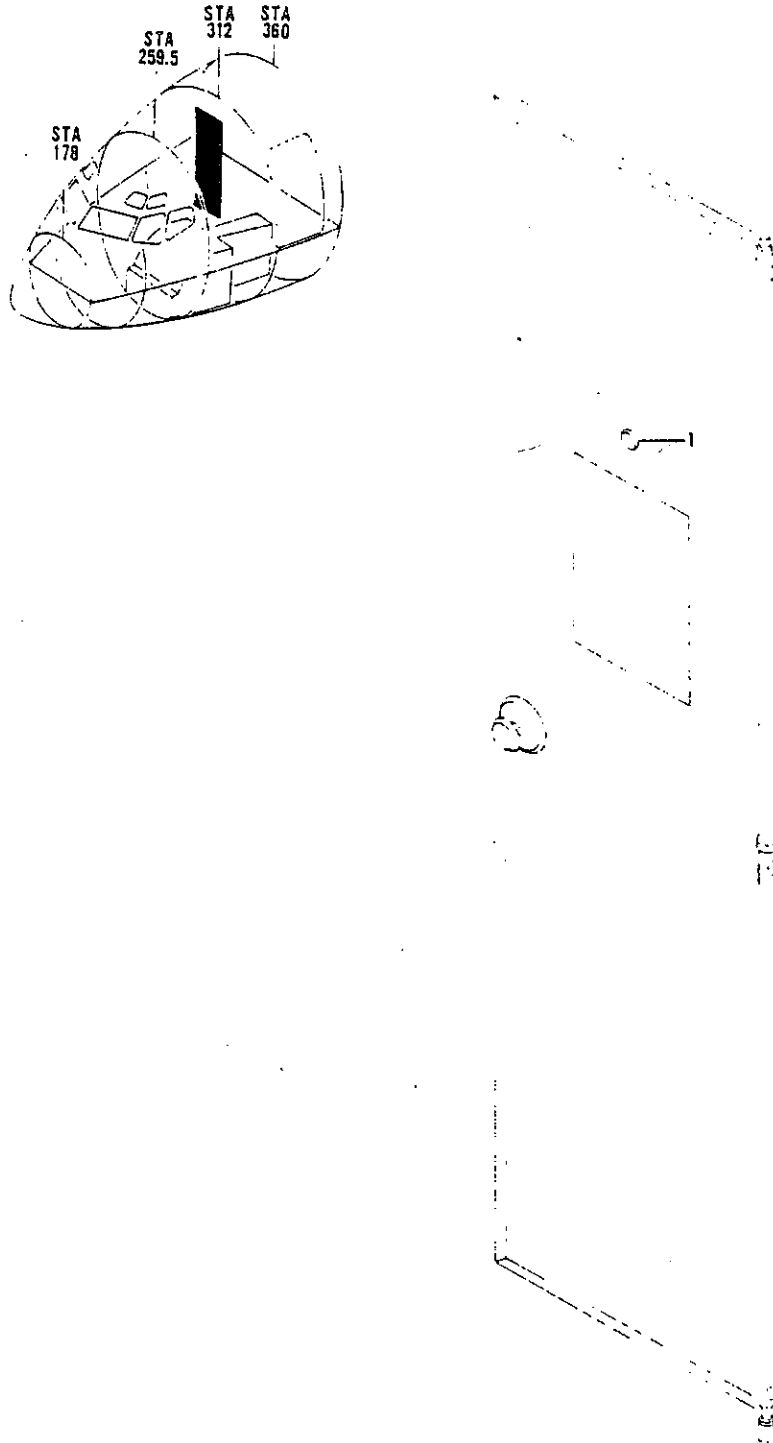


FIGURE 8. DOOR INSTL, STATION 302 PARTITION (WINDOWS ONLY)
 DOOR ASSY, STATION 302 PARTITION (WINDOWS ONLY)



PARTS CATALOG

FIGURE & ITEM NO.	MANUFACTURER'S PART NUMBER	NOMENCLATURE							EFF FROM TO	UNITS PER ASSY	
		1	2	3	4	5	6	7			
R R R R R R R R R R R R	8	65-4882-138Y	DOOR ASSY, STATION 302 PARTITION (WINDOWS ONLY) (SEE . . . 0150								RF
		65-70376-1	52-4, FIG. 8, ITEM 9) DOOR INSTL, STATION 302 PARTITION (WINDOWS ONLY) (SEE . . . 5199								RF
			25-1, FIG. 20F, ITEM 7, 25-1, FIG. 20L, ITEM 13, 25-1, FIG. 20N, ITEM 24, 25-1, FIG. 20Q, ITEM 25, 25-1, FIG. 20S, ITEM 26, 25-1, FIG. 21K, ITEM 25, 25-1, FIG. 21L, ITEM 26, 25-1, FIG. 21M, ITEM 26, 25-1, FIG. 21N, ITEM 25, 25-1, FIG. 23E, ITEM 24, 25-1, FIG. 23J, ITEM 24, 25-1, FIG. 23M, ITEM 25, 25-1, FIG. 23X, ITEM 25, 25-1, FIG. 23Z, ITEM 25, 25-1, FIG. 174, ITEM 15, 25-1, FIG. 174A, ITEM 23, 25-1, FIG. 174B, ITEM 40, 25-1, FIG. 174C, ITEM 26D, 25-1, FIG. 174D, ITEM 28, 25-1, FIG. 174E, ITEM 41, 25-1, FIG. 174G, ITEM 22, 25-1, FIG. 174H, ITEM 33 AND 25-17, FIG. 16A, ITEM 1)								
	1	335X3-4	. OBSERV-O-SCOPE, (V26021). 5199								1
	1	65-70376-59	. OBSERV-O-SCOPE, (ALTERED FROM 0155 (V44655)). 5199								1
			. FOR REFERENCE TO OTHER DOOR DETAILS, SEE NHA.								

MISSING ITEM NUMBERS ARE NOT APPLICABLE