



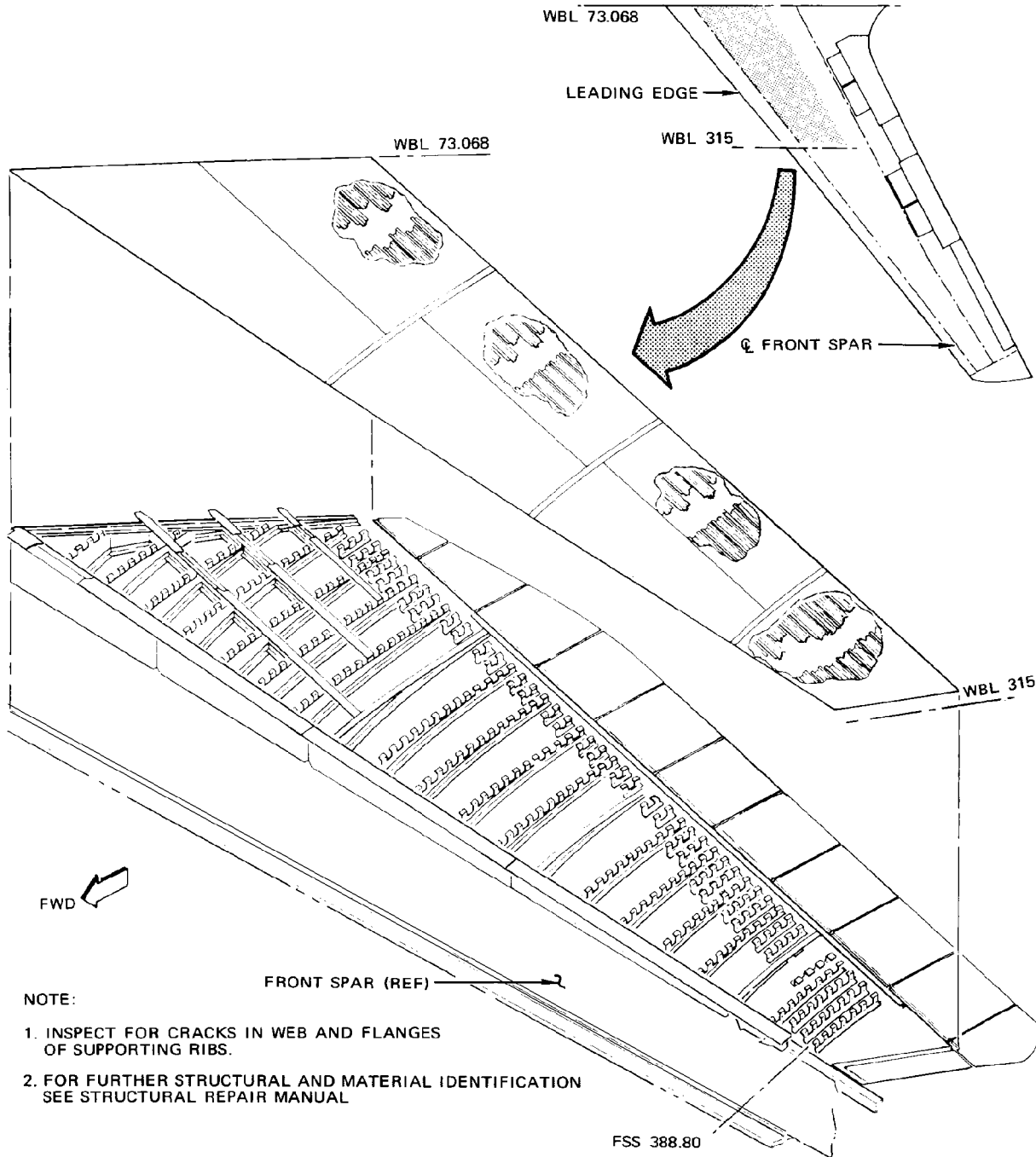
NONDESTRUCTIVE TEST

PART 2 - X-RAY

WINGS - AUXILIARY STRUCTURE

Purpose

To detect cracks in structure which supports fiberglass leading edge extension fairing.



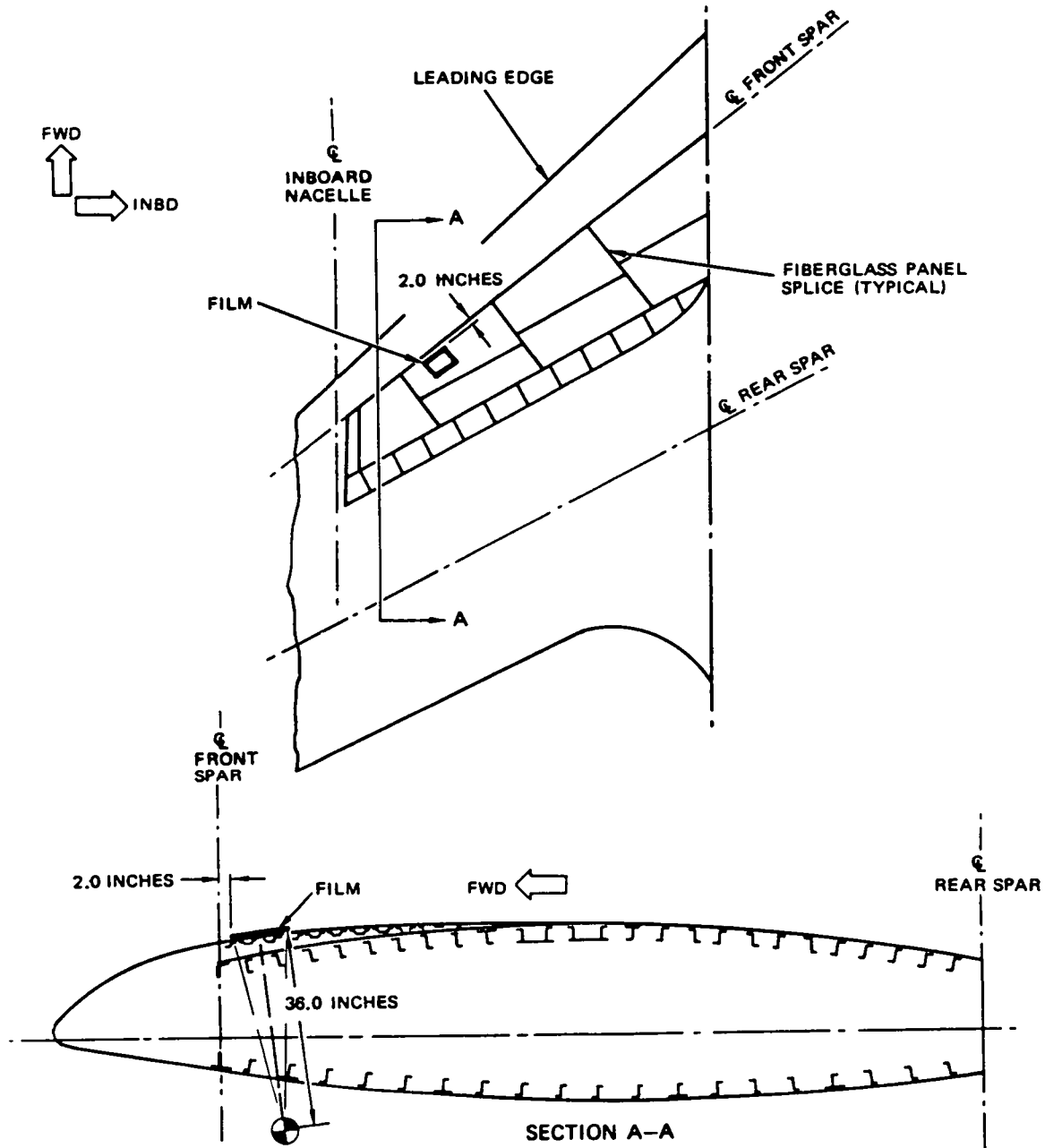
Fiberglass Extension Support Structure
Figure 1 (Sheet 1)

BOEING 
COMMERCIAL JET
NONDESTRUCTIVE TEST

ALL 707-720

PART 2 - X-RAY

WINGS



EXPOSURE NUMBER	FILM			SFD	GENERATOR SETTINGS	
	POSITION	ASTM CLASS	SIZE		KV	MAS
*[1]	*[1]	I	11 x 14	36	155-165	2400

*[1] USE AS MANY EXPOSURES AS REQUIRED FOR EACH SUPPORTING RIB