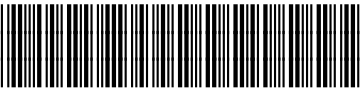



sabena [®] B707	Module: GENERAL	A/C Reg :	Check :	
	Oper. : RT-MP LC			
	Type : OPEN	Issuer : A43710	Cert.St.: 24828	01C1000500
Spec. : GENERAL	Release Date: 16.10.2001		Page 1 of 8	

OPEN-INTERIOR ACCESS PANELS

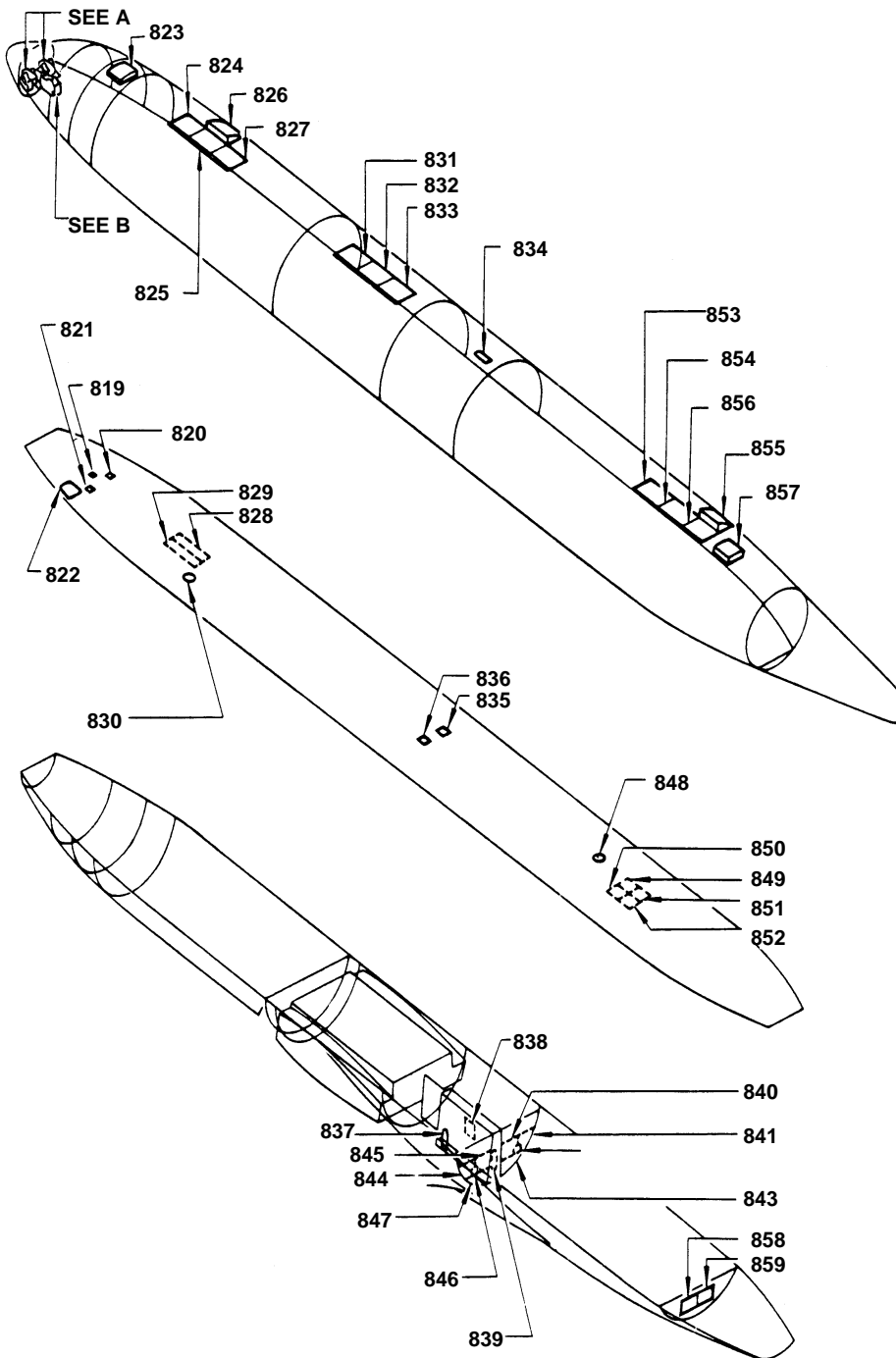
Execution / Start Date:	
End Date:	

MAINT	RII/INSP


sabena B707	Module: GENERAL	A/C Reg :	Check :	 01C1000500 Page 2 of 8
	Oper. : RT-MP LC			
	Type : OPEN	Issuer : A43710	Cert.St.: 24828	
	Spec. : GENERAL	Release Date: 16.10.2001		

OPEN-INTERIOR ACCESS PANELS

					MAINT	RII/INSP
Nr.	Hardtime	Task	Spec.	Related Documents		
1.			GEN			
Check: C2						
Zones:						
Access:						

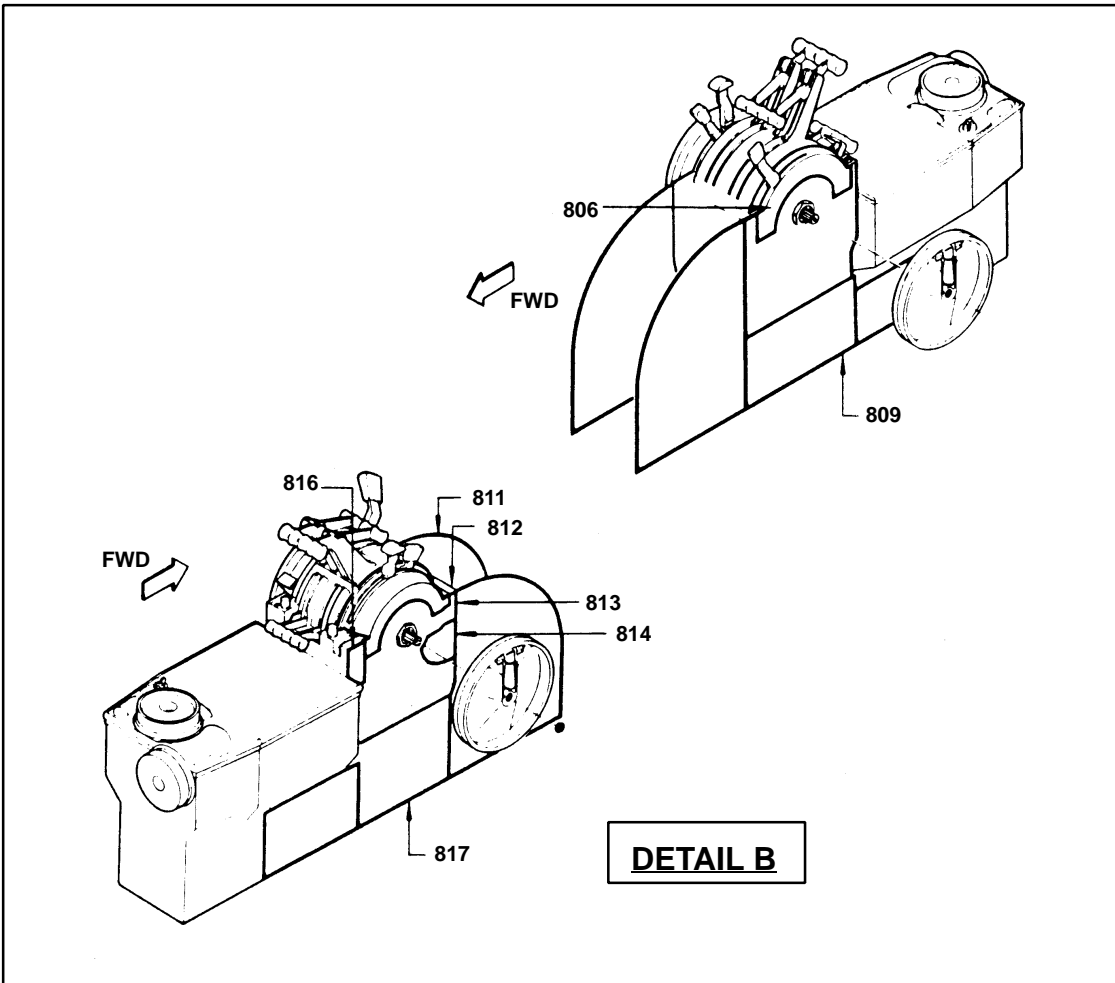
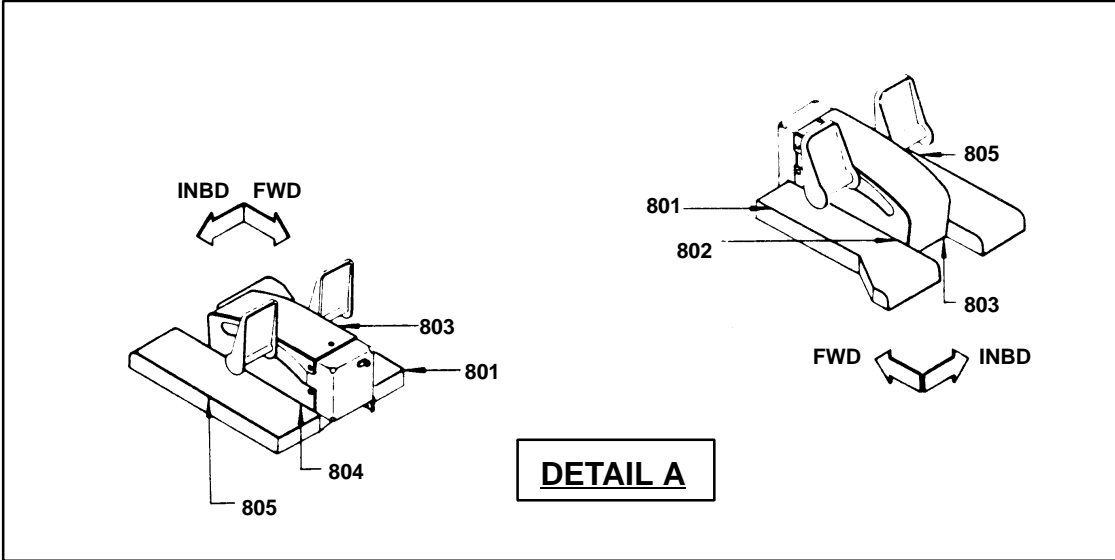


OPEN-INTERIOR ACCESS PANELS


sabena B707	Module: GENERAL	A/C Reg :	Check :	
	Oper. : RT-MP LC			
	Type : OPEN	Issuer : A43710	Cert.St.: 24828	01C1000500
	Spec. : GENERAL	Release Date: 16.10.2001		Page 3 of 8

OPEN-INTERIOR ACCESS PANELS

MAINT	RII/INSP
--------------	-----------------

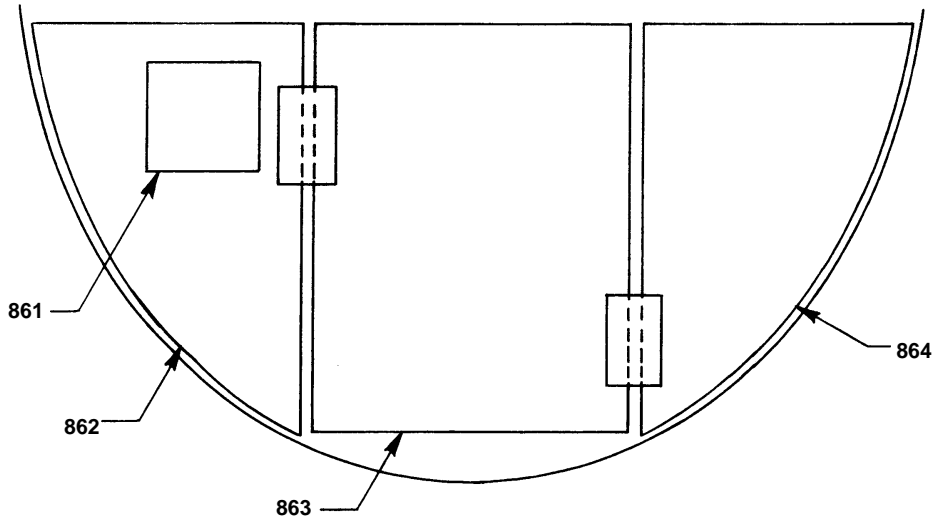


OPEN-INTERIOR ACCESS PANELS

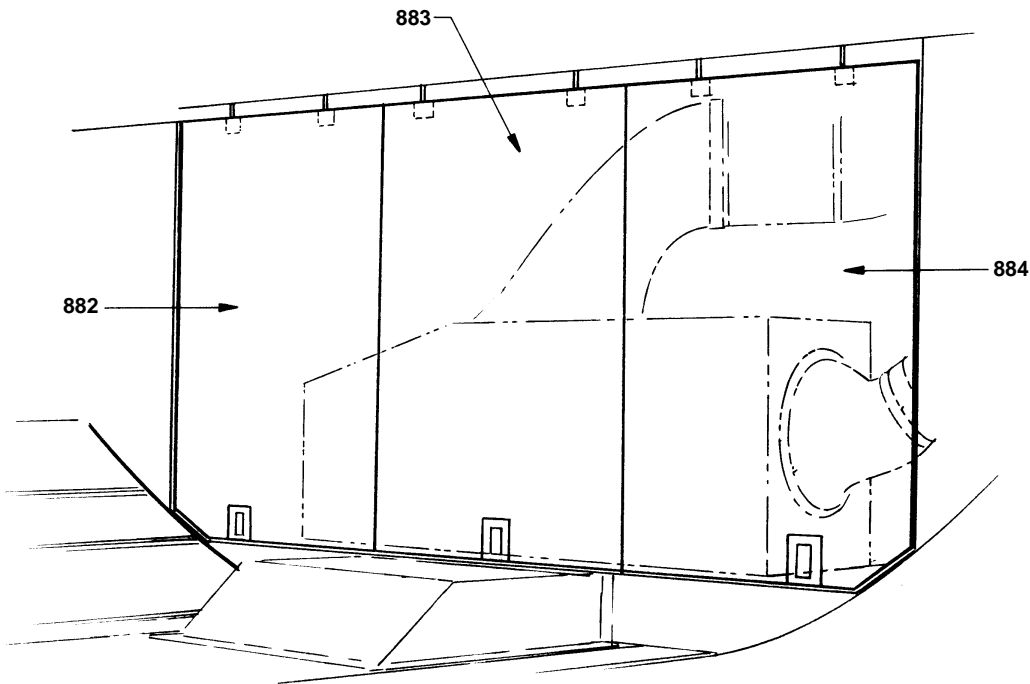
sabena B707	Module: GENERAL	A/C Reg :	Check :	
	Oper. : RT-MP LC			
	Type : OPEN	Issuer : A43710	Cert.St.: 24828	01C1000500
	Spec. : GENERAL	Release Date: 16.10.2001		Page 4 of 8

OPEN-INTERIOR ACCESS PANELS

MAINT	RII/INSP
--------------	-----------------

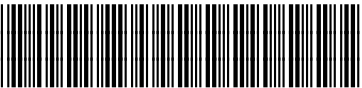


**AIR CONDITIONING EQUIPMENT ACCESS PANELS
FWD CARGO COMPARTMENT**



APU ACCESS PANELS (AFT CARGO COMPARTMENT)

OPEN-INTERIOR ACCESS PANELS

sabena B707	Module: GENERAL	A/C Reg :	Check :	 01C1000500 Page 5 of 8
	Oper. : RT-MP LC			
	Type : OPEN	Issuer : A43710	Cert.St.: 24828	
	Spec. : GENERAL	Release Date: 16.10.2001		

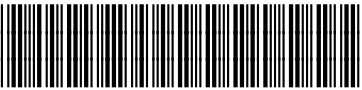
OPEN-INTERIOR ACCESS PANELS

MAINT RII/INSP

IMPORTANT! Also open all access panels of the lower checks !!!

A	B	C	C1	C2	S	S1	S2	DESCRIPTION	PANEL NO	OPEN
								HEEL REST PANEL	801	
								RUDDER PEDAL ACCESS PANEL	802	
								RUDDER PEDAL ARM ACCESS PANEL	803	
								RUDDER PEDAL ACCESS PANEL	804	
								HEEL REST PANEL	805	
								LEFT ACCESS COVER	806	
								LWR SIDE PANEL	809	
								FLAP WARNING SW ACCESS PANEL	811	
								RIGHT ACCESS PANEL	812	
								RIGHT UPPER SIDE PANEL	813	
								FLAP CAM FOLLOWER BEARING LUBE ACCESS	814	
								RIGHT REAR ACCESS PANEL	816	
								RIGHT LOWER ACCESS PANEL	817	
								NOSE GEAR EMER.. EXTENSION ACCESS DOOR	819	
								RH MAIN GEAR EMER.. EXTENSION ACCESS DOOR	820	
								LH MAIN GEAR EMER.. EXTENSION ACCESS DOOR	821	
								LWR NOSE COMP INTERIOR ACCESS DOOR	822	
								ESCAPE SLIDE FWD ENTRY DOOR	823	
								LIFE RAFT COMPARTMENT	824	
								LIFE RAFT COMPARTMENT	825	

OPEN-INTERIOR ACCESS PANELS

sabena B707	Module: GENERAL	A/C Reg :	Check :	 01C1000500 Page 6 of 8
	Oper. : RT-MP LC			
	Type : OPEN	Issuer : A43710	Cert.St.: 24828	
	Spec. : GENERAL	Release Date: 16.10.2001		

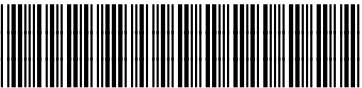
OPEN-INTERIOR ACCESS PANELS

MAINT RII/INSP

IMPORTANT! Also open all access panels of the lower checks !!!

A	B	C	C1	C2	S	S1	S2	DESCRIPTION	PANEL NO	OPEN
								ESCAPE SLIDE FWD GALLEY	826	
								EMERGENCY EQUIPMENT COMPARTMENT	827	
								FWD CARGO COMP CEILING ACCESS PANELS	828	
								FWD CARGO COMP CEILING ACCESS PANELS	829	
								FWD CARGO COMP VIEWER ACCESS PANELS	830	
								LIFE RAFT COMPARTMENT	831	
								LIFE RAFT COMPARTMENT	832	
								LIFE RAFT COMPARTMENT	833	
								BEACON LIGHT ACCESS PANEL	834	
								LANDING GEAR INSPECTION WINDOW ACCESS PANEL	835	
								LANDING GEAR INSPECTION WINDOW ACCESS PANEL	836	
								WATER INJECTION TANK LH ACCESS PANEL	837	
								WATER INJECTION TANK RH ACCESS PANEL	838	
								WATER INJECTION TANK RH AFT ACCESS PANEL	839	
								WHEEL WELL NOISE SUPPRESSING FAIRING	840	
								WHEEL WELL NOISE SUPPRESSING FAIRING	841	
								STARTER AIR BOTTLE FITTING ACCESS PANEL	842	
								WHEEL WELL NOISE SUPPRESSING FAIRING	843	
								WHEEL WELL NOISE SUPPRESSING FAIRING	844	
								WHEEL WELL NOISE SUPPRESSING FAIRING	845	

OPEN-INTERIOR ACCESS PANELS

sabena B707	Module: GENERAL	A/C Reg :	Check :	 01C1000500 Page 7 of 8
	Oper. : RT-MP LC			
	Type : OPEN	Issuer : A43710	Cert.St.: 24828	
	Spec. : GENERAL	Release Date: 16.10.2001		


OPEN-INTERIOR ACCESS PANELS

MAINT RII/INSP

IMPORTANT! Also open all access panels of the lower checks !!!

A	B	C	C1	C2	S	S1	S2	DESCRIPTION	PANEL NO	OPEN
								STARTER AIR BOTTLE FITTING ACCESS PANEL	846	
								WHEEL WELL NOISE SUPPRESSING FAIRING	847	
								AFT CARGO COMP VIEWER ACCESS PANELS	848	
								AFT CARGO COMP CEILING ACCESS PANELS	849	
								AFT CARGO COMP CEILING ACCESS PANELS	850	
								AFT CARGO COMP CEILING ACCESS PANELS	851	
								AFT CARGO COMP CEILING ACCESS PANELS	852	
								PASSENGER OXYGEN ACCESS PANEL	853	
								LIFE RAFT COMPARTMENT	854	
								ESCAPE SLIDE AFT GALLEY	855	
								LIFE RAFT COMPARTMENT	856	
								ESCAPE SLIDE AFT ENTRY DOOR	857	
				X				AFT CARGO COMP BULKHEAD ACCESS PANEL	858	
				X				AFT CARGO COMP BULKHEAD ACCESS PANEL	859	
								AIR COND EQUIP COMP ACCESS PANEL	861	
								AIR COND EQUIP COMP ACCESS PANEL	862	
				X				AIR COND EQUIP COMP ACCESS PANEL	863	
								AIR COND EQUIP COMP ACCESS PANEL	864	
								APU ACCESS PANELS	882	
								APU ACCESS PANELS	883	

OPEN-INTERIOR ACCESS PANELS

sabena B707	Module: GENERAL	A/C Reg :	Check :	
	Oper. : RT-MP LC			
	Type : OPEN	Issuer : A43710	Cert.St.: 24828	01C1000500
	Spec. : GENERAL	Release Date: 16.10.2001		Page 8 of 8

OPEN-INTERIOR ACCESS PANELS

MAINT RII/INSP

IMPORTANT! Also open all access panels of the lower checks !!!

A	B	C	C1	C2	S	S1	S2	DESCRIPTION	PANEL NO	OPEN
								APU ACCESS PANELS	884	
				X				SHROUDING IN FWD SECTION OF AFT CARGO		