



sabena [®] B707	Module: GENERAL	A/C Reg :	Check :	
	Oper. : RT-MP LC			
	Type : CLOSE	Issuer : A43710	Cert.St.: 24828	01L2000500
Spec. : GENERAL	Release Date: 16.10.2001		Page 1 of 8	

CLOSE-INTERIOR ACCESS PANELS

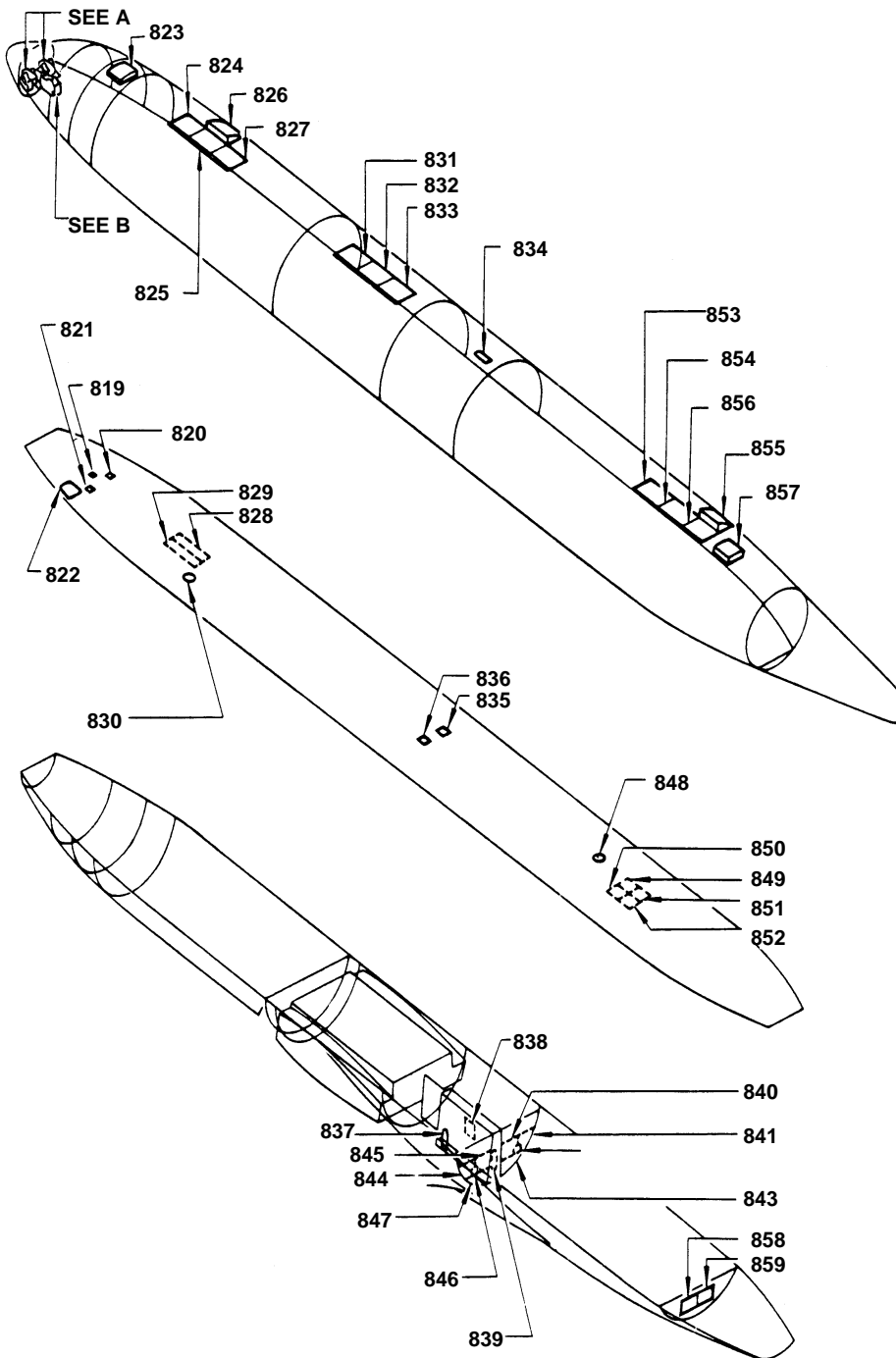
Execution / Start Date:	
End Date:	

MAINT	RII/INSP


sabena B707	Module: GENERAL	A/C Reg :	Check :	 01L2000500 Page 2 of 8
	Oper. : RT-MP LC			
	Type : CLOSE	Issuer : A43710	Cert.St.: 24828	
	Spec. : GENERAL	Release Date: 16.10.2001		

CLOSE-INTERIOR ACCESS PANELS

					MAINT	RII/INSP
Nr.	Hardtime	Task	Spec.	Related Documents		
1.			GEN			
Check: C2						
Zones:						
Access:						

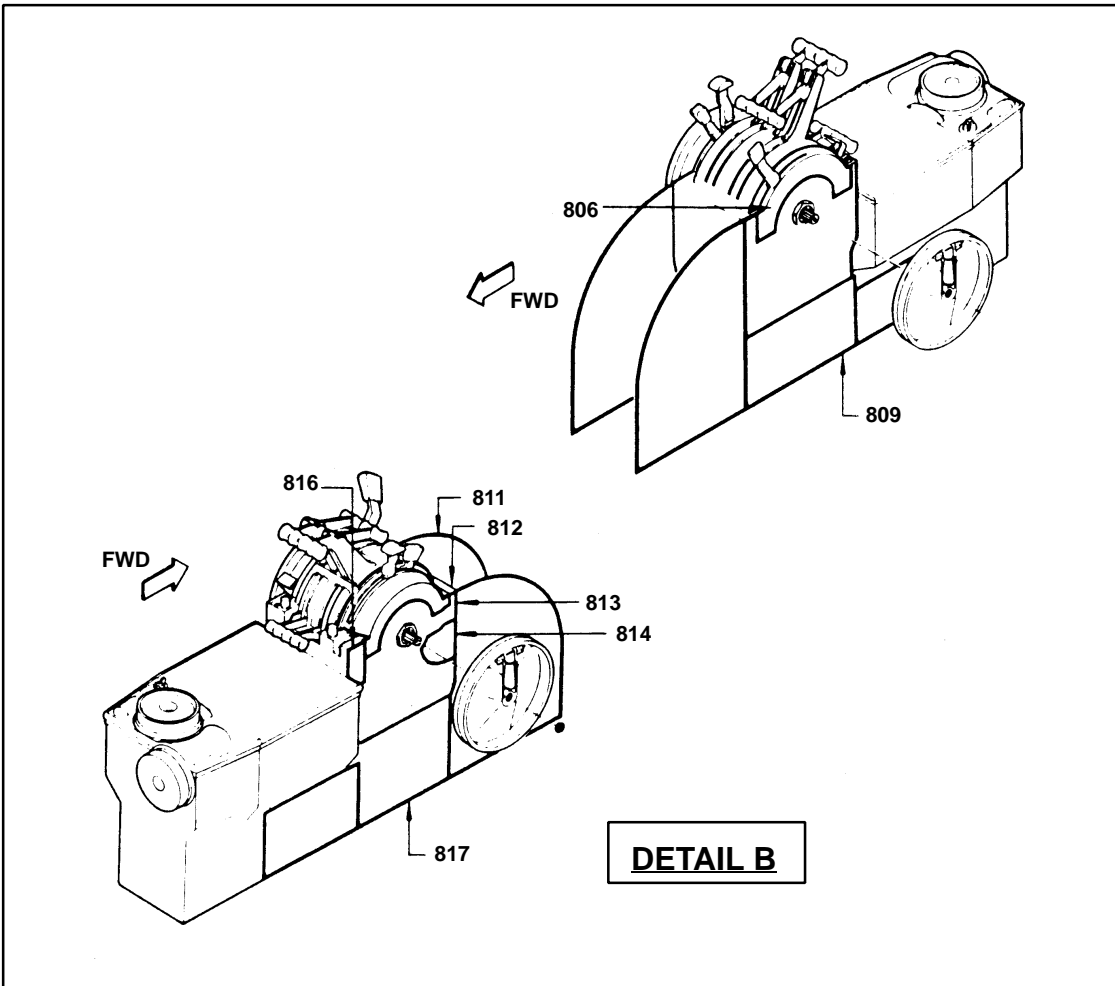
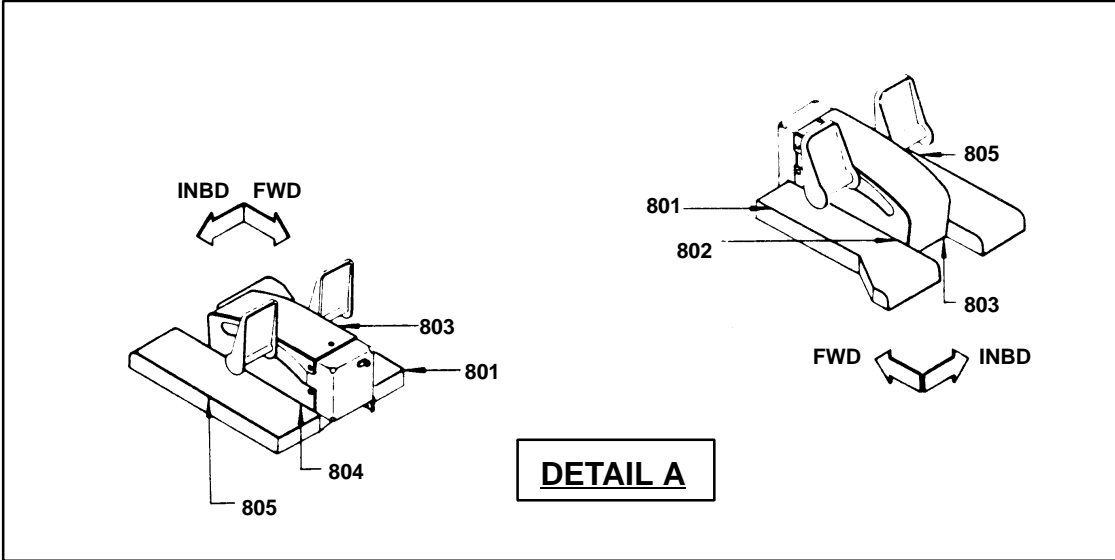


CLOSE-INTERIOR ACCESS PANELS


sabena B707	Module: GENERAL	A/C Reg :	Check :	
	Oper. : RT-MP LC			
	Type : CLOSE	Issuer : A43710	Cert.St.: 24828	01L2000500
	Spec. : GENERAL	Release Date: 16.10.2001		Page 3 of 8

CLOSE-INTERIOR ACCESS PANELS

MAINT	RII/INSP
--------------	-----------------

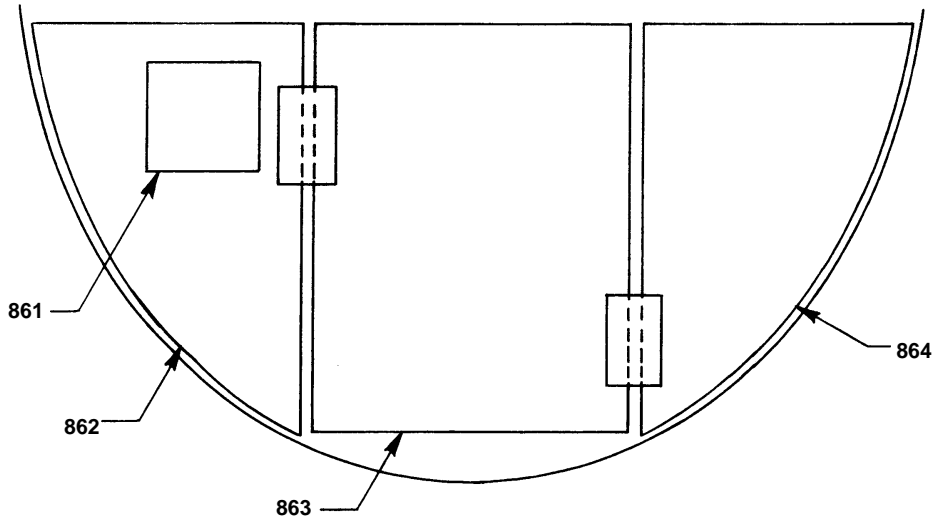


CLOSE-INTERIOR ACCESS PANELS

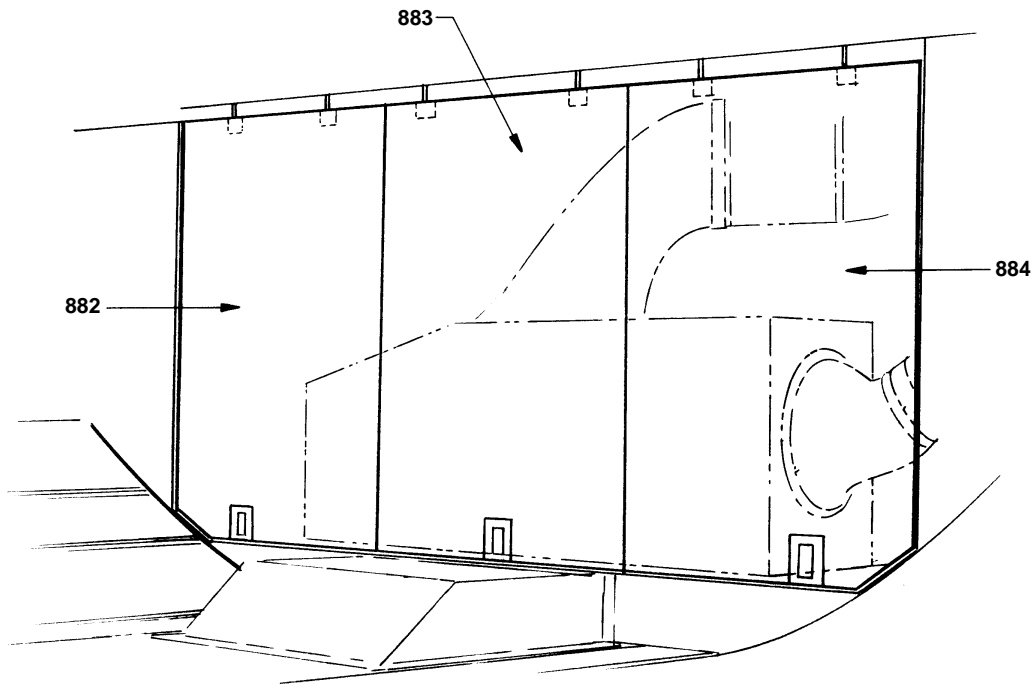
sabena B707	Module: GENERAL	A/C Reg :	Check :	 01L2000500
	Oper. : RT-MP LC	Issuer : A43710	Cert.St.: 24828	
	Type : CLOSE	Release Date: 16.10.2001		Page 4 of 8
	Spec. : GENERAL			

CLOSE-INTERIOR ACCESS PANELS

MAINT	RII/INSP




**AIR CONDITIONING EQUIPMENT ACCESS PANELS
FWD CARGO COMPARTMENT**



APU ACCESS PANELS (AFT CARGO COMPARTMENT)

CLOSE-INTERIOR ACCESS PANELS

sabena B707	Module: GENERAL	A/C Reg :	Check :	
	Oper. : RT-MP LC			
	Type : CLOSE	Issuer : A43710	Cert.St.: 24828	01L2000500
	Spec. : GENERAL	Release Date: 16.10.2001		Page 5 of 8


CLOSE-INTERIOR ACCESS PANELS

MAINT RII/INSP

IMPORTANT! Also close all access panels of the lower checks !!!

A	B	C	C1	C2	S	S1	S2	DESCRIPTION	PANEL NO	OK TO-CLOSE	CLOSE
								HEEL REST PANEL	801		
								RUDDER PEDAL ACCESS PANEL	802		
								RUDDER PEDAL ARM ACCESS PANEL	803		
								RUDDER PEDAL ACCESS PANEL	804		
								HEEL REST PANEL	805		
								LEFT ACCESS COVER	806		
								LWR SIDE PANEL	809		
								FLAP WARNING SW ACCESS PANEL	811		
								RIGHT ACCESS PANEL	812		
								RIGHT UPPER SIDE PANEL	813		
								FLAP CAM FOLLOWER BEARING LUBE ACCESS	814		
								RIGHT REAR ACCESS PANEL	816		
								RIGHT LOWER ACCESS PANEL	817		
								NOSE GEAR EMER.. EXTENSION ACCESS DOOR	819		
								RH MAIN GEAR EMER.. EXTENSION ACCESS DOOR	820		
								LH MAIN GEAR EMER.. EXTENSION ACCESS DOOR	821		
								LWR NOSE COMP INTERIOR ACCESS DOOR	822		
								ESCAPE SLIDE FWD ENTRY DOOR	823		
								LIFE RAFT COMPARTMENT	824		
								LIFE RAFT COMPARTMENT	825		

CLOSE-INTERIOR ACCESS PANELS

sabena B707	Module: GENERAL	A/C Reg :	Check :	 01L2000500 Page 6 of 8
	Oper. : RT-MP LC			
	Type : CLOSE	Issuer : A43710	Cert.St.: 24828	
	Spec. : GENERAL	Release Date: 16.10.2001		


CLOSE-INTERIOR ACCESS PANELS

MAINT RII/INSP

IMPORTANT! Also close all access panels of the lower checks !!!

A	B	C	C1	C2	S	S1	S2	DESCRIPTION	PANEL NO	OK TO CLOSE	CLOSE
								ESCAPE SLIDE FWD GALLEY	826		
								EMERGENCY EQUIPMENT COMPARTMENT	827		
								FWD CARGO COMP CEILING ACCESS PANELS	828		
								FWD CARGO COMP CEILING ACCESS PANELS	829		
								FWD CARGO COMP VIEWER ACCESS PANELS	830		
								LIFE RAFT COMPARTMENT	831		
								LIFE RAFT COMPARTMENT	832		
								LIFE RAFT COMPARTMENT	833		
								BEACON LIGHT ACCESS PANEL	834		
								LANDING GEAR INSPECTION WINDOW ACCESS PANEL	835		
								LANDING GEAR INSPECTION WINDOW ACCESS PANEL	836		
								WATER INJECTION TANK LH ACCESS PANEL	837		
								WATER INJECTION TANK RH ACCESS PANEL	838		
								WATER INJECTION TANK RH AFT ACCESS PANEL	839		
								WHEEL WELL NOISE SUPPRESSING FAIRING	840		
								WHEEL WELL NOISE SUPPRESSING FAIRING	841		
								STARTER AIR BOTTLE FITTING ACCESS PANEL	842		
								WHEEL WELL NOISE SUPPRESSING FAIRING	843		
								WHEEL WELL NOISE SUPPRESSING FAIRING	844		
								WHEEL WELL NOISE SUPPRESSING FAIRING	845		

CLOSE-INTERIOR ACCESS PANELS

sabena B707	Module: GENERAL	A/C Reg :	Check :	
	Oper. : RT-MP LC			
	Type : CLOSE	Issuer : A43710	Cert.St.: 24828	01L2000500
	Spec. : GENERAL	Release Date: 16.10.2001		Page 7 of 8


CLOSE-INTERIOR ACCESS PANELS

MAINT RII/INSP

IMPORTANT! Also close all access panels of the lower checks !!!

A	B	C	C1	C2	S	S1	S2	DESCRIPTION	PANEL NO	OK TO CLOSE	CLOSE
								STARTER AIR BOTTLE FITTING ACCESS PANEL	846		
								WHEEL WELL NOISE SUPPRESSING FAIRING	847		
								AFT CARGO COMP VIEWER ACCESS PANELS	848		
								AFT CARGO COMP CEILING ACCESS PANELS	849		
								AFT CARGO COMP CEILING ACCESS PANELS	850		
								AFT CARGO COMP CEILING ACCESS PANELS	851		
								AFT CARGO COMP CEILING ACCESS PANELS	852		
								PASSENGER OXYGEN ACCESS PANEL	853		
								LIFE RAFT COMPARTMENT	854		
								ESCAPE SLIDE AFT GALLEY	855		
								LIFE RAFT COMPARTMENT	856		
								ESCAPE SLIDE AFT ENTRY DOOR	857		
			X					AFT CARGO COMP BULKHEAD ACCESS PANEL	858		
			X					AFT CARGO COMP BULKHEAD ACCESS PANEL	859		
								AIR COND EQUIP COMP ACCESS PANEL	861		
								AIR COND EQUIP COMP ACCESS PANEL	862		
			X					AIR COND EQUIP COMP ACCESS PANEL	863		
								AIR COND EQUIP COMP ACCESS PANEL	864		
								APU ACCESS PANELS	882		
								APU ACCESS PANELS	883		

CLOSE-INTERIOR ACCESS PANELS

sabena B707	Module: GENERAL	A/C Reg :	Check :	
	Oper. : RT-MP LC			
	Type : CLOSE	Issuer : A43710	Cert.St.: 24828	01L2000500
	Spec. : GENERAL	Release Date: 16.10.2001		Page 8 of 8

CLOSE-INTERIOR ACCESS PANELS

MAINT RII/INSP

IMPORTANT! Also close all access panels of the lower checks !!!

A	B	C	C1	C2	S	S1	S2	DESCRIPTION	PANEL NO	OK TO CLOSE	CLOSE
								APU ACCESS PANELS	884		
			X					SHROUDING IN FWD SECTION OF AFT CARGO			