


<b>sabena</b> <sup>®</sup> <b>B707</b>	Module: LWR FUS / EMPENA	A/C Reg :	Check :	 <b>21F3000504</b>
	Oper. : RT-MP LC			
	Type : STRUCT-INSP	Issuer : A43710	Cert.St.: 24828	<b>Page 1 of 5</b>
Spec. : MECHANIC	Release Date: 03.10.2001			


AD 90-25-07 rev 6788

NOSE LDG BAY EXT SURF INSP

		MAINT	RII/INSP
Execution / Start Date:			
End Date:			

AD 90-25-07 rev 6788

NOSE LDG BAY EXT SURF INSP

<b>sabena</b> B707	Module: LWR FUS / EMPENA	A/C Reg :	Check :	 21F3000504 Page 2 of 5
	Oper. : RT-MP LC	Issuer : A43710	Cert.St.: 24828	
	Type : STRUCT-INSP	Release Date: 03.10.2001		
Spec. : MECHANIC				

AD 90-25-07 rev 6788 NOSE LDG BAY EXT SURF INSP

					MAINT	RII/INSP
Nr.	Hardtime	Task	Spec.	Related Documents		
1.		E3	MEC	AD 90-25-07 rev 6788 CPCP C53-100-01P1 rev E MMS-328 533200 01000 rev 15/05/01		
Check: C1						
Zones: 131						
Access:						

**NOSE LANDING GEAR BAY EXTERIOR SURFACE INSPECTION.**


1. Perform inspection of nose landing gear bay and nose landing gear bay doors skin panels, including NLG support structure with particular attention to the following:

–BS 360 bulkhead chord, visible portion from the nose landing gear wheel well.

2. Clear any blocked holes or gaps that may hinder drainage.

3. Apply DINITROL (only in area nose landing gear bay & interior of nose landing gear doors).

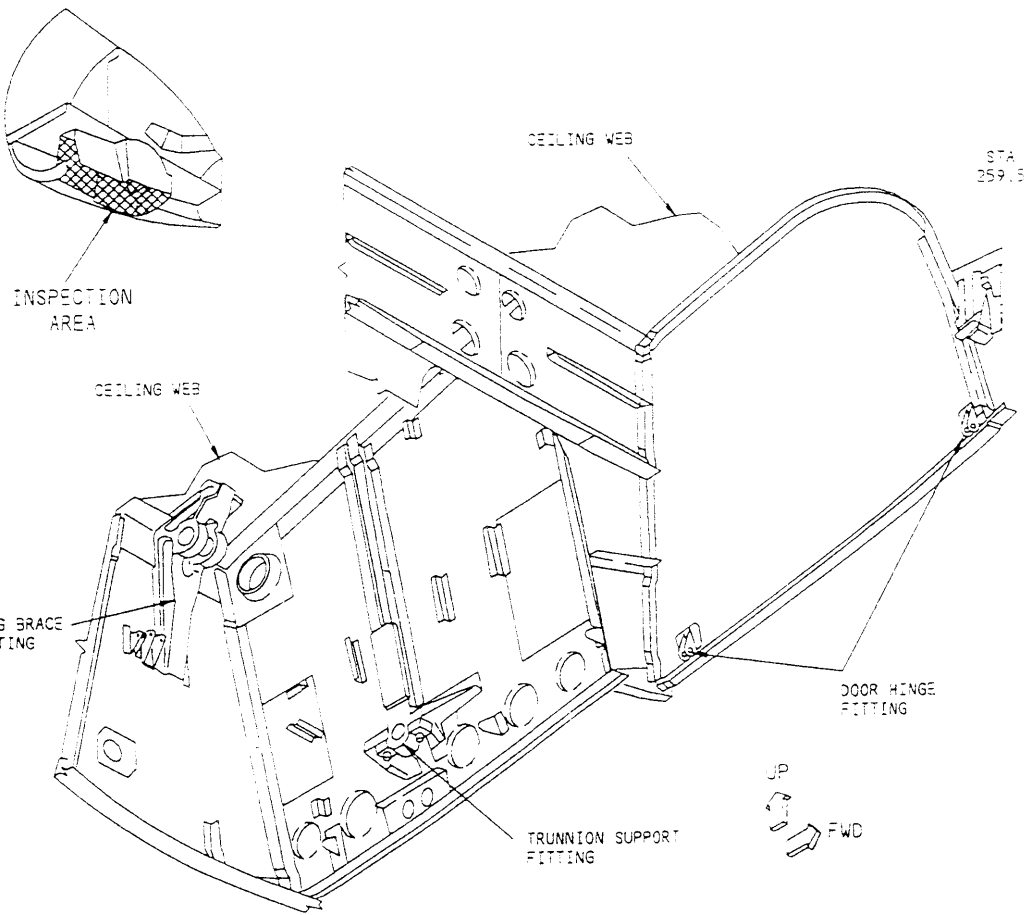
DESCRIPTION:	HIGHEST CORROSION LEVEL.				DR Nr.
	NO	1	2	3	
– BS 360 bulkhead chord, visible portion from the NLG wheel well.					

<b>sabena</b> B707	Module: LWR FUS / EMPENA	A/C Reg :	Check :	 21F3000504
	Oper. : RT-MP LC	Issuer : A43710	Cert.St.: 24828	
	Type : STRUCT-INSP	Release Date: 03.10.2001	Page 3 of 5	
Spec. : MECHANIC				

AD 90-25-07 rev 6788

NOSE LDG BAY EXT SURF INSP


MAINT	RII/INSP
-------	----------



NOSE WHEEL WELL L.H. INTERIOR STRUCTURE

AD 90-25-07 rev 6788

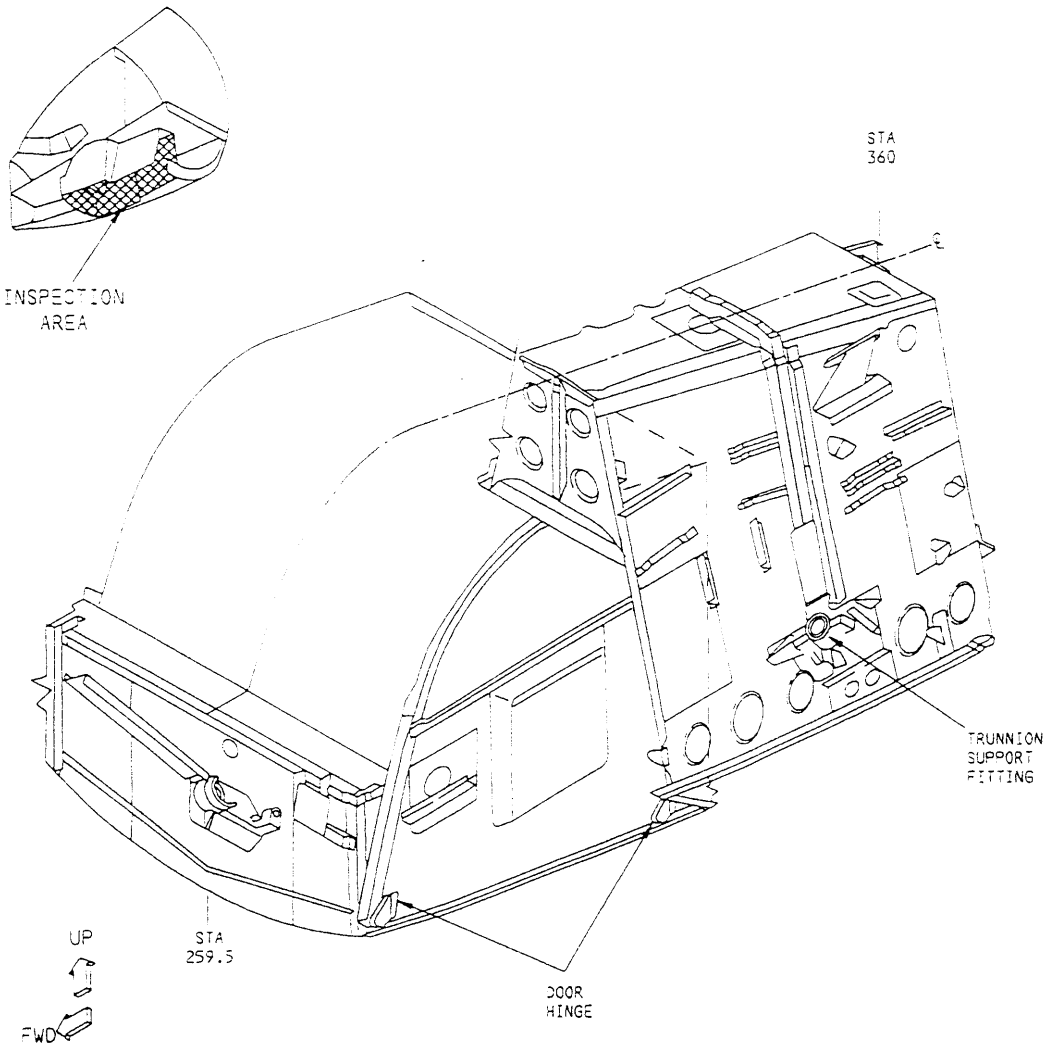
NOSE LDG BAY EXT SURF INSP

<b>sabena</b> B707	Module: LWR FUS / EMPENA	A/C Reg :	Check :	 21F3000504
	Oper. : RT-MP LC	Issuer : A43710	Cert.St.: 24828	
	Type : STRUCT-INSP	Spec. : MECHANIC	Release Date: 03.10.2001	Page 4 of 5

AD 90-25-07 rev 6788

NOSE LDG BAY EXT SURF INSP


MAINT	RII/INSP
-------	----------



NOSE WHEEL WELL R.H. INTERIOR STRUCTURE

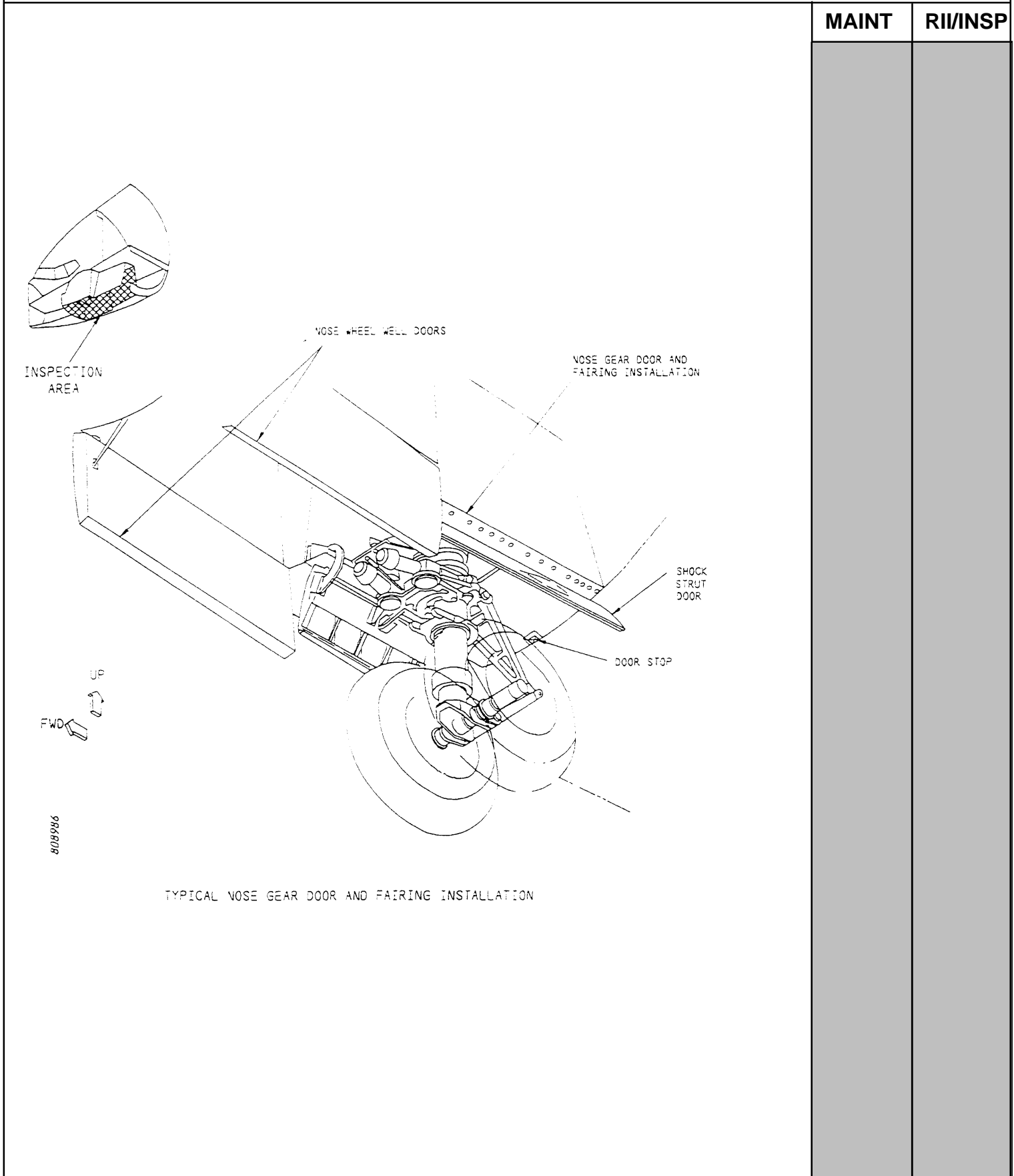
AD 90-25-07 rev 6788

NOSE LDG BAY EXT SURF INSP

<b>sabena</b> B707	Module: LWR FUS / EMPENA	A/C Reg :	Check :	 21F3000504
	Oper. : RT-MP LC	Issuer : A43710	Cert.St.: 24828	
	Type : STRUCT-INSP	Release Date: 03.10.2001	Page 5 of 5	
Spec. : MECHANIC				

AD 90-25-07 rev 6788

NOSE LDG BAY EXT SURF INSP



AD 90-25-07 rev 6788

NOSE LDG BAY EXT SURF INSP