



sabena [®] B707	Module: LWR FUS / EMPENA	A/C Reg :	Check :	 21L2000500
	Oper. : RT-MP LC			
	Type : CLOSE	Issuer : A59513	Cert.St.: 46928	Page 1 of 3
Spec. : GENERAL	Release Date: 14.12.2006			

CLOSE-BODY SECTION 41 LH & RH

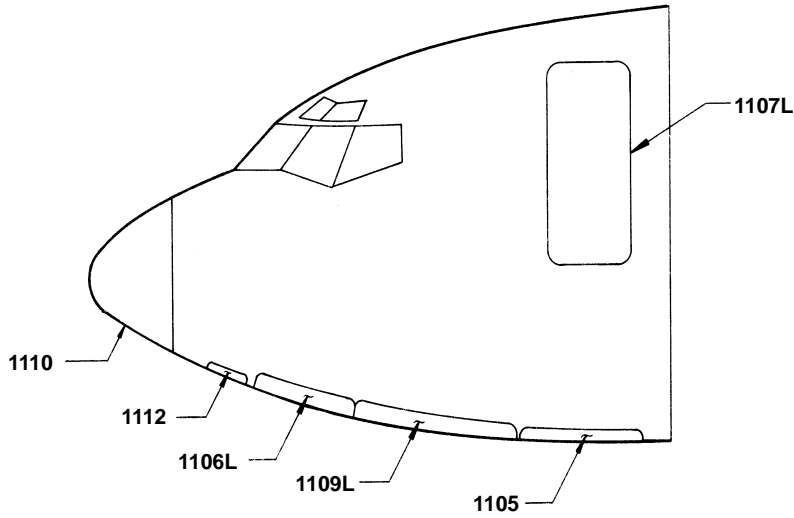
Execution / Start Date:	
End Date:	

MAINT	RII/INSP

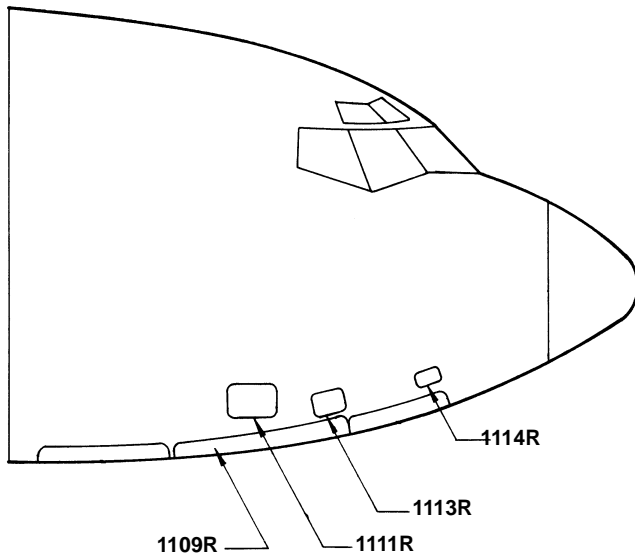
sabena B707	Module: LWR FUS / EMPENA	A/C Reg :	Check :	 21L2000500
	Oper. : RT-MP LC			
	Type : CLOSE	Issuer : A59513	Cert.St.: 46928	
Spec. : GENERAL	Release Date: 14.12.2006		Page 2 of 3	

CLOSE-BODY SECTION 41 LH & RH

					MAINT	RII/INSP
Nr.	Hardtime	Task	Spec.	Related Documents		
1.			GEN			
Check: C, C1, C2						
Zones: 100						
Access:						




BODY SECTION 41 LH SIDE



BODY SECTION 41 RH SIDE

CLOSE-BODY SECTION 41 LH & RH

sabena B707	Module: LWR FUS / EMPENA	A/C Reg :	Check :	 21L2000500 Page 3 of 3
	Oper. : RT-MP LC			
	Type : CLOSE	Issuer : A59513	Cert.St.: 46928	
	Spec. : GENERAL	Release Date: 14.12.2006		

CLOSE-BODY SECTION 41 LH & RH

MAINT RII/INSP

IMPORTANT! Also close all access panels of the lower checks !!!

A	B	C	C1	C2	S	S1	S2	DESCRIPTION	PANEL NO	OK TO CLOSE	CLOSE
								NOSE LDG FAIRING	1105		
			X	X				DOPPLER RADOME PANEL	1106L		
			X					DOPPLER RADOME PANEL	1106R		
			X	X				FWD MAIN ENTRY DOOR	1107L		
		X		X				NOSE WHEEL WELL DOOR	1109L		
		X		X				NOSE WHEEL WELL DOOR	1109R		
			X					RADOME	1110		
		X	X					FWD TOILET SERVICING DOOR	1111R		
								ANTENNA COVER PANEL	1112		
		X	X					FWD WATER SERVICING DOOR	1113R		
			X					EXTERNAL PWR RECEP. DOOR	1114R		

UARRSI INSTALLATION:

		X						CEILING PANEL: 431-10257-2 (CENTER PANEL IN COCKPIT)			
		X						ACCESS DOOR: 525-10054-84 IN COCKPIT BEHIND CEILING PANEL			
		X						CEILING PANEL BEFORE COCKPIT DOOR			

CLOSE-BODY SECTION 41 LH & RH