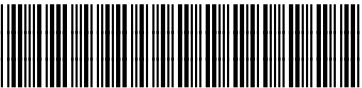



sabena [®] B707	Module: LH WING + FL CTR	A/C Reg :	Check :	 31F1000500
	Oper. : RT-MP LC			
	Type : REI-INSP	Issuer : A59513	Cert.St.: 50516	Page 1 of 2
Spec. : ELECTRICIAN	Release Date: 18.05.2010			

AUTOPILOT SPOILER POS TRANS INSP

Execution / Start Date:	
End Date:	

MAINT	RII/INSP

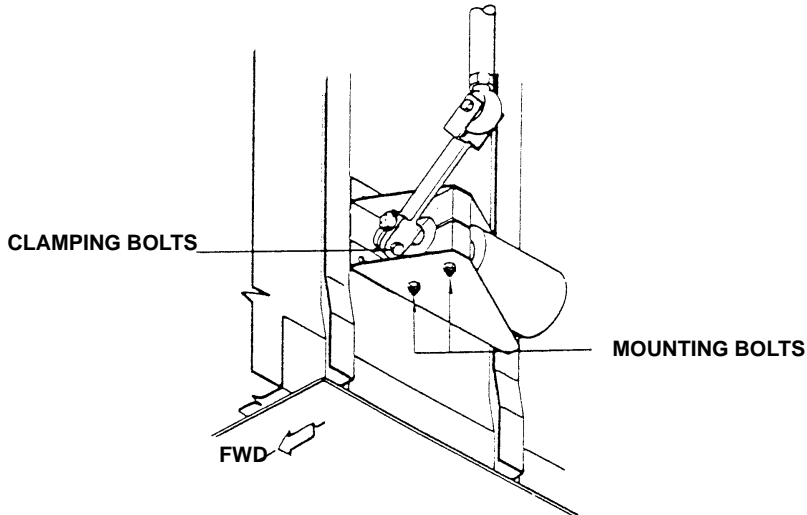
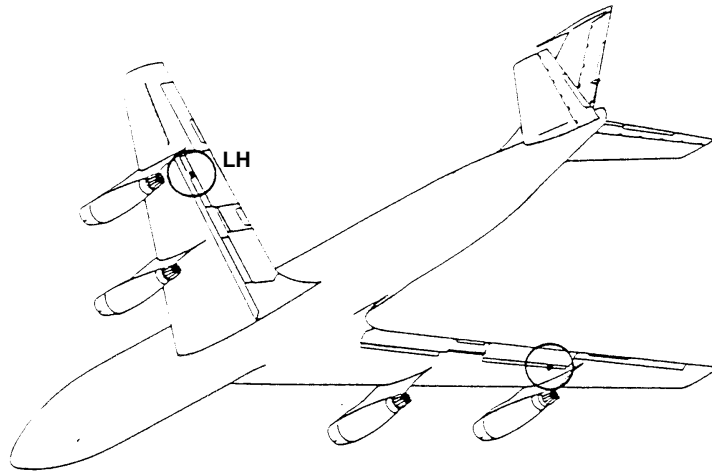
sabena B707	Module: LH WING + FL CTR	A/C Reg :	Check :	 31F1000500
	Oper. : RT-MP LC			
	Type : REI-INSP	Issuer : A59513	Cert.St.: 50516	Page 2 of 2
Spec. : ELECTRICIAN	Release Date: 18.05.2010			

AUTOPILOT SPOILER POS TRANS INSP

					MAINT	RII/INSP
Nr.	Hardtime	Task	Spec.	Related Documents		
1.		E2	REI	MMS-328 221003 00100 rev 15/05/01		
Check: C						
Zones: 582						
Access:						
NRC YES <input type="radio"/> NO <input type="radio"/>		IF YES, NUMBER(S):				

INSPECTION OF THE LH AUTOPILOT SPOILER POSITION TRANSMITTER.

Perform inspection of the LH AUTOPILOT SPOILER POSITION TRANSMITTER for condition & security including mount, linkage, connector & wiring.



SPOILER POSITION TRANSMITTER INSTALLATION