



sabena [®] B707	Module: LH WING + FL CTR	A/C Reg :	Check :	
	Oper. : RT-MP LC			
	Type : STRUCT-INSP	Issuer : A43710	Cert.St.: 24828	31F3000506
Spec. : MECH. INSP	Release Date: 05.10.2001		Page 1 of 4	

AD 90-25-07 rev 6788

LH WING OUTB EXT SURF INSP

Execution / Start Date:	
End Date:	

MAINT	RII/INSP
--------------	-----------------

sabena B707	Module: LH WING + FL CTR	A/C Reg :	Check :	
	Oper. : RT-MP LC			
	Type : STRUCT-INSP	Issuer : A43710	Cert.St.: 24828	31F3000506
Spec. : MECH. INSP	Release Date: 05.10.2001		Page 2 of 4	

AD 90-25-07 rev 6788 LH WING OUTB EXT SURF INSP


					MAINT	RII/INSP
Nr.	Hardtime	Task	Spec.	Related Documents		
1.		E3	INS	AD 90-25-07 rev 6788 CPCP C57-500-02P1 rev E MMS-328 570100 03000 rev 15/05/01		
Check: C						
Zones: 500						
Access:						

LH WING OUTBOARD EXTERIOR SURFACE INSPECTION.

1.Perform inspection of upper and lower LH wing skin around fasteners.

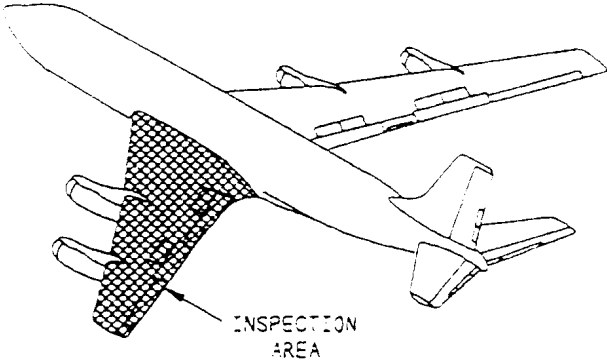
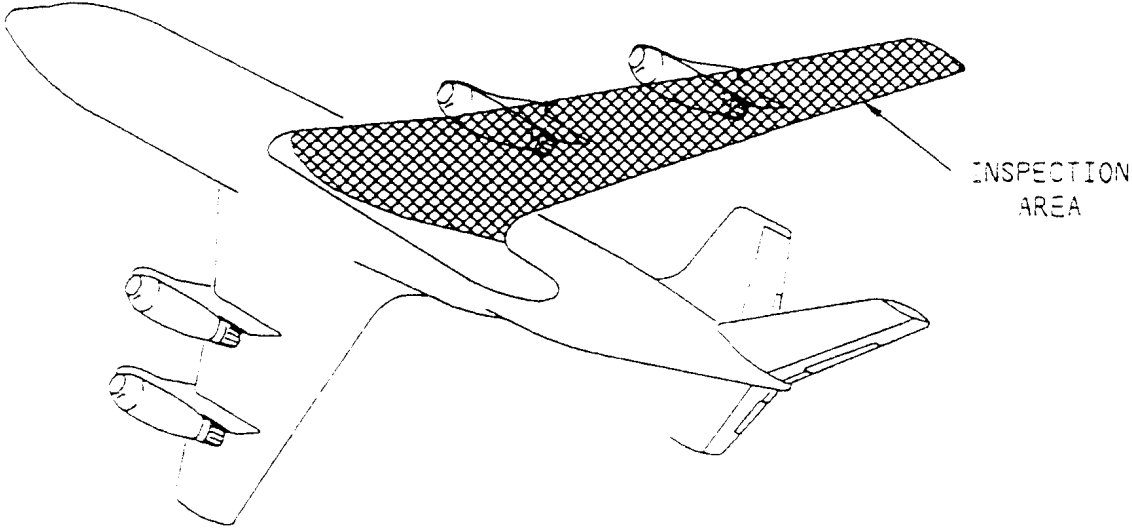
CORROSION INSPECTION SUMMARY.

DESCRIPTION:	HIGHEST CORROSION LEVEL.				DR Nr.
	NO	1	2	3	
- Upper & lower LH wing skin around fasteners.					

sabena B707	Module: LH WING + FL CTR	A/C Reg :	Check :	 31F3000506
	Oper. : RT-MP LC	Issuer : A43710	Cert.St.: 24828	
	Type : STRUCT-INSP	Release Date: 05.10.2001	Page 3 of 4	
Spec. : MECH. INSP				

AD 90-25-07 rev 6788

LH WING OUTB EXT SURF INSP

	MAINT	RII/INSP
 <p>INSPECTION AREA</p>  <p>INSPECTION AREA</p> <p>LEFT WING SHOWN</p>		

AD 90-25-07 rev 6788

LH WING OUTB EXT SURF INSP

