



sabena [®] B707	Module: LH WING + FL CTR	A/C Reg :	Check :	 31F3000512
	Oper. : RT-MP LC			
	Type : STRUCT-INSP	Issuer : A59513	Cert.St.: 46928	
Spec. : MECH. INSP	Release Date: 25.11.2005		Page 1 of 5	

LH WING LWR SURF INSP

Execution / Start Date:	
End Date:	


MAINT	RII/INSP

sabena B707	Module: LH WING + FL CTR	A/C Reg :	Check :	 31F3000512
	Oper. : RT-MP LC	Issuer : A59513	Cert.St.: 46928	
	Type : STRUCT-INSP	Release Date: 25.11.2005		
Spec. : MECH. INSP				Page 2 of 5

LH WING LWR SURF INSP

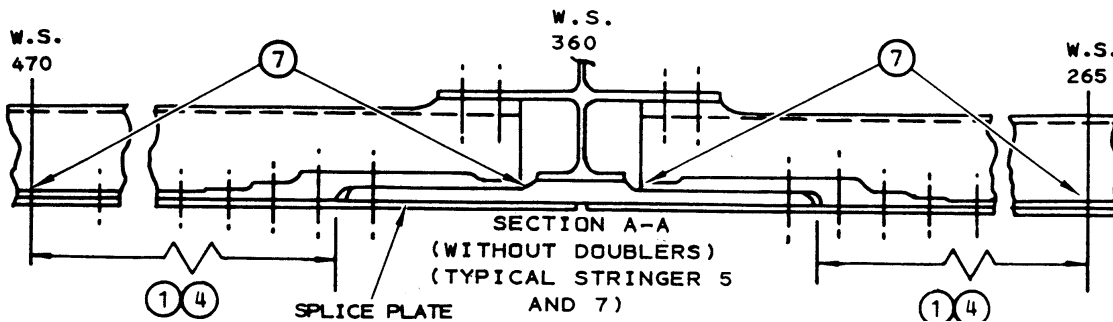
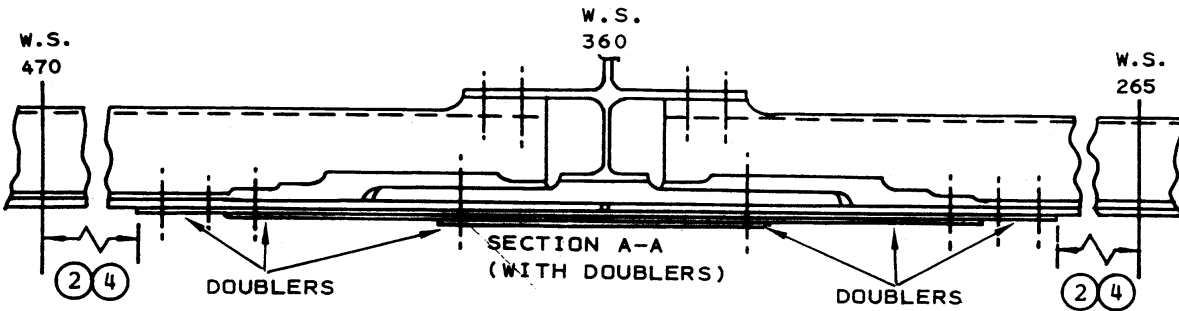
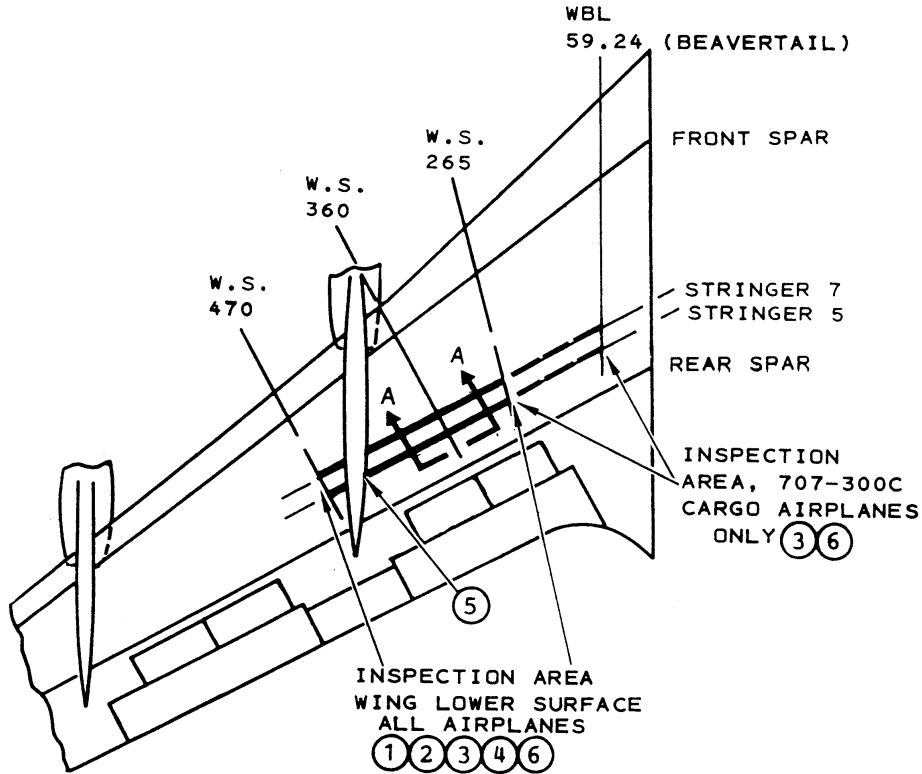
					MAINT	RII/INSP
Nr.	Hardtime	Task	Spec.	Related Documents		
1.	19305 CYC	E3	INS	AD 81-11-06 rev 1 MMS-328 570180 02001 rev 15.07.05 SB 57A3395 rev OCT 08/99 SSI 57-A40-16/I1 rev N		
Check: S						
Zones: 571, 572						
Access: 1325L, 1326L, 1327L, 1328L						
NRC YES <input type="radio"/> NO <input type="radio"/>		IF YES, NUMBER(S):				
WING LWR SURFACE STR S-5 & S-7 WBL 59.2-WS470 INSPECTION.						
CLOSE VISUAL INTERNAL & EXTERNAL: INSPECT SKIN FOR CRACKS OF WING LOWER SURFACE STRINGERS S-5 & S-7, WBL 59.24 TROUGH WS 470.						
Nr.	Hardtime	Task	Spec.	Related Documents		
2.	19414 CYC	E3	INS	AD 81-11-06 rev 1 AD 85-12-01 rev 5439 MMS-328 570180 02001 rev 15.07.05 SB 57A3395 rev OCT 08/99 SSI 57-A40-16/I1 rev N		
Check: S						
Zones: 571, 572						
Access: 1325L, 1326L, 1327L, 1328L						
NRC YES <input type="radio"/> NO <input type="radio"/>		IF YES, NUMBER(S):				
WING LWR SURFACE STR S-5 & S-7 WBL 59.2-WS470 INSPECTION.						
CLOSE VISUAL INTERNAL & EXTERNAL: INSPECT SKIN FOR CRACKS OF WING LOWER SURFACE STRINGERS S-5 & S-7, WBL 59.24 TROUGH WS 470.						
Nr.	Hardtime	Task	Spec.	Related Documents		
3.		E3	INS	AD 81-11-06 rev 1 AD 85-12-01 rev 5439 MMS-328 570180 02001 rev 15.07.05 SB 57A3395 rev OCT 08/99 SSI 57-A40-16/I1 rev N		
Check: S						
Zones: 571, 572						
Access: 1325L, 1326L, 1327L, 1328L						
NRC YES <input type="radio"/> NO <input type="radio"/>		IF YES, NUMBER(S):				
WING LWR SURFACE STR S-5 & S-7 WBL 59.2-WS470 INSPECTION.						

LH WING LWR SURF INSP


sabena B707	Module: LH WING + FL CTR	A/C Reg :	Check :	
	Oper. : RT-MP LC			
	Type : STRUCT-INSP	Issuer : A59513	Cert.St.: 46928	31F3000512
	Spec. : MECH. INSP	Release Date: 25.11.2005		Page 3 of 5

LH WING LWR SURF INSP

MAINT RII/INSP

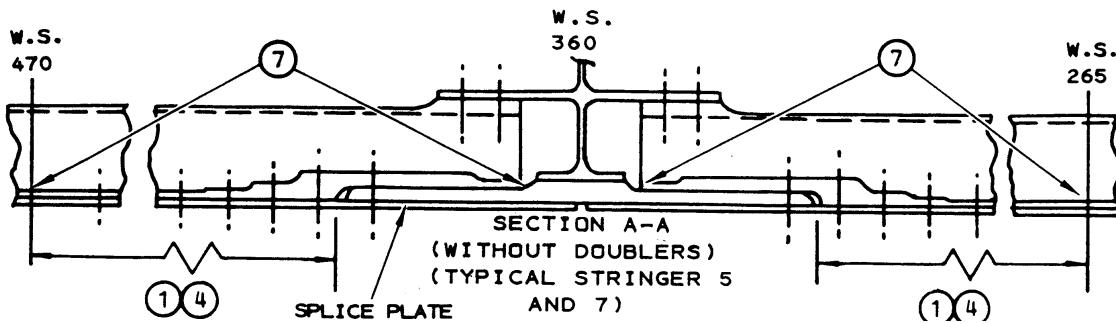
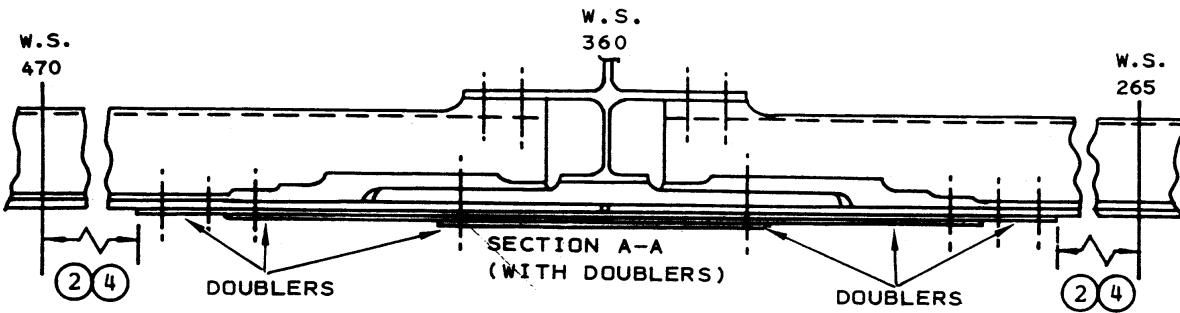
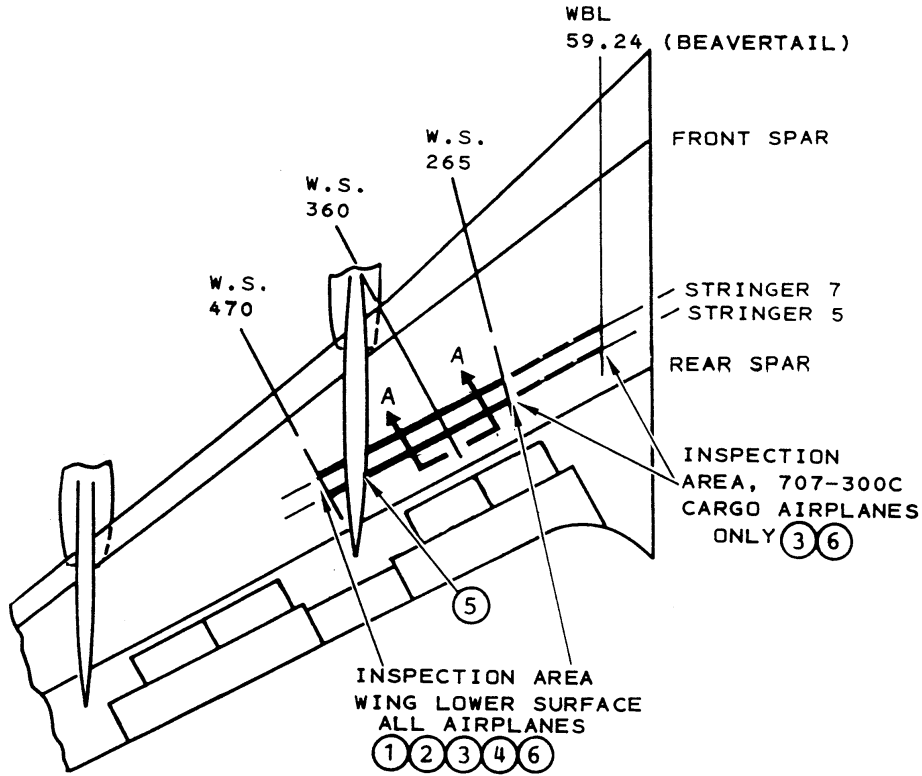



CLOSE VISUAL INTERNAL & EXTERNAL: INSPECT SKIN FOR CRACKS OF WING LOWER SURFACE STRINGERS S-5 & S-7, WBL 59.24 TROUGH WS 470.

sabena B707	Module: LH WING + FL CTR	A/C Reg :	Check :	 31F3000512 Page 4 of 5
	Oper. : RT-MP LC	Issuer : A59513	Cert.St.: 46928	
	Type : STRUCT-INSP	Release Date: 25.11.2005		
Spec. : MECH. INSP				

LH WING LWR SURF INSP

MAINT RII/INSP



sabena B707	Module: LH WING + FL CTR	A/C Reg :	Check :	 31F3000512
	Oper. : RT-MP LC	Issuer : A59513	Cert.St.: 46928	
	Type : STRUCT-INSP	Release Date: 25.11.2005	Page 5 of 5	
Spec. : MECH. INSP				

LH WING LWR SURF INSP

MAINT	RII/INSP
--------------	-----------------

