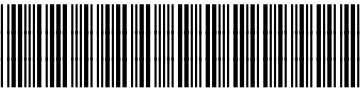



<b>sabena</b> <sup>®</sup> <b>B707</b>	Module: LH WING + FL CTR	A/C Reg :	Check :	 <b>31F3000514</b>
	Oper. : RT-MP LC			
	Type : STRUCT-INSP	Issuer : A43710	Cert.St.: 24828	<b>Page 1 of 3</b>
Spec. : MECH. INSP	Release Date: 11.10.2001			

**LH WING FRONT SPAR LWR CHORD WS 529.5 INSP**

Execution / Start Date:	
End Date:	

MAINT	RII/INSP

<b>sabena</b> B707	Module: LH WING + FL CTR	A/C Reg :	Check :	 31F3000514 Page 2 of 3
	Oper. : RT-MP LC	Issuer : A43710	Cert.St.: 24828	
	Type : STRUCT-INSP	Release Date: 11.10.2001		
Spec. : MECH. INSP				

**LH WING FRONT SPAR LWR CHORD WS 529.5 INSP**

					MAINT	RII/INSP
Nr.	Hardtime	Task	Spec.	Related Documents		
1.		E3 E4	INS	AD 94-10-06 rev 8913 MMS-328 572040 03001 rev 23/04/01 SB 707-57-3475 rev 1		
Check: C						
Zones:						
Access:						

TRESHOLD PER EFF: LX N-19997: 11750 CYC.

LX N-20000: 12010 CYC.

**WING FRONT SPAR LWR CHORD WS 529.5 INSPECTION. Fig. 01.**

1. Visual inspect for cracks the FWD four fasteners without fasteners removal.
2. HFEC inspect for cracks the FWD four fasteners without fasteners removal.
3. LFEC inspect for cracks the AFT ten fasteners without fasteners removal.

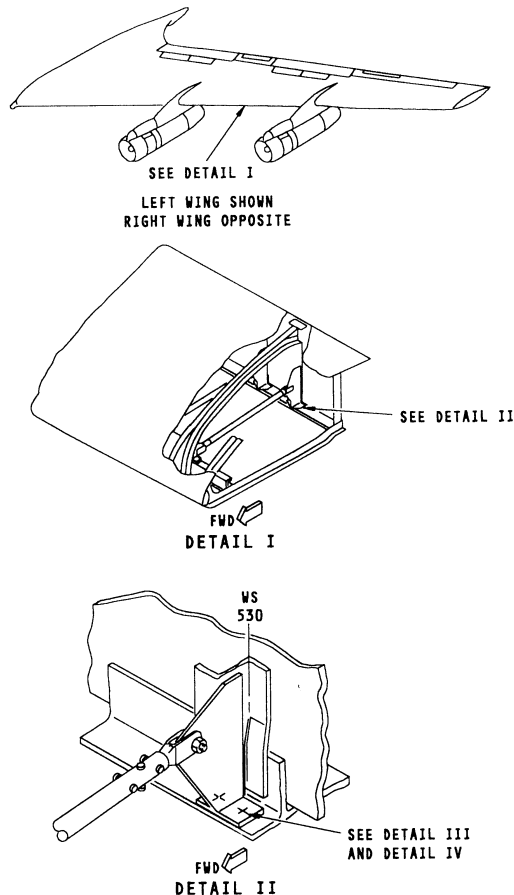

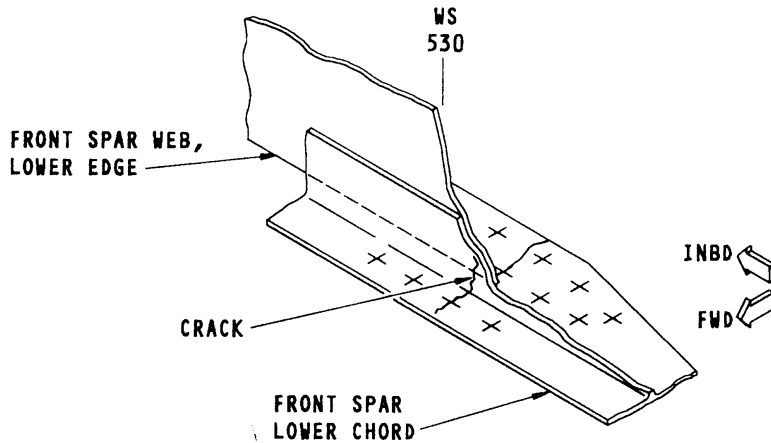


Figure 01.

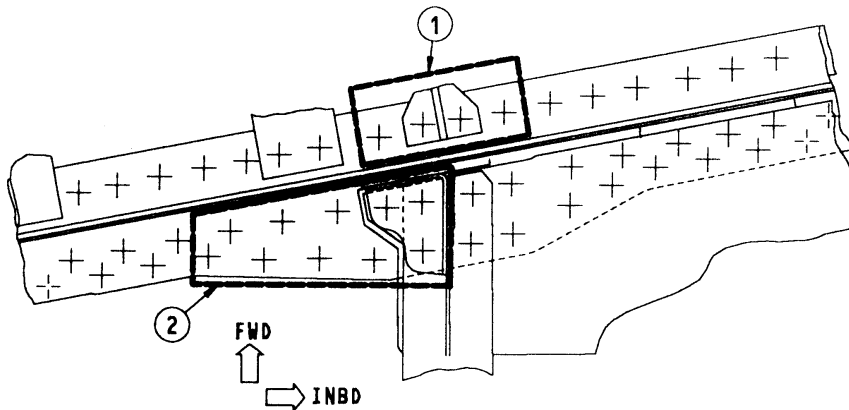
<b>sabena</b> B707	Module: LH WING + FL CTR	A/C Reg :	Check :	 <b>31F3000514</b>
	Oper. : RT-MP LC	Issuer : A43710	Cert.St.: 24828	
	Type : STRUCT-INSP	Release Date: 11.10.2001	Page 3 of 3	
Spec. : MECH. INSP				

**LH WING FRONT SPAR LWR CHORD WS 529.5 INSP**

<b>MAINT</b>	<b>RII/INSP</b>
--------------	-----------------



**DETAIL III**



**DETAIL IV**

The instruction numbers shown below agree with the numbers shown inside the circle symbols in the figure.

- 1 High Frequency Eddy Current inspect the front spar forward lower chord at WS 529.5 for cracks inside the dotted line (Ref. 707 Nondestructive Test Document D6-48023 Part 6, 51-00-00 Figure 4).
- 2 Low Frequency Eddy Current inspect the front spar aft lower chord at WS 529.5 for cracks inside the dotted line (Ref. 707 Nondestructive Test Document D6-48023 Part 6, 57-10-07 Figure 93).

**Figure 01.**

715662