


sabena [®] B707	Module: LH WING + FL CTR	A/C Reg :	Check :	
	Oper. : RT-MP LC			
	Type : NDT INSP	Issuer : A43710	Cert.St.: 24828	31F4000501
Spec. : MECHANIC	Release Date: 11.10.2001		Page 1 of 4	

AD 94-10-06 rev 8913


LH & RH WING FRONT SPAR TERM FIT INSP

Execution / Start Date:	
End Date:	

MAINT	RII/INSP
--------------	-----------------

AD 94-10-06 rev 8913

LH & RH WING FRONT SPAR TERM FIT INSP


sabena B707	Module: LH WING + FL CTR	A/C Reg :	Check :	
	Oper. : RT-MP LC			
	Type : NDT INSP	Issuer : A43710	Cert.St.: 24828	31F4000501
Spec. : MECHANIC	Release Date: 11.10.2001		Page 2 of 4	

AD 94-10-06 rev 8913 LH & RH WING FRONT SPAR TERM FIT INSP

					MAINT	RII/INSP
Nr.	Hardtime	Task	Spec.	Related Documents		
1.		E4 S	MEC	AD 94-10-06 rev 8913 MMS-328 572040 01001 rev 15/05/01 SB 57-3386 rev .		
Check: C						
Zones:						
Access: 1032 L, 1032 R, 1300 L, 1300 R						

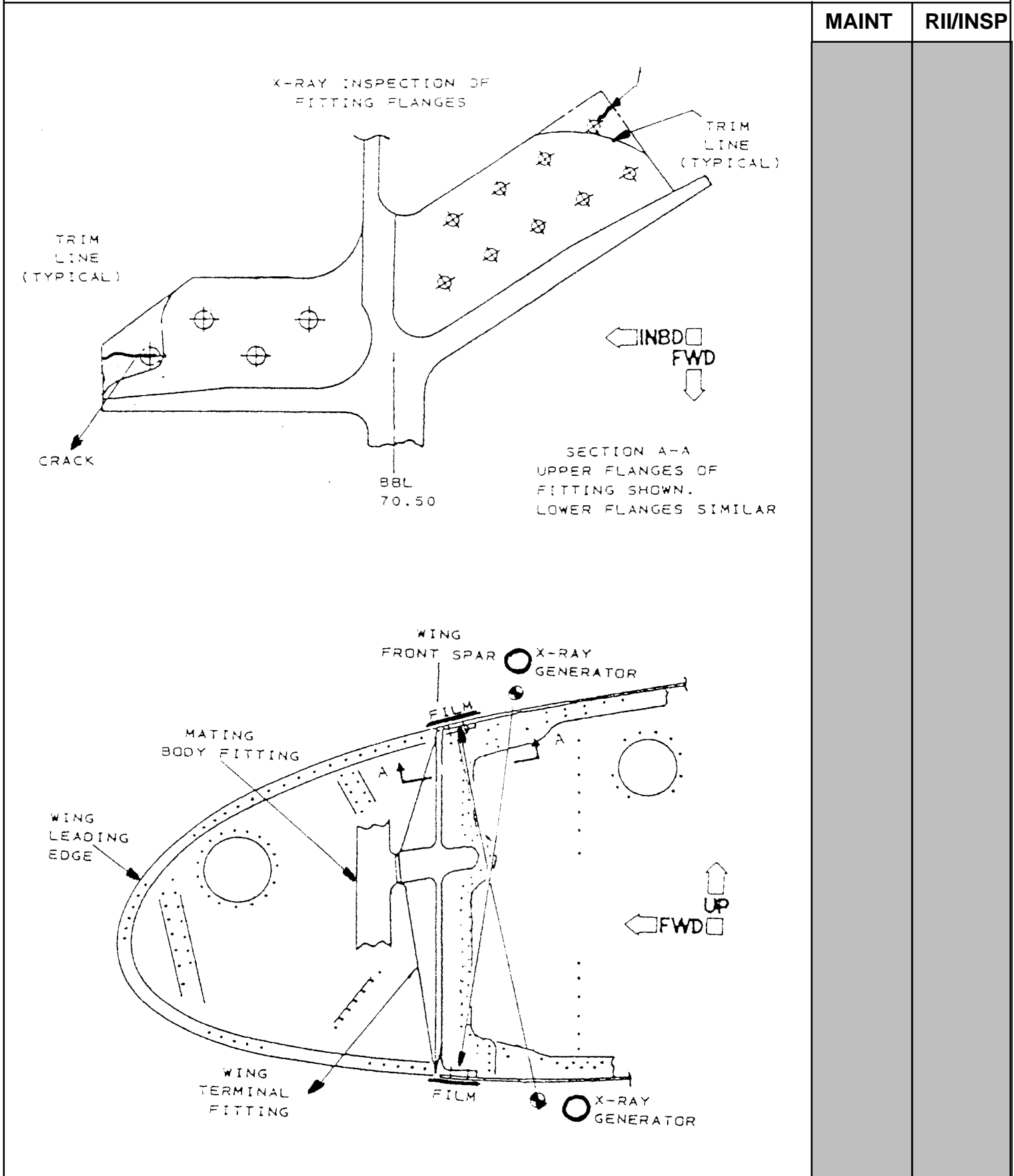
LH & RH WING FRONT SPAR TERMINAL FITTING INSPECTION.

1. Pax cabin on BS600K: Remove seats and floor panels extrados on left and right side cabin.
2. Remove wing to fuselage upper fairing access panel (1032) on left and right side.
3. Open wing to fuselage fairing access panel (1300) on left and right side.
4. Defuel and drain center tank.
5. Inspect X-RAY (Doc. D6-48023 part 2 subject 57-10-07 fig 25) the inb and outb horizontal flanges of the left and right hand wing terminal fitting.
6. Pax cabin on BS600K: Install seats and floor panels extrados on left and right side.
7. Install wing to fuselage upper fairing access panel (1032) on left and right side.
8. Close wing to fuselage fairing access panel(1300) on left and right side.
9. Around fairings, aply a thin string aerodynamic smother.
10. Refuel center tank (if necessary).

sabena B707	Module: LH WING + FL CTR	A/C Reg :	Check :	 31F4000501 Page 3 of 4
	Oper. : RT-MP LC			
	Type : NDT INSP	Issuer : A43710	Cert.St.: 24828	
	Spec. : MECHANIC	Release Date: 11.10.2001		

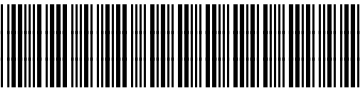
AD 94-10-06 rev 8913

LH & RH WING FRONT SPAR TERM FIT INSP



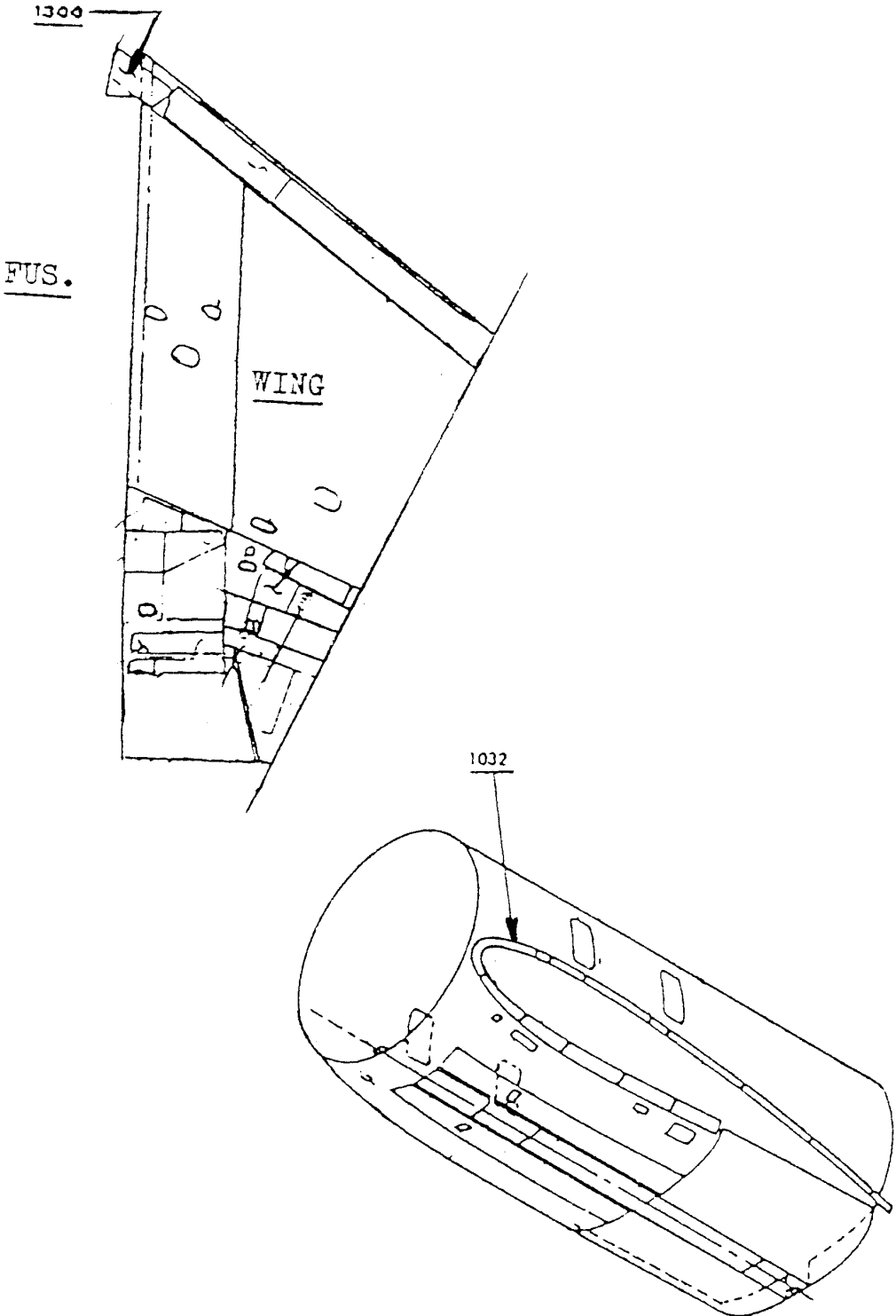
AD 94-10-06 rev 8913

LH & RH WING FRONT SPAR TERM FIT INSP

sabena B707	Module: LH WING + FL CTR	A/C Reg :	Check :	 31F4000501
	Oper. : RT-MP LC	Issuer : A43710	Cert.St.: 24828	
	Type : NDT INSP	Release Date: 11.10.2001	Page 4 of 4	
Spec. : MECHANIC				

AD 94-10-06 rev 8913

LH & RH WING FRONT SPAR TERM FIT INSP

	MAINT	RII/INSP
		

AD 94-10-06 rev 8913

LH & RH WING FRONT SPAR TERM FIT INSP