



sabena [®] B707	Module: LH WING + FL CTR	A/C Reg :	Check :	
	Oper. : RT-MP LC			
	Type : NDT INSP	Issuer : A59513	Cert.St.: 46928	31F4000512
Spec. : NDT INSP	Release Date: 25.11.2005		Page 1 of 6	

LH WING LWR SURF HFEC INSP

Execution / Start Date:	
End Date:	


MAINT	RII/INSP

sabena B707	Module: LH WING + FL CTR	A/C Reg :	Check :	 31F4000512
	Oper. : RT-MP LC	Issuer : A59513	Cert.St.: 46928	
	Type : NDT INSP	Release Date: 25.11.2005		
Spec. : NDT INSP				

LH WING LWR SURF HFEC INSP

					MAINT	RII/INSP	
Nr.	Hardtime	Task	Spec.	Related Documents			
1.	19305 CYC	E4	NDT	AD 81-11-06 rev 1 AD 85-12-01 rev 5439 MMS-328 570180 02002 rev 15.07.05 SB 57A3395 rev 4 SSI 57-A40-16/I1 rev N			
Check: S							
Zones: 571, 572							
Access: 1325L, 1326L, 1327L, 1328L							
NRC YES <input type="radio"/> NO <input type="radio"/>		IF YES, NUMBER(S):					
<p><u>WING LWR SURFACE STR S-5 & S-7 WBL 59.2-WS470 HFEC INSPECTION.</u> HFEC INSPECTION REF DOC D6-48023 PART6, 57-10-07 FIG 75: INSPECT SKIN FOR CRACKS OF WING LOWER SURFACE STRINGERS S-5 & S-7, WBL 59.24 TROUGH WS 470.</p>							
Nr.	Hardtime	Task	Spec.	Related Documents			
2.	19414 CYC	E4	NDT	AD 81-11-06 rev 1 AD 85-12-01 rev 5439 MMS-328 570180 02002 rev 15.07.05 SB 57A3395 rev 4 SSI 57-A40-16/I1 rev N			
Check: S							
Zones: 571, 572							
Access: 1325L, 1326L, 1327L, 1328L							
NRC YES <input type="radio"/> NO <input type="radio"/>		IF YES, NUMBER(S):					
<p><u>WING LWR SURFACE STR S-5 & S-7 WBL 59.2-WS470 HFEC INSPECTION.</u> HFEC INSPECTION REF DOC D6-48023 PART6, 57-10-07 FIG 75: INSPECT SKIN FOR CRACKS OF WING LOWER SURFACE STRINGERS S-5 & S-7, WBL 59.24 TROUGH WS 470.</p>							
Nr.	Hardtime	Task	Spec.	Related Documents			
3.		E4	NDT	AD 81-11-06 rev 1 AD 85-12-01 rev 5439 MMS-328 570180 02002 rev 15.07.05 SB 57A3395 rev 4 SSI 57-A40-16/I1 rev N			
Check: S							
Zones: 571, 572							
Access: 1325L, 1326L, 1327L, 1328L							
NRC YES <input type="radio"/> NO <input type="radio"/>		IF YES, NUMBER(S):					

LH WING LWR SURF HFEC INSP

sabena B707	Module: LH WING + FL CTR	A/C Reg :	Check :	 31F4000512 Page 3 of 6
	Oper. : RT-MP LC			
	Type : NDT INSP	Issuer : A59513	Cert.St.: 46928	
	Spec. : NDT INSP	Release Date: 25.11.2005		

LH WING LWR SURF HFEC INSP

MAINT RII/INSP

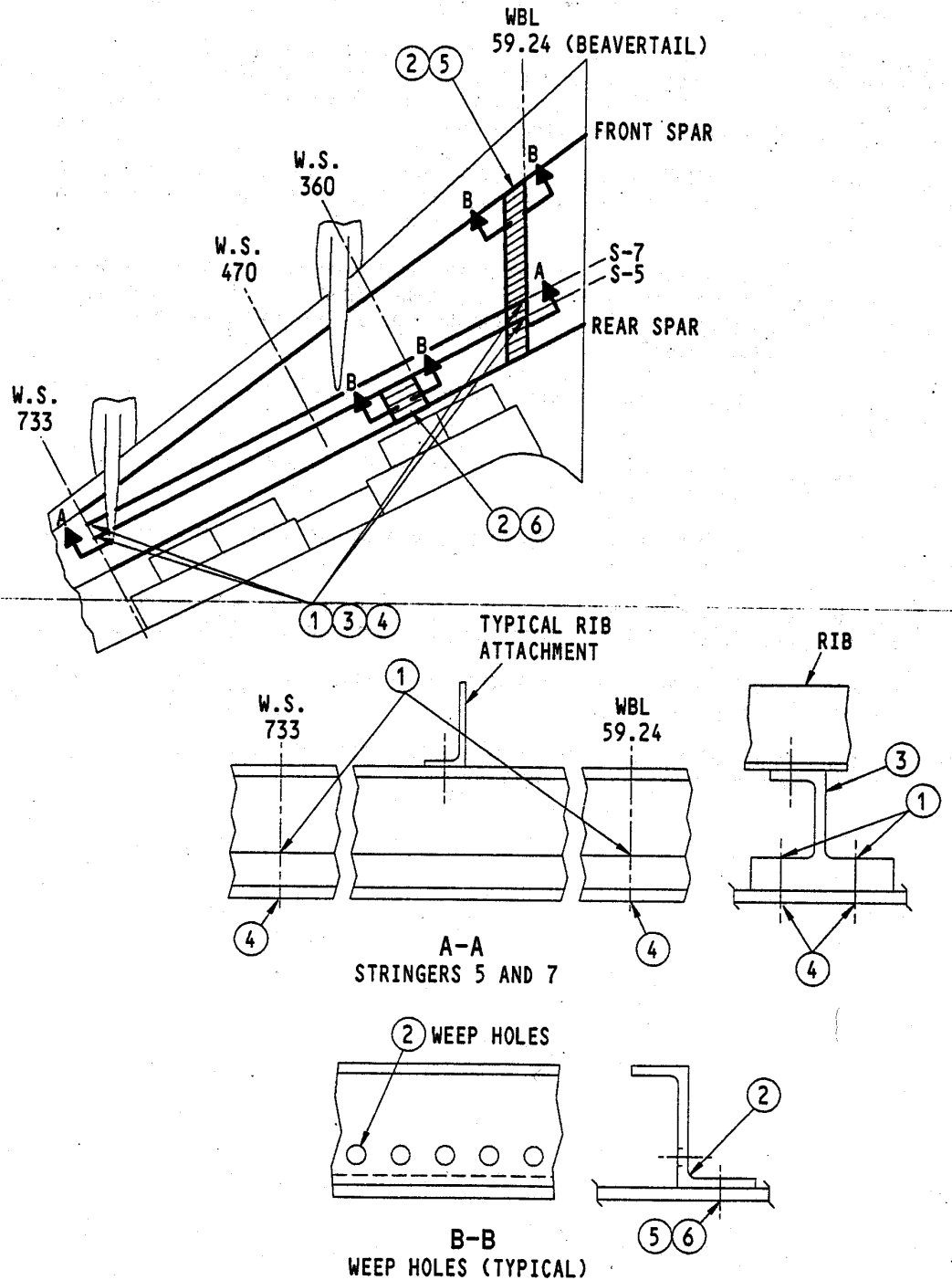



FIGURE 2. 707 SERIES INSPECTIONS OF WING LOWER SKIN AND STRINGERS

sabena B707	Module: LH WING + FL CTR	A/C Reg :	Check :	 31F4000512 Page 4 of 6
	Oper. : RT-MP LC			
	Type : NDT INSP	Issuer : A59513	Cert.St.: 46928	
	Spec. : NDT INSP	Release Date: 25.11.2005		

LH WING LWR SURF HFEC INSP

MAINT RII/INSP

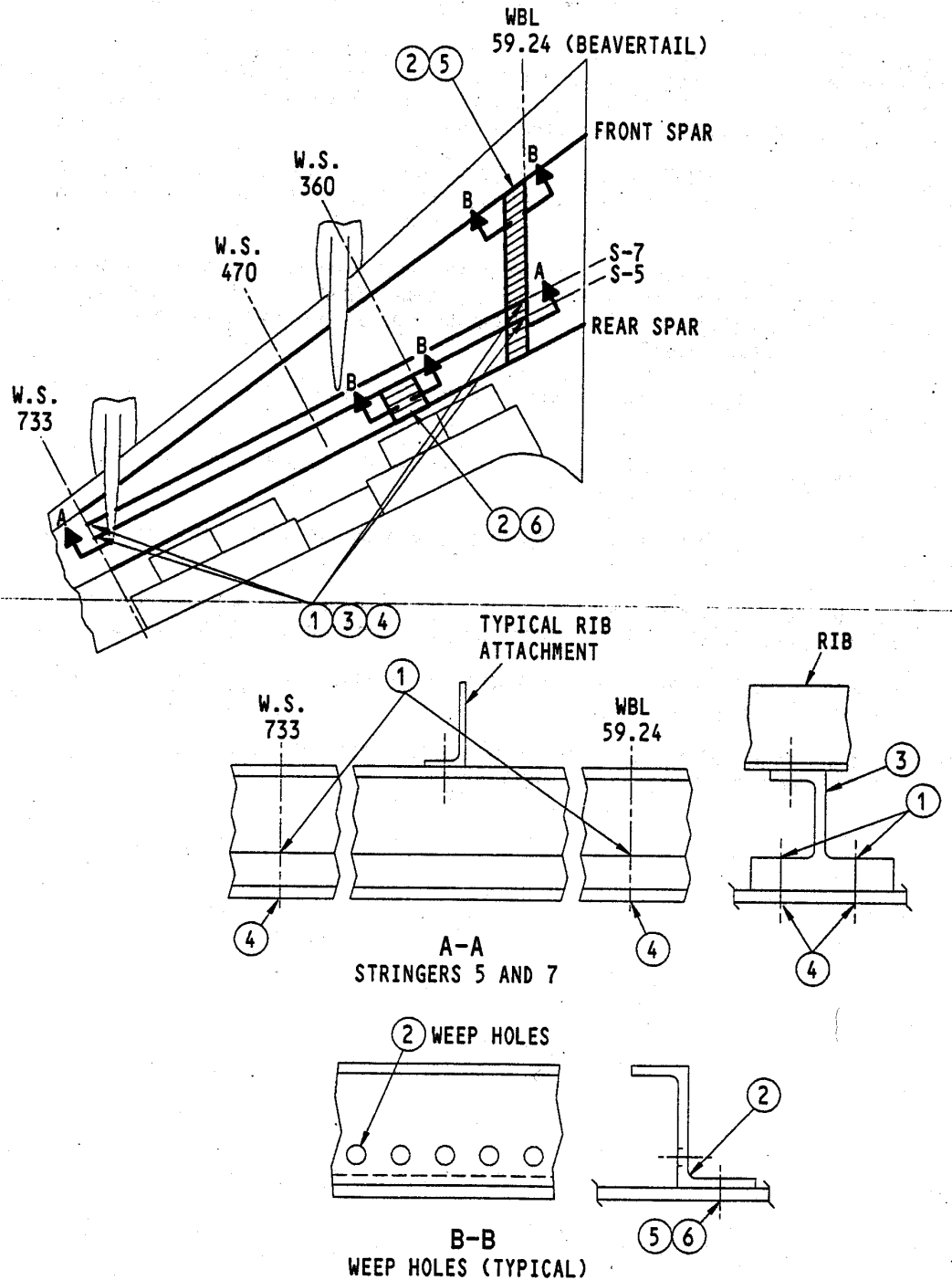



FIGURE 2. 707 SERIES INSPECTIONS OF WING LOWER SKIN AND STRINGERS


sabena [®] B707	Module: LH WING + FL CTR	A/C Reg :	Check :	
	Oper. : RT-MP LC			
	Type : NDT INSP	Issuer : A59513	Cert.St.: 46928	31F4000512
Spec. : NDT INSP	Release Date: 25.11.2005		Page 5 of 6	

LH WING LWR SURF HFEC INSP

WING LWR SURFACE STR S-5 & S-7 WBL 59.2-WS470 HFEC INSPECTION.

HFEC INSPECTION REF DOC D6-48023 PART6, 57-10-07 FIG 75: INSPECT SKIN FOR CRACKS OF WING LOWER SURFACE STRINGERS S-5 & S-7, WBL 59.24 TROUGH WS 470.

MAINT	RII/INSP

sabena B707	Module: LH WING + FL CTR	A/C Reg :	Check :	 31F4000512 Page 6 of 6
	Oper. : RT-MP LC			
	Type : NDT INSP	Issuer : A59513	Cert.St.: 46928	
	Spec. : NDT INSP	Release Date: 25.11.2005		

LH WING LWR SURF HFEC INSP

MAINT RII/INSP

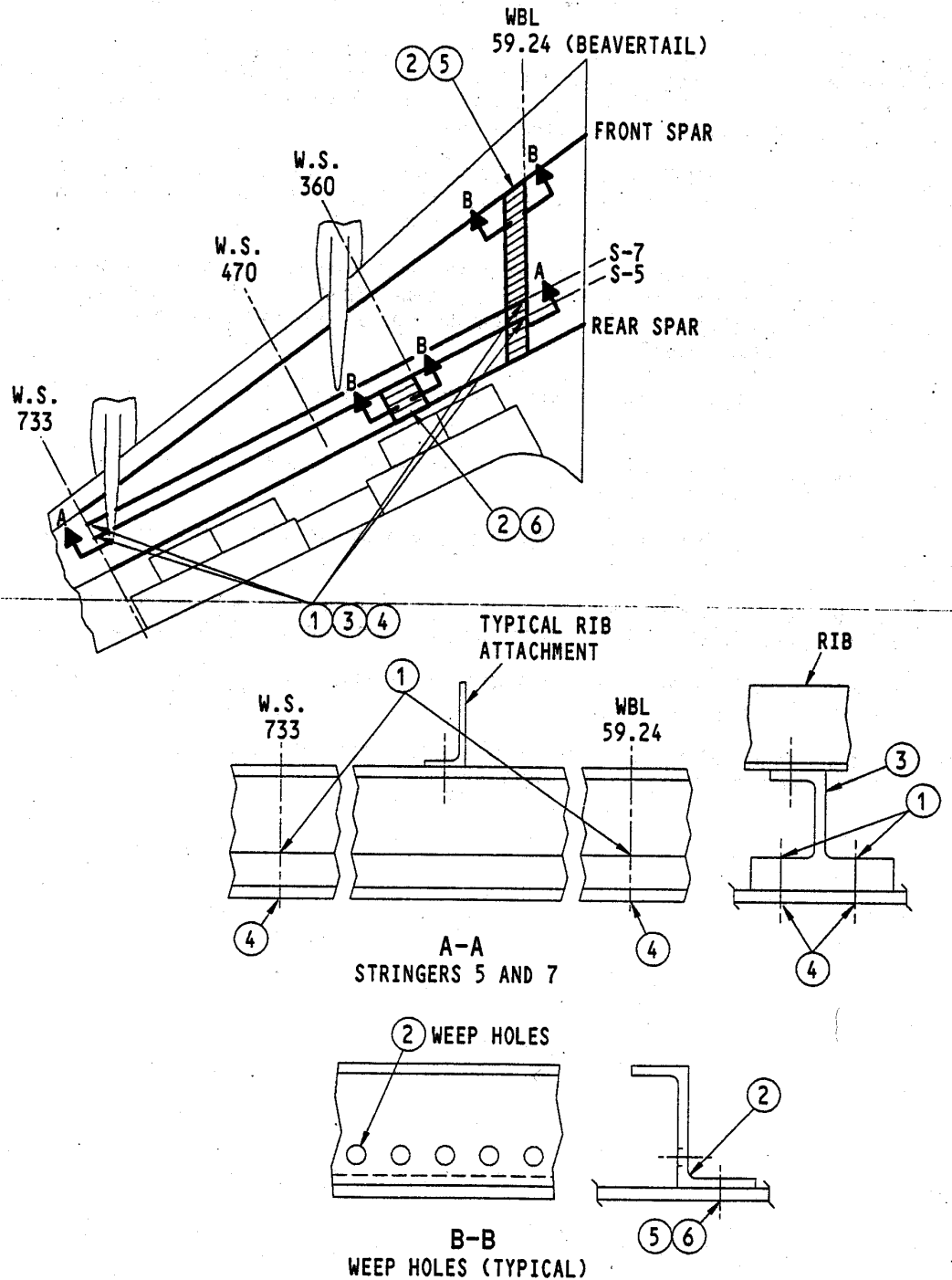


FIGURE 2. 707 SERIES INSPECTIONS OF WING LOWER SKIN AND STRINGERS