



<b>sabena</b> <sup>®</sup> <b>B707</b>	Module: LH WING + FL CTR	A/C Reg :	Check :	 <b>31F4000527</b>
	Oper. : RT-MP LC			
	Type : NDT INSP	Issuer : A59513	Cert.St.: 46928	<b>Page 1 of 7</b>
Spec. : NDT INSP	Release Date: 23.11.2006			

**LH WING REAR SPAR LOWER CHORD NDI INSPECTION**

Execution / Start Date:	
End Date:	

MAINT	RII/INSP

<b>sabena</b> B707	Module: LH WING + FL CTR	A/C Reg :	Check :	 <b>31F4000527</b> Page 2 of 7
	Oper. : RT-MP LC	Issuer : A59513	Cert.St.: 46928	
	Type : NDT INSP	Release Date: 23.11.2006		
Spec. : NDT INSP				

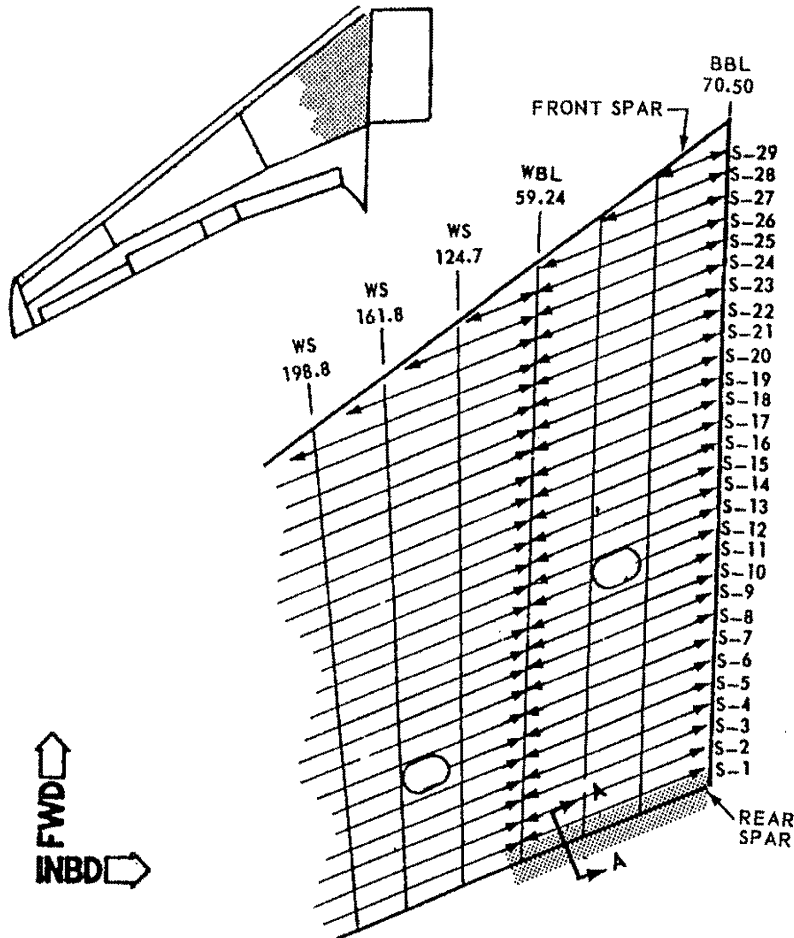
**LH WING REAR SPAR LOWER CHORD NDI INSPECTION**

					<b>MAINT</b>	<b>RII/INSP</b>
Nr.	Hardtime	Task	Spec.	Related Documents		
1.	22083 CYC	E4	NDT	AD 85-12-01 R1 rev 5439 MMS-328 572080 02005 rev 15.07.05 SSID 57-A45-05/C4 rev P		
Check: C1						
Zones: 135, 572, 584						
Access: 1324 L						
NRC YES <input type="radio"/> NO <input type="radio"/>		IF YES, NUMBER(S): .....				

**LH WING REAR SPAR LOWER CHORD**


**LH WING REAR SPAR LOWER CHORD, WEB TERMINAL FITTING / SPAR CHORD & WING LOWER SKIN BBL 70.50 TO WBL 59.24.**

Do an H.F.E.C. internal inspection of terminal fitting vertical surfaces (including splice members).  
Refer. DOC D6-48023, Part 6, 57-10-07, Fig 53.




MODEL 707-300/-400 SERIES

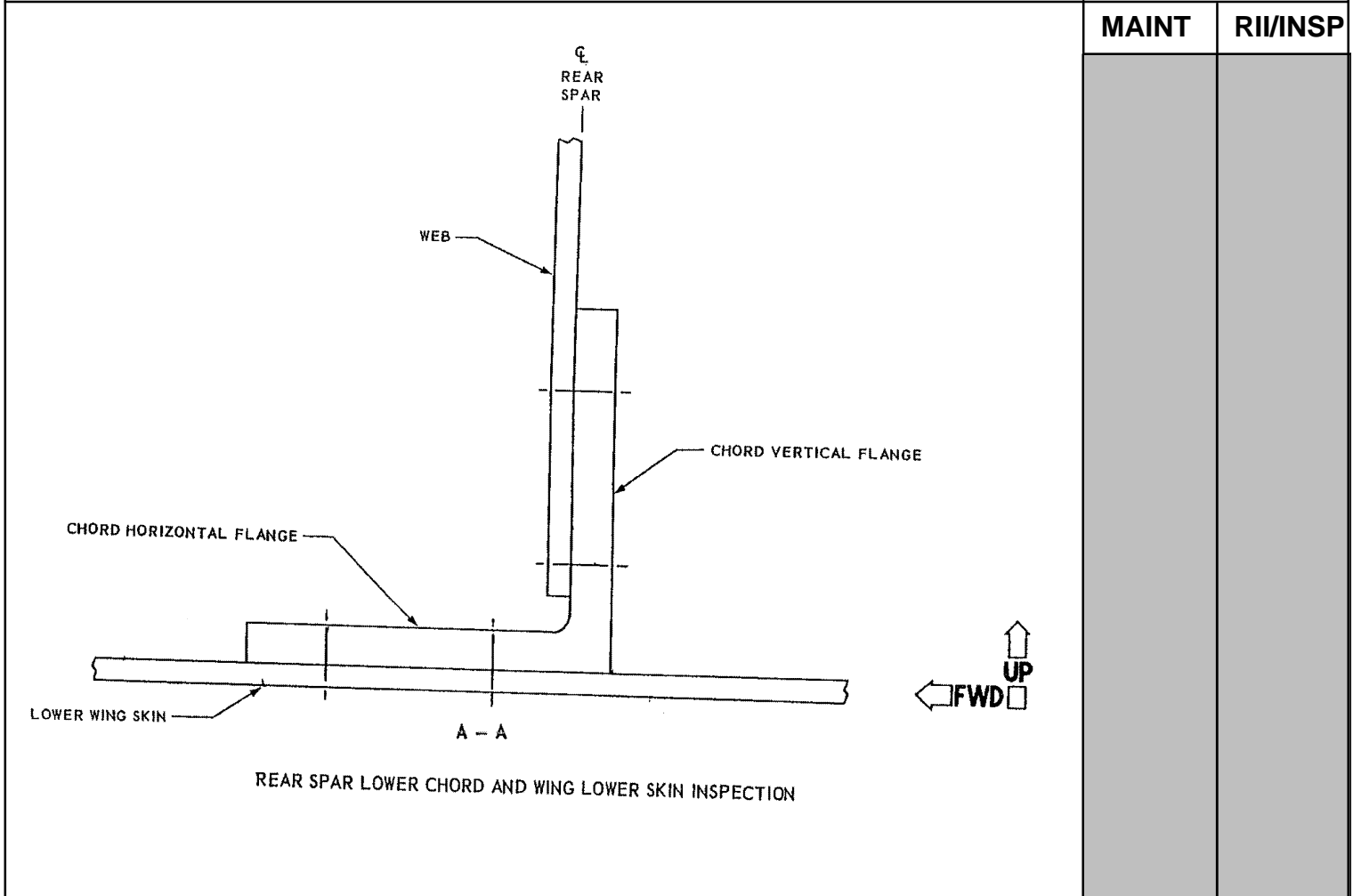
REAR SPAR LOWER CHORD AND WING LOWER SKIN INSPECTION  
BBL 70.50 THRU WBL 129.62/59.24

 INSPECTION AREA

**LH WING REAR SPAR LOWER CHORD NDI INSPECTION**

<b>sabena</b> B707	Module: LH WING + FL CTR	A/C Reg :	Check :	 31F4000527 Page 3 of 7
	Oper. : RT-MP LC	Issuer : A59513	Cert.St.: 46928	
	Type : NDT INSP	Release Date: 23.11.2006		
Spec. : NDT INSP				

**LH WING REAR SPAR LOWER CHORD NDI INSPECTION**



MAINT	RII/INSP

Nr.	Hardtime	Task	Spec.	Related Documents
2.	22192 CYC	E4	INS	AD 85-12-01 R1 rev 5439 MMS-328 572080 02005 rev 15.07.05 SSID 57-A45-05/C4 rev P
Check: C1				
Zones: 135, 572, 584				
Access: 1324 L				
NRC YES <input type="radio"/> NO <input type="radio"/>		IF YES, NUMBER(S): .....		


**LH WING REAR SPAR LOWER CHORD**

**LH WING REAR SPAR LOWER CHORD, WEB TERMINAL FITTING / SPAR CHORD & WING LOWER SKIN BBL 70.50 TO WBL 59.24.**

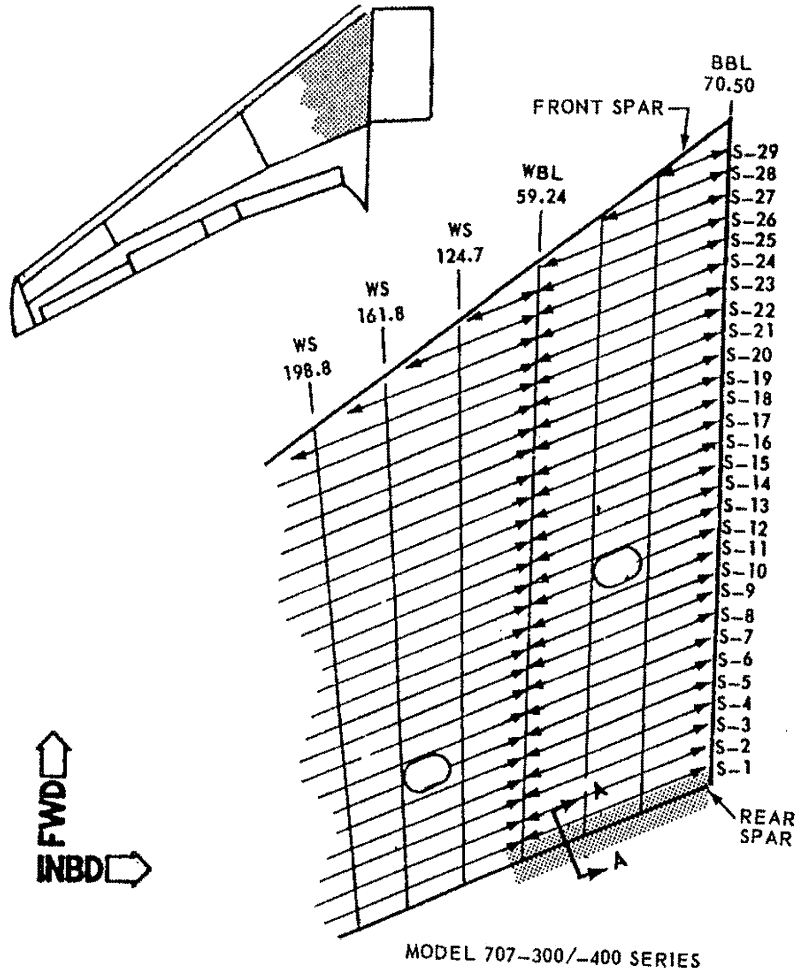
Do an H.F.E.C. internal inspection of terminal fitting vertical surfaces ( including splice members ).

Refer. DOC D6-48023, Part 6, 57-10-07, Fig 53.

**LH WING REAR SPAR LOWER CHORD NDI INSPECTION**


<b>sabena</b> B707	Module: LH WING + FL CTR	A/C Reg :	Check :	 31F4000527 Page 4 of 7
	Oper. : RT-MP LC	Issuer : A59513	Cert.St.: 46928	
	Type : NDT INSP	Release Date: 23.11.2006		
Spec. : NDT INSP				

LH WING REAR SPAR LOWER CHORD NDI INSPECTION

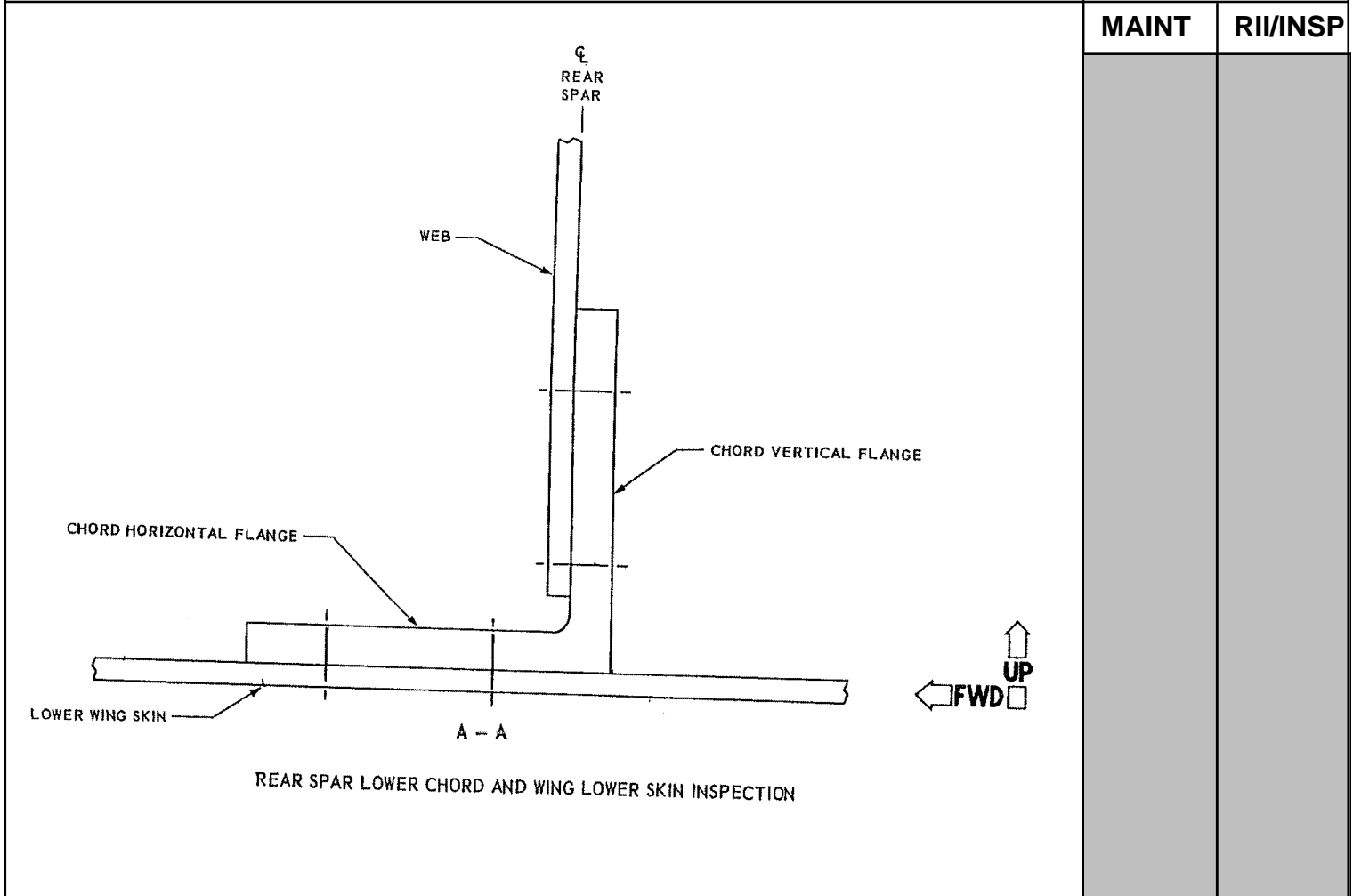


REAR SPAR LOWER CHORD AND WING LOWER SKIN INSPECTION  
BBL 70.50 THRU WBL 129.62/59.24

MAINT	RII/INSP

<b>sabena</b> B707	Module: LH WING + FL CTR	A/C Reg :	Check :	 31F4000527 Page 5 of 7
	Oper. : RT-MP LC	Issuer : A59513	Cert.St.: 46928	
	Type : NDT INSP	Release Date: 23.11.2006		
Spec. : NDT INSP				

**LH WING REAR SPAR LOWER CHORD NDI INSPECTION**



MAINT	RII/INSP

Nr.	Hardtime	Task	Spec.	Related Documents
3.		E4	INS	AD 85-12-01 R1 rev 5439 MMS-328 572080 02005 rev 15.07.05 SSID 57-A45-05/C4 rev P
Check: C1				
Zones: 135, 572, 584				
Access: 1324 L				
NRC YES <input type="radio"/> NO <input type="radio"/>		IF YES, NUMBER(S): .....		


**LH WING REAR SPAR LOWER CHORD**

**LH WING REAR SPAR LOWER CHORD, WEB TERMINAL FITTING / SPAR CHORD & WING LOWER SKIN BBL 70.50 TO WBL 59.24.**

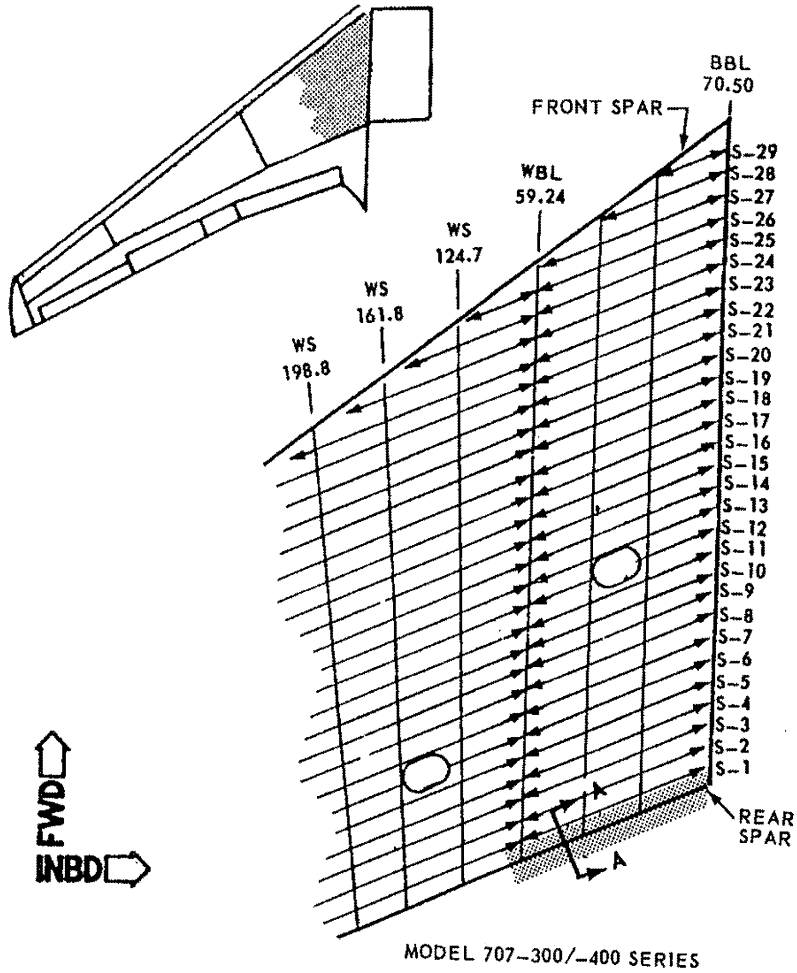
Do an H.F.E.C. internal inspection of terminal fitting vertical surfaces ( including splice members ).

Refer. DOC D6-48023, Part 6, 57-10-07, Fig 53.


**LH WING REAR SPAR LOWER CHORD NDI INSPECTION**

<b>sabena</b> B707	Module: LH WING + FL CTR	A/C Reg :	Check :	 <b>31F4000527</b> Page 6 of 7
	Oper. : RT-MP LC	Issuer : A59513	Cert.St.: 46928	
	Type : NDT INSP	Release Date: 23.11.2006		
Spec. : NDT INSP				


**LH WING REAR SPAR LOWER CHORD NDI INSPECTION**



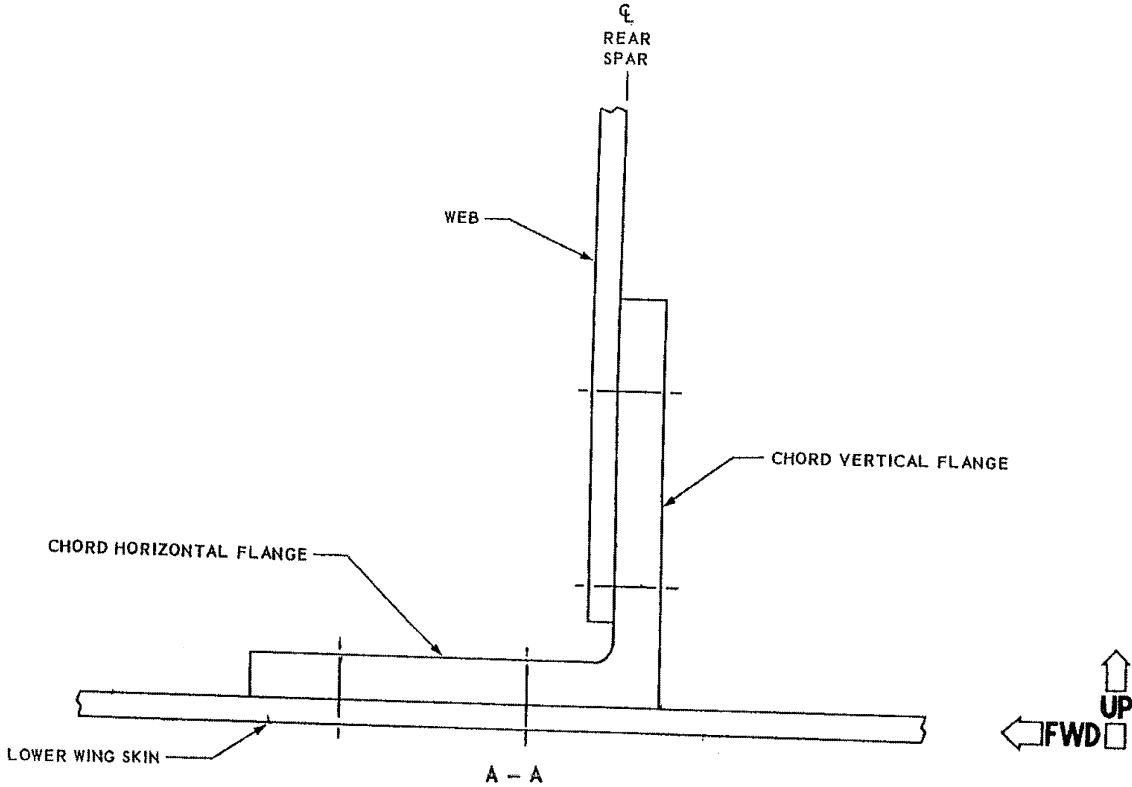
REAR SPAR LOWER CHORD AND WING LOWER SKIN INSPECTION  
BBL 70.50 THRU WBL 129.62/59.24

 INSPECTION AREA

**MAINT**      **RII/INSP**

<b>sabena</b> B707	Module: LH WING + FL CTR	A/C Reg :	Check :	 31F4000527
	Oper. : RT-MP LC	Issuer : A59513	Cert.St.: 46928	
	Type : NDT INSP	Release Date: 23.11.2006	Page 7 of 7	
Spec. : NDT INSP				

LH WING REAR SPAR LOWER CHORD NDI INSPECTION



REAR SPAR LOWER CHORD AND WING LOWER SKIN INSPECTION

MAINT	RII/INSP

LH WING REAR SPAR LOWER CHORD NDI INSPECTION