



<b>sabena</b> <sup>®</sup> <b>B707</b>	Module: RH WING + FL CTR	A/C Reg :	Check :	 <b>41F2000516</b>
	Oper. : RT-MP LC	Issuer : A43710	Cert.St.: 24828	
	Type : MEC-INSP	Release Date: 11.10.2001	<b>Page 1 of 4</b>	
Spec. : MECHANIC				

**RH WING INB & OUTB SPOIL CTRL VLV FILTER INSP**

Execution / Start Date:	
End Date:	

MAINT	RII/INSP

<b>sabena</b> <b>B707</b>	Module: RH WING + FL CTR	A/C Reg :	Check :	
	Oper. : RT-MP LC			
	Type : MEC-INSP	Issuer : A43710	Cert.St.: 24828	<b>41F2000516</b>
Spec. : MECHANIC	Release Date: 11.10.2001		<b>Page 2 of 4</b>	

**RH WING INB & OUTB SPOIL CTRL VLV FILTER INSP**

					MAINT	RII/INSP
Nr.	Hardtime	Task	Spec.	Related Documents		
1.		E3	MEC	MM 27-4-21 rev REV MS MM 27-4-31 rev REV MS MMS-328 276004 00102 rev 05/02/01		
<b>Check: C</b>						
<b>Zones: 685, 687</b>						
<b>Access: 1356R, 1358R</b>						


**INB & OUTB SPOILER CTRL VLV FILTER INSP.**

**1. Inspection of INB spoiler control valve.**

1. Flaps to DOWN position.
2. Remove spoiler control valve cover (1, Figure 001).
3. Check control valve filter for foreign matter.
4. Install spoiler control valve cover.

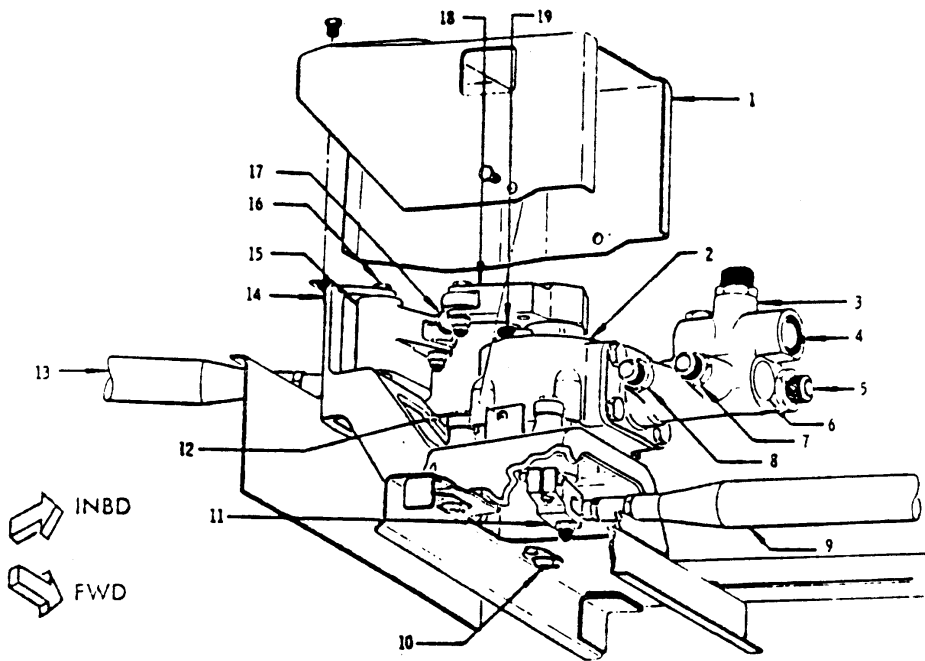
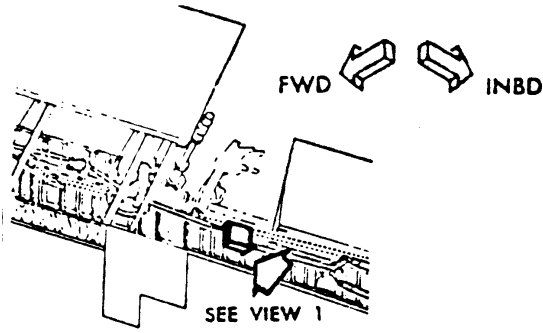
**2. Inspection of OUTB spoiler control valve.**

1. Flaps to DOWN position.
2. Check control valve filter for foreign matter. (Figure 002.).

<b>sabena</b> B707	Module: RH WING + FL CTR	A/C Reg :	Check :	 41F2000516 Page 3 of 4
	Oper. : RT-MP LC	Issuer : A43710	Cert.St.: 24828	
	Type : MEC-INSP	Release Date: 11.10.2001		
Spec. : MECHANIC				


**RH WING INB & OUTB SPOIL CTRL VLV FILTER INSP**

**MAINT      RII/INSP**



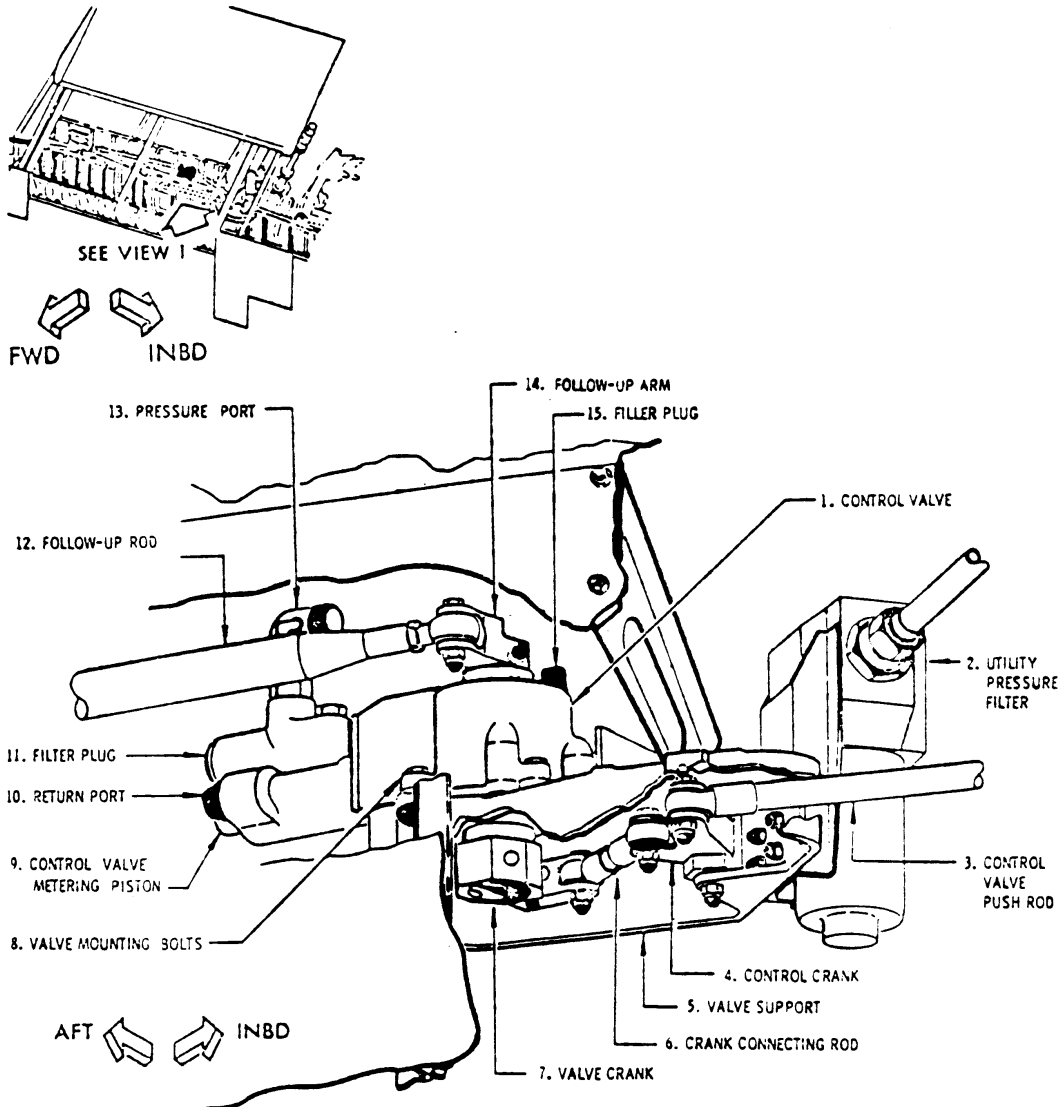
- |                                 |                                    |                           |
|---------------------------------|------------------------------------|---------------------------|
| 1 CONTROL VALVE COVER           | 8 UP PORT                          | 15 PUSH ROD CONTROL CRANK |
| 2 CONTROL VALVE                 | 9 CONTROL VALVE FOLLOW-UP PUSH ROD | 16 CONTROL CRANK BOLT     |
| 3 PRESSURE PORT                 | 10 VALVE ASSEMBLY MOUNTING BOLTS   | 17 CRANK CONNECTING ROD   |
| 4 FILTER PLUG                   | 11 FOLLOW-UP ARM                   | 18 VALVE CRANK            |
| 5 RETURN PORT                   | 12 CONTROL VALVE MOUNTING BOLTS    | 19 VENT PLUG              |
| 6 CONTROL VALVE METERING PISTON | 13 CONTROL VALVE PUSH ROD          | 20 COTTER PIN             |
| 7 DOWN PORT                     | 14 VALVE SUPPORT                   | 21 VERNIER SLEEVE         |

**FIGURE 001.**

<b>sabena</b> B707	Module: RH WING + FL CTR	A/C Reg :	Check :	 <b>41F2000516</b>
	Oper. : RT-MP LC	Issuer : A43710	Cert.St.: 24828	
	Type : MEC-INSP	Release Date: 11.10.2001	<b>Page 4 of 4</b>	
Spec. : MECHANIC				

**RH WING INB & OUTB SPOIL CTRL VLV FILTER INSP**

**MAINT      RII/INSP**



**FIGURE 002.**