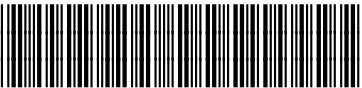



sabena [®] B707	Module: RH WING + FL CTR	A/C Reg :	Check :	 41F3000510
	Oper. : RT-MP LC			
	Type : STRUCT-INSP	Issuer : A59513	Cert.St.: 46928	Page 1 of 6
Spec. : MECH. INSP	Release Date: 25.11.2005			

RH WING LWR SURF INSP

Execution / Start Date:	
End Date:	


MAINT	RII/INSP

sabena B707	Module: RH WING + FL CTR	A/C Reg :	Check :	 41F3000510
	Oper. : RT-MP LC	Issuer : A59513	Cert.St.: 46928	
	Type : STRUCT-INSP	Release Date: 25.11.2005		
Spec. : MECH. INSP				Page 2 of 6

RH WING LWR SURF INSP

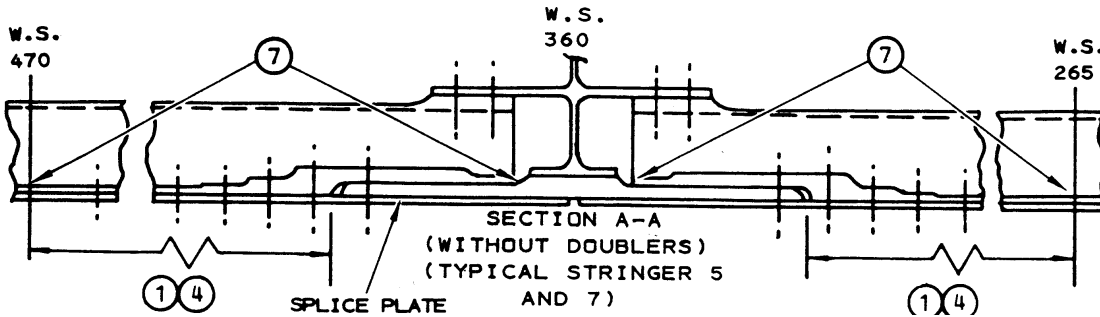
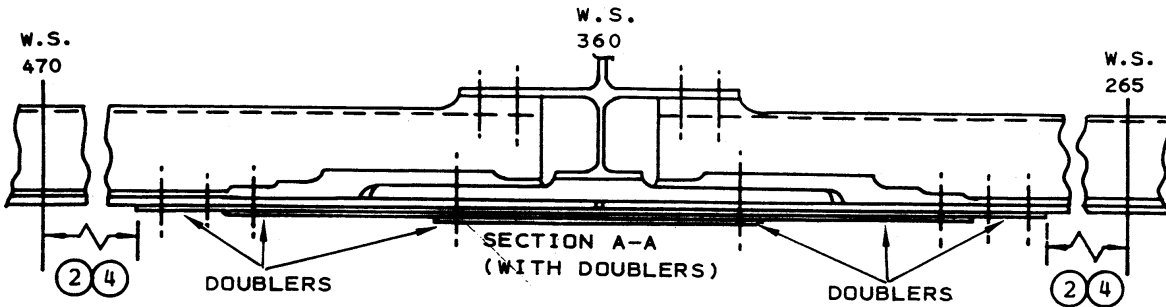
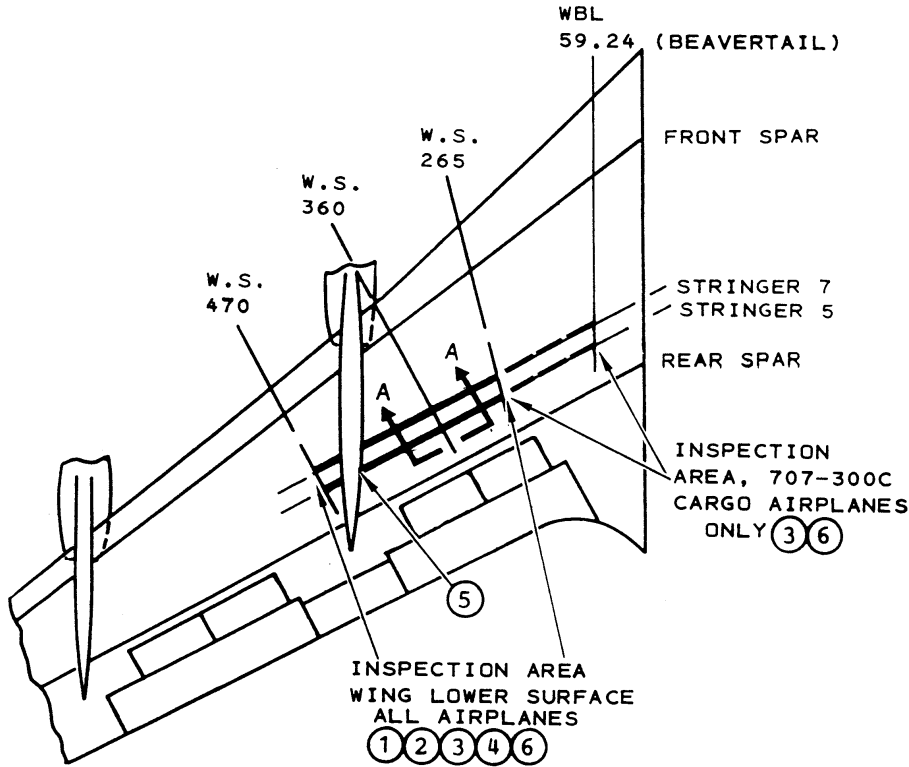
					MAINT	RII/INSP
Nr.	Hardtime	Task	Spec.	Related Documents		
1.	19305 CYC	E3	INS	AD 81-11-06 rev 1 AD 85-12-01 R1 rev 5439 MMS-328 570180 02001 rev 15.07.05 SB 57A3395 rev OCT 08/99 SSI 57-A40-16/I1 rev N		
Check: S						
Zones: 673, 674						
Access: 1325R, 1326R, 1327R, 1328R						
NRC YES <input type="radio"/> NO <input type="radio"/>		IF YES, NUMBER(S):				
<p><u>WING LWR SURFACE STR S-5 & S-7 WBL 59.2-WS470 INSPECTION.</u></p> <p>CLOSE VISUAL INTERNAL & EXTERNAL: INSPECT SKIN FOR CRACKS OF WING LOWER SURFACE STRINGERS S-5 & S-7, WBL 59.24 TROUGH WS 470.</p>						
Nr.	Hardtime	Task	Spec.	Related Documents		
2.	19414 CYC	E3	INS	AD 81-11-06 rev 1 AD 85-12-01 R1 rev 5439 MMS-328 570180 02001 rev 15.07.05 SB 57A3395 rev OCT 08/99 SSI 57-A40-16/I1 rev N		
Check: S						
Zones: 673, 674						
Access: 1325R, 1326R, 1327R, 1328R						
NRC YES <input type="radio"/> NO <input type="radio"/>		IF YES, NUMBER(S):				
<p><u>WING LWR SURFACE STR S-5 & S-7 WBL 59.2-WS470 INSPECTION.</u></p> <p>CLOSE VISUAL INTERNAL & EXTERNAL: INSPECT SKIN FOR CRACKS OF WING LOWER SURFACE STRINGERS S-5 & S-7, WBL 59.24 TROUGH WS 470.</p>						
Nr.	Hardtime	Task	Spec.	Related Documents		
3.		E3	INS	AD 81-11-06 rev 1 AD 85-12-01 R1 rev 5439 MMS-328 570180 02001 rev 15.07.05 SB 57A3395 rev OCT 08/99 SSI 57-A40-16/I1 rev N		
Check: S						
Zones: 673, 674						
Access: 1325R, 1326R, 1327R, 1328R						
NRC YES <input type="radio"/> NO <input type="radio"/>		IF YES, NUMBER(S):				


RH WING LWR SURF INSP

sabena B707	Module: RH WING + FL CTR	A/C Reg :	Check :	 41F3000510
	Oper. : RT-MP LC	Issuer : A59513	Cert.St.: 46928	
	Type : STRUCT-INSP	Release Date: 25.11.2005	Page 3 of 6	

RH WING LWR SURF INSP

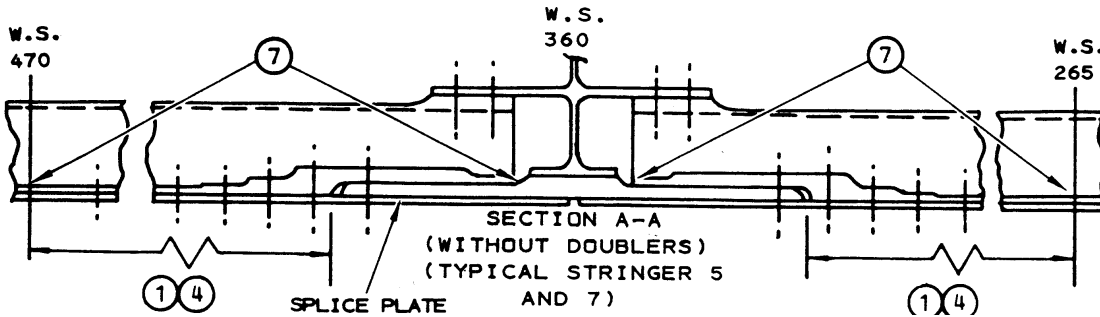
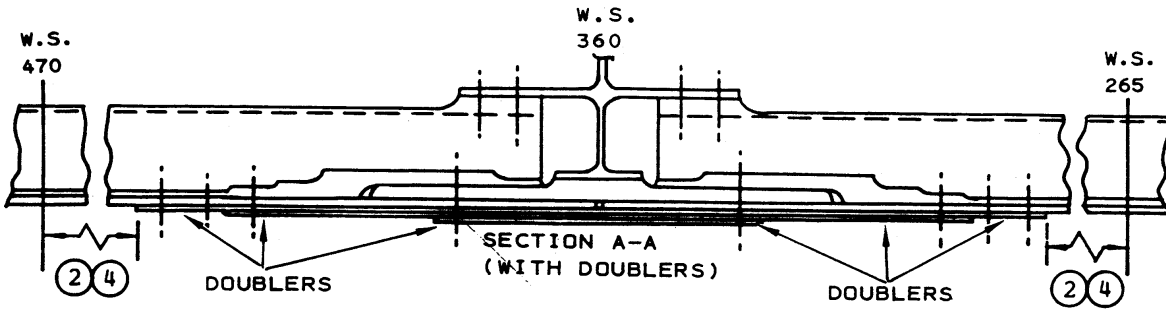
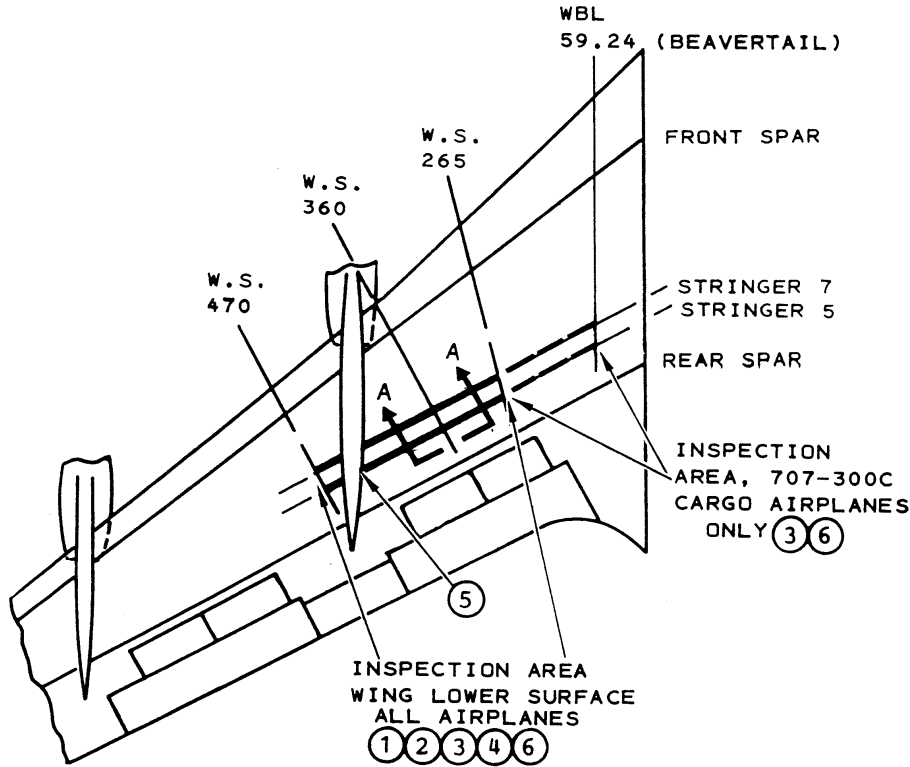
MAINT	RII/INSP
--------------	-----------------

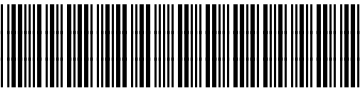


sabena B707	Module: RH WING + FL CTR	A/C Reg :	Check :	 41F3000510 Page 4 of 6
	Oper. : RT-MP LC	Issuer : A59513	Cert.St.: 46928	
	Type : STRUCT-INSP	Release Date: 25.11.2005		
Spec. : MECH. INSP				

RH WING LWR SURF INSP

MAINT RII/INSP




sabena [®] B707	Module: RH WING + FL CTR	A/C Reg :	Check :	 41F3000510
	Oper. : RT-MP LC			
	Type : STRUCT-INSP	Issuer : A59513	Cert.St.: 46928	Page 5 of 6
Spec. : MECH. INSP	Release Date: 25.11.2005			

RH WING LWR SURF INSP

WING LWR SURFACE STR S-5 & S-7 WBL 59.2-WS470 INSPECTION.

CLOSE VISUAL INTERNAL & EXTERNAL: INSPECT SKIN FOR CRACKS OF WING LOWER SURFACE STRINGERS S-5 &S-7, WBL 59.24 TROUGH WS 470.

MAINT	RII/INSP

sabena B707	Module: RH WING + FL CTR	A/C Reg :	Check :	 41F3000510
	Oper. : RT-MP LC	Issuer : A59513	Cert.St.: 46928	
	Type : STRUCT-INSP	Release Date: 25.11.2005	Page 6 of 6	

RH WING LWR SURF INSP

MAINT RII/INSP

