



sabena [®] B707	Module: RH WING + FL CTR	A/C Reg :	Check :	 41F4000500
	Oper. : RT-MP LC			
	Type : NDT INSP	Issuer : A43710	Cert.St.: 24828	Page 1 of 4
Spec. : MECHANIC	Release Date: 11.10.2001			

RH INB FLAP TRACK LOW SUP FIT WS360 INSP

Execution / Start Date:	
End Date:	


MAINT	RII/INSP

sabena B707	Module: RH WING + FL CTR	A/C Reg :	Check :	 41F4000500
	Oper. : RT-MP LC	Issuer : A43710	Cert.St.: 24828	
	Type : NDT INSP	Release Date: 11.10.2001		
Spec. : MECHANIC				

RH INB FLAP TRACK LOW SUP FIT WS360 INSP

					MAINT	RII/INSP
Nr.	Hardtime	Task	Spec.	Related Documents		
1.		E4 S	MEC	MMS-328 575050 05000 rev 15/05/01 SB 57-3413 rev .		
Check: C						
Zones: 685						
Access:						
<p>CONDITIONS: – T.E flap —> EXTENDED. – Cove lip doors WS 360 —> OPEN. – Upper wing panel WS 360 —> REMOVED.</p> <p><u>RH INBOARD FLAP TRACK LOWER SUPPORT FITTING WS 360 INSPECTION.</u></p> <p>1. Check and mark position of upstop of flap.</p> <p>2. Before inspection remove following items:</p> <ul style="list-style-type: none"> – Flap track fasteners. – Support link and fasteners. – T.E flap drive shafts inb & outb of drive shaft support fitting (I.A.W MM 27-16-101). – Side brace and fasteners (3 places). – Drive shaft support fitting. – Bushing from flap track lower support fitting. <p>3. EDDY CURRENT inspection of the flap track lower support attach hole per 707 Nondestructive test manual D6-48023 p6 subj 51-00-00 fig 1 or operator's comparable procedure.</p> <p>4. After inspection, install following items:</p> <ul style="list-style-type: none"> – Retained bushing wet with BMS 10-11 type 1 primer. – Drive shaft support fitting. – Support link and attach fasteners. – Side brace and flap tracks. <p>NOTE: – INSTALL ATTACHEMENT FASTENERS WITH DINITROL. – INSTALL ALL CASTELLATED NUTS, FINGER TIGHT AND INSTALL COTTER PIN.</p> <ul style="list-style-type: none"> – Install T.E flap drive shafts inb & outb of drive shaft support fitting. <p>5. Check upstops of flaps.</p> <p>6. DOUBLE CHECK.</p>						

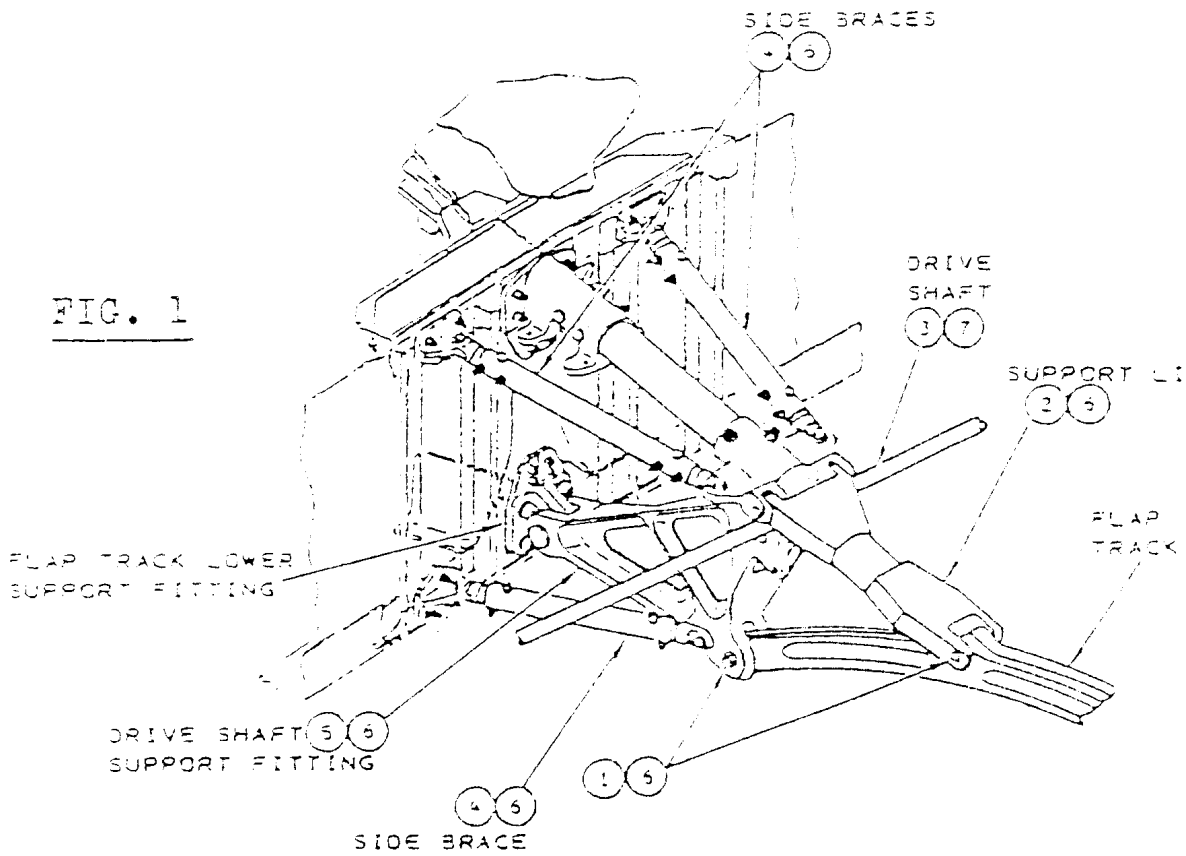
RH INB FLAP TRACK LOW SUP FIT WS360 INSP


sabena B707	Module: RH WING + FL CTR	A/C Reg :	Check :	 41F4000500
	Oper. : RT-MP LC	Issuer : A43710	Cert.St.: 24828	
	Type : NDT INSP	Release Date: 11.10.2001	Page 3 of 4	
Spec. : MECHANIC				

RH INB FLAP TRACK LOW SUP FIT WS360 INSP

MAINT	RII/INSP
--------------	-----------------

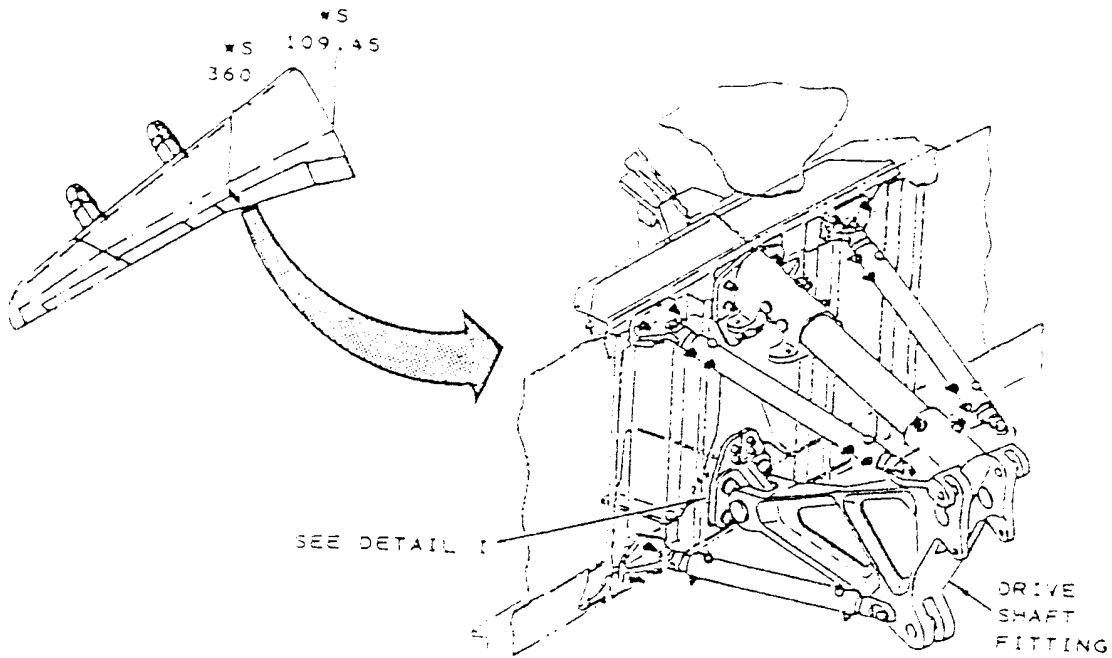
FIG. 1



sabena B707	Module: RH WING + FL CTR	A/C Reg :	Check :	 41F4000500
	Oper. : RT-MP LC	Issuer : A43710	Cert.St.: 24828	
	Type : NDT INSP	Release Date: 11.10.2001		Page 4 of 4

RH INB FLAP TRACK LOW SUP FIT WS360 INSP

MAINT	RII/INSP
--------------	-----------------



FLAP TRACK
LOWER SUPPORT
FITTING

FLAP TRACK SUPPORT STRUCTURE
-LEFT SIDE SHOWN
-RIGHT SIDE OPPOSITE

