



<b>sabena</b> <sup>®</sup> <b>B707</b>	Module: RH WING + FL CTR	A/C Reg :	Check :	 <b>41F4000501</b>
	Oper. : RT-MP LC			
	Type : NDT INSP	Issuer : A43710	Cert.St.: 24828	<b>Page 1 of 3</b>
Spec. : MECHANIC	Release Date: 11.10.2001			

**RH INB FLAP INB TRACK LWR SUP FIT WS293 INSP**

Execution / Start Date:	
End Date:	

MAINT	RII/INSP

<b>sabena</b> B707	Module: RH WING + FL CTR	A/C Reg :	Check :	
	Oper. : RT-MP LC			
	Type : NDT INSP	Issuer : A43710	Cert.St.: 24828	41F4000501
Spec. : MECHANIC	Release Date: 11.10.2001		Page 2 of 3	

**RH INB FLAP INB TRACK LWR SUP FIT WS293 INSP**

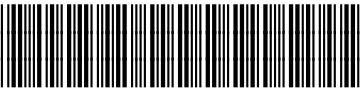
					MAINT	RII/INSP
Nr.	Hardtime	Task	Spec.	Related Documents		
1.		E4 S	MEC	MMS-328 575050 04000 rev 15/05/01 SB 57-3373 rev .		
Check: C						
Zones: 685						
Access: 1247 R						

**THRESHOLD INFO:** EFF: LX-N20199: 22553 CYC.

**CONDITIONS:** T.E FLAPS EXTENDED, COVE LIP DOORS OPEN.

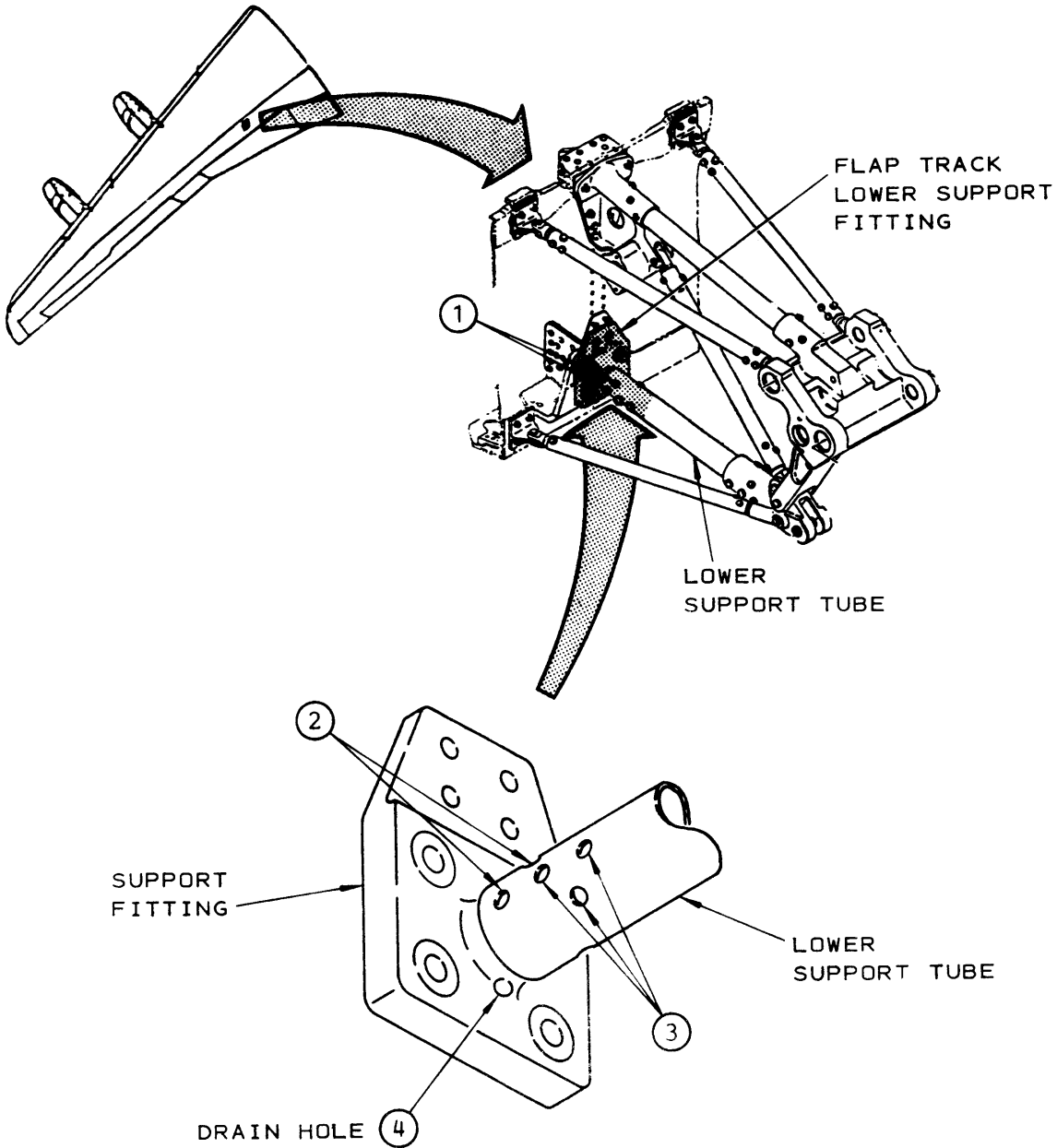
**RH INBOARD FLAP INBOARD TRACK LOWER SUPPORT FITTING WS 293 INSPECTION.**

1. Remove the 2 mostforward fasteners common to the lower support fitting and the support tube.
2. HIGH FREQUENCY EDDY CURRENT inspection for cracks in the fitting fastener hole and the fitting drain hole (if existing), on the inboard flap track lower support fitting at WS 293.
3. Install the 2 mostforward fasteners common to the lower support fitting and the support tube.

<b>sabena</b> B707	Module: RH WING + FL CTR	A/C Reg :	Check :	 <b>41F4000501</b>
	Oper. : RT-MP LC			
	Type : NDT INSP	Issuer : A43710	Cert.St.: 24828	<b>Page 3 of 3</b>
Spec. : MECHANIC	Release Date: 11.10.2001			

**RH INB FLAP INB TRACK LWR SUP FIT WS293 INSP**

MAINT	RII/INSP



**RH INB FLAP INB TRACK LWR SUP FIT WS293 INSP**