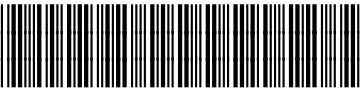



<b>sabena</b> <sup>®</sup> <b>B707</b>	Module: RH WING + FL CTR	A/C Reg :	Check :	 <b>41F4000503</b>
	Oper. : RT-MP LC			
	Type : NDT INSP	Issuer : A59513	Cert.St.: 46928	<b>Page 1 of 6</b>
Spec. : NDT INSP	Release Date: 25.11.2005			

**RH WING LWR SURF HFEC INSP**

Execution / Start Date:	
End Date:	


MAINT	RII/INSP

<b>sabena</b> <b>B707</b>	Module: RH WING + FL CTR	A/C Reg :	Check :	 <b>41F4000503</b> <b>Page 2 of 6</b>
	Oper. : RT-MP LC	Issuer : A59513	Cert.St.: 46928	
	Type : NDT INSP	Release Date: 25.11.2005		
Spec. : NDT INSP				

**RH WING LWR SURF HFEC INSP**

					MAINT	RII/INSP	
Nr.	Hardtime	Task	Spec.	Related Documents			
1.	19305 CYC	E4	NDT	AD 81-11-06 rev 1 MMS-328 570180 02002 rev 15.07.05 SB 57A3395 rev 4 SSI 57-A40-16/12 rev N			
<b>Check: S</b>							
<b>Zones: 673, 674</b>							
<b>Access: 1325R, 1326R, 1327R, 1328R</b>							
NRC YES <input type="radio"/> NO <input type="radio"/>		IF YES, NUMBER(S):					
<p><b><u>WING LWR SURFACE STR S-5 &amp; S-7 WBL 59.2-WS470 HFEC INSPECTION.</u></b></p> <p>HFEC INSPECTION REF DOC D6-48023 PART6, 57-10-07 FIG 75: INSPECT SKIN FOR CRACKS OF WING LOWER SURFACE STRINGERS S-5 &amp; S-7, WBL 59.24 TROUGH WS 470.</p>							
Nr.	Hardtime	Task	Spec.	Related Documents			
2.	19414 CYC	E4	NDT	AD 81-11-06 rev 1 AD 85-12-01 R1 rev 5439 MMS-328 570180 02002 rev 15.07.05 SB 57A3395 rev 4 SSI 57-A40-16/12 rev N			
<b>Check: S</b>							
<b>Zones: 673, 674</b>							
<b>Access: 1325R, 1326R, 1327R, 1328R</b>							
NRC YES <input type="radio"/> NO <input type="radio"/>		IF YES, NUMBER(S):					
<p><b><u>WING LWR SURFACE STR S-5 &amp; S-7 WBL 59.2-WS470 HFEC INSPECTION.</u></b></p> <p>HFEC INSPECTION REF DOC D6-48023 PART6, 57-10-07 FIG 75: INSPECT SKIN FOR CRACKS OF WING LOWER SURFACE STRINGERS S-5 &amp; S-7, WBL 59.24 TROUGH WS 470.</p>							
Nr.	Hardtime	Task	Spec.	Related Documents			
3.		E4	NDT	AD 81-11-06 rev 1 AD 85-12-01 R1 rev 5439 MMS-328 570180 02002 rev 15.07.05 SB 57A3395 rev 4 SSI 57-A40-16/12 rev N			
<b>Check: S</b>							
<b>Zones: 673, 674</b>							
<b>Access: 1325R, 1326R, 1327R, 1328R</b>							
NRC YES <input type="radio"/> NO <input type="radio"/>		IF YES, NUMBER(S):					

**RH WING LWR SURF HFEC INSP**

<b>sabena</b> B707	Module: RH WING + FL CTR	A/C Reg :	Check :	
	Oper. : RT-MP LC			
	Type : NDT INSP	Issuer : A59513	Cert.St.: 46928	41F4000503
	Spec. : NDT INSP	Release Date: 25.11.2005		Page 3 of 6

RH WING LWR SURF HFEC INSP

MAINT RII/INSP

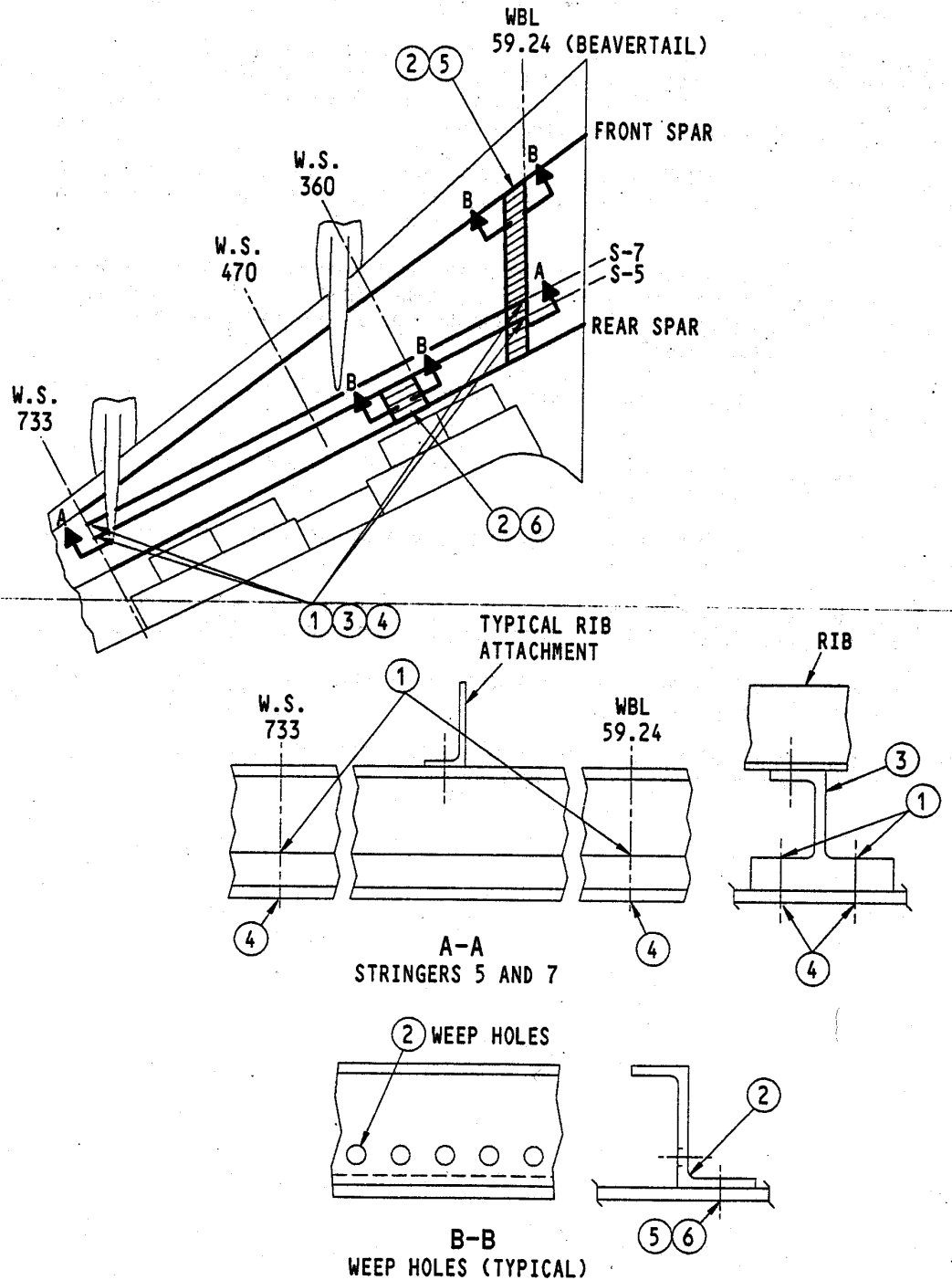

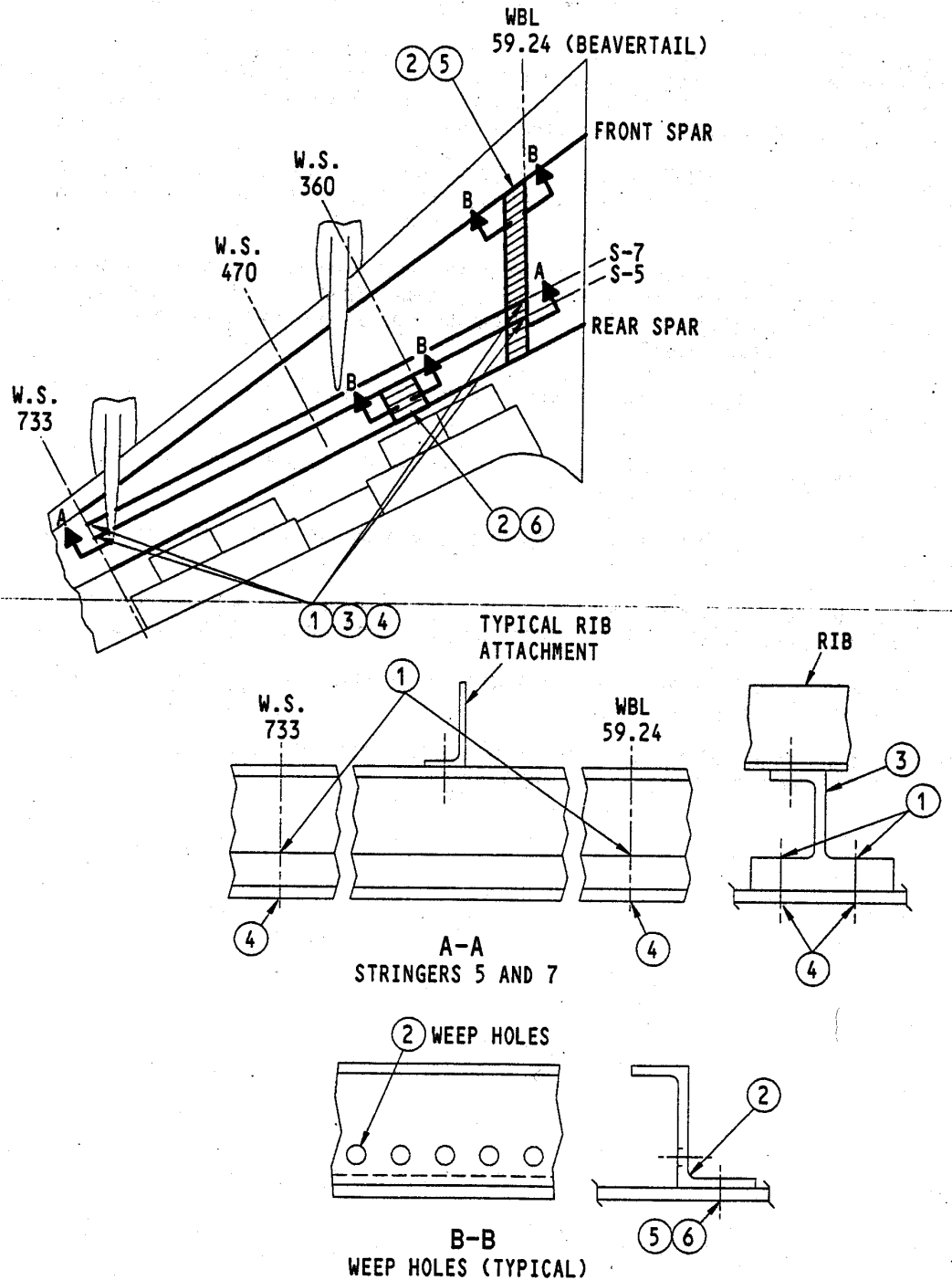


FIGURE 2. 707 SERIES INSPECTIONS OF WING LOWER SKIN AND STRINGERS

<b>sabena</b> B707	Module: RH WING + FL CTR	A/C Reg :	Check :	 <b>41F4000503</b> Page 4 of 6
	Oper. : RT-MP LC			
	Type : NDT INSP	Issuer : A59513	Cert.St.: 46928	
	Spec. : NDT INSP	Release Date: 25.11.2005		


**RH WING LWR SURF HFEC INSP**

**MAINT      RII/INSP**



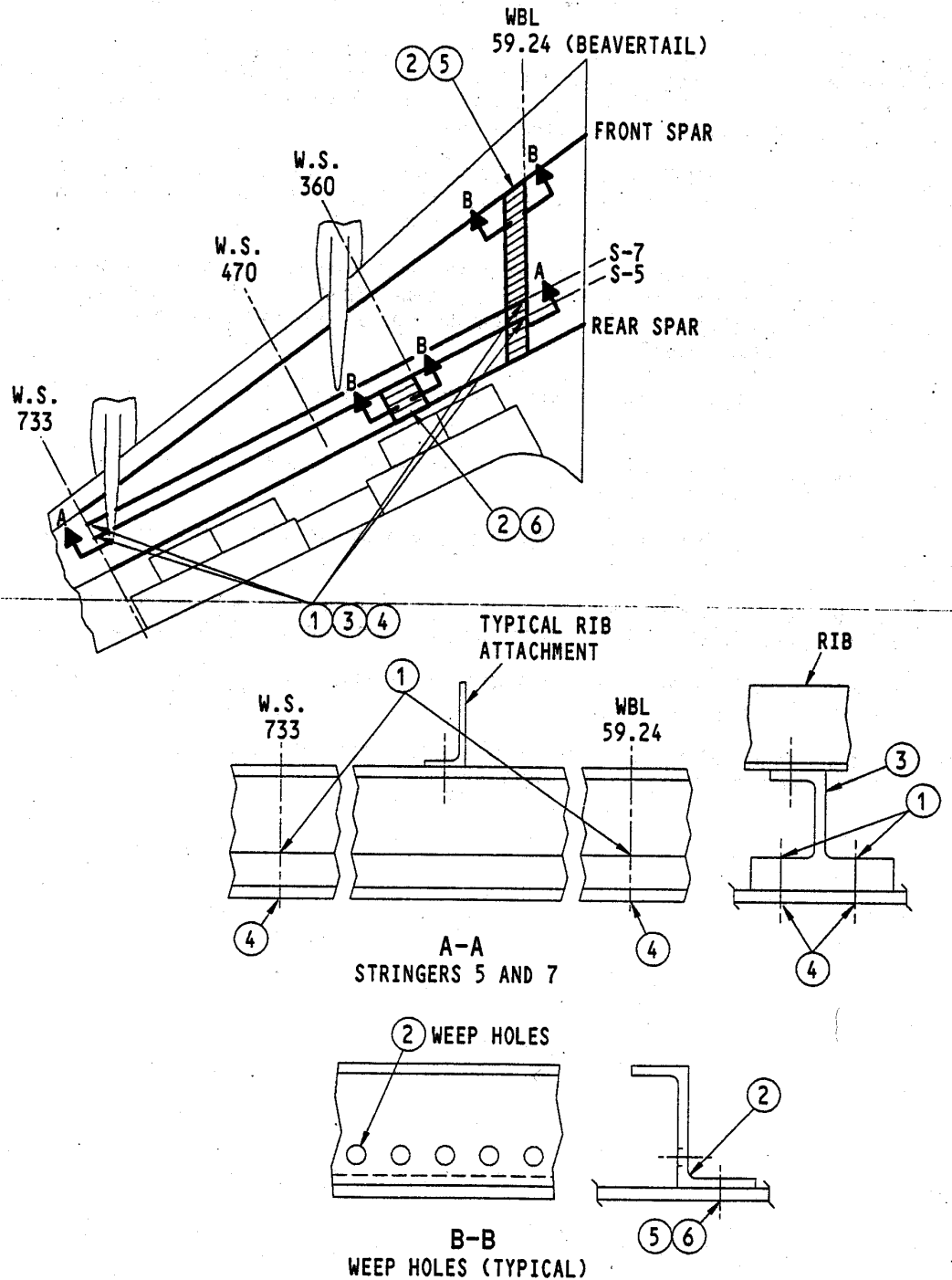
**FIGURE 2. 707 SERIES INSPECTIONS OF WING LOWER SKIN AND STRINGERS**



<b>sabena</b> B707	Module: RH WING + FL CTR	A/C Reg :	Check :	 <b>41F4000503</b> Page 6 of 6
	Oper. : RT-MP LC			
	Type : NDT INSP	Issuer : A59513	Cert.St.: 46928	
	Spec. : NDT INSP	Release Date: 25.11.2005		

**RH WING LWR SURF HFEC INSP**

**MAINT      RII/INSP**



**FIGURE 2. 707 SERIES INSPECTIONS OF WING LOWER SKIN AND STRINGERS**