



<b>sabena</b> <b>B707</b>	Module: RH WING + FL CTR	A/C Reg :	Check :	
	Oper. : RT-MP LC			
	Type : SERVICING	Issuer : A59513	Cert.St.: 45379	<b>41H1000501</b>
Spec. : MECHANIC	Release Date: 14.07.2008		<b>Page 1 of 3</b>	

**UTIL HYD PRESS FILTER REPL**

Execution / Start Date:	
End Date:	

**MAINT**      **RII/INSP**

Pos	Mat. Type	P/N	IDN	Description	Qty	Unit
1	CONSUM	BACR12BP228	866671	BACK-UP RING	1.00	EA
1	CONSUM	MS28774-214	020483	BACK-UP RING	2.00	EA
1	CONSUM	7513122	123986	FILTER	1.00	EA
1	CONSUM	NAS1611-214	024607	PACKING	1.00	EA
1	CONSUM	NAS1611-228A	211129	PACKING	1.00	EA
1	TOOL	L-458A		TORQUEMETER	1.00	EA


<b>sabena</b> <b>B707</b>	Module: RH WING + FL CTR	A/C Reg :	Check :	
	Oper. : RT-MP LC			
	Type : SERVICING	Issuer : A59513	Cert.St.: 45379	<b>41H1000501</b>
Spec. : MECHANIC	Release Date: 14.07.2008		<b>Page 2 of 3</b>	

**UTIL HYD PRESS FILTER REPL**

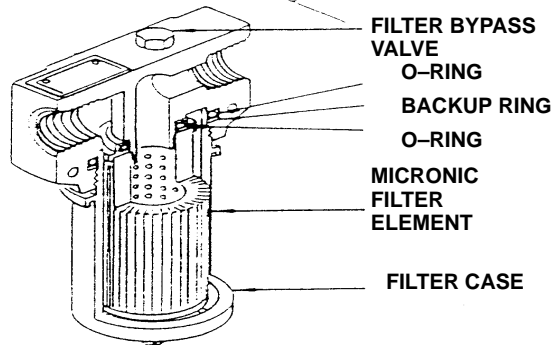
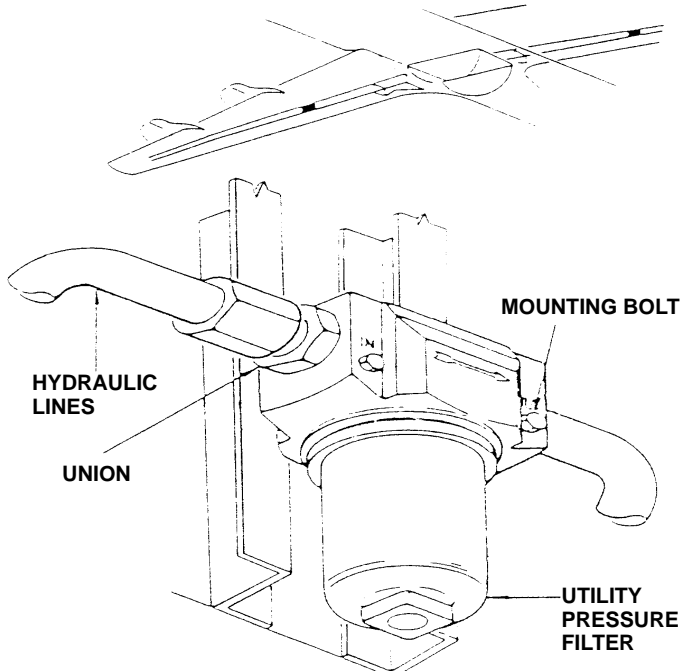
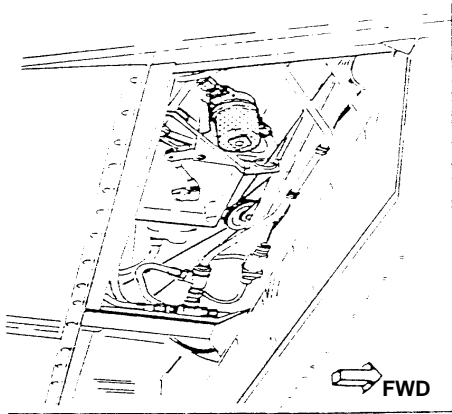
					MAINT	RII/INSP	
Nr.	Hardtime	Task	Spec.	Related Documents			
1.		S	MEC	MMS-328 291002 00102 rev 15/05/01			
<b>Check: C</b>							
<b>Zones:</b>							
<b>Access: 1358R</b>							
NRC YES <input type="radio"/> NO <input type="radio"/>		IF YES, NUMBER(S): .....					

**RH WING UTILITY HYDRAULIC SYSTEM PRESSURE FILTER REPLACEMENT.**

1. Remove pressure filter.
  - Depressurize utility hydraulic system. Position bypass valve handle to "BYPASS" and depressurize utility reservoir.
  - Unscrew filter case with element.
  - Remove filter element and clean the case.
2. Installation of new filter.
  - Install new filter element with new packings and new backup ring, screw filter case into filter head. Torque filter case to 150 pound-inches and secure with wire.
  - Tighten reservoir cap, close and safety wire bypass valve.
3. Check filter for leaks with ENGINE RUNNING.

<b>sabena</b> B707	Module: RH WING + FL CTR	A/C Reg :	Check :	 <b>41H1000501</b>
	Oper. : RT-MP LC	Issuer : A59513	Cert.St.: 45379	
	Type : SERVICING	Release Date: 14.07.2008	<b>Page 3 of 3</b>	
Spec. : MECHANIC				

**UTIL HYD PRESS FILTER REPL**



**FILTER PRESSURE**

**MAINT      RII/INSP**