


<b>sabena</b> <b>B707</b>	Module: RH WING + FL CTR	A/C Reg :	Check :	
	Oper. : RT-MP LC			
	Type : *LUBE*	Issuer : A43710	Cert.St.: 46928	<b>41I0000503</b>
Spec. : MECHANIC	Release Date: 23.07.2003		<b>Page 1 of 12</b>	


**RH WING FLAP OPER MECH LUB**

			<b>MAINT</b>	<b>RII/INSP</b>
Execution / Start Date:				
End Date:				

Pos	Mat. Type	P/N	IDN	Description	Qty	Unit
1	FL & CH	MIL-G-23827		GREASE	0.00	
1	FL & CH	MIL-L-7808		OIL	0.00	


--	--	--	--	--	--	--

**RH WING FLAP OPER MECH LUB**

<b>sabena</b> <b>B707</b>	Module: RH WING + FL CTR	A/C Reg :	Check :	 <b>41I0000503</b> <b>Page 2 of 12</b>
	Oper. : RT-MP LC			
	Type : *LUBE*	Issuer : A43710	Cert.St.: 46928	
	Spec. : MECHANIC	Release Date: 23.07.2003		

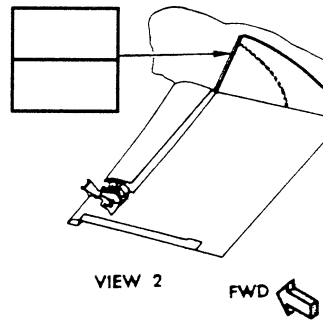
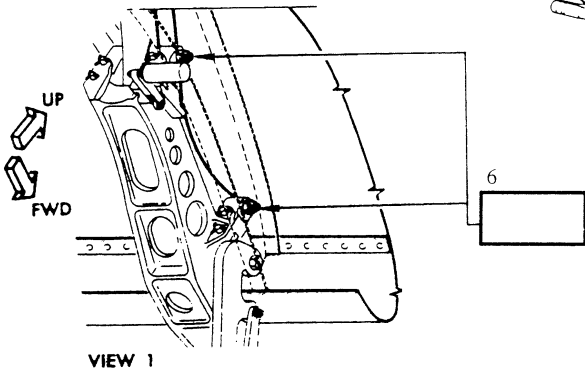
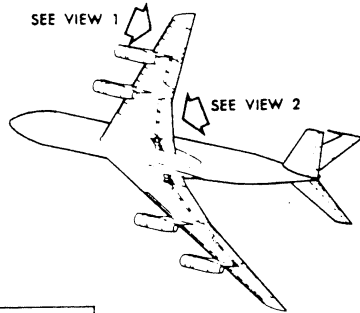
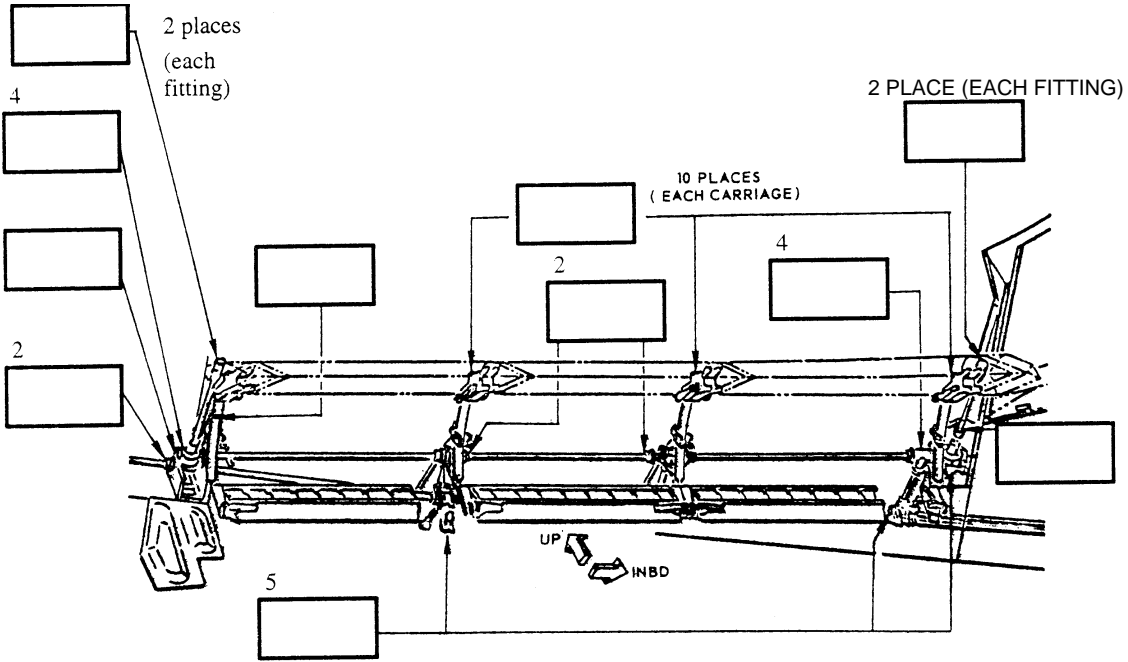
**RH WING FLAP OPER MECH LUB**

					MAINT	RII/INSP
Nr.	Hardtime	Task	Spec.	Related Documents		
1.		S	MEC	MMS-328 275007 00102 rev 15/05/01		
<b>Check: C</b> <b>Zones:</b> <b>Access:</b>						
<p><b><u>RH WING FLAP OPERATING MECHANISM LUBRICATION.</u></b></p> <p>Lubricate the RH wing fillet flap operating mechanism:</p> <ul style="list-style-type: none"> <li>- Fillet flap transmission assy. (see index 4).</li> <li>- Fillet flap angle &amp; tee gear boxes. (see index 6 &amp; 7).</li> <li>- Fillet flap cove lip doors inbd &amp; outbd cam followers. (see index 11).</li> <li>- Flaperette crank cam follower &amp; crank hinge bolts. (see index 12 &amp; 13).</li> <li>- Fillet flap inbd hinge fitting. (see index 14).</li> <li>- Outbd flaperette crank &amp; crank cam follower. (see index 15 &amp; 16).</li> <li>- Fillet flap torque bearing support. (see index 2A).</li> <li>- Fillet flap fence track rollers. (see index 27).</li> <li>- Fillet flap actuator &amp; drive shaft spline. (see index 5).</li> <li>- Fillet flap actuator shaft outbd end. (see index 5A).</li> </ul>						


<b>sabena</b> B707	Module: RH WING + FL CTR	A/C Reg :	Check :	
	Oper. : RT-MP LC	Issuer : A43710	Cert.St.: 46928	
	Type : *LUBE*	Release Date: 23.07.2003	Page 3 of 12	

**RH WING FLAP OPER MECH LUB**

**MAINT      RII/INSP**



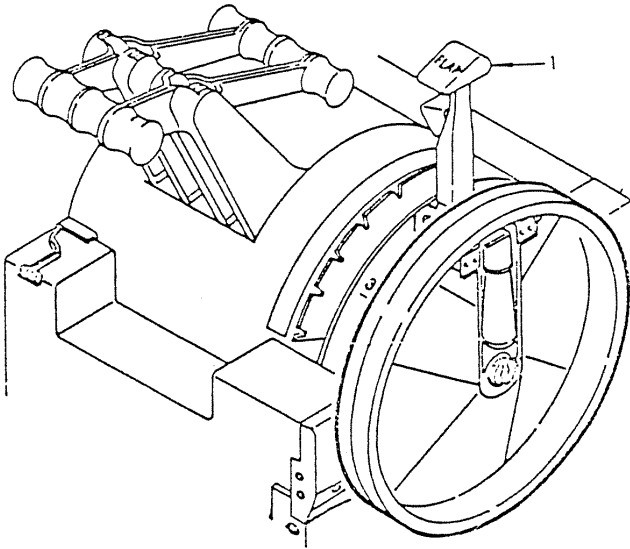


<b>sabena</b> B707	Module: RH WING + FL CTR	A/C Reg :	Check :	 <b>4110000503</b>
	Oper. : RT-MP LC			
	Type : *LUBE*	Issuer : A43710	Cert.St.: 46928	<b>Page 5 of 12</b>
	Spec. : MECHANIC	Release Date: 23.07.2003		

**RH WING FLAP OPER MECH LUB**

<b>MAINT</b>	<b>RII/INSP</b>
--------------	-----------------

INDEX NO.	ITEM TO BE LUBRICATED	INSTRUCTIONS
1	FLAP CONTROL LEVER	Apply a light film of Aeroshell Grease 7A, to sliding surface of handle.

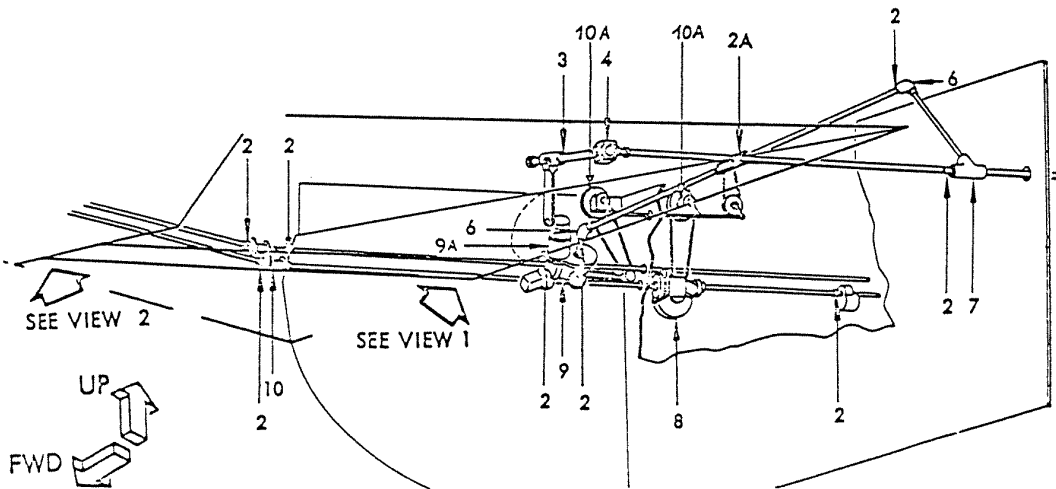
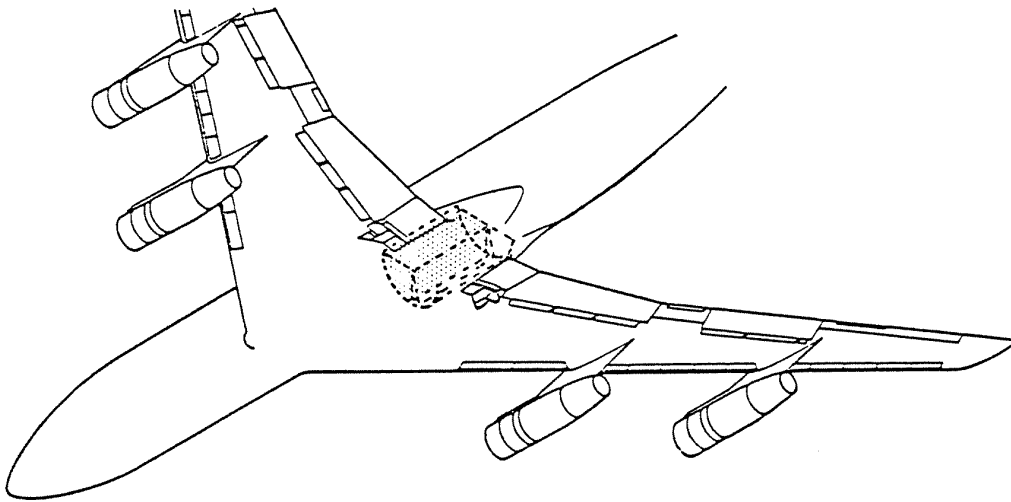


Wing Flaps and Flap Control System Lubrication  
Figure 201


**RH WING FLAP OPER MECH LUB**

**MAINT      RII/INSP**

INDEX NO.	ITEM TO BE LUBRICATED	INSTRUCTIONS
2	TORQUE TUBE COUPLINGS (TYPICAL)	If torque tube couplings are disconnected, clean and apply a light film of Aeroshell grease 17. Wipe off excess.
2A	FILLET FLAP TORQUE BEARING SUPPORT	Apply Aeroshell Grease 17 to flush fitting.
3	FILLET FLAP TRANSMISSION JACKSCREW	Apply Aeroshell Grease 17, at grease fitting in ball nut. (If ball nut does not have grease fitting, wipe jackscrew clean, apply a light film of oil, MIL-L-7870, operate one cycle and wipe off excess.)



Wing Flaps and Flap Control System Lubrication  
Figure 202 (Sheet 1)

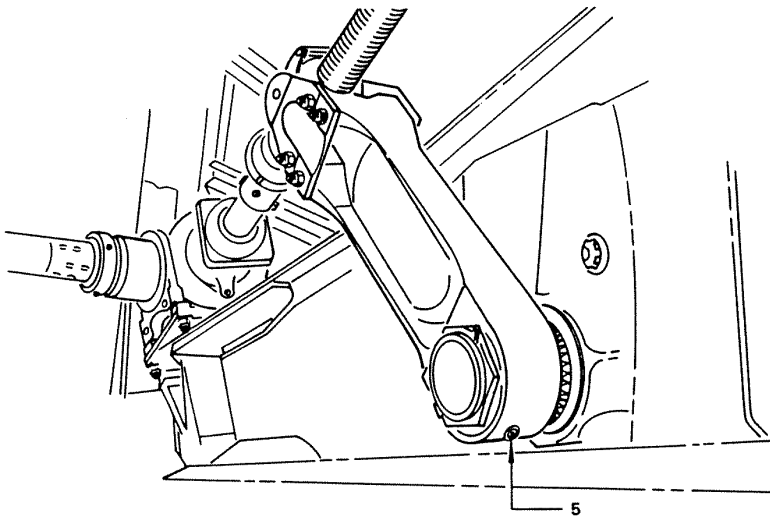
<b>sabena</b> B707	Module: RH WING + FL CTR	A/C Reg :	Check :	 4110000503 Page 7 of 12
	Oper. : RT-MP LC	Issuer : A43710	Cert.St.: 46928	
	Type : *LUBE*	Release Date: 23.07.2003		
	Spec. : MECHANIC			

**RH WING FLAP OPER MECH LUB**


**MAINT      RII/INSP**

INDEX NO.	ITEM TO BE LUBRICATED	INSTRUCTIONS
4	FILLET FLAP TRANSMISSION ASSEMBLY	Fill to level of filler plug with lubricant. ▷ Then remove 1 pint.
5	FILLET FLAP ACTUATOR ARM AND DRIVE SHAFT SPLINES	Apply MIL-G-21164
5A ▷	FILLET FLAP ACTUATION SHAFT OUTBOARD END	Apply MIL-G-21164
6	FILLET FLAP ANGLE GEARBOX	Fill to level of filler plug with lubricant. ▷
7	FILLET FLAP TEE GEARBOX	Fill to level of filler plug with lubricant. ▷
8	OUTBOARD FLAP POWER UNIT	Fill to level indicated on decal with lubricant. ▷
9	INBOARD AND FILLET FLAP POWER UNIT	Fill to level indicated on decal with lubricant. ▷
9A	INBOARD AND FILLET FLAP EMERGENCY DRIVE UNIT	Fill to level indicated on the unit with MIL-L-6085.
10	FLAP ANGLE GEARBOXES	Fill to level of filler plug with lubricant. ▷

▷ A mixture, by volume, of 1 part MIL-G-81322 and four parts MIL-L-7808 lubricating oil.

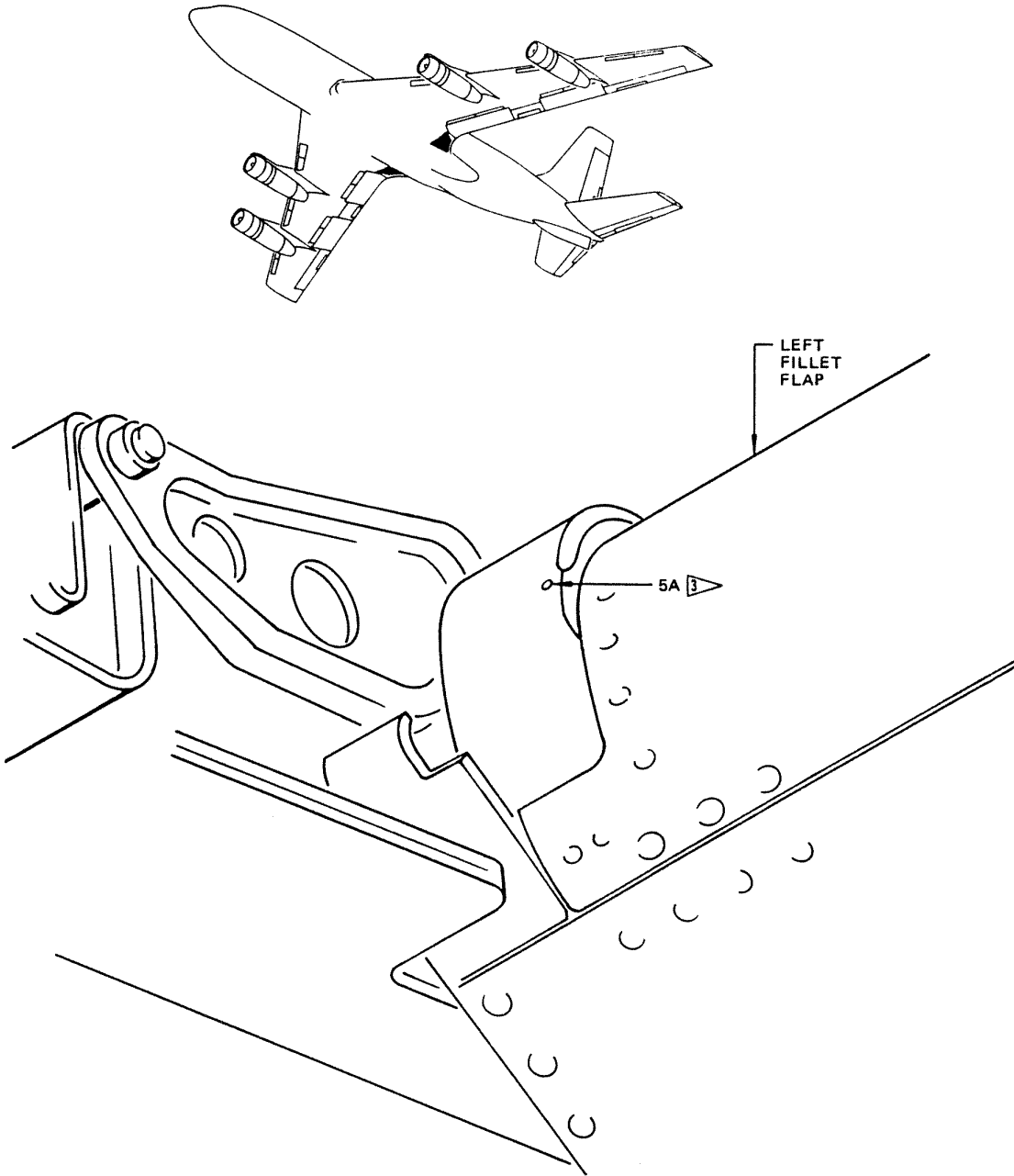


Wing Flaps and Flap Control System Lubrication  
Figure 202 (Sheet 2)


<b>sabena</b> B707	Module: RH WING + FL CTR	A/C Reg :	Check :	 4110000503
	Oper. : RT-MP LC			
	Type : *LUBE*	Issuer : A43710	Cert.St.: 46928	Page 8 of 12
	Spec. : MECHANIC	Release Date: 23.07.2003		

**RH WING FLAP OPER MECH LUB**

MAINT	RII/INSP



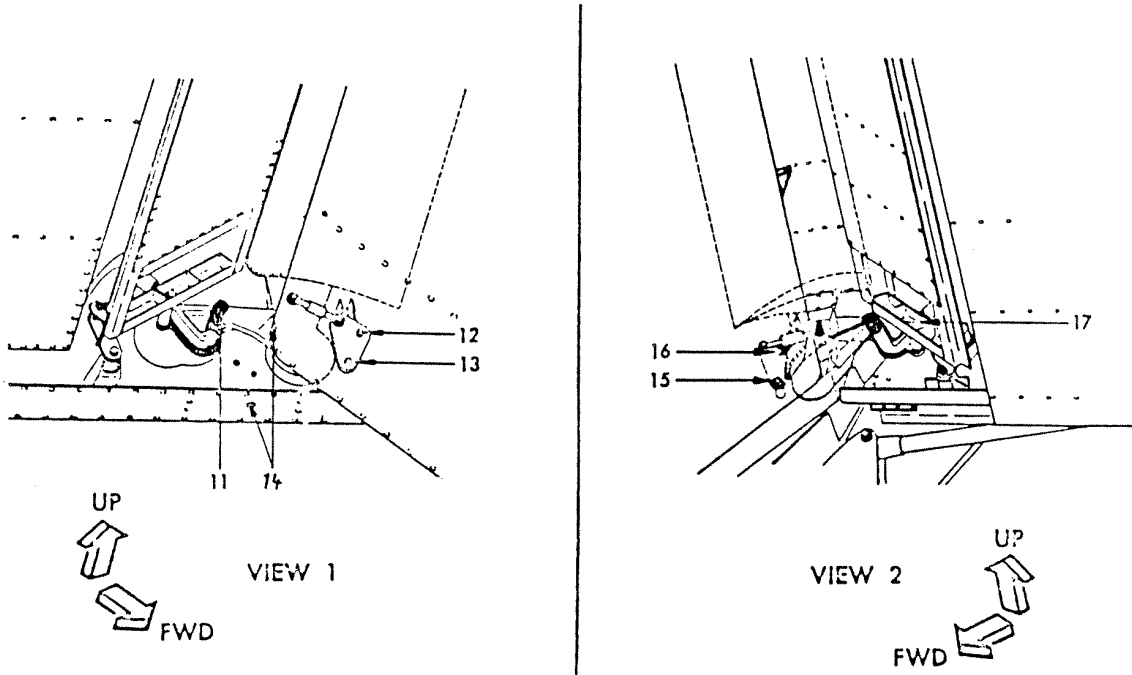
Wing Flaps and Flap Control System Lubrication  
Figure 202 (Sheet 2A)

<b>sabena</b> <b>B707</b>	Module: RH WING + FL CTR	A/C Reg :	Check :	 <b>4110000503</b> <b>Page 9 of 12</b>
	Oper. : RT-MP LC			
	Type : *LUBE*	Issuer : A43710	Cert.St.: 46928	
	Spec. : MECHANIC	Release Date: 23.07.2003		

**RH WING FLAP OPER MECH LUB**


INDEX NO.	ITEM TO BE LUBRICATED	INSTRUCTIONS
11	FILLET FLAP COVE LIP DOOR INBOARD CAM FOLLOWER	Apply Aeroshell Grease 17, to flush fitting.
12	FLAPPERETTE CRANK CAM FOLLOWER	Apply Aeroshell Grease 17, to flush fittings (1 place).
13	FLAPPERETTE CRANK HINGE BOLT	Apply Aeroshell Grease 17, to flush fitting.
14	FILLET FLAP INBOARD HINGE FITTING	Apply Aeroshell Grease 17, to flush fitting. (2 places)
15	OUTBOARD FLAPPERETTE CRANK	Apply Aeroshell Grease 17, to flush fitting.
16	OUTBOARD FLAPPERETTE CRANK CAM FOLLOWER	Apply Aeroshell Grease 17, to flush fitting.
17	FILLET FLAP COVE LIP DOOR OUTBOARD CAM FOLLOWER	Apply Aeroshell Grease 17 to flush fitting.

**MAINT      RII/INSP**



SAB. 707/531

Wing Flaps and Flap Control System Lubrication  
Figure 202 (Sheet 3)

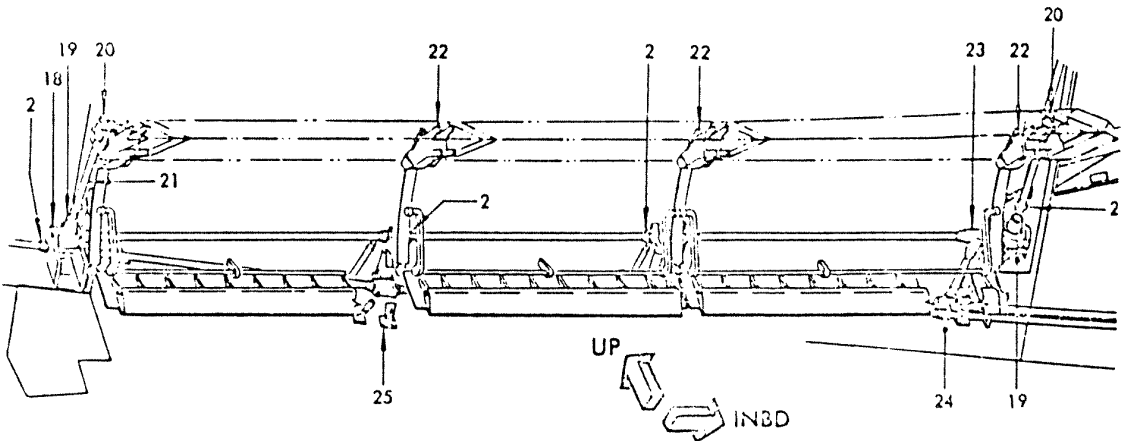
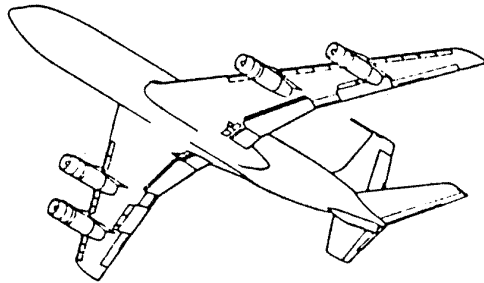
<b>sabena</b> B707	Module: RH WING + FL CTR	A/C Reg :	Check :	 4110000503 Page 10 of 12
	Oper. : RT-MP LC	Issuer : A43710	Cert.St.: 46928	
	Type : *LUBE*	Release Date: 23.07.2003		
Spec. : MECHANIC				

**RH WING FLAP OPER MECH LUB**


**MAINT      RII/INSP**

INDEX NO.	ITEM TO BE LUBRICATED	INSTRUCTIONS
18	FLAP TRANSMISSION ASSEMBLY TRUNNION SUPPORT	Apply Aeroshell Grease 17, to flush fittings.
19	FLAP TRANSMISSION ASSEMBLY	Fill to level of filler plug with lubricant. ▽
20	FLAP SUPPORT FITTING	Apply Aeroshell Grease 17, to flush fittings (2 places each fitting).
21	FLAP TRANSMISSION ASSEMBLY JACKSCREW	Apply Aeroshell Grease 17, to grease fitting at ball nut. (If ball nut does not have grease fitting, wipe jackscrew clean, apply a light film of oil, MIL-L-7870, operate one cycle and wipe off excess.)

▽ A mixture, by volume, of one part Aeroshell Grease 7A and four parts MIL-L-7808 lubricating oil.



SAB 707/342  
Wing Flaps and Flap Control System Lubrication  
Figure 202 (Sheet 4)

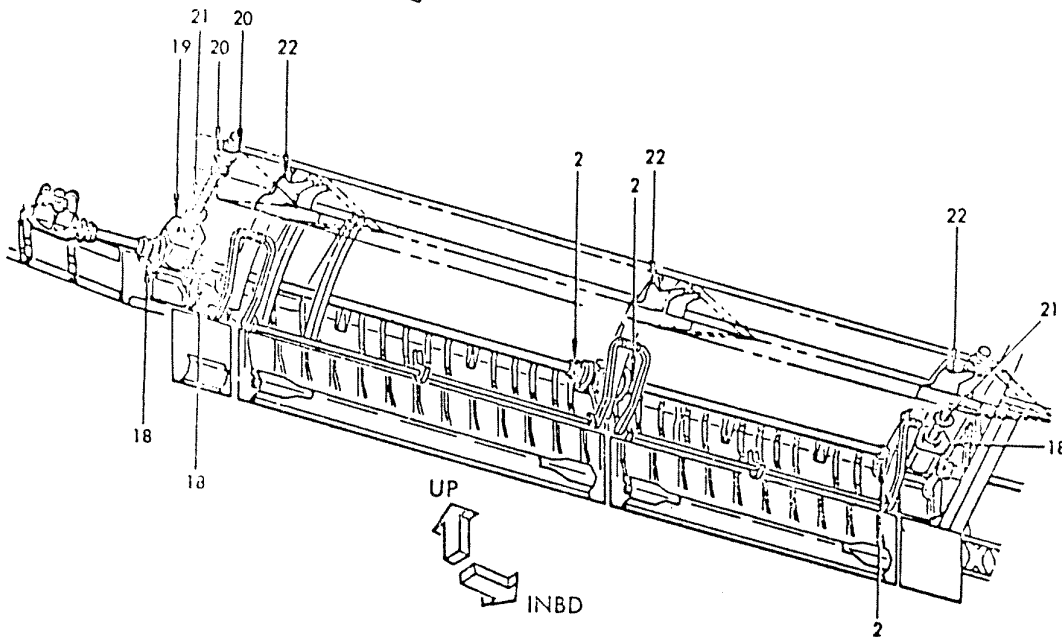
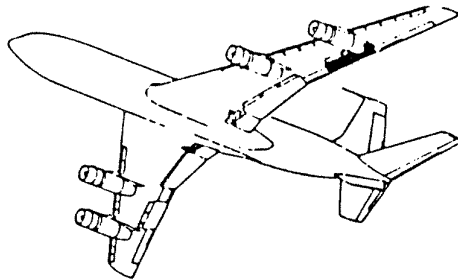
<b>sabena</b> B707	Module: RH WING + FL CTR	A/C Reg :	Check :	 4110000503 Page 11 of 12
	Oper. : RT-MP LC	Issuer : A43710	Cert.St.: 46928	
	Type : *LUBE*	Release Date: 23.07.2003		
	Spec. : MECHANIC			

**RH WING FLAP OPER MECH LUB**


**MAINT      RII/INSP**

INDEX NO.	ITEM TO BE LUBRICATED	INSTRUCTIONS
22	FLAP CARRIAGE	Apply Aeroshell Grease 17, to flush fittings (10 place each carriage).
23	INBOARD FLAP TEE GEARBOX	Fill to level of filler plug with lubricant. ▷
24	INBOARD FLAP GEARBOX	Fill to level of filler plug with lubricant. ▷
25	OUTBOARD FLAP ANGLE GEARBOX	Fill to level of filler plug with lubricant. ▷

▷ A mixture, by volume, of one part Aeroshell Grease 7A and four parts MIL-L-7808 lubricating oil.



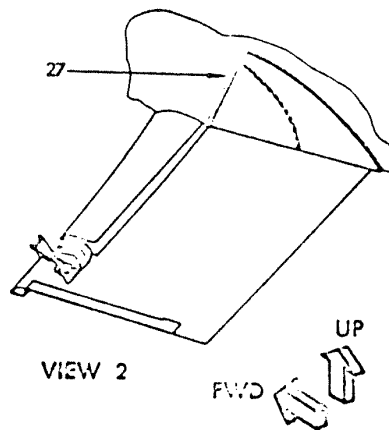
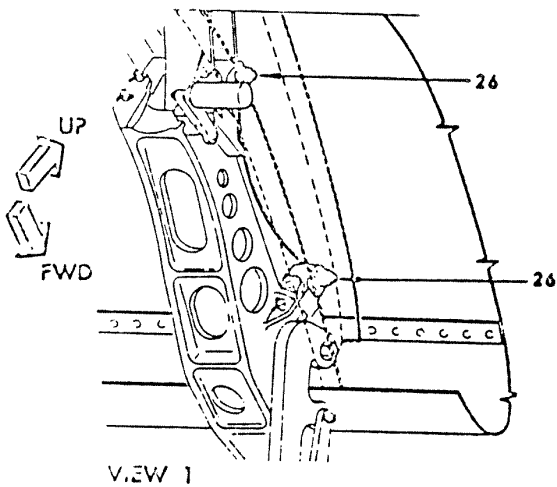
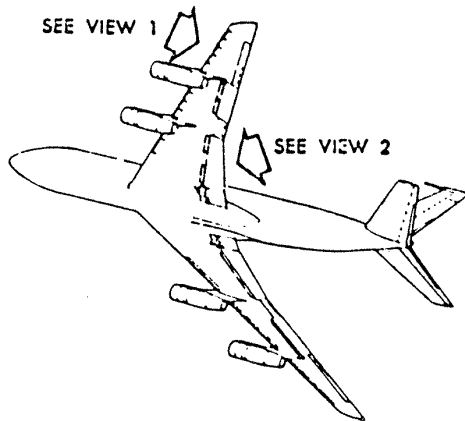
SAB 707/342  
Wing Flaps and Flap Control System Lubrication  
Figure 202 (Sheet 5)

<b>sabena</b> B707	Module: RH WING + FL CTR	A/C Reg :	Check :	 4110000503 Page 12 of 12
	Oper. : RT-MP LC	Issuer : A43710	Cert.St.: 46928	
	Type : *LUBE*	Release Date: 23.07.2003		
	Spec. : MECHANIC			

**RH WING FLAP OPER MECH LUB**

**MAINT      RII/INSP**

INDEX NO.	ITEM TO BE LUBRICATED	INSTRUCTIONS
26	OUTBOARD LEADING EDGE SLAT CARRIAGE TRACK ROLLERS	Apply Aeroshell Grease 17, to flush fittings. To lubricate, extend slats so that carriage rollers are aligned with lubrication holes in adjacent ribs. Trucks must be removed from carriage at inboard end of leading edge slat No. 5 due to lack of access holes in adjacent rib.
27	FILLET FLAP FENCE TRACK ROLLER	Apply Aeroshell Grease 17, to flush fittings (2 places).



Wing Flaps and Flap Control System Lubrication  
Figure 202 (Sheet 6)