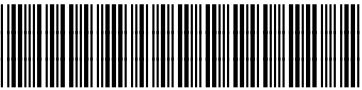



sabena [®] B707	Module: HOR STAB + FL CT	A/C Reg :	Check :	
	Oper. : RT-MP LC			
	Type : OPEN	Issuer : A43710	Cert.St.: 24828	61C1000503
Spec. : GENERAL	Release Date: 26.10.2001		Page 1 of 4	

OPEN-RH LOWER STAB & ELEVATOR

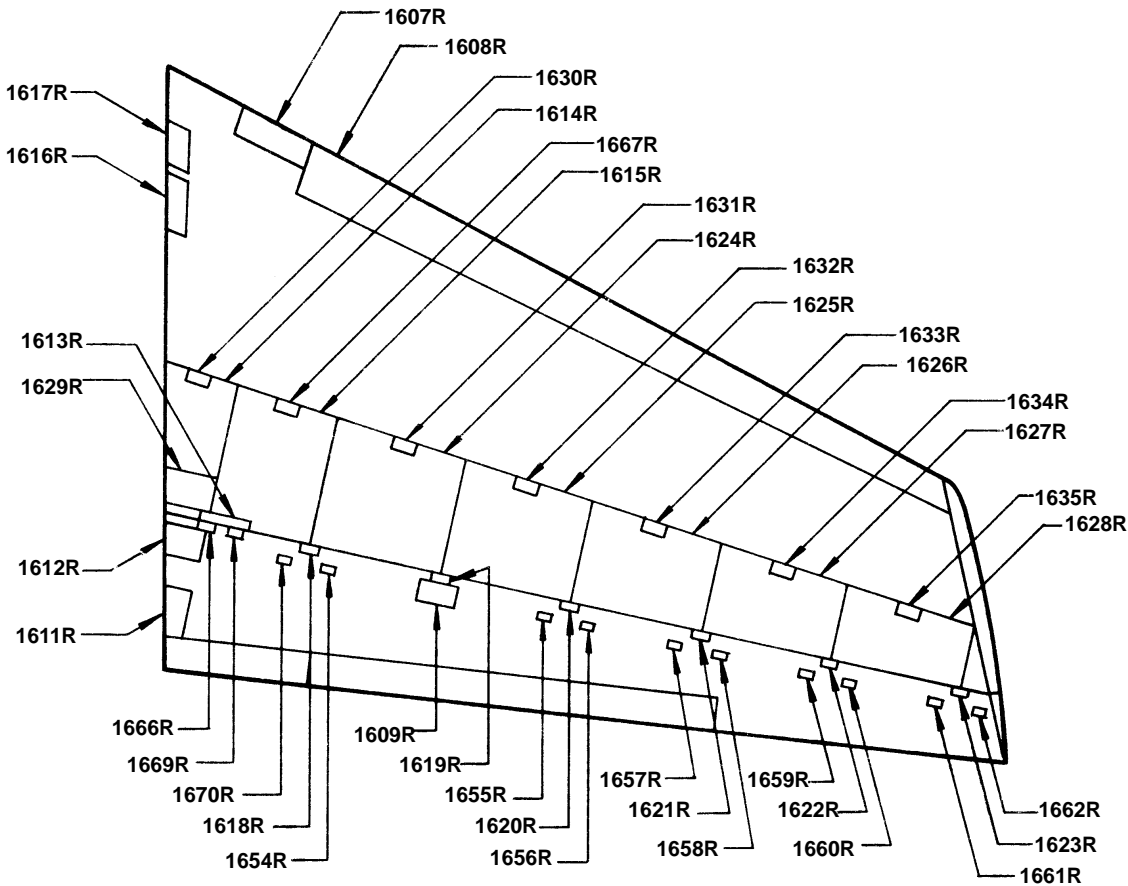
Execution / Start Date:	
End Date:	

MAINT	RII/INSP

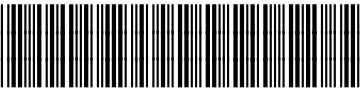
sabena B707	Module: HOR STAB + FL CT	A/C Reg :	Check :	 61C1000503 Page 2 of 4
	Oper. : RT-MP LC			
	Type : OPEN	Issuer : A43710	Cert.St.: 24828	
	Spec. : GENERAL	Release Date: 26.10.2001		

OPEN-RH LOWER STAB & ELEVATOR

					MAINT	RII/INSP
Nr.	Hardtime	Task	Spec.	Related Documents		
1.			GEN			
Check: C, C1						
Zones:						
Access:						



RH LOWER STAB & ELEVATOR

sabena B707	Module: HOR STAB + FL CT	A/C Reg :	Check :	 61C1000503 Page 3 of 4
	Oper. : RT-MP LC			
	Type : OPEN	Issuer : A43710	Cert.St.: 24828	
	Spec. : GENERAL	Release Date: 26.10.2001		


OPEN-RH LOWER STAB & ELEVATOR

MAINT RII/INSP

IMPORTANT! Also open all access panels of the lower checks !!!

A	B	C	C1	C2	S	S1	S2	DESCRIPTION	PANEL NO	OPEN
			X					ELEVATOR ACCESS PANEL	1609R	
								ELEVATOR CTRL ROD FAIRING	1611R	
		X	X					ELEVATOR TRIM TAB CRTL ACCESS PANEL	1612R	
		X	X					ELEVATOR THRUST HINGE ACCESS PANEL	1613R	
			X					ELEVATOR TRIM TAB CRTL ACCESS PANEL	1614R	
								ELEVATOR BALANCE PANEL	1615R	
								STAB FRONT SPAR INBD ACCESS PANEL	1616R	
								STAB FRONT SPAR INBD ACCESS PANEL	1617R	
		X	X					ELEVATOR HINGE ACCESS PANEL	1618R	
		X	X					ELEVATOR HINGE ACCESS PANEL	1619R	
		X	X					ELEVATOR HINGE ACCESS PANEL	1620R	
		X	X					ELEVATOR HINGE ACCESS PANEL	1621R	
		X	X					ELEVATOR HINGE ACCESS PANEL	1622R	
		X	X					ELEVATOR HINGE ACCESS PANEL	1623R	
								ELEVATOR BALANCE PANEL	1624R	
		X						ELEVATOR BALANCE PANEL	1625R	
		X						ELEVATOR BALANCE PANEL	1626R	
		X						ELEVATOR BALANCE PANEL	1627R	
		X						ELEVATOR BALANCE PANEL	1628R	
			X					ELEVATOR TAB CTRL ACCESS PANEL	1629R	

OPEN-RH LOWER STAB & ELEVATOR

sabena B707	Module: HOR STAB + FL CT	A/C Reg :	Check :	 61C1000503 Page 4 of 4
	Oper. : RT-MP LC			
	Type : OPEN	Issuer : A43710	Cert.St.: 24828	
	Spec. : GENERAL	Release Date: 26.10.2001		

OPEN-RH LOWER STAB & ELEVATOR

MAINT RII/INSP

IMPORTANT! Also open all access panels of the lower checks !!!

A	B	C	C1	C2	S	S1	S2	DESCRIPTION	PANEL NO	OPEN
								INSPECTION PANEL	1630R	
			X					INSPECTION PANEL	1631R	
			X					INSPECTION PANEL	1632R	
			X					INSPECTION PANEL	1633R	
			X					INSPECTION PANEL	1634R	
			X					INSPECTION PANEL	1635R	
								INSPECTION PANEL	1654R	
								INSPECTION PANEL	1655R	
								INSPECTION PANEL	1656R	
								INSPECTION PANEL	1657R	
								INSPECTION PANEL	1658R	
								INSPECTION PANEL	1659R	
								INSPECTION PANEL	1660R	
								INSPECTION PANEL	1661R	
								INSPECTION PANEL	1662R	
		X	X					ELEVATOR HINGE ACCESS PANEL	1666R	
			X					INSPECTION PANEL	1667R	
								INSPECTION PANEL	1669R	
								INSPECTION PANEL	1670R	

OPEN-RH LOWER STAB & ELEVATOR