


| | | | | |
|---|--------------------------|-----------------|-----------------|---|
| sabena [®] B707 | Module: HOR STAB + FL CT | A/C Reg : | Check : |  61F3000505 |
| | Oper. : RT-MP LC | | | |
| | Type : STRUCT-INSP | Issuer : A43710 | Cert.St.: 24828 | Page 1 of 4 |
| Spec. : MECHANIC | Release Date: 05.10.2001 | | | |


AD 90-25-07 rev 6788

RH HOR STAB EXT SURF INSP

| | | MAINT | RII/INSP |
|-------------------------|--|-------|----------|
| Execution / Start Date: | | | |
| End Date: | | | |

AD 90-25-07 rev 6788

RH HOR STAB EXT SURF INSP

| | | | | |
|------------------------------|--------------------------|--------------------------|-----------------|---|
| sabena B707 | Module: HOR STAB + FL CT | A/C Reg : | Check : |  61F3000505 Page 2 of 4 |
| | Oper. : RT-MP LC | Issuer : A43710 | Cert.St.: 24828 | |
| | Type : STRUCT-INSP | Release Date: 05.10.2001 | | |
| Spec. : MECHANIC | | | | |

AD 90-25-07 rev 6788 RH HOR STAB EXT SURF INSP

| | | | | | MAINT | RII/INSP |
|------------------------|----------|------|-------|--|-------|----------|
| Nr. | Hardtime | Task | Spec. | Related Documents | | |
| 1. | | E3 | MEC | AD 90-25-07 rev 6788 CPCP C55-300-01P2 rev E MMS-328 551100 02000 rev 15/05/01 | | |
| Check: C1 | | | | | | |
| Zones: 392, 394 | | | | | | |
| Access: | | | | | | |

RH HORIZONTAL STABILIZER EXTERIOR SURFACE INSPECTION.


1. Perform inspection of exterior surface of RH horizontal stabilizer, including trailing edge panels and elevators, with particular attention to:

- Skin especially around fasteners
- Elevator skin surfaces.

CORROSION INSPECTION SUMMARY.

| DESCRIPTION: | HIGHEST CORROSION LEVEL. | | | | DR Nr. |
|--|--------------------------|---|---|---|--------|
| | NO | 1 | 2 | 3 | |
| - Skin especially around fasteners. - Elevator skin surfaces. | | | | | |

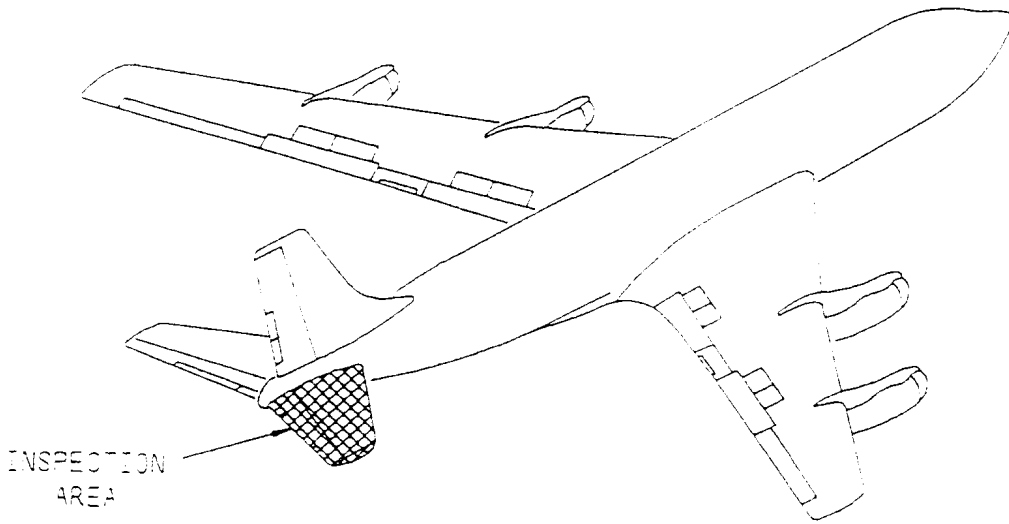
2. Clear any blocked holes or gaps that may hinder drainage.
3. Apply DINITROL (**only locally to the exposed portions of the rear spar chords**).

| | | | | |
|-----------------------|--------------------------|--------------------------|-----------------|--|
| sabena B707 | Module: HOR STAB + FL CT | A/C Reg : | Check : |  61F3000505 |
| | Oper. : RT-MP LC | Issuer : A43710 | Cert.St.: 24828 | |
| | Type : STRUCT-INSP | Release Date: 05.10.2001 | | Page 3 of 4 |
| Spec. : MECHANIC | | | | |

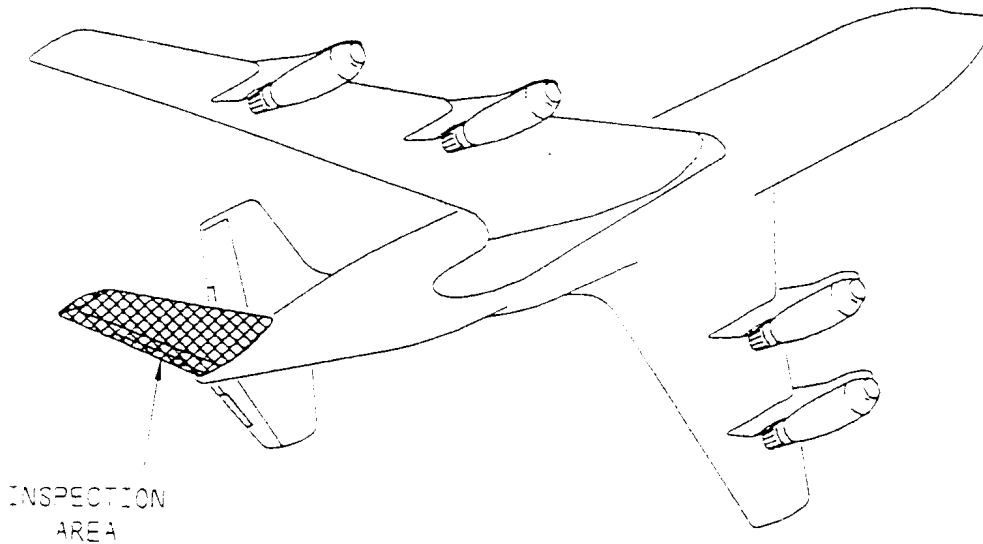
AD 90-25-07 rev 6788

RH HOR STAB EXT SURF INSP

| MAINT | RII/INSP |
|-------|----------|
| | |




RIGHT HORIZONTAL STABILIZER UPPER SKIN



RIGHT HORIZONTAL STABILIZER LOWER SKIN

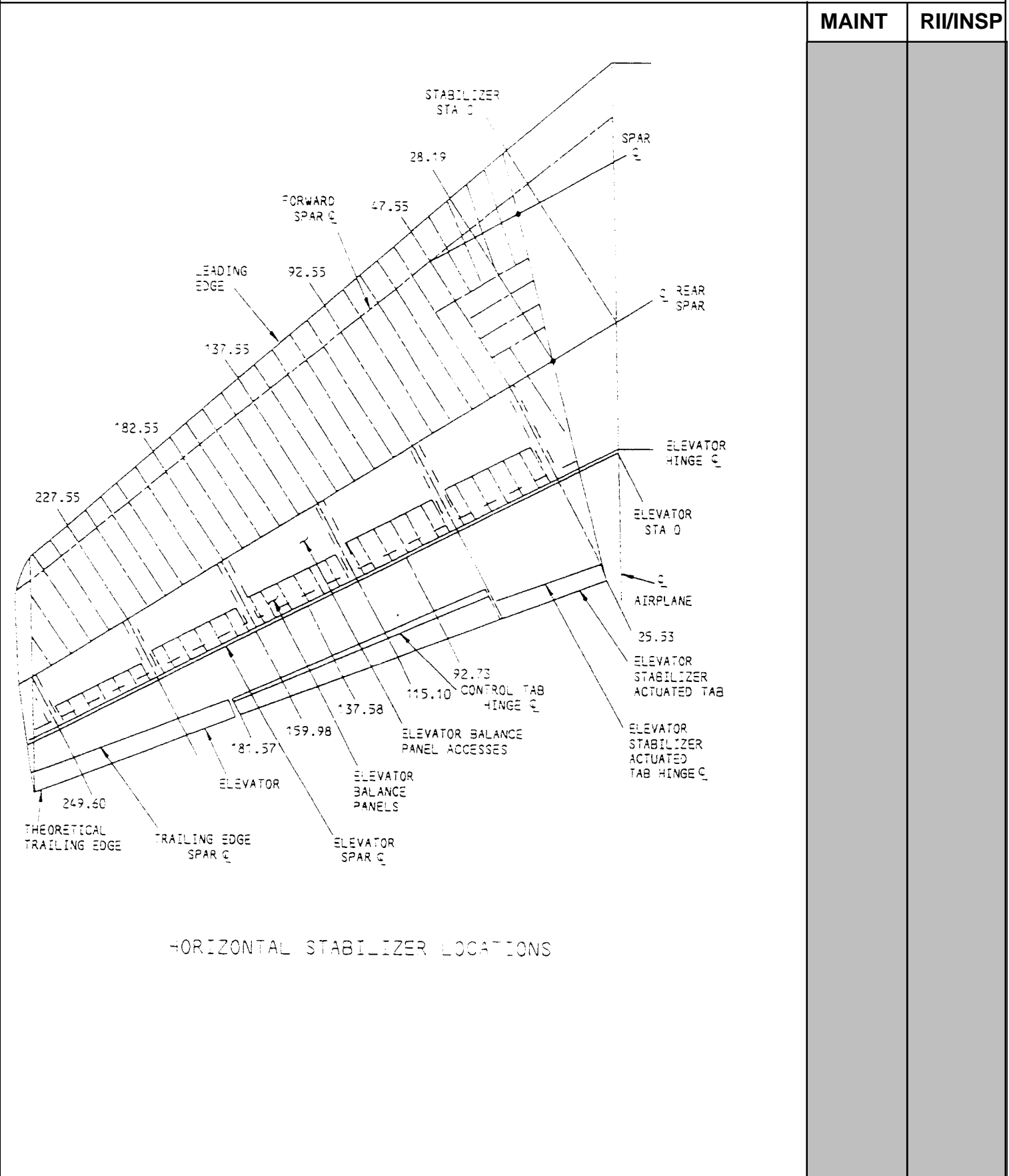
AD 90-25-07 rev 6788

RH HOR STAB EXT SURF INSP

| | | | | |
|------------------------------|--------------------------|------------------|--------------------------|---|
| sabena B707 | Module: HOR STAB + FL CT | A/C Reg : | Check : |  61F3000505 |
| | Oper. : RT-MP LC | Issuer : A43710 | Cert.St.: 24828 | |
| | Type : STRUCT-INSP | Spec. : MECHANIC | Release Date: 05.10.2001 | Page 4 of 4 |

AD 90-25-07 rev 6788

RH HOR STAB EXT SURF INSP



| MAINT | RII/INSP |
|-------|----------|
| | |

AD 90-25-07 rev 6788

RH HOR STAB EXT SURF INSP