



<b>sabena</b> <sup>®</sup> <b>B707</b>	Module: HOR STAB + FL CT	A/C Reg :	Check :	
	Oper. : RT-MP LC			
	Type : CLOSE	Issuer : A43710	Cert.St.: 24828	<b>61L2000503</b>
Spec. : GENERAL	Release Date: 26.10.2001		<b>Page 1 of 4</b>	

**CLOSE-RH LOWER STAB & ELEVATOR**

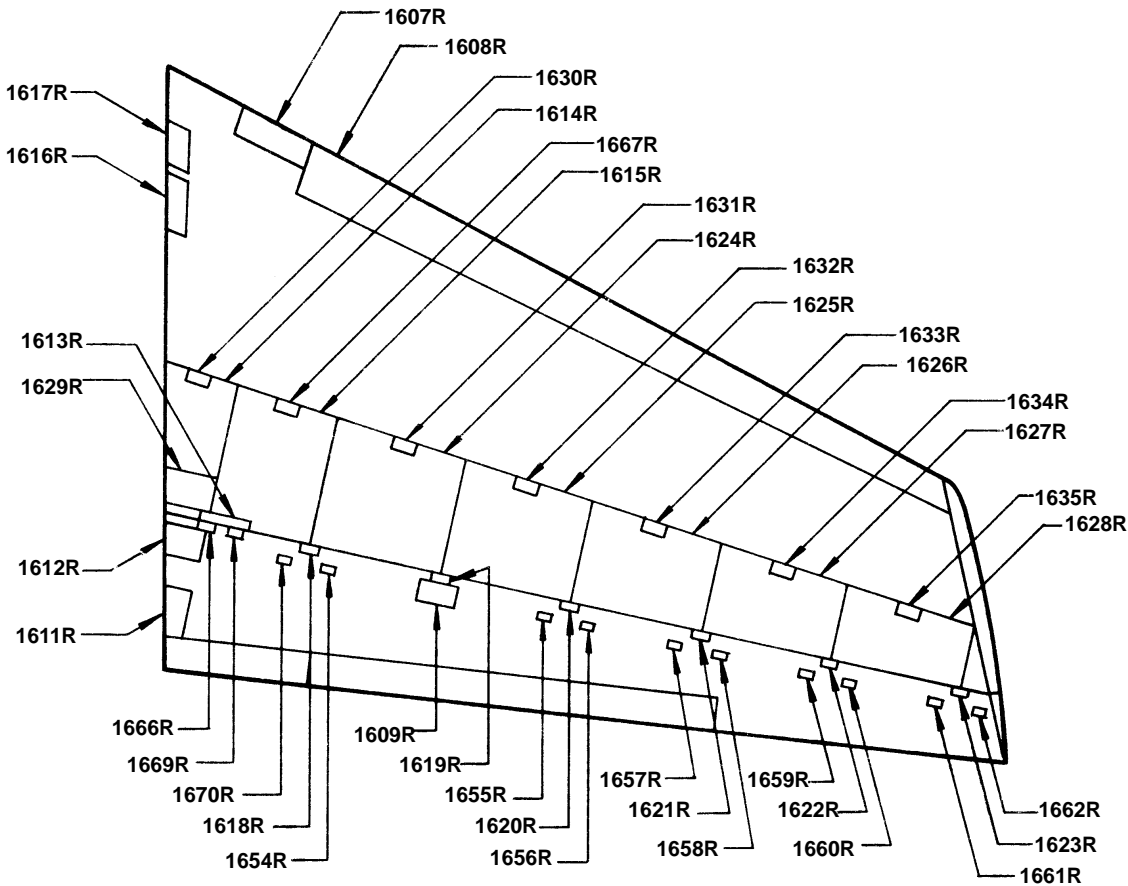
Execution / Start Date:	
End Date:	

MAINT	RII/INSP

<b>sabena</b> <b>B707</b>	Module: HOR STAB + FL CT	A/C Reg :	Check :	 <b>61L2000503</b> Page 2 of 4
	Oper. : RT-MP LC			
	Type : CLOSE	Issuer : A43710	Cert.St.: 24828	
	Spec. : GENERAL	Release Date: 26.10.2001		


**CLOSE-RH LOWER STAB & ELEVATOR**

					<b>MAINT</b>	<b>RII/INSP</b>
Nr.	Hardtime	Task	Spec.	Related Documents		
1.			GEN			
Check: C, C1						
Zones:						
Access:						



**RH LOWER STAB & ELEVATOR**

**CLOSE-RH LOWER STAB & ELEVATOR**

<b>sabena</b> B707	Module: HOR STAB + FL CT	A/C Reg :	Check :	 61L2000503 Page 3 of 4
	Oper. : RT-MP LC			
	Type : CLOSE	Issuer : A43710	Cert.St.: 24828	
	Spec. : GENERAL	Release Date: 26.10.2001		


**CLOSE-RH LOWER STAB & ELEVATOR**

MAINT RII/INSP

**IMPORTANT! Also close all access panels of the lower checks !!!**

A	B	C	C1	C2	S	S1	S2	DESCRIPTION	PANEL NO	OK TO CLOSE	CLOSE
			X					ELEVATOR ACCESS PANEL	1609R		
								ELEVATOR CTRL ROD FAIRING	1611R		
		X	X					ELEVATOR TRIM TAB CTRL ACCESS PANEL	1612R		
		X	X					ELEVATOR THRUST HINGE ACCESS PANEL	1613R		
			X					ELEVATOR TRIM TAB CTRL ACCESS PANEL	1614R		
								ELEVATOR BALANCE PANEL	1615R		
								STAB FRONT SPAR INBD ACCESS PANEL	1616R		
								STAB FRONT SPAR INBD ACCESS PANEL	1617R		
		X	X					ELEVATOR HINGE ACCESS PANEL	1618R		
		X	X					ELEVATOR HINGE ACCESS PANEL	1619R		
		X	X					ELEVATOR HINGE ACCESS PANEL	1620R		
		X	X					ELEVATOR HINGE ACCESS PANEL	1621R		
		X	X					ELEVATOR HINGE ACCESS PANEL	1622R		
		X	X					ELEVATOR HINGE ACCESS PANEL	1623R		
								ELEVATOR BALANCE PANEL	1624R		
		X						ELEVATOR BALANCE PANEL	1625R		
		X						ELEVATOR BALANCE PANEL	1626R		
		X						ELEVATOR BALANCE PANEL	1627R		
		X						ELEVATOR BALANCE PANEL	1628R		
			X					ELEVATOR TAB CTRL ACCESS PANEL	1629R		

**CLOSE-RH LOWER STAB & ELEVATOR**

<b>sabena</b> B707	Module : HOR STAB + FL CT	A/C Reg :	Check :	 61L2000503 Page 4 of 4
	Oper. : RT-MP LC			
	Type : CLOSE	Issuer : A43710	Cert.St.: 24828	
	Spec. : GENERAL	Release Date: 26.10.2001		

**CLOSE-RH LOWER STAB & ELEVATOR**

MAINT RII/INSP

**IMPORTANT! Also close all access panels of the lower checks !!!**

A	B	C	C1	C2	S	S1	S2	DESCRIPTION	PANEL NO	OK TO CLOSE	CLOSE
								INSPECTION PANEL	1630R		
			X					INSPECTION PANEL	1631R		
			X					INSPECTION PANEL	1632R		
			X					INSPECTION PANEL	1633R		
			X					INSPECTION PANEL	1634R		
			X					INSPECTION PANEL	1635R		
								INSPECTION PANEL	1654R		
								INSPECTION PANEL	1655R		
								INSPECTION PANEL	1656R		
								INSPECTION PANEL	1657R		
								INSPECTION PANEL	1658R		
								INSPECTION PANEL	1659R		
								INSPECTION PANEL	1660R		
								INSPECTION PANEL	1661R		
								INSPECTION PANEL	1662R		
		X	X					ELEVATOR HINGE ACCESS PANEL	1666R		
			X					INSPECTION PANEL	1667R		
								INSPECTION PANEL	1669R		
								INSPECTION PANEL	1670R		

**CLOSE-RH LOWER STAB & ELEVATOR**