



<b>sabena</b> <sup>®</sup> <b>B707</b>	Module: VERT STAB + FL C	A/C Reg :	Check :	 <b>71F2000503</b>
	Oper. : RT-MP LC			
	Type : MEC-INSP	Issuer : A45831	Cert.St.: 24828	<b>Page 1 of 3</b>
Spec. : MECHANIC	Release Date: 02.10.2001			

AD 83-24-03 rev 4774                      LOW RUDDER TAB CONT ROD INSP

		MAINT	RII/INSP
Execution / Start Date:			
End Date:			

AD 83-24-03 rev 4774                      LOW RUDDER TAB CONT ROD INSP

<b>sabena</b> <b>B707</b>	Module: VERT STAB + FL C	A/C Reg :	Check :	
	Oper. : RT-MP LC			
	Type : MEC-INSP	Issuer : A45831	Cert.St.: 24828	71F2000503
Spec. : MECHANIC	Release Date: 02.10.2001		Page 2 of 3	


AD 83-24-03 rev 4774      LOW RUDDER TAB CONT ROD INSP

					MAINT	RII/INSP
Nr.	Hardtime	Task	Spec.	Related Documents		
1.		E3	MEC	AD 83-24-03 rev 4774 MMS-328 272000 01600 rev 15/05/01 SB 27-3424 rev .		
<b>Check: C1</b>						
<b>Zones: 396</b>						
<b>Access: 1525R</b>						

**LOWER RUDDER TAB CONTROL ROD INSPECTION.**

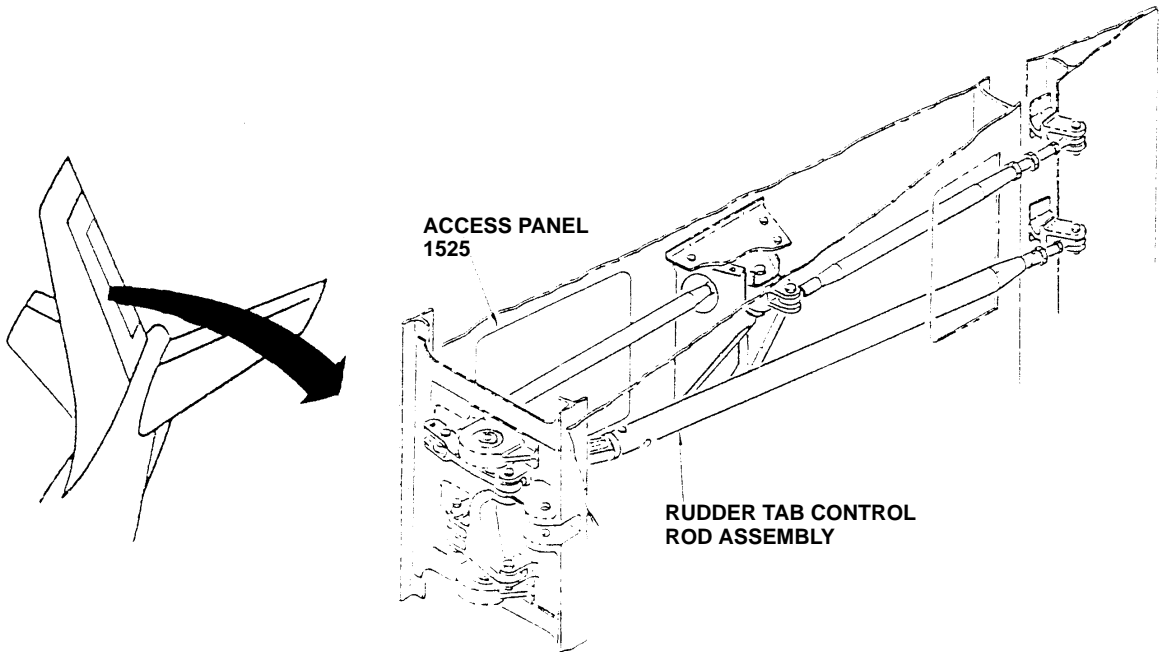
ref: AD-83-24-03, SB 3424.

1. Remove control rod assembly (PN 69-11191, 69-14346-2 OR 9-67646-3015, MM27-17-11).
2. Close visual inspection of the removed lower rudder tab control rod assembly for cracks and corrosion.
3. Reinstall rudder tab control rod assy.
4. Check rudder control rigging IAW MM 27-17-0 or 27-12-0 as applicable.
5. DOUBLE CHECK.

<b>sabena</b> B707	Module: VERT STAB + FL C	A/C Reg :	Check :	 71F2000503
	Oper. : RT-MP LC	Issuer : A45831	Cert.St.: 24828	
	Type : MEC-INSP	Release Date: 02.10.2001	Page 3 of 3	
Spec. : MECHANIC				

AD 83-24-03 rev 4774

LOW RUDDER TAB CONT ROD INSP

	MAINT	RII/INSP
 <p><b>NOTE: SERIES YAW DAMPER SYSTEM SHOWN. PARALLEL YAW DAMPER SYSTEM SIMILAR.</b></p>		