


sabena B707	Module: VERT STAB + FL C	A/C Reg :	Check :	
	Oper. : RT-MP LC			
	Type : *LUBE*	Issuer : A45831	Cert.St.: 24828	7110000500
Spec. : MECHANIC	Release Date: 02.10.2001		Page 1 of 7	


RUDDER LUB

Execution / Start Date:	
End Date:	

MAINT **RII/INSP**

Pos	Mat. Type	P/N	IDN	Description	Qty	Unit
1	FL & CH	BMS3-24		GREASE	0.00	
1	FL & CH	MIL-G-23827		GREASE	0.00	

RUDDER LUB

sabena B707	Module: VERT STAB + FL C	A/C Reg :	Check :	
	Oper. : RT-MP LC			
	Type : *LUBE*	Issuer : A45831	Cert.St.: 24828	71I0000500
	Spec. : MECHANIC	Release Date: 02.10.2001		Page 2 of 7

RUDDER LUB

					MAINT	RII/INSP
Nr.	Hardtime	Task	Spec.	Related Documents		
1.		S	MEC	MMS-328 272000 00900 rev 15/05/01		
Check: C1						
Zones: 111, 395, 396						
Access: 1115, 1514R						


RUDDER, TAB AND CONTROL SYSTEM LUBRICATION.

(Mark with 'X' at each lube location)

NOTE: Remove excess of grease & clean contamination areas in the immediate vicinity

Lubricate the rudder, tab and control system:

- Universal joint.
- Tension rod and bearings.
- Control rod bearings.
- Rudder hinges.
- Rudder thrust hinge.
- Rudder flutter damper.
- Rudder balance panels.

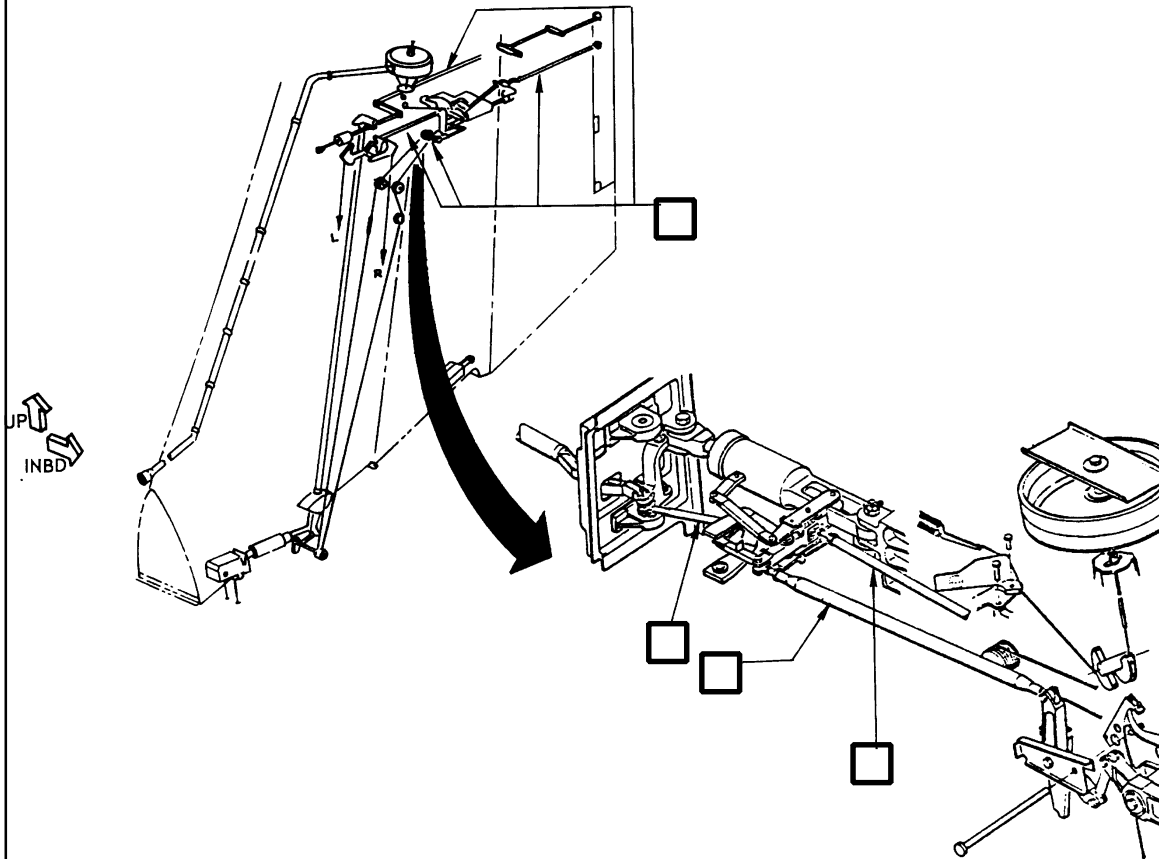
sabena B707	Module: VERT STAB + FL C	A/C Reg :	Check :	 7110000500
	Oper. : RT-MP LC	Issuer : A45831	Cert.St.: 24828	
	Type : *LUBE*	Release Date: 02.10.2001	Page 3 of 7	
Spec. : MECHANIC				


RUDDER LUB

MAINT RII/INSP

Rudder, tab and control system lubrication

lubricant MIL-G-23827 indicated if otherwise



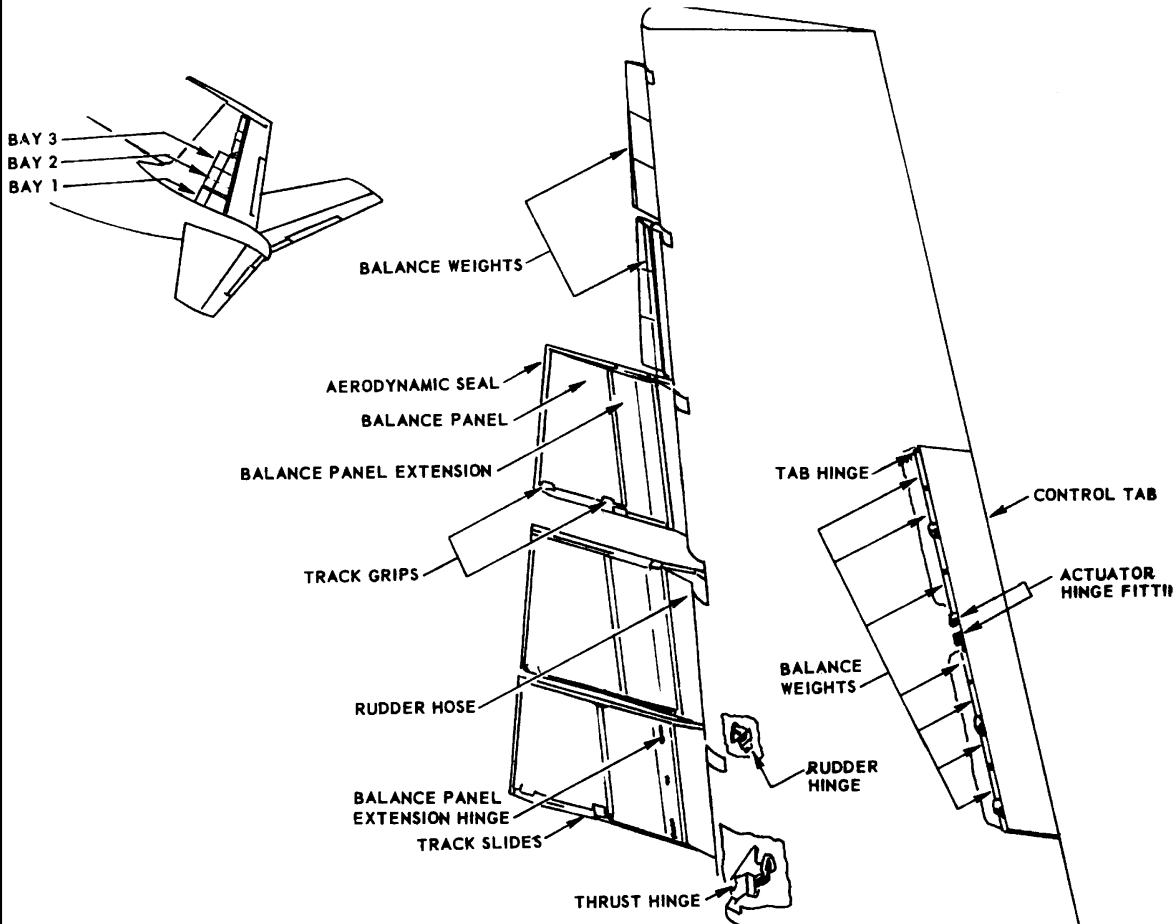
sabena B707	Module: VERT STAB + FL C	A/C Reg :	Check :	 7110000500
	Oper. : RT-MP LC			
	Type : *LUBE*	Issuer : A45831	Cert.St.: 24828	
Spec. : MECHANIC	Release Date: 02.10.2001			


RUDDER LUB

MAINT RII/INSP

Rudder , tab and control system lubrication

lubricant MIL-G-23827 indicated if otherwise

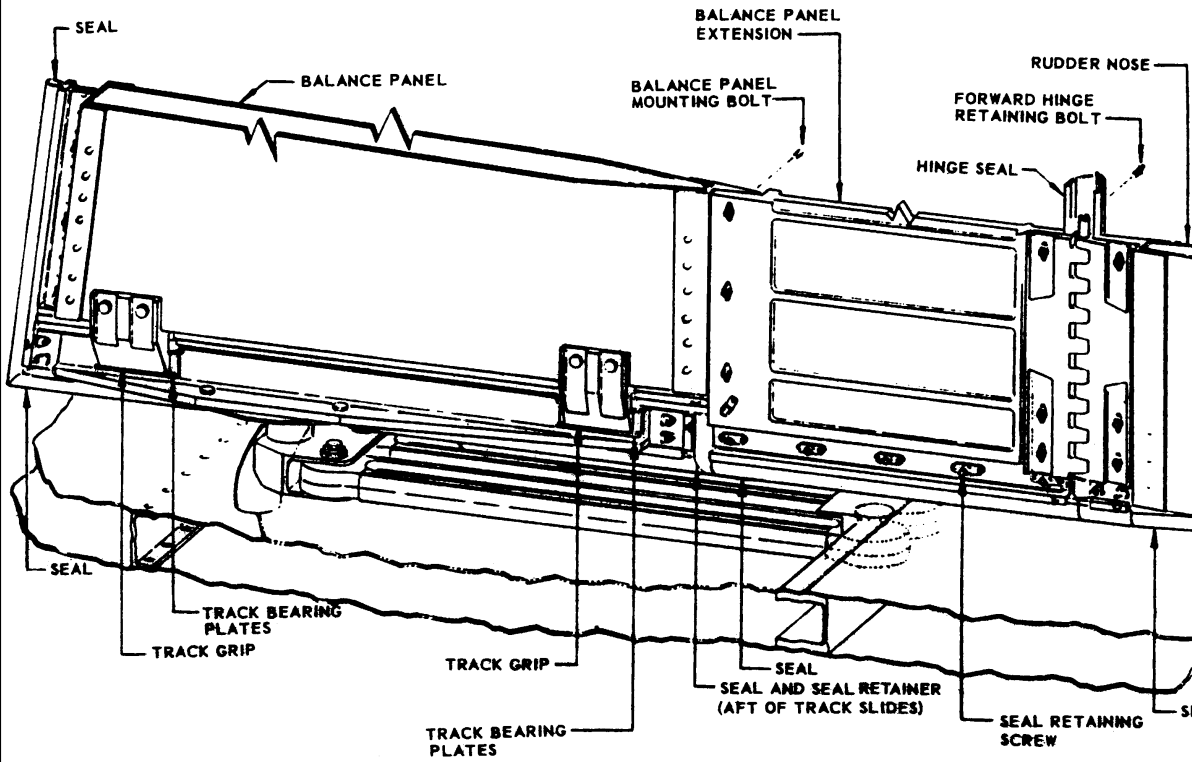


sabena B707	Module: VERT STAB + FL C	A/C Reg :	Check :	 7110000500
	Oper. : RT-MP LC	Issuer : A45831	Cert.St.: 24828	
	Type : *LUBE*	Release Date: 02.10.2001	Page 5 of 7	
Spec. : MECHANIC				

RUDDER LUB


MAINT RII/INSP

lubricant MIL-G-23827 indicated if otherwise



NOTE: LUBRICATE BALANCE PANEL HINGES, TRACK GRIPS, AND TRACK BEARING PLATES WITH BMS 3-24 GREASE. REMOVE FIN TRAILING EDGE PANELS ON RIGHT AND LEFT SIDE FOR ACCESS. LOOSEN FORWARD HINGE RETAINING BOLTS TO DISENGAGE HINGE SEAL FOR ACCESS TO HINGE. FOR ACCESS ON LEFT SIDE, REMOVE COMPONENTS PER 27-17-31 MAINTENANCE PRACTICES.

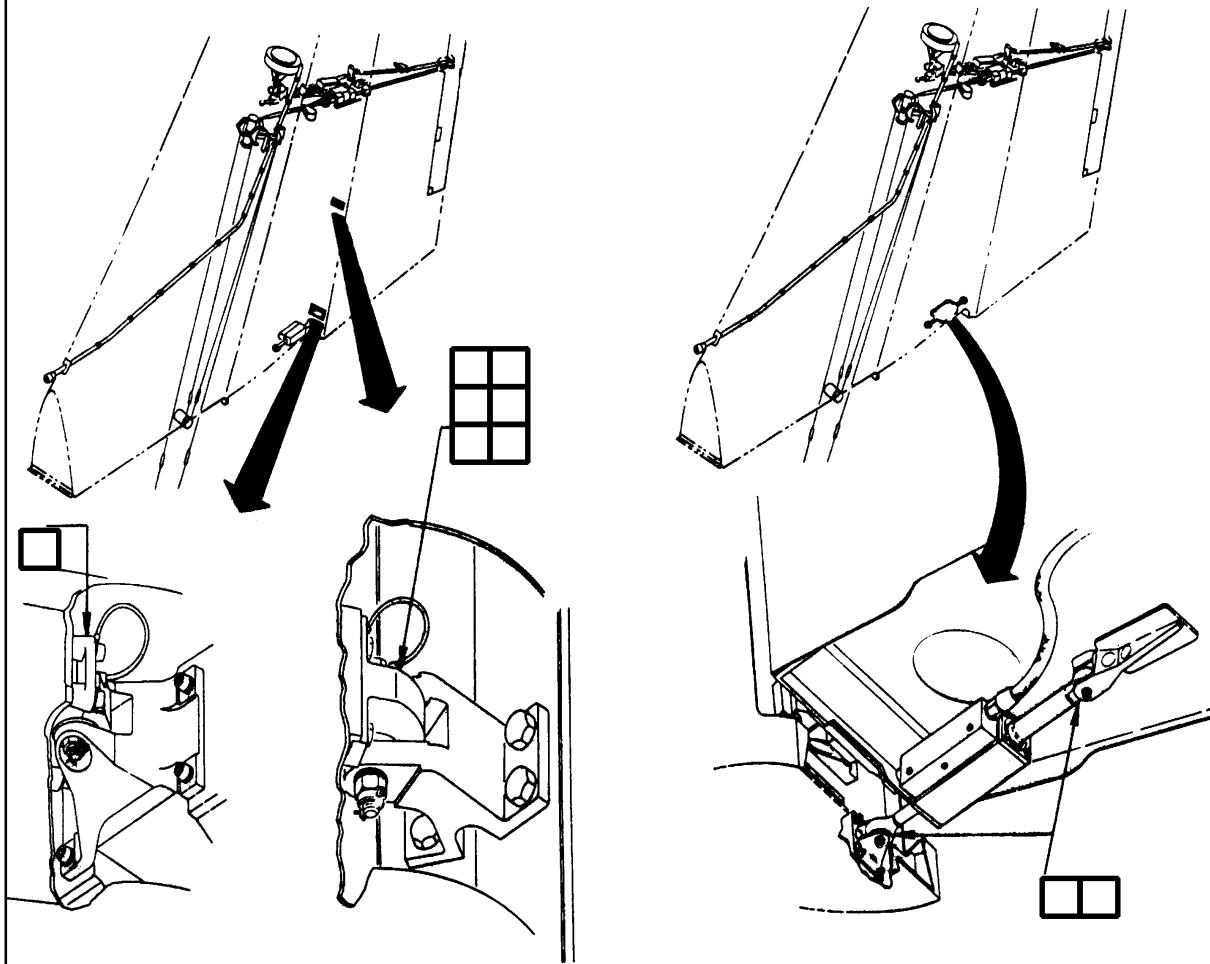
RUDDER LUB

sabena B707	Module: VERT STAB + FL C	A/C Reg :	Check :	 7110000500
	Oper. : RT-MP LC	Issuer : A45831	Cert.St.: 24828	
	Type : *LUBE*	Release Date: 02.10.2001	Page 6 of 7	
Spec. : MECHANIC				

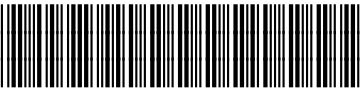
RUDDER LUB

MAINT RII/INSP

lubricant MIL-G-23827 indicated if otherwise



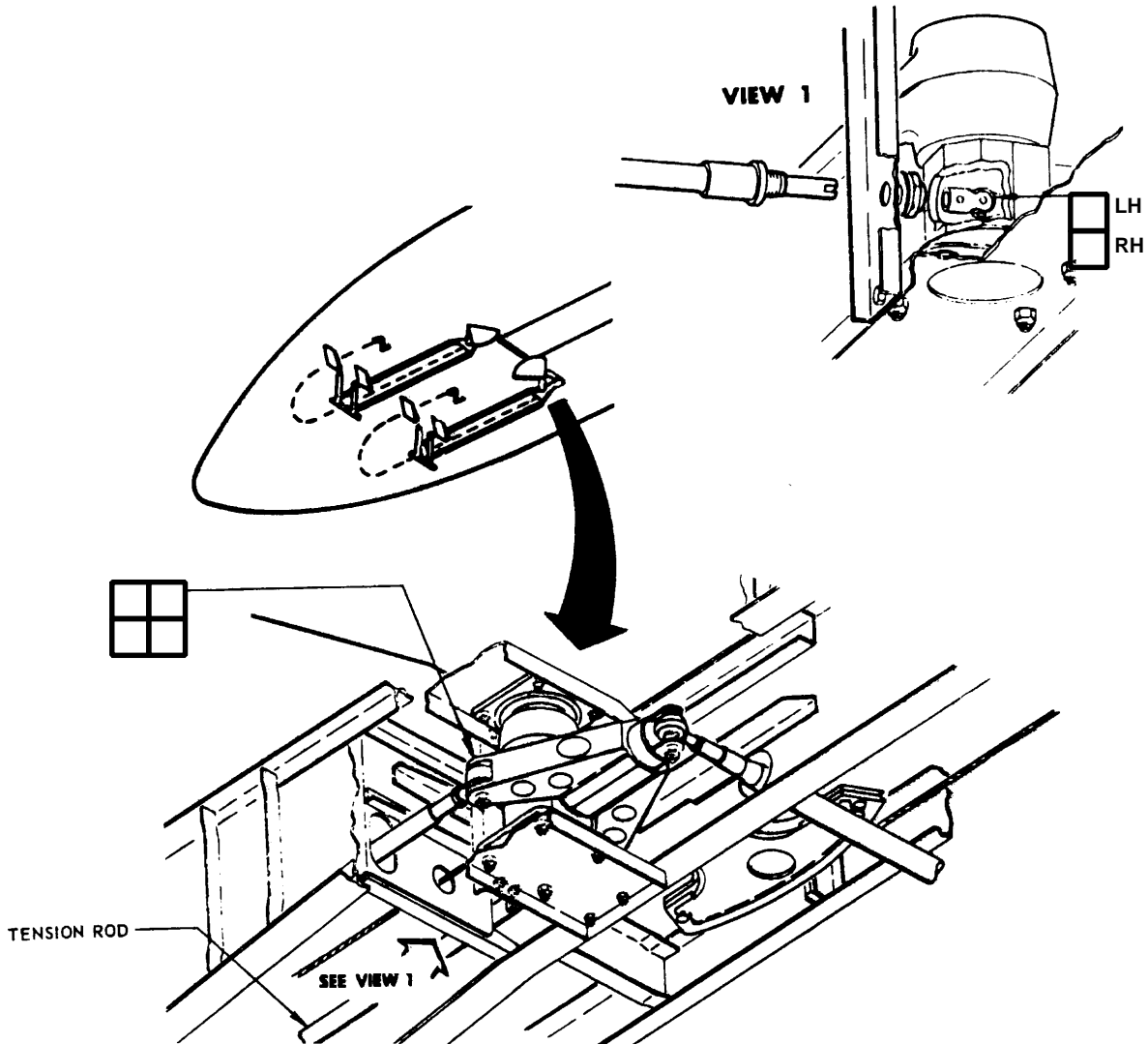
RUDDER LUB

sabena B707	Module: VERT STAB + FL C	A/C Reg :	Check :	 7110000500
	Oper. : RT-MP LC			
	Type : *LUBE*	Issuer : A45831	Cert.St.: 24828	Page 7 of 7
	Spec. : MECHANIC	Release Date: 02.10.2001		

RUDDER LUB

MAINT RII/INSP

lubricant MIL-G-23827 indicated if otherwise



RUDDER LUB