



sabena B707	Module: COCKPIT + WINDOW	A/C Reg :	Check :	
	Oper. : RT-MP LC			
	Type : *LUBE*	Issuer : A43710	Cert.St.: 24828	81I0000502
Spec. : MECHANIC	Release Date: 15.10.2001		Page 1 of 3	

LH & RH SLIDING WINDOW LUB

Execution / Start Date:	
End Date:	

MAINT **RII/INSP**

Pos	Mat. Type	P/N	IDN	Description	Qty	Unit
1	FL & CH	MIL-L-7870		AEROSHELL FLUID 3	0.00	
1	FL & CH	MIL-G-23827		MOBIL 28	0.00	

sabena B707	Module: COCKPIT + WINDOW	A/C Reg :	Check :	 81I0000502 Page 2 of 3
	Oper. : RT-MP LC	Issuer : A43710	Cert.St.: 24828	
	Type : *LUBE*	Release Date: 15.10.2001		
Spec. : MECHANIC				

LH & RH SLIDING WINDOW LUB


					MAINT	RII/INSP
Nr.	Hardtime	Task	Spec.	Related Documents		
1.		S	MEC	MMS-328 561010 02000 rev 15/05/01		
Check: C						
Zones: 221, 222						
Access:						

LH AND RH SLIDING WINDOWS LUBRICATION.

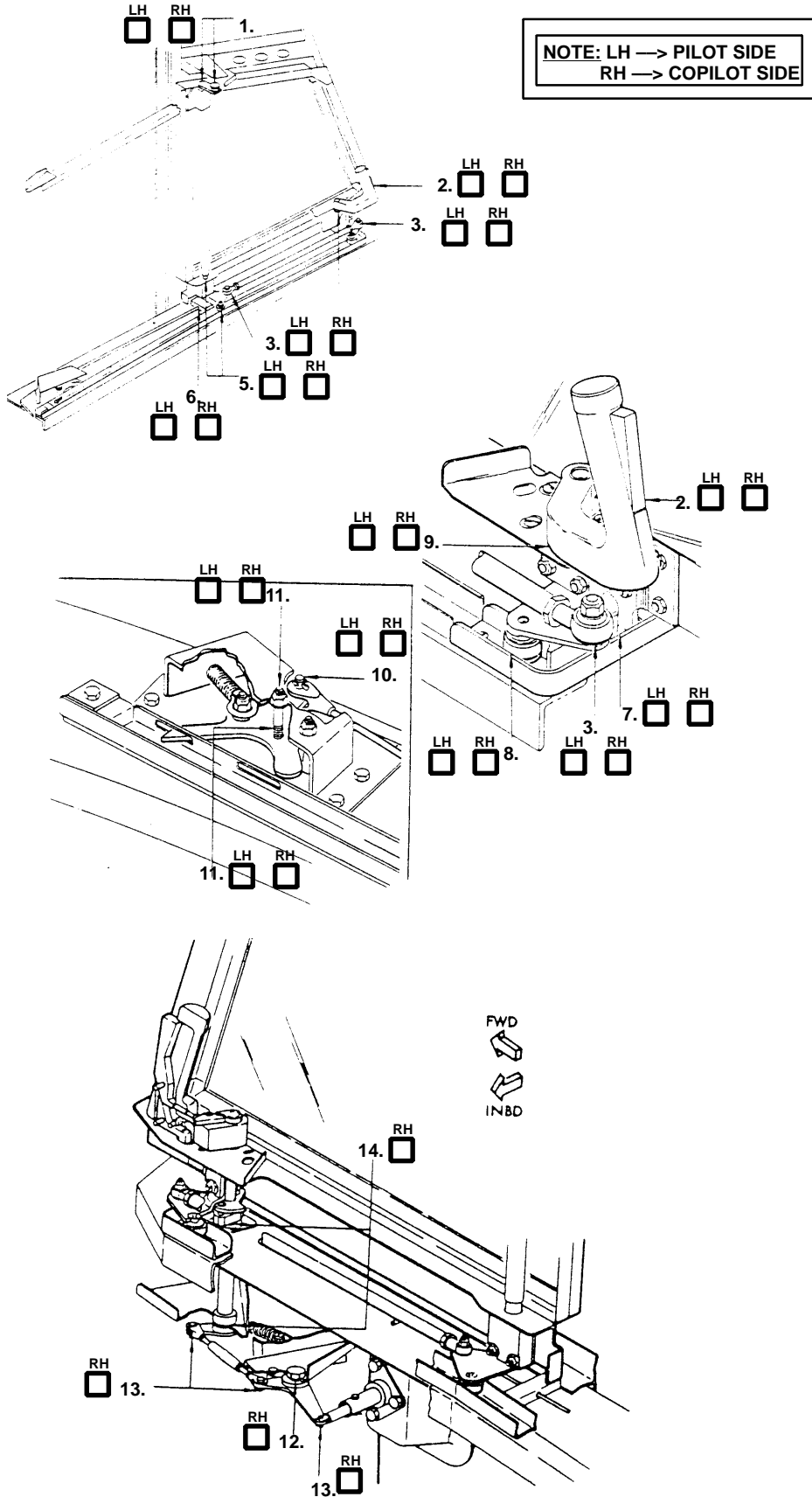
Lubricate the LH & RH sliding window.
(Mark with 'X' at each lube location).

NOTE: Remove excess of grease & clean contamination areas in the immediate vicinity.

INDEX N°	ITEM TO LUBRICATE	MATERIAL
1	UPPER BELLCRANK	AEROSHELL 3
2	TRIGGER	AEROSHELL 3
3	ROD END BEARING	MOBIL 28
4	HANDLE SHAFT	AEROSHELL 3
5	LOW. AFT. BELLCRANK	AEROSHELL 3
6	LATCH MECH. ROD	AEROSHELL 3
7	GUIDE PIN/TRACK	AEROSHELL 3
8	LOWER FWD. GLIDE	AEROSHELL 3
9	TRIGGER BOLT	AEROSHELL 3
10	LATCH MECH. BOLT	AEROSHELL 3
11	LATCH PLATE PIN	AEROSHELL 3
12	BUSHING	AEROSHELL 3
13	PIVOT PINS	AEROSHELL 3
14	BEARINGS	AEROSHELL 3

sabena B707	Module: COCKPIT + WINDOW	A/C Reg :	Check :	 81I0000502
	Oper. : RT-MP LC	Issuer : A43710	Cert.St.: 24828	
	Type : *LUBE*	Release Date: 15.10.2001	Page 3 of 3	

LH & RH SLIDING WINDOW LUB



MAINT	RII/INSP

LH & RH SLIDING WINDOW LUB