


sabena [®] B707	Module: CABIN + WINDOWS	A/C Reg :	Check :	
	Oper. : RT-MP LC			
	Type : * ZONAL INSP*	Issuer : A59513	Cert.St.: 45379	91E0000502
Spec. : MECHANIC	Release Date: 13.11.2007		Page 1 of 3	


AD 90-25-07 rev 6788

MAIN DECK SEAT TRACK INSP

		MAINT	RII/INSP
Execution / Start Date:			
End Date:			

AD 90-25-07 rev 6788

MAIN DECK SEAT TRACK INSP

sabena B707	Module: CABIN + WINDOWS	A/C Reg :	Check :	 91E0000502 Page 2 of 3
	Oper. : RT-MP LC	Issuer : A59513	Cert.St.: 45379	
	Type : * ZONAL INSP*	Release Date: 13.11.2007		
Spec. : MECHANIC				

AD 90-25-07 rev 6788 MAIN DECK SEAT TRACK INSP

					MAINT	RII/INSP	
Nr.	Hardtime	Task	Spec.	Related Documents			
1.		BT1	MEC	AD 90-25-07 rev 6788 CPCP C53-226-04 PART 1/1 rev E MMS-328 532200 04000 rev 15/05/01			
Check: C2							
Zones: 226							
Access: 1107 L							
NRC YES <input type="radio"/> NO <input type="radio"/>		IF YES, NUMBER(S):					

MAIN DECK SEAT TRACKS BS 304 TO 1440 INSPECTION.

1. Remove covers from seat tracks.

NOTE: IT IS NOT NECESSARY TO REMOVE SEATS, LAVATORIES & GALLEYS

2. Perform cleaning of main deck seat tracks at BS 304 to BS 1440.

3. Perform inspection of main deck seat tracks at BS 304 to BS 1440.


CORROSION INSPECTION SUMMARY.

DESCRIPTION:	HIGHEST CORROSION LEVEL.				DR Nr.
	NO	1	2	3	
- Main deck seat tracks BS 304 to BS 1440.					

4. Clear any blocked holes or gaps that may hinder drainage.

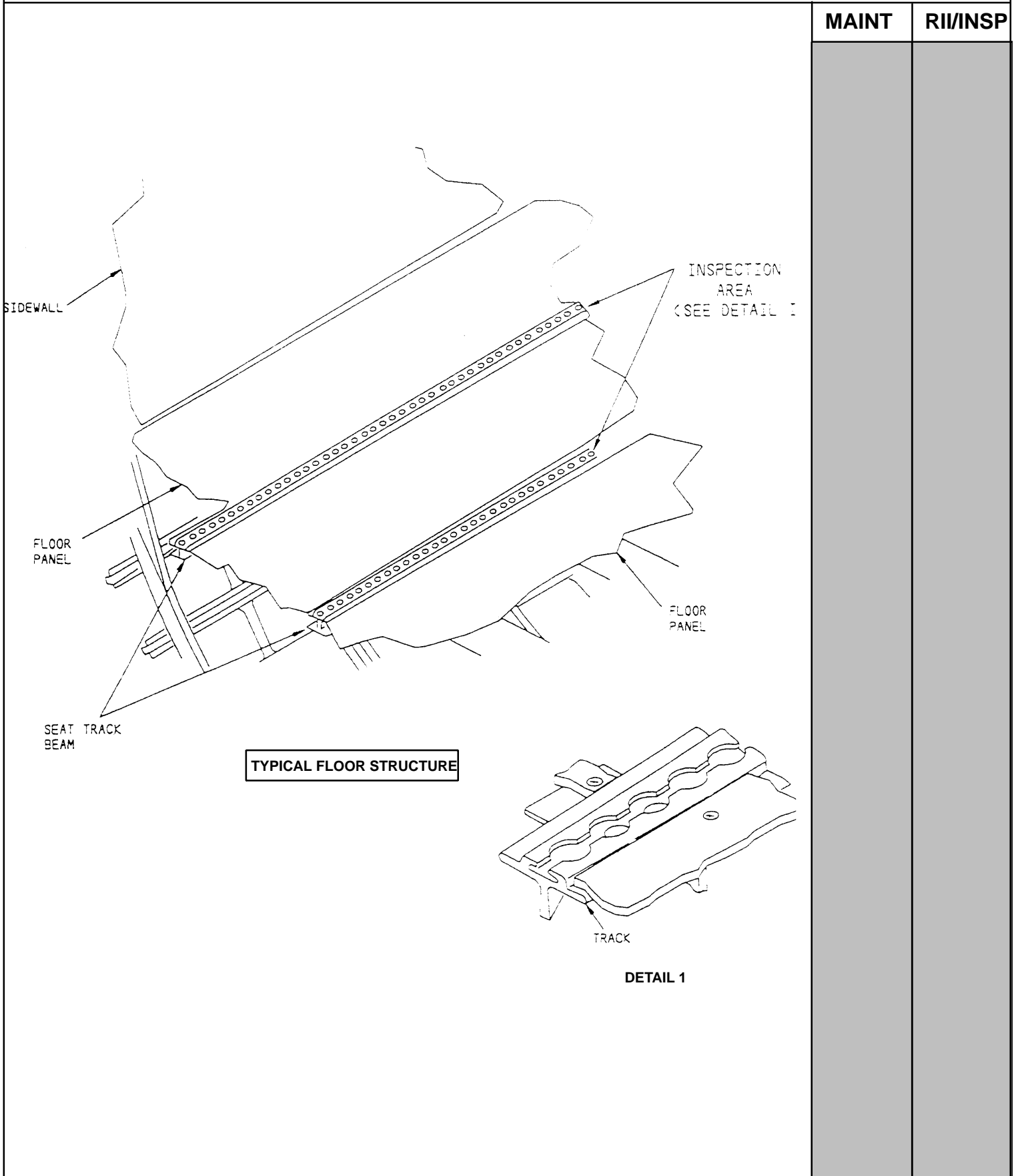
5. Apply DINITROL protection on main deck seat tracks BS 304 to BS 1440.

6. Install covers on seat tracks.

sabena B707	Module: CABIN + WINDOWS	A/C Reg :	Check :	 91E0000502
	Oper. : RT-MP LC	Issuer : A59513	Cert.St.: 45379	
	Type : * ZONAL INSP*	Release Date: 13.11.2007	Page 3 of 3	
Spec. : MECHANIC				

AD 90-25-07 rev 6788

MAIN DECK SEAT TRACK INSP



AD 90-25-07 rev 6788

MAIN DECK SEAT TRACK INSP