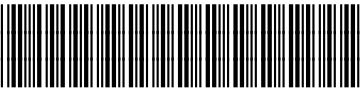


sabena [®] B707	Module: CABIN + WINDOWS	A/C Reg :	Check :	
	Oper. : RT-MP LC			
	Type : SERVICING	Issuer : A59513	Cert.St.: 45379	91H1000001
Spec. : CABIN	Release Date: 11.09.2008		Page 1 of 5	


AFT GALLEY AIR CHILLER AIR FILTER REPLACEMENT

			MAINT	RII/INSP
Execution / Start Date:				
End Date:				

Pos	Mat. Type	P/N	IDN	Description	Qty	Unit
1	CONSUM	3448-3		FILTER	1.00	EA

--	--	--	--	--	--	--

AFT GALLEY AIR CHILLER AIR FILTER REPLACEMENT


sabena B707	Module: CABIN + WINDOWS	A/C Reg :	Check :	 91H1000001 Page 2 of 5
	Oper. : RT-MP LC			
	Type : SERVICING	Issuer : A59513	Cert.St.: 45379	
	Spec. : CABIN	Release Date: 11.09.2008		

AFT GALLEY AIR CHILLER AIR FILTER REPLACEMENT

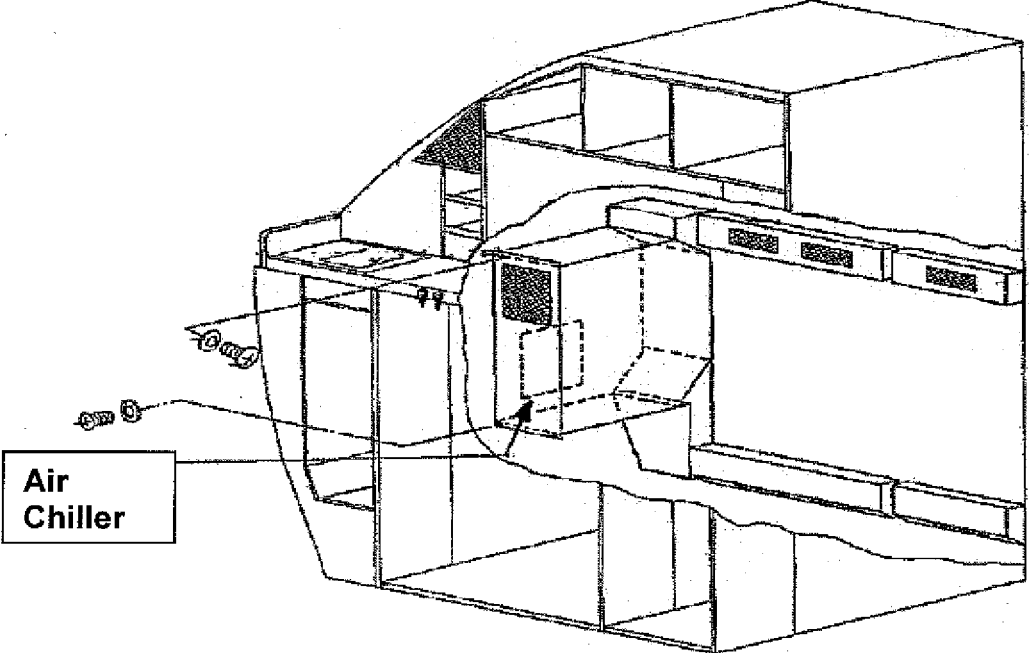
					MAINT	RII/INSP	
Nr.	Hardtime	Task	Spec.	Related Documents			
1.		S	CAB	MMS-328 253006 00100 rev 07/08/07			
Check: C							
Zones:							
Access:							
NRC YES <input type="radio"/> NO <input type="radio"/>		IF YES, NUMBER(S):					


PERFORM AIR FILTER REPLACEMENT ON AIR CHILLER AT AFT GALLEY 4.

1. Open associated air chiller CB at galley 4 CB panel to remove electrical power from refrigeration unit.
2. Gain access to the air chiller. Refer to figure 1 & 2.
3. Gain access to the air filter. Refer to figure 3.
4. Remove air filter element PN: 3448-3 & discard.
5. Install new clean air filter element.
6. Reassemble air chiller as necessary.
7. Close-up work area as necessary.
8. Close associated air chiller CB at galley 4 CB panel.
9. Perform functional check of refrigeration unit & verify proper function. Set air chiller switch to "ON" position & check if it is operative & the fault indicator does not illuminate.

sabena B707	Module: CABIN + WINDOWS	A/C Reg :	Check :	 91H1000001
	Oper. : RT-MP LC			
	Type : SERVICING	Issuer : A59513	Cert.St.: 45379	
Spec. : CABIN	Release Date: 11.09.2008			

AFT GALLEY AIR CHILLER AIR FILTER REPLACEMENT

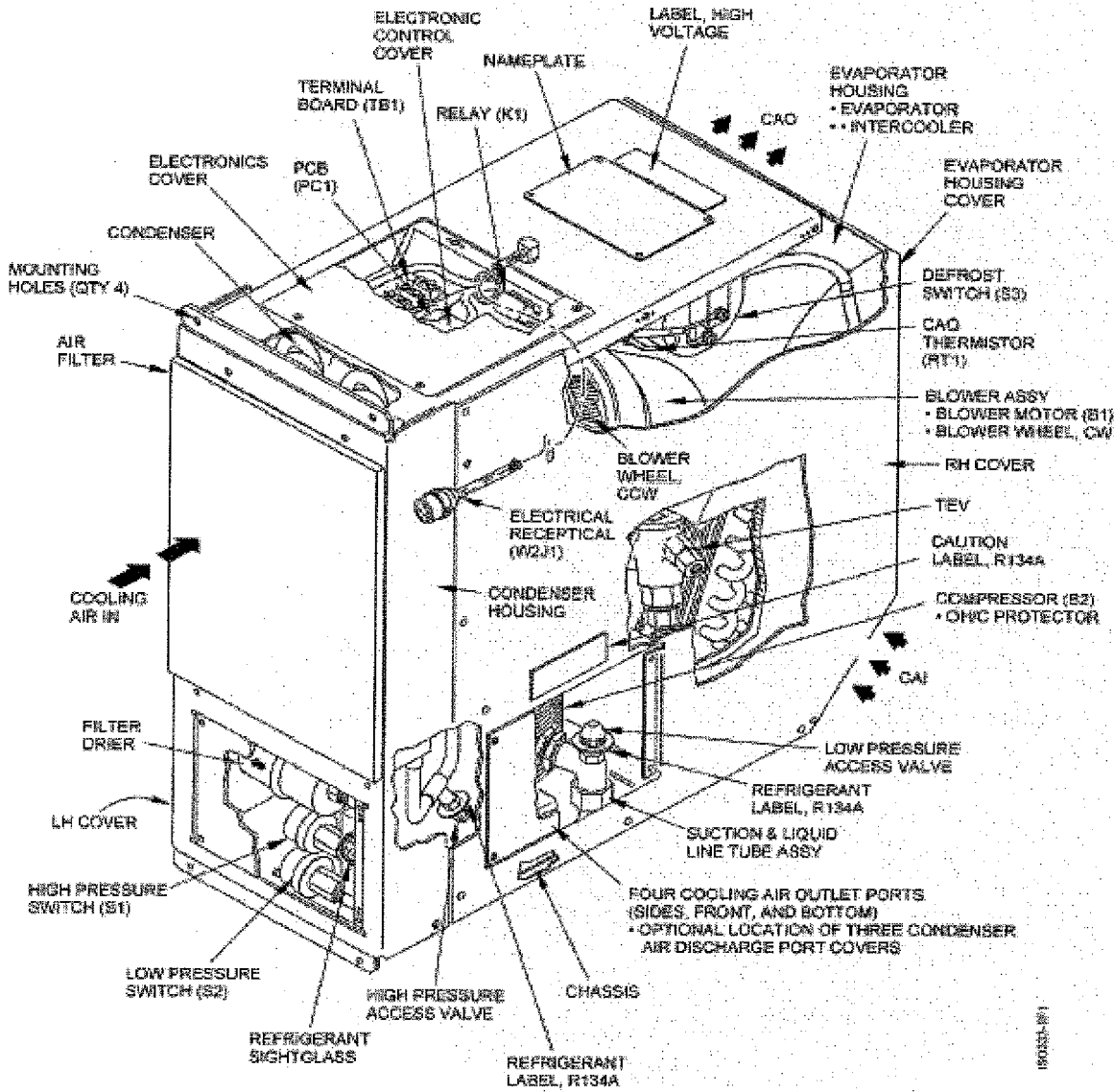
	MAINT	RII/INSP
 <p style="text-align: center;">Figure1: <u>Galley 4 - Air Chiller location</u></p>		

sabena B707	Module: CABIN + WINDOWS	A/C Reg :	Check :	 91H1000001 Page 4 of 5
	Oper. : RT-MP LC	Issuer : A59513	Cert.St.: 45379	
	Type : SERVICING	Release Date: 11.09.2008		
Spec. : CABIN				


AFT GALLEY AIR CHILLER AIR FILTER REPLACEMENT

MAINT RII/INSP

Figure 2



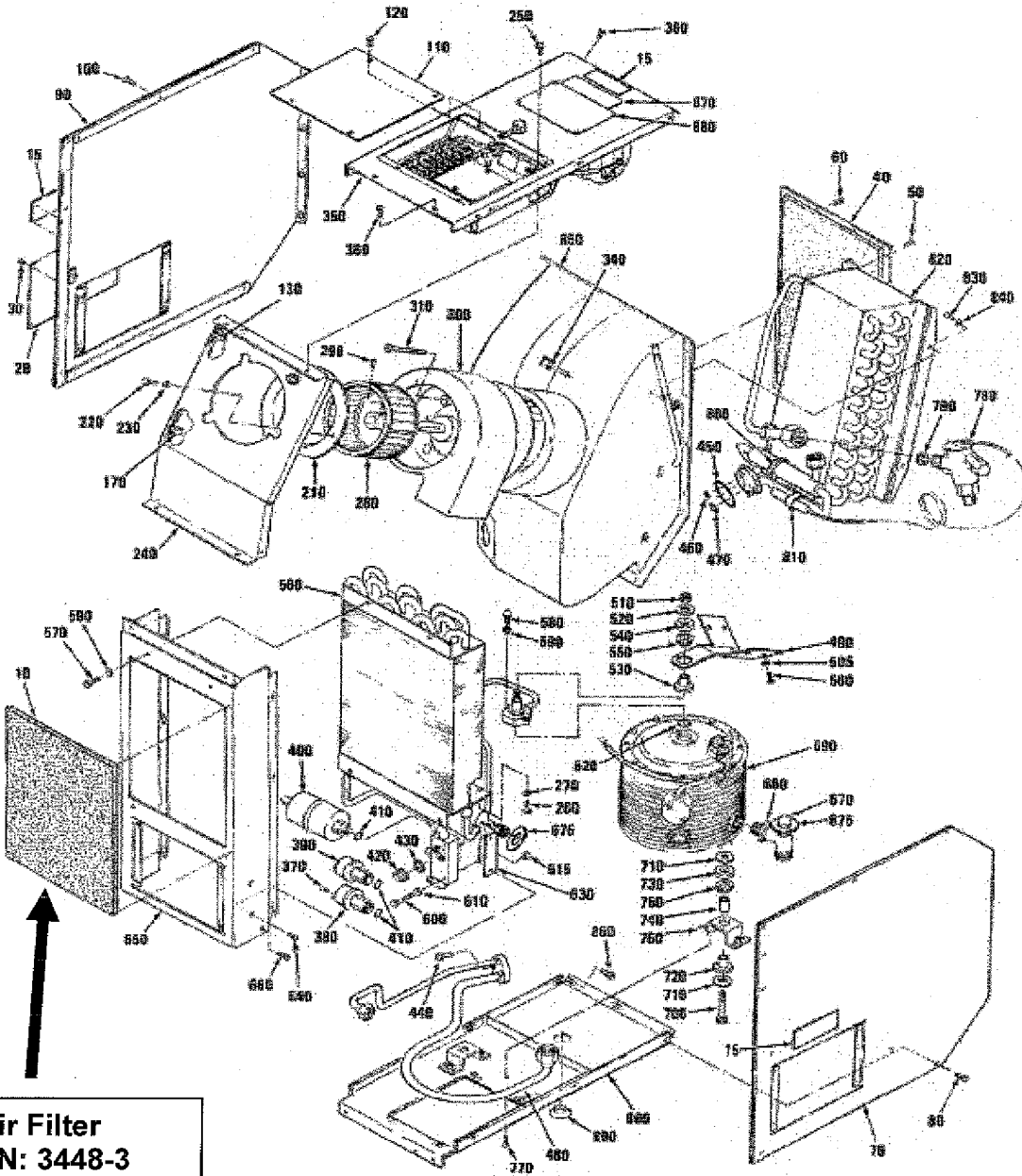
Air Chiller PN: 333-501

sabena B707	Module: CABIN + WINDOWS	A/C Reg :	Check :	 91H1000001
	Oper. : RT-MP LC	Issuer : A59513	Cert.St.: 45379	
	Type : SERVICING	Release Date: 11.09.2008	Page 5 of 5	

AFT GALLEY AIR CHILLER AIR FILTER REPLACEMENT

MAINT RII/INSP

FIGURE 3



**Air Filter
PN: 3448-3**

Air Filter Location (Air Chiller)