


<b>sabena</b> <b>B707</b>	Module: CABIN DOORS	A/C Reg :	Check :	
	Oper. : RT-MP LC	Issuer : A43710	Cert.St.: 46928	
	Type : *LUBE*	Release Date: 24.07.2003	<b>Page 1 of 4</b>	
Spec. : MECHANIC				


**FWD PASS DOOR LUB**

Execution / Start Date:	
End Date:	

**MAINT**      **RII/INSP**

Pos	Mat. Type	P/N	IDN	Description	Qty	Unit
1	FL & CH	MIL-G-23827	896278	BMS3-33	1.00	

**FWD PASS DOOR LUB**

<b>sabena</b> <b>B707</b>	Module: CABIN DOORS	A/C Reg :	Check :	
	Oper. : RT-MP LC			
	Type : *LUBE*	Issuer : A43710	Cert.St.: 46928	<b>C110000500</b>
	Spec. : MECHANIC	Release Date: 24.07.2003		<b>Page 2 of 4</b>

**FWD PASS DOOR LUB**


					<b>MAINT</b>	<b>RII/INSP</b>
<b>Nr.</b>	<b>Hardtime</b>	<b>Task</b>	<b>Spec.</b>	<b>Related Documents</b>		
<b>1.</b>		<b>S</b>	<b>MEC</b>	<b>MMS-328 521010 02000 rev 15/05/01</b>		
<b>Check: C</b>						
<b>Zones: 242</b>						
<b>Access:</b>						

**FORWARD PASSENGER DOOR LUBRICATION.**

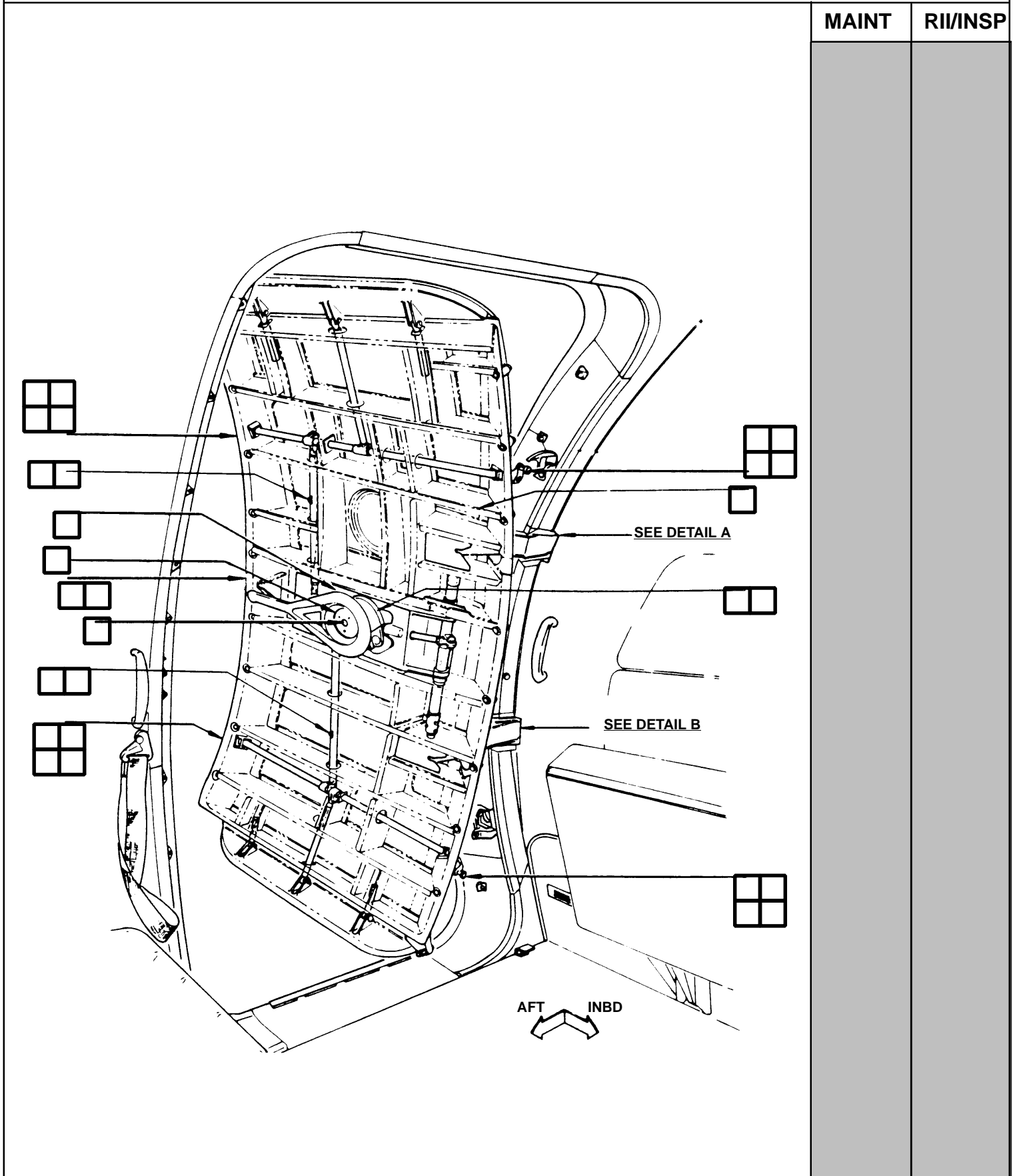
(Mark with 'X' at each lube location)

Lubricate FWD PAX entry door I.A.W Fig.

NOTE: Remove excess of grease & clean contamination areas in the immediate vicinity

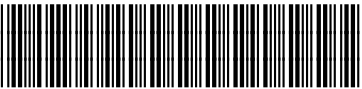
<b>sabena</b> B707	Module: CABIN DOORS	A/C Reg :	Check :	 <b>C110000500</b>
	Oper. : RT-MP LC	Issuer : A43710	Cert.St.: 46928	
	Type : *LUBE*	Release Date: 24.07.2003	<b>Page 3 of 4</b>	
Spec. : MECHANIC				

**FWD PASS DOOR LUB**



**MAINT**      **RII/INSP**

**FWD PASS DOOR LUB**

<b>sabena</b> B707	Module: CABIN DOORS	A/C Reg :	Check :	
	Oper. : RT-MP LC			
	Type : *LUBE*	Issuer : A43710	Cert.St.: 46928	C110000500
	Spec. : MECHANIC	Release Date: 24.07.2003		Page 4 of 4

FWD PASS DOOR LUB

MAINT	RII/INSP

