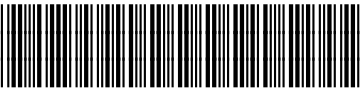



sabena B707	Module: CABIN DOORS	A/C Reg :	Check :	
	Oper. : RT-MP LC	Issuer : A43710	Cert.St.: 46928	
	Type : *LUBE*	Release Date: 24.07.2003	Page 1 of 4	
Spec. : MECHANIC				

AFT PASS DOOR LUB

Execution / Start Date:	
End Date:	

MAINT **RII/INSP**

Pos	Mat. Type	P/N	IDN	Description	Qty	Unit
1	FL & CH	MIL-G-23827	896278	BMS3-33	1.00	

sabena B707	Module: CABIN DOORS	A/C Reg :	Check :	
	Oper. : RT-MP LC	Issuer : A43710	Cert.St.: 46928	
	Type : *LUBE*	Release Date: 24.07.2003	Page 2 of 4	
Spec. : MECHANIC				

AFT PASS DOOR LUB

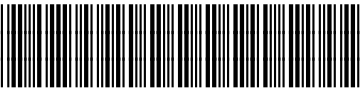
					MAINT	RII/INSP
Nr.	Hardtime	Task	Spec.	Related Documents		
1.		S	MEC	MMS-328 521010 03000 rev 15/05/01		
Check: C						
Zones: 248						
Access:						

AFT PASSENGER DOOR LUBRICATION.

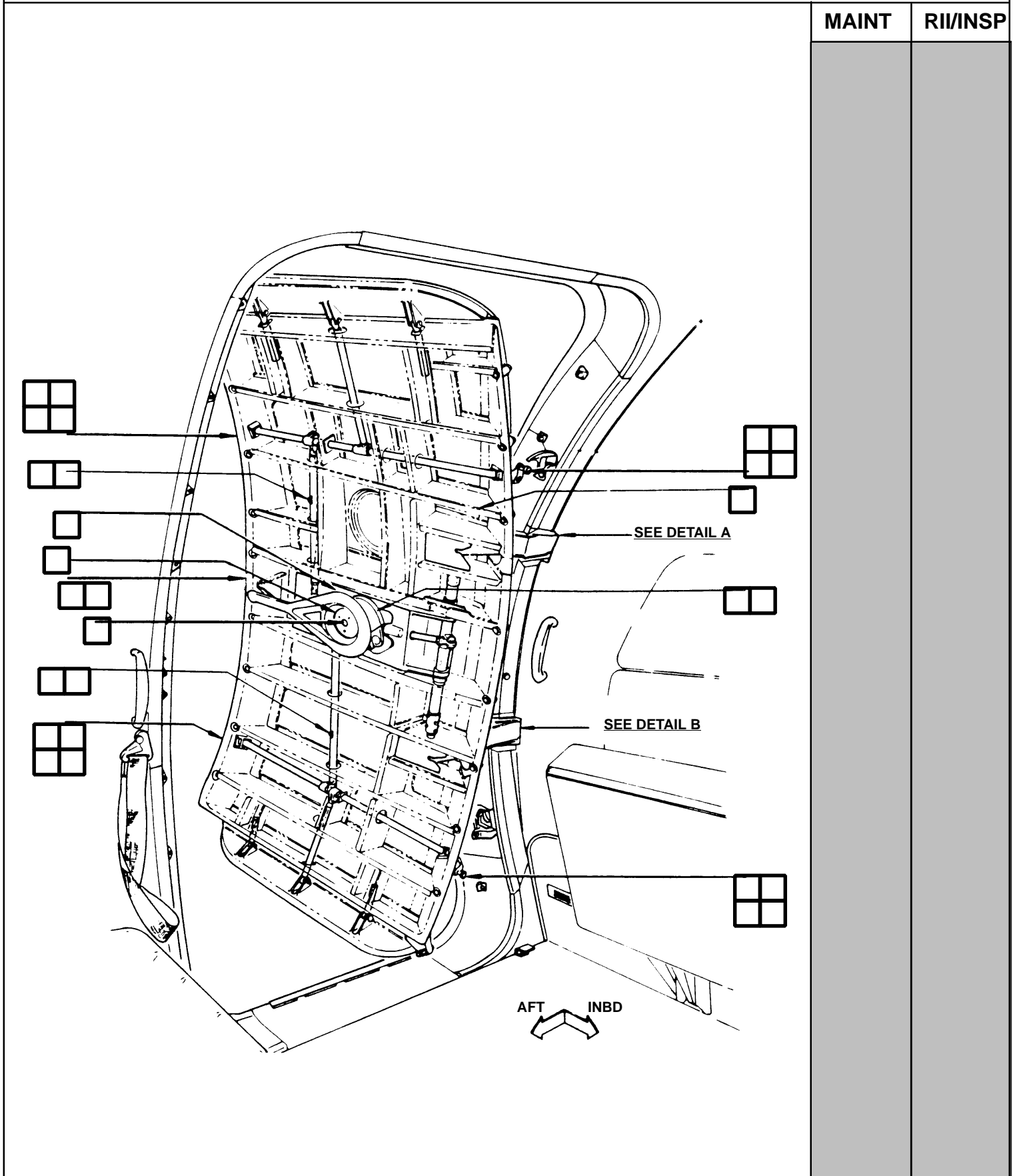
(Mark with 'X' at each lube location)

Lubricate AFT PAX entry door I.A.W Fig.

NOTE: Remove excess of grease & clean contamination areas in the immediate vicinity


sabena B707	Module: CABIN DOORS	A/C Reg :	Check :	 C110000501
	Oper. : RT-MP LC	Issuer : A43710	Cert.St.: 46928	
	Type : *LUBE*	Release Date: 24.07.2003	Page 3 of 4	
Spec. : MECHANIC				

AFT PASS DOOR LUB



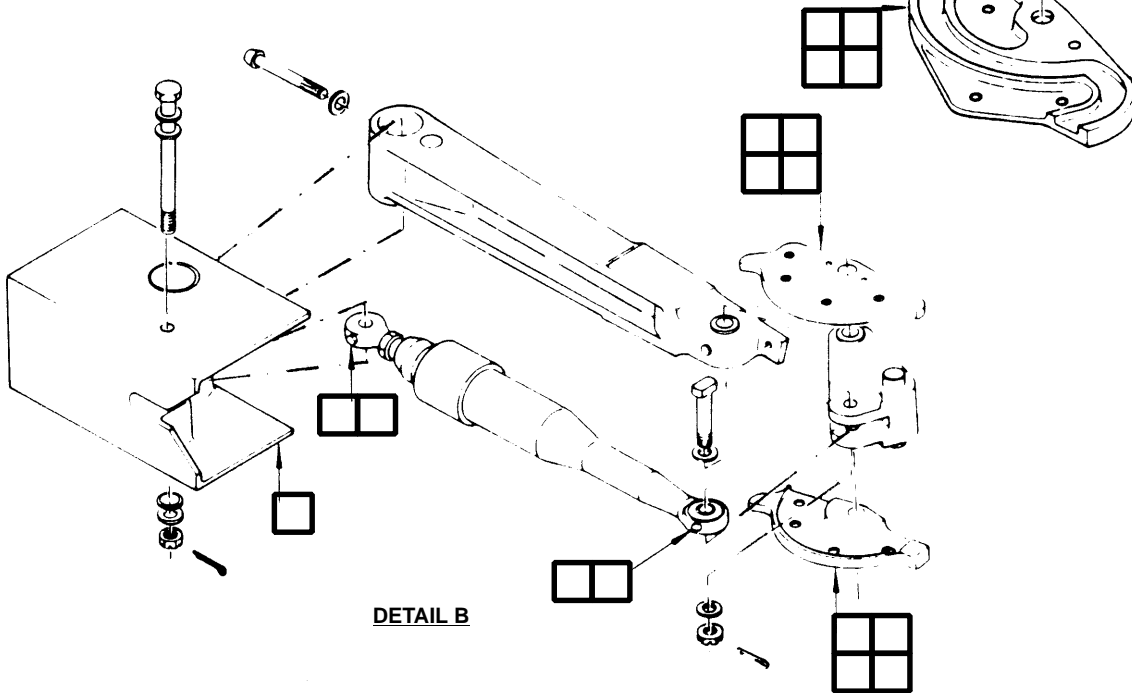
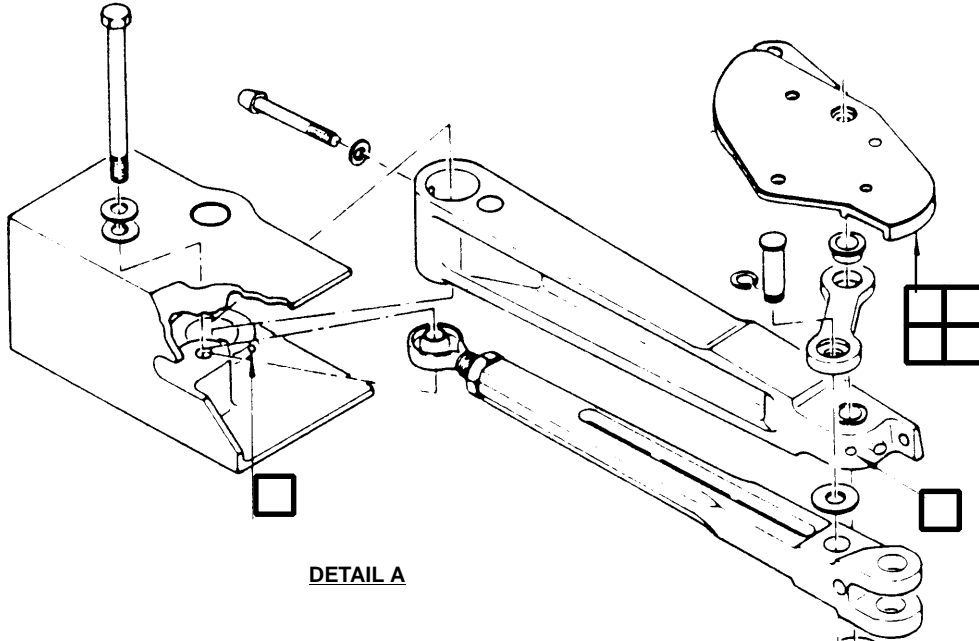
MAINT	RII/INSP

AFT PASS DOOR LUB

sabena B707	Module: CABIN DOORS	A/C Reg :	Check :	 C110000501
	Oper. : RT-MP LC			
	Type : *LUBE*	Issuer : A43710	Cert.St.: 46928	Page 4 of 4
	Spec. : MECHANIC	Release Date: 24.07.2003		

AFT PASS DOOR LUB

MAINT	RII/INSP



AFT PASS DOOR LUB