



sabena B707	Module: NLG WW + DOORS	A/C Reg :	Check :	
	Oper. : RT-MP LC			
	Type : *LUBE*	Issuer : A59513	Cert.St.: 45379	G110000501
Spec. : MECHANIC	Release Date: 13.11.2007		Page 1 of 7	

NLG LUB

Execution / Start Date:	
End Date:	

MAINT **RII/INSP**

Pos	Mat. Type	P/N	IDN	Description	Qty	Unit
1	FL & CH	MIL-G-21164	896274	BMS 3-33	0.00	
1	FL & CH	MIL-L-7870		INSTRUMENT OIL	0.00	
1	FL & CH	MIL-H-5606		UNIVIS J13	0.00	

sabena B707	Module: NLG WW + DOORS	A/C Reg :	Check :	
	Oper. : RT-MP LC			
	Type : *LUBE*	Issuer : A59513	Cert.St.: 45379	G110000501
	Spec. : MECHANIC	Release Date: 13.11.2007		Page 2 of 7

NLG LUB


					MAINT	RII/INSP	
Nr.	Hardtime	Task	Spec.	Related Documents			
1.		S	MEC	MMS-328 322004 00100 rev 15/05/01			
Check: C							
Zones: 131							
Access:							
NRC YES <input type="radio"/> NO <input type="radio"/>		IF YES, NUMBER(S):					

LUBRICATE NOSE LANDING GEAR.

(Mark with 'X' at each lube location)

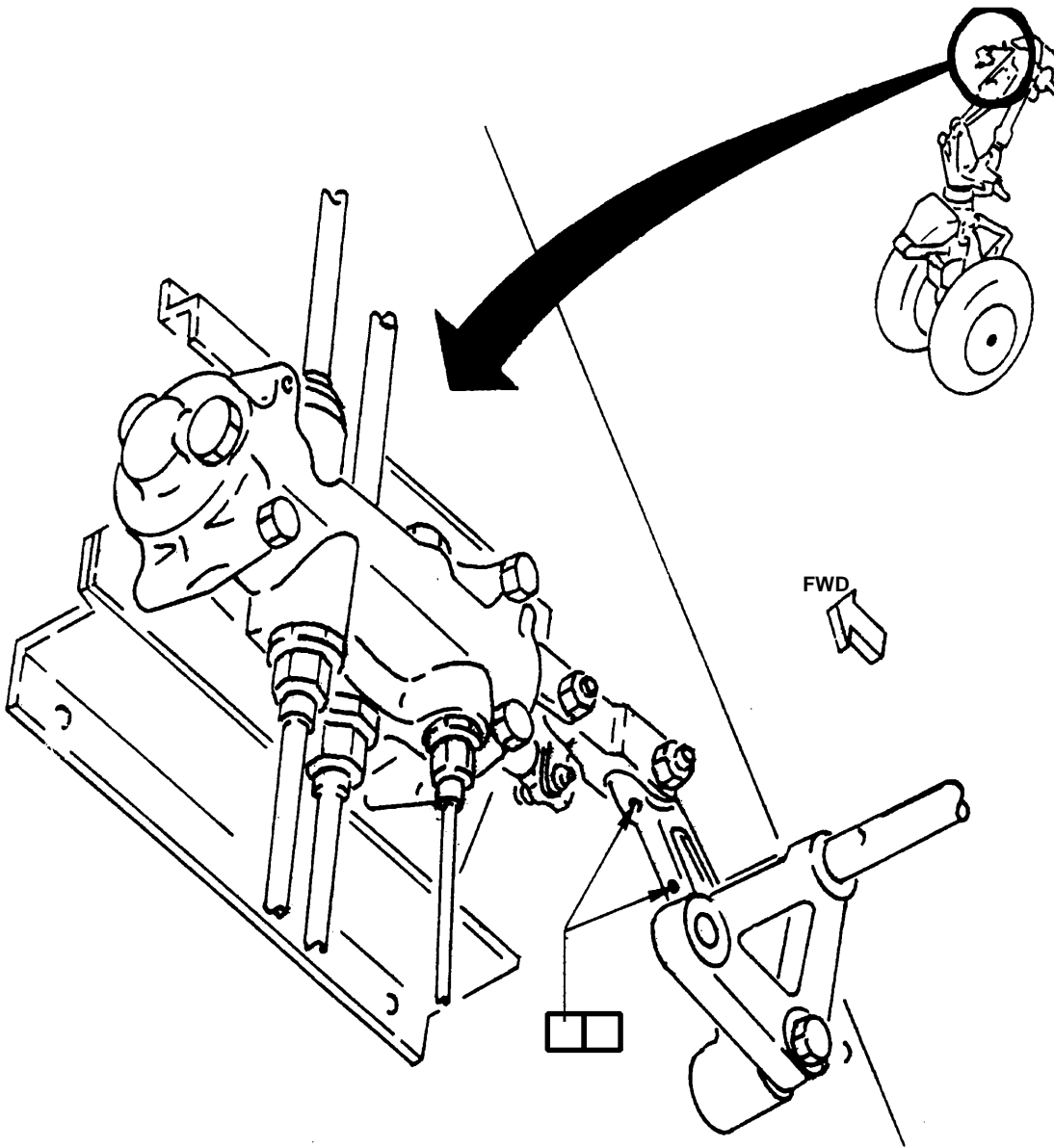
NOTE: Remove excess of grease & clean contamination areas in the immediate vicinity


Lubrication of the Nose Landing Gear I.A.W following figures.

sabena B707	Module: NLG WW + DOORS	A/C Reg :	Check :	 G110000501
	Oper. : RT-MP LC	Issuer : A59513	Cert.St.: 45379	
	Type : *LUBE*	Release Date: 13.11.2007	Page 3 of 7	
Spec. : MECHANIC				

NLG LUB

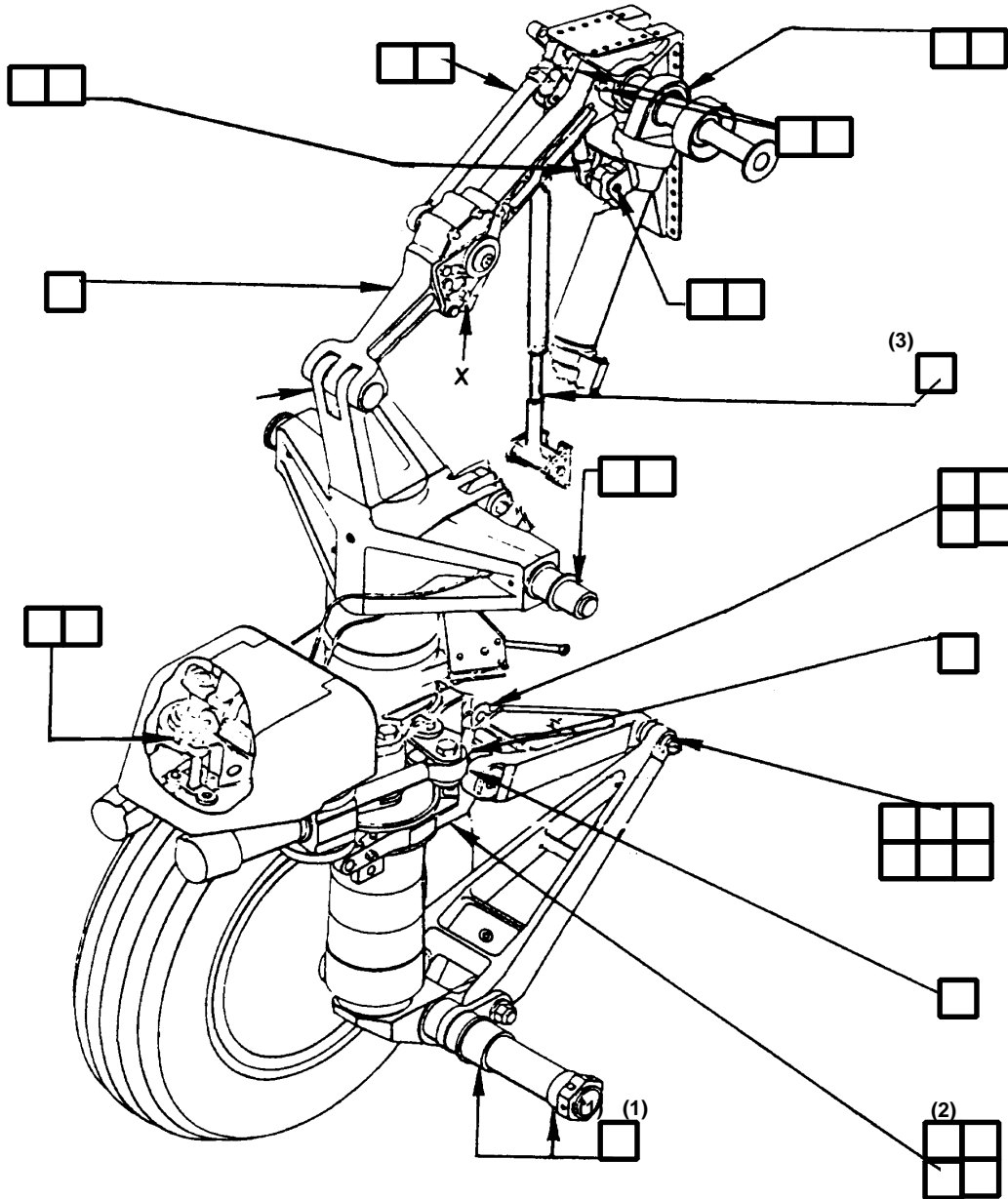
MAINT	RII/INSP



sabena B707	Module: NLG WW + DOORS	A/C Reg :	Check :	 G110000501 Page 4 of 7
	Oper. : RT-MP LC			
	Type : *LUBE*	Issuer : A59513	Cert.St.: 45379	
	Spec. : MECHANIC	Release Date: 13.11.2007		

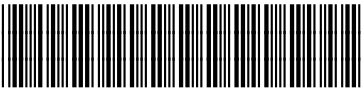
NLG LUB

MAINT	RII/INSP



- (1) MAY BE DELETED IF ACCOMPLISHED ON WHEEL AND BRAKE CHANGE
- (2) TURN NOSE GEAR APPRX. 45 DEG OFF CENTER WHEN LUB. TOWING COLLAR. 2 METAL SHEETS (WITH GREASE) WILL FACILITE TURNING THE NOSE GEAR.
- (3) UNIVIS J13. 6 DROPS

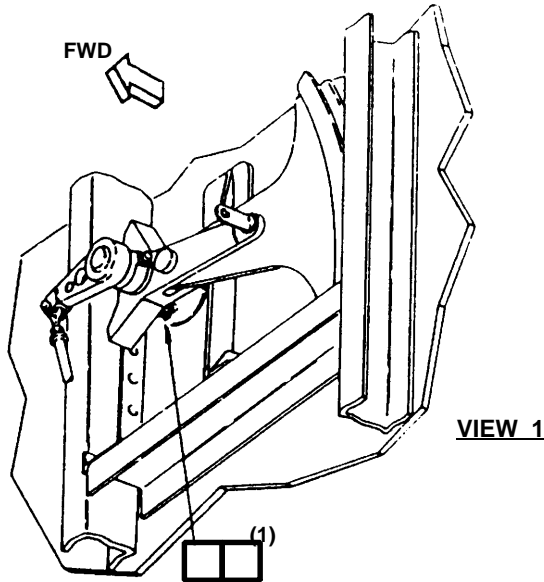
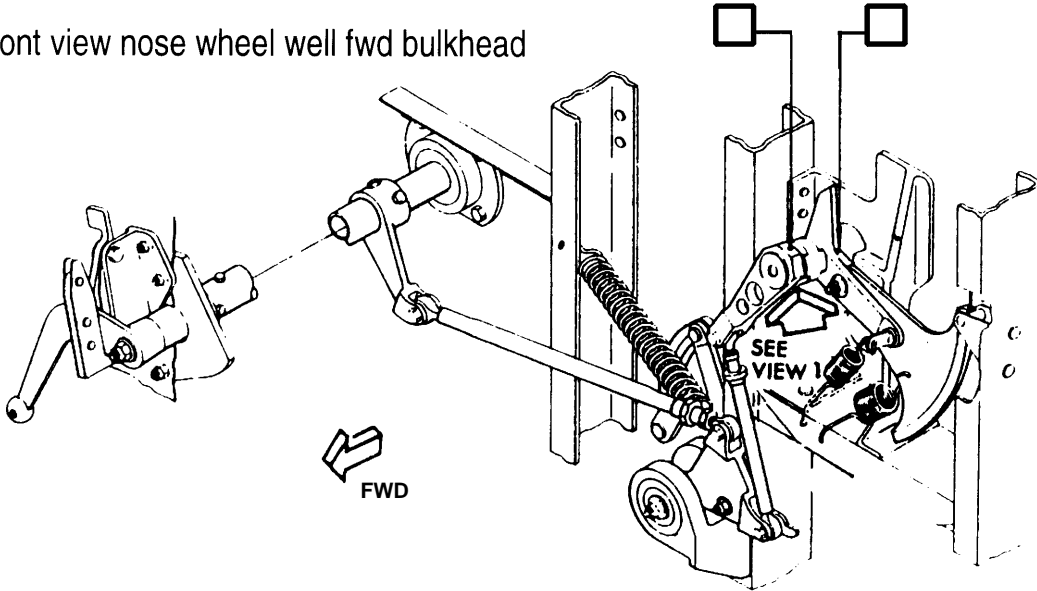
NOTE: REMOVE "X" FOR ACCESS TO ALEMITE LUBRICATION FITTING 1853, WICH REQUIRES ALEMITE TIP Nr Z737. FITTING MAY BE ON EITHER SIDE OF DRAG BRACE.

sabena B707	Module: NLG WW + DOORS	A/C Reg :	Check :	 G110000501
	Oper. : RT-MP LC			
	Type : *LUBE*	Issuer : A59513	Cert.St.: 45379	Page 5 of 7
	Spec. : MECHANIC	Release Date: 13.11.2007		

NLG LUB

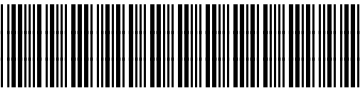
MAINT	RII/INSP
--------------	-----------------

Front view nose wheel well fwd bulkhead



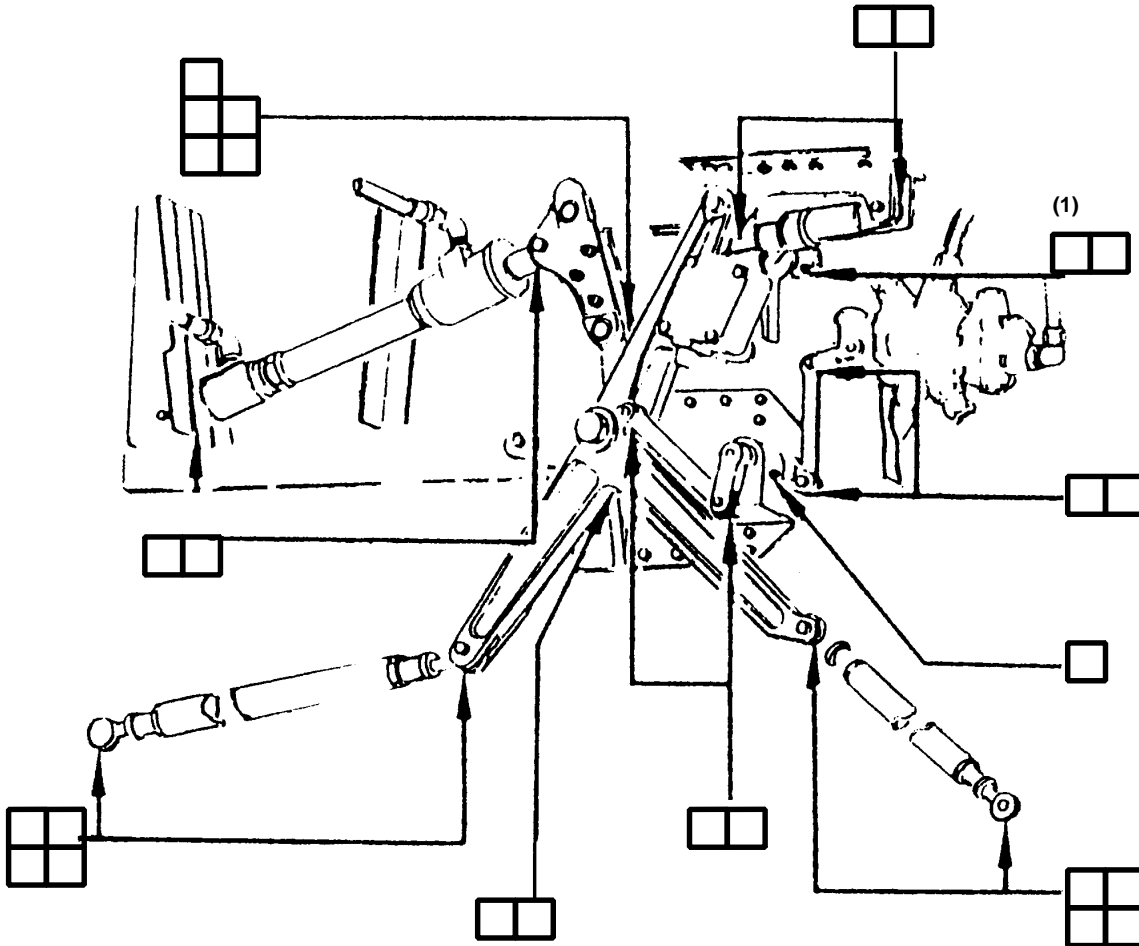
(1) ONE IN WHEEL WELL, ONE IN LOWER NOSE COMPARTMENT.

NLG LUB

sabena B707	Module: NLG WW + DOORS	A/C Reg :	Check :	 G110000501
	Oper. : RT-MP LC			
	Type : *LUBE*	Issuer : A59513	Cert.St.: 45379	Page 6 of 7
	Spec. : MECHANIC	Release Date: 13.11.2007		


NLG LUB

REAR VIEW NOSE WHEEL WELL FWD BULKHEAD

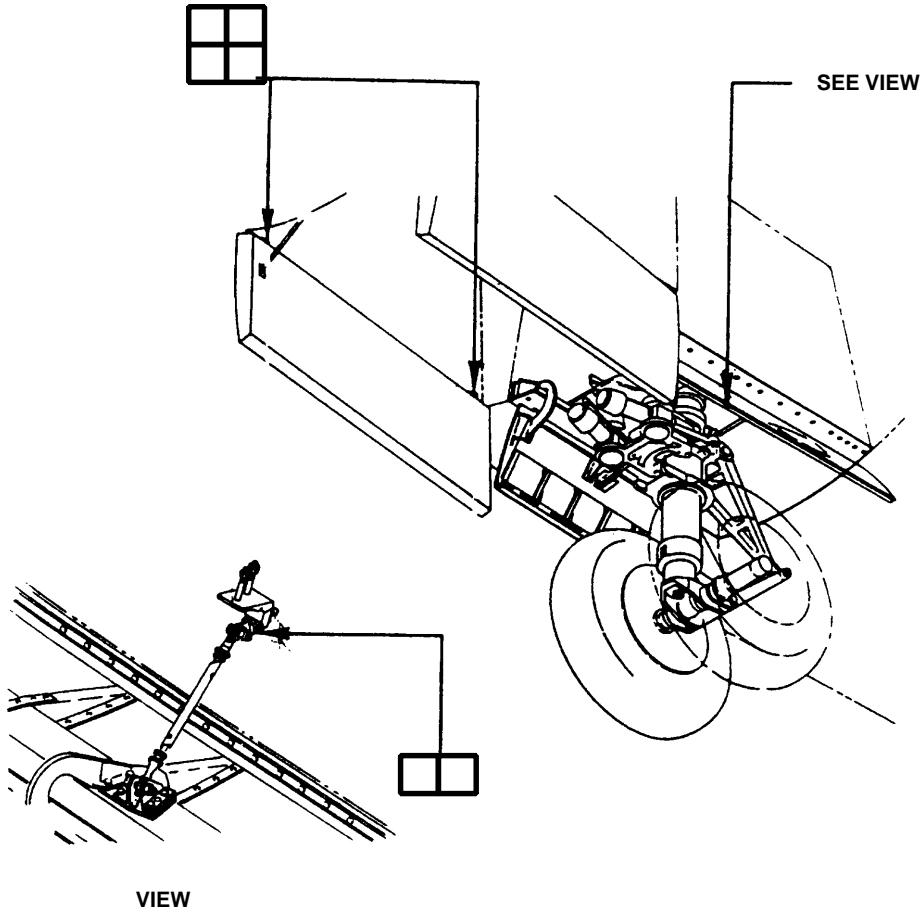


(1) ONE IN NOSE WHEEL WELL, ONE IN LOWER NOSE COMPARTMENT.

MAINT RII/INSP

sabena [®] B707	Module: NLG WW + DOORS	A/C Reg :	Check :	 G110000501
	Oper. : RT-MP LC	Issuer : A59513	Cert.St.: 45379	
	Type : *LUBE*	Release Date: 13.11.2007	Page 7 of 7	
Spec. : MECHANIC				

NLG LUB



MAINT **RII/INSP**