



<b>sabena</b> <sup>®</sup> <b>B707</b>	Module: MLG / CLG	A/C Reg :	Check :	 <b>H1F3000502</b>
	Oper. : RT-MP LC			
	Type : STRUCT-INSP	Issuer : A59513	Cert.St.: 46928	
Spec. : MECH. INSP	Release Date: 28.11.2005		Page 1 of 4	

**RH WING MLG TORQUE BOX & STEEL RIB STRUC INSP**

Execution / Start Date:	
End Date:	

MAINT	RII/INSP

<b>sabena</b> <b>B707</b>	Module: MLG / CLG	A/C Reg :	Check :	
	Oper. : RT-MP LC			
	Type : STRUCT-INSP	Issuer : A59513	Cert.St.: 46928	<b>H1F3000502</b>
	Spec. : MECH. INSP	Release Date: 28.11.2005		<b>Page 2 of 4</b>

**RH WING MLG TORQUE BOX & STEEL RIB STRUC INSP**


					MAINT	RII/INSP
Nr.	Hardtime	Task	Spec.	Related Documents		
1.		BT2 E3	INS	CPCP-TC C57-581-02 P2 rev 25 AUG 95 DEI 57-A3510 rev 07/06/2004 MMS-328 575000 06000 rev 09.07.04 SB 2425 rev 1		
<b>Check:</b> 1B, B						
<b>Zones:</b> 685						
<b>Access:</b> 1234 R, 1254 R, 1324R, 1346R, 1347R, 1350R, 1453R, 1454R						
NRC YES <input type="radio"/> NO <input type="radio"/>		IF YES, NUMBER(S):				

**RH wing MLG torque box & steel rib inspection.**

1. Clean the inspection area as required (see fig 01).
2. Detail visually inspect of both sides of RH main landing gear torque box & steel rib.

<b>DR number</b>

3. Apply a single coating in inspection areas.

<b>sabena</b> B707	Module: MLG / CLG	A/C Reg :	Check :	
	Oper. : RT-MP LC			
	Type : STRUCT-INSP	Issuer : A59513	Cert.St.: 46928	H1F3000502
	Spec. : MECH. INSP	Release Date: 28.11.2005		Page 3 of 4

**RH WING MLG TORQUE BOX & STEEL RIB STRUC INSP**

MAINT	RII/INSP

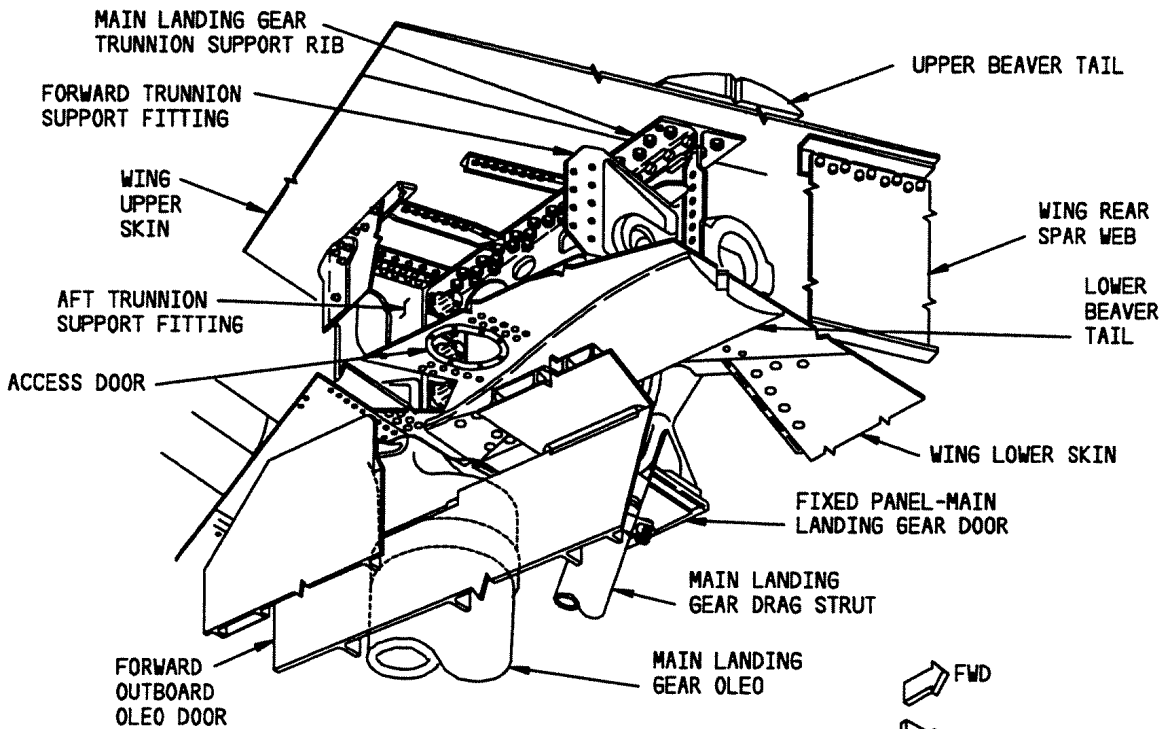
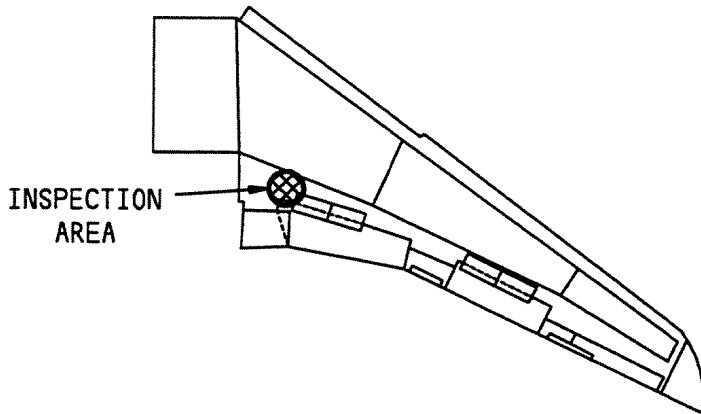

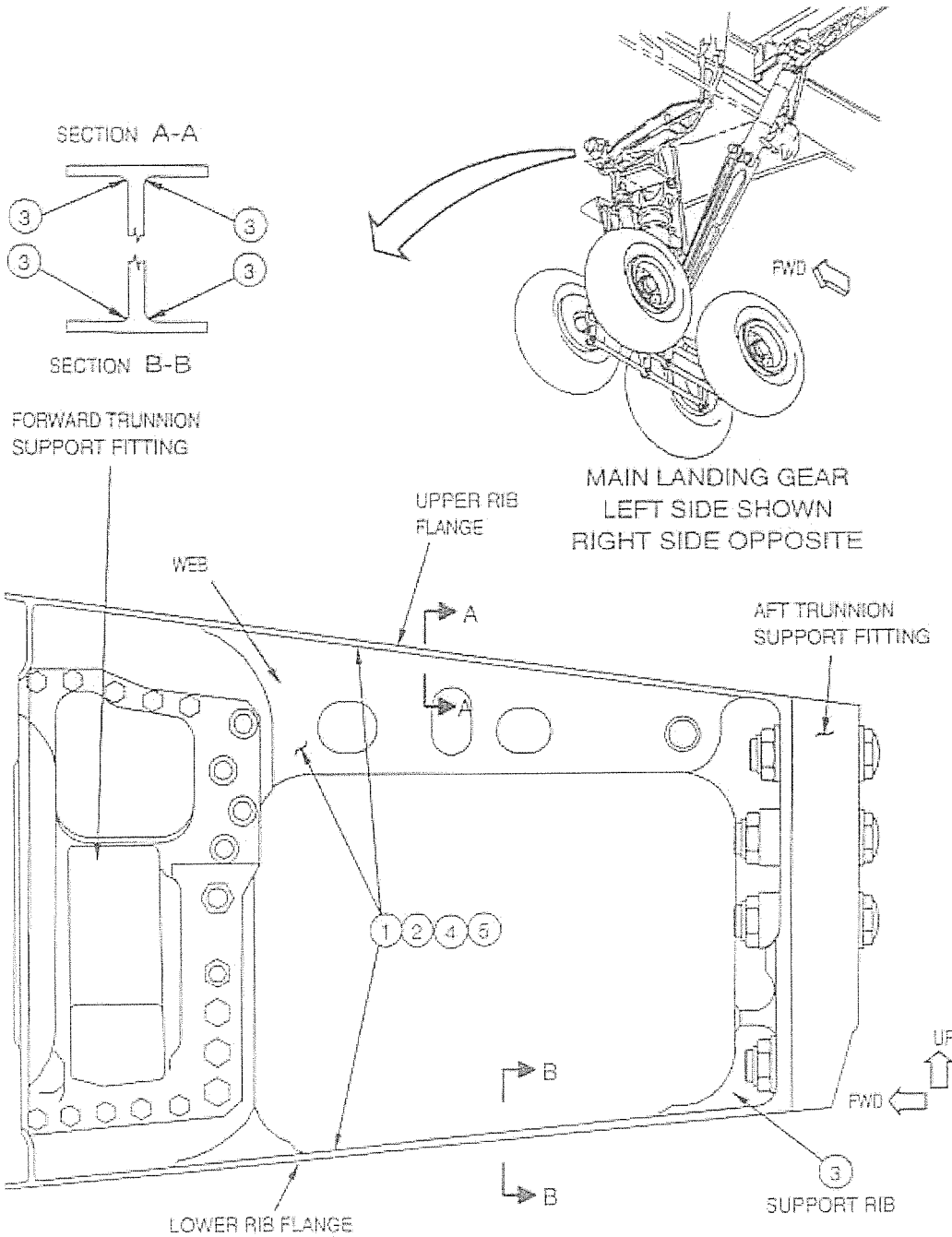


FIG 01

<b>sabena</b> <b>B707</b>	Module: MLG / CLG	A/C Reg :	Check :	 <b>H1F3000502</b>
	Oper. : RT-MP LC	Issuer : A59513	Cert.St.: 46928	
	Type : STRUCT-INSP	Release Date: 28.11.2005		Page 4 of 4
	Spec. : MECH. INSP			

**RH WING MLG TORQUE BOX & STEEL RIB STRUC INSP**

FIGURE 2: DETAILED INSPECTION OF THE MLG TRUNNION SUPPORT RIBS



**MAINT**      **RII/INSP**