



sabena [®] B707	Module: MLG WW + DOORS	A/C Reg :	Check :	 11F3000500
	Oper. : RT-MP LC			
	Type : STRUCT-INSP	Issuer : A43710	Cert.St.: 24828	Page 1 of 5
Spec. : MECHANIC	Release Date: 03.10.2001			

AD 90-25-07 rev 6788 LH MLG BAY EXT SURF INSP

		MAINT	RII/INSP
Execution / Start Date:			
End Date:			

AD 90-25-07 rev 6788 LH MLG BAY EXT SURF INSP

sabena B707	Module: MLG WW + DOORS	A/C Reg :	Check :	 11F3000500 Page 2 of 5
	Oper. : RT-MP LC	Issuer : A43710	Cert.St.: 24828	
	Type : STRUCT-INSP	Release Date: 03.10.2001		
Spec. : MECHANIC				

AD 90-25-07 rev 6788 LH MLG BAY EXT SURF INSP

					MAINT	RII/INSP
Nr.	Hardtime	Task	Spec.	Related Documents		
1.		E3	MEC	AD 90-25-07 rev 6788 CPCP C53-100-01P2 rev E MMS-328 533400 01000 rev 15/05/01		
Check: C1						
Zones: 135						
Access: 1140 L						

CONDITION: Main landing gear door OPEN.

LH MAIN LANDING GEAR BAY EXTERIOR SURFACE INSPECTION.


1. Perform inspection of LH main landing gear bay skin panels and main landing gear door surface, lowersurface of the pessure deck from BS 820 – 960, BS 820 and BS 960 bulkheads, the exterior of keel beam from BS 820 to BS 960 with particulary attention to:

- Keel beam including chords, webs and splices stiffeners.

CORROSION INSPECTION SUMMARY.

DESCRIPTION:	HIGHEST CORROSION LEVEL.				DR Nr.
	NO	1	2	3	
- Keel beam including chords, webs & splices stiffeners.					

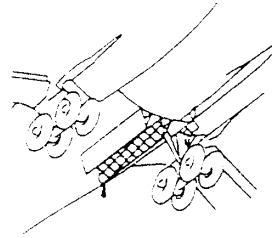
- 2. Clear any blocked holes or gaps that may hinder drainage.
- 3. Apply DINITROL (only in area LH main landing gear bay & interior of LH MLG door).

sabena B707	Module: MLG WW + DOORS	A/C Reg :	Check :	 1F3000500
	Oper. : RT-MP LC	Issuer : A43710	Cert.St.: 24828	
	Type : STRUCT-INSP	Release Date: 03.10.2001	Page 3 of 5	
Spec. : MECHANIC				

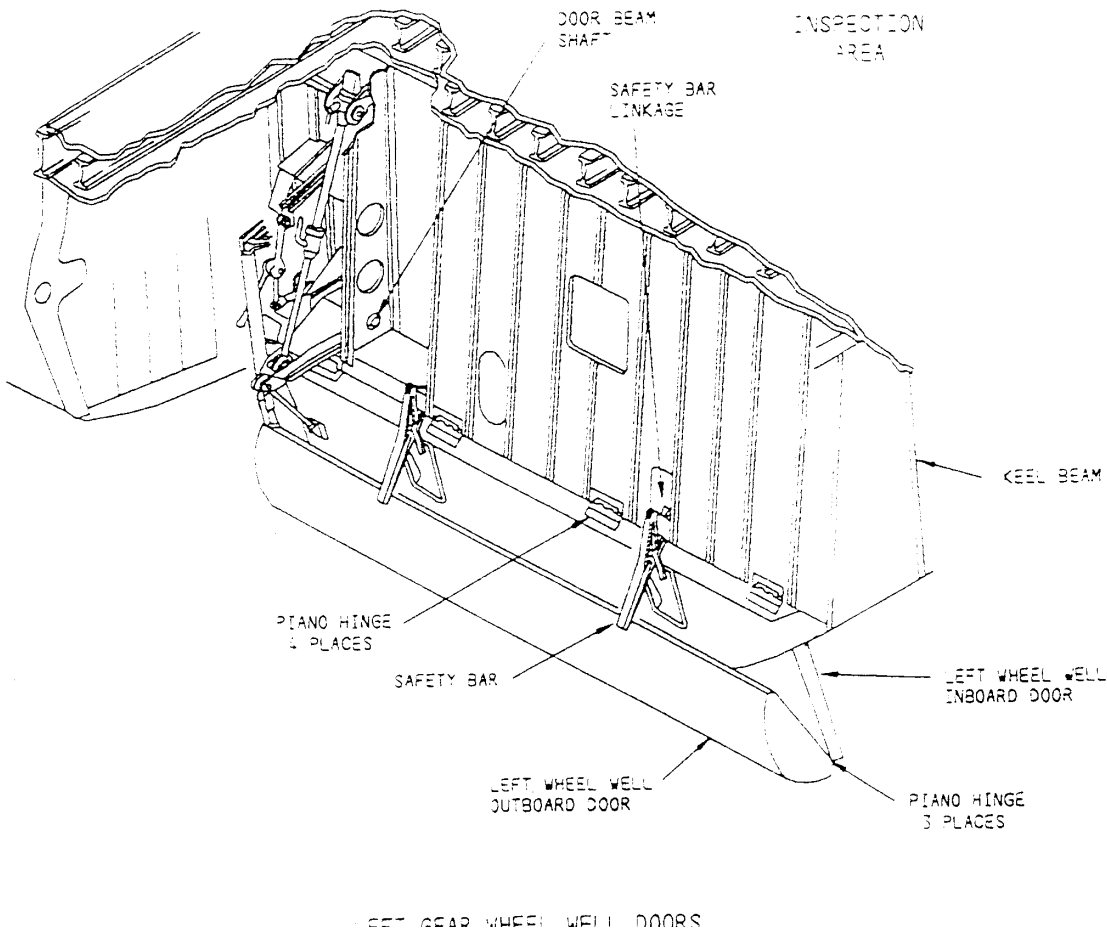
AD 90-25-07 rev 6788


LH MLG BAY EXT SURF INSP

MAINT	RII/INSP



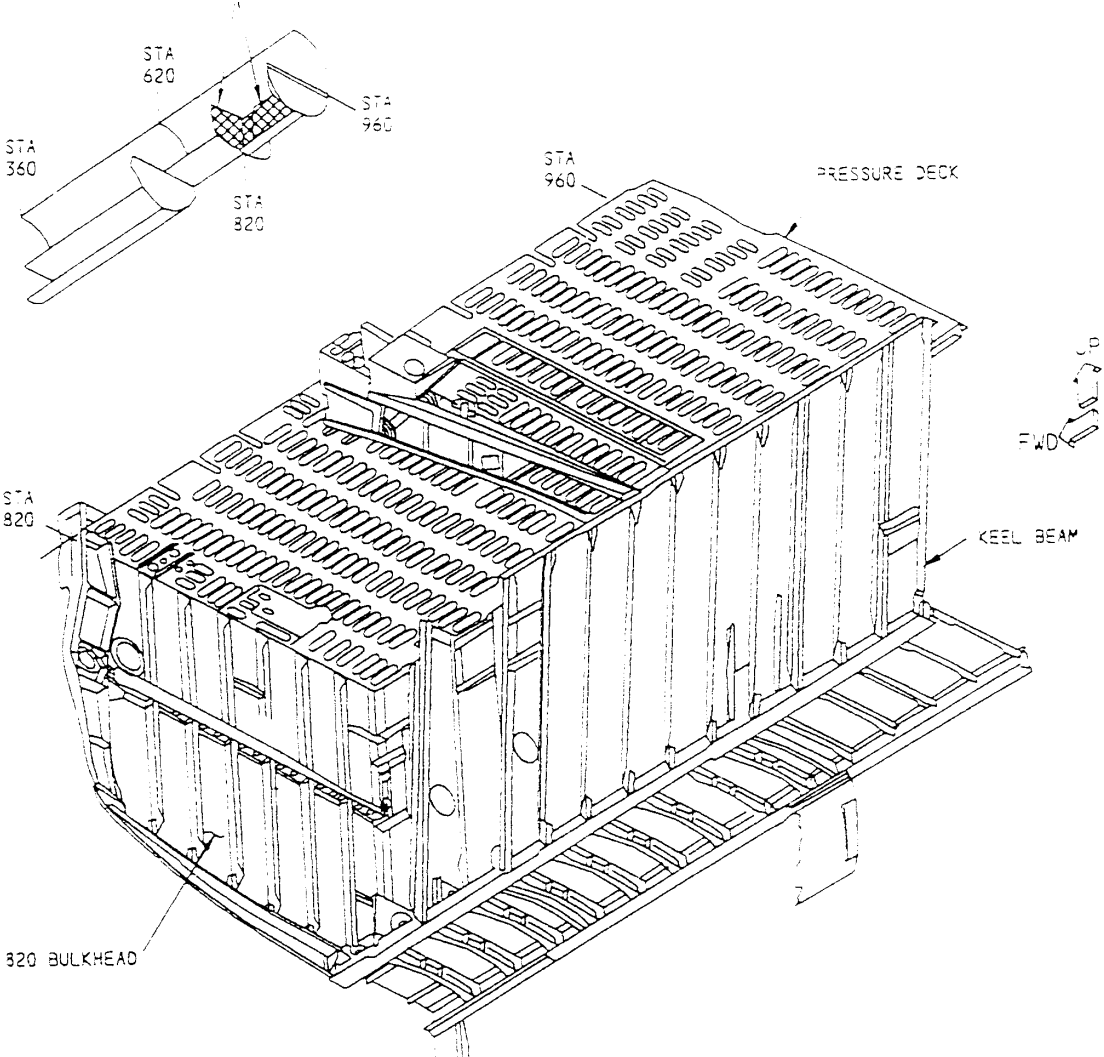
INSPECTION AREA




sabena B707	Module: MLG WW + DOORS	A/C Reg :	Check :	 11F3000500
	Oper. : RT-MP LC	Issuer : A43710	Cert.St.: 24828	
	Type : STRUCT-INSP	Release Date: 03.10.2001	Page 4 of 5	
Spec. : MECHANIC				

AD 90-25-07 rev 6788

LH MLG BAY EXT SURF INSP

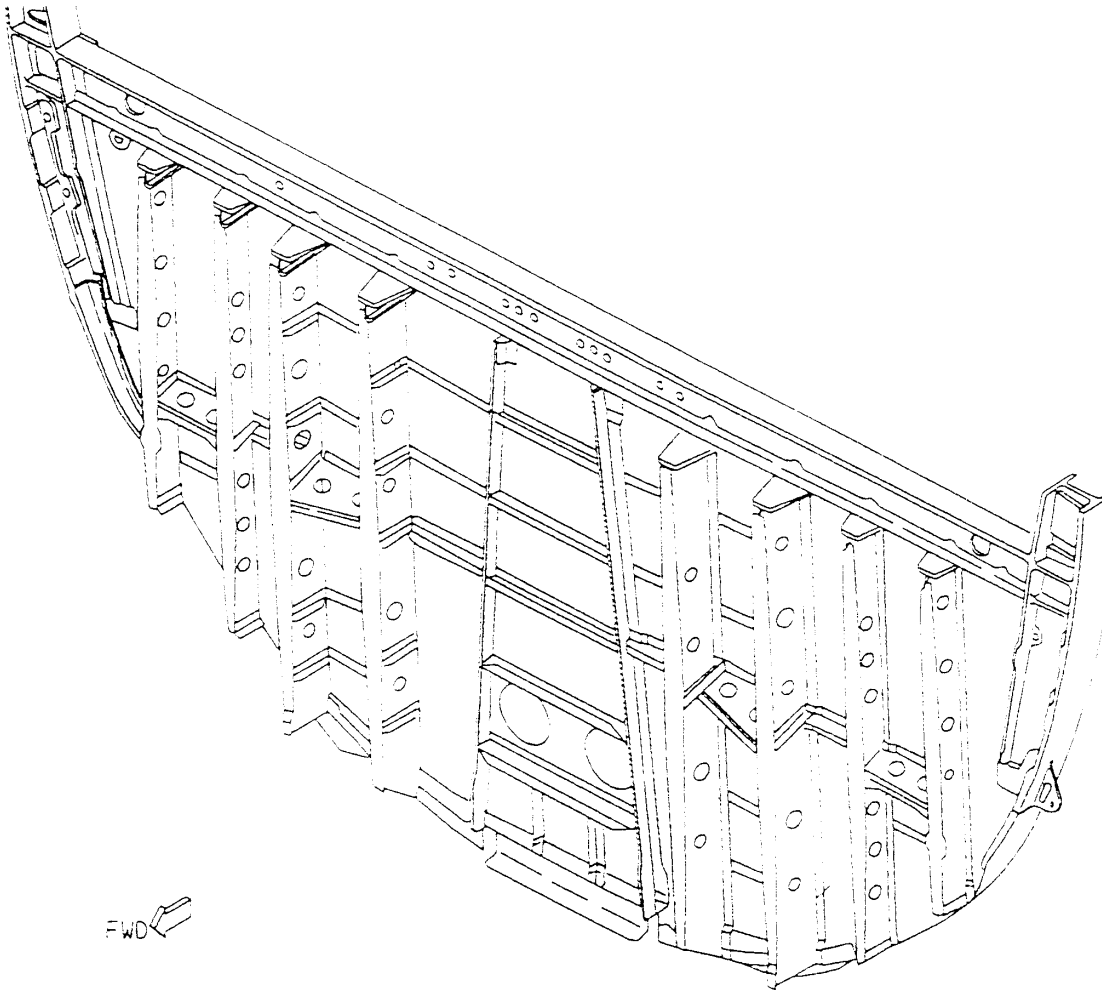
	MAINT	RII/INSP
 <p>LEFT MAIN LANDING GEAR BAY</p>		

sabena B707	Module: MLG WW + DOORS	A/C Reg :	Check :	 1F3000500
	Oper. : RT-MP LC	Issuer : A43710	Cert.St.: 24828	
	Type : STRUCT-INSP	Release Date: 03.10.2001	Page 5 of 5	
Spec. : MECHANIC				

AD 90-25-07 rev 6788

LH MLG BAY EXT SURF INSP

MAINT	RII/INSP



STA 960 BULKHEAD

AD 90-25-07 rev 6788

LH MLG BAY EXT SURF INSP