



<b>sabena</b> <b>B707</b>	Module: MLG WW + DOORS	A/C Reg :	Check :	
	Oper. : RT-MP LC			
	Type : *LUBE*	Issuer : A59513	Cert.St.: 45379	<b>I110000501</b>
Spec. : MECHANIC	Release Date: 14.07.2008		<b>Page 1 of 7</b>	

**RH MLG LUB**

Execution / Start Date:	
End Date:	

**MAINT**      **RII/INSP**

Pos	Mat. Type	P/N	IDN	Description	Qty	Unit
1	FL & CH	MIL-PRF-23827		BMS3-33	1.00	EA
1	FL & CH	MIL-L-7870		INSTRUMENT OIL	1.00	EA

<b>sabena</b> <b>B707</b>	Module: MLG WW + DOORS	A/C Reg :	Check :	
	Oper. : RT-MP LC			
	Type : *LUBE*	Issuer : A59513	Cert.St.: 45379	<b>I110000501</b>
	Spec. : MECHANIC	Release Date: 14.07.2008		<b>Page 2 of 7</b>

**RH MLG LUB**

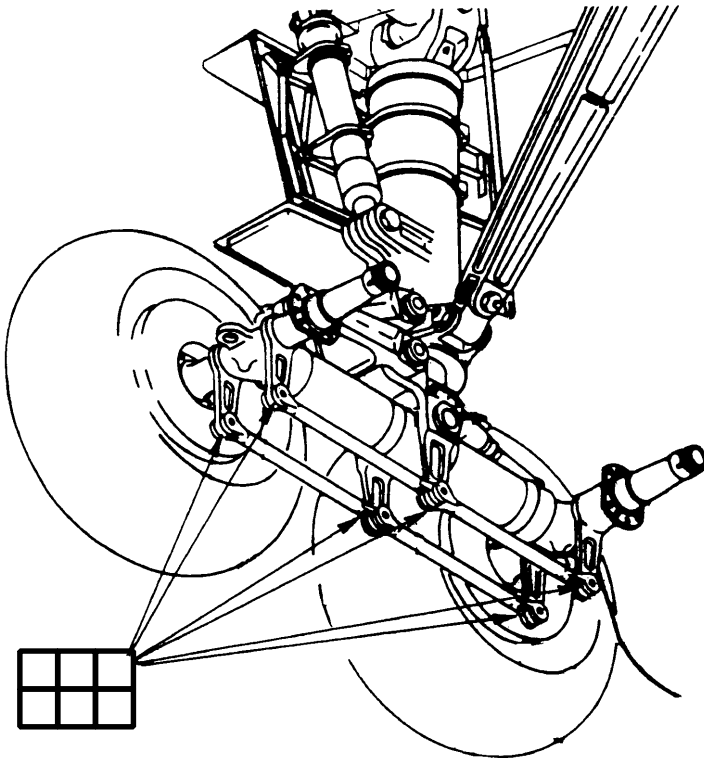
					MAINT	RII/INSP	
Nr.	Hardtime	Task	Spec.	Related Documents			
1.		S	MEC	MMS-328 321010 00102 rev 15/05/01			
<b>Check:</b> C							
<b>Zones:</b> 136							
<b>Access:</b>							
NRC YES <input type="radio"/> NO <input type="radio"/>		IF YES, NUMBER(S): .....					

**LUBRICATE RH MAIN LANDING GEAR .**

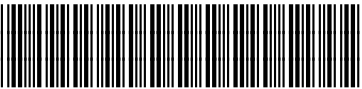
(Mark with 'X' at each lube location)

NOTE: Remove excess of grease & clean contamination areas in the immediate vicinity

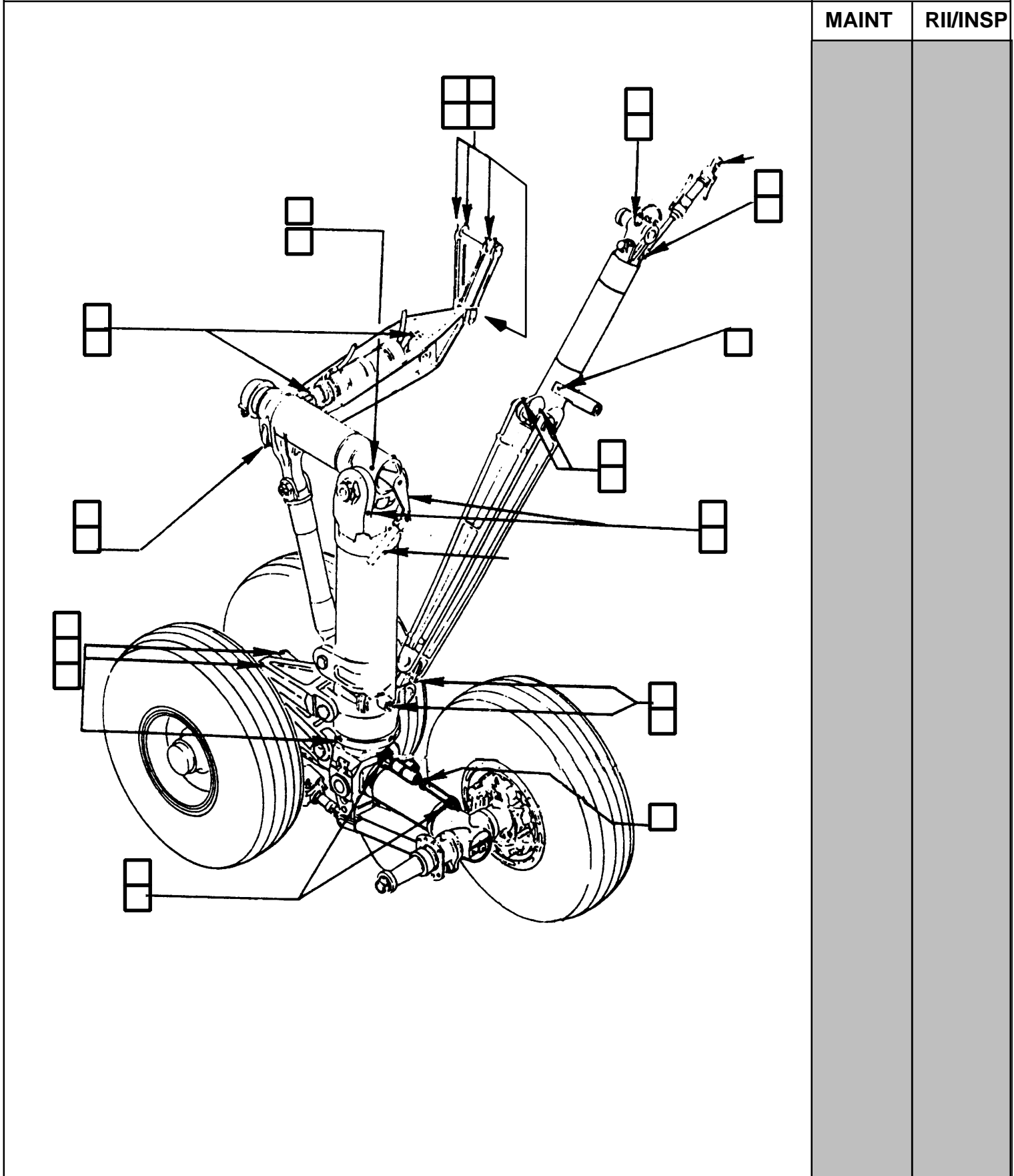
Lubrication of the RH MAIN LANDING GEAR I.A.W following figures.



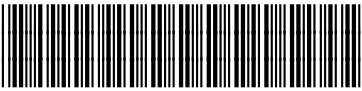


<b>sabena</b> B707	Module: MLG WW + DOORS	A/C Reg :	Check :	 <b>1110000501</b>
	Oper. : RT-MP LC	Issuer : A59513	Cert.St.: 45379	
	Type : *LUBE*	Release Date: 14.07.2008	<b>Page 4 of 7</b>	
Spec. : MECHANIC				

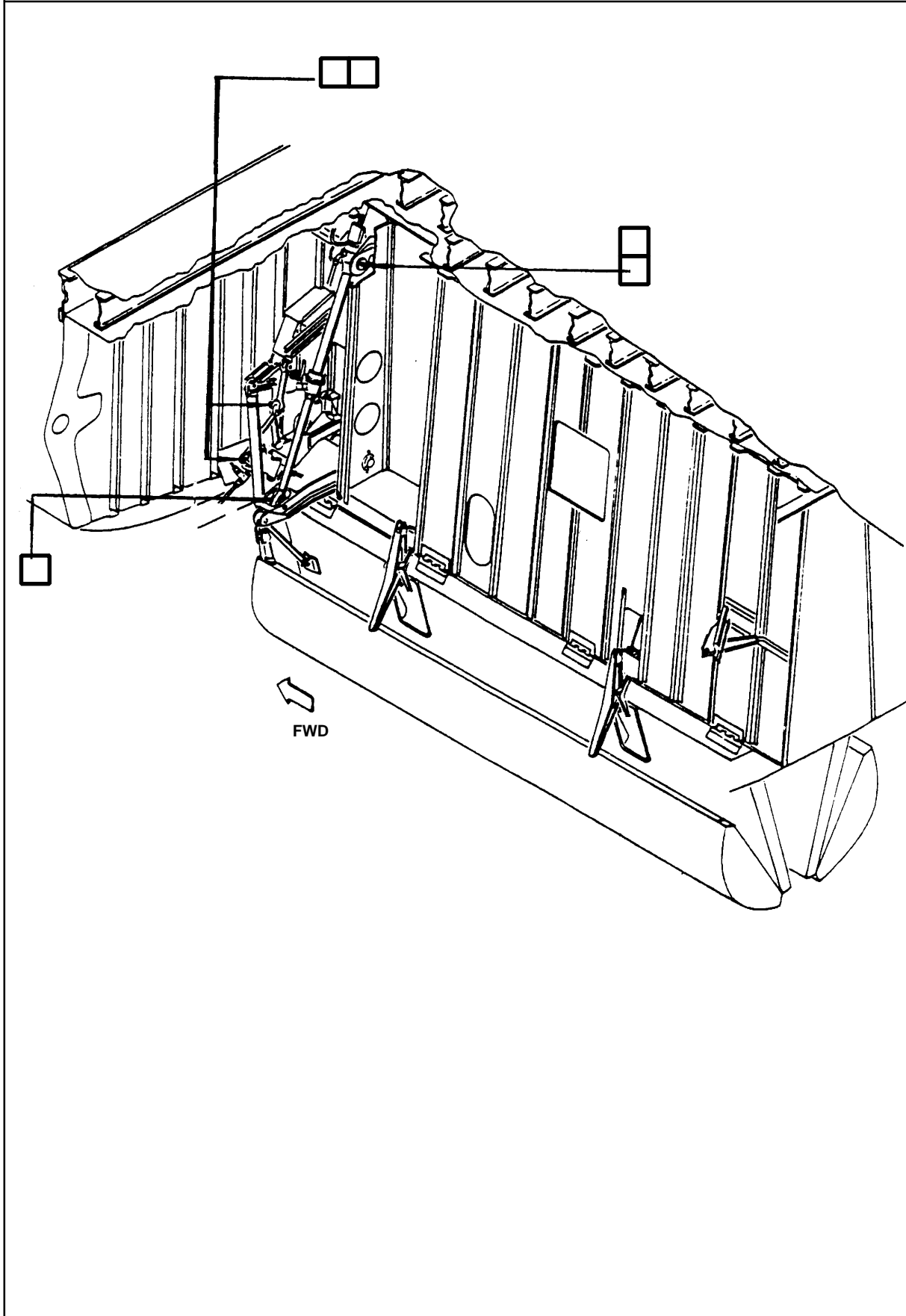
**RH MLG LUB**




MAINT	RII/INSP

<b>sabena</b> B707	Module: MLG WW + DOORS	A/C Reg :	Check :	
	Oper. : RT-MP LC			
	Type : *LUBE*	Issuer : A59513	Cert.St.: 45379	I110000501
	Spec. : MECHANIC	Release Date: 14.07.2008		Page 5 of 7

RH MLG LUB



MAINT	RII/INSP

<b>sabena</b> B707	Module: MLG WW + DOORS	A/C Reg :	Check :	 <b>I110000501</b>
	Oper. : RT-MP LC	Issuer : A59513	Cert.St.: 45379	
	Type : *LUBE*	Release Date: 14.07.2008	<b>Page 6 of 7</b>	
Spec. : MECHANIC				

**RH MLG LUB**

MAINT	RII/INSP

