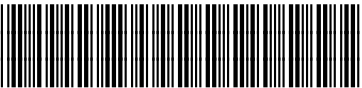



sabena [®] B707	Module: ENGINE 1	A/C Reg :	Check :	
	Oper. : RT-MP LC			
	Type : OPEN	Issuer : A43710	Cert.St.: 24828	N1C1000500
	Spec. : GENERAL	Release Date: 26.10.2001		Page 1 of 4

OPEN-ENG 1

Execution / Start Date:	
End Date:	

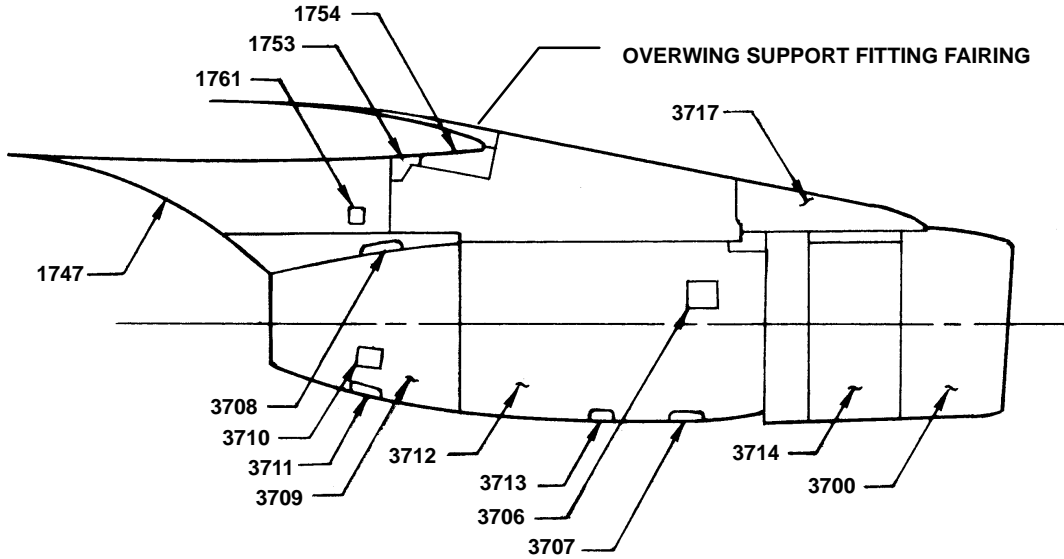
MAINT	RII/INSP

OPEN-ENG 1

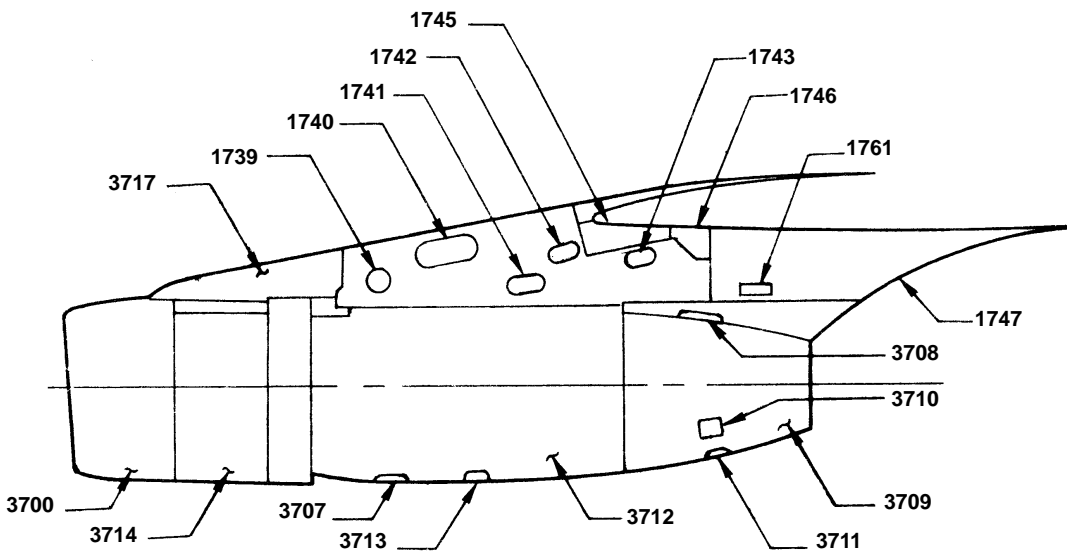
sabena B707	Module: ENGINE 1	A/C Reg :	Check :	
	Oper. : RT-MP LC			
	Type : OPEN	Issuer : A43710	Cert.St.: 24828	N1C1000500
	Spec. : GENERAL	Release Date: 26.10.2001		Page 2 of 4

OPEN-ENG 1

					MAINT	RII/INSP
Nr.	Hardtime	Task	Spec.	Related Documents		
1.			GEN			
Check: B, C, C1						
Zones: 451						
Access:						

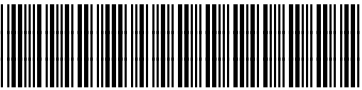


NO.1 NACELLE & STRUT RH VIEW



NO.1 NACELLE & STRUT LH VIEW

OPEN-ENG 1

sabena B707	Module: ENGINE 1	A/C Reg :	Check :	 N1C1000500 Page 3 of 4
	Oper. : RT-MP LC			
	Type : OPEN	Issuer : A43710	Cert.St.: 24828	
	Spec. : GENERAL	Release Date: 26.10.2001		


OPEN-ENG 1

MAINT RII/INSP

IMPORTANT! Also open all access panels of the lower checks !!!

A	B	C	C1	C2	S	S1	S2	DESCRIPTION	PANEL NO	OPEN
	X		X					STRUT ACCESS PANEL	1739	
	X	X	X					STRUT ACCESS PANEL	1740	
	X		X					STRUT ACCESS PANEL	1741	
	X		X					STRUT ACCESS PANEL	1742	
	X							STRUT ACCESS PANEL	1743	
	X		X					STRUT TO WING ACCESS PANEL	1745	
	X		X					STRUT FITTING ACCESS PANEL	1746	
	X		X					STRUT TRAILING EDGE FAIRING	1747	
	X		X					STRUT TO WING ACCESS PANEL	1753	
	X		X					STRUT FITTING ACCESS DOOR	1754	
								STRUT ACCESS PANEL	1761	
								ENGINE NOSE COWL	3700	
								ENGINE OIL ACCESS DOOR	3706	
								ENGINE SURGE BLEED DOOR	3707	
	X							NACELLE, AFT ACCESS DOOR	3708L	
	X							NACELLE, AFT ACCESS DOOR	3708R	
								THRUST REVERSER SLEEVE	3709	
	X							THRUST REVERSER SIDE ACCESS SIDE	3710L	
	X							THRUST REVERSER SIDE ACCESS SIDE	3710R	
	X							THRUST REVERSER LWR ACCESS DOOR	3711	

OPEN-ENG 1

sabena B707	Module: ENGINE 1	A/C Reg :	Check :	
	Oper. : RT-MP LC			
	Type : OPEN	Issuer : A43710	Cert.St.: 24828	N1C1000500
	Spec. : GENERAL	Release Date: 26.10.2001		Page 4 of 4

OPEN-ENG 1

MAINT RII/INSP

IMPORTANT! Also open all access panels of the lower checks !!!

A	B	C	C1	C2	S	S1	S2	DESCRIPTION	PANEL NO	OPEN
	X		X					AFT COWL PANEL	3712L	
	X		X					AFT COWL PANEL	3712R	
								PRESSURE VENTING DOOR	3713	
	X							FWD COWL PANEL	3714L	
	X							FWD COWL PANEL	3714R	
	X	X	X					FWD FAIRING	3717	
	X							OVERWING SUPPORT FITTING FAIRING	SEE FIG	

OPEN-ENG 1