



<b>sabena</b> <sup>®</sup> <b>B707</b>	Module: ENGINE 1	A/C Reg :	Check :	
	Oper. : RT-MP LC			
	Type : CLOSE	Issuer : A43710	Cert.St.: 24828	<b>N1L2000500</b>
	Spec. : GENERAL	Release Date: 26.10.2001		<b>Page 1 of 4</b>

**CLOSE-ENG 1**

Execution / Start Date:	
End Date:	

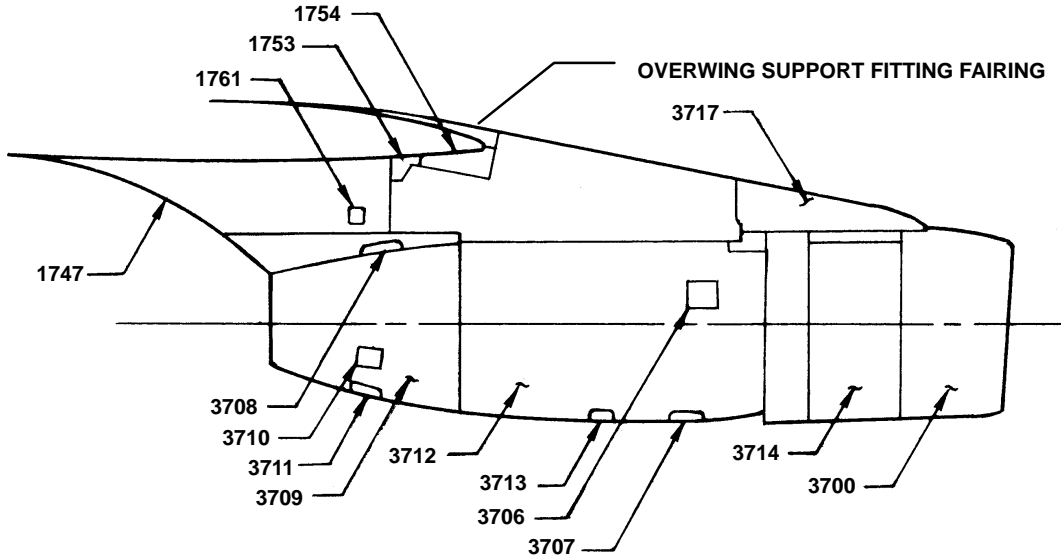
MAINT	RII/INSP

**CLOSE-ENG 1**

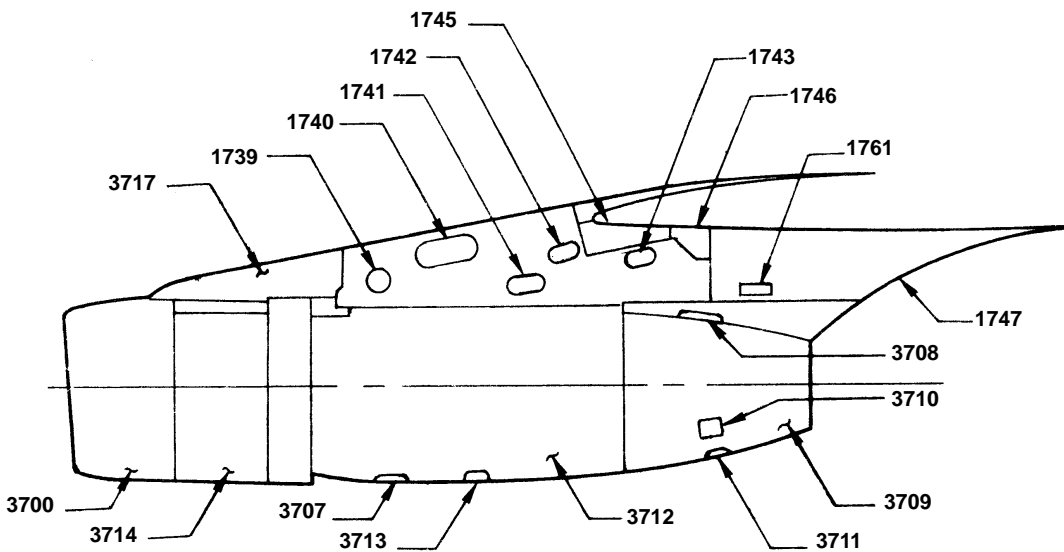
<b>sabena</b> B707	Module: ENGINE 1	A/C Reg :	Check :	
	Oper. : RT-MP LC			
	Type : CLOSE	Issuer : A43710	Cert.St.: 24828	N1L2000500
	Spec. : GENERAL	Release Date: 26.10.2001		Page 2 of 4

**CLOSE-ENG 1**


					<b>MAINT</b>	<b>RII/INSP</b>
Nr.	Hardtime	Task	Spec.	Related Documents		
1.			GEN			
Check: B, C, C1						
Zones: 451						
Access:						



**NO.1 NACELLE & STRUT RH VIEW**



**NO.1 NACELLE & STRUT LH VIEW**

<b>sabena</b> B707	Module: ENGINE 1	A/C Reg :	Check :	
	Oper. : RT-MP LC			
	Type : CLOSE	Issuer : A43710	Cert.St.: 24828	N1L2000500
	Spec. : GENERAL	Release Date: 26.10.2001		Page 3 of 4


CLOSE-ENG 1

MAINT RII/INSP

**IMPORTANT!** Also close all access panels of the lower checks !!!

A	B	C	C1	C2	S	S1	S2	DESCRIPTION	PANEL NO	OK TO CLOSE	CLOSE
	X		X					STRUT ACCESS PANEL	1739		
	X	X	X					STRUT ACCESS PANEL	1740		
	X		X					STRUT ACCESS PANEL	1741		
	X		X					STRUT ACCESS PANEL	1742		
	X							STRUT ACCESS PANEL	1743		
	X		X					STRUT TO WING ACCESS PANEL	1745		
	X		X					STRUT FITTING ACCESS PANEL	1746		
	X		X					STRUT TRAILING EDGE FAIRING	1747		
	X		X					STRUT TO WING ACCESS PANEL	1753		
	X		X					STRUT FITTING ACCESS DOOR	1754		
								STRUT ACCESS PANEL	1761		
								ENGINE NOSE COWL	3700		
								ENGINE OIL ACCESS DOOR	3706		
								ENGINE SURGE BLEED DOOR	3707		
	X							NACELLE, AFT ACCESS DOOR	3708L		
	X							NACELLE, AFT ACCESS DOOR	3708R		
								THRUST REVERSER SLEEVE	3709		
	X							THRUST REVERSER SIDE ACCESS SIDE	3710L		
	X							THRUST REVERSER SIDE ACCESS SIDE	3710R		
	X							THRUST REVERSER LWR ACCESS DOOR	3711		

CLOSE-ENG 1

<b>sabena</b> <b>B707</b>	Module: ENGINE 1	A/C Reg :	Check :	
	Oper. : RT-MP LC			
	Type : CLOSE	Issuer : A43710	Cert.St.: 24828	<b>N1L2000500</b>
	Spec. : GENERAL	Release Date: 26.10.2001		<b>Page 4 of 4</b>

CLOSE-ENG 1

MAINT RII/INSP

**IMPORTANT!** Also close all access panels of the lower checks !!!

A	B	C	C1	C2	S	S1	S2	DESCRIPTION	PANEL NO	OK TO CLOSE	CLOSE
	X		X					AFT COWL PANEL	3712L		
	X		X					AFT COWL PANEL	3712R		
								PRESSURE VENTING DOOR	3713		
	X							FWD COWL PANEL	3714L		
	X							FWD COWL PANEL	3714R		
	X	X	X					FWD FAIRING	3717		
	X							OVERWING SUPPORT FITTING FAIRING	SEE FIG		

CLOSE-ENG 1