



<b>sabena</b> <sup>®</sup> <b>B707</b>	Module: ENGINE 2	A/C Reg :	Check :	
	Oper. : RT-MP LC			
	Type : CLOSE	Issuer : A43710	Cert.St.: 24828	<b>O1L2000500</b>
	Spec. : GENERAL	Release Date: 18.02.2002		<b>Page 1 of 4</b>

**CLOSE-ENG 2**

Execution / Start Date:	
End Date:	

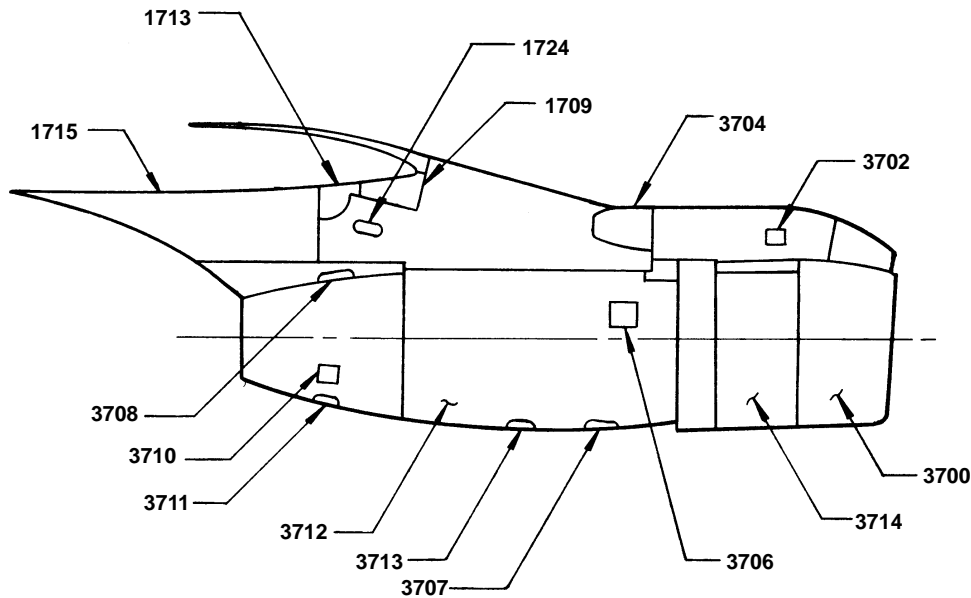
MAINT	RII/INSP

**CLOSE-ENG 2**

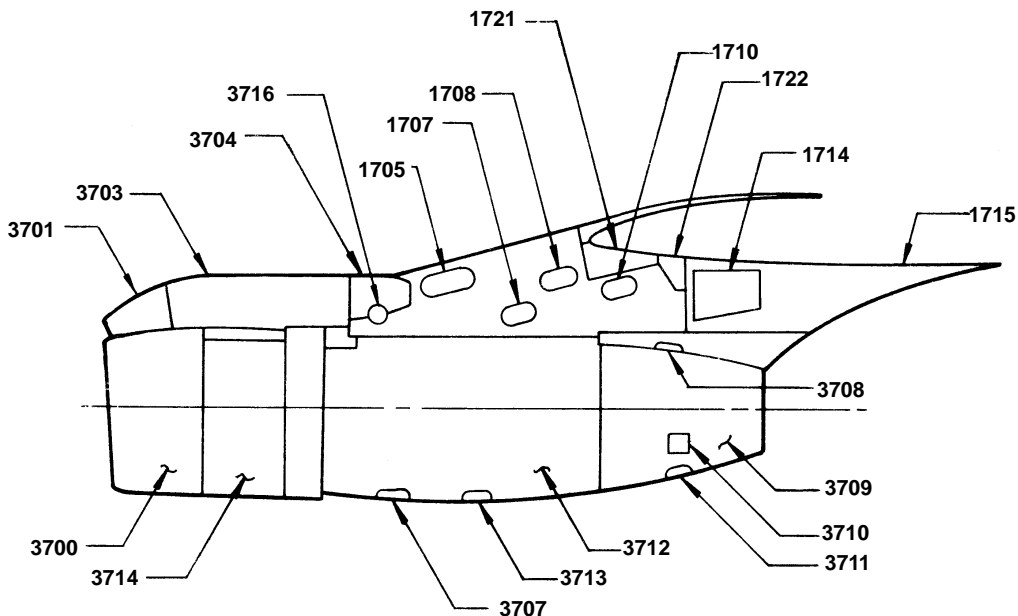
<b>sabena</b> <b>B707</b>	Module: ENGINE 2	A/C Reg :	Check :	 <b>O1L2000500</b> <b>Page 2 of 4</b>
	Oper. : RT-MP LC			
	Type : CLOSE	Issuer : A43710	Cert.St.: 24828	
	Spec. : GENERAL	Release Date: 18.02.2002		

**CLOSE-ENG 2**


					MAINT	RII/INSP
Nr.	Hardtime	Task	Spec.	Related Documents		
1.			GEN			
Check: B, C, C1						
Zones: 452						
Access:						



**NO.2 NACELLE & STRUT RH VIEW**



**NO.2 NACELLE & STRUT LH VIEW**

<b>sabena</b> B707	Module: ENGINE 2	A/C Reg :	Check :	
	Oper. : RT-MP LC			
	Type : CLOSE	Issuer : A43710	Cert.St.: 24828	O1L2000500
	Spec. : GENERAL	Release Date: 18.02.2002		Page 3 of 4


CLOSE-ENG 2

MAINT RII/INSP

**IMPORTANT!** Also close all access panels of the lower checks !!!

A	B	C	C1	C2	S	S1	S2	DESCRIPTION	PANEL NO	OK TO CLOSE	CLOSE
	X		X					STRUT ACCESS PANEL	1705		
	X		X					STRUT ACCESS PANEL	1707		
	X		X					STRUT ACCESS PANEL	1708		
	X		X					STRUT TO WING ACCESS PANEL	1709		
	X	X	X					STRUT ACCESS PANEL	1710		
	X							STRUT FITTING ACCESS PANEL	1713		
	X							FIRE EXTINGUISHER ACCESS PANEL	1714		
	X		X					STRUT TRAILING EDGE FAIRING	1715		
	X		X					STRUT TO WING ACCESS PANEL	1721		
	X		X					STRUT FITTING ACCESS PANEL	1722		
	X		X					STRUT FITTING ACCESS PANEL	1724		
								ENGINE NOSE COWL	3700		
								NACELLE, FWD INLET FAIRING	3701		
	X							OIL ACCESS DOOR	3702		
	X	X	X					FWD FAIRING	3703		
			X					SADDLE FAIRING	3704		
								ENGINE OIL ACCESS DOOR	3706		
								ENGINE SURGE BLEED DOOR	3707		
	X							AFT ACCESS DOOR	3708L		
	X							AFT ACCESS DOOR	3708R		

CLOSE-ENG 2

<b>sabena</b> B707	Module: ENGINE 2	A/C Reg :	Check :	
	Oper. : RT-MP LC			
	Type : CLOSE	Issuer : A43710	Cert.St.: 24828	O1L2000500
	Spec. : GENERAL	Release Date: 18.02.2002		Page 4 of 4

CLOSE-ENG 2

MAINT RII/INSP

**IMPORTANT!** Also close all access panels of the lower checks !!!

A	B	C	C1	C2	S	S1	S2	DESCRIPTION	PANEL NO	OK TO CLOSE	CLOSE
								THRUST REVERSER SLEEVE	3709		
X								THRUST REVERSER SIDE ACCESS SIDE	3710L		
X								THRUST REVERSER SIDE ACCESS SIDE	3710R		
X								THRUST REVERSER LWR ACCESS DOOR	3711		
X		X						AFT COWL PANEL	3712L		
X		X						AFT COWL PANEL	3712R		
								PRESSURE VENTING DOOR	3713		
X								FWD COWL PANEL	3714L		
X								FWD COWL PANEL	3714R		
X		X						ACCESS PANEL	3716		

CLOSE-ENG 2