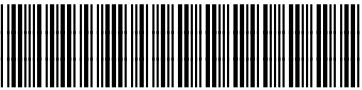



sabena [®] B707	Module: ENGINE 3	A/C Reg :	Check :	 P1C1000500
	Oper. : RT-MP LC	Issuer : A43710	Cert.St.: 24828	
	Type : OPEN	Release Date: 18.02.2002		Page 1 of 4
Spec. : GENERAL				

OPEN-ENG 3

Execution / Start Date:	
End Date:	

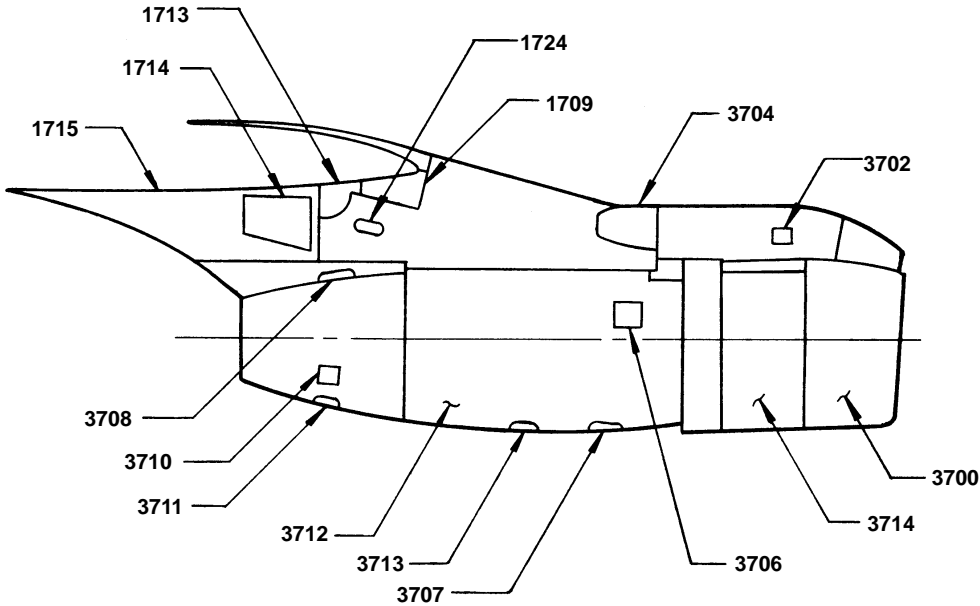
MAINT	RII/INSP

OPEN-ENG 3

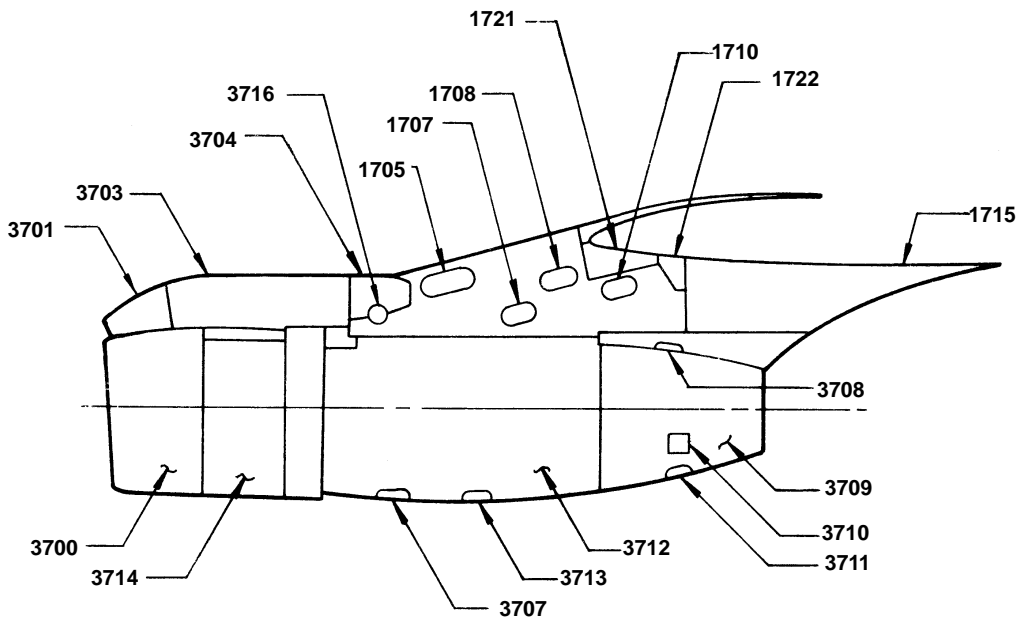
sabena B707	Module: ENGINE 3	A/C Reg :	Check :	 P1C1000500 Page 2 of 4
	Oper. : RT-MP LC			
	Type : OPEN	Issuer : A43710	Cert.St.: 24828	
	Spec. : GENERAL	Release Date: 18.02.2002		

OPEN-ENG 3

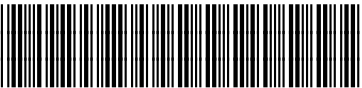
					MAINT	RII/INSP
Nr.	Hardtime	Task	Spec.	Related Documents		
1.			GEN			
Check: B, C, C1						
Zones: 453						
Access:						



NO.3 NACELLE & STRUT RH VIEW



NO.3 NACELLE & STRUT LH VIEW

sabena B707	Module: ENGINE 3	A/C Reg :	Check :	
	Oper. : RT-MP LC			
	Type : OPEN	Issuer : A43710	Cert.St.: 24828	P1C1000500
	Spec. : GENERAL	Release Date: 18.02.2002		Page 3 of 4


OPEN-ENG 3

MAINT RII/INSP

IMPORTANT! Also open all access panels of the lower checks !!!

A	B	C	C1	C2	S	S1	S2	DESCRIPTION	PANEL NO	OPEN
	X		X					STRUT ACCESS PANEL	1705	
	X		X					STRUT ACCESS PANEL	1707	
	X		X					STRUT ACCESS PANEL	1708	
	X		X					STRUT TO WING ACCESS PANEL	1709	
	X	X	X					STRUT ACCESS PANEL	1710	
	X							STRUT FITTING ACCESS PANEL	1713	
	X							FIRE EXTINGUISHER ACCESS PANEL	1714	
	X		X					STRUT TRAILING EDGE FAIRING	1715	
	X		X					STRUT TO WING ACCESS PANEL	1721	
	X		X					STRUT FITTING ACCESS PANEL	1722	
	X		X					STRUT FITTING ACCESS PANEL	1724	
								ENGINE NOSE COWL	3700	
								NACELLE, FWD INLET FAIRING	3701	
	X							OIL ACCESS DOOR	3702	
	X	X	X					FWD FAIRING	3703	
			X					SADDLE FAIRING	3704	
								ENGINE OIL ACCESS DOOR	3706	
								ENGINE SURGE BLEED DOOR	3707	
	X							AFT ACCESS DOOR	3708L	
	X							AFT ACCESS DOOR	3708R	

OPEN-ENG 3

sabena B707	Module: ENGINE 3	A/C Reg :	Check :	
	Oper. : RT-MP LC			
	Type : OPEN	Issuer : A43710	Cert.St.: 24828	P1C1000500
	Spec. : GENERAL	Release Date: 18.02.2002		Page 4 of 4

OPEN-ENG 3

MAINT RII/INSP

IMPORTANT! Also open all access panels of the lower checks !!!

A	B	C	C1	C2	S	S1	S2	DESCRIPTION	PANEL NO	OPEN
								THRUST REVERSER SLEEVE	3709	
X								THRUST REVERSER SIDE ACCESS SIDE	3710L	
X								THRUST REVERSER SIDE ACCESS SIDE	3710R	
X								THRUST REVERSER LWR ACCESS DOOR	3711	
X		X						AFT COWL PANEL	3712L	
X		X						AFT COWL PANEL	3712R	
								PRESSURE VENTING DOOR	3713	
X								FWD COWL PANEL	3714L	
X								FWD COWL PANEL	3714R	
X		X						ACCESS PANEL	3716	

OPEN-ENG 3