


|                              |                          |                 |                    |  |
|------------------------------|--------------------------|-----------------|--------------------|--|
| <b>sabena</b><br><b>B707</b> | Module: ENGINE 3         | A/C Reg :       | Check :            |  |
|                              | Oper. : RT-MP LC         |                 |                    |  |
|                              | Type : MODIF             | Issuer : A43710 | Cert.St.: 46928    | <b>P1G2000500</b>  |
| Spec. : ELECTRICIAN          | Release Date: 20.02.2002 |                 | <b>Page 1 of 6</b> |  |


**SB A3505      ENG 3 BONDING FUEL FEED FITTING & WING FRONT SPAR**

|                         |  |  |              |                 |
|-------------------------|--|--|--------------|-----------------|
|                         |  |  | <b>MAINT</b> | <b>RII/INSP</b> |
| Execution / Start Date: |  |  |              |                 |
| End Date:               |  |  |              |                 |

| Pos | Mat. Type | P/N         | IDN    | Description | Qty  | Unit |
|-----|-----------|-------------|--------|-------------|------|------|
| 1   | CONSUM    | ALODINE 600 |        | COATING     | 0.00 |      |
| 1   | CONSUM    | BMS5-26     | 893809 | SEALANT     | 0.00 |      |

|  |  |  |  |  |  |  |
|--|--|--|--|--|--|--|
|  |  |  |  |  |  |  |
|--|--|--|--|--|--|--|

**SB A3505      ENG 3 BONDING FUEL FEED FITTING & WING FRONT SPAR**

|                              |                  |                          |                 |   |
|------------------------------|------------------|--------------------------|-----------------|---|
| <b>sabena</b><br><b>B707</b> | Module: ENGINE 3 | A/C Reg :                | Check :         | <br><b>P1G2000500</b><br><b>Page 2 of 6</b> |
|                              | Oper. : RT-MP LC | Issuer : A43710          | Cert.St.: 46928 |   |
|                              | Type : MODIF     | Release Date: 20.02.2002 |                 |   |
| Spec. : ELECTRICIAN          |                  |                          |                 |   |

**SB A3505      ENG 3 BONDING FUEL FEED FITTING & WING FRONT SPAR**

|                |          |      |       |                          | MAINT | RII/INSP |
|----------------|----------|------|-------|--------------------------|-------|----------|
| Nr.            | Hardtime | Task | Spec. | Related Documents        |       |          |
| 1.             |          |      | REI   | SB A3505 rev 01 nov 2001 |       |          |
| <b>Check:</b>  |          |      |       |                          |       |          |
| <b>Zones:</b>  |          |      |       |                          |       |          |
| <b>Access:</b> |          |      |       |                          |       |          |

**A. CONDITIONS:**

- a) Start levers ==> CUTOFF pos.
- b) All eng fuel S/O vlv's ==> CLOSED.
- c) All fuel pump circuit breakers ==> PULLED.

**B. PROCEDURE:**

**1. Remove.** (see fig 01 & 02).

- a) Remove & keep :
  - Engine fuel feed tube (1).
  - Upper strut fuel feed tube (2).
  - Nut, washer & bulkhead fitting (3).
  - Clean with solvent inner & outer surfaces on wing front spar
  - Clean with grip abrasive (finer) inner & outer surfaces on wing front spar.

**CAUTION:** KEEP THE BARE METAL SURFACES EXPOSURE TIME TO A MINIMUM. IF THE BARE METAL SURFACES EXPOSURE TIME IS MORE THAN APPROX 4 HOURS, RUB THE BARE METAL SURFACES LIGHTLY AGAIN BEFORE APPLYING THE CONVERSION COATING.

**2. Installation.**

- a) Apply Alodine 600 to the areas on both sides of the front spar that were prepared above.

|           |
|-----------|
| DT NUMBER |
|           |

NOTE: Use only Alodine 600. Alodine 600 is electrically conductive.


- b) Install bulkhead fitting, washer & nut (3). Torque to 855 – 945 inch pounds.
- c) Measure bonding resistance between fitting & front spar web. The electrical resistance is to be less than 0.5 milliohm (0.0005 ohm).
- d) Install Upper strut fuel feed tube & engine fuel feed tube.

**3. Apply sealant.**

Note: Follow step per step this procedure. (see fig 03).


|                      |
|----------------------|
| Apply mastic 1440 A2 |
|                      |

|                      |
|----------------------|
| Apply mastic 1440 B2 |
|                      |

|                              |                     |                          |                 |  |
|------------------------------|---------------------|--------------------------|-----------------|--|
| <b>sabena</b><br><b>B707</b> | Module: ENGINE 3    | A/C Reg :                | Check :         |  |
|                              | Oper. : RT-MP LC    |                          |                 |  |
|                              | Type : MODIF        | Issuer : A43710          | Cert.St.: 46928 | <b>P1G2000500</b>  |
|                              | Spec. : ELECTRICIAN | Release Date: 20.02.2002 |                 | <b>Page 3 of 6</b>   |

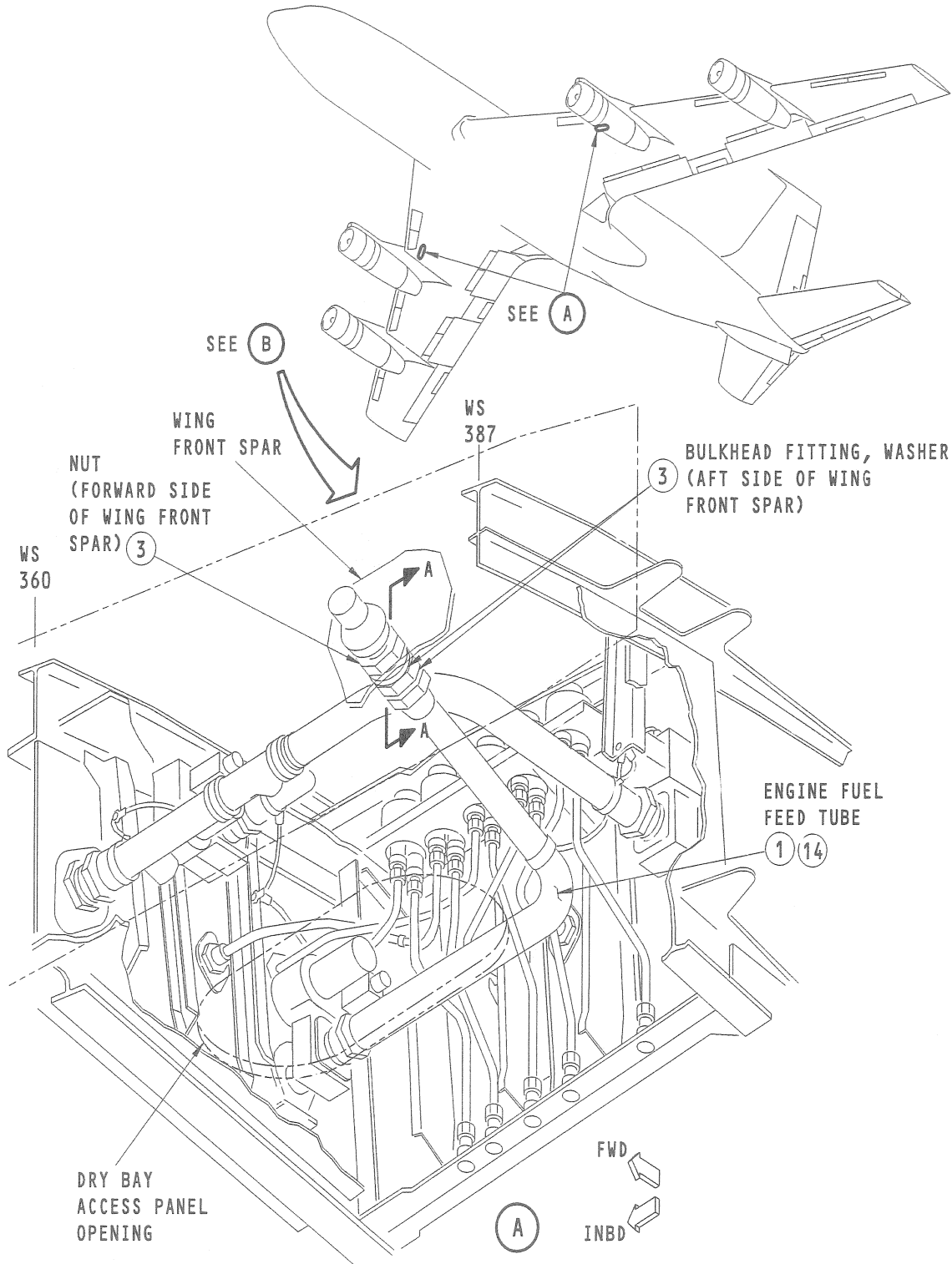
**SB A3505                      ENG 3 BONDING FUEL FEED FITTING & WING FRONT SPAR**

|  | MAINT | RII/INSP |
|--|-------|----------|
| <p>a) Apply sealant to nut, washer &amp; the front spar (circle symbol 1).<br/>( Sealant to extend a min of 3/16 inch beyond hex flats on nuts).</p> <p>b) Apply sealant to nut &amp; bulkhead fitting threads (circle symbol 2).<br/>(Sealant to extend to at least 2 threads of bulkhead fitting &amp; to hex flap on nut).</p> <p>c) Apply sealant to bulkhead fitting &amp; front spar ( circle symbot 3).<br/>(sealant to extend a min of 3/16 inch beyond hex flats on bulkhead fitting).</p> <p>d) Apply sealant to engine fuel feed tube, B–nut &amp; bulkhead fitting (circle symbol 4).</p> <p>e) Apply sealant to upper strut fuel feed tube &amp; B–nut (circle symbol 5).</p> <p>f) Apply corrosion resistant finish &amp; resistant finish to exposed aeras.</p> <p>g) Identify with service bulletin number (SB A3505) on the front surface of the web.</p> <p><b>4. Leak test.</b></p> |       |          |
| <p>a) Test the fuel feed system for leaks. No leakage allowed.</p>   |       |          |
|  |       |          |


|                       |                     |                          |                 |  |
|-----------------------|---------------------|--------------------------|-----------------|--|
| <b>sabena</b><br>B707 | Module: ENGINE 3    | A/C Reg :                | Check :         | <br><b>P1G2000500</b><br>Page 4 of 6 |
|                       | Oper. : RT-MP LC    |                          |                 |  |
|                       | Type : MODIF        | Issuer : A43710          | Cert.St.: 46928 |  |
|                       | Spec. : ELECTRICIAN | Release Date: 20.02.2002 |                 |  |

SB A3505      **ENG 3 BONDING FUEL FEED FITTING & WING FRONT SPAR**

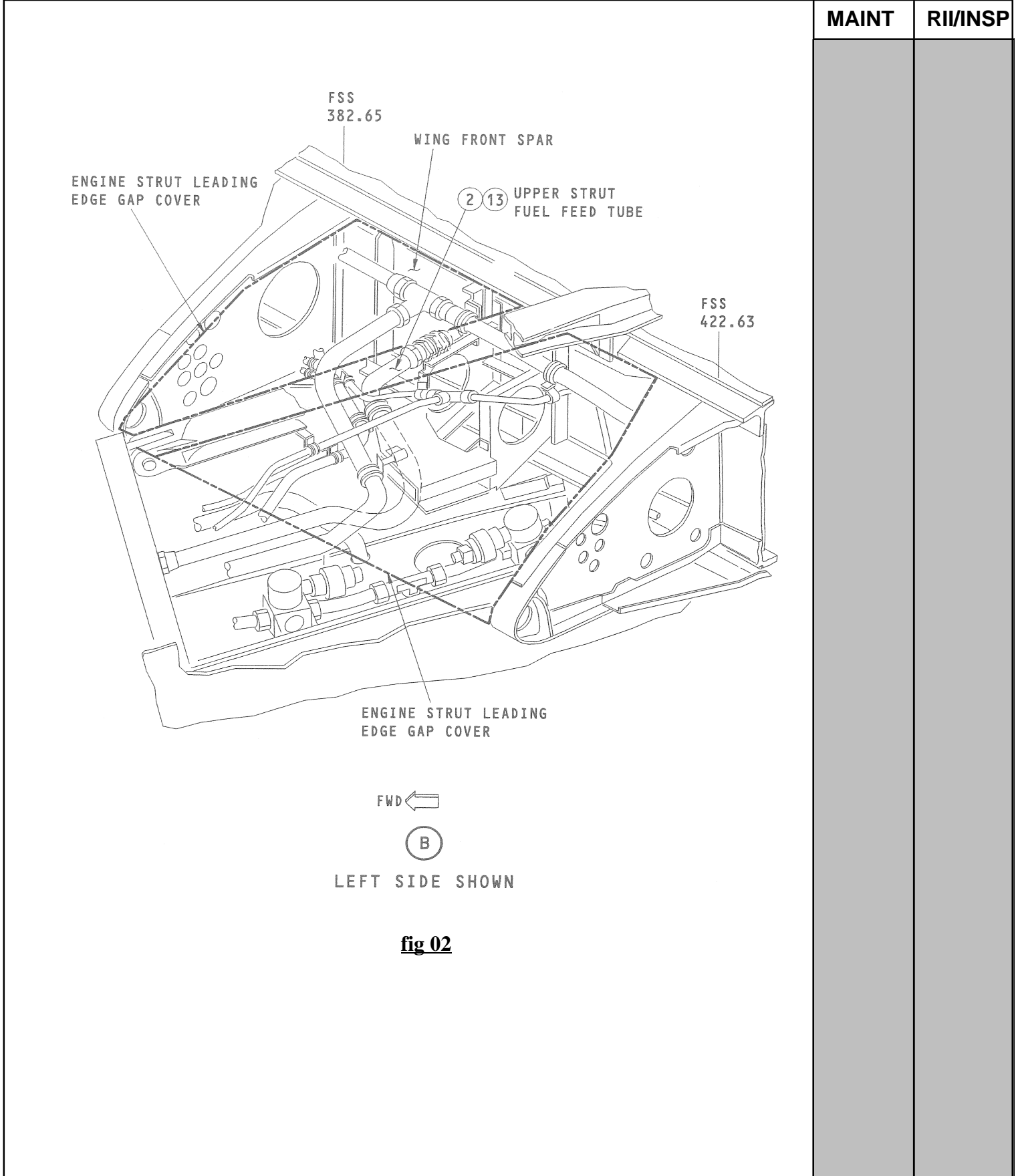
|       |          |
|-------|----------|
| MAINT | RII/INSP |
|-------|----------|




**fig 01**

|                       |                     |                          |                 |   |
|-----------------------|---------------------|--------------------------|-----------------|---|
| <b>sabena</b><br>B707 | Module: ENGINE 3    | A/C Reg :                | Check :         | <br><b>P1G2000500</b> |
|                       | Oper. : RT-MP LC    |                          |                 |   |
|                       | Type : MODIF        | Issuer : A43710          | Cert.St.: 46928 | <b>Page 5 of 6</b>  |
|                       | Spec. : ELECTRICIAN | Release Date: 20.02.2002 |                 |   |

**SB A3505      ENG 3 BONDING FUEL FEED FITTING & WING FRONT SPAR**



|                       |                     |                          |                 |   |
|-----------------------|---------------------|--------------------------|-----------------|---|
| <b>sabena</b><br>B707 | Module: ENGINE 3    | A/C Reg :                | Check :         | <br><b>P1G2000500</b> |
|                       | Oper. : RT-MP LC    |                          |                 |   |
|                       | Type : MODIF        | Issuer : A43710          | Cert.St.: 46928 | <b>Page 6 of 6</b>  |
|                       | Spec. : ELECTRICIAN | Release Date: 20.02.2002 |                 |   |

**SB A3505      ENG 3 BONDING FUEL FEED FITTING & WING FRONT SPAR**

