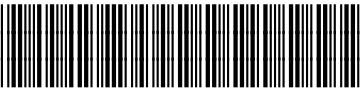



<b>sabena</b> <sup>®</sup> <b>B707</b>	Module: ENGINE 4	A/C Reg :	Check :	
	Oper. : RT-MP LC			
	Type : OPEN	Issuer : A43710	Cert.St.: 24828	<b>Q1C1000500</b>
	Spec. : GENERAL	Release Date: 18.02.2002		Page 1 of 4

OPEN-ENG 4

Execution / Start Date:	
End Date:	

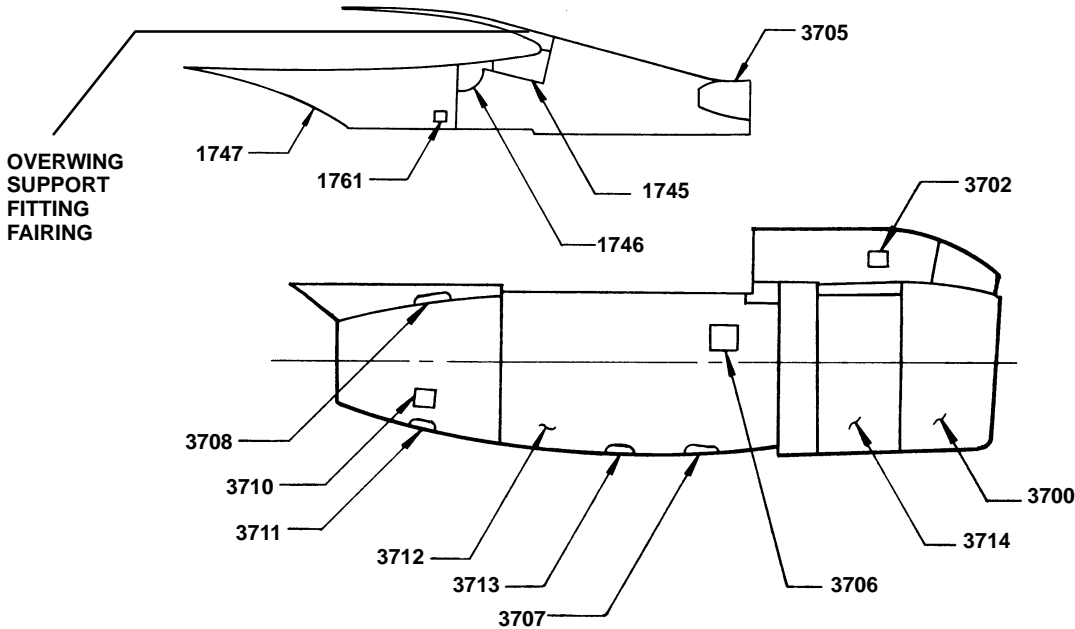
MAINT	RII/INSP

OPEN-ENG 4

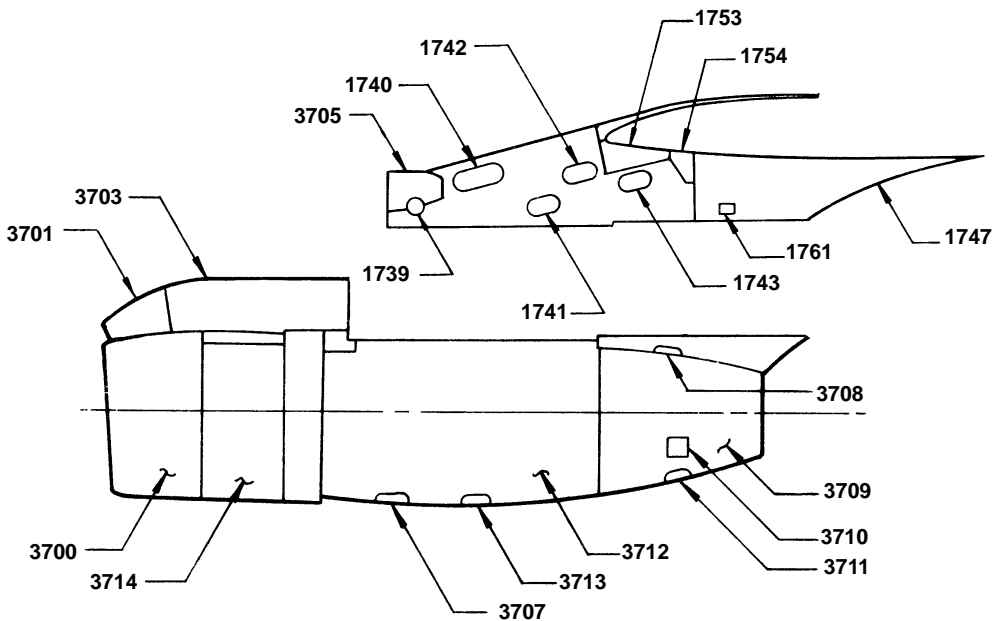
<b>sabena</b> <b>B707</b>	Module: ENGINE 4	A/C Reg :	Check :	 <b>Q1C1000500</b> <b>Page 2 of 4</b>
	Oper. : RT-MP LC			
	Type : OPEN	Issuer : A43710	Cert.St.: 24828	
	Spec. : GENERAL	Release Date: 18.02.2002		

**OPEN-ENG 4**

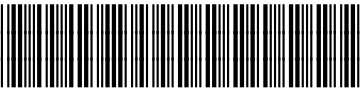
					MAINT	RII/INSP
Nr.	Hardtime	Task	Spec.	Related Documents		
1.			GEN			
<b>Check:</b> B, C, C1						
<b>Zones:</b> 454						
<b>Access:</b>						



**NO.4 NACELLE & STRUT RH VIEW**



**NO.4 NACELLE & STRUT LH VIEW**

<b>sabena</b> B707	Module: ENGINE 4	A/C Reg :	Check :	
	Oper. : RT-MP LC			
	Type : OPEN	Issuer : A43710	Cert.St.: 24828	Q1C1000500
	Spec. : GENERAL	Release Date: 18.02.2002		Page 3 of 4


OPEN-ENG 4

MAINT RII/INSP

**IMPORTANT!** Also open all access panels of the lower checks !!!

A	B	C	C1	C2	S	S1	S2	DESCRIPTION	PANEL NO	OPEN
	X		X					STRUT ACCESS PANEL	1739	
	X	X	X					STRUT ACCESS PANEL	1740	
	X		X					STRUT ACCESS PANEL	1741	
	X		X					STRUT ACCESS PANEL	1742	
	X		X					STRUT ACCESS PANEL	1743	
	X		X					STRUT TO WING ACCESS PANEL	1745	
	X		X					STRUT FITTING ACCESS PANEL	1746	
	X		X					STRUT TRAILING EDGE FAIRING	1747	
	X		X					STRUT TO WING ACCESS PANEL	1753	
	X		X					STRUT FITTING ACCESS PANEL	1754	
								ACCESS PANEL	1761	
								ENGINE NOSE COWL	3700	
								NACELLE, FWD INLET FAIRING	3701	
	X							OIL ACCESS DOOR	3702	
	X	X	X					FWD FAIRING	3703	
			X					SADDLE FAIRING	3705	
								ENGINE OIL ACCESS DOOR	3706	
								ENGINE SURGE BLEED DOOR	3707	
	X							AFT ACCESS DOOR	3708L	
	X							AFT ACCESS DOOR	3708R	

OPEN-ENG 4

<b>sabena</b> B707	Module: ENGINE 4	A/C Reg :	Check :	
	Oper. : RT-MP LC			
	Type : OPEN	Issuer : A43710	Cert.St.: 24828	Q1C1000500
	Spec. : GENERAL	Release Date: 18.02.2002		Page 4 of 4

OPEN-ENG 4

MAINT RII/INSP

**IMPORTANT!** Also open all access panels of the lower checks !!!

A	B	C	C1	C2	S	S1	S2	DESCRIPTION	PANEL NO	OPEN
								THRUST REVERSER SLEEVE	3709	
X								THRUST REVERSER SIDE ACCESS SIDE	3710L	
X								THRUST REVERSER SIDE ACCESS SIDE	3710R	
X								THRUST REVERSER LWR ACCESS DOOR	3711	
X		X						AFT COWL PANEL	3712L	
X		X						AFT COWL PANEL	3712R	
								PRESSURE VENTING DOOR	3713	
X								FWD COWL PANEL	3714L	
X								FWD COWL PANEL	3714R	
X								OVERWING SUPPORT FITTING FAIRING	SEE FIG	

OPEN-ENG 4