



sabena [®] B707	Module: ENGINE 4	A/C Reg :	Check :	
	Oper. : RT-MP LC			
	Type : CLOSE	Issuer : A43710	Cert.St.: 24828	Q1L2000500
	Spec. : GENERAL	Release Date: 18.02.2002		Page 1 of 4

CLOSE-ENG 4

Execution / Start Date:	
End Date:	

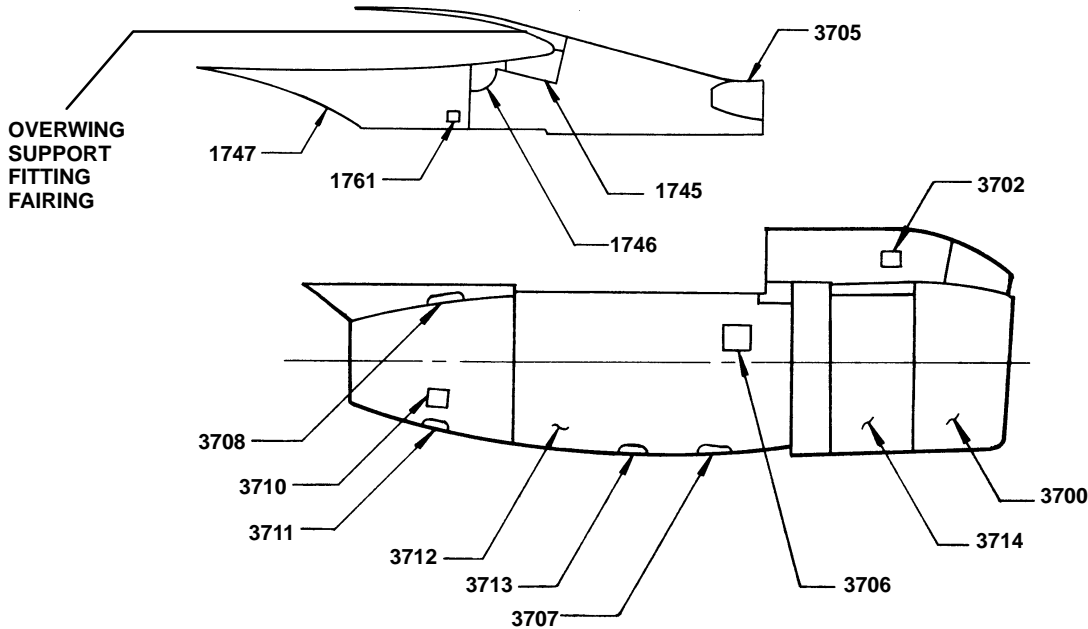
MAINT	RII/INSP

CLOSE-ENG 4

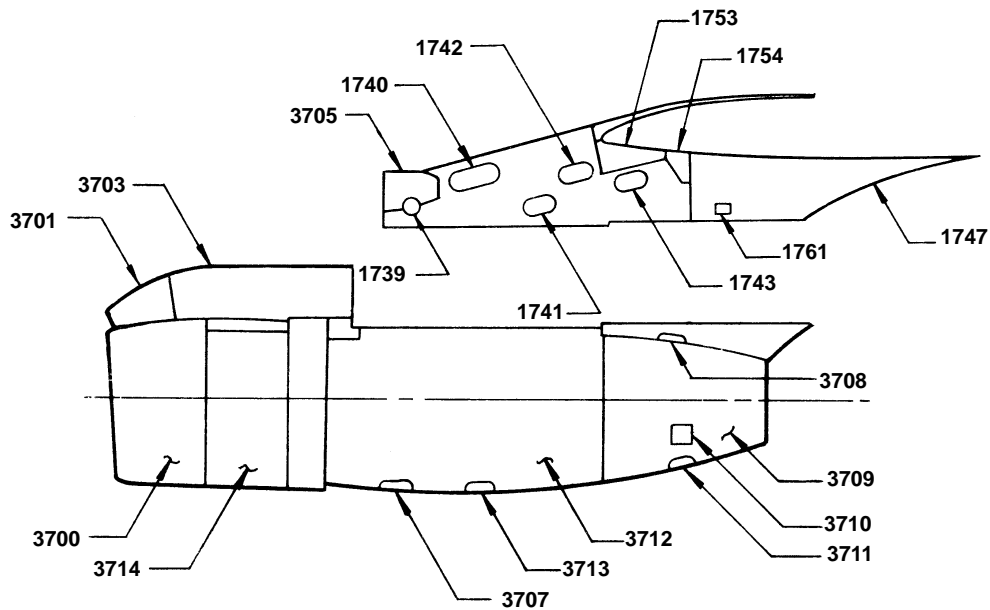
sabena B707	Module: ENGINE 4	A/C Reg :	Check :	 Q1L2000500 Page 2 of 4
	Oper. : RT-MP LC			
	Type : CLOSE	Issuer : A43710	Cert.St.: 24828	
	Spec. : GENERAL	Release Date: 18.02.2002		

CLOSE-ENG 4

					MAINT	RII/INSP
Nr.	Hardtime	Task	Spec.	Related Documents		
1.			GEN			
Check: B, C, C1						
Zones: 454						
Access:						




NO.4 NACELLE & STRUT RH VIEW



NO.4 NACELLE & STRUT LH VIEW

CLOSE-ENG 4

sabena B707	Module: ENGINE 4	A/C Reg :	Check :	
	Oper. : RT-MP LC			
	Type : CLOSE	Issuer : A43710	Cert.St.: 24828	Q1L2000500
	Spec. : GENERAL	Release Date: 18.02.2002		Page 3 of 4


CLOSE-ENG 4

MAINT RII/INSP

IMPORTANT! Also close all access panels of the lower checks !!!

A	B	C	C1	C2	S	S1	S2	DESCRIPTION	PANEL NO	OK TO CLOSE	CLOSE
	X		X					STRUT ACCESS PANEL	1739		
	X	X	X					STRUT ACCESS PANEL	1740		
	X		X					STRUT ACCESS PANEL	1741		
	X		X					STRUT ACCESS PANEL	1742		
	X		X					STRUT ACCESS PANEL	1743		
	X		X					STRUT TO WING ACCESS PANEL	1745		
	X		X					STRUT FITTING ACCESS PANEL	1746		
	X		X					STRUT TRAILING EDGE FAIRING	1747		
	X		X					STRUT TO WING ACCESS PANEL	1753		
	X		X					STRUT FITTING ACCESS PANEL	1754		
								ACCESS PANEL	1761		
								ENGINE NOSE COWL	3700		
								NACELLE, FWD INLET FAIRING	3701		
	X							OIL ACCESS DOOR	3702		
	X	X	X					FWD FAIRING	3703		
			X					SADDLE FAIRING	3705		
								ENGINE OIL ACCESS DOOR	3706		
								ENGINE SURGE BLEED DOOR	3707		
	X							AFT ACCESS DOOR	3708L		
	X							AFT ACCESS DOOR	3708R		

CLOSE-ENG 4

sabena B707	Module: ENGINE 4	A/C Reg :	Check :	
	Oper. : RT-MP LC			
	Type : CLOSE	Issuer : A43710	Cert.St.: 24828	Q1L2000500
	Spec. : GENERAL	Release Date: 18.02.2002		Page 4 of 4

CLOSE-ENG 4

MAINT RII/INSP

IMPORTANT! Also close all access panels of the lower checks !!!

A	B	C	C1	C2	S	S1	S2	DESCRIPTION	PANEL NO	OK TO CLOSE	CLOSE
								THRUST REVERSER SLEEVE	3709		
X								THRUST REVERSER SIDE ACCESS SIDE	3710L		
X								THRUST REVERSER SIDE ACCESS SIDE	3710R		
X								THRUST REVERSER LWR ACCESS DOOR	3711		
X		X						AFT COWL PANEL	3712L		
X		X						AFT COWL PANEL	3712R		
								PRESSURE VENTING DOOR	3713		
X								FWD COWL PANEL	3714L		
X								FWD COWL PANEL	3714R		
X								OVERWING SUPPORT FITTING FAIRING	SEE FIG		

CLOSE-ENG 4