



sabena [®] B707	Module: PYLON 1	A/C Reg :	Check :	
	Oper. : RT-MP LC			
	Type : STRUCT-INSP	Issuer : A59513	Cert.St.: 46928	S1F3000503
Spec. : MECH. INSP	Release Date: 23.11.2005		Page 1 of 4	

AD 85-12-01 rev . PYLON 1 OUTB VERT SUP FTG INSP

		MAINT	RII/INSP
Execution / Start Date:			
End Date:			

AD 85-12-01 rev . PYLON 1 OUTB VERT SUP FTG INSP

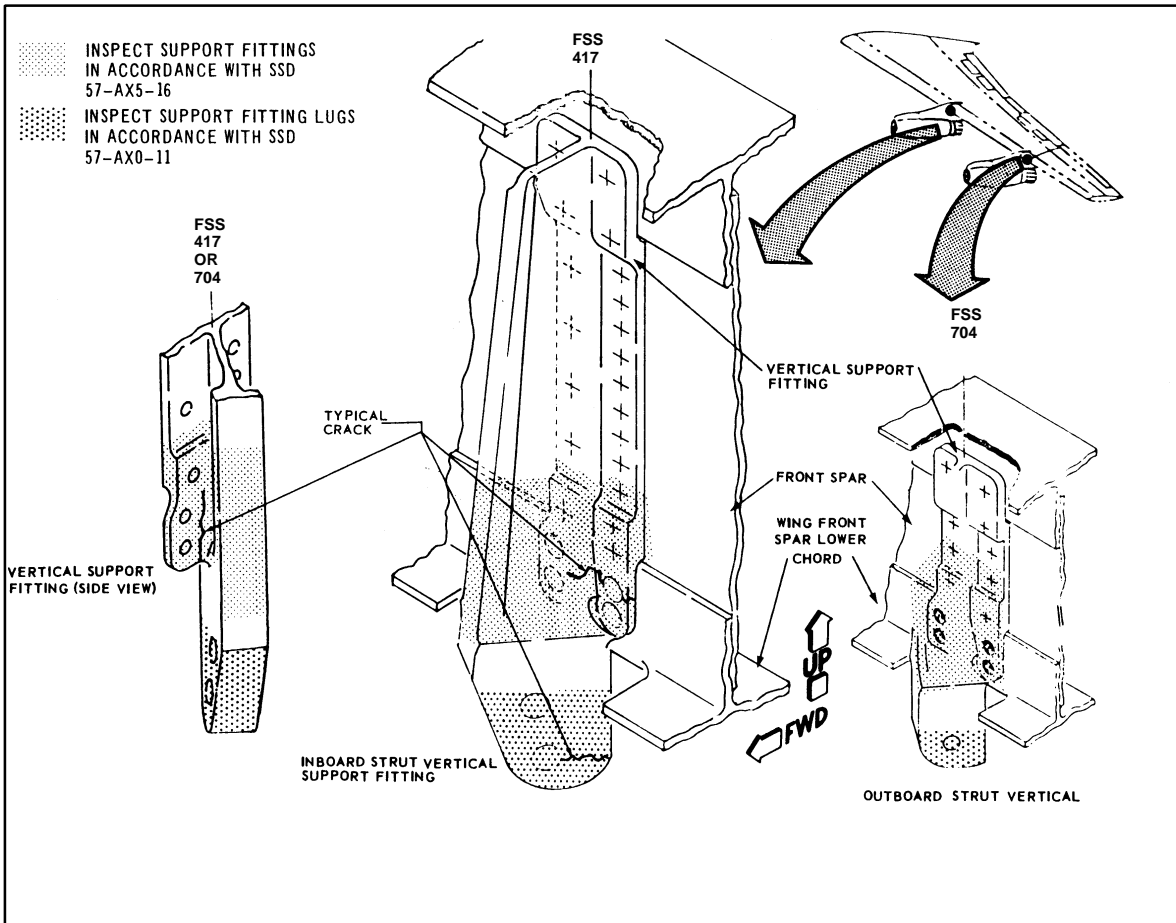
sabena B707	Module: PYLON 1	A/C Reg :	Check :	 S1F3000503
	Oper. : RT-MP LC	Issuer : A59513	Cert.St.: 46928	
	Type : STRUCT-INSP	Release Date: 23.11.2005		
Spec. : MECH. INSP				


AD 85-12-01 rev . PYLON 1 OUTB VERT SUP FTG INSP

					MAINT	RII/INSP
Nr.	Hardtime	Task	Spec.	Related Documents		
1.	19980 CYC	E3	INS	AD 85-12-01 R1 rev 5439 MMS-328 544170 04000 rev 15.07.05 SB 57-3366 rev . SSID 57-A40-011/A rev M		
Check: B						
Zones: 455						
Access: 1746, 1747, 1754						
NRC YES <input type="radio"/> NO <input type="radio"/>		IF YES, NUMBER(S):				

PYLON 1 OUTBOARD VERTICAL SUPPORT FITTING INSPECTION.

Nacelle outboard vertical support fitting, inboard and outboard: Close visual internal inspection of vertical support lugs for cracks to the forward drag fitting.



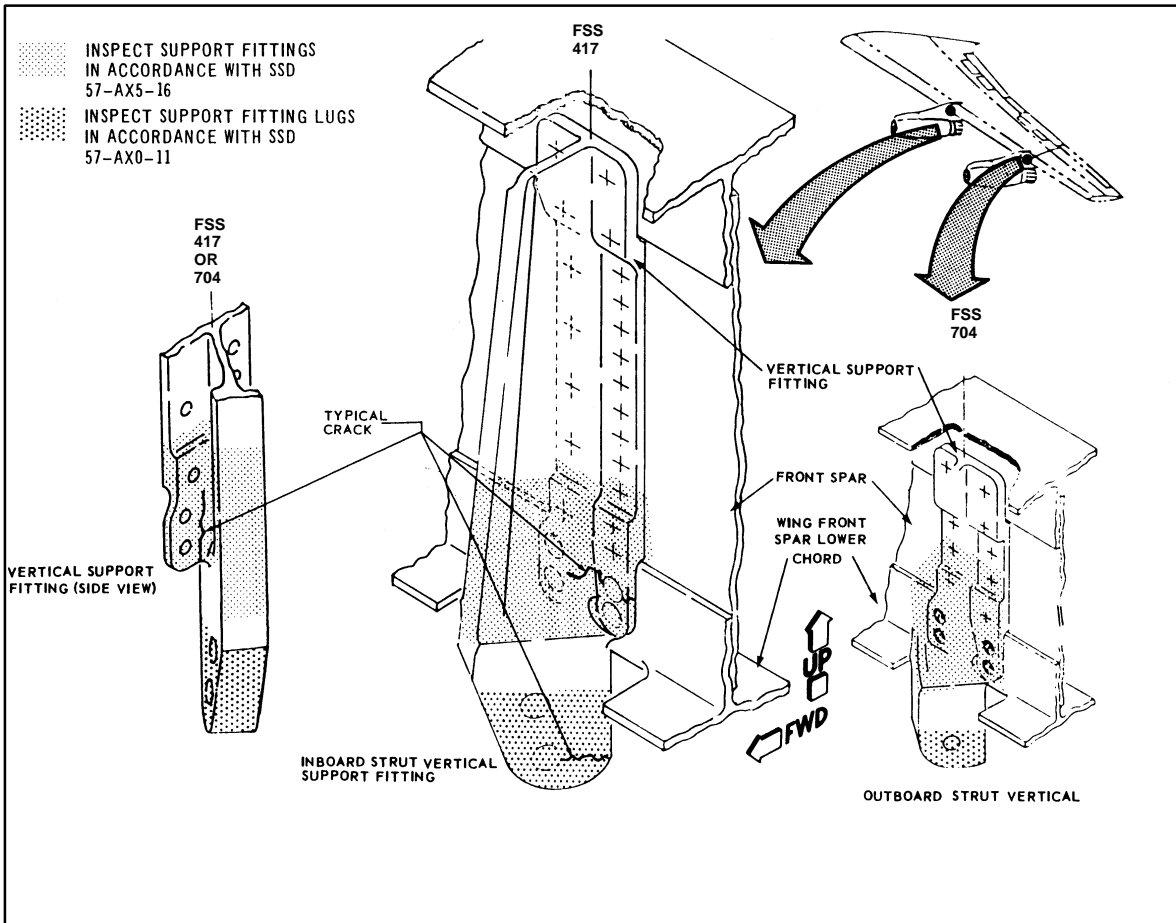
sabena B707	Module: PYLON 1	A/C Reg :	Check :	 S1F3000503
	Oper. : RT-MP LC	Issuer : A59513	Cert.St.: 46928	
	Type : STRUCT-INSP	Release Date: 23.11.2005		
Spec. : MECH. INSP				


AD 85-12-01 rev . PYLON 1 OUTB VERT SUP FTG INSP

					MAINT	RII/INSP
Nr.	Hardtime	Task	Spec.	Related Documents		
2.	20014 CYC	E3	INS	AD 85-12-01 R1 rev 5439 MMS-328 544170 04000 rev 15.07.05 SB 57-3366 rev . SSID 57-A40-011/A rev M		
Check: B						
Zones: 455						
Access: 1746, 1747, 1754						
NRC YES <input type="radio"/> NO <input type="radio"/>		IF YES, NUMBER(S):				

PYLON 1 OUTBOARD VERTICAL SUPPORT FITTING INSPECTION.

Nacelle outboard vertical support fitting, inboard and outboard: Close visual internal inspection of vertical support lugs for cracks to the forward drag fitting.



sabena B707	Module: PYLON 1	A/C Reg :	Check :	 S1F3000503
	Oper. : RT-MP LC	Issuer : A59513	Cert.St.: 46928	
	Type : STRUCT-INSP	Release Date: 23.11.2005		
Spec. : MECH. INSP				

AD 85-12-01 rev . PYLON 1 OUTB VERT SUP FTG INSP

					MAINT	RII/INSP
Nr.	Hardtime	Task	Spec.	Related Documents		
3.		E3	INS	AD 85-12-01 R1 rev 5439 MMS-328 544170 04000 rev 15.07.05 SB 57-3366 rev . SSID 57-A40-011/A rev M		
Check: B						
Zones: 455						
Access: 1746, 1747, 1754						
NRC YES <input type="radio"/> NO <input type="radio"/>		IF YES, NUMBER(S):				

PYLON 1 OUTBOARD VERTICAL SUPPORT FITTING INSPECTION.

Nacelle outboard vertical support fitting, inboard and outboard: Close visual internal inspection of vertical support lugs for cracks to the forward drag fitting.

