




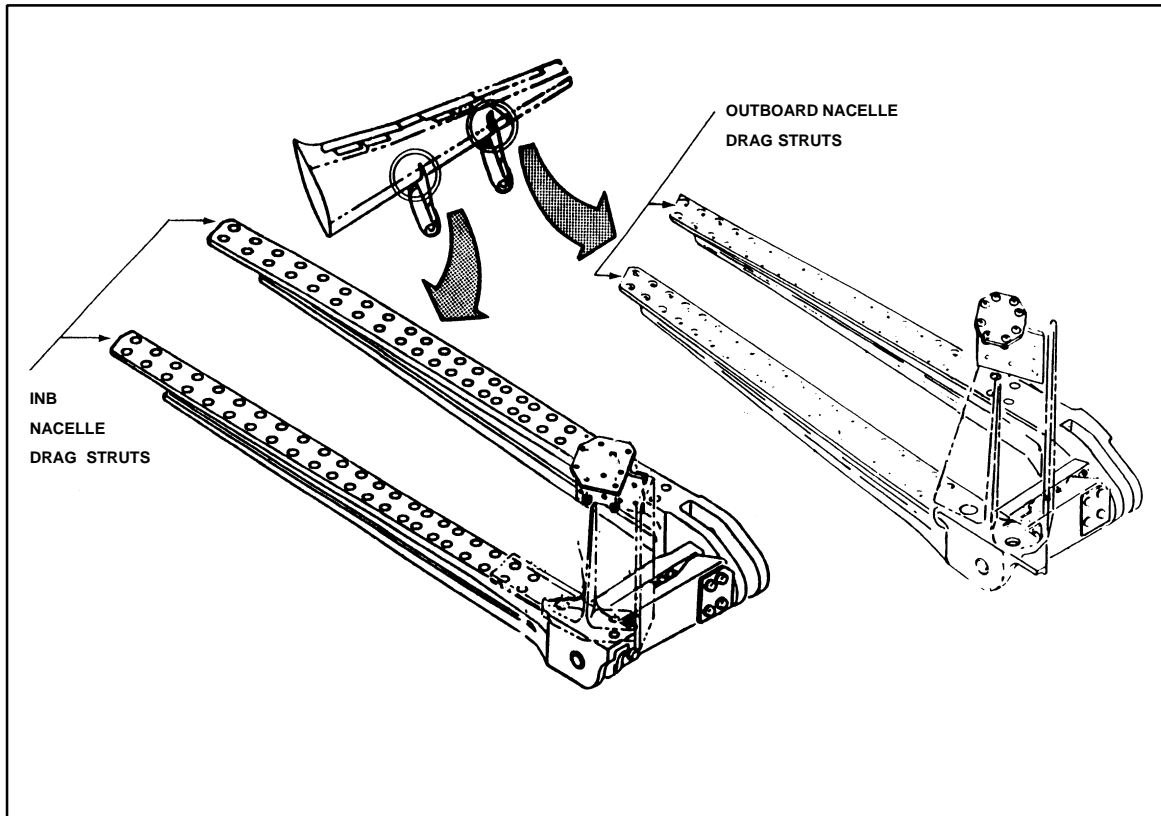
|                              |                          |                 |                    |  |
|------------------------------|--------------------------|-----------------|--------------------|--|
| <b>sabena</b><br><b>B707</b> | Module: PYLON 1          | A/C Reg :       | Check :            |  |
|                              | Oper. : RT-MP LC         |                 |                    |  |
|                              | Type : STRUCT-INSP       | Issuer : A59513 | Cert.St.: 46928    | <b>S1F3000505</b>  |
| Spec. : MECH. INSP           | Release Date: 23.11.2005 |                 | <b>Page 2 of 4</b> |  |


AD 85-12-01 rev . PYLON 1 FWD DRAG SUP FTG INSP

|  |           |                    |       |  | MAINT | RII/INSP |
|--|-----------|--------------------|-------|--|-------|----------|
| Nr.  | Hardtime  | Task               | Spec. | Related Documents  |       |          |
| 1.   | 19980 CYC | E3                 | INS   | AD 85-12-01 R1 rev 5439<br>MMS-328 544170 05000 rev 15.07.05<br>SSID 57-A40-12/A rev M |       |          |
| <b>Check:</b> B  |           |                    |       |  |       |          |
| <b>Zones:</b> 455                                      |           |                    |       |  |       |          |
| <b>Access:</b> 1747                                    |           |                    |       |  |       |          |
| NRC YES <input type="radio"/> NO <input type="radio"/> |           | IF YES, NUMBER(S): |       |  |       |          |

**PYLON ENG #1 FWD DRAG SUPPORT FITTING INSPECTION.**

Fwd drag support fitting: Close visual, internal inspection of both inboard and outboard drag support fittings for cracks, paying particular attention to the lugs and to the connection at the front spar support fitting.



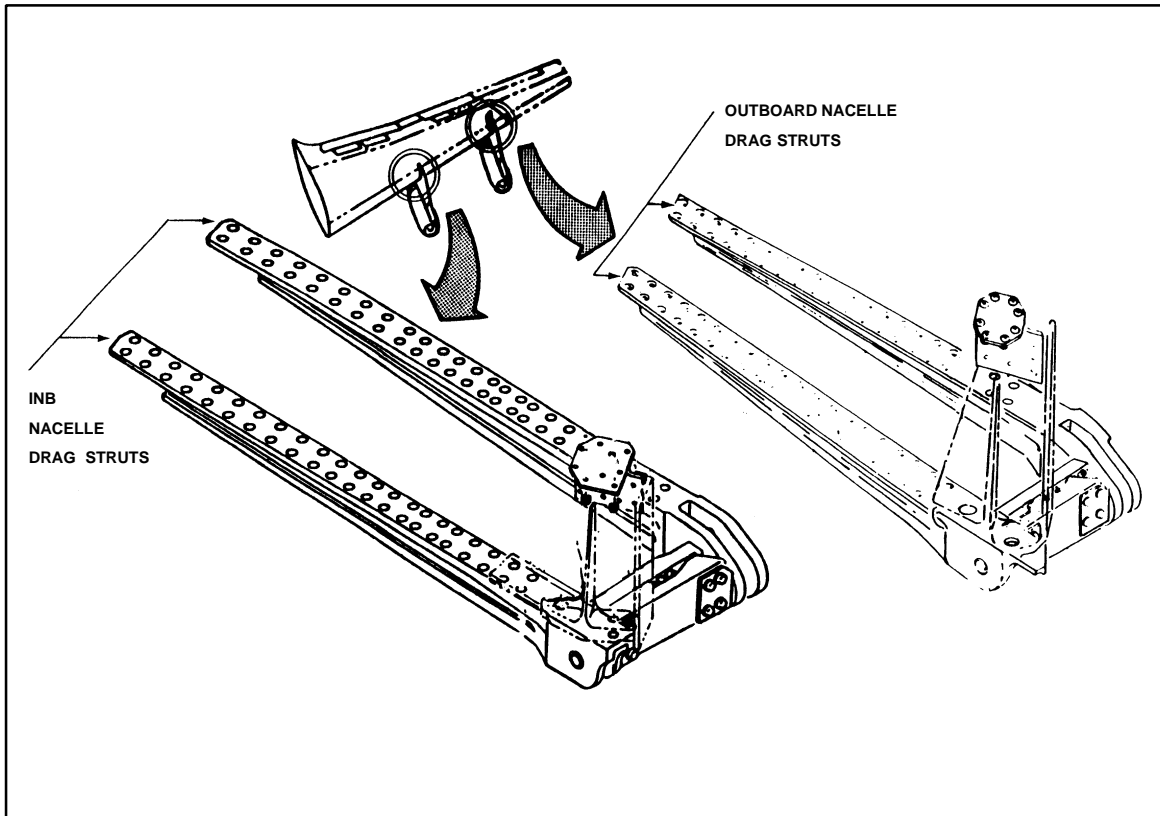
|                              |                    |                          |                 |   |
|------------------------------|--------------------|--------------------------|-----------------|---|
| <b>sabena</b><br><b>B707</b> | Module: PYLON 1    | A/C Reg :                | Check :         | <br><b>S1F3000505</b><br><b>Page 3 of 4</b> |
|                              | Oper. : RT-MP LC   | Issuer : A59513          | Cert.St.: 46928 |   |
|                              | Type : STRUCT-INSP | Release Date: 23.11.2005 |                 |   |
| Spec. : MECH. INSP           |                    |                          |                 |   |


AD 85-12-01 rev . PYLON 1 FWD DRAG SUP FTG INSP

|  |           |                    |       |  | MAINT | RII/INSP |
|--|-----------|--------------------|-------|--|-------|----------|
| Nr.  | Hardtime  | Task               | Spec. | Related Documents  |       |          |
| 2.   | 20014 CYC | E3                 | INS   | AD 85-12-01 R1 rev 5439<br>MMS-328 544170 05000 rev 15.07.05<br>SSID 57-A40-12/A rev M |       |          |
| Check: B   |           |                    |       |  |       |          |
| Zones: 455   |           |                    |       |  |       |          |
| Access: 1747   |           |                    |       |  |       |          |
| NRC YES <input type="radio"/> NO <input type="radio"/> |           | IF YES, NUMBER(S): |       |  |       |          |

**PYLON ENG #1 FWD DRAG SUPPORT FITTING INSPECTION.**

Fwd drag support fitting: Close visual, internal inspection of both inboard and outboard drag support fittings for cracks, paying particular attention to the lugs and to the connection at the front spar support fitting.



|                              |                          |                 |                    |  |
|------------------------------|--------------------------|-----------------|--------------------|--|
| <b>sabena</b><br><b>B707</b> | Module: PYLON 1          | A/C Reg :       | Check :            |  |
|                              | Oper. : RT-MP LC         |                 |                    |  |
|                              | Type : STRUCT-INSP       | Issuer : A59513 | Cert.St.: 46928    | <b>S1F3000505</b>  |
| Spec. : MECH. INSP           | Release Date: 23.11.2005 |                 | <b>Page 4 of 4</b> |  |

AD 85-12-01 rev .      PYLON 1 FWD DRAG SUP FTG INSP

|  |          |                    |       |  | MAINT | RII/INSP |
|--|----------|--------------------|-------|--|-------|----------|
| Nr.  | Hardtime | Task               | Spec. | Related Documents  |       |          |
| 3.   |          | E3                 | INS   | AD 85-12-01 R1 rev 5439<br>MMS-328 544170 05000 rev 15.07.04<br>SSID 57-A40-12/A rev M |       |          |
| Check:      B  |          |                    |       |  |       |          |
| Zones:      455  |          |                    |       |  |       |          |
| Access:      1747                                      |          |                    |       |  |       |          |
| NRC YES <input type="radio"/> NO <input type="radio"/> |          | IF YES, NUMBER(S): |       |  |       |          |

**PYLON ENG #1 FWD DRAG SUPPORT FITTING INSPECTION.**

Fwd drag support fitting: Close visual, internal inspection of both inboard and outboard drag support fittings for cracks, paying particular attention to the lugs and to the connection at the front spar support fitting.

