



sabena [®] B707	Module: PYLON 2	A/C Reg :	Check :	 T1F2000503
	Oper. : RT-MP LC			
	Type : MEC-INSP	Issuer : A43710	Cert.St.: 24828	
Spec. : MECH. INSP	Release Date: 16.10.2001		Page 1 of 2	

ENG #2 ENG MOUNT INSP

Execution / Start Date:	
End Date:	

MAINT	RII/INSP

ENG #2 ENG MOUNT INSP

sabena B707	Module: PYLON 2	A/C Reg :	Check :	 T1F2000503 Page 2 of 2
	Oper. : RT-MP LC			
	Type : MEC-INSP	Issuer : A43710	Cert.St.: 24828	
	Spec. : MECH. INSP	Release Date: 16.10.2001		

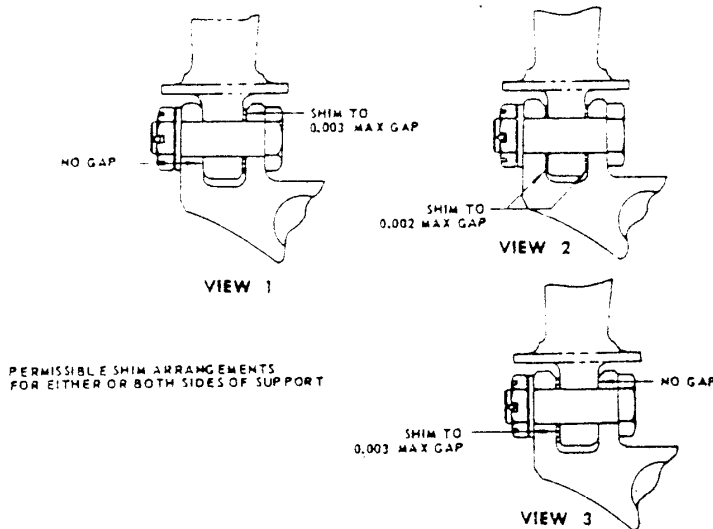
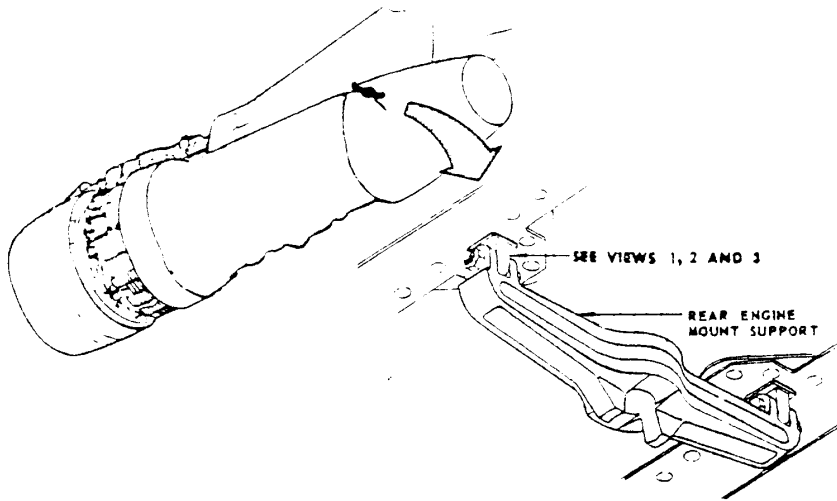
ENG #2 ENG MOUNT INSP

					MAINT	RII/INSP
Nr.	Hardtime	Task	Spec.	Related Documents		
1.		E3	INS	MMS-328 544210 11001 rev 15/05/01		
Check: C						
Zones: 456						
Access:						

CONDITION: ENGINE COWLING REMOVED.

ENGINE #2 ATTACH FITTINGS INSPECTION.

Detailed visual inspection of the rear engine support bracket .



Engine Rear Mount Support