


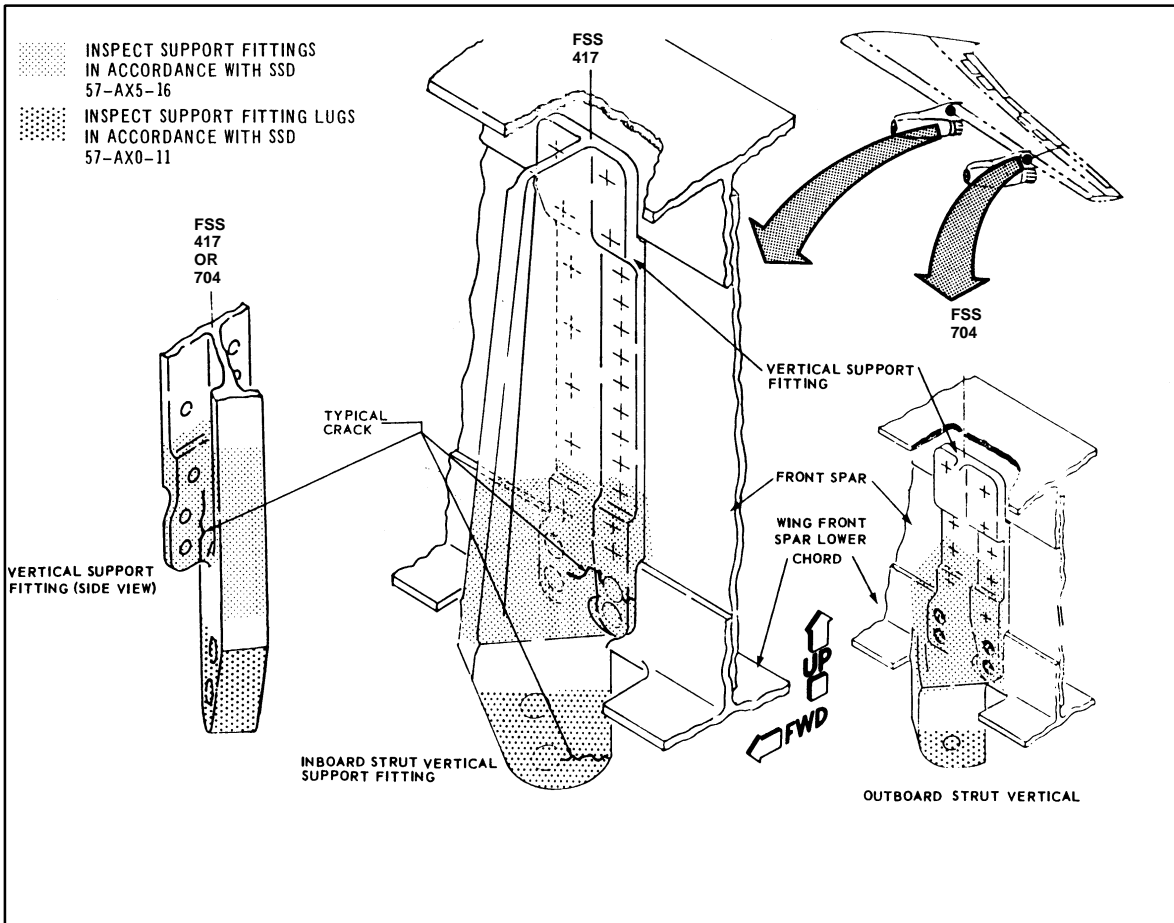
sabena B707	Module: PYLON 2	A/C Reg :	Check :	 T1F3000501 Page 2 of 4
	Oper. : RT-MP LC	Issuer : A59513	Cert.St.: 46928	
	Type : STRUCT-INSP	Release Date: 23.11.2005		
Spec. : MECH. INSP				


AD 85-12-01 rev . PYLON 2 OUTB VERT SUP FTG INSP

					MAINT	RII/INSP
Nr.	Hardtime	Task	Spec.	Related Documents		
1.	19980 CYC	E3	INS	AD 85-12-01 R1 rev 5439 MMS-328 544270 04000 rev 15.07.05 SB 57-3366 rev . SSID 57-A40-011/A rev M		
Check: B						
Zones: 456						
Access: 1713, 1715, 1722						
NRC YES <input type="radio"/> NO <input type="radio"/>		IF YES, NUMBER(S):				

PYLON 2 OUTBOARD VERTICAL SUPPORT FITTING INSPECTION.

Nacelle outboard vertical support fitting, inboard and outboard: Close visual internal inspection of vertical support lugs for cracks to the forward drag fitting.



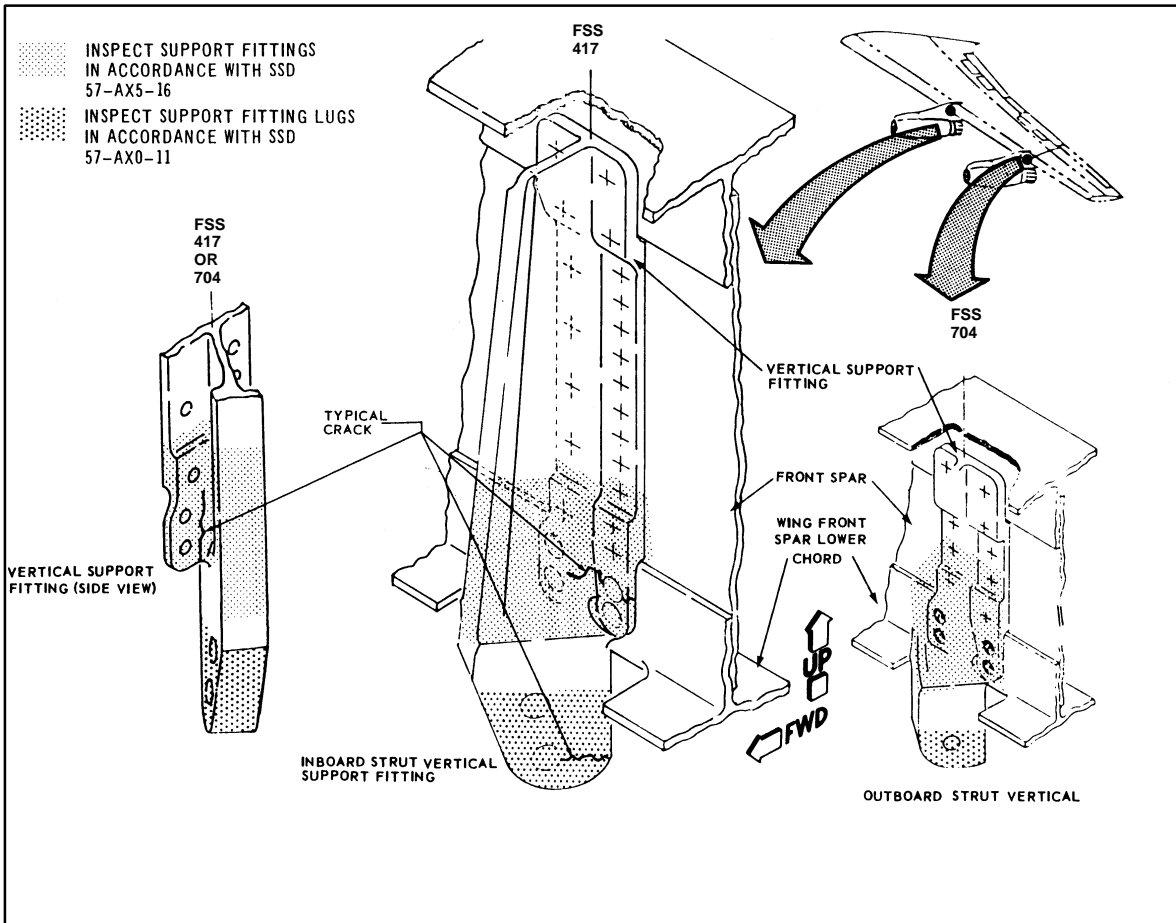
sabena B707	Module: PYLON 2	A/C Reg :	Check :	 T1F3000501
	Oper. : RT-MP LC	Issuer : A59513	Cert.St.: 46928	
	Type : STRUCT-INSP	Release Date: 23.11.2005		
Spec. : MECH. INSP				


AD 85-12-01 rev . PYLON 2 OUTB VERT SUP FTG INSP

					MAINT	RII/INSP	
Nr.	Hardtime	Task	Spec.	Related Documents			
2.	20014 CYC	E3	INS	AD 85-12-01 R1 rev 5439 MMS-328 544270 04000 rev 15.07.05 SB 57-3366 rev . SSID 57-A40-011/A rev M			
Check: B							
Zones: 455							
Access: 1746, 1747, 1754							
NRC YES <input type="radio"/> NO <input type="radio"/>		IF YES, NUMBER(S):					

PYLON 2 OUTBOARD VERTICAL SUPPORT FITTING INSPECTION.

Nacelle outboard vertical support fitting, inboard and outboard: Close visual internal inspection of vertical support lugs for cracks to the forward drag fitting.



sabena B707	Module: PYLON 2	A/C Reg :	Check :	 T1F3000501 Page 4 of 4
	Oper. : RT-MP LC	Issuer : A59513	Cert.St.: 46928	
	Type : STRUCT-INSP	Release Date: 23.11.2005		
Spec. : MECH. INSP				

AD 85-12-01 rev . PYLON 2 OUTB VERT SUP FTG INSP

					MAINT	RII/INSP
Nr.	Hardtime	Task	Spec.	Related Documents		
3.		E3	INS	AD 85-12-01 R1 rev 5439 MMS-328 544270 04000 rev 15.07.05 SB 57-3366 rev . SSID 57-A40-011/A rev M		
Check: B						
Zones: 455						
Access: 1746, 1747, 1754						
NRC YES <input type="radio"/> NO <input type="radio"/>		IF YES, NUMBER(S):				

PYLON 2 OUTBOARD VERTICAL SUPPORT FITTING INSPECTION.

Nacelle outboard vertical support fitting, inboard and outboard: Close visual internal inspection of vertical support lugs for cracks to the forward drag fitting.

