



<b>sabena</b> <sup>®</sup> <b>B707</b>	Module: PYLON 2	A/C Reg :	Check :	
	Oper. : RT-MP LC			
	Type : STRUCT-INSP	Issuer : A59513	Cert.St.: 46928	<b>T1F3000502</b>
	Spec. : MECH. INSP	Release Date: 23.11.2005		<b>Page 1 of 4</b>

AD 85-12-01 rev .                      PYLON 2 FWD DRAG SUP FTG INSP

		MAINT	RII/INSP
Execution / Start Date:			
End Date:			

AD 85-12-01 rev .                      PYLON 2 FWD DRAG SUP FTG INSP

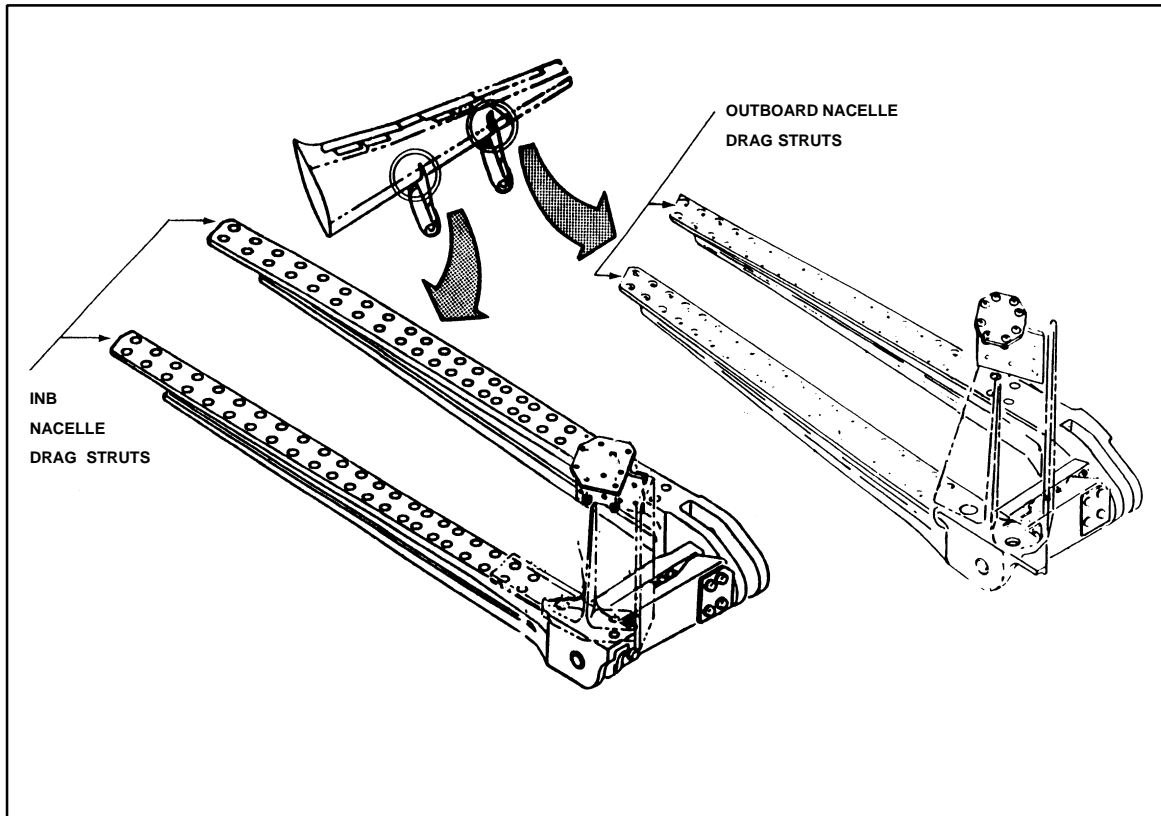
<b>sabena</b> <b>B707</b>	Module: PYLON 2	A/C Reg :	Check :	 <b>T1F3000502</b>
	Oper. : RT-MP LC	Issuer : A59513	Cert.St.: 46928	
	Type : STRUCT-INSP	Release Date: 23.11.2005	Page 2 of 4	
Spec. : MECH. INSP				


AD 85-12-01 rev . PYLON 2 FWD DRAG SUP FTG INSP

					MAINT	RII/INSP	
Nr.	Hardtime	Task	Spec.	Related Documents			
1.	19980 CYC	E3	INS	AD 85-12-01 R1 rev 5439 MMS-328 544270 05000 rev 15.07.05 SSID 57-A40-12/A rev M			
<b>Check:</b> B							
<b>Zones:</b> 456							
<b>Access:</b> 1715							
NRC YES <input type="radio"/> NO <input type="radio"/>		IF YES, NUMBER(S):					

**PYLON ENG #2 FWD DRAG SUPPORT FITTING INSPECTION.**

Fwd drag support fitting: Close visual, internal inspection of both inboard and outboard drag support fittings for cracks, paying particular attention to the lugs and to the connection at the front spar support fitting.



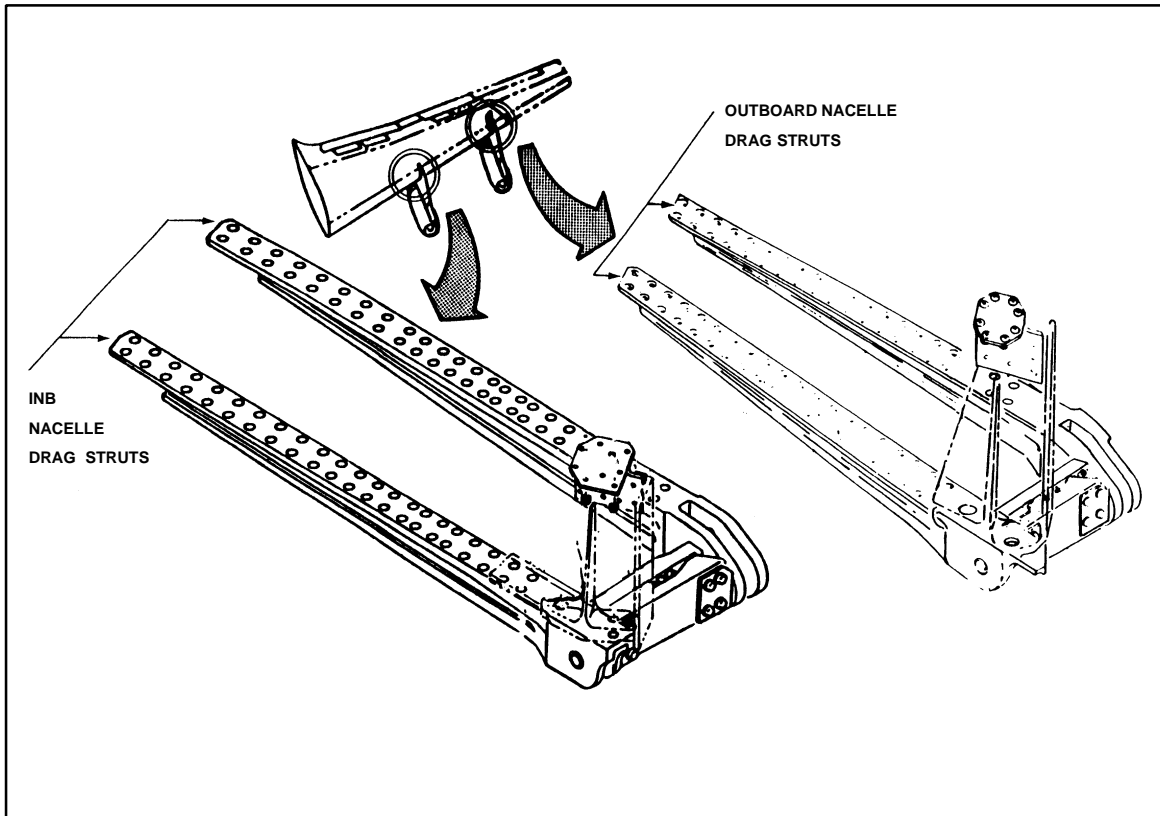
<b>sabena</b> <b>B707</b>	Module: PYLON 2	A/C Reg :	Check :	 <b>T1F3000502</b>
	Oper. : RT-MP LC	Issuer : A59513	Cert.St.: 46928	
	Type : STRUCT-INSP	Release Date: 23.11.2005	<b>Page 3 of 4</b>	
Spec. : MECH. INSP				


AD 85-12-01 rev .      PYLON 2 FWD DRAG SUP FTG INSP

					MAINT	RII/INSP
Nr.	Hardtime	Task	Spec.	Related Documents		
2.	20014 CYC	E3	INS	AD 85-12-01 R1 rev 5439 MMS-328 544270 05000 rev 15.07.05 SSID 57-A40-12/A rev M		
Check:      B						
Zones:      455						
Access:      1747						
NRC YES <input type="radio"/> NO <input type="radio"/>		IF YES, NUMBER(S):				

**PYLON ENG #2 FWD DRAG SUPPORT FITTING INSPECTION.**

Fwd drag support fitting: Close visual, internal inspection of both inboard and outboard drag support fittings for cracks, paying particular attention to the lugs and to the connection at the front spar support fitting.



<b>sabena</b> B707	Module: PYLON 2	A/C Reg :	Check :	 <b>T1F3000502</b>
	Oper. : RT-MP LC	Issuer : A59513	Cert.St.: 46928	
	Type : STRUCT-INSP	Release Date: 23.11.2005	Page 4 of 4	
Spec. : MECH. INSP				

AD 85-12-01 rev . PYLON 2 FWD DRAG SUP FTG INSP

					MAINT	RII/INSP
Nr.	Hardtime	Task	Spec.	Related Documents		
3.		E3	INS	AD 85-12-01 R1 rev 5439 MMS-328 544270 05000 rev 15.07.05 SSID 57-A40-12/A rev M		
Check: B						
Zones: 455						
Access: 1747						
NRC YES <input type="radio"/> NO <input type="radio"/>		IF YES, NUMBER(S):				

**PYLON ENG #2 FWD DRAG SUPPORT FITTING INSPECTION.**

Fwd drag support fitting: Close visual, internal inspection of both inboard and outboard drag support fittings for cracks, paying particular attention to the lugs and to the connection at the front spar support fitting.

