




<b>sabena</b> <b>B707</b>	Module: PYLON 2	A/C Reg :	Check :	 <b>T1F3000505</b> <b>Page 2 of 4</b>
	Oper. : RT-MP LC	Issuer : A59513	Cert.St.: 46928	
	Type : STRUCT-INSP	Release Date: 23.11.2005		
Spec. : MECH. INSP				

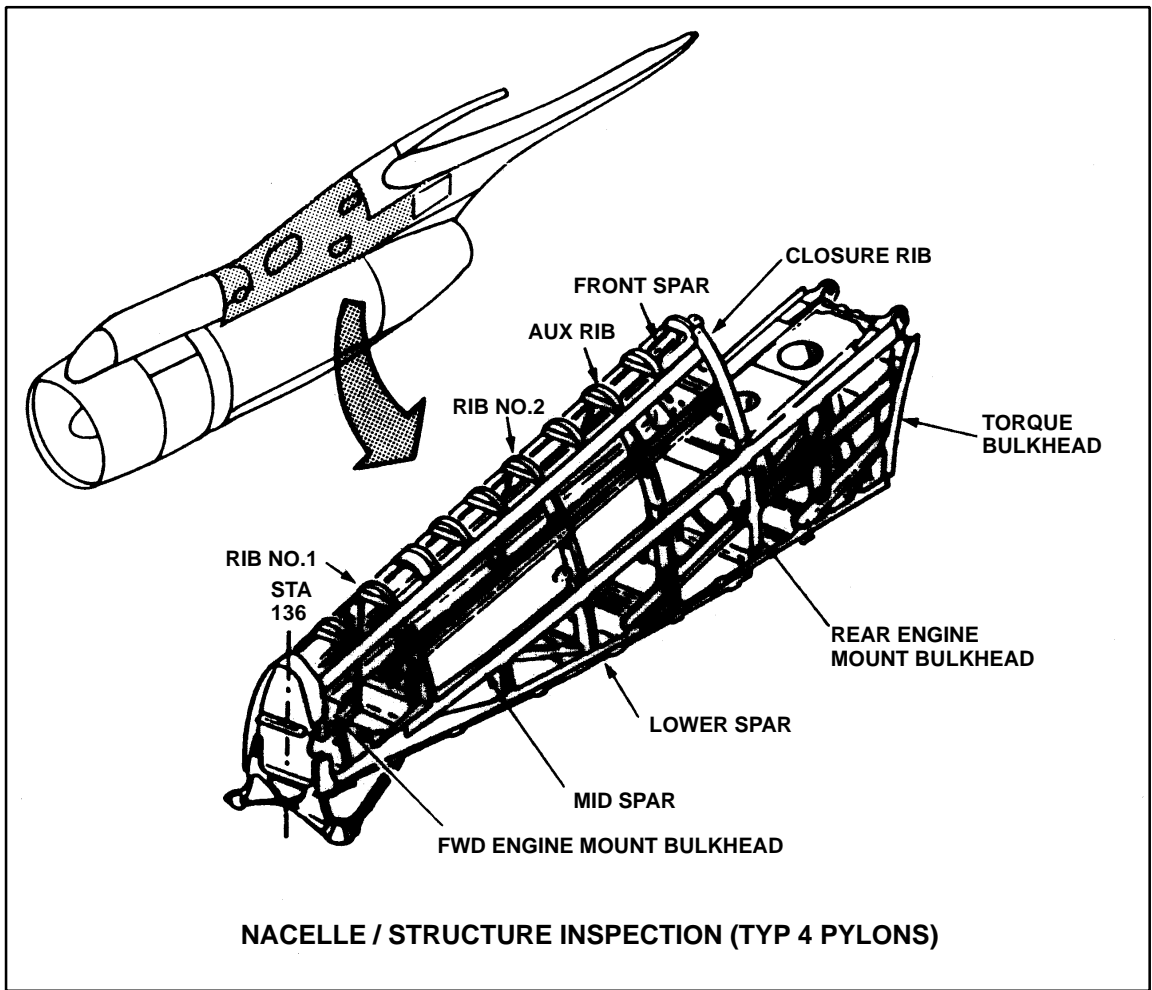
AD 85-12-01      NACELLE STRUT # 2 STRUCT INTERNAL INSP


					MAINT	RII/INSP
Nr.	Hardtime	Task	Spec.	Related Documents		
1.	19000 CYC	E3	INS	AD 85-12-01 R1 rev 5439 MMS-328 541270 01002 rev 15.07.05 SSID 54-A40-03/B rev .		
<b>Check:</b> B						
<b>Zones:</b> 456						
<b>Access:</b> 1705, 1707, 1708, 1710, 1715, 1724, 3712, 3716						
NRC YES <input type="radio"/> NO <input type="radio"/>		IF YES, NUMBER(S):				

**NACELLE / STRUT # 2 STRUCTURE:**

CLOSE VISUAL. INTERNAL:

Inspect for cracks in NACELLE FRONT, MID & LWR SPAR CHORDS, TORQUE & ENGINE SUPPORT BULKHEADS, NUMBER ONE RIB & CLOSURE RIBS.  
Especially near the STRUT & ENG SUPPORT FITTINGS.



<b>sabena</b> B707	Module: PYLON 2	A/C Reg :	Check :	 <b>T1F3000505</b> Page 3 of 4
	Oper. : RT-MP LC	Issuer : A59513	Cert.St.: 46928	
	Type : STRUCT-INSP	Release Date: 23.11.2005		
Spec. : MECH. INSP				

AD 85-12-01      NACELLE STRUT # 2 STRUCT INTERNAL INSP

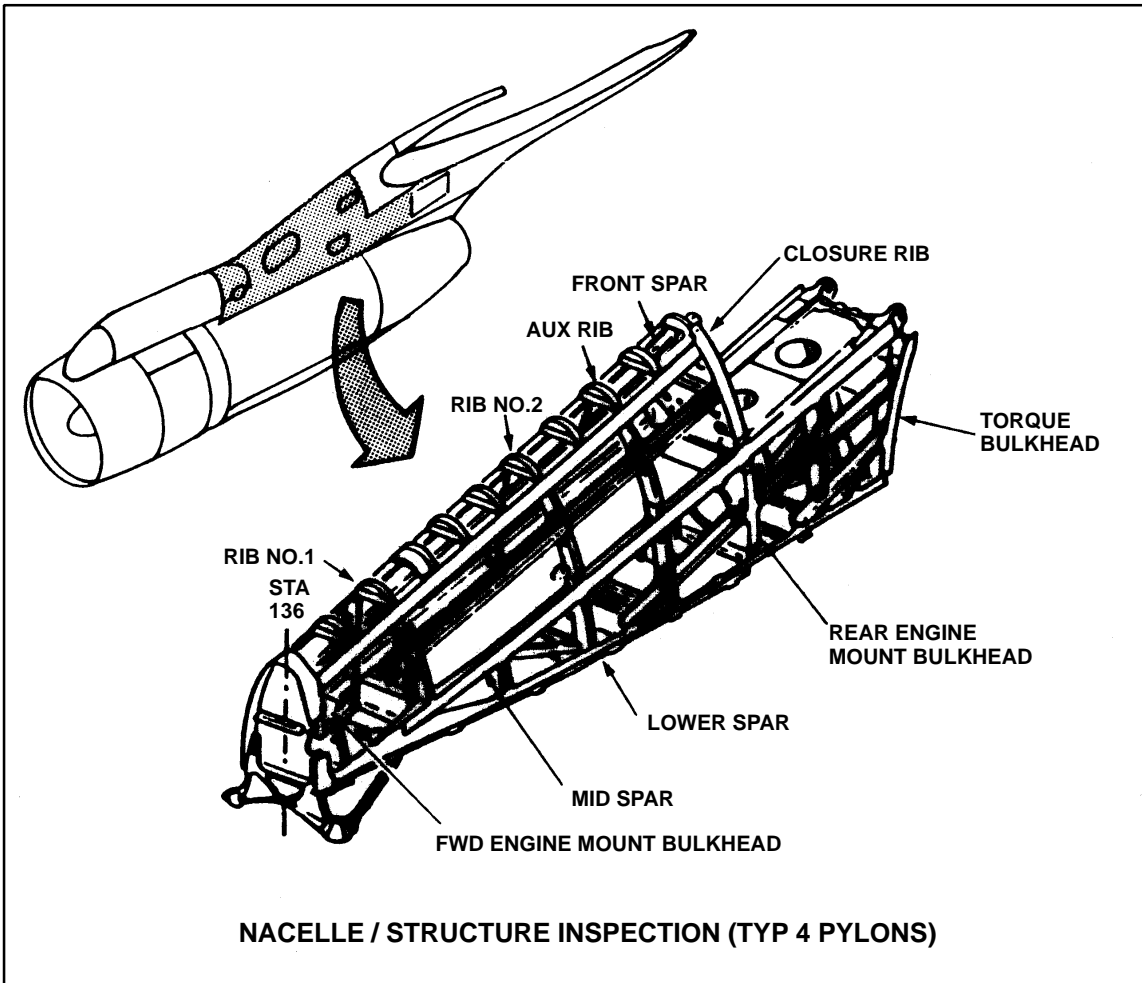
					MAINT	RII/INSP	
Nr.	Hardtime	Task	Spec.	Related Documents			
2.	19000 CYC	E3	INS	AD 85-12-01 R1 rev 5439 MMS-328 541270 01002 rev 15.07.05 SSID 54-A40-03/B rev .			
Check:      B							
Zones:      456							
Access:      1705, 1707, 1708, 1710, 1715, 1724, 3712, 3716							
NRC YES <input type="radio"/> NO <input type="radio"/>		IF YES, NUMBER(S):					

**NACELLE / STRUT # 2 STRUCTURE:**


CLOSE VISUAL, INTERNAL:

Inspect for cracks in NACELLE FRONT, MID & LWR SPAR CHORDS, TORQUE & ENGINE SUPPORT BULKHEADS, NUMBER ONE RIB & CLOSURE RIBS.

Especially near the STRUT & ENG SUPPORT FITTINGS.



NACELLE / STRUCTURE INSPECTION (TYP 4 PYLONS)

<b>sabena</b> <b>B707</b>	Module: PYLON 2	A/C Reg :	Check :	 <b>T1F3000505</b> <b>Page 4 of 4</b>
	Oper. : RT-MP LC	Issuer : A59513	Cert.St.: 46928	
	Type : STRUCT-INSP	Release Date: 23.11.2005		
Spec. : MECH. INSP				

AD 85-12-01      NACELLE STRUT # 2 STRUCT INTERNAL INSP

					MAINT	RII/INSP
Nr.	Hardtime	Task	Spec.	Related Documents		
3.		E3	INS	AD 85-12-01 R1 rev 5439 MMS-328 541270 01002 rev 15.07.05 SSID 54-A40-03/B rev .		
Check:      B						
Zones:      456						
Access:      1705, 1707, 1708, 1710, 1715, 1724, 3712, 3716						
NRC YES <input type="radio"/> NO <input type="radio"/>		IF YES, NUMBER(S):				

**NACELLE / STRUT # 2 STRUCTURE:**

CLOSE VISUAL, INTERNAL:

Inspect for cracks in NACELLE FRONT, MID & LWR SPAR CHORDS, TORQUE & ENGINE SUPPORT BULKHEADS, NUMBER ONE RIB & CLOSURE RIBS.

Especially near the STRUT & ENG SUPPORT FITTINGS.

